



NATIONAL ALUMINIUM
PRODUCTS COMPANY SAOG

Cloud 120 Catalogue



05-2023-V.03

All rights reserved.

No part of this publication may be reproduced, stored in a retrieval system or transmitted in any form or by any means electronic, mechanical, photocopying, recording or otherwise, without prior permission of NAPCO.





Index

Company Profile	5
Technical Information	6
Cloud 120	8
Cross Section	15
Accessories List	40
Profile Index	47



About Us

National Aluminium Products Company SAOG (NAPCO) was established in 1984 and is one of the leading extruders of aluminum profiles in the GCC market. Located in the Sultanate of Oman, the manufacturing plant is spread over 65,000 sq. meters in the Rusayl Industrial Estate.

NAPCO offers a wide range of aluminum profile extrusions in finishes that suit functional modern design specifications. The company has left its mark on the architectural landscape of the Middle East, with its renowned quality products being used in several prominent structures.

Our annual production capacity is 42,000 MT, with four (4) state of the art presses. The extrusion presses are complemented by one anodizing line and two powder coating lines (vertical & horizontal). NAPCO also houses two wood finish lines and a crimping and bending facility.

NAPCO's commitment to quality has made it the first extrusion company in the Gulf to receive ISO certifications. We are also the only public limited aluminum extrusion company in the entire GCC. With a consistent focus on innovative production skills and high service standards, we will continue our objective to meet customer demands and expectations.



Technical Information on Aluminium Extrusions Supplied by NAPCO

A: Equipment & Capacity

Extrusion Press: 4

2000 MT (8') SMS Germany
2800 MT (9') Danieli Breda, Italy
1800 MT (7') Tecalex, Spain
1800 MT (7') Tecalex, Spain

Powder Coating Plant: 2
Horizontal Type, Ercon, UK
Vertical Type: Transmetal, Italy

Anodizing Line: 1
SAS, Germany

Wood Finish: 2 Naturall, Italy.
Crimping & Bending Facility.

- **Current Capacity Per Annum**
Extrusion: 42,000
Powder Coating: 27,000
Anodizing: 2,400
Wood Finish: 1,500

B: General Specification

Max profile size CCD 305mm
(*indicative size)

C: Product Range

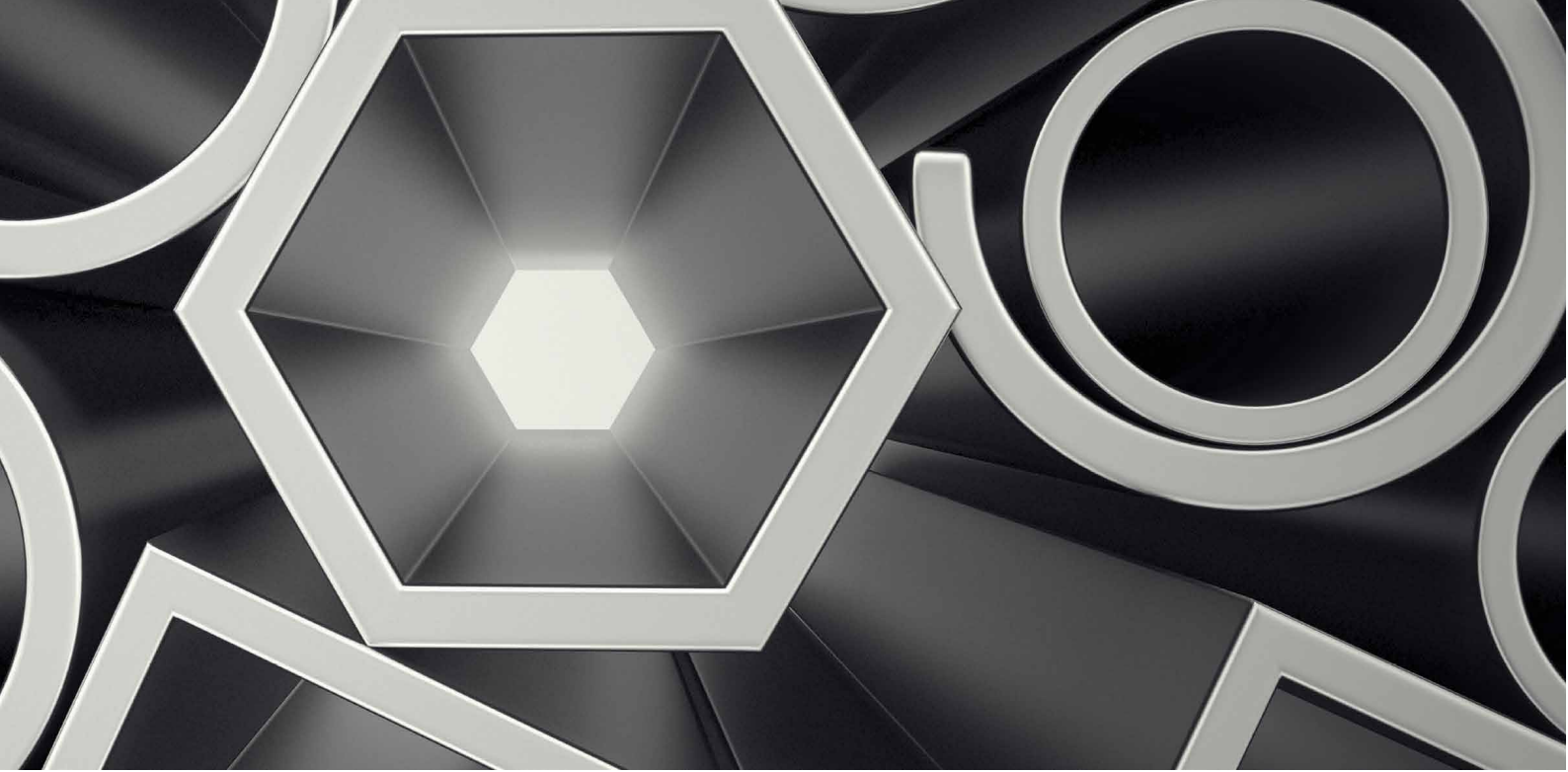
NAPCO offers a range of over 6000 profiles to suit the architectural and manufacturing industry. NAPCO also develops exclusive dies for customers against their own designs.

- **Aluminium extrusions in:**
Mill Finish
Anodized
Powder Coated and Natural Wood Finish
- **Facade Systems:**
NAPCO is in partnership with world renowned facade system houses in the GCC. Please contact us to discuss your best-fit solution.

D: Anodizing

NAPCO has one anodizing line employing Sulphuric acid anodizing process offering a wide range of color shades such as Silver, Bronze and Black with scope of developments of other shades to suit customer requirements.

Specifications: DC Sulphuric Acid Anodizing As per EN 1- 12373 and BS 1991 3987
Qualanod Approved



E: Powder Coating

NAPCO has two powder coating lines (Horizontal & Vertical) with IR curing ovens. the color coat thickness is exposed areas is around 80-60 microns. The new vertical line can accommodate profile length up to 8 meters.

Qualicoat Approved.

Naturall finish is available in seven combinations of wood patterns.

Specification: As per 6496

F: Certifications



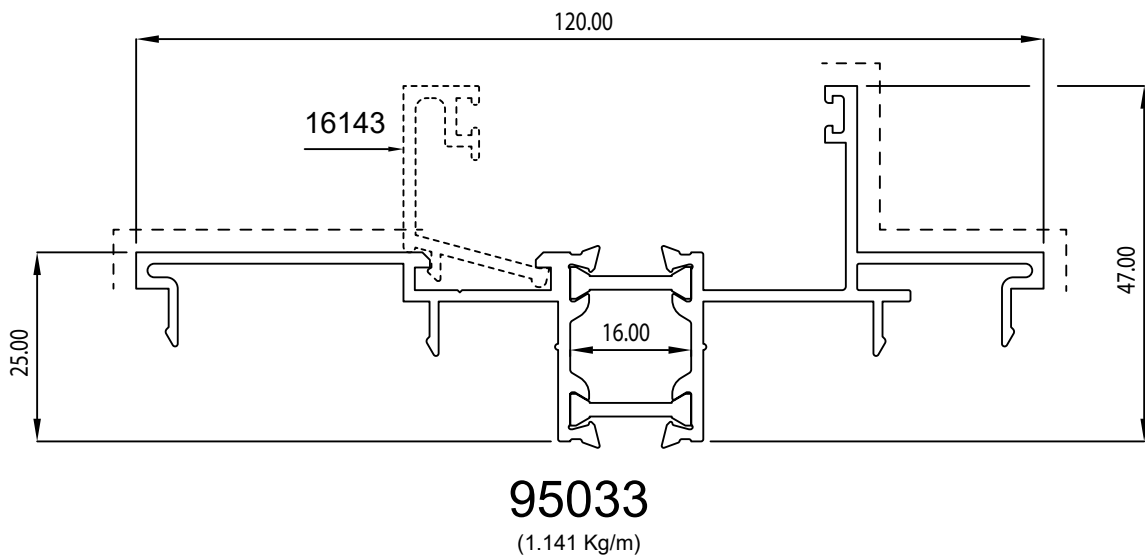
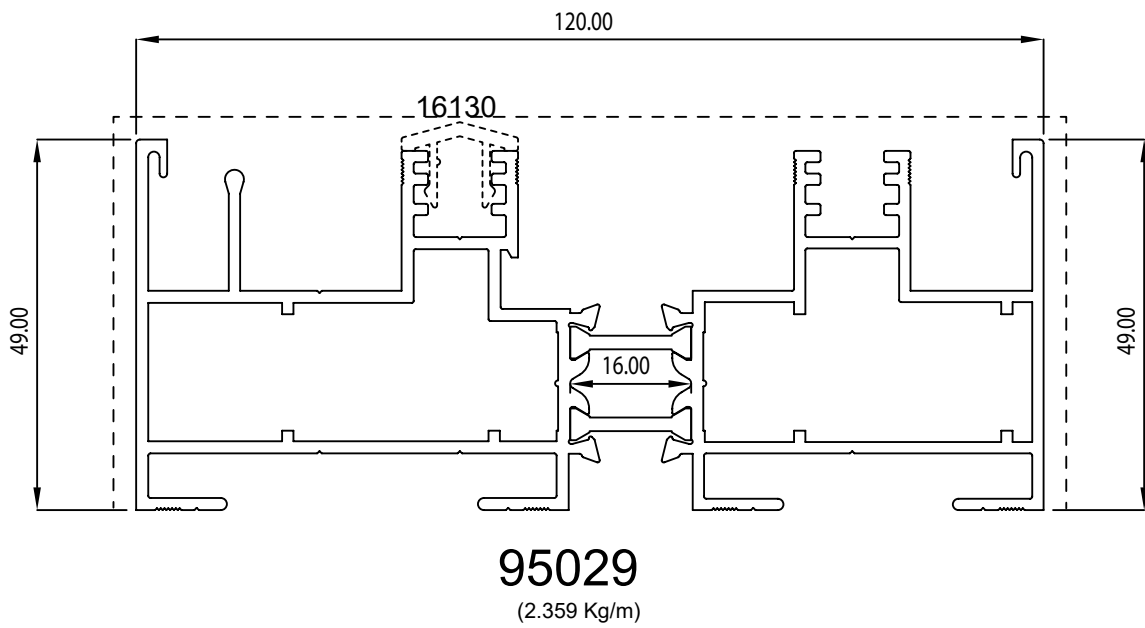
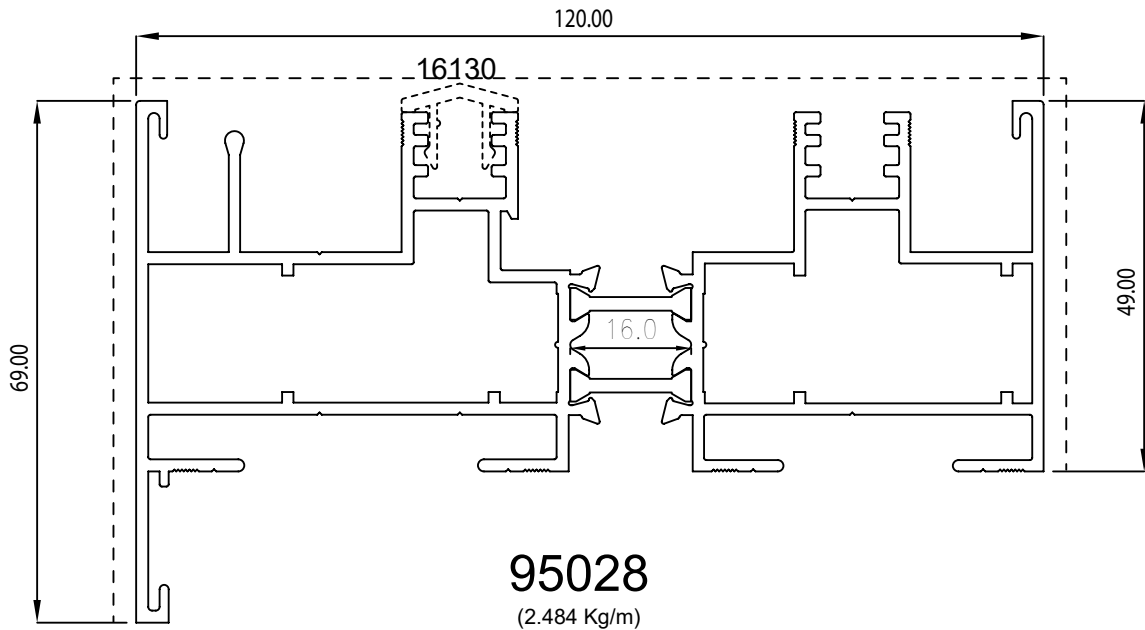
Intertek



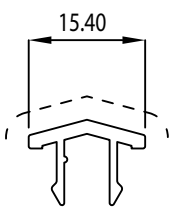
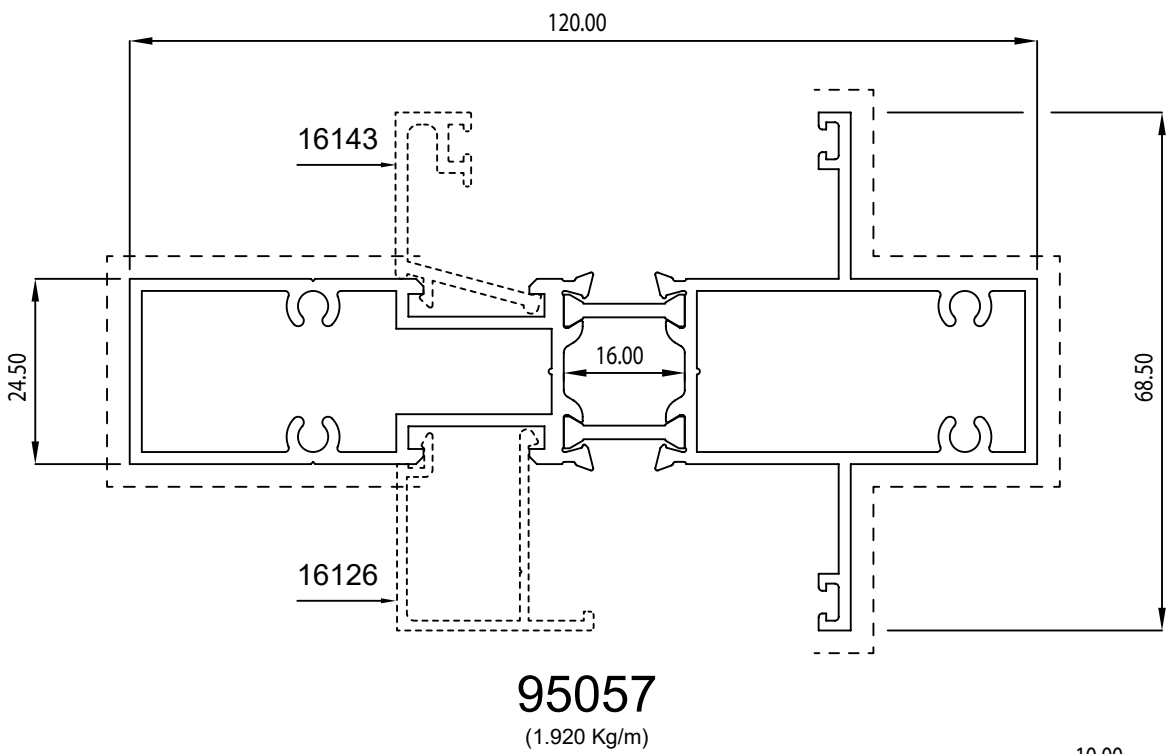
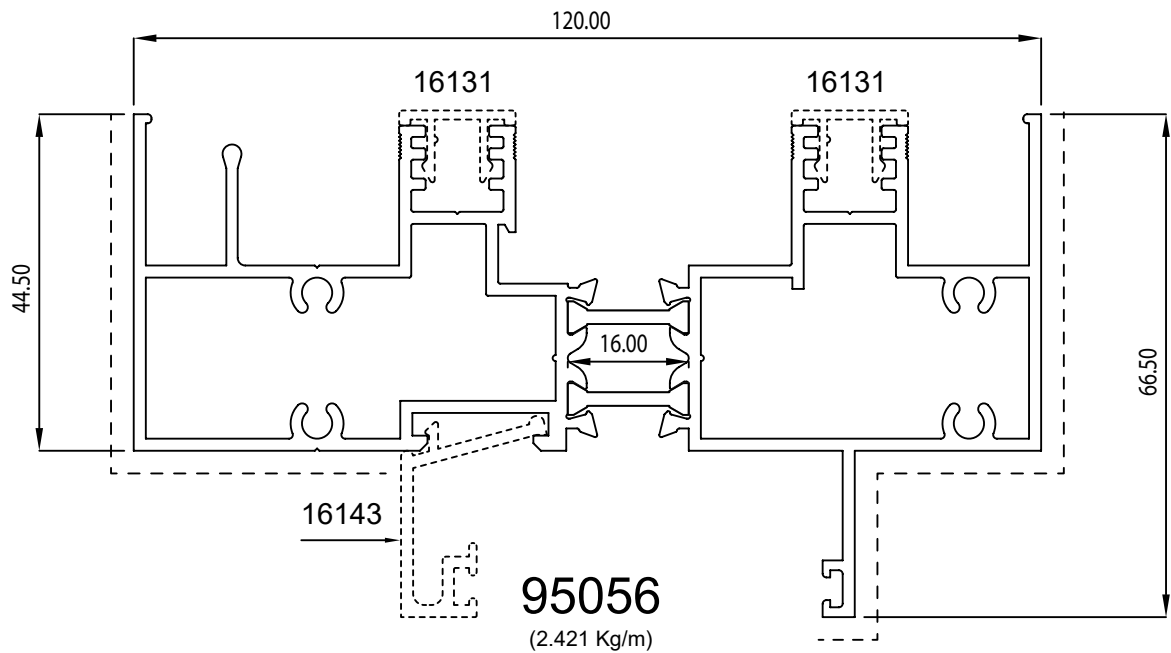
014



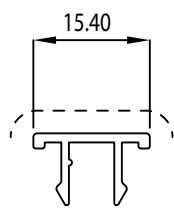




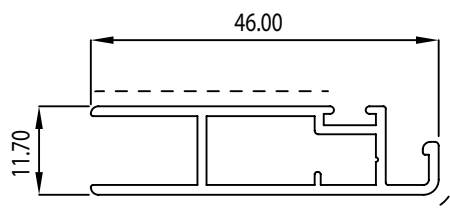
* For export, not recommended for GCC usage



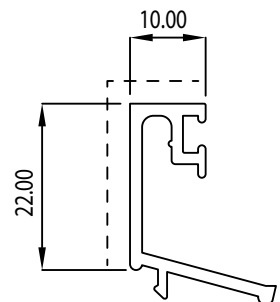
16130
(0.128 Kg/m)



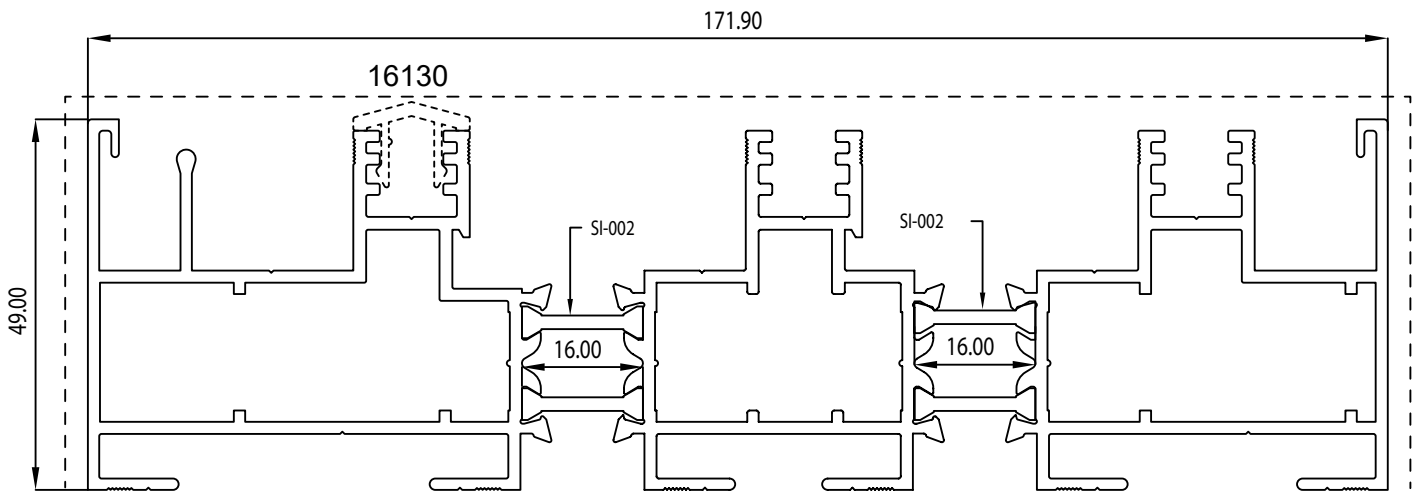
16131
(0.104 Kg/m)



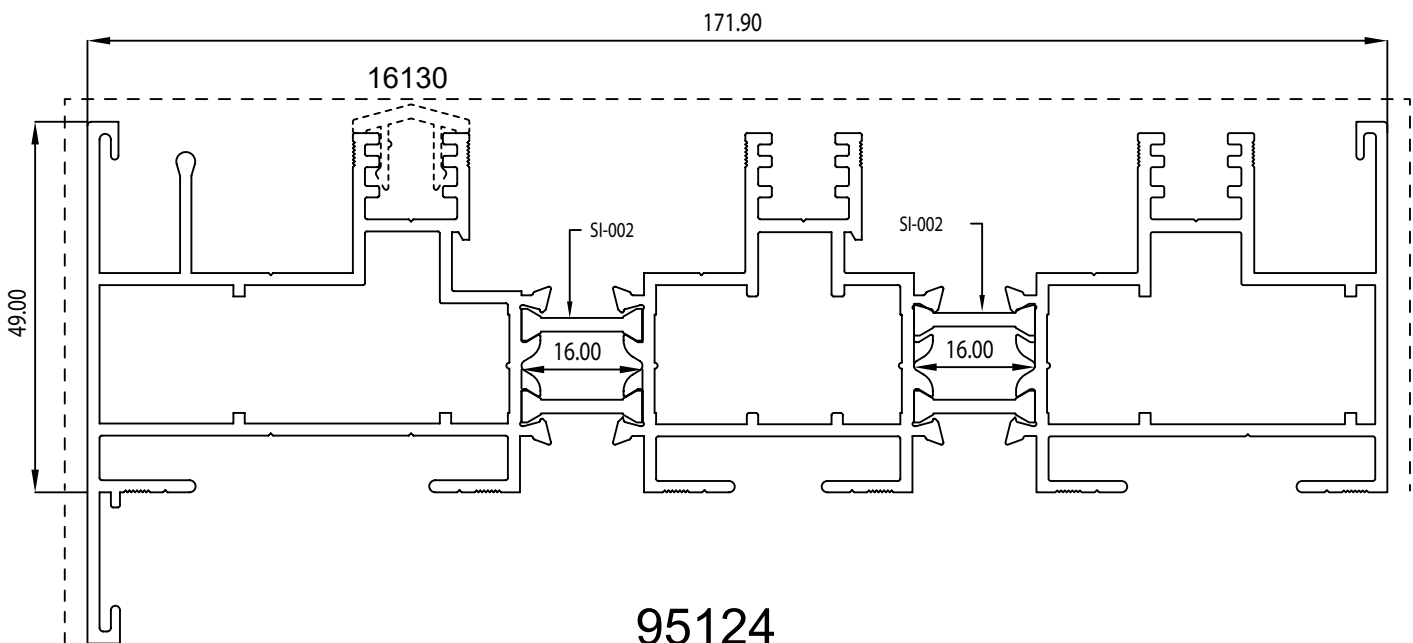
26730
(0.395 Kg/m)



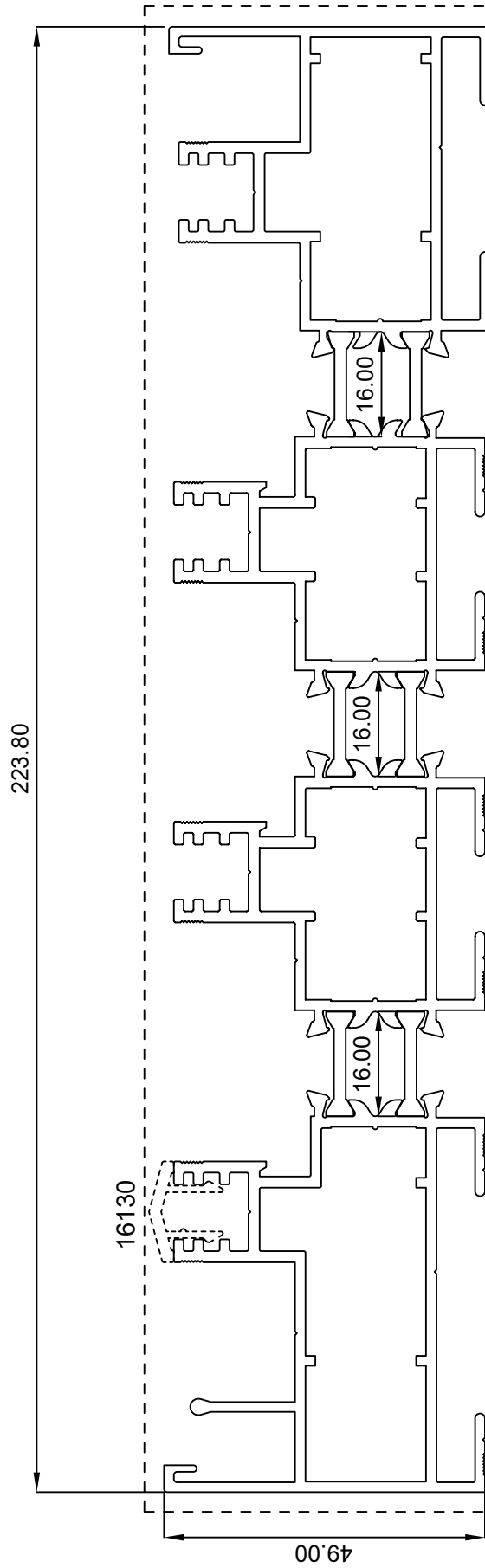
16143
(0.275 Kg/m)



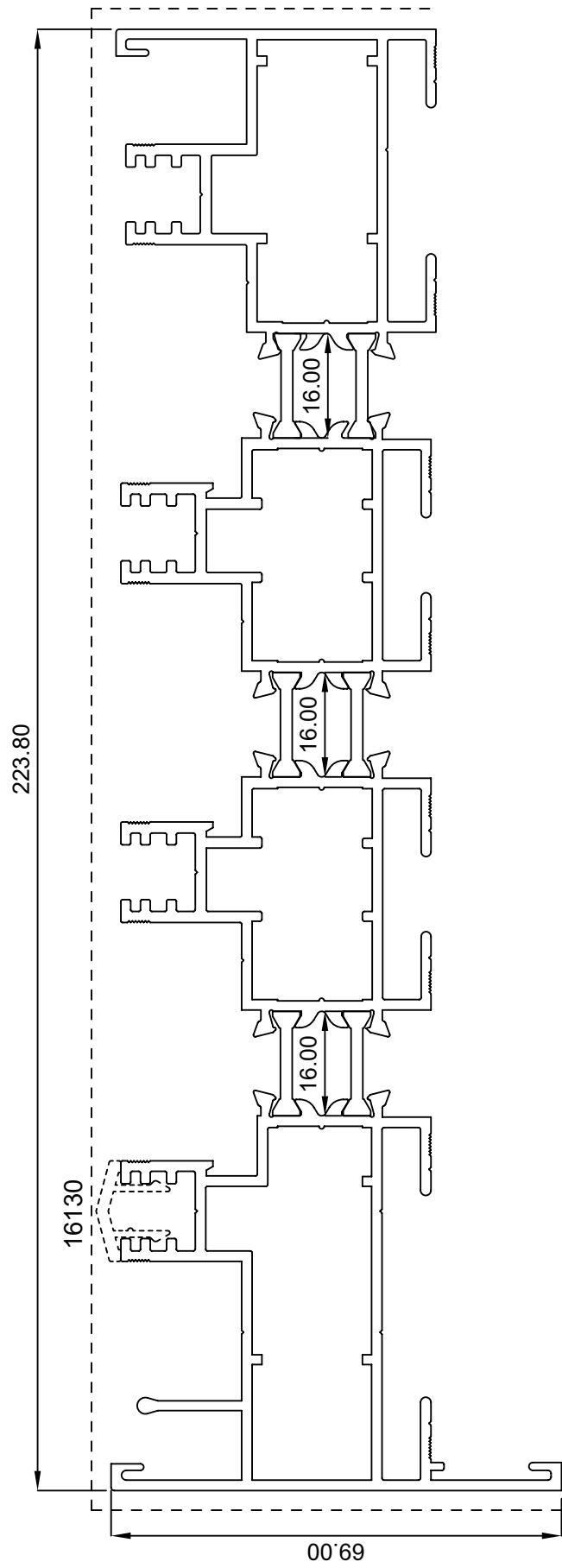
95074
(3.373 Kg/m)



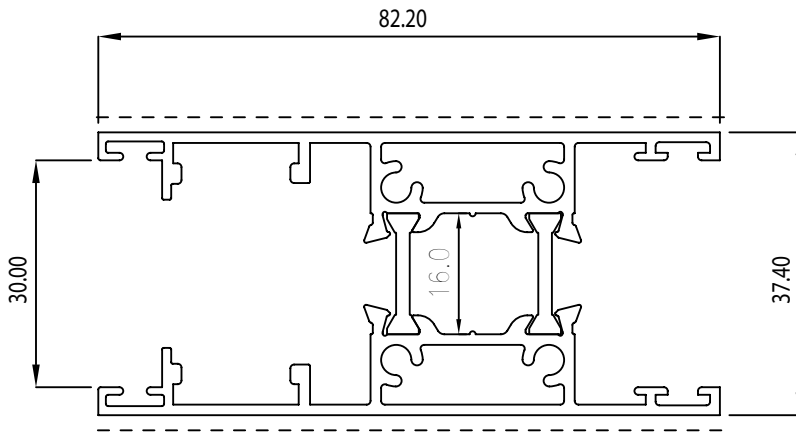
95124
(3.498 Kg/m)



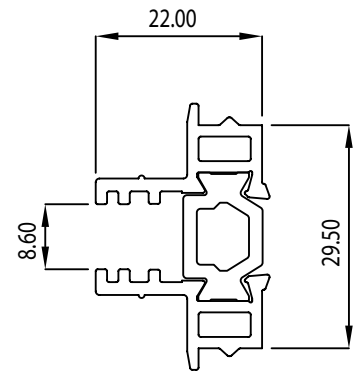
95076
(4.386 Kg/m)



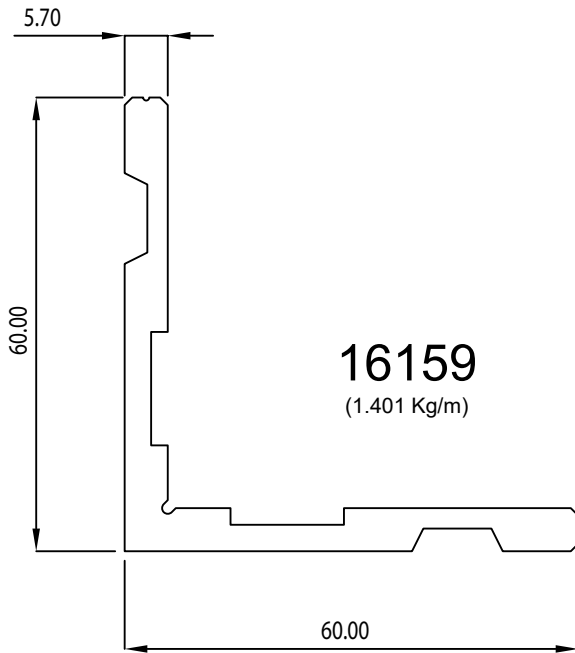
95123
(4.511 Kg/m)



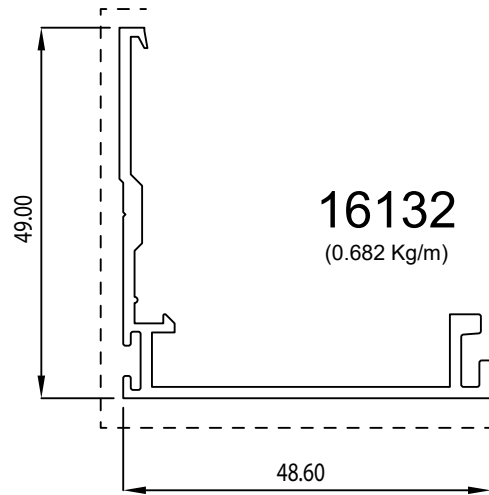
95031
(1.404 Kg/m)



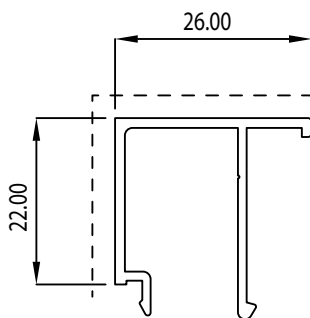
95036
(0.460 Kg/m)



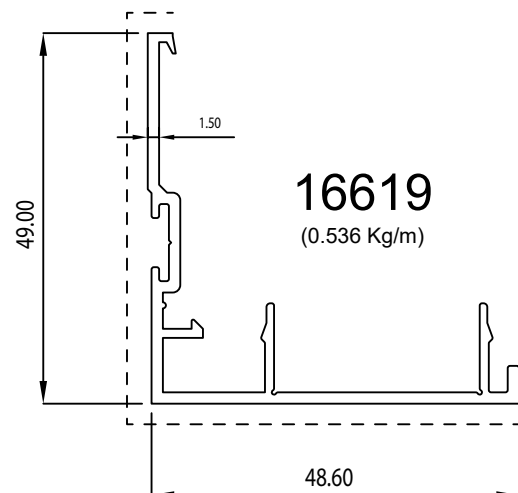
16159
(1.401 Kg/m)



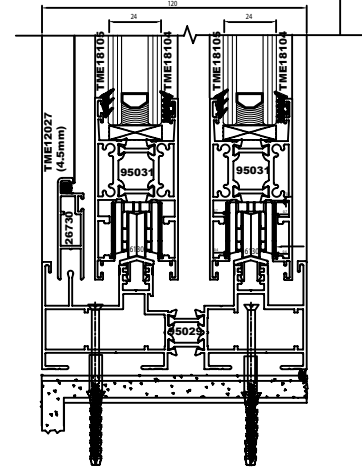
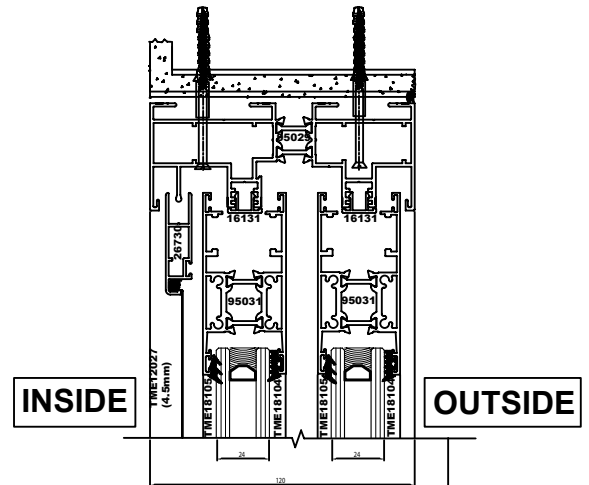
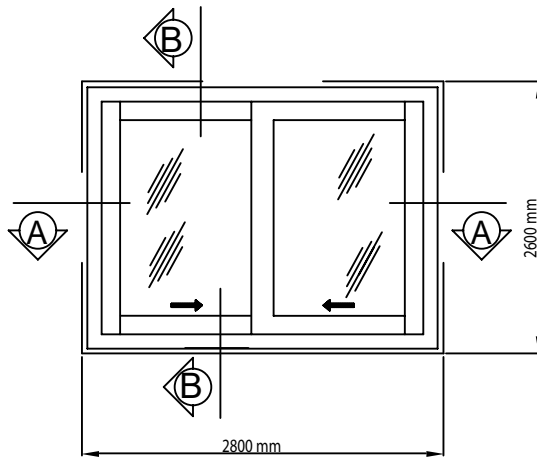
16132
(0.682 Kg/m)



16126
(0.275 Kg/m)



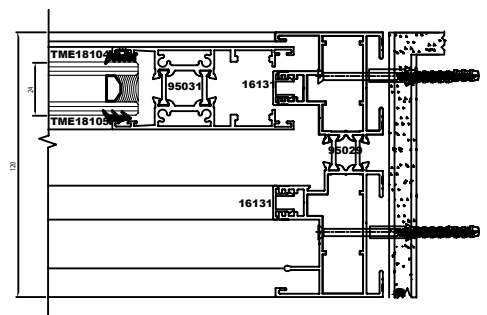
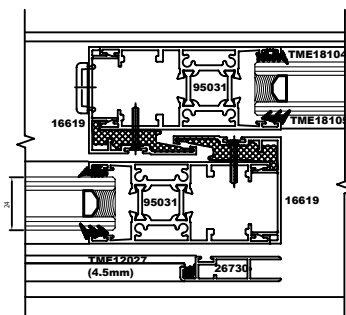
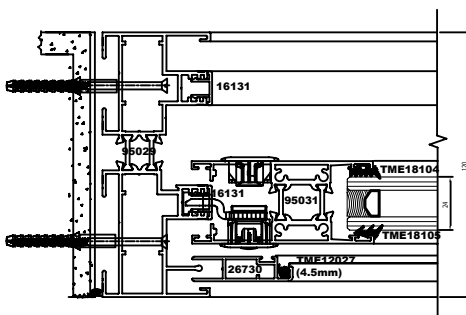
16619
(0.536 Kg/m)



Section B-B

PROFILES		
Description	Shape	Section No.
Frame		95029
Sash		95031
Flymesh		26730
Adaptor		16619
Adaptor		16131
Adaptor		16130

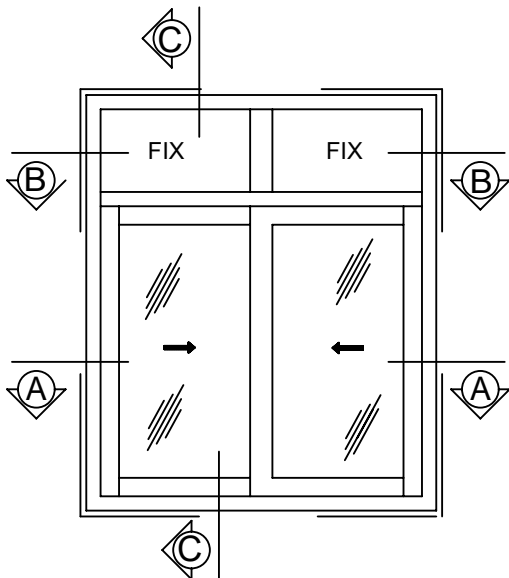
OUTSIDE



INSIDE

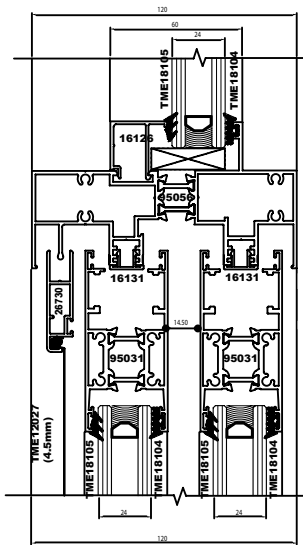
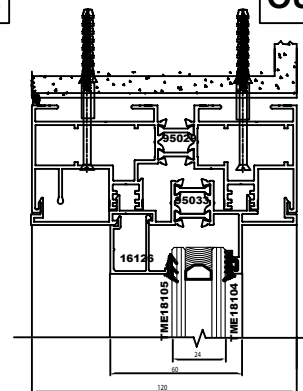
Section A-A

Section C-C

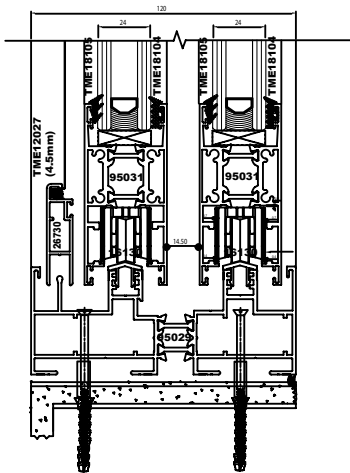


INSIDE

OUTSIDE

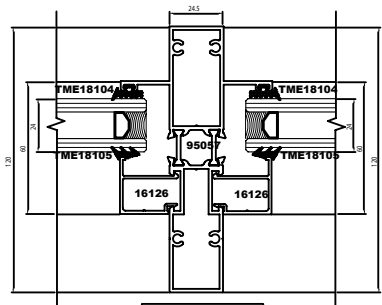
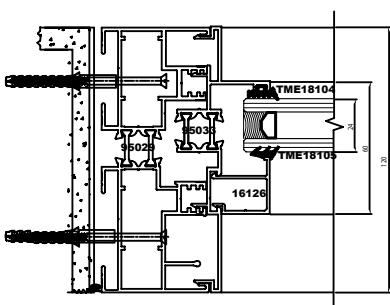


PROFILES				
Description	Shape	Section No.		
Frame		95029		
Frame		95056		
T Profile		95057		
Sash		95031		
Flymesh		26730		
Adaptor		95033		
Adaptor		16619		
Adaptor		16131	16130	
Beading		16126		



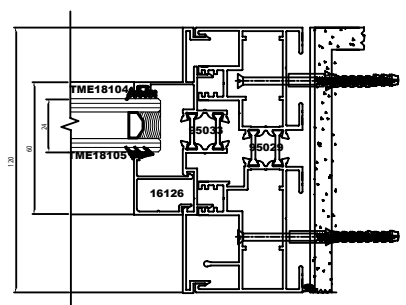
Section C-C

OUTSIDE

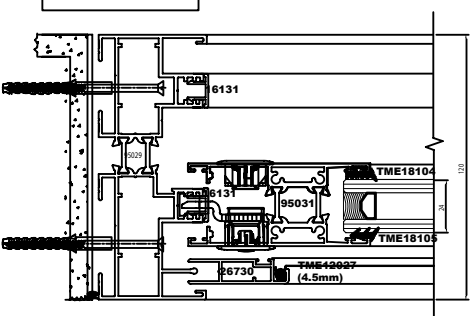


INSIDE

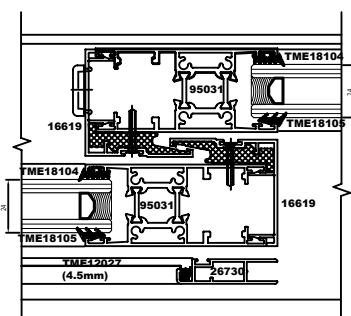
Section B-B



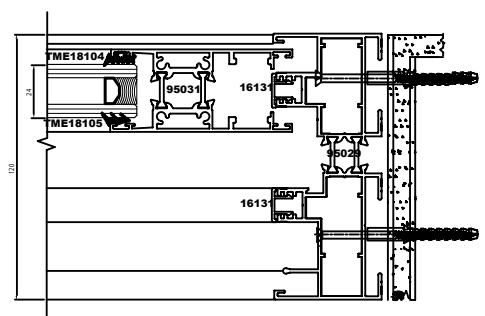
OUTSIDE

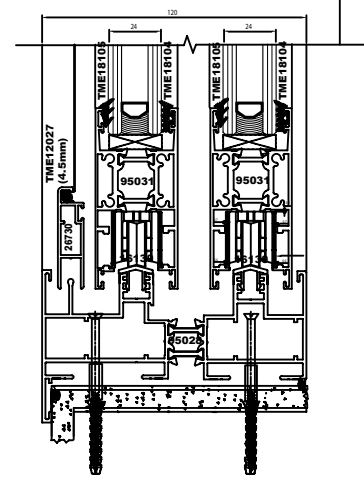
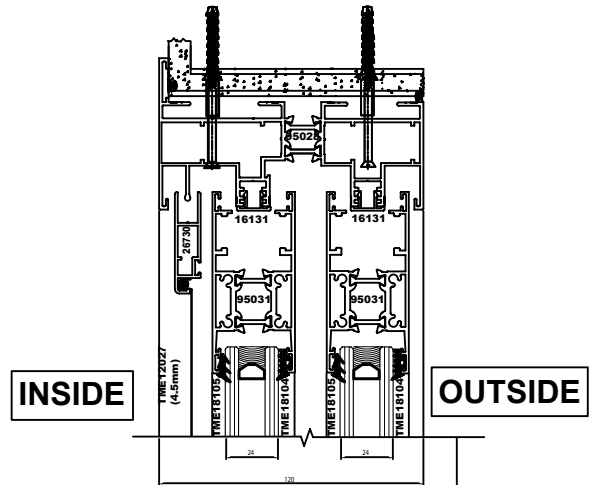
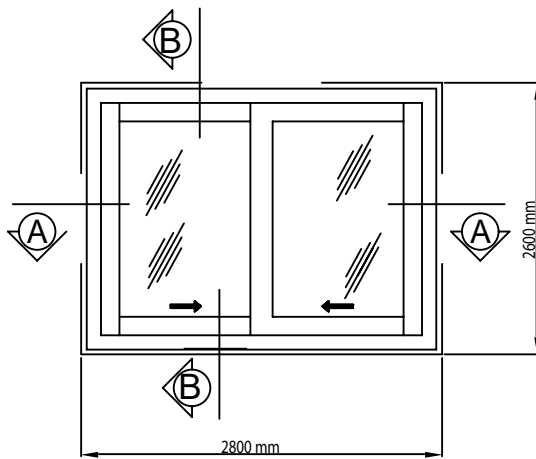


INSIDE



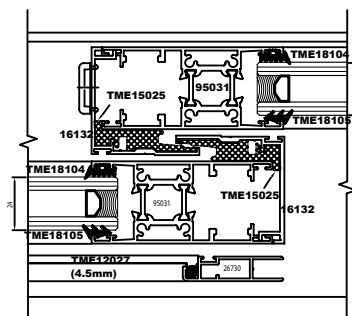
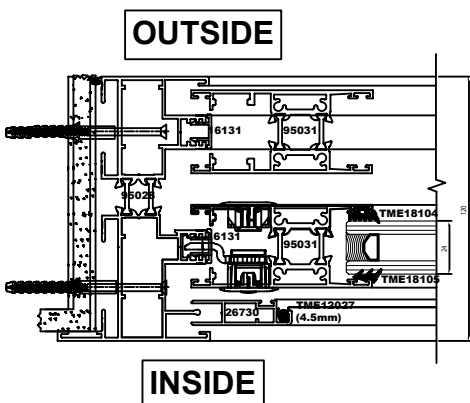
Section A-A



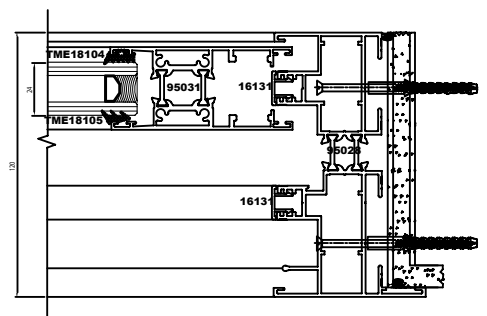


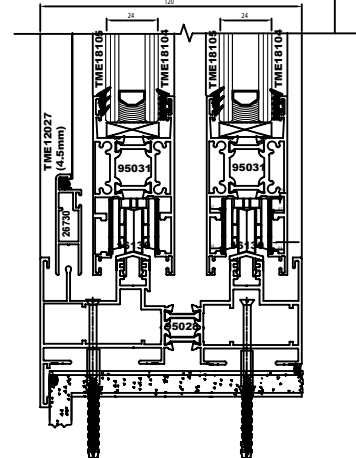
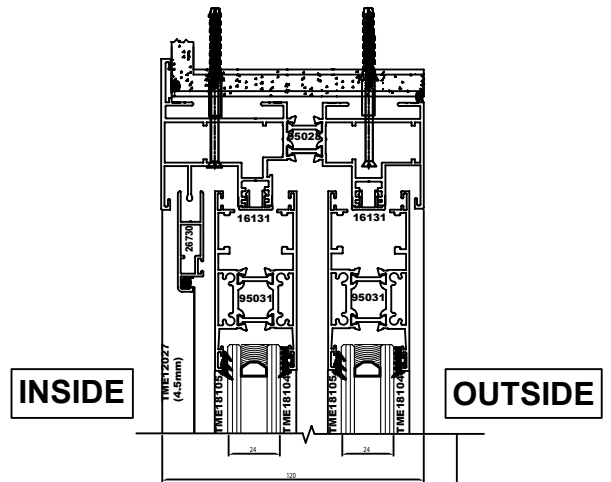
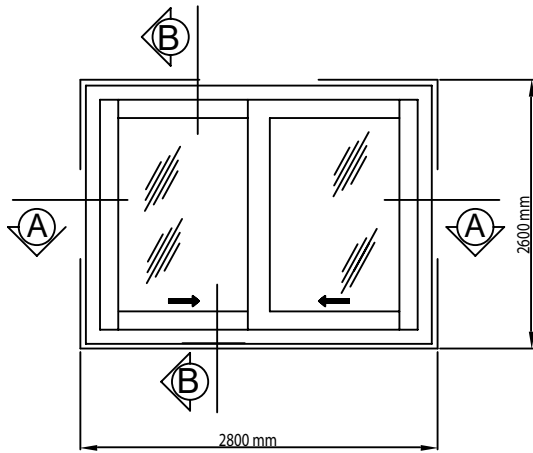
Section B-B

PROFILES		
Description	Shape	Section No.
Frame		95028
Sash		95031
Flymesh		26730
Adaptor		16132
Adaptor		16131
Adaptor		16130



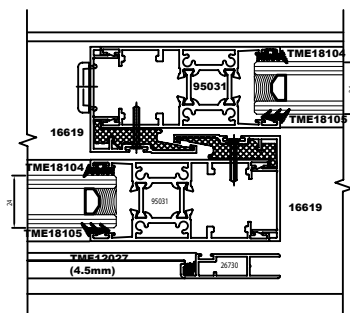
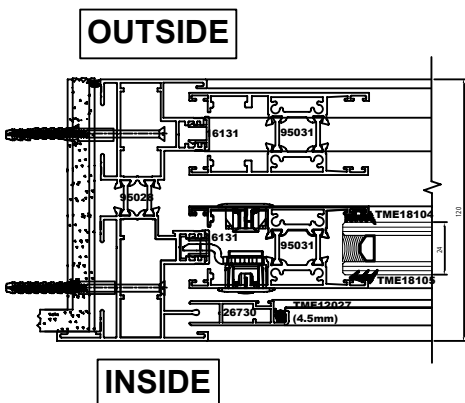
Section A-A



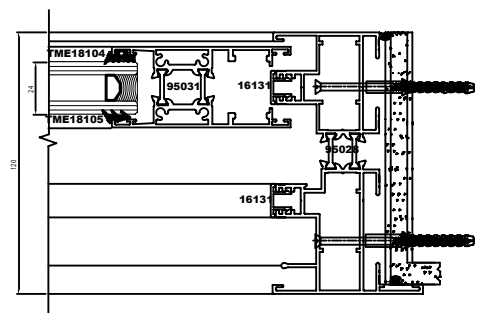


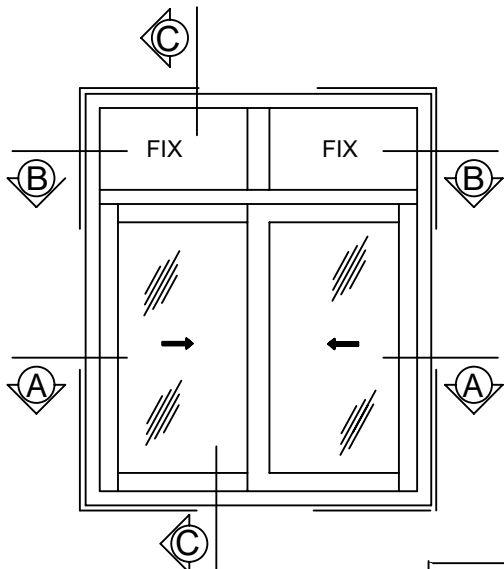
Section B-B

PROFILES		
Description	Shape	Section No.
Frame		95028
Sash		95031
Flymesh		26730
Adaptor		16619
Adaptor		16131
Adaptor		16130



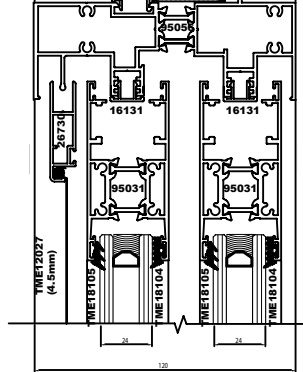
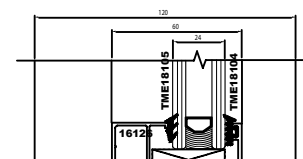
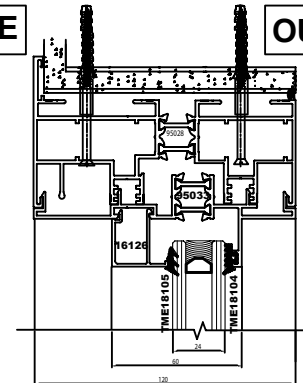
Section A-A



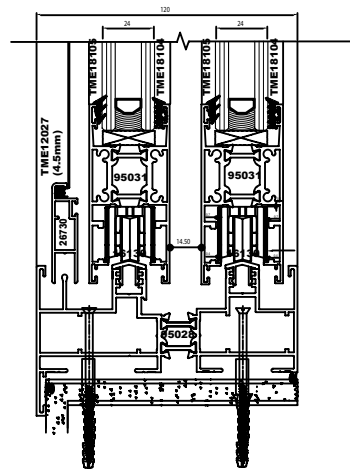


Section C-C

INSIDE OUTSIDE

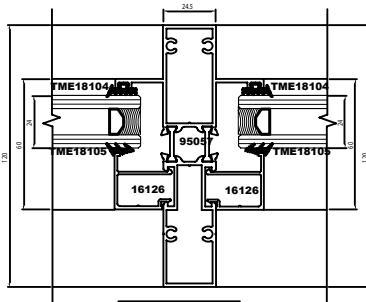
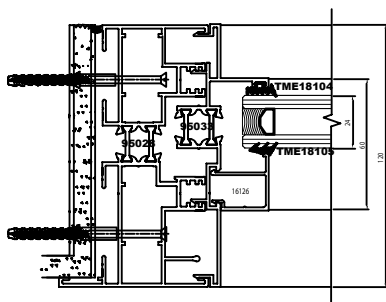


PROFILES		
Description	Shape	Section No.
Frame		95028
Frame		95056
T Profile		95057
Sash		95031
Flymesh		80550
Adaptor		95033
Adaptor		16132
Adaptor		16131 16130
Beading		16126

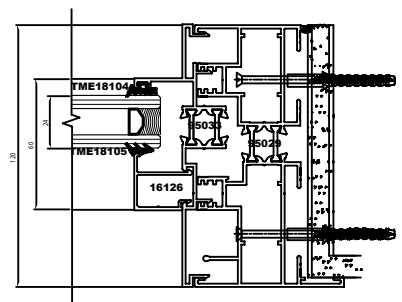


Section C-C

OUTSIDE

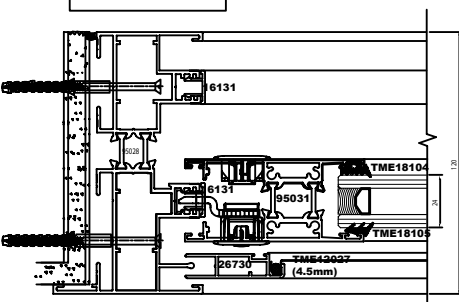


INSIDE

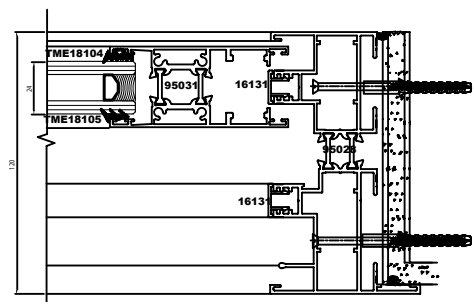
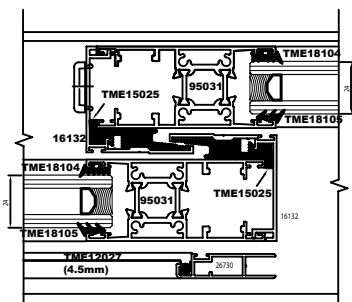


Section B-B

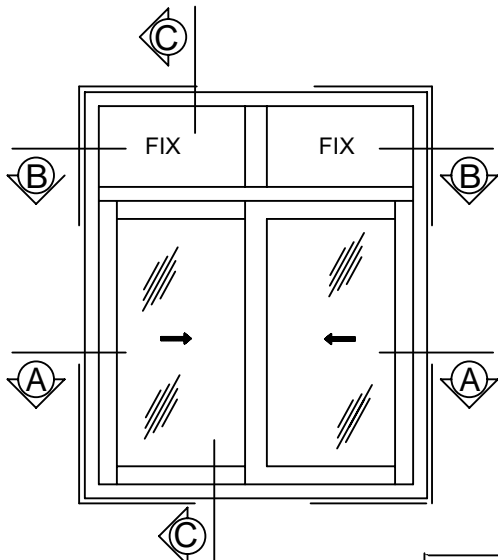
OUTSIDE



INSIDE

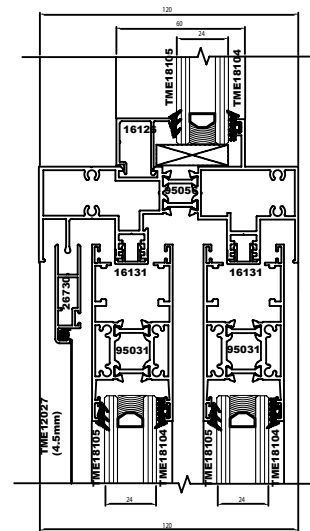
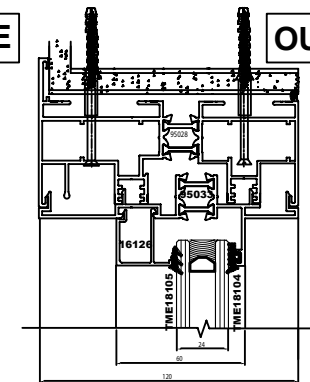


Section A-A

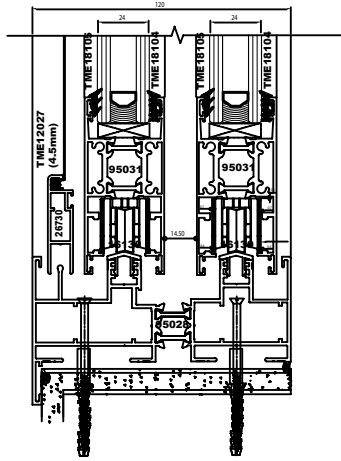


Section C-C

INSIDE OUTSIDE

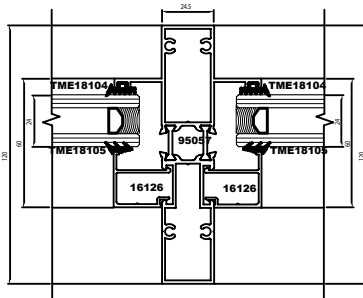
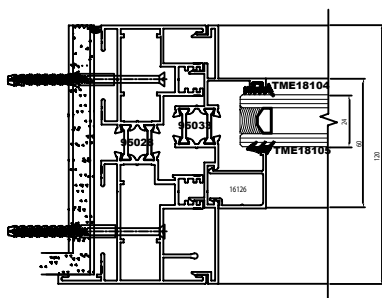


PROFILES		
Description	Shape	Section No.
Frame		95028
Frame		95056
T Profile		95057
Sash		95031
Flymesh		80550
Adaptor		95033
Adaptor		16619
Adaptor		16131 16130
Beading		16126



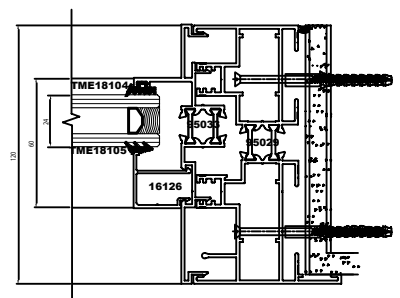
Section C-C

OUTSIDE

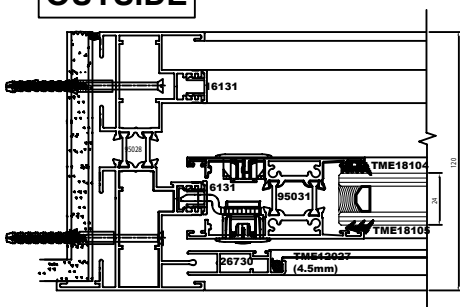


INSIDE

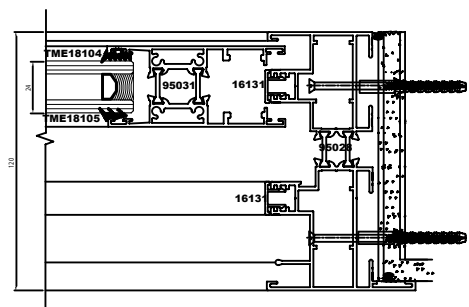
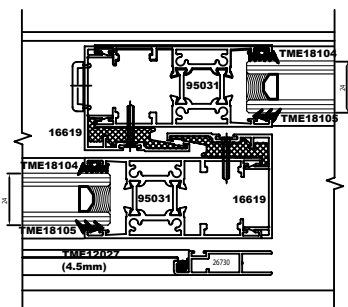
Section B-B



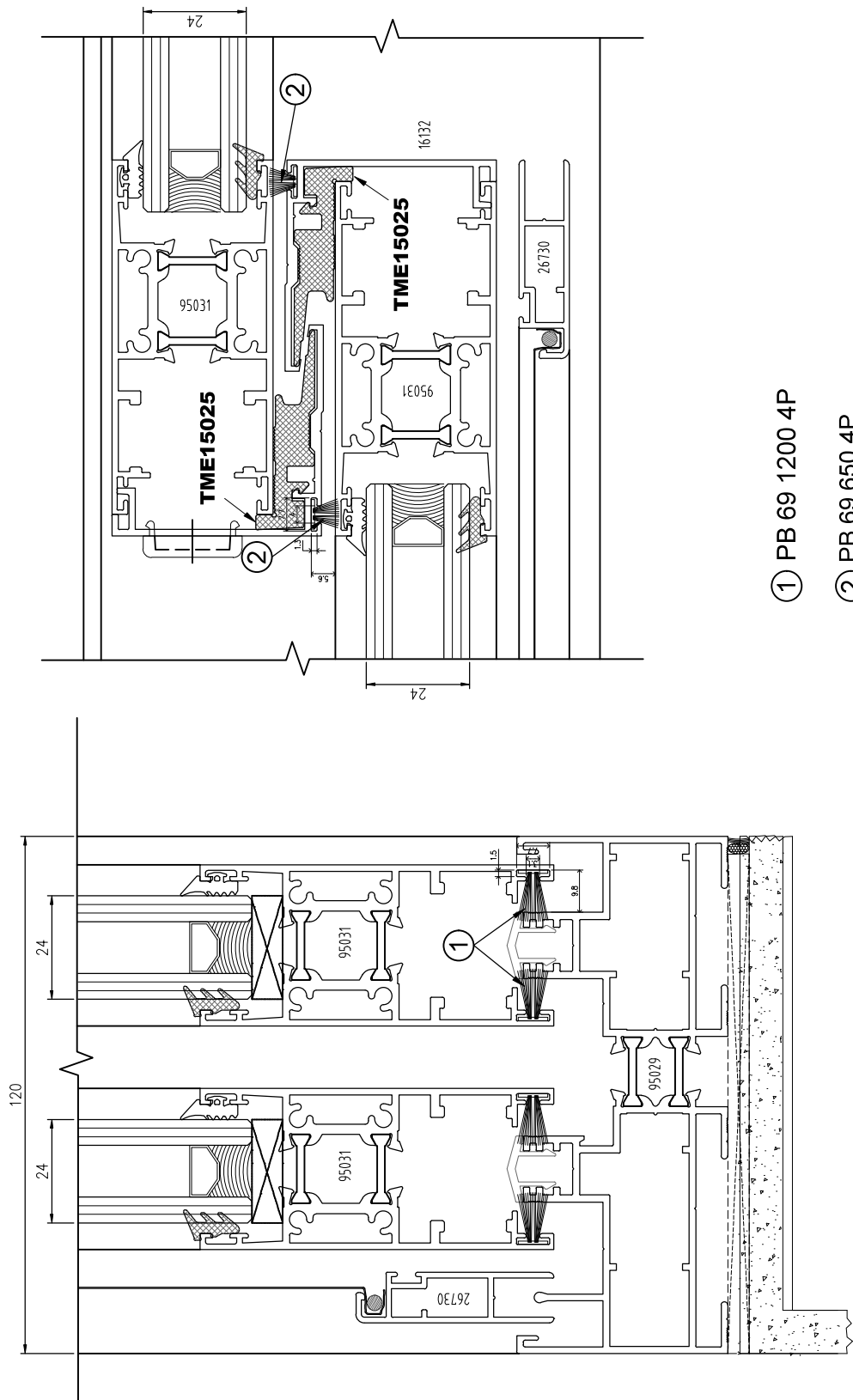
OUTSIDE



INSIDE

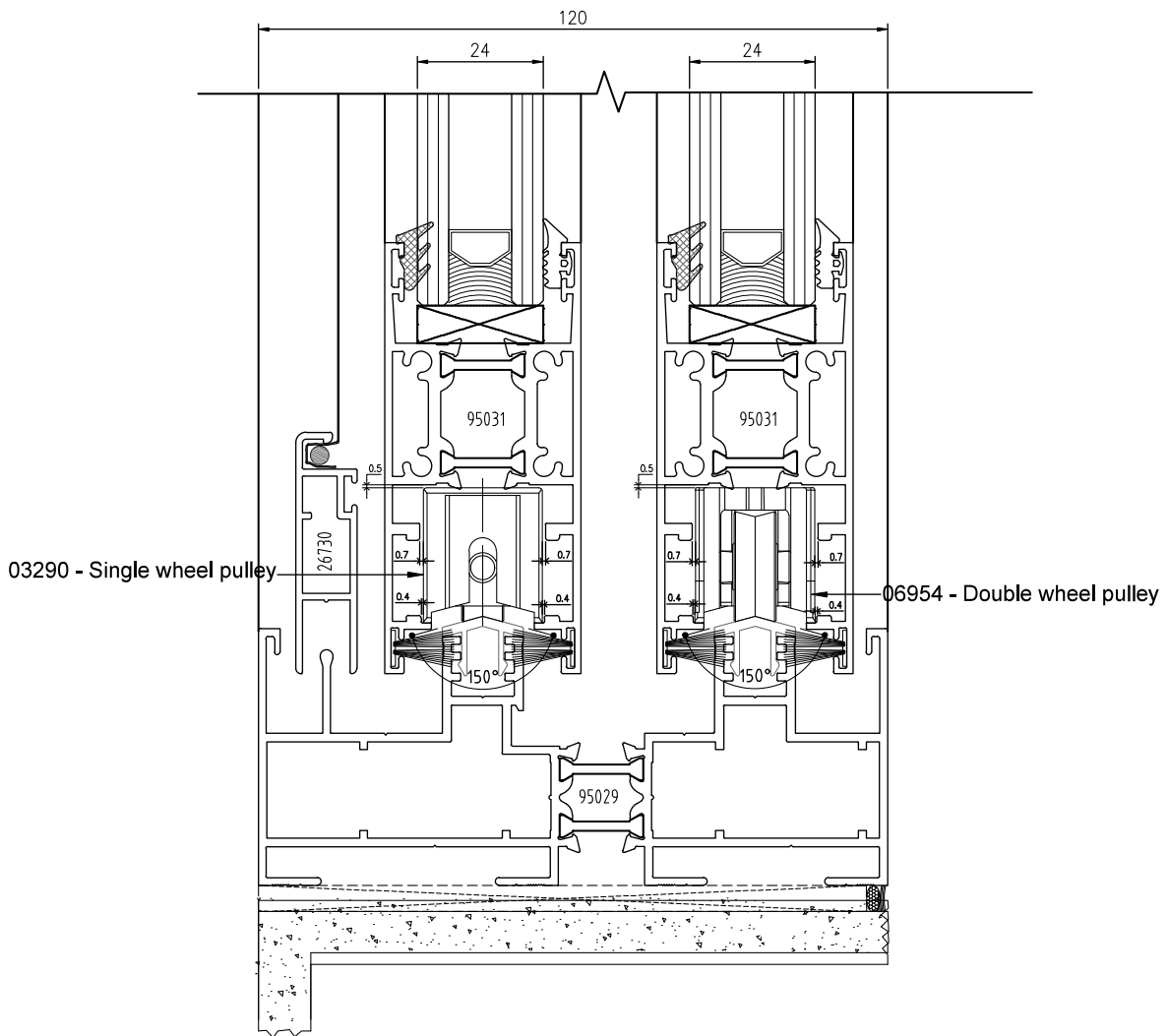


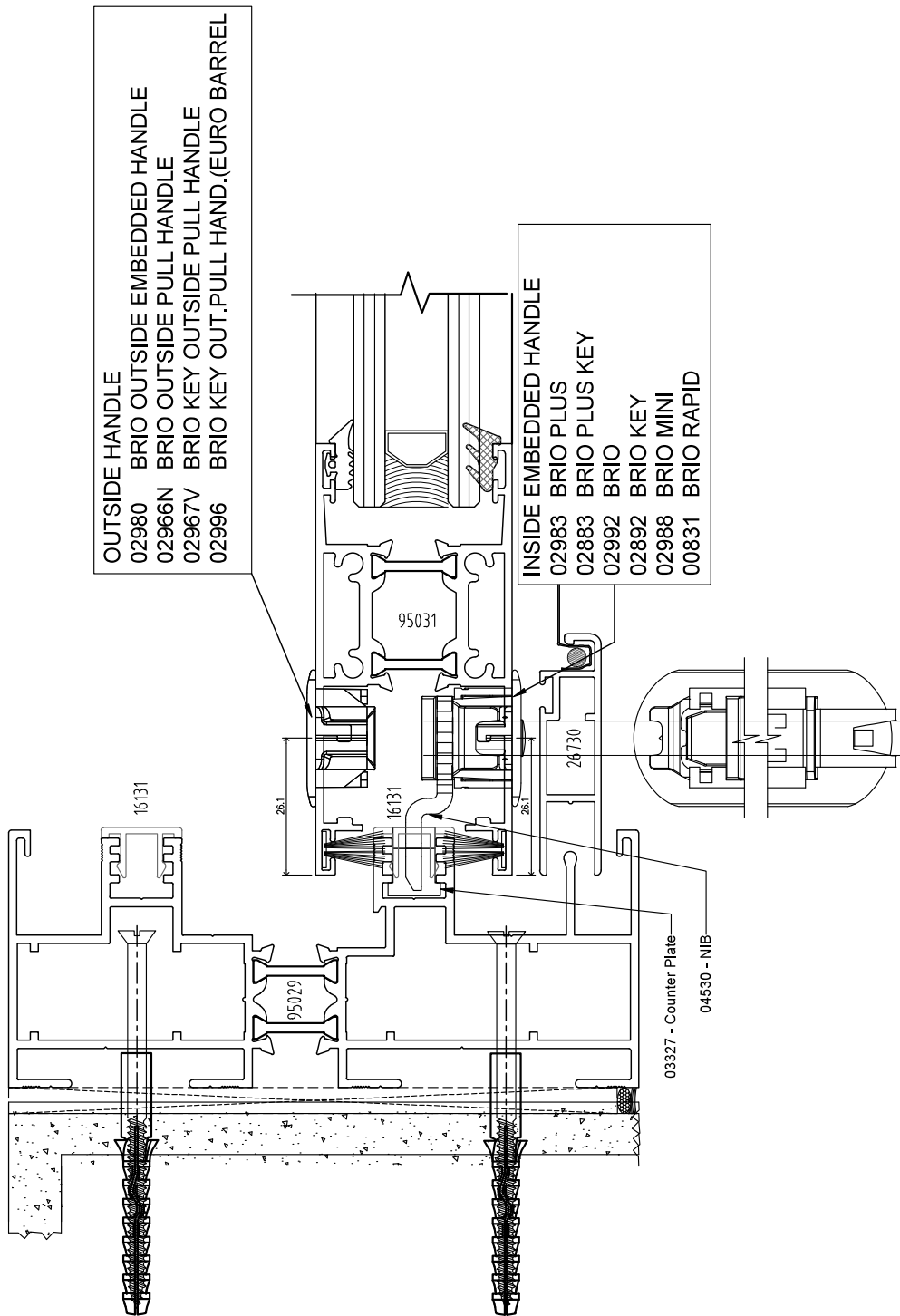
Section A-A



① PB 69 1200 4P

② PB 69 650 4P



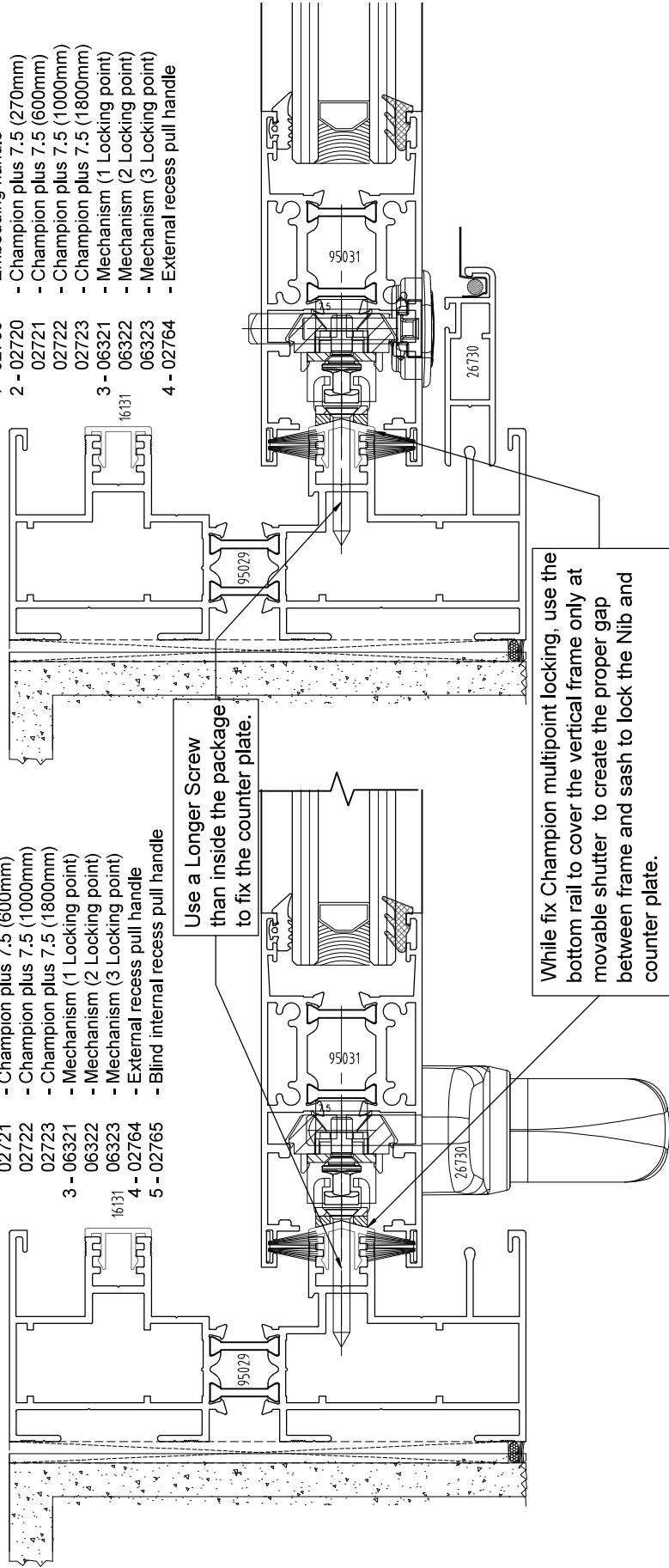


MULTIPOINT LOCKING WITH RECESSED WINDOW HANDLE

- ITEM:
- 1 - 02760 - Embedding handle
 - 2 - 02720 - Champion plus 7.5 (270mm)
 - 02721 - Champion plus 7.5 (600mm)
 - 02722 - Champion plus 7.5 (1000mm)
 - 02723 - Champion plus 7.5 (1800mm)
 - 3 - 06321 - Mechanism (1 Locking point)
 - 06322 - Mechanism (2 Locking point)
 - 06323 - Mechanism (3 Locking point)
 - 4 - 02764 - External recess pull handle

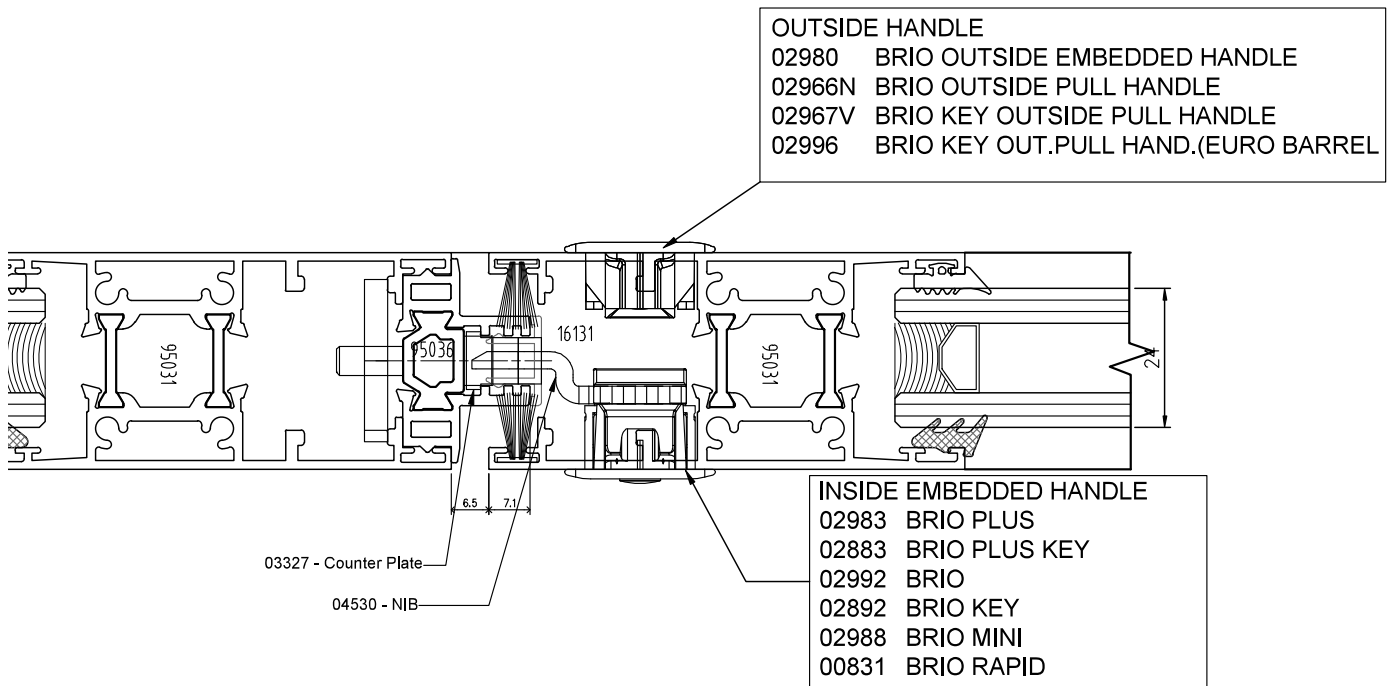
MULTIPOINT LOCKING WITH WINDOW HANDLE (Fly screen in not applicable)

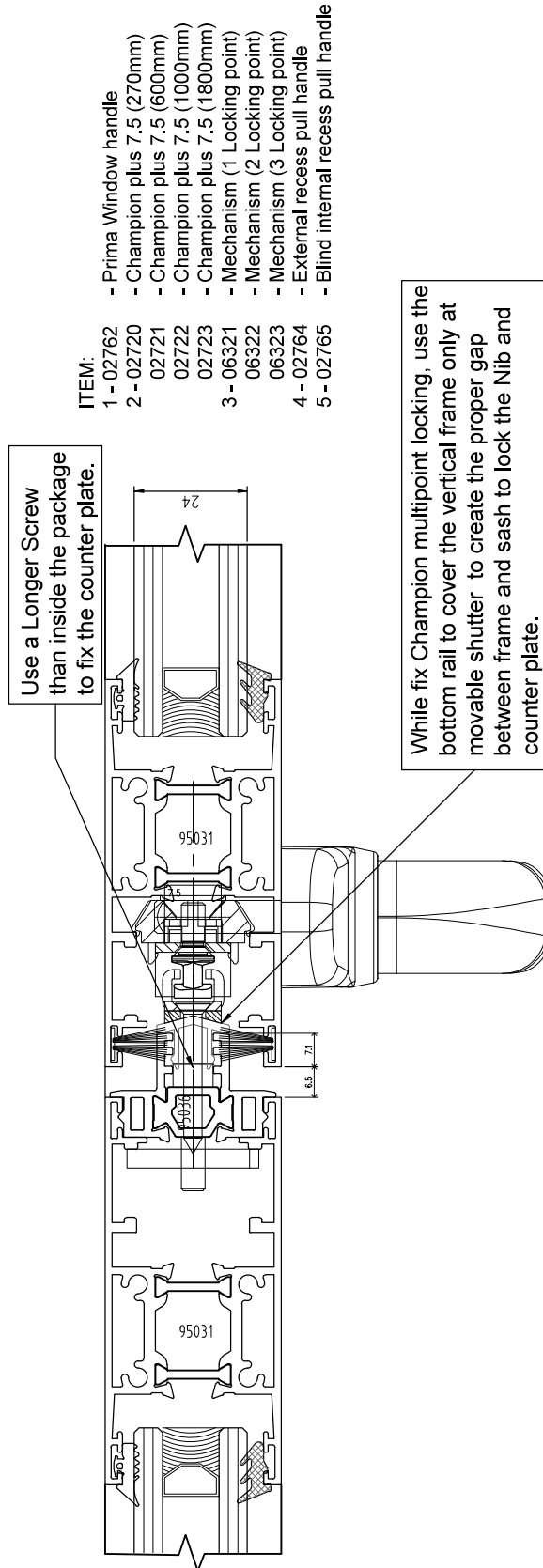
- ITEM:
- 1 - 02762 - Prima Window handle
 - 2 - 02720 - Champion plus 7.5 (270mm)
 - 02721 - Champion plus 7.5 (600mm)
 - 02722 - Champion plus 7.5 (1000mm)
 - 02723 - Champion plus 7.5 (1800mm)
 - 3 - 06321 - Mechanism (1 Locking point)
 - 06322 - Mechanism (2 Locking point)
 - 06323 - Mechanism (3 Locking point)
 - 4 - 02764 - External recess pull handle
 - 5 - 02765 - Blind internal recess pull handle

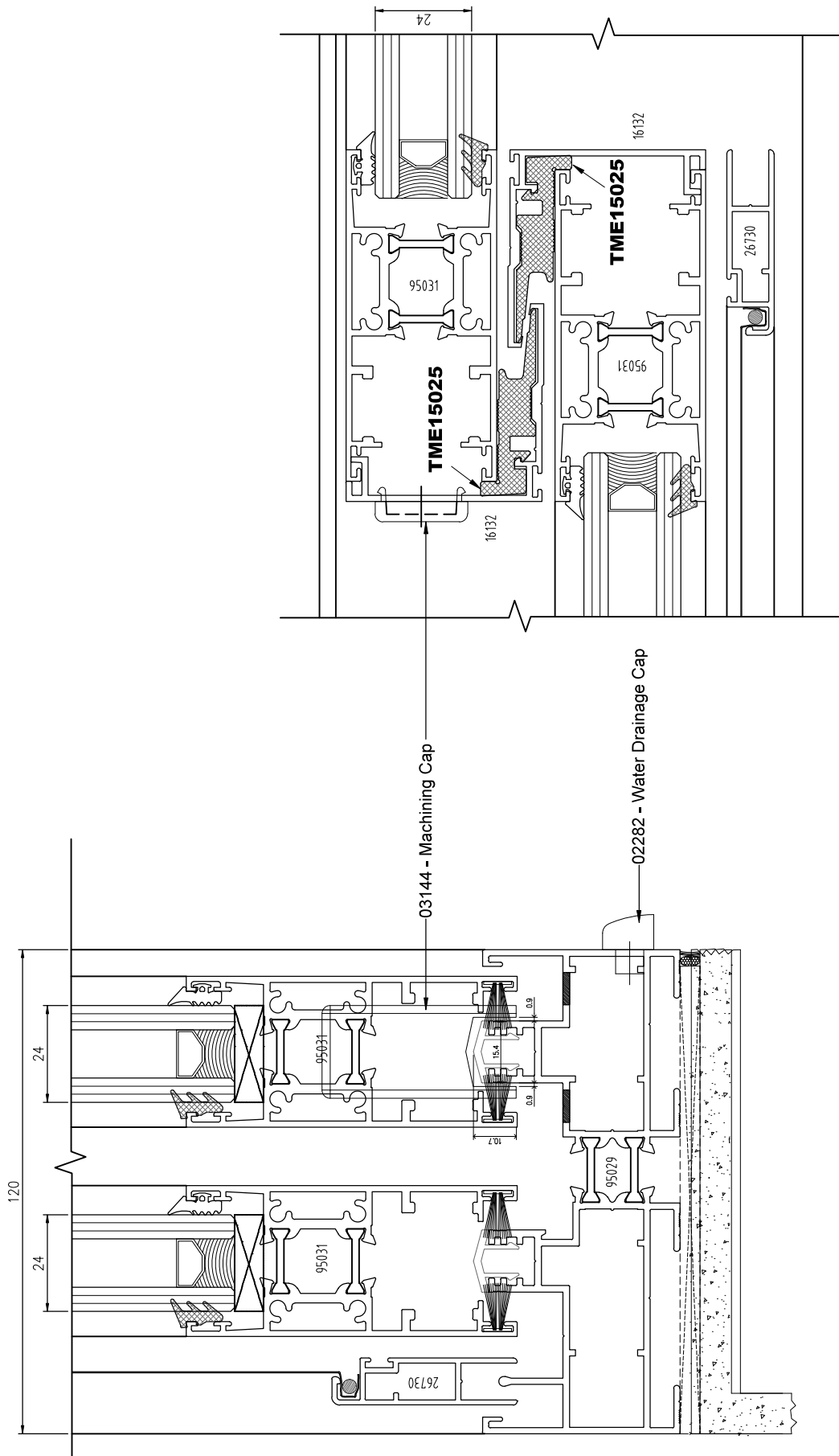


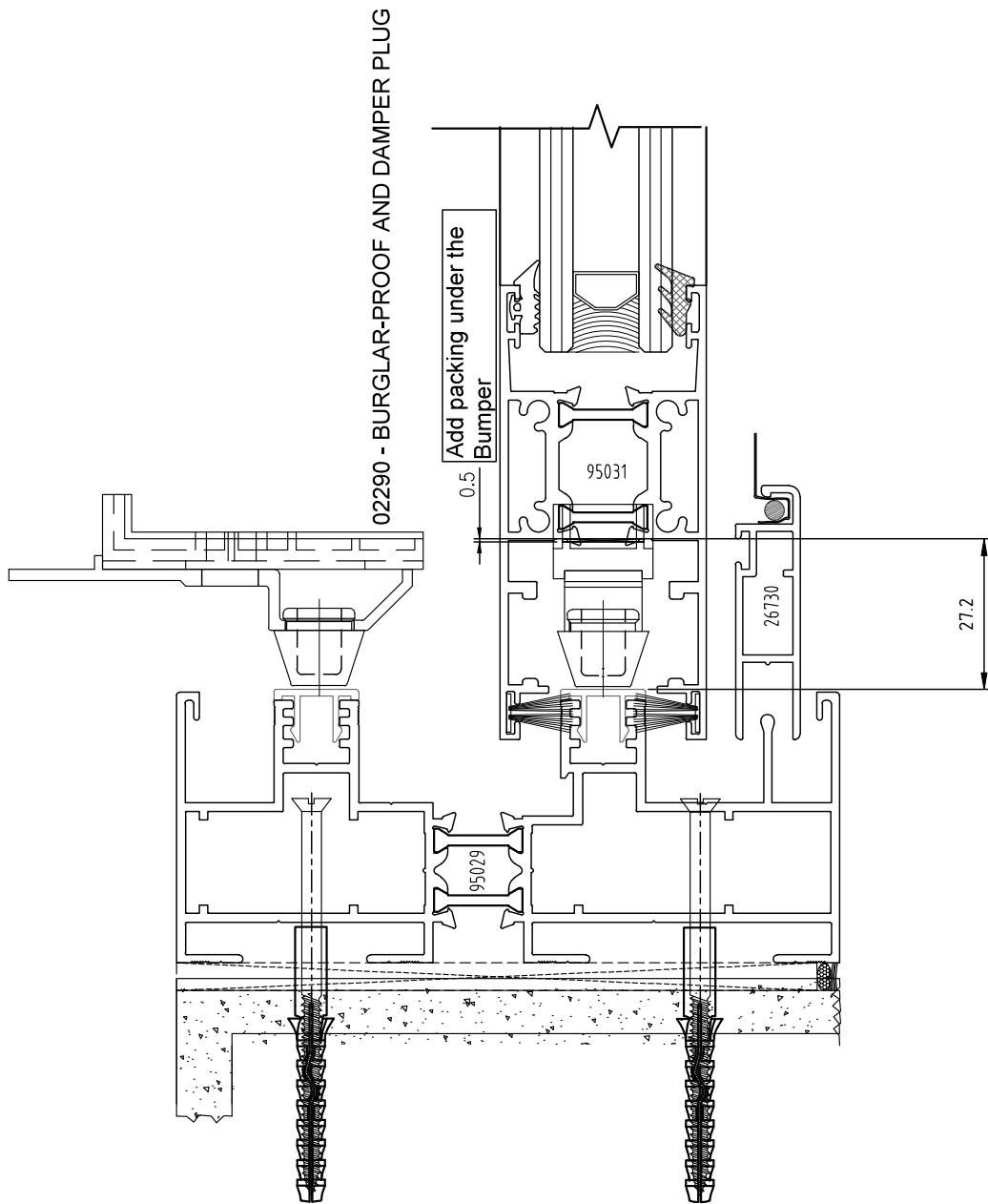
Use a Longer Screw than inside the package to fix the counter plate.

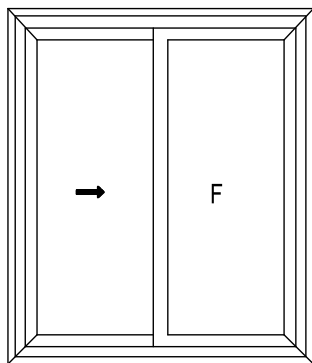
While fix Champion multipoint locking, use the bottom rail to cover the vertical frame only at movable shutter to create the proper gap between frame and sash to lock the Nib and counter plate.
We suggest to fix the cover profile on the fixed frame with 2 additional screws (top and bottom the counter plate)







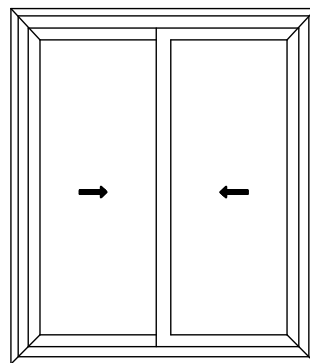




SINGLE LEAF OPENABLE WINDOW

Mandetroy Accessories

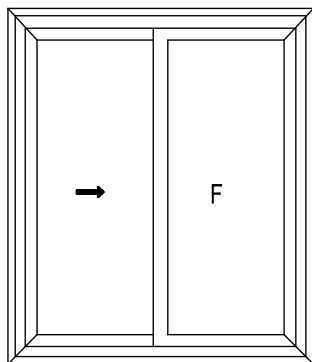
Accessories code	Description	Qty
02988N	Brio Mini Handle	1
04530	Nib	1
03327	Counter Plate	1
03290	Single Wheel Pulley	2
03144	Machining Cap	4
02282	Drainage Cap	2
03143	Anti-Dust plug	2
02290	Burglar proof & Anti-Lift	1
01224	Corner Alignment	16
PB.69.1200 / FS.69.1200	Pile for Shutter (With fin or without fin)	
PB.69.650 / FS.69.650	Pile for Interlock (With fin or without fin)	



DOUBLE LEAF OPENABLE WINDOW

Mandetroy Accessories

Accessories code	Description	Qty
02988N	Brio Mini Handle	2
04530	Nib	2
03327	Counter Plate	2
03290	Single Wheel Pulley	4
03144	Machining Cap	4
02282	Drainage Cap	2
03143	Anti-Dust plug	2
02290	Burglar proof & Anti-Lift	2
01224	Corner Alignment	16
PB.69.1200 / FS.69.1200	Pile for Shutter (With fin or without fin)	
PB.69.650 / FS.69.650	Pile for Interlock (With fin or without fin)	



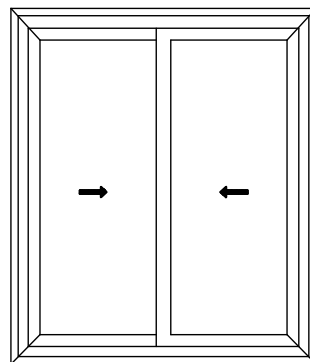
SINGLE LEAF OPENABLE DOOR

Mandetroy Accessories

Accessories code	Description	Qty
02992N	Brio Handle	1
04530	Nib	1
03327	Counter Plate	1
02980	Brio Outside embedding Handle	1
06954	Double Wheel Pulley	2
03144	Machining Cap	4
02282	Drainage Cap	2
03143	Anti-Dust plug	2
02290	Burglar proof & Anti-Lift	1
01224	Corner Alignment	16
PB.69.1200 / FS.69.1200	Pile for Shutter (With fin or without fin)	
PB.69.650 / FS.69.650	Pile for Interlock (With fin or without fin)	

Optional Accessories

02892N	Brio Key Handle	1
02966N	Brio Outside Pull Handle	1
02967V	Brio Key Outside Pull Handle	1
03016	Brio Internal Pull Handle (Centered)	1
02614	Brio Internal Pull Handle (Offset)	1



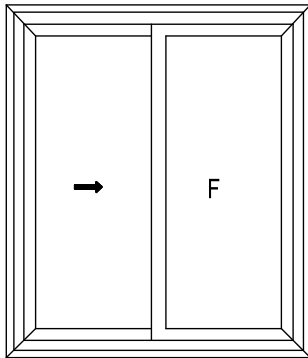
DOUBLE LEAF OPENABLE DOOR

Mandetroy Accessories

Accessories code	Description	Qty
02992N	Brio Handle	2
04530	Nib	2
03327	Counter Plate	2
02980	Brio Outside embedding Handle	2
06954	Double Wheel Pulley	4
03144	Machining Cap	4
02282	Drainage Cap	2
03143	Anti-Dust plug	2
02290	Burglar proof & Anti-Lift	2
01224	Corner Alignment	16
PB.69.1200 / FS.69.1200	Pile for Shutter (With fin or without fin)	
PB.69.650 / FS.69.650	Pile for Interlock (With fin or without fin)	

Optional Accessories

02892N	Brio Key Handle	2
02966N	Brio Outside Pull Handle	2
02967V	Brio Key Outside Pull Handle	2
03016	Brio Internal Pull Handle (Centered)	2
02614	Brio Internal Pull Handle (Offset)	2



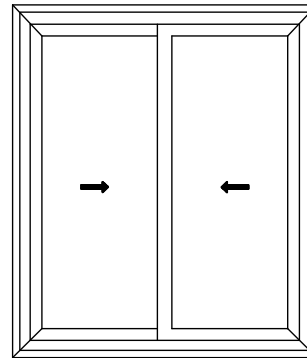
SINGLE LEAF OPENABLE WINDOW

Mandetroy Accessories

Accessories code	Description	Qty
02762	Prima Window Handle	1
02722	Champion 2 point locking	1
06322	Mechanism for 2 locking point	1
03290	Single Wheel Pulley	2
03144	Machining Cap	4
02282	Drainage Cap	2
03143	Anti-Dust plug	2
02290	Burglar proof & Anti-Lift	1
01224	Corner Alignment	16
PB.69.1200 / FS.69.1200	Pile for Shutter (With fin or without fin)	
PB.69.650 / FS.69.650	Pile for Interlock (With fin or without fin)	

Optional Accessories

02760	Recessed Handle	1
-------	-----------------	---



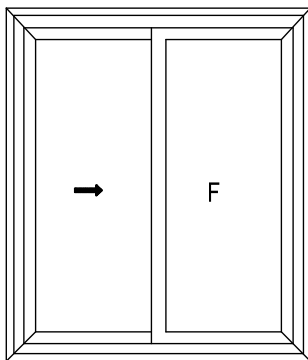
DOUBLE LEAF OPENABLE WINDOW

Mandetroy Accessories

Accessories code	Description	Qty
02762	Prima Window Handle	2
02722	Champion 2 point locking	2
06322	Mechanism for 2 locking point	2
03290	Single Wheel Pulley	4
03144	Machining Cap	4
02282	Drainage Cap	2
03143	Anti-Dust plug	2
02290	Burglar proof & Anti-Lift	2
01224	Corner Alignment	16
PB.69.1200 / FS.69.1200	Pile for Shutter (With fin or without fin)	
PB.69.650 / FS.69.650	Pile for Interlock (With fin or without fin)	

Optional Accessories

02760	Recessed Handle	2
-------	-----------------	---



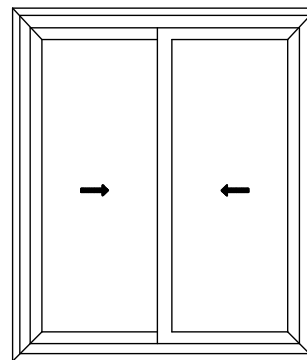
SINGLE LEAF OPENABLE DOOR

Mandetroy Accessories

Accessories code	Description	Qty
02762	Prima Window Handle	1
02723	Champion 3 point locking	1
06323	Mechanism for 3 locking point	1
02764	External Recess Pull Handle	1
06954	Double Wheel Pulley	2
03144	Machining Cap	4
02282	Drainage Cap	2
03143	Anti-Dust plug	2
02290	Burglar proof & Anti-Lift	1
01224	Corner Alignment	16
PB.69.1200 / FS.69.1200	Pile for Shutter (With fin or without fin)	
PB.69.650 / FS.69.650	Pile for Interlock (With fin or without fin)	

Optional Accessories

02760	Recessed Handle	1
-------	-----------------	---



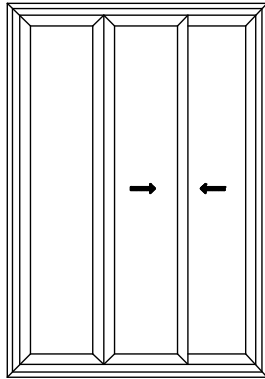
DOUBLE LEAF OPENABLE DOOR

Mandetroy Accessories

Accessories code	Description	Qty
02762	Prima Window Handle	2
02723	Champion 3 point locking	2
06323	Mechanism for 3 locking point	2
02764	External Recess Pull Handle	2
06954	Double Wheel Pulley	4
03144	Machining Cap	4
02282	Drainage Cap	2
03143	Anti-Dust plug	2
02290	Burglar proof & Anti-Lift	2
01224	Corner Alignment	16
PB.69.1200 / FS.69.1200	Pile for Shutter (With fin or without fin)	
PB.69.650 / FS.69.650	Pile for Interlock (With fin or without fin)	

Optional Accessories

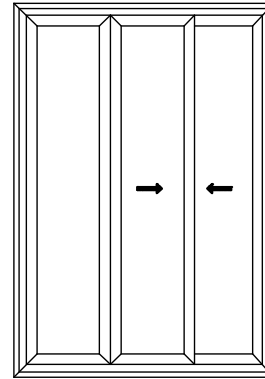
02760	Recessed Handle	2
-------	-----------------	---



THREE SHUTTER DOUBLE LEAF OPENABLE WINDOW

Mandetroy Accessories

Accessories code	Description	Qty
02988N	Brio Mini Handle	2
03327	Counter plate	2
04530	Nib	2
03290	Single Wheel Pulley	4
03144	Machining Cap	4
02282	Drainage Cap	2
03143	Anti-Dust plug	2
02290	Burglar proof & Anti-Lift	2
01224	Corner Alignment	24
PB.69.1200 / FS.69.1200	Pile for Shutter (With fin or without fin)	
PB.69.650 / FS.69.650	Pile for Interlock (With fin or without fin)	



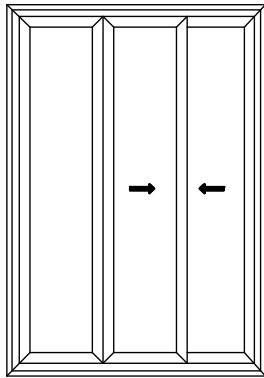
THREE SHUTTER DOUBLE LEAF OPENABLE DOOR

Mandetroy Accessories

Accessories code	Description	Qty
02992N	Brio Handle	2
03327	Counter plate	2
04530	Nib	2
02980	Brio Outside embedding Handle	2
06954	Double Wheel Pulley	4
03144	Machining Cap	4
02282	Drainage Cap	2
03143	Anti-Dust plug	2
02290	Burglar proof & Anti-Lift	2
01224	Corner Alignment	24
PB.69.1200 / FS.69.1200	Pile for Shutter (With fin or without fin)	
PB.69.650 / FS.69.650	Pile for Interlock (With fin or without fin)	

Optional Accessories

02892N	Brio Key Handle	2
02966N	Brio Outside Pull Handle	2
02967V	Brio Key Outside Pull Handle	2
03016	Brio Internal Pull Handle (Centered)	2
02614	Brio Internal Pull Handle (Offset)	2



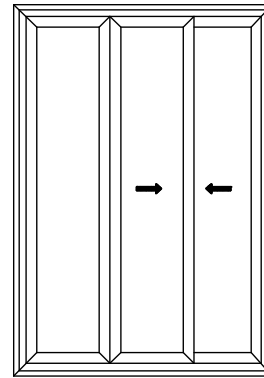
THREE SHUTTER DOUBLE LEAF OPENABLE WINDOW

Mandetroy Accessories

Accessories code	Description	Qty
02762	Prima Window Handle	2
02722	Champion 2 point locking	2
06322	Mechanism for 2 locking point	2
03290	Single Wheel Pulley	4
03144	Machining Cap	4
02282	Drainage Cap	2
03143	Anti-Dust plug	2
02290	Burglar proof & Anti-Lift	2
01224	Corner Alignment	24
PB.69.1200 / FS.69.1200	Pile for Shutter (With fin or without fin)	
PB.69.650 / FS.69.650	Pile for Interlock (With fin or without fin)	

Optional Accessories

02760	Recessed Handle	2
-------	-----------------	---



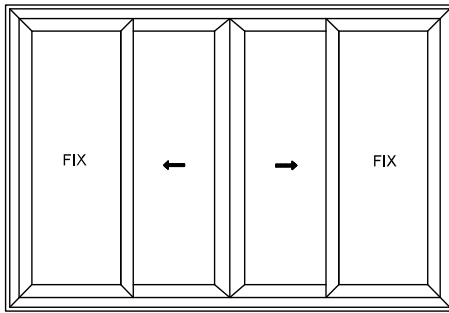
THREE SHUTTER DOUBLE LEAF OPENABLE DOOR

Mandetroy Accessories

Accessories code	Description	Qty
02762	Prima Window Handle	2
02723	Champion 3 point locking	2
06323	Mechanism for 3 locking point	2
02764	External Recess Pull Handle	2
06954	Double Wheel Pulley	4
03144	Machining Cap	4
02282	Drainage Cap	2
03143	Anti-Dust plug	2
02290	Burglar proof & Anti-Lift	2
01224	Corner Alignment	24
PB.69.1200 / FS.69.1200	Pile for Shutter (With fin or without fin)	
PB.69.650 / FS.69.650	Pile for Interlock (With fin or without fin)	

Optional Accessories

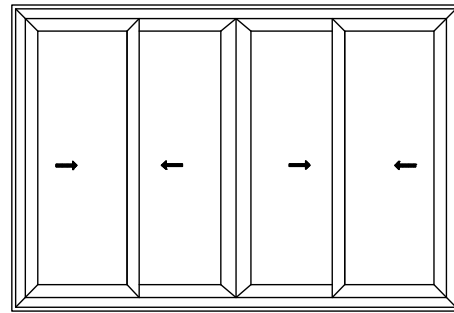
02760	Recessed Handle	2
-------	-----------------	---



DOUBLE LEAF OPENABLE WINDOW

Mandetroy Accessories

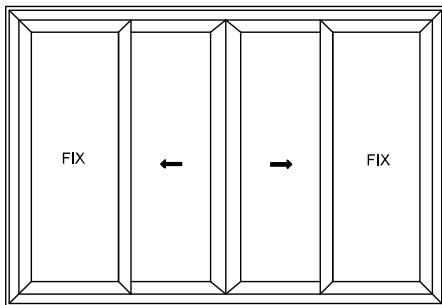
Accessories code	Description	Qty
02988N	Brio Mini Handle	1
02566	Brio Mini Cieca handle	1
03327	Counter plate	1
04530	Nib	1
03290	Single Wheel Pulley	4
03144	Machining Cap	8
02282	Drainage Cap	3
03143	Anti-Dust plug	4
02290	Burglar proof & Anti-Lift	1
01224	Corner Alignment	32
PB.69.1200 / FS.69.1200	Pile for Shutter (With fin or without fin)	
PB.69.650 / FS.69.650	Pile for Interlock (With fin or without fin)	



FOUR LEAF OPENABLE WINDOW

Mandetroy Accessories

Accessories code	Description	Qty
02988N	Brio Mini Handle	3
02566	Brio Mini Cieca handle	1
03327	Counter plate	3
04530	Nib	3
03290	Single Wheel Pulley	8
03144	Machining Cap	8
02282	Drainage Cap	3
03143	Anti-Dust plug	4
02290	Burglar proof & Anti-Lift	3
01224	Corner Alignment	32
PB.69.1200 / FS.69.1200	Pile for Shutter (With fin or without fin)	
PB.69.650 / FS.69.650	Pile for Interlock (With fin or without fin)	



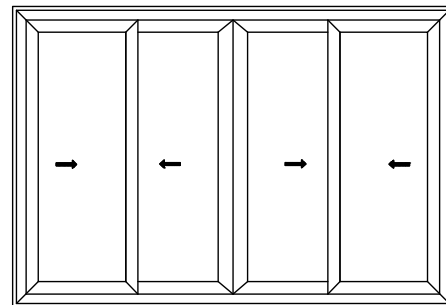
DOUBLE LEAF OPENABLE DOOR

Mandetroy Accessories

Accessories code	Description	Qty
02992N	Brio Handle	1
02895	Brio Blind handle	1
03327	Counter plate	1
04530	Nib	1
06954	Double Wheel Pulley	4
03144	Machining Cap	8
02282	Drainage Cap	3
03143	Anti-Dust plug	4
02290	Burglar proof & Anti-Lift	1
01224	Corner Alignment	32
02980	Brio Outside embedding Handle	2
PB.69.1200 / FS.69.1200	Pile for Shutter (With fin or without fin)	
PB.69.650 / FS.69.650	Pile for Interlock (With fin or without fin)	

Optional Accessories

02892N	Brio Key Handle	1
02966N	Brio Outside Pull Handle	1
02967V	Brio Key Outside Pull Handle	1
03016	Brio Internal Pull Handle (Centered)	1
02614	Brio Internal Pull Handle (Offset)	1



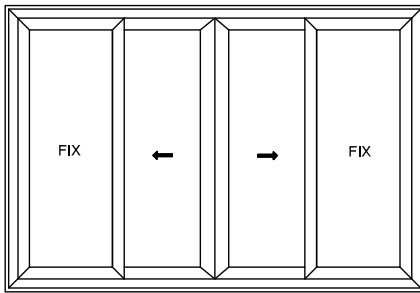
FOUR LEAF OPENABLE WINDOW

Mandetroy Accessories

Accessories code	Description	Qty
02992N	Brio Handle	3
02895	Brio Blind handle	1
03327	Counter plate	3
04530	Nib	3
06954	Double Wheel Pulley	8
03144	Machining Cap	8
02282	Drainage Cap	3
03143	Anti-Dust plug	4
02290	Burglar proof & Anti-Lift	3
01224	Corner Alignment	32
02980	Brio Outside embedding Handle	4
PB.69.1200 / FS.69.1200	Pile for Shutter (With fin or without fin)	
PB.69.650 / FS.69.650	Pile for Interlock (With fin or without fin)	

Optional Accessories

02892N	Brio Key Handle	3
02966N	Brio Outside Pull Handle	4
02967V	Brio Key Outside Pull Handle	3
03016	Brio Internal Pull Handle (Centered)	4
02614	Brio Internal Pull Handle (Offset)	4



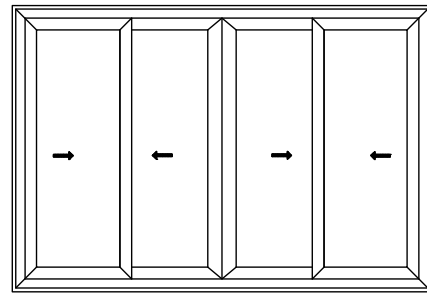
DOUBLE LEAF OPENABLE WINDOW

Mandetroy Accessories

Accessories code	Description	Qty
02762	Prima Window Handle	1
02722	Champion 2 point locking	1
06322	Mechanism for 2 locking point	1
02765	Blind Recess Pull Handle	1
03290	Single Wheel Pulley	4
03144	Machining Cap	8
02282	Drainage Cap	3
03143	Anti-Dust plug	4
02290	Burglar proof & Anti-Lift	1
01224	Corner Alignment	32
PB.69.1200 / FS.69.1200	Pile for Shutter (With fin or without fin)	
PB.69.650 / FS.69.650	Pile for Interlock (With fin or without fin)	

Optional Accessories

02760	Recessed Handle	2
-------	-----------------	---



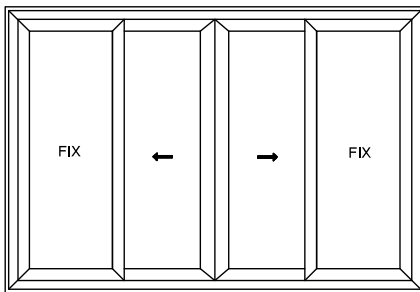
FOUR LEAF OPENABLE WINDOW

Mandetroy Accessories

Accessories code	Description	Qty
02762	Prima Window Handle	3
02722	Champion 2 point locking	3
06322	Mechanism for 2 locking point	3
02765	Blind Recess Pull Handle	1
03290	Single Wheel Pulley	8
03144	Machining Cap	8
02282	Drainage Cap	3
03143	Anti-Dust plug	4
02290	Burglar proof & Anti-Lift	1
01224	Corner Alignment	32
PB.69.1200 / FS.69.1200	Pile for Shutter (With fin or without fin)	
PB.69.650 / FS.69.650	Pile for Interlock (With fin or without fin)	

Optional Accessories

02760	Recessed Handle	2
-------	-----------------	---



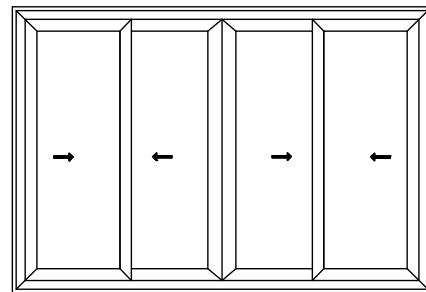
DOUBLE LEAF OPENABLE DOOR

Mandetroy Accessories

Accessories code	Description	Qty
02762	Prima Window Handle	1
02723	Champion 3 point locking	1
06323	Mechanism for 3 locking point	1
02764	External Recess Pull Handle	2
02765	Blind Recess Pull Handle	1
06954	Double Wheel Pulley	4
03144	Machining Cap	8
02282	Drainage Cap	3
03143	Anti-Dust plug	4
02290	Burglar proof & Anti-Lift	1
01224	Corner Alignment	32
PB.69.1200 / FS.69.1200	Pile for Shutter (With fin or without fin)	
PB.69.650 / FS.69.650	Pile for Interlock (With fin or without fin)	

Optional Accessories

02760	Recessed Handle	2
-------	-----------------	---



FOUR LEAF OPENABLE WINDOW

Mandetroy Accessories

Accessories code	Description	Qty
02762	Prima Window Handle	3
02723	Champion 3 point locking	3
06323	Mechanism for 3 locking point	3
02764	External Recess Pull Handle	4
02765	Blind Recess Pull Handle	1
06954	Double Wheel Pulley	8
03144	Machining Cap	8
02282	Drainage Cap	3
03143	Anti-Dust plug	4
02290	Burglar proof & Anti-Lift	1
01224	Corner Alignment	32
PB.69.1200 / FS.69.1200	Pile for Shutter (With fin or without fin)	
PB.69.650 / FS.69.650	Pile for Interlock (With fin or without fin)	

Optional Accessories

02760	Recessed Handle	2
-------	-----------------	---

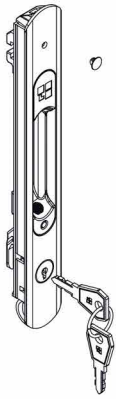


BRIO PLUS HANDLE

02983N

Functions

Reversible recessed handle, with the possibility of manual mode operation (for doors) or automatic operation (for windows), to enable side locking of sliding sashes. The Brio Plus handle allows crossing and overlapping of the two sashes.



BRIO PLUS HANDLE WITH INTERNAL KEY

02883N

Functions

Reversible recessed handle, with manual operation (for doors) enabling side locking of sliding sashes. The product allows crossing and overlapping of the two sashes during opening.

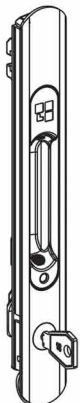


BRIO HANDLE

02992N

Functions

Reversible recessed handle, with the possibility of manual operation (for doors) or automatic operation (for windows), to enable side locking of sliding sashes.



BRIO HANDLE INTERNAL KEY

02892N

Functions

Reversible recessed handle, with manual operation (for doors) enabling side locking of sliding sashes.

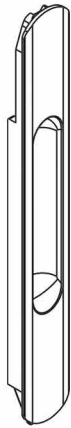


BRIO MINI 165 HANDLE

02988N

Functions

Reversible recessed handle with automatic coupling for side locking and simultaneous overlap of the sashes of an aluminium sliding window.

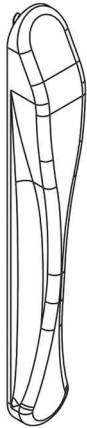


BRIO EXTERNAL RECESS PULL HANDLE

02980

Functions

The external Brio pull handle, combined with a Brio recessed handle, enables the end user to move the sash of a sliding door easily and effortlessly.

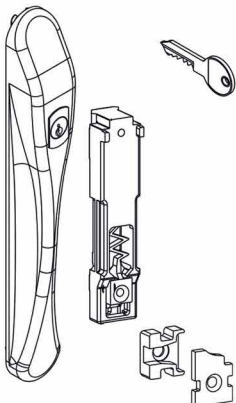


BRIO EXTERNAL PULL HANDLE

02966N

Functions

The external Brio pull handle, combined with a Brio or Brio MD recessed handle, enables the end user to move the wing of a sliding door with ease.

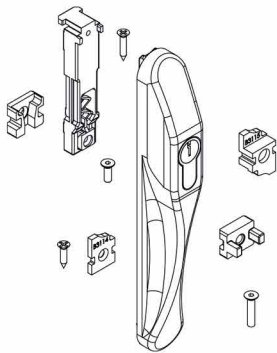


BRIO KEY EXTERNAL PULL HANDLE

02967V

Functions

The external Brio Key drive handle, combined with a Brio Plus or Brio Plus MD recessed handle, enables the end user to open and close a sliding door easily and safely.



EXTERNAL HANDLE WITH BRIO EUROPEAN KEY

02996

Functions

The external Brio Key pull handle, combined with a Brio Plus or Brio Plus MD recessed handle, enables the end user to open and close a sliding door safely and easily.

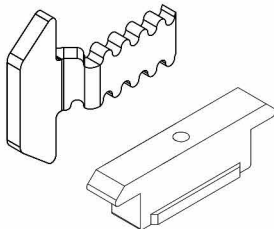


BLIND BRIO HANDLE

02895

Functions

The Brio Cieca handle performs the simple function of driving a sliding rod in the case of 4-sash fixtures with opposing sashes.



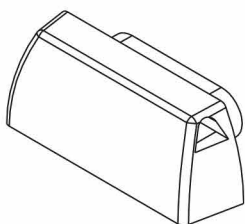
BRIO BIG NIB + COUNTER PLATE

04530 + 03327

Functions

Brio Big nibs, combined with a counterplate, enable making the fastening mechanism of sliding casements.

Brio Big nibs can be used in combination with the full Brio range (Plus, Rapid, Mini, City including the Key versions).



DRAINAGE HOLE CAP

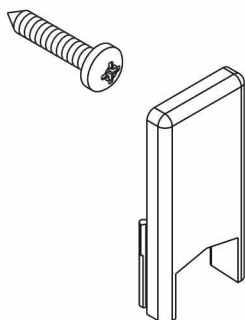
02282

Functions

Cap complete with valve obtained without pre-assembly, which allows draining the water from inside the tubular profile and prevents air flowing from outside.

MACHINING COVERS

03144

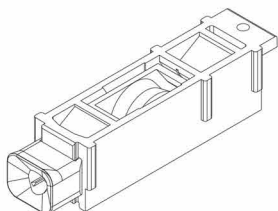


Functions

Cap covering the machining on the central upright of sliding sashes.
Fixing is by means of a self-tapping screw.

CARRERA 1 ADJUSTABLE PULLEY

03290

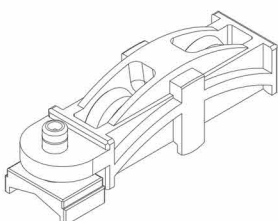


Functions

Adjustable pulley with one wheel for doors and windows in aluminium.

FIXED CARRERA 1 PULLEY

06954

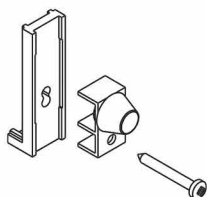
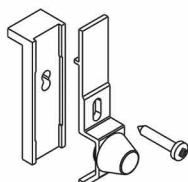


Functions

Fixed pulley with two wheels for doors and windows in aluminium.

BURGLAR-PROOF AND DAMPER PLUGS

02290

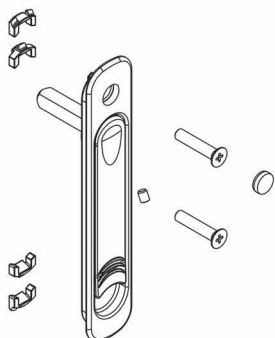


Functions

Burglar-proof damper plugs, specifically designed for aluminium sliding doors and windows.

RECESSED WINDOW HANDLE

02760

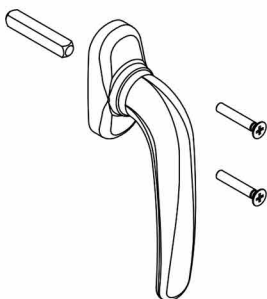


Functions

The recessed handle is designed to activate 7mm gear box mechanism, as the multilocking Champion Plus.

PRIMA WINDOW HANDLE

02762

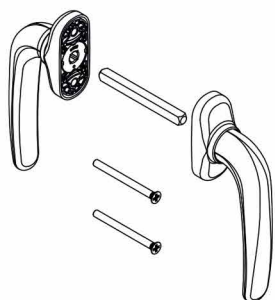


Functions

Handle to be installed into the active shutter of a sliding casement.

DOUBLE PRIMA WINDOW HANDLE

02763

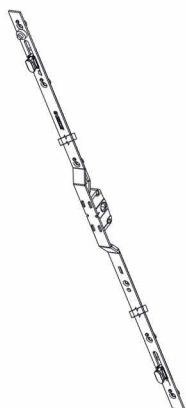


Functions

Handle to be installed into the active shutter of a sliding casement (balcony door).

CHAMPION PLUS MULTILOCK

02720



Functions

Complete system of multi-lock rods (1 to 3 points) for sliding windows or balcony-doors made of aluminium.



CHAMPION PLUS MULTILOCK

02721

Functions

Complete system of multi-lock rods (1 to 3 points) for sliding windows or balcony-doors made of aluminium.



CHAMPION PLUS MULTILOCK

02722

Functions

Complete system of multi-lock rods (1 to 3 points) for sliding windows or balcony-doors made of aluminium.

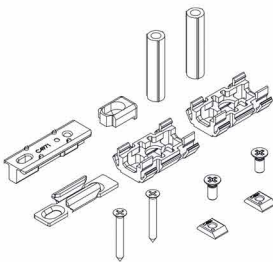


CHAMPION PLUS MULTILOCK

02723

Functions

Complete system of multi-lock rods (1 to 3 points) for sliding windows or balcony-doors made of aluminium.



CHAMPION PLUS KIT

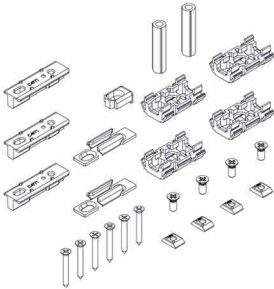
06321

Functions

Kit composed of the components for adapting and fixing the rod to the sash profile and counterplates and their shims to be applied on the frame.

CHAMPION PLUS KIT

06322

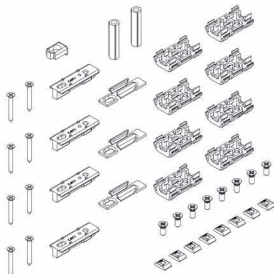


Functions

Kit composed of the components for adapting and fixing the rod to the sash profile and counterplates and their shims to be applied on the frame.

CHAMPION PLUS KIT

06323

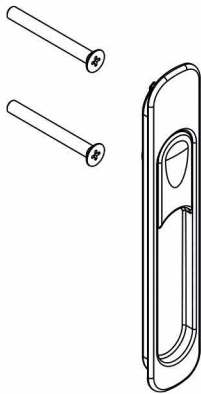


Functions

Kit composed of the components for adapting and fixing the rod to the sash profile and counterplates and their shims to be applied on the frame.

EXTERNAL RECESS PULL HANDLE

02764

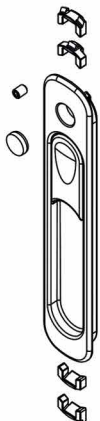


Functions

The external recess pull handle has the function of pulling a sliding sash and works in conjunction with a window handle on the inside of the casement.

BLIND INTERNAL RECESS PULL HANDLE

02765



Functions

Blind recess handle to be applied on the opposite sash which has the sole function of drawing.



**NATIONAL ALUMINIUM
PRODUCTS COMPANY SAOG**

OMAN

Corporate Office and Factory
National Aluminum Products Co.
PO Box 15, Rusayl, PC 124, Sultanate of Oman
Phone: +968 24446450, Fax: +968-24446453
Email: sales@napco.co.om, info@napco.co.om

UAE

National Aluminum Products Co. - Branch Office
PO Box 116912, Dubai,
Office 34, Shuraa Business Center
6C Al Abraj St, Business Bay, 29th floor-Prime Tower-Dubai
Phone: +971 045236200

INDIA

NAPCO Extrusions India LLP
4 , Odyssey IT Park,
Road No. 9, Wagle Industrial Estate,
Thane (West) - 400604.
Phone: +91 2220814444

www.napcooman.com