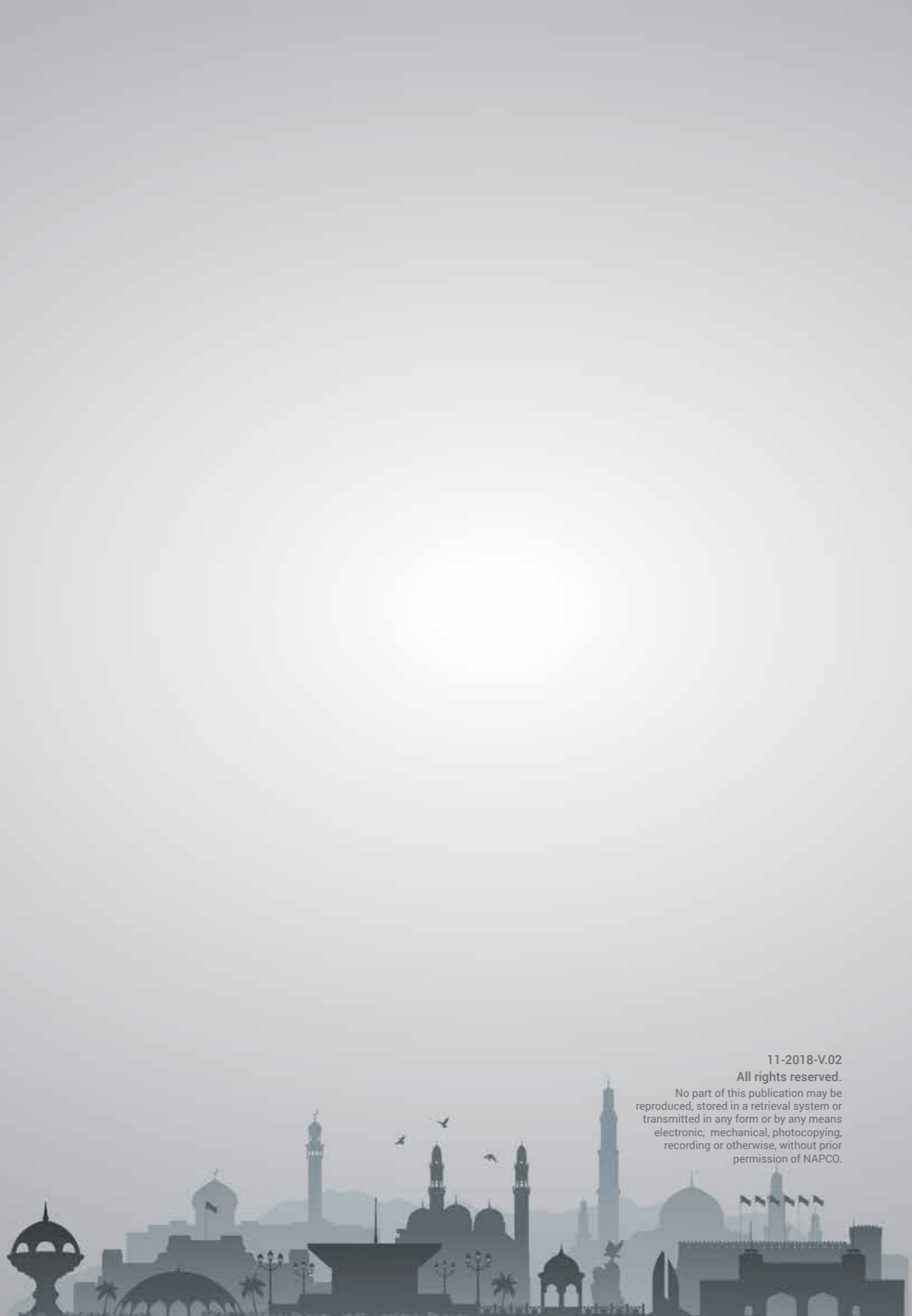




NATIONAL ALUMINIUM
PRODUCTS COMPANY SAOG

Cloud 55 Catalogue



11-2018-V.02

All rights reserved.

No part of this publication may be reproduced, stored in a retrieval system or transmitted in any form or by any means electronic, mechanical, photocopying, recording or otherwise, without prior permission of NAPCO.



HIS MAJESTY SULTAN QABOOS BIN SAID



Index

Company Profile	05
Technical Information	06
Cloud 55	08
Accessory List	38

About Us

National Aluminium Products Company SAOG (NAPCO) was established in 1984 and is one of the leading extruders of aluminium profiles in the GCC market. Located in the Sultanate of Oman, the manufacturing plant is spread over 65,000 sq meters in the Rusayl Industrial estate.

NAPCO offers a wide range of Aluminium profile extrusions in finishes that suit functional modern design specifications. The company has left its mark on the architectural landscape of the Middle East with its renowned quality products being used in a number of prominent structures.

Our annual production capacity is 42,000 MT with four (4) state of the art presses. The extrusion presses are complemented by one anodizing line and two powder coating lines (vertical & horizontal). NAPCO also houses two wood finish lines and a crimping and bending facility.

NAPCO's commitment to quality has made it the first extrusion company in the Gulf to receive ISO certifications. We are also the only public limited aluminium extrusion company in the entire GCC.

With a consistent focus on innovative production skills and high service standards, we will continue our objective to meet customer demands and expectations.

Technical Information on Aluminium extrusions supplied by NAPCO

A. Equipment & Capacity

Extrusion Press: 4
2000 MT (8') SMS Germany
2800 MT (9') Danieli Breda, Italy
1800 MT (7') Tecalex, Spain
1800 MT (7') Tecalex, Spain

Powder Coating Plant: 2
Horizontal Type, Ercon, UK
Vertical Type, Trasmetal, Italy

Anodizing Line: 1

SAS, Germany

Wood Finish: 2 NATURALL, Italy.
Crimping & Bending Facility.

• Current Capacity Per Annum

Extrusion: 42,000
Powder Coating: 27,000
Anodizing: 2,400
Wood Finish: 1,500

B. General Specification

Max profile size CCD 305mm
(*indicative size)

C. Product Range

NAPCO offers a range of over 6000 profiles to suit the architectural and manufacturing industry. NAPCO also develops exclusive dies for customers against their own designs.

• Aluminium extrusions in:

Mill Finish
Anodized
Powder Coated and Natural Wood Finish

• Façade Systems:

NAPCO is in partnership with world renowned façade system houses in the GCC. Please contact us to discuss your best-fit solution.

D. Anodizing

NAPCO has one anodizing line employing sulphuric acid anodizing process offering a wide range of colour shades such as Silver, Bronze and Black with scope of development of other shades to suit customer requirements.

Specifications: DC Sulphuric Acid Anodizing
As per EN 1 - 12373 and BS 1991 3987
Qualanod Approved

E: Powder Coating

NAPCO has two powder coating lines (horizontal & Vertical) with IR curing ovens. The colour coat thickness in exposed areas is Around 80-60 microns. The new vertical line is able to accommodate profile lengths up to 8 meters.

Qualicoat Approved.

Natural finish is available in seven combinations of Wood patterns.

Specification: As per 6496

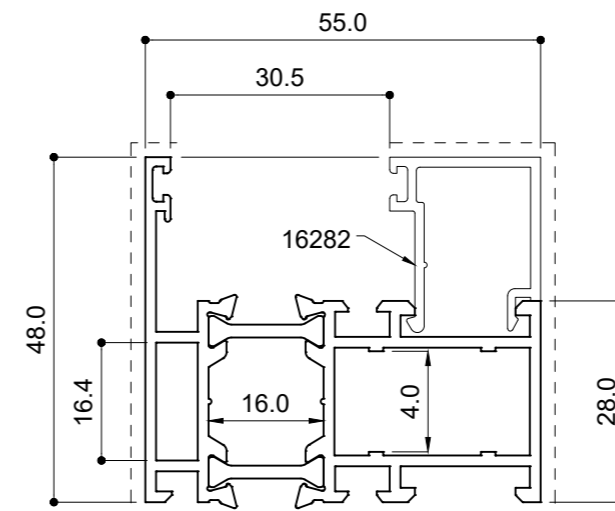
F. Certifications



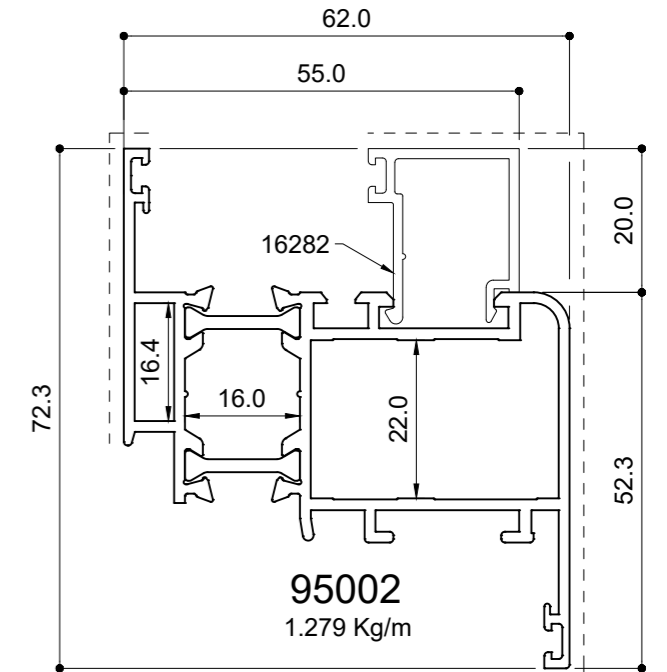
CLOUD 55



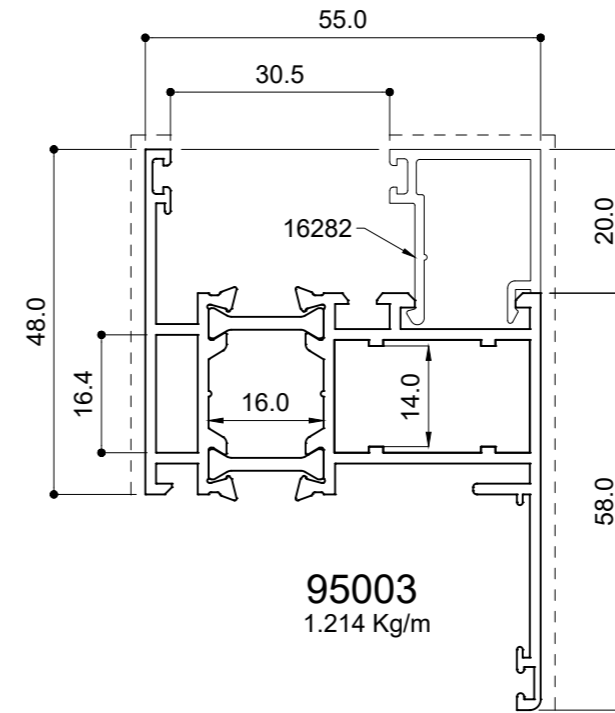
Cloud 55



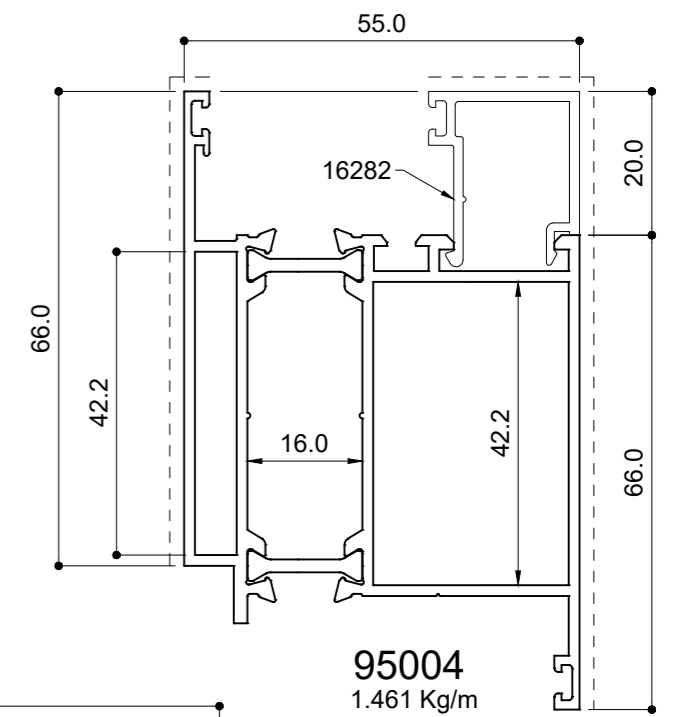
95001
1.090 Kg/m



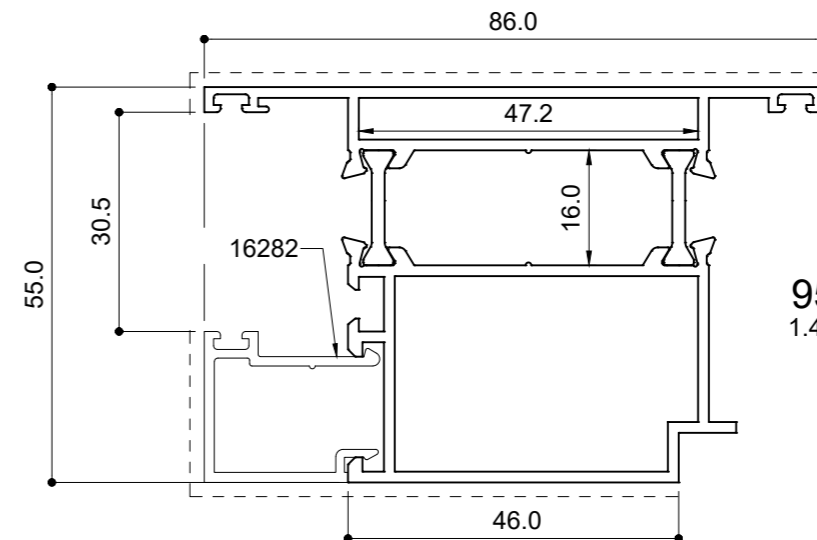
95002
1.279 Kg/m



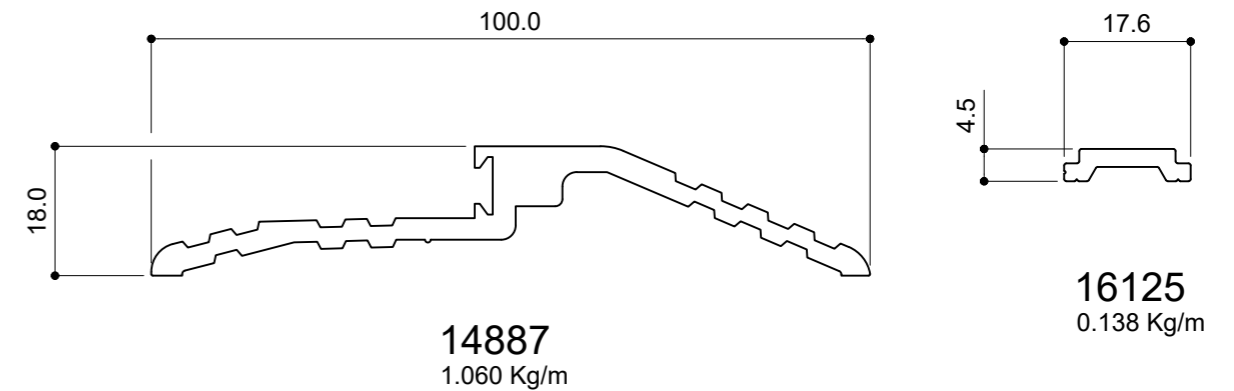
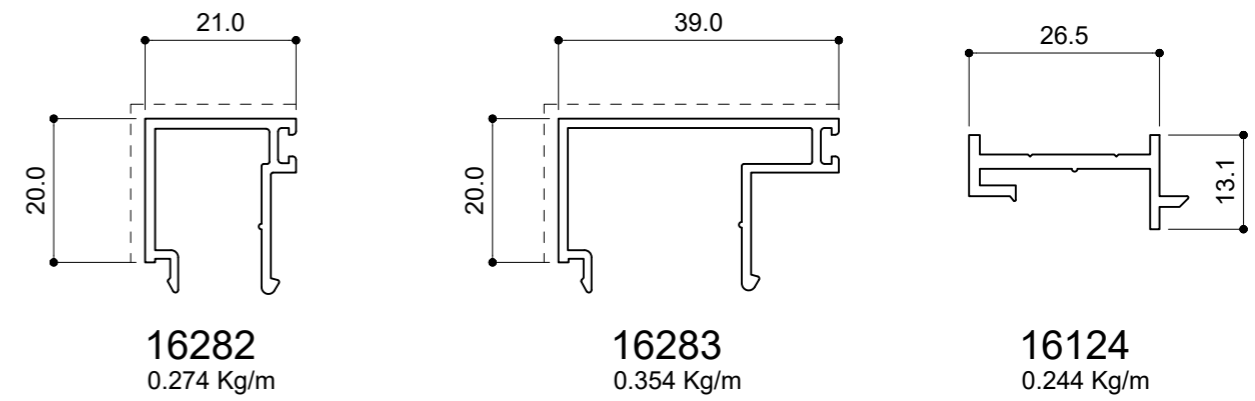
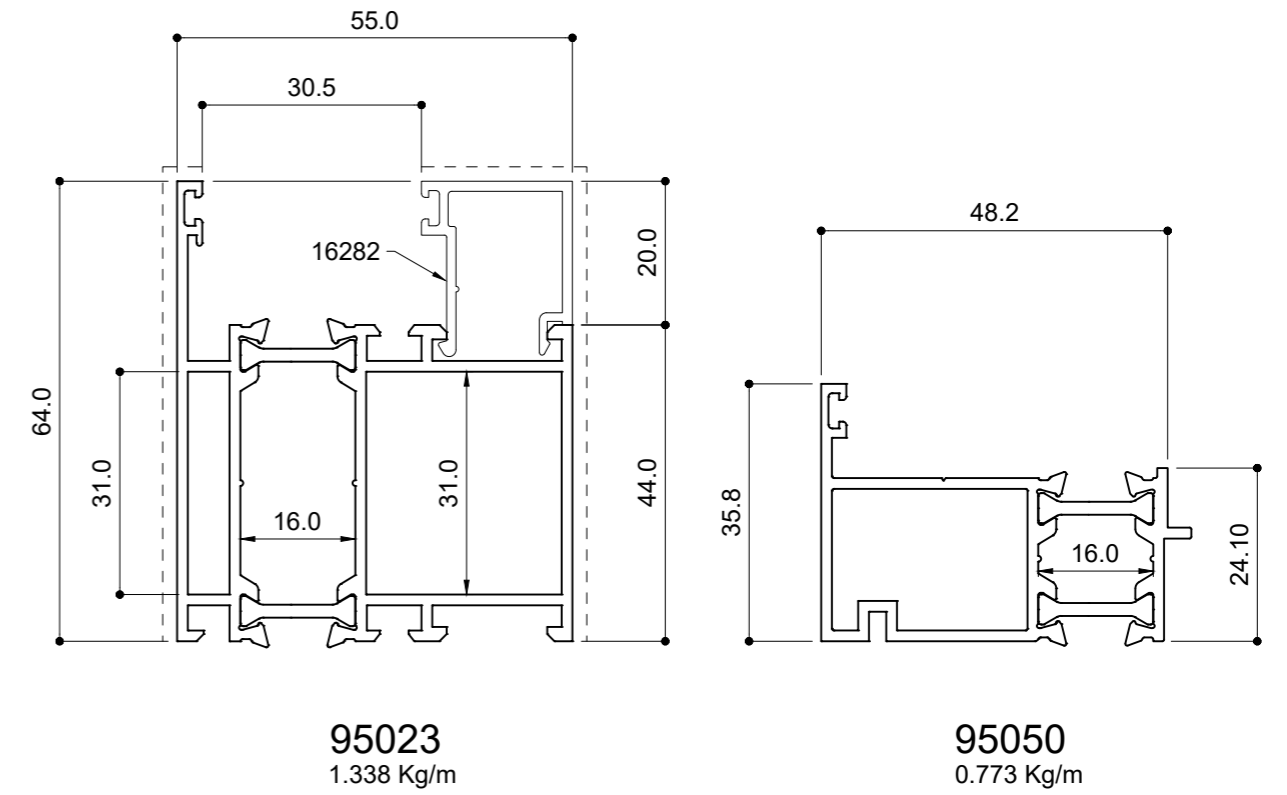
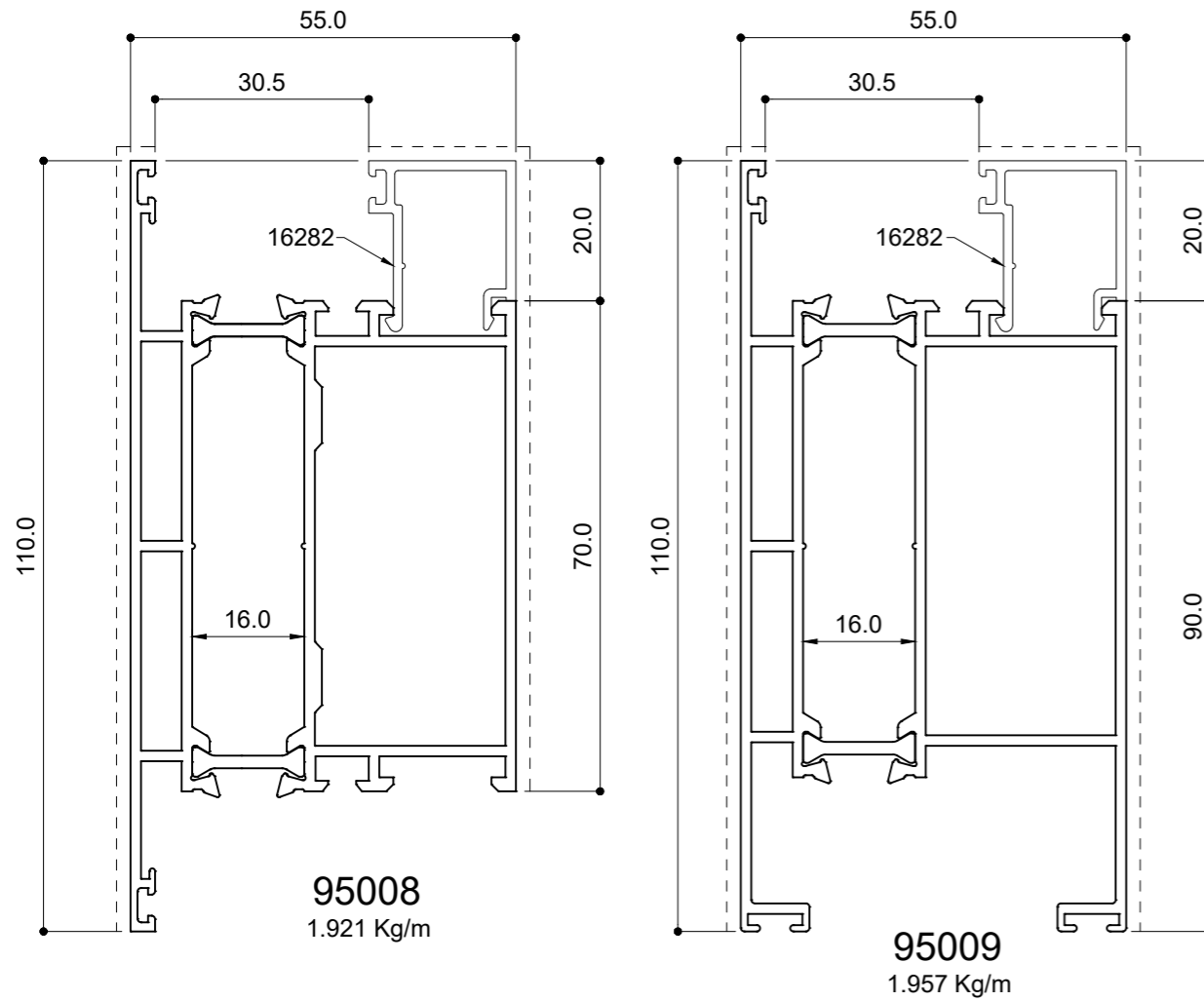
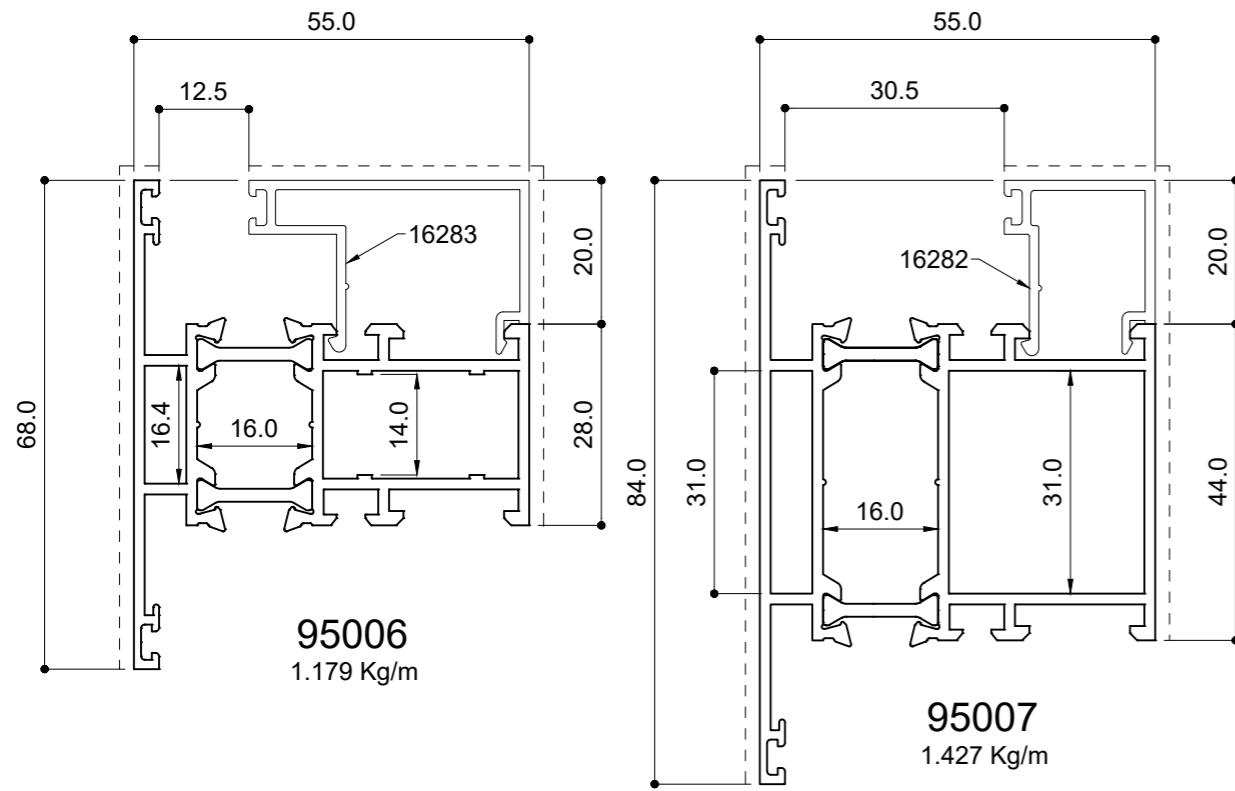
95003
1.214 Kg/m

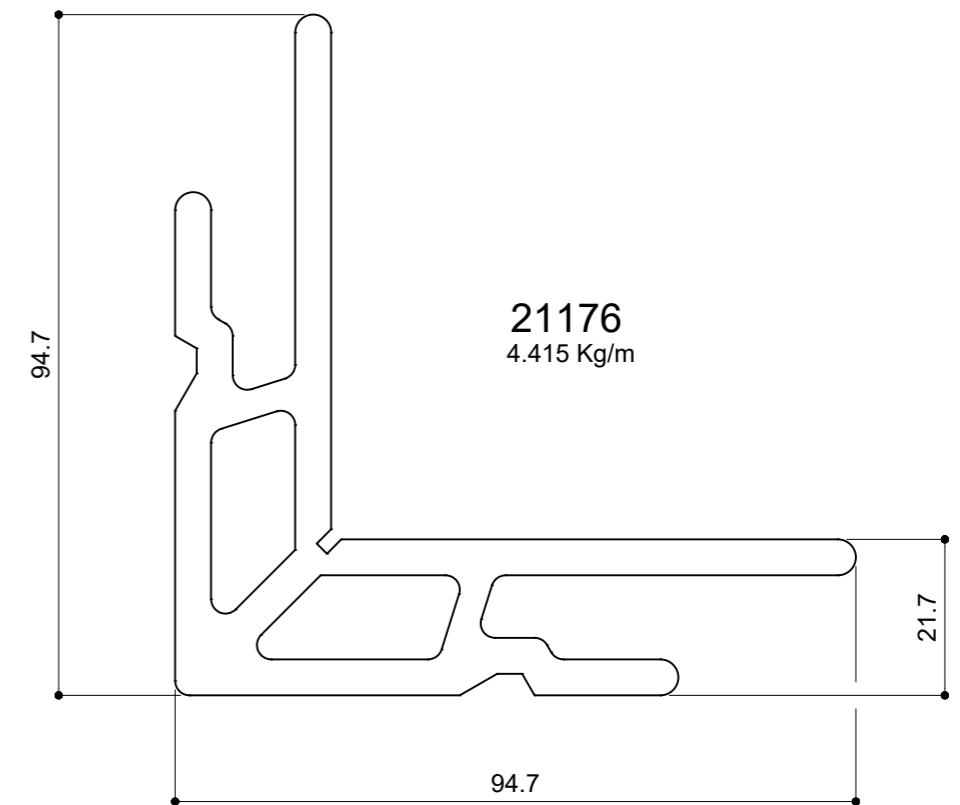
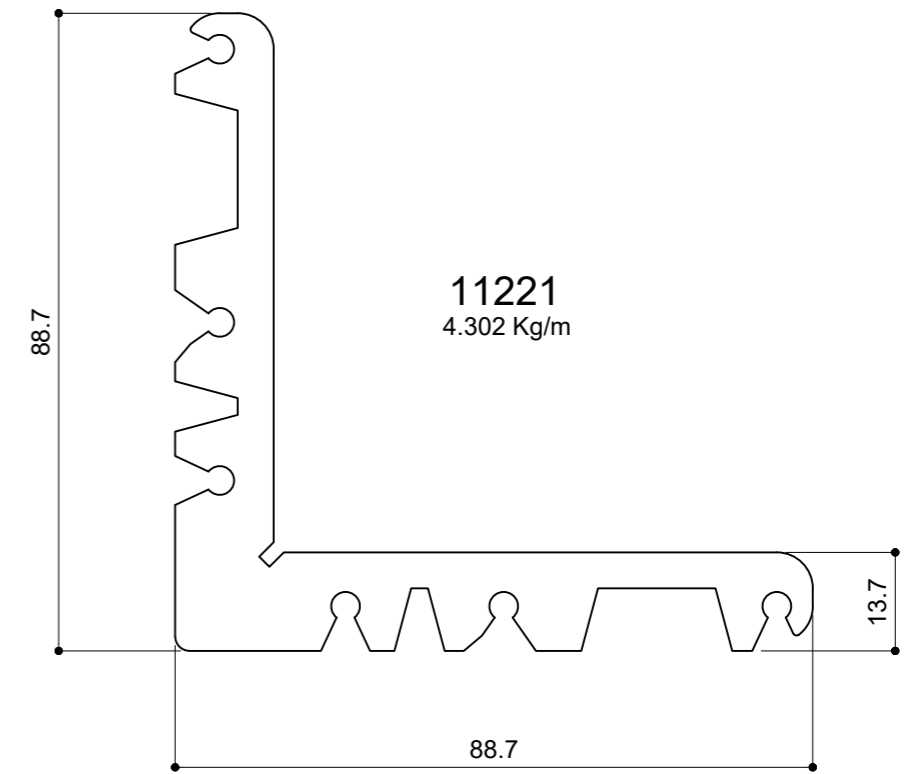
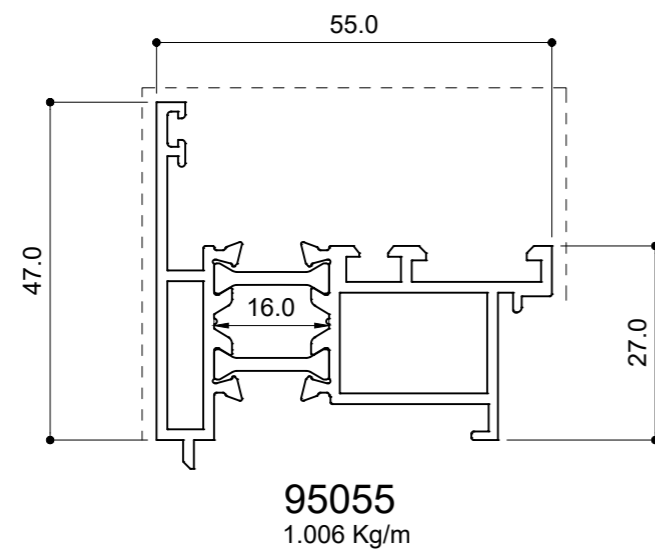
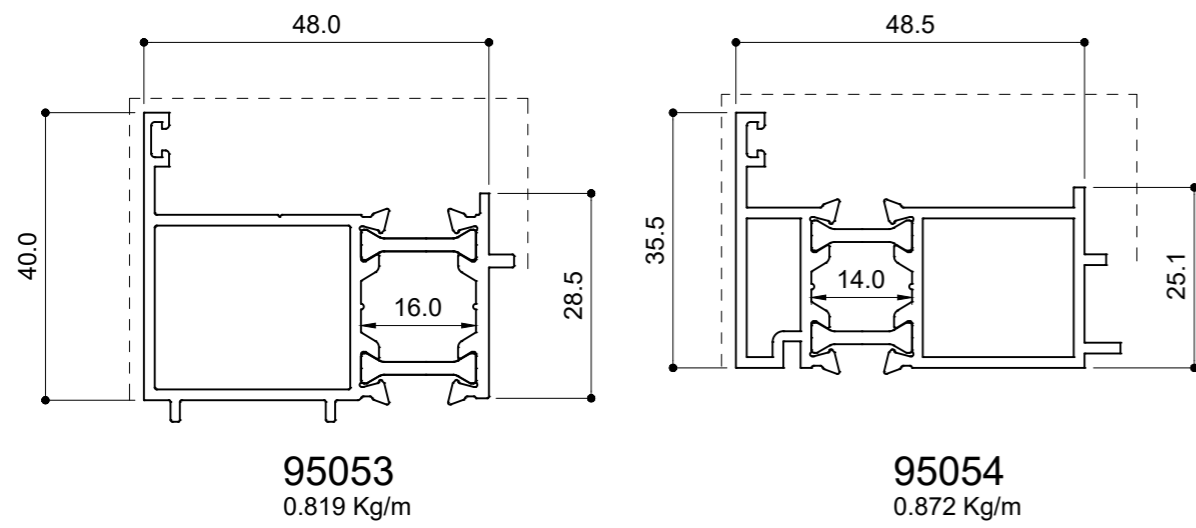
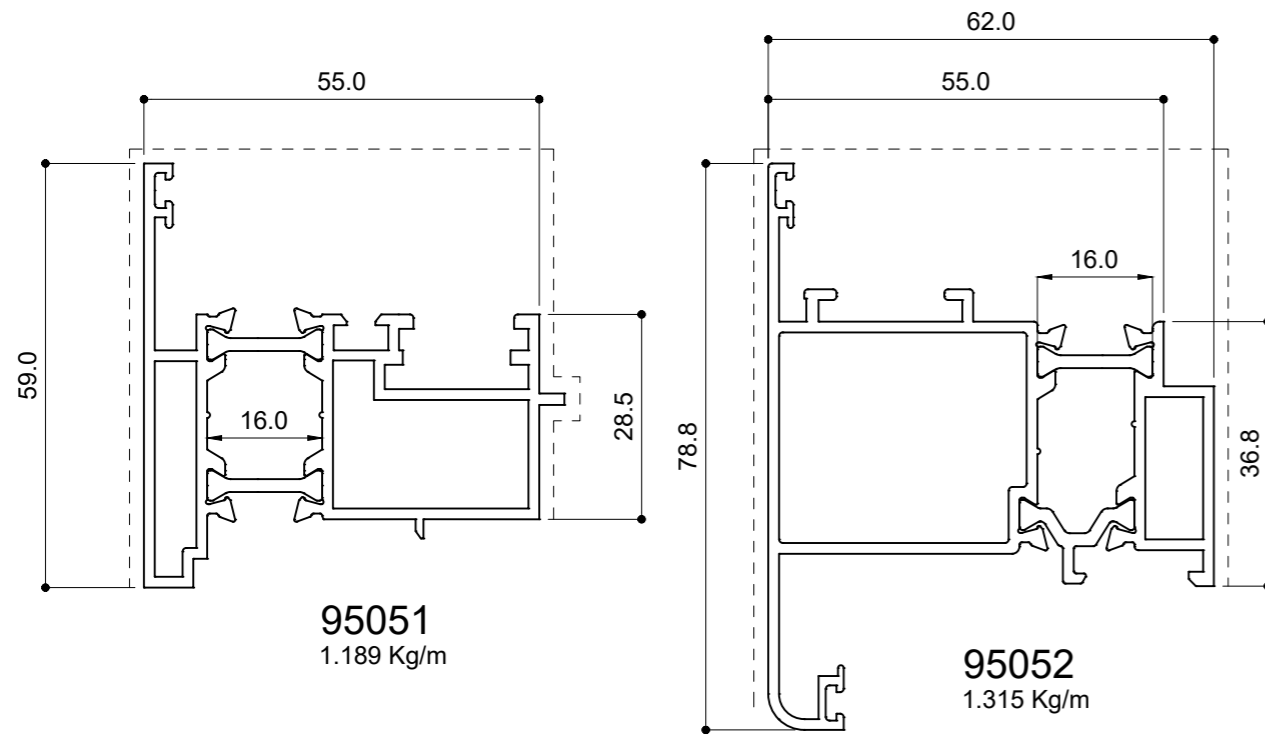


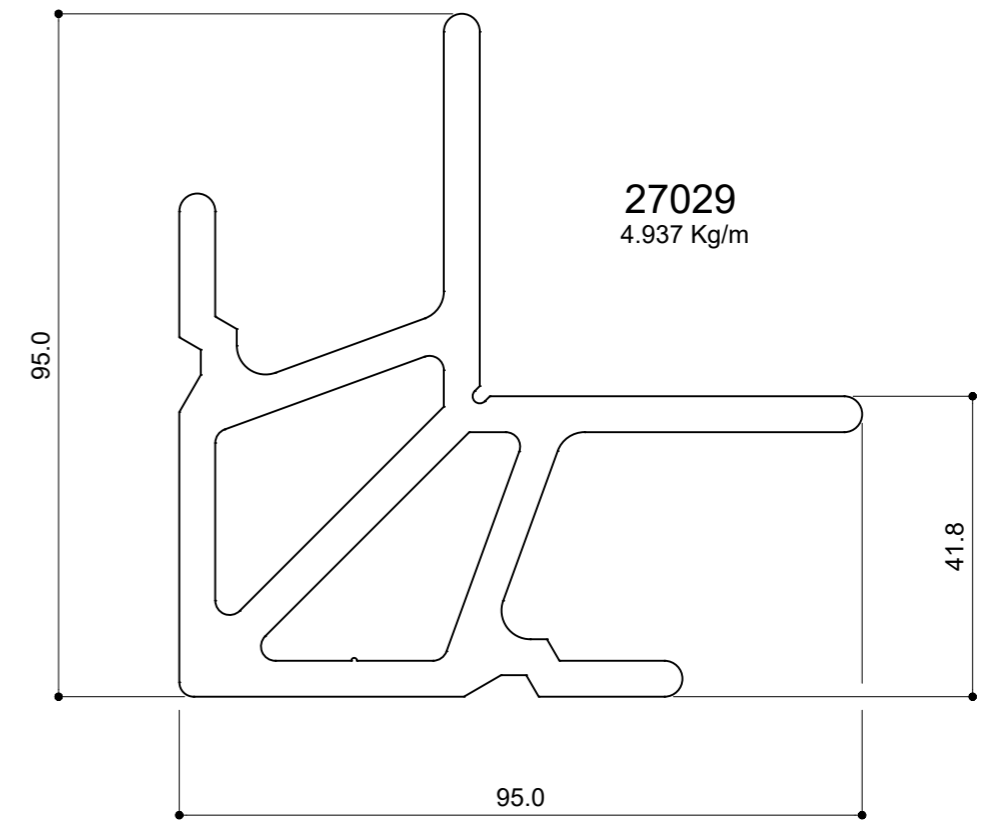
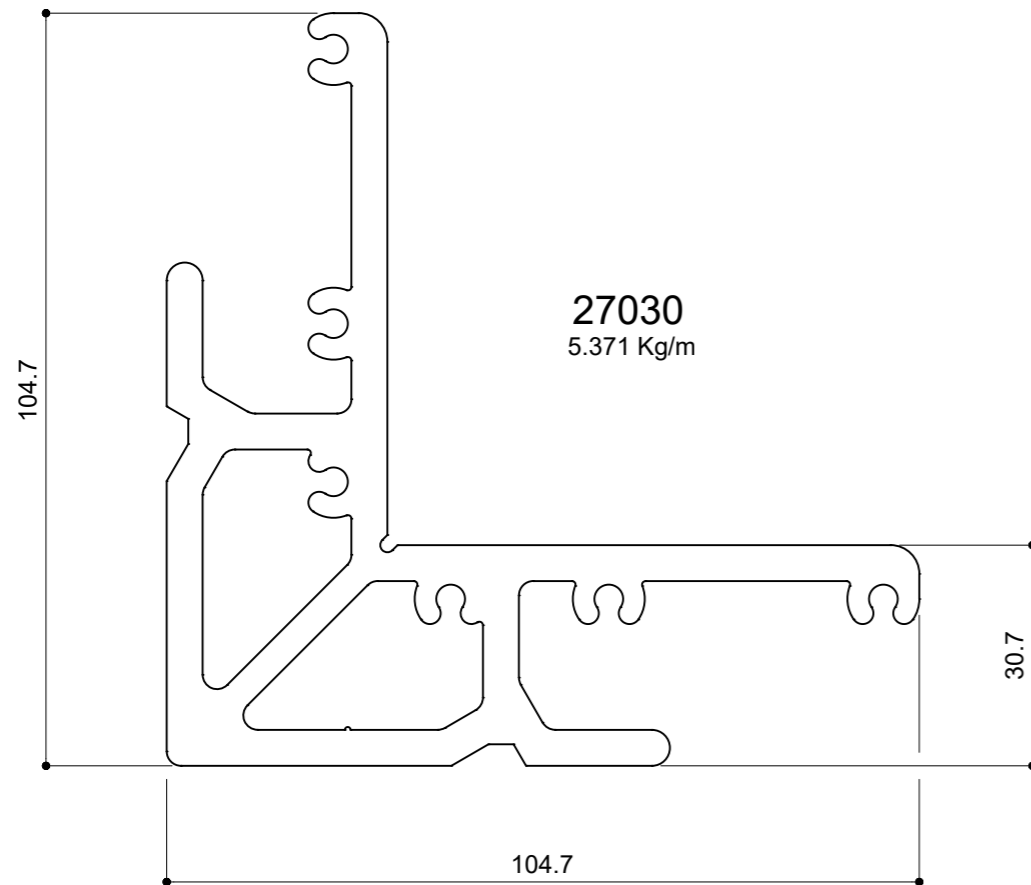
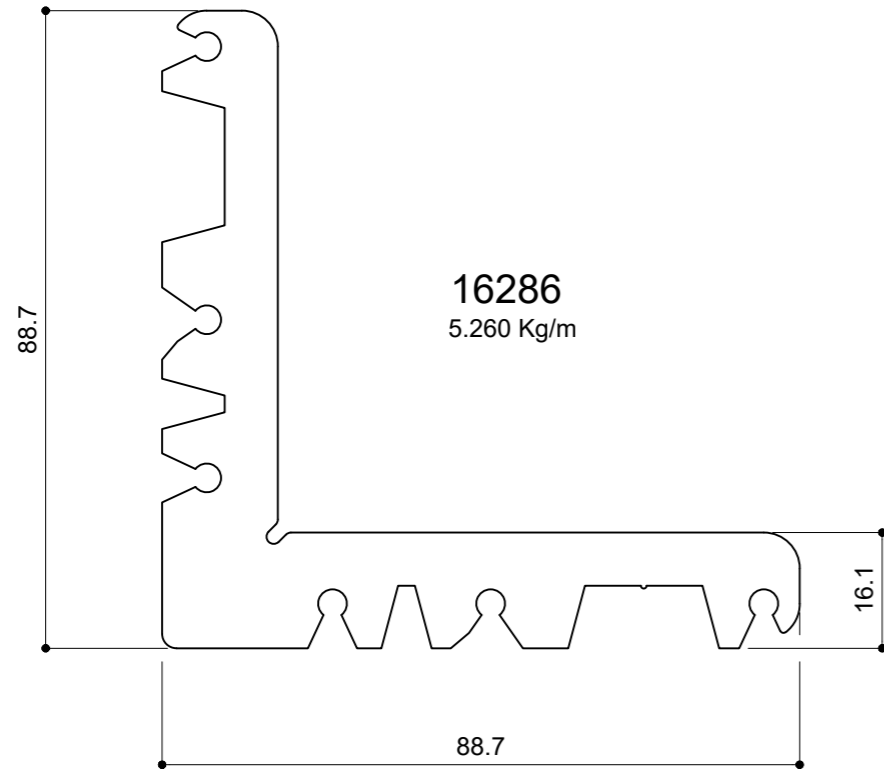
95004
1.461 Kg/m

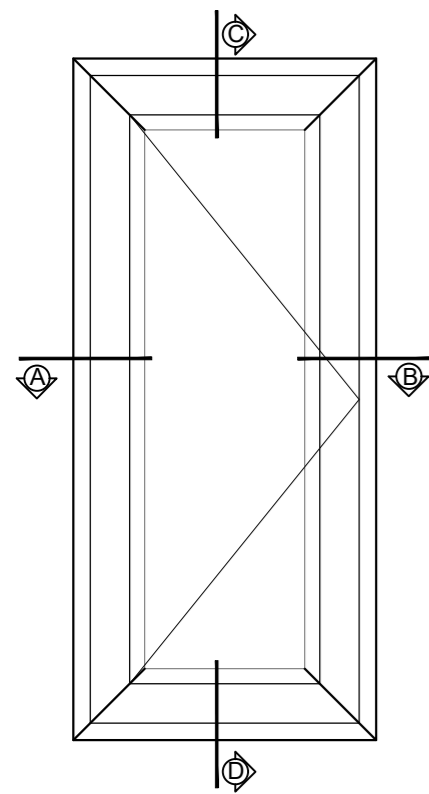


95005
1.470 Kg/m

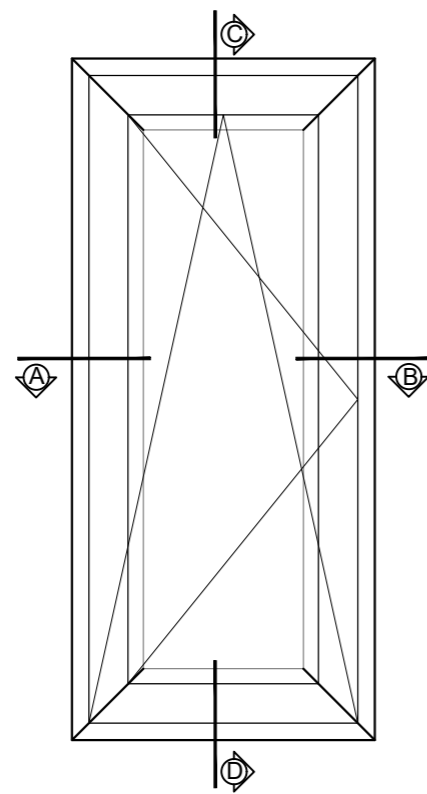




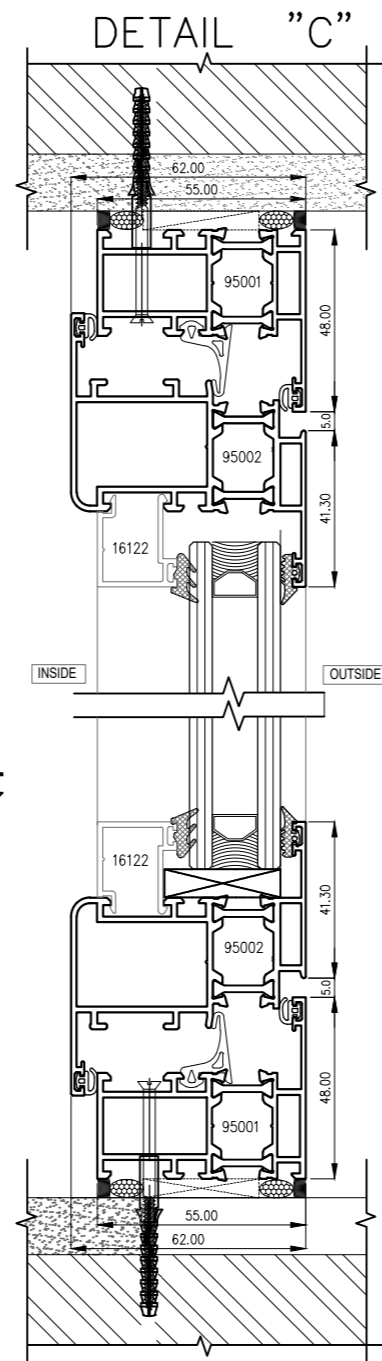




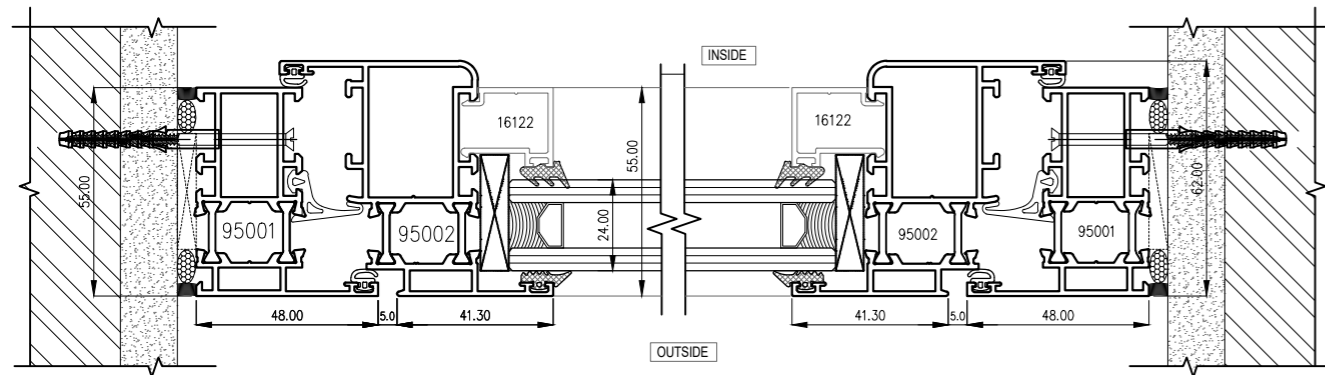
SINGLE LEAF HINGED WINDOW



TURN + TILT WINDOW

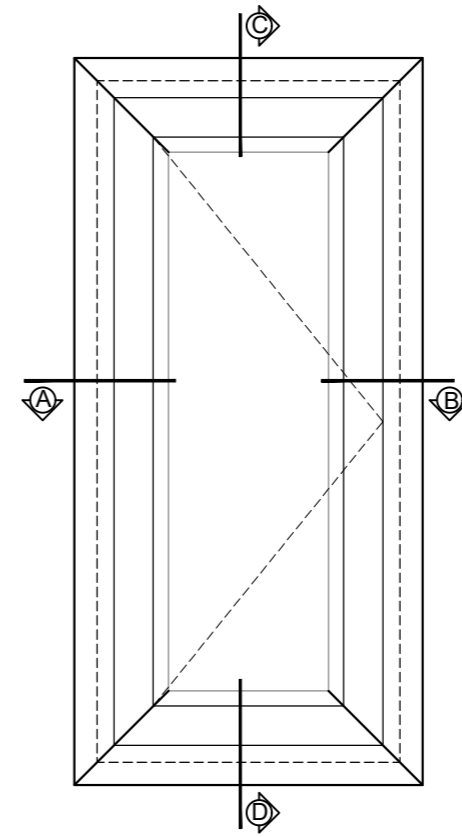


DETAIL "D"

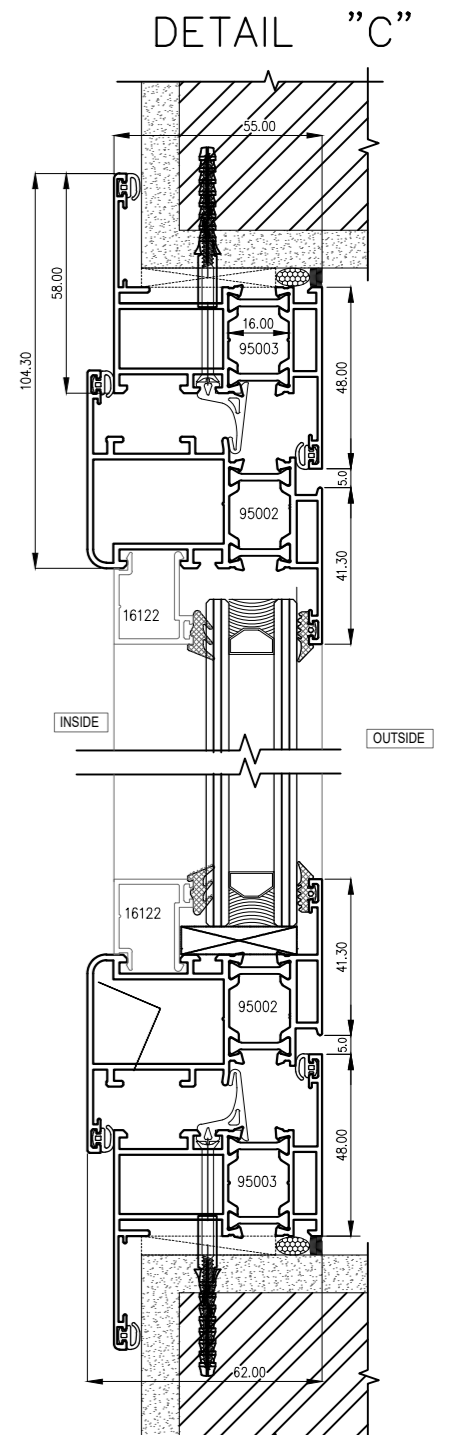


DETAIL "A"

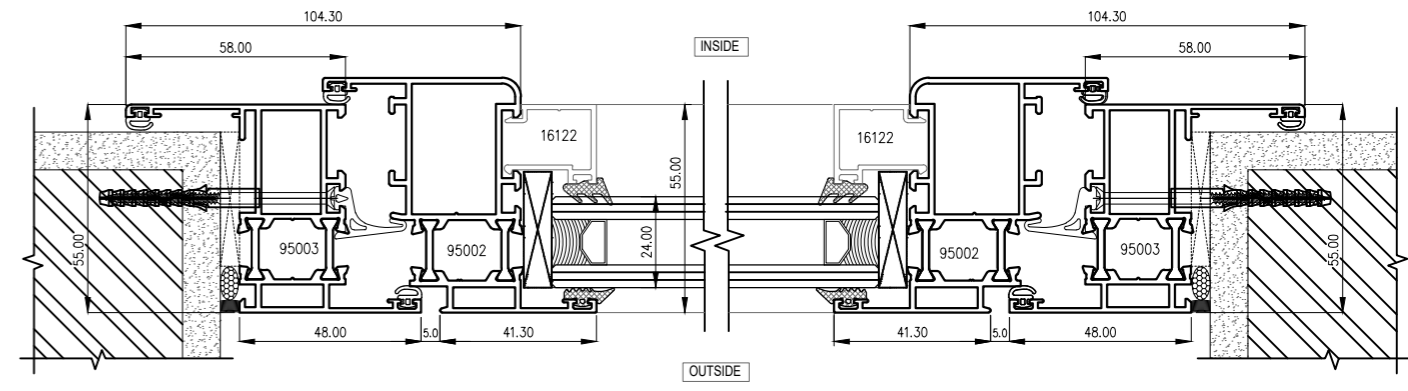
DETAIL "B"



SINGLE LEAF HINGED WINDOW

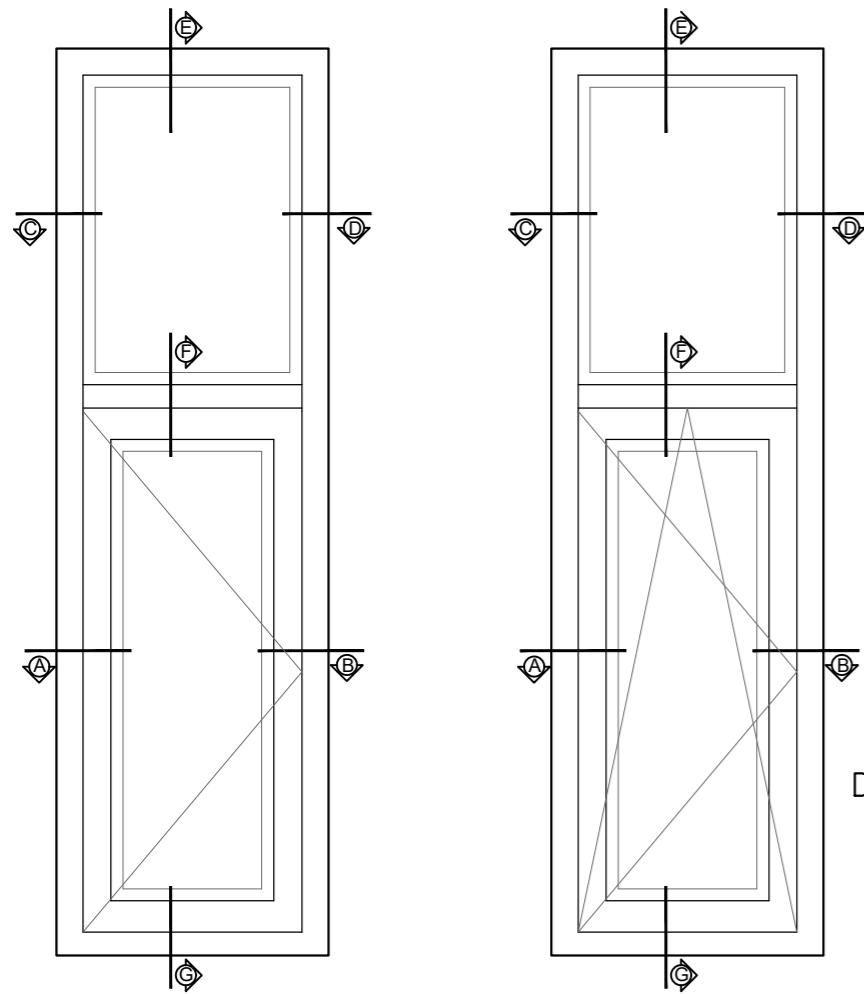


DETAIL "D"



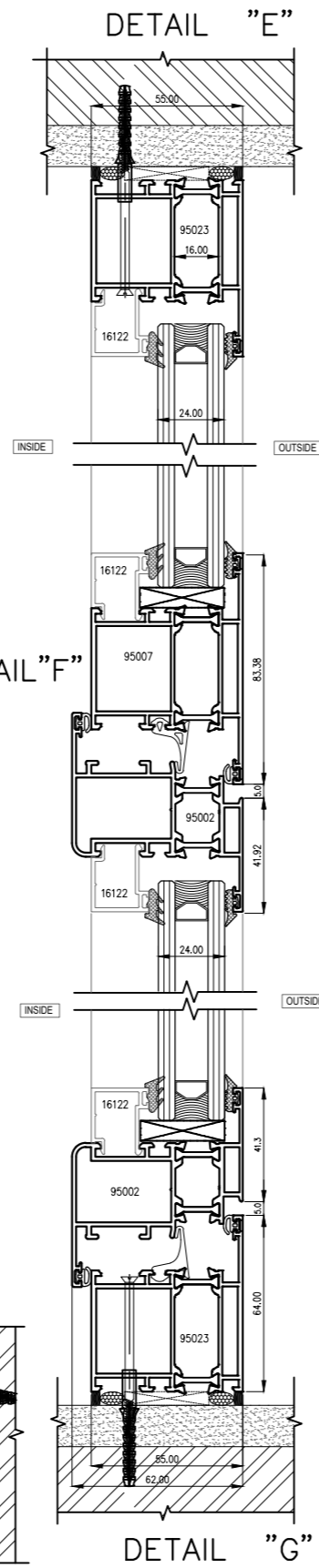
DETAIL "A"

DETAIL "B"



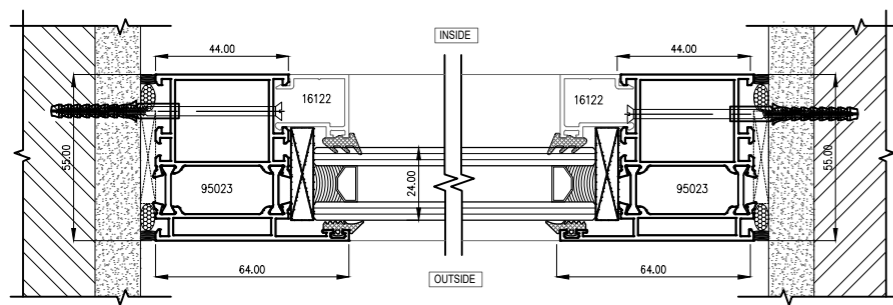
SINGLE LEAF HINGED WINDOW WITH TOP FIXED

TURN + TILT WINDOW WITH TOP FIXED



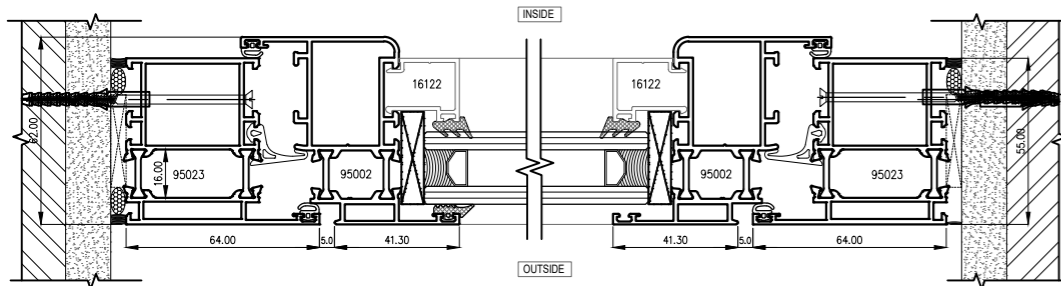
DETAIL "F"

DETAIL "G"



DETAIL "C"

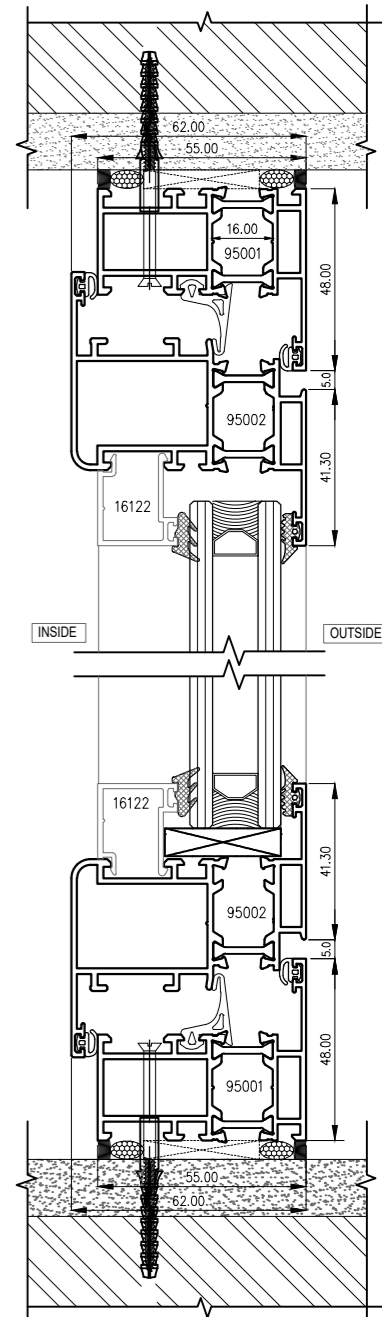
DETAIL "D"



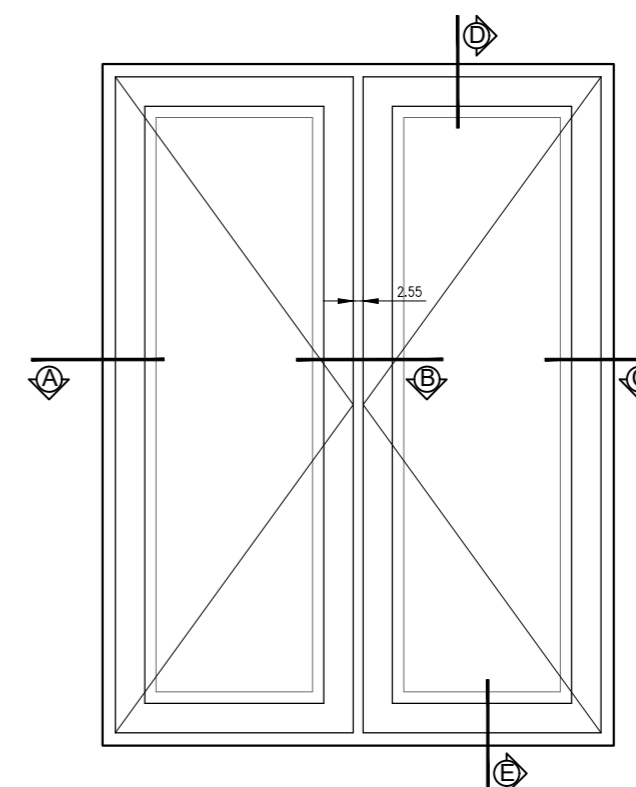
DETAIL "A"

DETAIL "B"

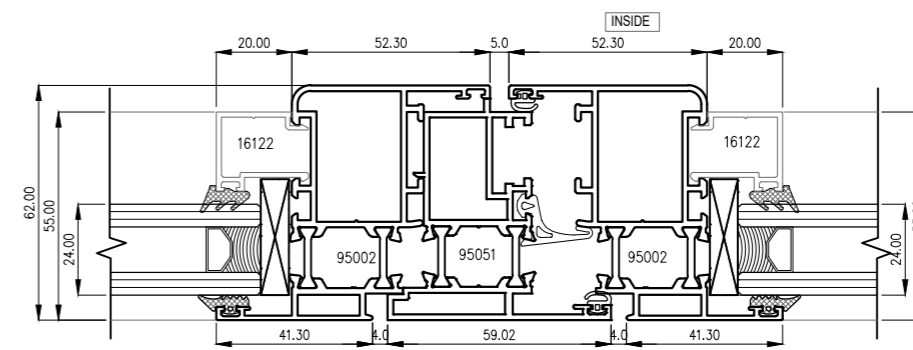
DETAIL "D"



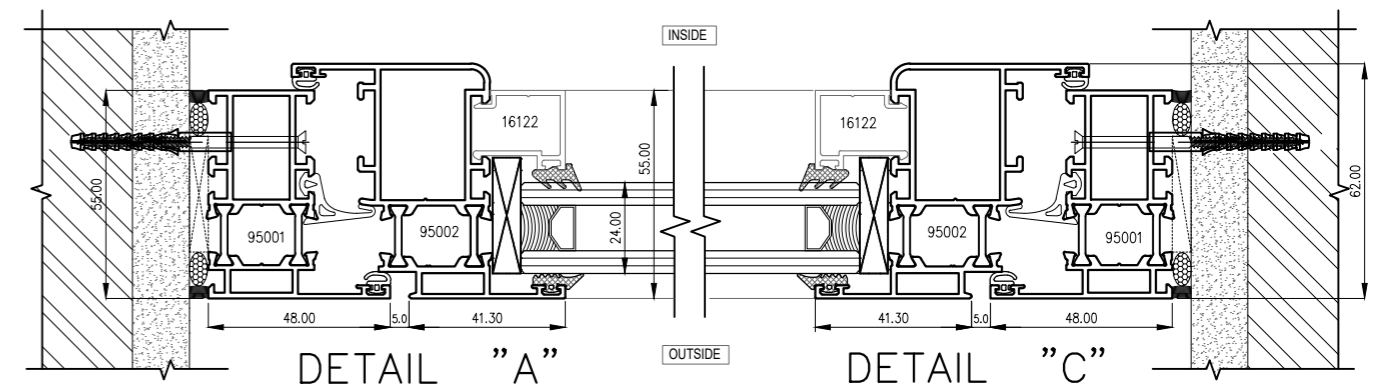
DETAIL "E"



DOUBLE LEAF HINGED WINDOW WITHOUT CENTRAL MULLION - OPEN IN

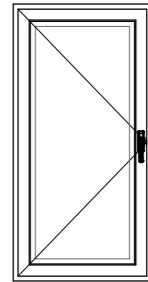


DETAIL "B"



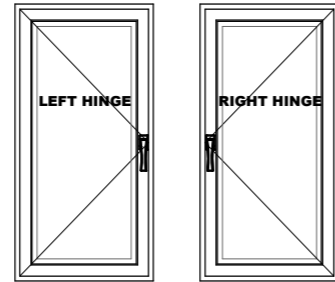
DETAIL "A"

DETAIL "C"



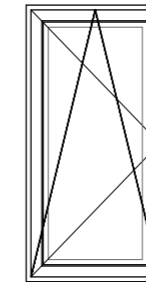
SIDE HUNG WINDOW INTERNAL OPENING

Mandetroy Accessories		
Accessories code	Description	Qty
00120U	Flsh base hinge	2
01000U	Cremona	1
02270	Internal opening kit	1
Additional Accessories		
00115U	3 leaf hinge	2
02030K	Friz Limiter arm	1
Additional Accessories (H >1200 W >1000)		
04030K	Adjustable Pawl	4
01343K	Striker	4
04019K	Corner Drive	2



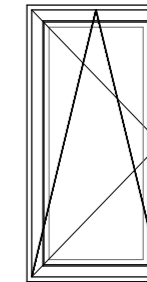
SIDE HUNG WINDOW INTERNAL OPENING (CONCEALED)

Mandetroy Accessories		
Accessories code	Description	Qty
043540001	CHIC hinge (Right)	1
043540002	CHIC hinge (Left)	1
03962 /03963	Prima / Asia NP Supra Handles	1
03954	NP Mechanism	1
02114K	Rod Terminal	2
01322K	Single Striker	2
Additional Accessories		
02030K	Friz Limiter arm	1
Additional Accessories (H >1200 W >1000)		
04030K	Adjustable Pawl	4
01343K	Striker	4
04019K	Corner Drive	2



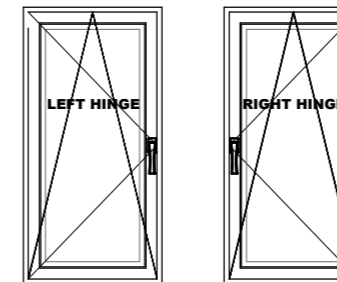
TILT AND TURN WINDOW 130KG

Mandetroy Accessories		
Accessories code	Description	Qty
04704	T&T mechanism	1
04711	T&T hinge	1
04284 04285	Arm type-1 (410 - 700mm) Arm type-2 (570 - 1800mm)	1
01039	Prima T&T Cremona	1
Additional Accessories (H >1200 W >1000)		
04030K	Adjustable Pawl	2
01343K	Striker	2
04770K	Additional closing kit (H >1200 W >1000)	1 / 2
04301K	Additional arm (W >1000)	1
02030K	Friz Limiter arm	1



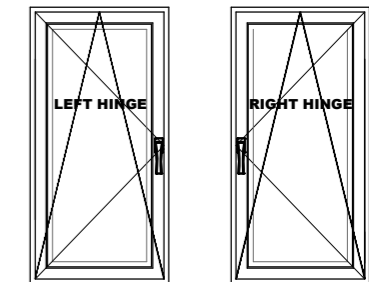
TILT AND TURN WINDOW 80KG (CLASSIC 80)

Mandetroy Accessories		
Accessories code	Description	Qty
04704	T&T mechanism	1
04739	T&T hinge	1
04339 04340	Arm type-1 (410 - 1300mm) Arm type-2 (570 - 1700mm)	1
01039	Prima T&T Cremona	1
Additional Accessories (H >1200 W >1000)		
04030K	Adjustable Pawl	2
01343K	Striker	2
04770K	Additional closing kit (H >1200 W >1000)	1 / 2
04301K	Additional arm (W >1000)	1
02030K	Friz Limiter arm	1



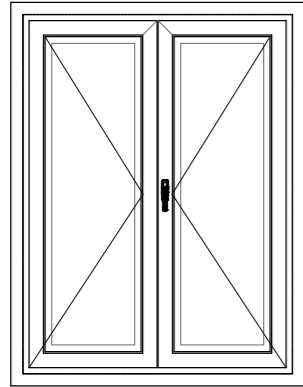
TILT AND TURN WINDOW CHIC & NP SUPRA (ARM TYPE-1)

Mandetroy Accessories		
Accessories code	Description	Qty
03955000	NP SUPRA T&T mechanism	1
043550001	CHIC T&T hinge Kit + T1 arm (Right) - 445 to 700mm	1
043550002	CHIC T&T hinge Kit + T1 arm (Left) - 445 to 700mm	1
03962FFF	NP SUPRA Prima Line	1
039623FFF	NP SUPRA Asia Line	1
Additional Accessories (H >1200 W >1000)		
04030K	Adjustable Pawl	2
01343K	Striker	2
04770K	Additional closing kit (H >1200 W >1000)	1 / 2
04301K	Additional arm (W >1000)	1
02030K	Friz Limiter arm	1



TILT AND TURN WINDOW CHIC & NP SUPRA (ARM TYPE-2)

Mandetroy Accessories		
Accessories code	Description	Qty
03955000	NP SUPRA T&T mechanism	1
043560001	CHIC T&T hinge Kit + T2 arm (Right) - 445 to 700mm	1
043560002	CHIC T&T hinge Kit + T2 arm (Left) - 445 to 700mm	1
03962FFF	NP SUPRA Prima Line	1
039623FFF	NP SUPRA Asia Line	1
Additional Accessories (H >1200 W >1000)		
04030K	Adjustable Pawl	2
01343K	Striker	2
04770K	Additional closing kit (H >1200 W >1000)	1 / 2
04301K	Additional arm (W >1000)	1
02030K	Friz Limiter arm	1



SIDE HUNG WINDOW INTERNAL OPENING



SIDE HUNG WINDOW INTERNAL OPENING (CONCEALED)

Mandetroy Accessories

Accessories code	Description	Qty
00120U	Fish base hinge	4
01000U	Euro Cremona	1
02387K	Connection block	1
02114K	Rod Terminal	2
01339K	Double Striker	2
02111K	Giap Bolt	2

Additional Accessories (H >1200 W >1000)

04030K	Adjustable Pawl	4
01343K	Striker	4
04019K	Corner Drive	2

Additional Accessories

00115	3 leaf hinge	4
02030K	Friz Limiter arm	1

Mandetroy Accessories

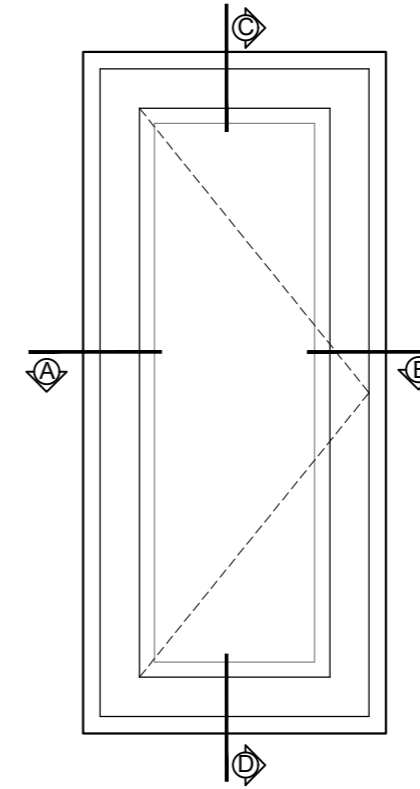
Accessories code	Description	Qty
043540001	CHIC hinge (Right)	1
043540002	CHIC hinge (Left)	1
03962 /03963	Prima / Asia NP Supra Handles	1
03954	NP Mechanism	1
02114K	Rod Terminal	2
01339K	Double Striker	2
02111K	Giap Bolt	2

Additional Accessories (H >1200 W >1000)

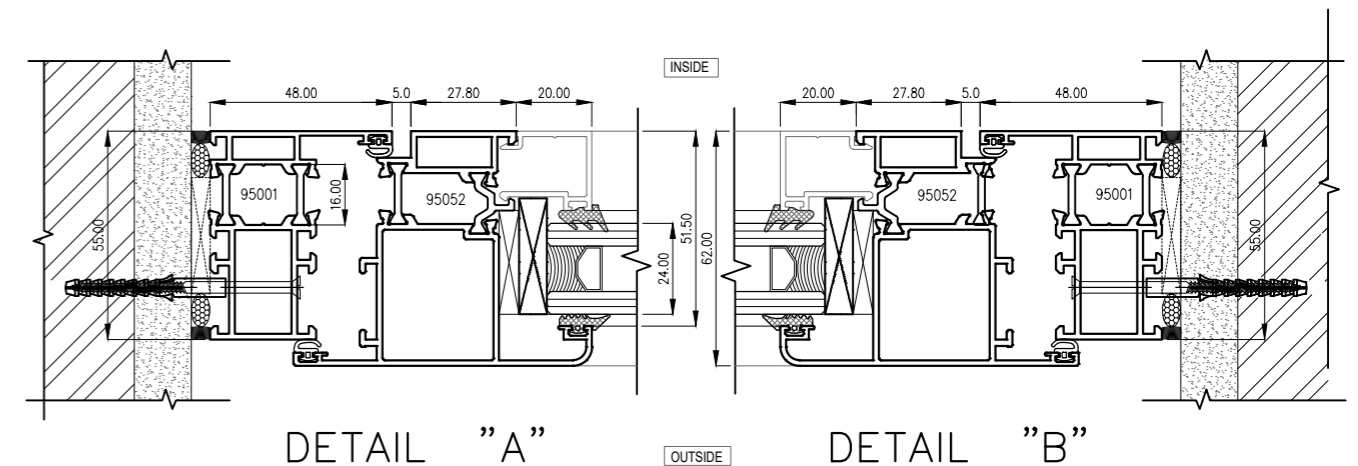
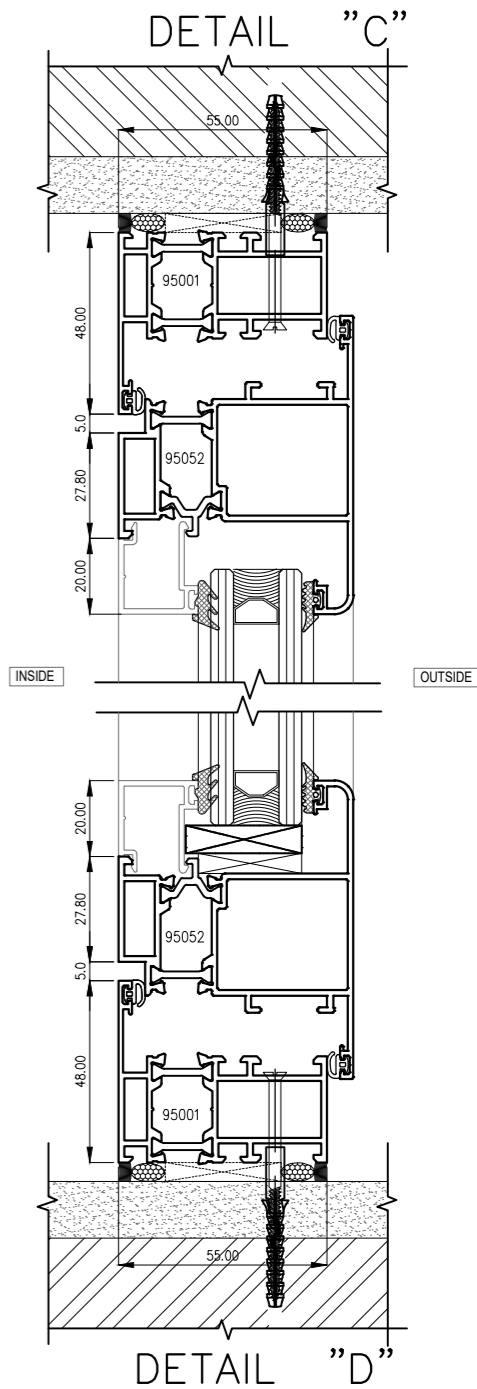
04030K	Adjustable Pawl	4
01343K	Striker	4
04019K	Corner Drive	2

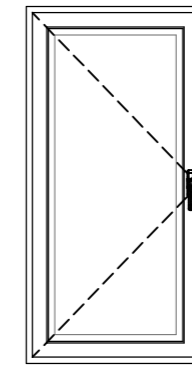
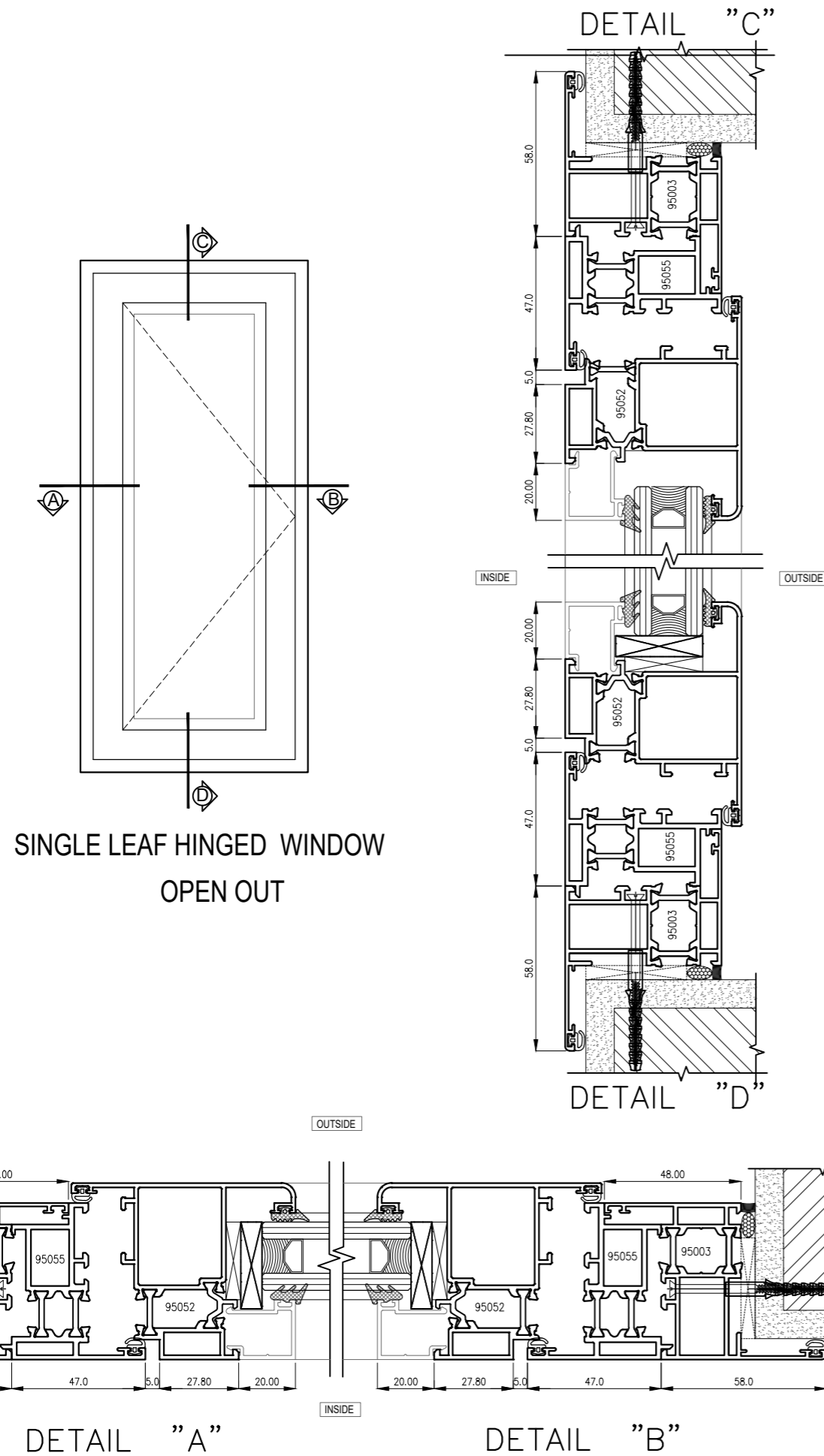
Additional Accessories

02030K	Friz Limiter arm	1
--------	------------------	---



SINGLE LEAF HINGED WINDOW OPEN OUT

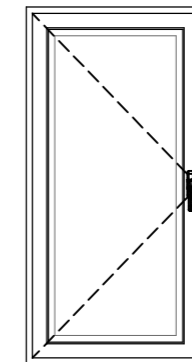




SIDE HUNG WINDOW EXTERNAL OPENING WITH BRIDGE HINGE

Mandetroy Accessories

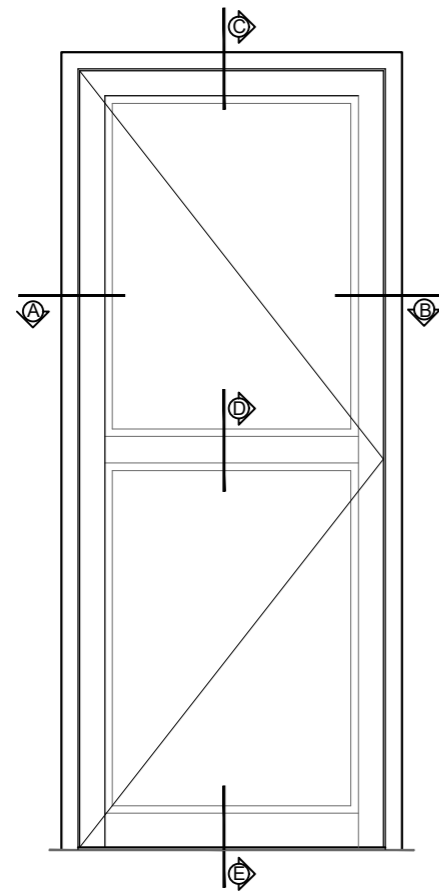
Accessories code	Description	Qty
00600X	Bridge hinge	2
01150	Unica Cremone	1
02410	55mm Fork	1
04099	Motion Transmition Element	1
04019K	Corner Drive	2
04030K	Adjustable Pawl	4
01343K	Striker	4
02030K	Friz Limiter arm	1



SIDE HUNG WINDOW EXTERNAL OPENING WITH EURO GROOVE ARM

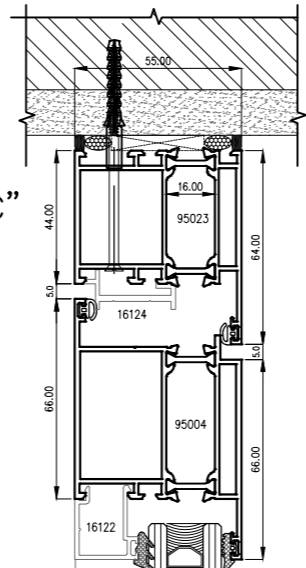
Mandetroy Accessories

Accessories code	Description	Qty
08349	GS HD Type Euro Groove 650 x 1500	1
08350	GS HD Type Euro Groove 700 x 1600	1
01150	Unica Cremone	1
02410	55mm Fork	1
04099	Motion Transmition Element	1
04019K	Corner Drive	2
04030K	Adjustable Pawl	4
01343K	Striker	4
02030K	Friz Limiter arm	1

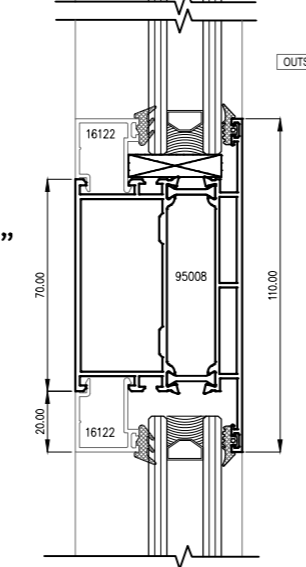


SINGLE LEAF HINGED DOOR
OPEN IN

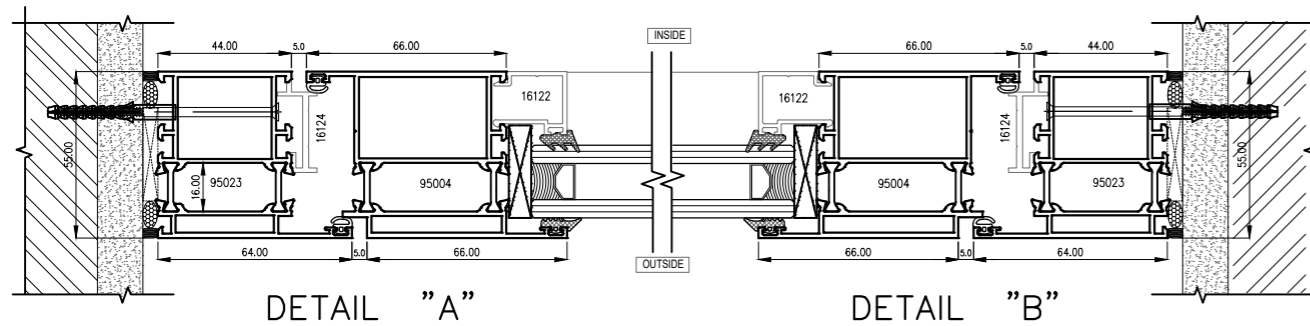
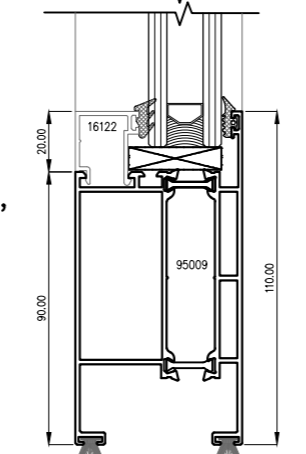
DETAIL "C"



DETAIL "D"

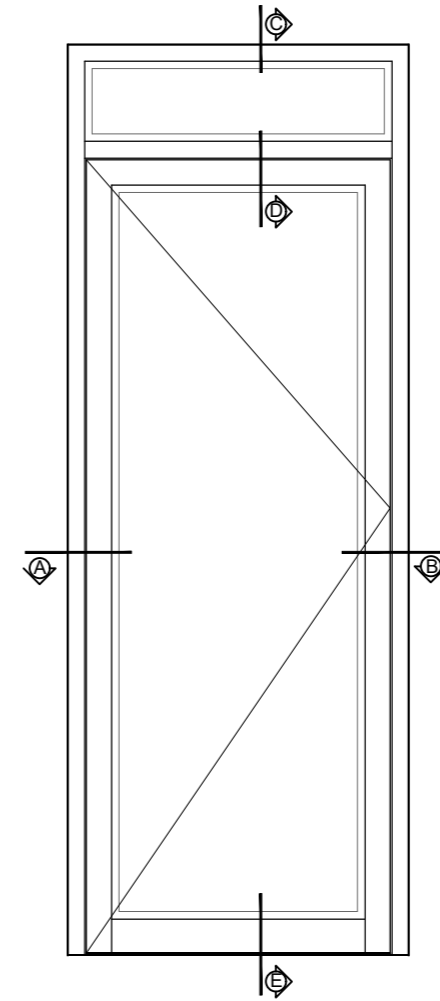


DETAIL "E"



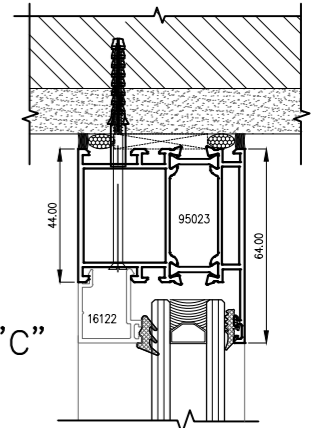
DETAIL "A"

DETAIL "B"

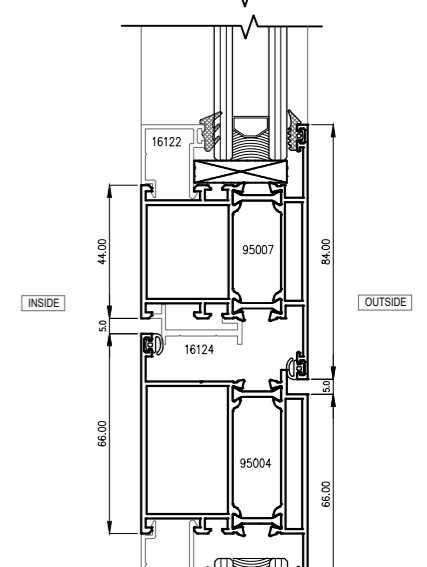


SINGLE LEAF HINGED DOOR WITH TOP FIXED
OPEN IN

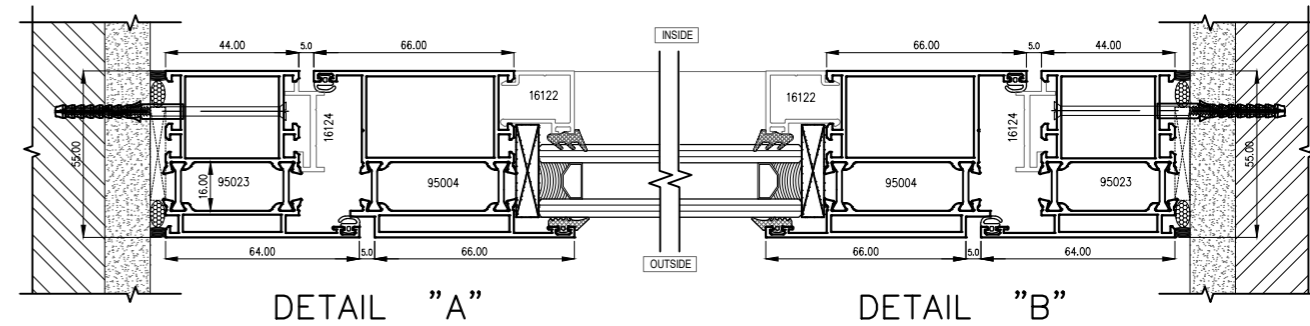
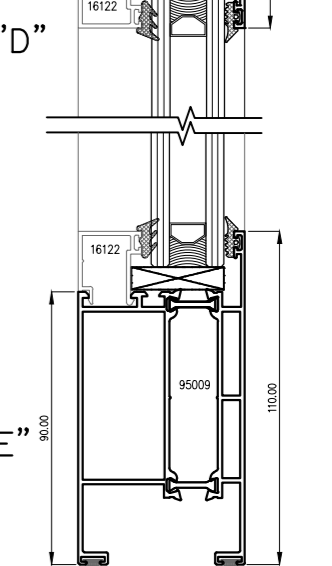
DETAIL "C"



DETAIL "D"

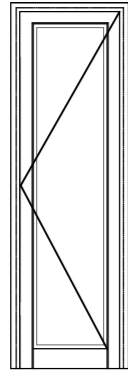


DETAIL "E"



DETAIL "A"

DETAIL "B"



ELEVATION (Max. 120kg)

Mandtroty Accessories

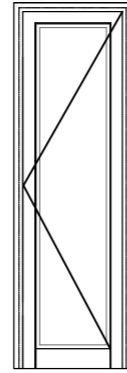
Accessories code	Description	Qty
06168	Domina Classic hinge (Max: W2000 x H4000)	2
02792	Prima Plus Door handle	1
04614	30mm Door lock	1
07685	Cylinder 31 / 51	1
07058N	Cover for Cylinder	1
04859	Counter plate	1

Optional Accessories

02414	Asia Door handle	1
02563	KORA Door handle	1
02422	Master Plus Door handle	1

Hinge Load Capacity

2 Hinge - 120kg
 3 Hinge - 140kg
 3 Hinge with door closer - 120kg
 3 Hinge with door closer with stop hold function - 80kg
 # Please refer SchlegelGiesse team for more details



ELEVATION (Max. 160kg)

Mandtroty Accessories

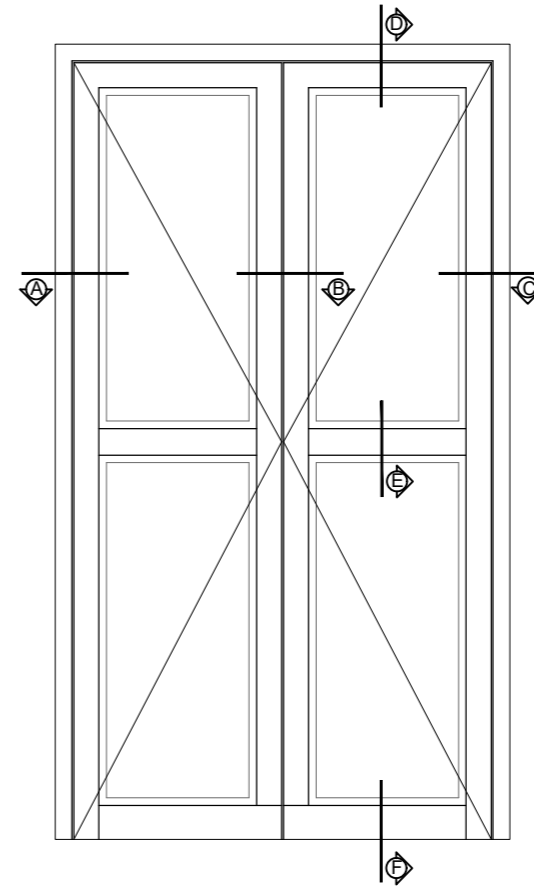
Accessories code	Description	Qty
05160V	Domina HP hinge (Max: W2000 x H4000)	2
052000001	Counter Plate for Domina HP	2
02792	Prima Plus Door handle	1
04614	30mm Door lock	1
07685	Cylinder 31 / 51	1
07058N	Cover for Cylinder	1
04859	Counter plate	1

Optional Accessories

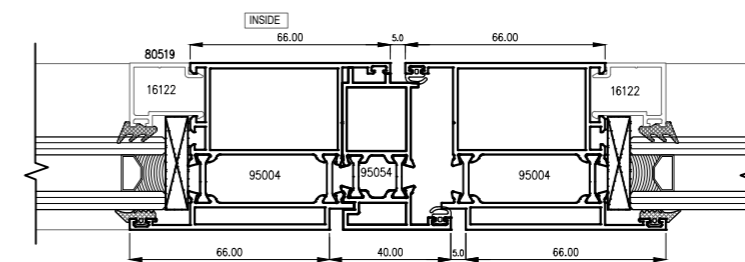
02414	Asia Door handle	1
02563	KORA Door handle	1
02422	Master Plus Door handle	1

Hinge Load Capacity

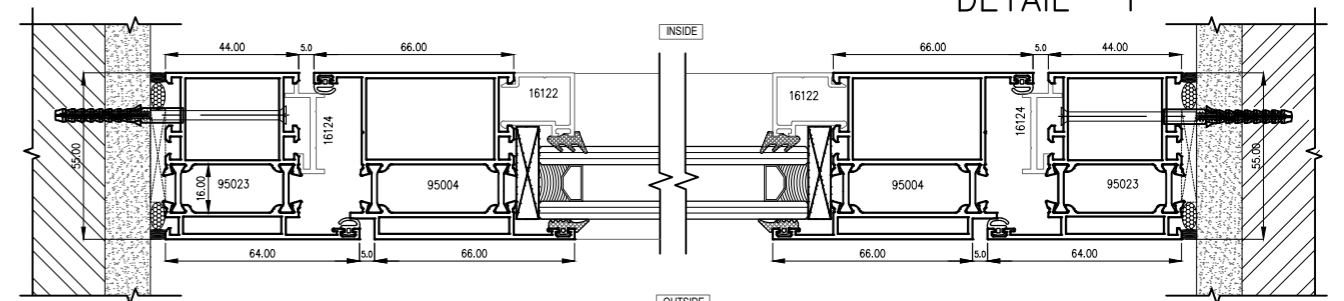
2 Hinge - 160kg
 3 Hinge - 180kg
 3 Hinge with door closer - 150kg
 3 Hinge with door closer with stop hold function - 105kg
 # Please refer SchlegelGiesse team for more details



DOUBLE LEAF HINGED DOOR
OPEN IN



DETAIL "B"

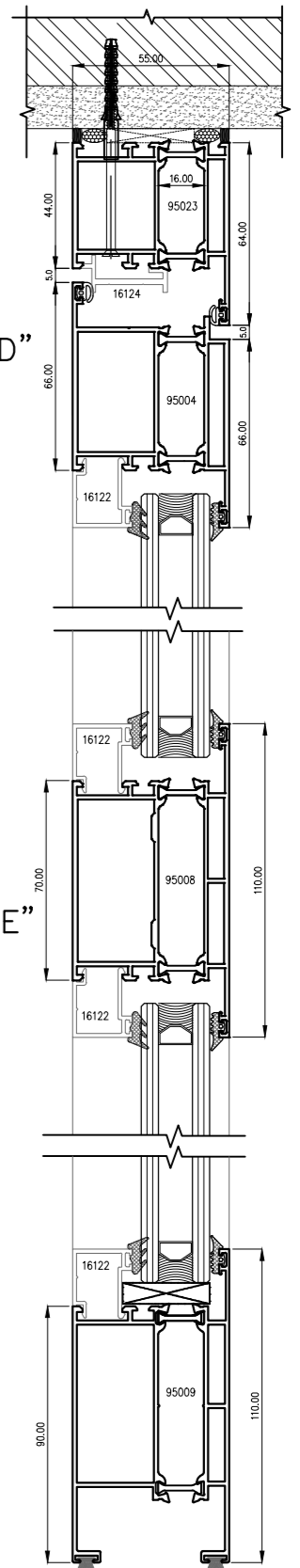


DETAIL "A"

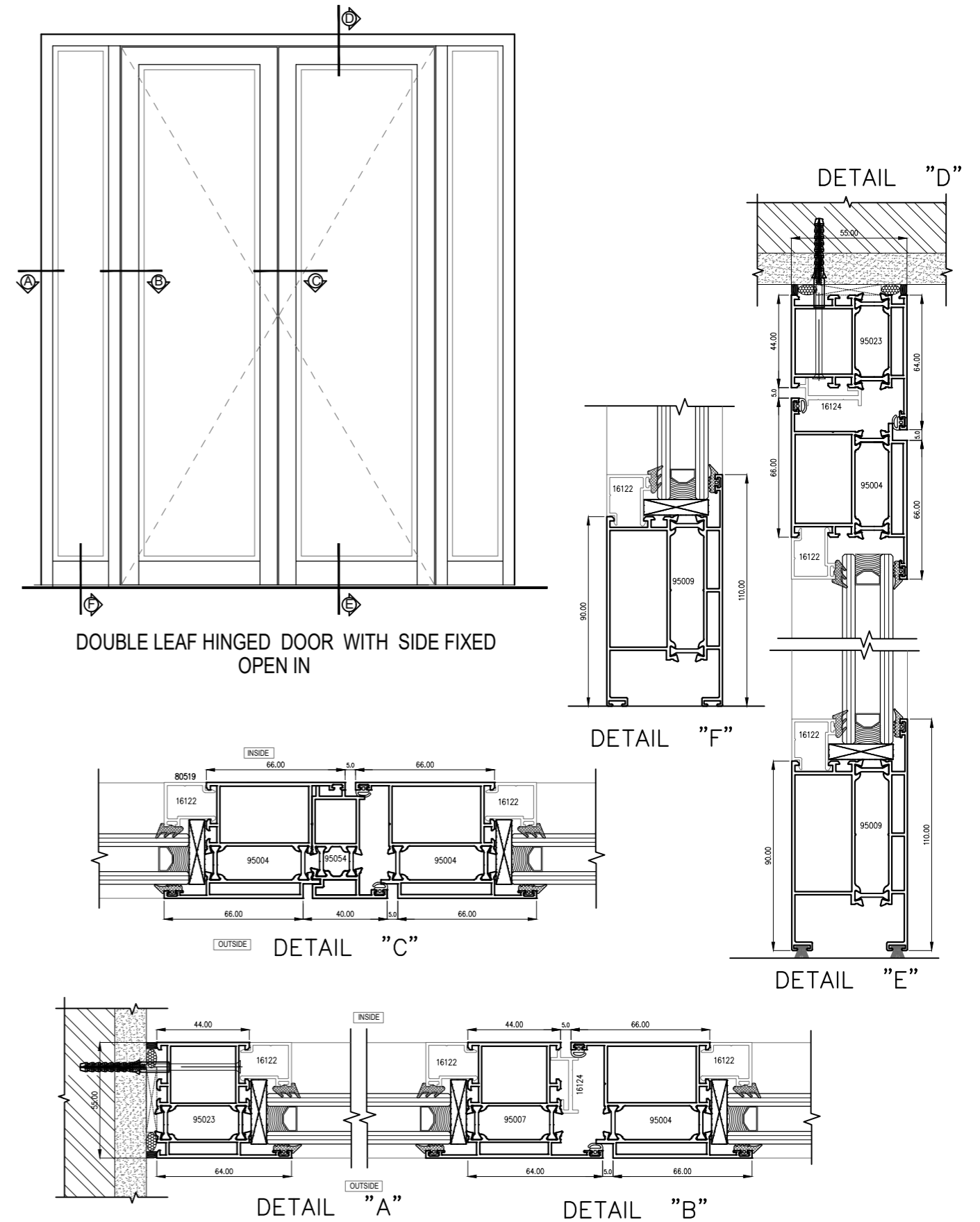
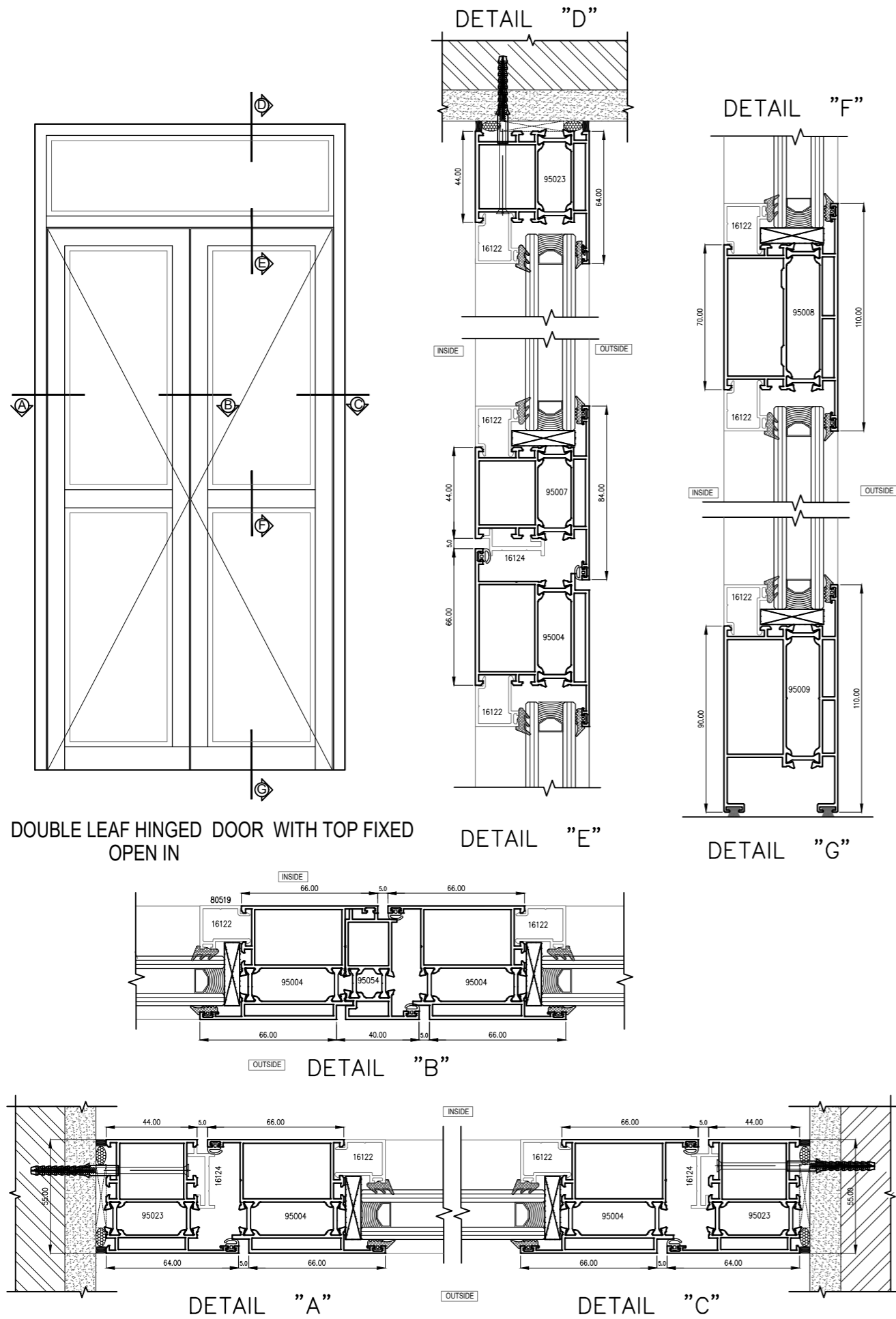
DETAIL "C"

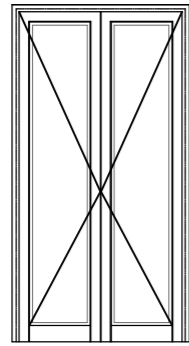
DETAIL "D"

DETAIL "E"



DETAIL "F"





ELEVATION (Max. 120kg)

Mandtroty Accessories

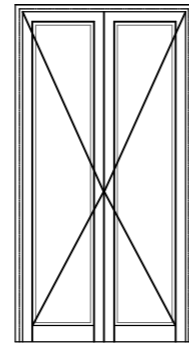
Accessories code	Description	Qty
06168	Domina Classic hinge (Max: W2000 x H4000)	4
02792	Prima Plus Door handle	1
04614	30mm Door lock	1
07685	Cylinder 31 / 51	1
07058N	Cover for Cylinder	1
04859	Counter plate	1
02150	Pesos Bolt	2
02151	Pesos Bolt Cover	2
01325	Bolt Striker	1
02144	Threshold Bush	1

Optional Accessories

02414	Asia Door handle	1
02563	KORA Door handle	1
02422	Master Plus Door handle	1

Hinge Load Capacity

2 Hinge - 120kg
 3 Hinge - 140kg
 3 Hinge with door closer - 120kg
 3 Hinge with door closer with stop hold function - 80kg
 # Please refer SchlegelGiesse team for more details



ELEVATION (Max. 160kg)

Mandtroty Accessories

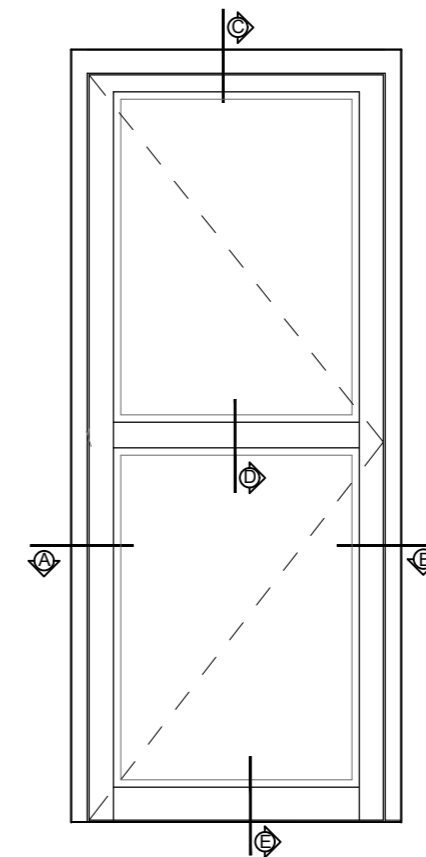
Accessories code	Description	Qty
05160V	Domina HP hinge (Max: W2000 x H4000)	4
052000001	Counter Plate for Domina HP	4
02792	Prima Plus Door handle	1
04614	30mm Door lock	1
07685	Cylinder 31 / 51	1
07058N	Cover for Cylinder	1
04859	Counter plate	1
02150	Pesos Bolt	2
02151	Pesos Bolt Cover	2
01325	Bolt Striker	1
02144	Threshold Bush	1

Optional Accessories

02414	Asia Door handle	1
02563	KORA Door handle	1
02422	Master Plus Door handle	1

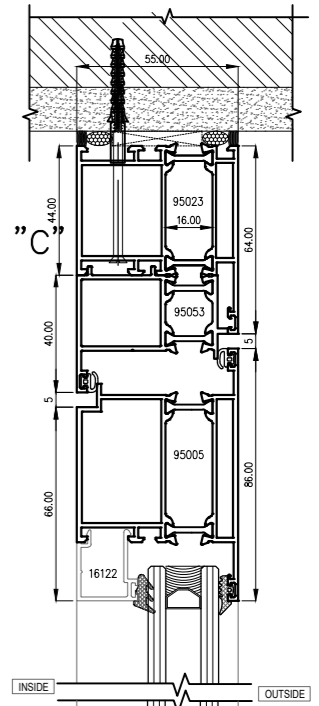
Hinge Load Capacity

2 Hinge - 160kg
 3 Hinge - 180kg
 3 Hinge with door closer - 150kg
 3 Hinge with door closer with stop hold function - 105kg
 # Please refer SchlegelGiesse team for more details

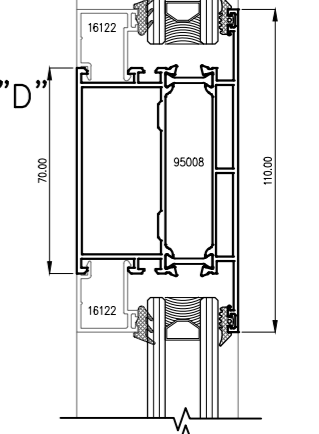


SINGLE LEAF HINGED DOOR
OPEN OUT

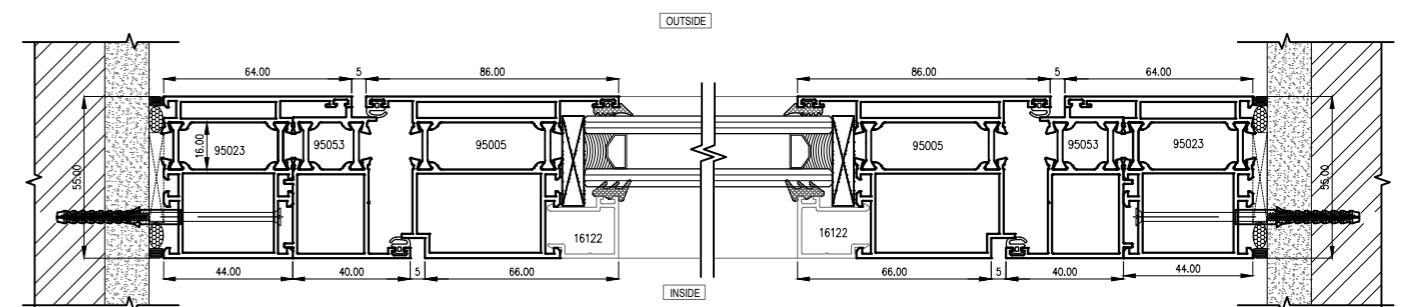
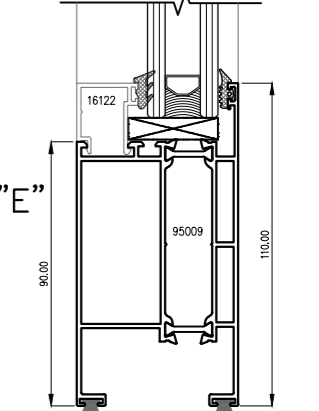
DETAIL "C"



DETAIL "D"

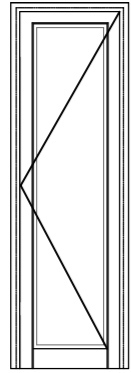


DETAIL "E"



DETAIL "A"

DETAIL "B"



ELEVATION (Max. 100kg)

Mandtroty Accessories

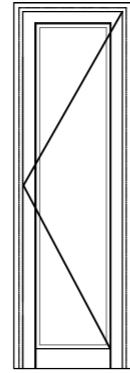
Accessories code	Description	Qty
06176	Domina Classic hinge (Max: W2000 x H4000)	2
05300	Direct Fixing screw 55mm	8
02792	Prima Plus Door handle	1
04614	30mm Door lock	1
07685	Cylinder 31 / 51	1
07058N	Cover for Cylinder	1
04859	Counter plate	1

Optional Accessories

02414	Asia Door handle	1
02563	KORA Door handle	1
02422	Master Plus Door handle	1

Hinge Load Capacity

- 2 Hinge - 100kg
- 3 Hinge - 120kg
- 3 Hinge with door closer - 100kg
- 3 Hinge with door closer with stop hold function - 70kg
- # Please refer SchlegelGiesse team for more details



ELEVATION (Max. 120kg)

Mandtroty Accessories

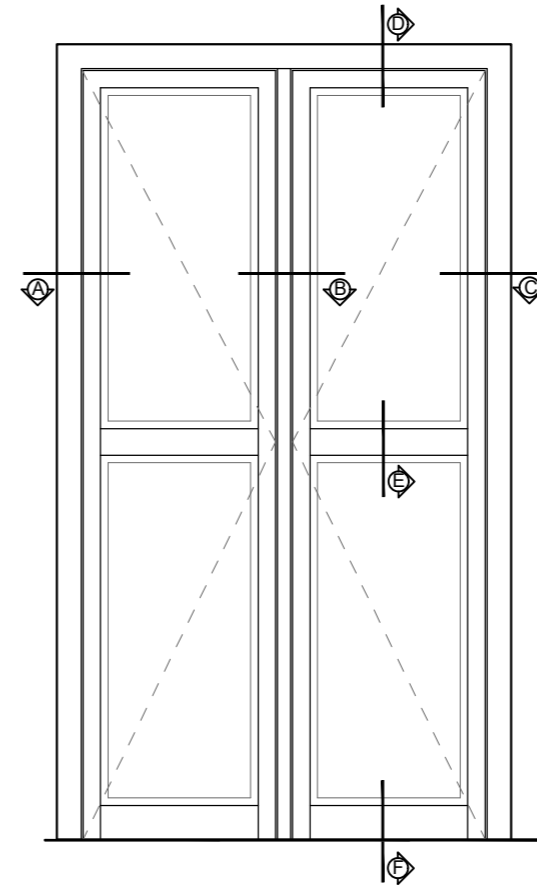
Accessories code	Description	Qty
05166V	Domina HP hinge (Max: W2000 x H4000)	2
05300	Direct Fixing screw 55mm	8
02792	Prima Plus Door handle	1
04614	30mm Door lock	1
07685	Cylinder 31 / 51	1
07058N	Cover for Cylinder	1
04859	Counter plate	1

Optional Accessories

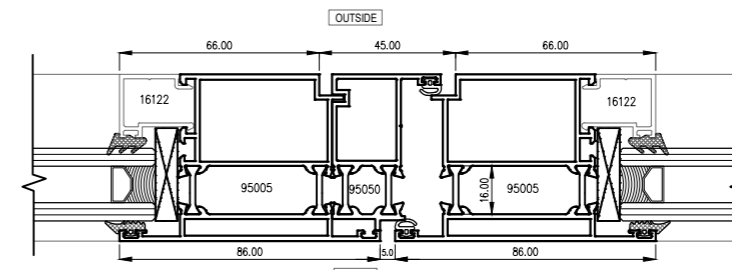
02414	Asia Door handle	1
02563	KORA Door handle	1
02422	Master Plus Door handle	1

Hinge Load Capacity

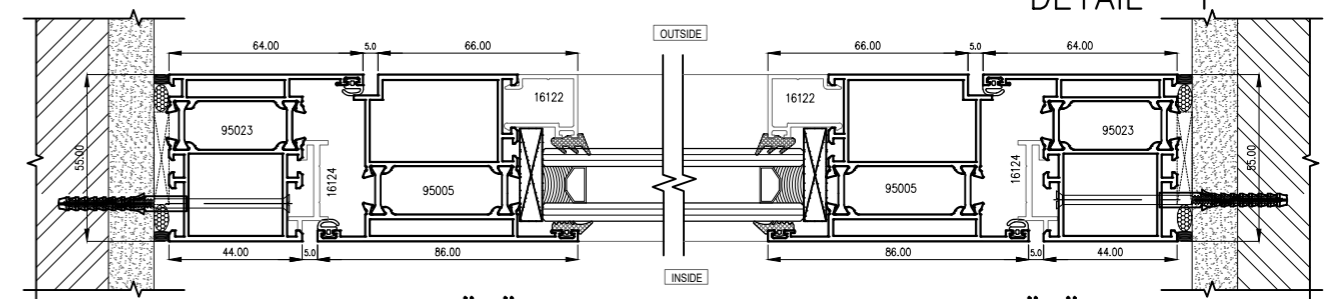
- 2 Hinge - 120kg
- 3 Hinge - 140kg
- 3 Hinge with door closer - 120kg
- 3 Hinge with door closer with stop hold function - 80kg
- # Please refer SchlegelGiesse team for more details



DOUBLE LEAF HINGED DOOR
OPEN OUT

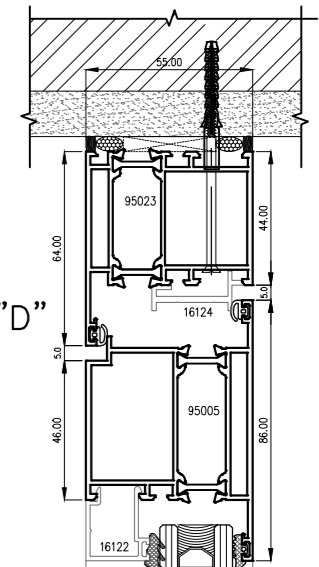


DETAIL "B"

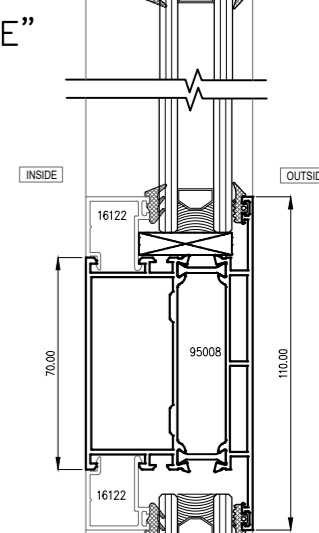


DETAIL "A"

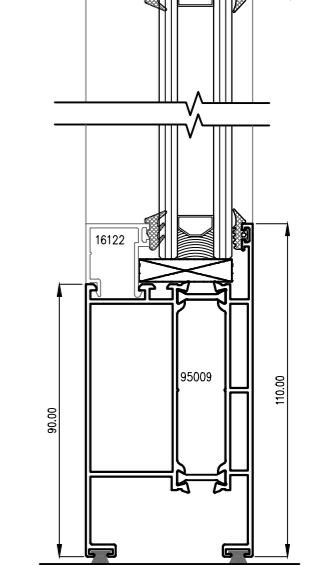
DETAIL "C"



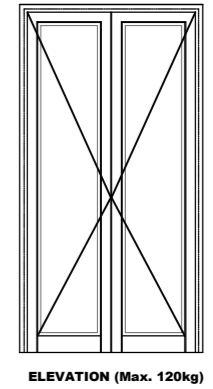
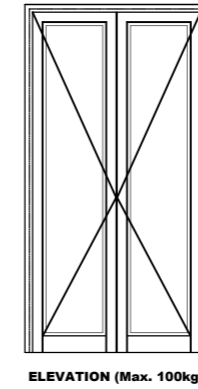
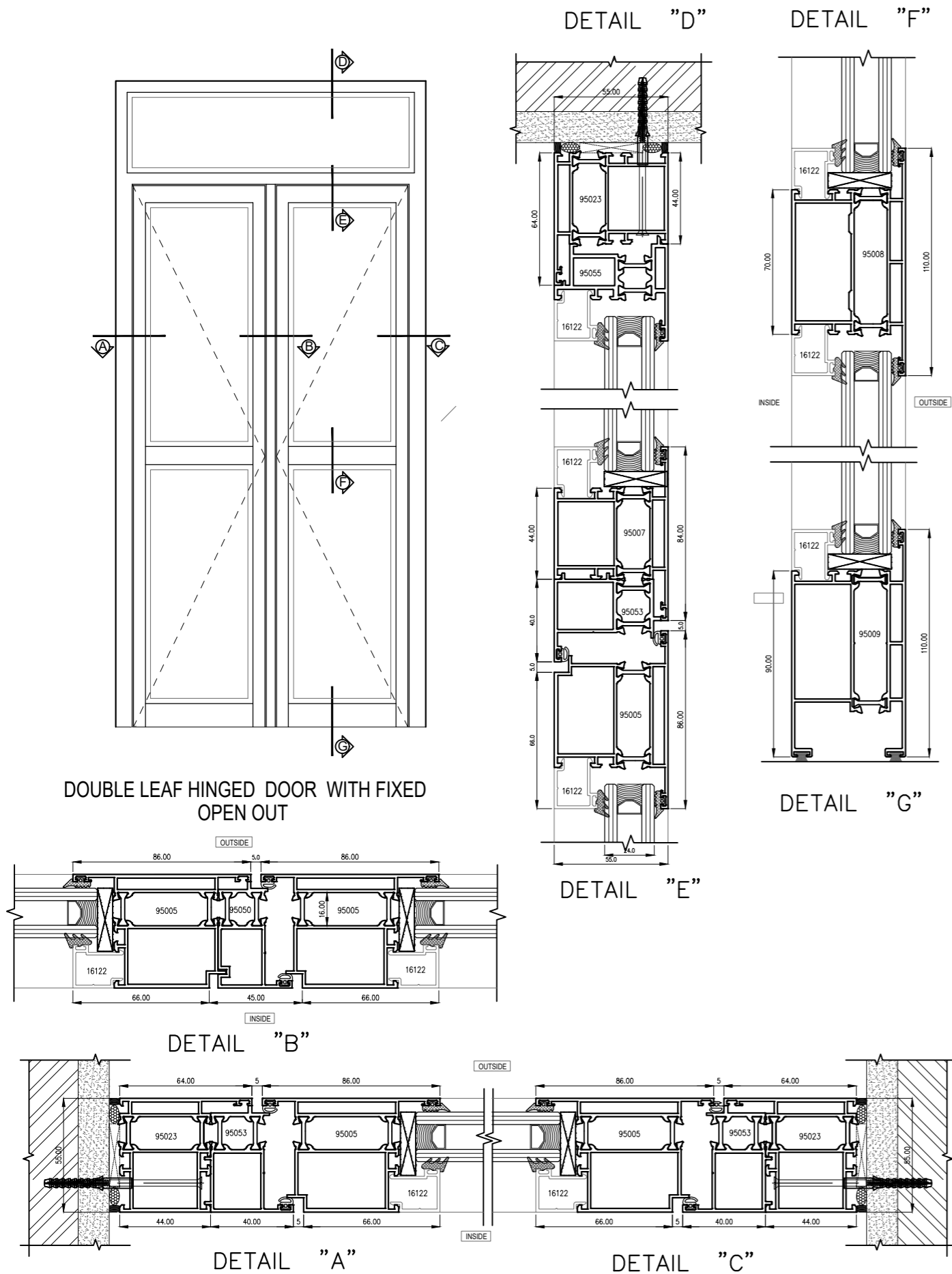
DETAIL "D"



DETAIL "E"



DETAIL "F"



Mandetroy Accessories

Accessories code	Description	Qty
06176	Domina Classic hinge (Max: W2000 x H4000)	4
05300	Direct Fixing screw 55mm	16
02792	Prima Plus Door handle	1
04614	30mm Door lock	1
07685	Cylinder 31 / 51	1
07058N	Cover for Cylinder	1
04859	Counter plate	1
02150	Pesos Bolt	2
02151	Pesos Bolt Cover	2
01325	Bolt Striker	1
02144	Threshold Bush	1

Optional Accessories

02414	Asia Door handle	1
02563	KORA Door handle	1
02422	Master Plus Door handle	1

Hinge Load Capacity

2 Hinge - 100kg
 3 Hinge - 120kg
 3 Hinge with door closer - 100kg
 3 Hinge with door closer with stop hold function - 70kg
 # Please refer SchlegelGiese team for more details

Mandetroy Accessories

Accessories code	Description	Qty
05166V	Domina HP hinge (Max: W2000 x H4000)	4
05300	Direct Fixing screw 55mm	16
02792	Prima Plus Door handle	1
04614	30mm Door lock	1
07685	Cylinder 31 / 51	1
07058N	Cover for Cylinder	1
04859	Counter plate	1
02150	Pesos Bolt	2
02151	Pesos Bolt Cover	2
01325	Bolt Striker	1
02144	Threshold Bush	1

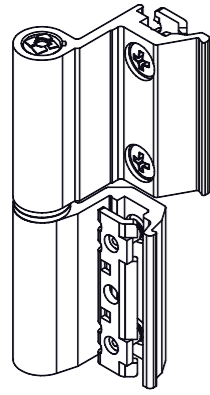
Optional Accessories

02414	Asia Door handle	1
02563	KORA Door handle	1
02422	Master Plus Door handle	1

Hinge Load Capacity

2 Hinge - 120kg
 3 Hinge - 140kg
 3 Hinge with door closer - 120kg
 3 Hinge with door closer with stop hold function - 80kg
 # Please refer SchlegelGiese team for more details

Accessory List



FLASH BASE HINGE

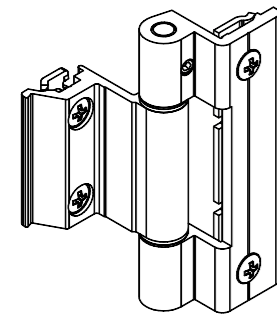
00120U

Functions

Reversible-hinge for aluminium casement window and door fixtures with central gasket seal. Has the same reliability and precision requirements as conventional GIESSE hinges and can be fitted very quickly to the window, even when it is already assembled.

Capacities

With 2 FLASH BASE hinges: 75 kg
With 3 FLASH BASE hinges: 85 kg
assuming fixtures of 2000 mm height and 1000 mm width.



BRIDGE 2 HINGE

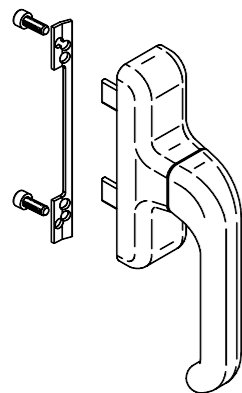
00600N

Functions

Clamp hinge for lightweight windows and door fixtures made with channel profile.

Capacities

90 kg with 2 hinges
100 kg with 3 hinges

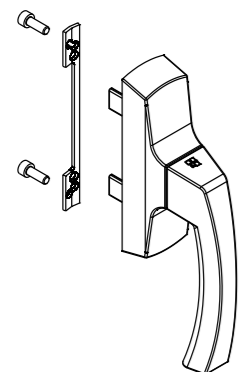


EURO CREMONE

01000U

Functions

Reversible cremone handle for central gasket systems, with 90° rotation and opening/closing positioning notch.



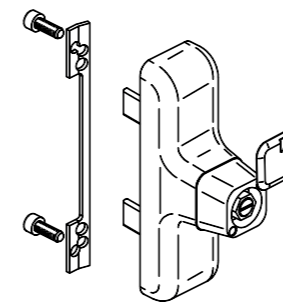
ASIA CREMONE FOR SASH

01076

Functions

Reversible cremone for operating GIESSE Sash mechanisms.

Accessory List

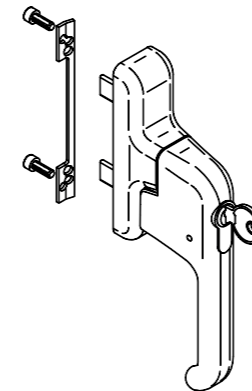


EURO AWAY CREMONE

01001

Functions

Reversible cremone handle for central gasket systems, with rotation 90° and opening/closing positioning notch. Allows the operation of doors and windows and removal of the handle for security reasons.

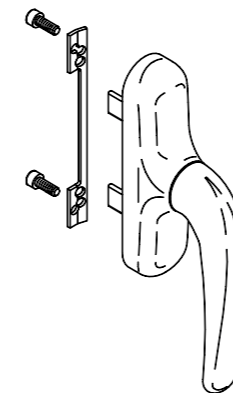


EURO KEY CREMONE

01002

Functions

Reversible cremone with key lockable handle, produced for central gasket systems, with 90° rotation and opening/closing positioning notch.

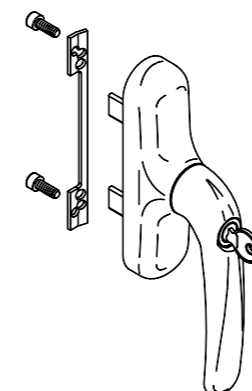


PRIMA CREMONE

01024U

Functions

Reversible cremone handle for central gasket systems, with 90° handle rotation and opening/closing positioning notch.



PRIMA KEY CREMONE

01012

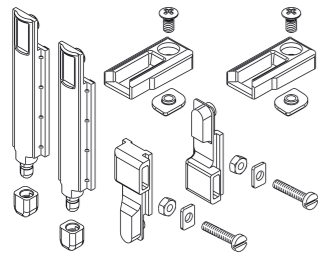
Functions

Reversible cremone with key lockable handle, produced for central gasket systems, with 90° rotation and opening/closing positioning notch. Maintains the functional characteristics of the EURO cremone handle with a different styling line.

Accessory List

KIT FOR INTERNAL OPENING

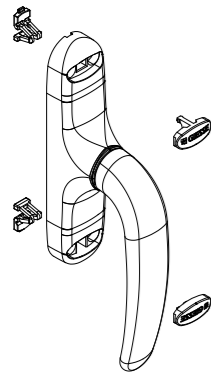
02270



Functions
Connection kit and fastening mechanism for sash, to be combined with EURO (art. 01000) and NOVA (art. 01004) cremone handles

UNICA SYSTEM CREMONE

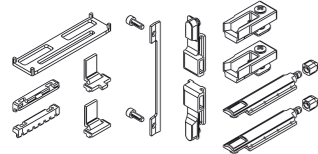
01150001



Functions
Cremone with no internal components. Depending on need, it can be transformed into a Cremone for inward opening, outward opening casement or tilt-and-turn by using the specific kits (also supplied complete with the lock points).

KIT FOR INWARD OPENING UNICA SYSTEM

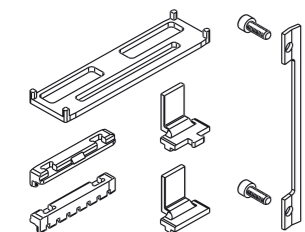
04070



Functions
Kit to combine with UNICA (art. 01150) and UNICA KEY (art. 01151) cremone handles. Composed of all the necessary components to make the sash fastening mechanism.

KIT FOR INWARD OPENING UNICA SYSTEM

04080



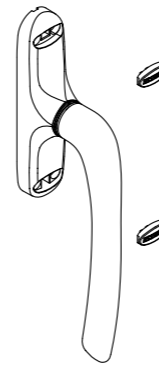
Functions
Kit to combine with UNICA (art. 01150) and UNICA KEY (art. 01151) cremone handles. Specifically designed for inward opening.

Giesse Accessories Have Been Incorporated and Tested In NAPCO Systems Can Be Warranted Only Using The Accessories Listed In This Official Catalogue

Accessory List

UNICA SYSTEM CREMONE WITH 172mm HANDLE

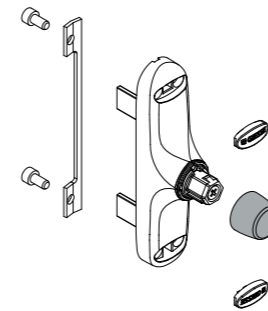
01125001



Functions
Cremone with no internal components. Depending on need, it can be transformed into a Cremone for inward opening, outward opening casement or tilt-and-turn by using the specific kits (also supplied complete with the lock points).

UNICA INWARD-OPENING CREMONE-AWAY

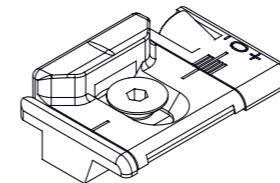
01138



Functions
Reversible cremone handle, with removable pull handle supplied separately, for operating the Giesse mechanisms. Ideal for hospitals, schools and all other locations in which operation of the casements is not to be left to the discretion of the end user.

FUTURA ADJUSTABLE STRIKER

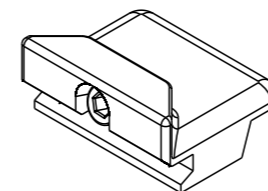
01353K



Functions
Striker specifically designed for use with fixed (art. 04027K) or adjustable (art.04030K) fastener pawl

STRIKER FOR ADJUSTABLE FASTENER PAWL

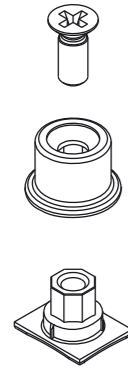
01343K



Functions
Striker specifically designed for use with adjustable fastener pawl (art. 04030K)

Giesse Accessories Have Been Incorporated and Tested In NAPCO Systems Can Be Warranted Only Using The Accessories Listed In This Official Catalogue

Accessory List



FUTURA FIXED PAWL

04027K

Functions

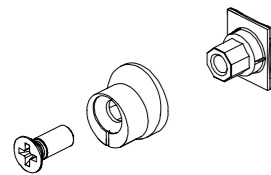
Fixed pawl, to be combined with the adjustable striker, required to create supplementary locking points in addition to those already supplied with the basic mechanism.

ADJUSTABLE LOCKING PAWL

04030K

Functions

Closing element to be fitted directly on the rods in the series.

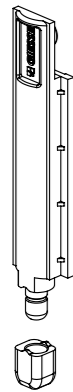


FUTURA TERMINAL FOR RODS

02114K

Functions

Polyamide terminal for rods with pin for fixing sashes to the frame cross-beams.



GIAP BOLT

02111K

Functions

Polyamide bolt composed of an actuator and terminal with pin for direct fixing to the floor. Ideal for side-hung doors and windows in aluminium with central gasket.



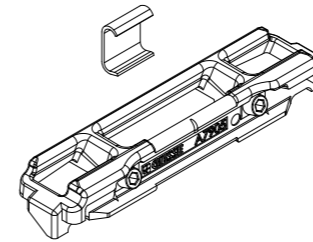
Accessory List

FUTURA ZAMAK DOUBLE STRIKER

01349K

Functions

Component produced for application to the top and bottom part of the frame of fixtures with one or more sashes, having the function of accommodating GIESSE bolt tips and terminals, or appropriately machined operating rods (prepared on Giesse automatic machines).

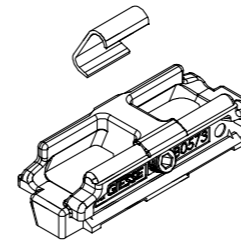


FUTURA SINGLE STRIKER

01348K

Functions

Component produced for application to the top and bottom part of the frame of fixtures with one or more sashes, having the function of accommodating GIESSE bolt tips and terminals, or appropriately machined operating rods.

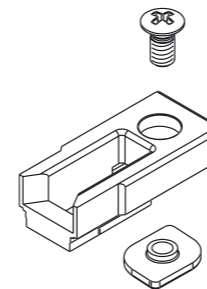


3RD FASTENING MECHANISM AND DOUBLE STRIKER

01322K

Functions

Component produced for application to the top and bottom part of the frame of fixtures with one or more sashes, having the function of accommodating GIESSE bolt tips and terminals, or appropriately machined operating rods.

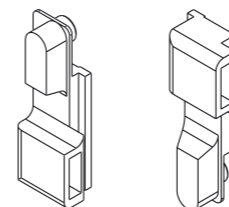


CONNECTING BLOCK

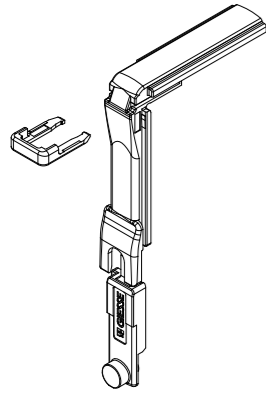
02387K

Functions

Polyamide reversible components for the connection between the cremones and the rods of the profile of a central gasket aluminium sash window.



Accessory List



CORNER DRIVE GROOVE 20/15 FUTURA

04019K

Functions

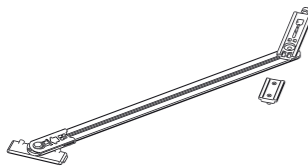
Component for moving the hardware from the cremone side to the upper and/or lower cross-beam.

FUTURA CORNER DRIVE

04020K

Functions

Corner drive allowing the transfer of the movement from the upright to the cross-beam of the fixture and vice versa.



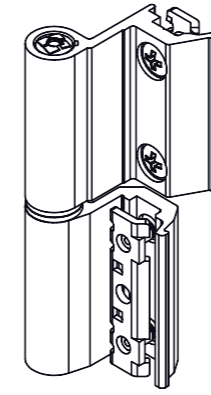
FRIZ STAY LIMITATION ARM

02030K

Functions

Accessory utilised to limit opening of the sash when movement of the sash is restricted by obstacles such as uprights or walls.

Accessory List



FLASH BASE HINGE

00120U

Functions

Reversible-hinge for aluminium casement window and door fixtures with central gasket seal. Has the same reliability and precision requirements as conventional GIESSE hinges and can be fitted very quickly to the window, even when it is already assembled.

Capacities

With 2 FLASH BASE hinges: 75 kg
With 3 FLASH BASE hinges: 85 kg
assuming fixtures of 2000 mm height and 1000 mm width.

BRIDGE 2 HINGE

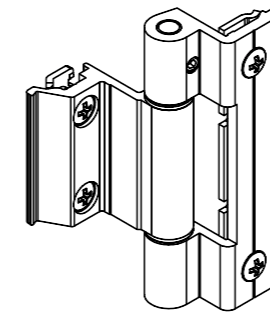
00600N

Functions

Clamp hinge for lightweight windows and door fixtures made with channel profile.

Capacities

90 kg with 2 hinges
100 kg with 3 hinges

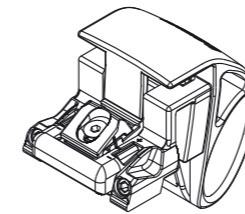


TWIN CATCH

01704

Functions

Device for closing bottom-hung windows for front mounting, it requires no machining on the profile.

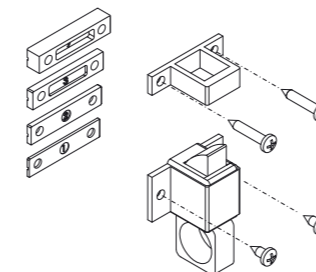


GRISBI CATCH

01701N

Functions

Fastening mechanism of bottom-hung windows for external application, made of extruded aluminium with polyamide internal guide.



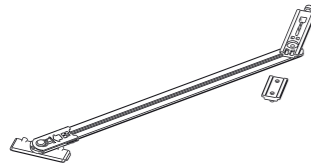
Accessory List

FRIZ STAY LIMITATION ARM

02030K

Functions

Accessory utilised to limit opening of the sash when movement of the sash is restricted by obstacles such as uprights or walls.

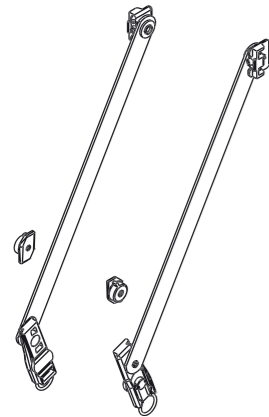


BOTTOM-HUNG WINDOWS RALLENTY LONG ARM

02040K

Functions

The arm delimits the opening of a bottom-hung aluminium window slowing its stroke in the stopping phase. Long type arm (250 mm), for bottom-hung window with standard height.

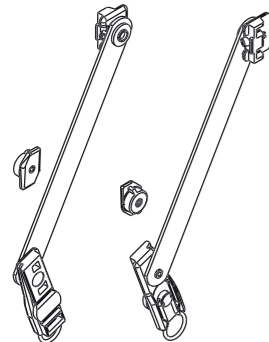


RALLENTY SHORT ARM

02041K

Functions

The arm delimits the opening of a bottom-hung aluminium window slowing its stroke in the stopping phase. Short type arm (150 mm), for bottom-hung window with standard height.

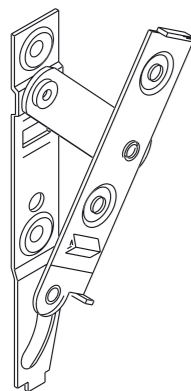


HINGE FOR BOTTOM HUNG WINDOW

02051

Functions

Hinge for bottom-hung windows, fast assembly and secure fixing. Enables opening a bottom-hung window without any hinges being exposed to view.



Accessory List

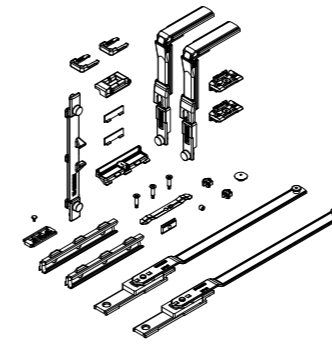
FUTURA HORIZONTAL SECURITY SASH MECHANISM

01175K

Functions

Hardware kit for making two different types of casement:

- Side-hung security sash (with cremone at 0° sash closed, at 90° partly open and at 180° fully open) with the arms positioned on the beams;
- Heavy bottom-hung window with load capacity up to 250 kg and perimetral closing.

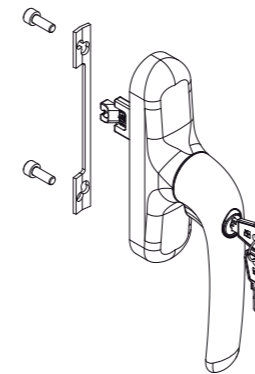


PRIMA KEY CAPTURE CREMONE

01192

Functions

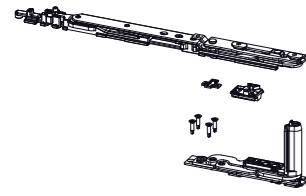
Reversible cremone handle, with key lockable pull handle, with 90° rotation (side-hung window) or 90° and 180° (tilt-and-turn window) and opening/closing positioning notch.



Accessory List

CHIC - T1 ARM T&T KIT

043551



Functions

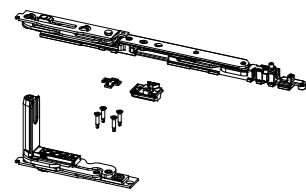
Set of hinges (top and bottom), completely pre-assembled and ready to be installed on the profile.

Capacities

Up to 100 kg.

CHIC - T1 ARM T&T KIT

043552



Functions

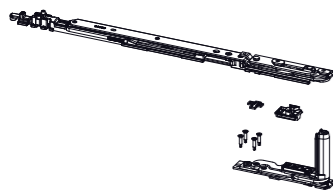
Set of hinges (top and bottom), completely pre-assembled and ready to be installed on the profile.

Capacities

Up to 100 kg.

CHIC - T2 ARM T&T KIT

043561



Functions

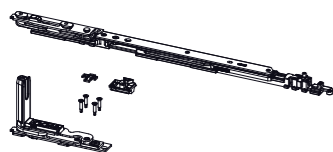
Set of hinges (top and bottom), completely pre-assembled and ready to be installed on the profile.

Capacities

Up to 100 kg.

CHIC - T2 ARM T&T KIT

043562



Functions

Set of hinges (top and bottom), completely pre-assembled and ready to be installed on the profile.

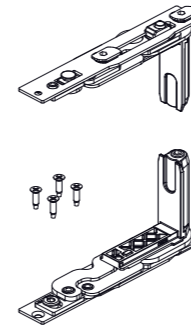
Capacities

Up to 100 kg.

Accessory List

CHIC - SASH HINGE SET

043541



Functions

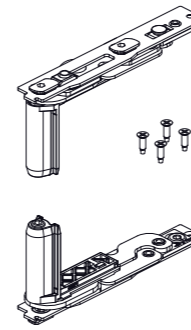
Set of hinges (top and bottom) for side-hung or secondary sash with tilt-and-turn CHIC 3D 100.

Capacities

Up to 100 kg.

CHIC - SASH HINGE SET

043542



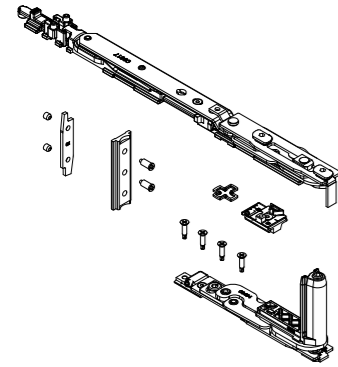
Functions

Set of hinges (top and bottom) for side-hung or secondary sash with tilt-and-turn CHIC 3D 100.

Capacities

Up to 100 kg.

Accessory List



CHIC 150 - T1 RIGHT ARM T&T KIT

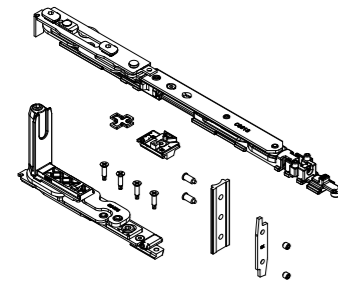
043651

Functions

Set of hinges (top and bottom), completely pre-assembled and ready to be installed on the profile.

Capacities

Up to 150 kg.



CHIC 150 - T1 LEFT ARM T&T KIT

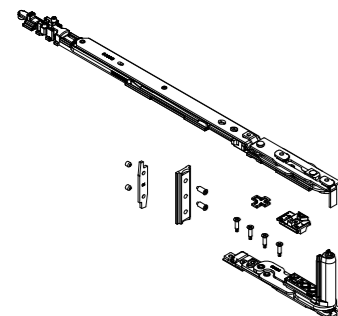
043652

Functions

Set of hinges (top and bottom), completely pre-assembled and ready to be installed on the profile.

Capacities

Up to 150 kg.



CHIC 150 - T2 ARM T&T KIT

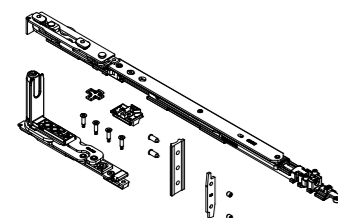
043661

Functions

Set of hinges (top and bottom), completely pre-assembled and ready to be installed on the profile.

Capacities

Up to 150 kg.



CHIC 150 - T2 ARM T&T KIT

043662

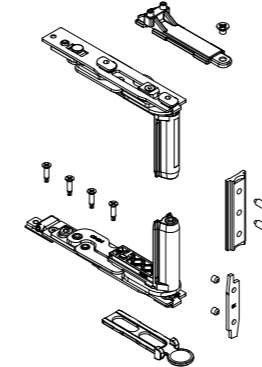
Functions

Set of hinges (top and bottom), completely pre-assembled and ready to be installed on the profile.

Capacities

Up to 150 kg.

Accessory List



CHIC 150 - SASH HINGE SET

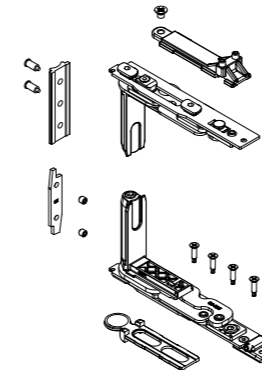
043641

Functions

Set of hinges (top and bottom) for side-hung or secondary sash with tilt-and-turn CHIC 3D 150.

Capacities

Up to 150 kg.



CHIC 150 - SASH HINGE LEFT

043642

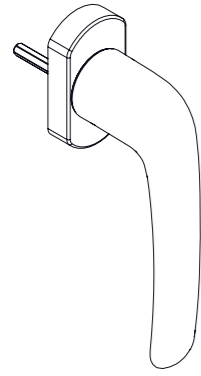
Functions

Set of hinges (top and bottom) for side-hung or secondary sash with tilt-and-turn CHIC 3D 150.

Capacities

Up to 150 kg.

Accessory List

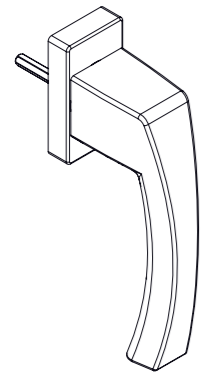


NP SUPRA - PRIMA WINDOW HANDLE

03962

Functions

Reversible window handle for operating Sash and Tilt-and-Turn NP SUPRA window handles.

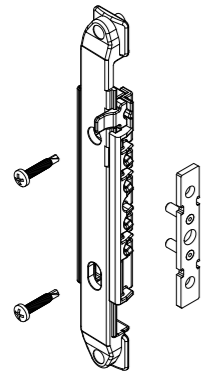


NP SUPRA - ASIA WINDOW HANDLE

03963

Functions

Reversible window handle for operating Sash and Tilt-and-Turn NP SUPRA window handles.

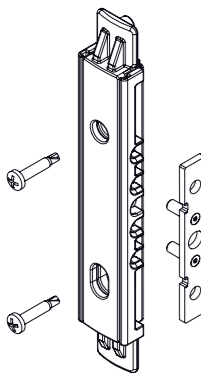


NP SUPRA - T&T HARDWARE

0395301

Functions

One-way window handle, can be operated with the NP SUPRA window handle, for operating Tilt-and-Turn fastening window handles.



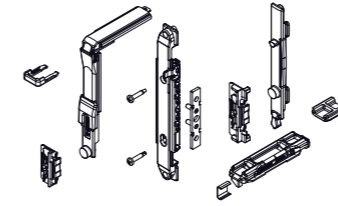
NP SUPRA - SASH HARDWARE

03954

Functions

Two-way window handle, can be operated with the NP SUPRA window handle, for operating Sash fastening window handles.

Accessory List



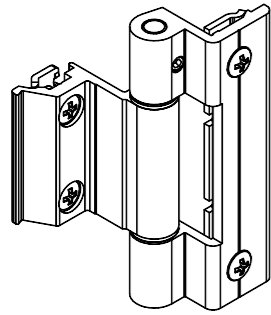
NP SUPRA - T&T MECHANISM

0395501

Functions

Tilt-and-turn window fastening mechanisms for NP SUPRA window handle, available in Base and Logica versions.

Accessory List



BRIDGE 2 HINGE

Functions

Clamp hinge for lightweight windows and door fixtures made with channel profile.

00600N

GS HD ARM-TS HUNG 10"-TYPE EGR.

Functions

Pair of arms (RH and LH) suitable for Top and Side Hung outward opening aluminium windows. The arms are fitted extremely quickly to the window, even when it is already assembled.

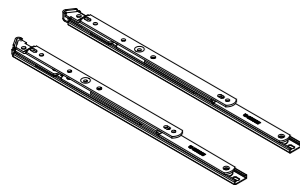


08349

GS HD ARM-TS HUNG 16"-TYPE EGR.

Functions

Pair of arms (RH/LH) for outward opening (side hung) or top hung aluminium windows. The arms are fitted extremely quickly to the window, even when it is already assembled.

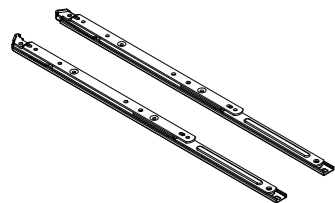


08350

GS HD ARM-TOP HUNG 22"-TYPE EGR.

Functions

Pair of arms (RH/LH) for outward opening (side hung) or top hung aluminium windows. The arms are fitted extremely quickly to the window, even when it is already assembled.



08351

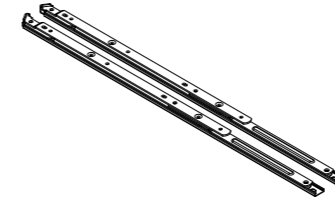
Giessere Accessories Have Been Incorporated and Tested In NAPCO Systems Can Be Warranted Only Using The Accessories Listed In This Official Catalogue

Accessory List

GS HD ARM-TOP HUNG 28"-TYPE EGR.

Functions

Pair of arms (RH/LH) for outward opening (side hung) or top hung aluminium windows. The arms are fitted extremely quickly to the window, even when it is already assembled.

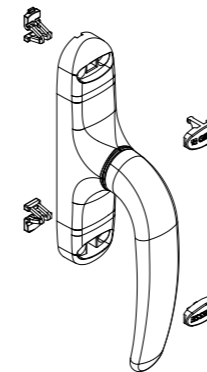


08352

UNICA SYSTEM CREMONE

Functions

Cremona with no internal components. Depending on need, it can be transformed into a Cremona for inward opening, outward opening casement or tilt-and-turn by using the specific kits (also supplied complete with the lock points).

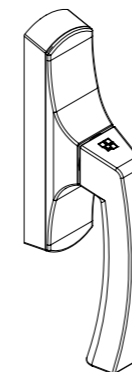


01150001

ASIA OUTWARD °180-0 CREMONE

Functions

Cremona with no internal components. Depending on need, it can be transformed into a Cremona for inward opening, outward opening casement or tilt-and-turn by using the specific kits (also supplied complete with the lock points).

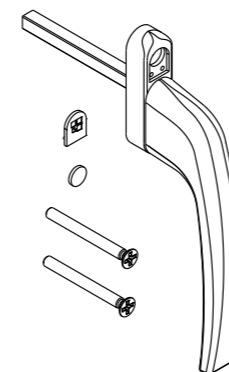


01063

BAS WINDOW HANDLE

Functions

The Bas window handle is ideal for operating mechanisms with rotors designed to be actuated by a 7 mm square pin, such as the Champion Plus multilock or the M90 or M180 internal mechanisms.



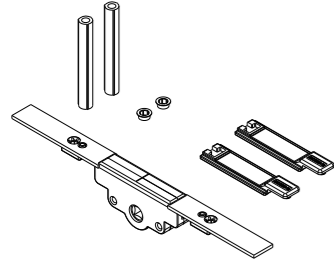
02491

Giessere Accessories Have Been Incorporated and Tested In NAPCO Systems Can Be Warranted Only Using The Accessories Listed In This Official Catalogue

Accessory List

GHIBO OUT BS 22 ONE-WAY MECHANISM

04082

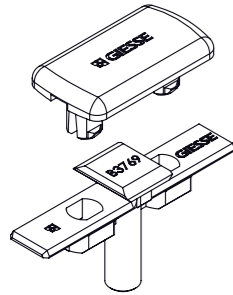


Functions

The one-way Ghibo out internal mechanism is housed in the hollow section of the profile and, via a window handle, moves the rods and locking points of outward-opening side-hung windows.

ROD PULL DEVICE

04099001

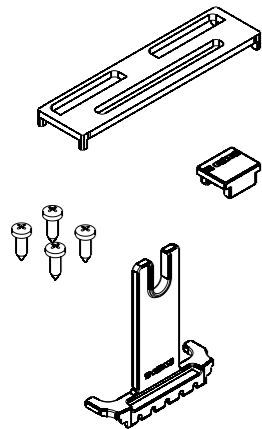


Functions

Component for connecting Unica one-way cremones with the rods of an aluminium window profile.

KIT FOR OUTWARD OPENING UNICA SYSTEM

02410

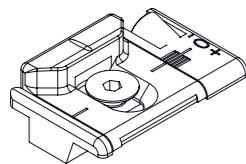


Functions

Components that, added to the Unica Cremone without internal components, enable converting them into the finished product.

FUTURA ADJUSTABLE STRIKER

01353K



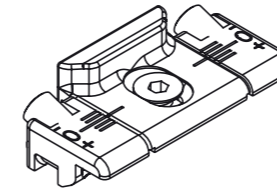
Functions

Striker specifically designed for use with fixed (art. 04027K) or adjustable (art.04030K) fastener pawl

Accessory List

FUTURA ADJUSTABLE SINGLE STRIKER

01347K

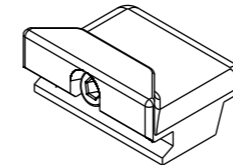


Functions

Component operating in combination with connecting elements, pawl located in the rod terminal, connection blocks, rod, rod transmission as locking point.

STRIKER FOR ADJUSTABLE FASTENER PAWL

01343K

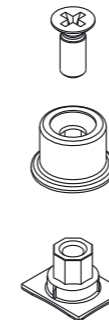


Functions

Striker specifically designed for use with adjustable fastener pawl (art. 04030K)

FUTURA FIXED PAWL

04027K

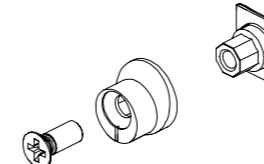


Functions

Fixed pawl, to be combined with the adjustable striker, required to create supplementary locking points in addition to those already supplied with the basic mechanism.

ADJUSTABLE LOCKING PAWL

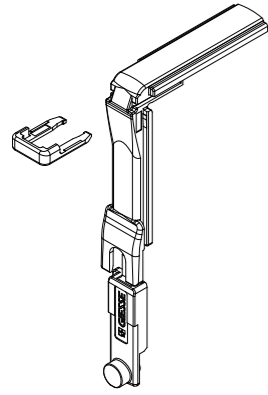
04030K



Functions

Closing element to be fitted directly on the rods in the series.

Accessory List

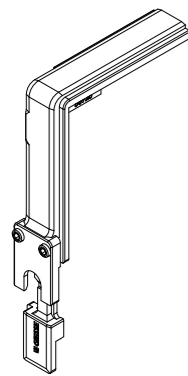


CORNER DRIVE GROOVE 20/15 FUTURA

04019K

Functions

Component for moving the hardware from the cremone side to the upper and/or lower cross-beam.

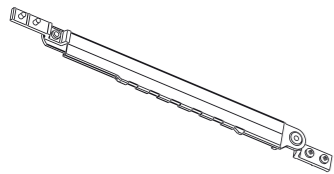


FUTURA CORNER DRIVE

04020K

Functions

Corner drive allowing the transfer of the movement from the upright to the cross-beam of the fixture and vice versa.



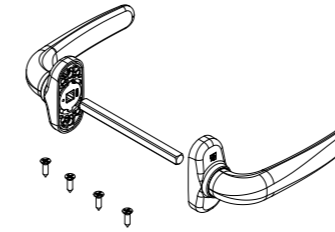
LASER TELESCOPIC UNIT

01954

Functions

Mechanism to use to construct top-hung windows. Allows opening of windows in 5 different positions.

Accessory List

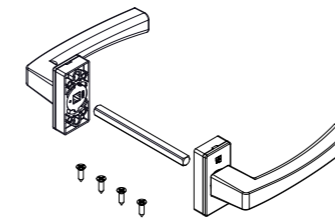


PRIMA PLUS HANDLE

02792

Functions

Double aluminium handle reversible with stop, for fitting on the upright or centre rail of the door.

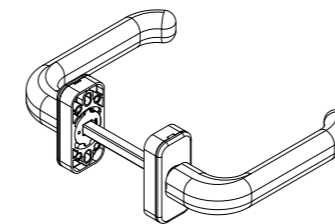


ASIA DOOR HANDLES

02414

Functions

Pair of aluminium handles, reversible with stop, for fitting on the upright or centre rail of the door.

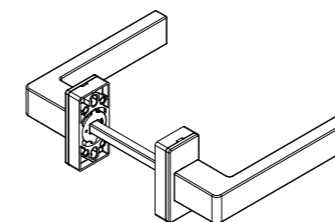


MASTER PLUS HANDLE

02422

Functions

Pair of aluminium handles, reversible with stop, for fitting on the upright or centre rail of the door.



KORA DOOR HANDLE

02563

Functions

Pair of aluminium handles, reversible with stop, for fitting on the upright or centre rail of the door.

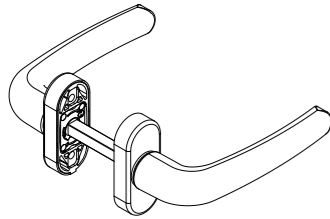
Accessory List

QUICK-FIT PRIMA HANDLE

02424N

Functions

Pair of handles, with quick-fit fixing system, for fitting on the upright or centre rail.

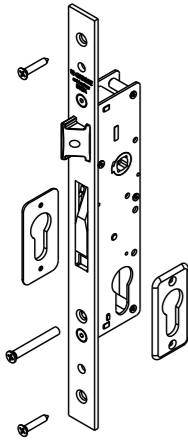


SPRING LATCH AND BOLT LOCK

0461401

Functions

Central lock with front closing, slip-on version for aluminium uprights, with adjustable spring latch and tilting bolt.

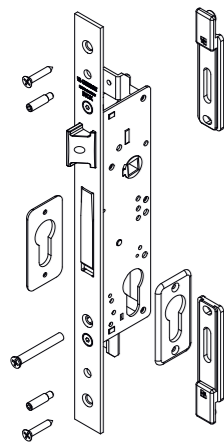


LOCK FOR DOORS

0462701

Functions

Central lock, slip-on version for aluminium stiles, with adjustable spring latch and tilting bolt, ready for rod connection for top/bottom fastening mechanism.

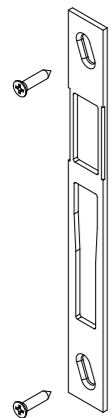


COUNTERPLATE W/ FLAT FRONT

04859

Functions

Counterplates to be combined with the central locks and multipoint locks per doors.



Giesse Accessories Have Been Incorporated and Tested In NAPCO Systems Can Be Warranted Only Using The Accessories Listed In This Official Catalogue

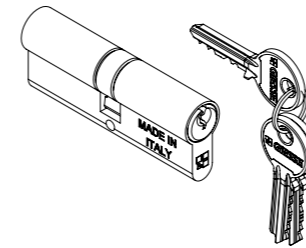
Accessory List

EUROPEAN PROFILE CYLINDER

07685

Functions

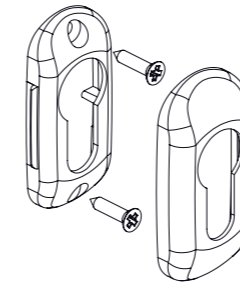
Double cylinder with European profile.



OVAL ROSETTE FOR MACHINED CYLINDER

07058N

Cylinder cover plate for European profile cylinder.

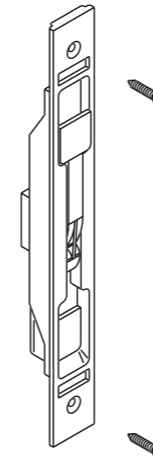


PESOS LEVER BOLT FOR DOORS

02150

Functions

High strong lever bolt designed to be used even with new high performing door systems.

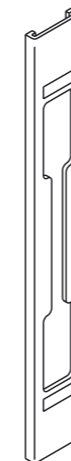


FRONT COVER FOR PESOS

02151

Functions

Extruded aluminium part to be pop in Pesos bolt (art. 02150).

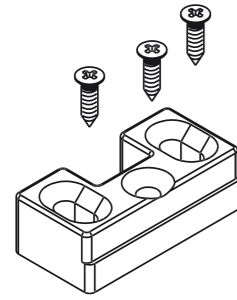


Giesse Accessories Have Been Incorporated and Tested In NAPCO Systems Can Be Warranted Only Using The Accessories Listed In This Official Catalogue

Accessory List

PESOS-SUPERGIAP RODS STRIKER

0132501

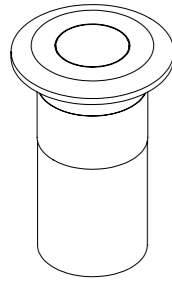


Functions

Striker for PESOS and SUPERGIAP bolts for door channel.

THRESHOLD BUSH WITH SHUTTER

02144



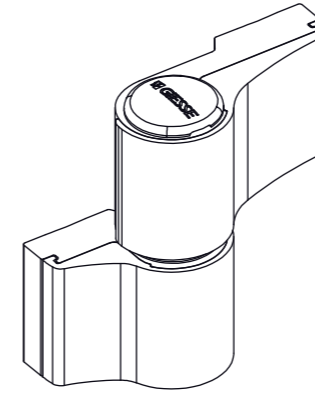
Functions

Floor bush, for doors or windows without counter-frame, where it is necessary to use the threshold as a counter-frame

Accessory List

DOMINA HP - 2 LEAF

05160V

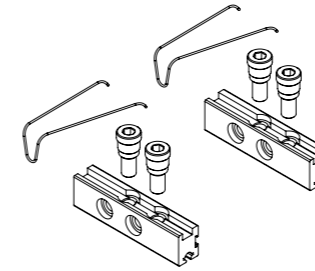


Functions

2 leaves frontal application hinge (heavy duty door) 3D adjustable (Giesse patent).

COUNTERPLATE KIT, DOMINA 2 LEAF

0520001

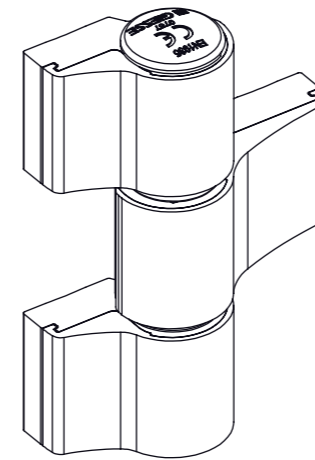


Functions

Tubular counterplate for fixing Domina HP door hinge.

DOMINA HP - 3 LEAF

05161V

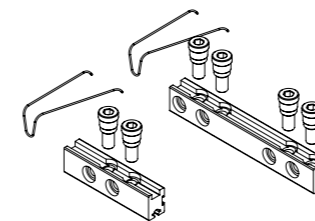


Functions

3 leaves frontal application hinge (heavy duty door) 3D adjustable (Giesse patent).

COUNTERPLATE KIT, DOMINA 3 LEAF

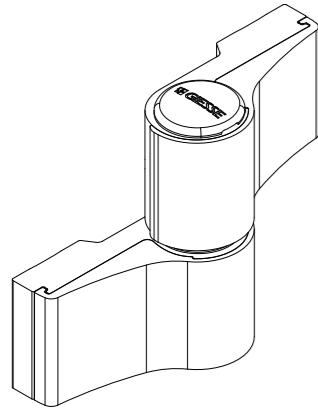
0520101



Functions

Tubular counterplate for fixing Domina HP door hinge.

Accessory List



DOMINA HP - 2 LEAF

05166V

Functions

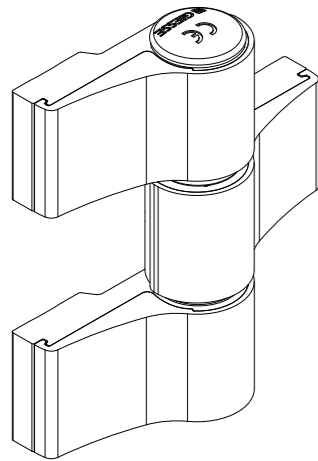
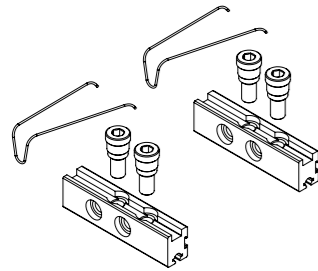
2 leaves frontal application hinge (heavy duty door) 3D adjustable (Giesse patent).

COUNTERPLATE KIT, DOMINA 2 LEAF

0520001

Functions

Tubular counterplate for fixing Domina HP door hinge.



DOMINA HP - 3 LEAF

05167V

Functions

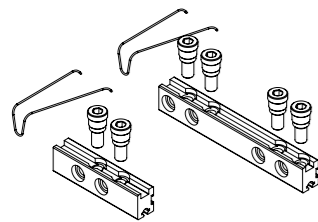
3 leaves frontal application hinge (heavy duty door) 3D adjustable (Giesse patent).

COUNTERPLATE KIT, DOMINA 3 LEAF

0520101

Functions

Tubular counterplate for fixing Domina HP door hinge.



Accessory List



DOMINA HINGE SPACER

0324001

Functions

Telescopic spacers for assembly of DOMINA HP, DOMINA HP COVER and DOMINA CLASSIC hinges in combination with counterplate kit, for fixing to thermal break profiles with outward opening.

DIRECT FIXING SCREW

05300

Functions

M12 screw for direct fixing of DOMINA HP, DOMINA HP COVER and DOMINA CLASSIC hinges to thermal break profiles.





**NATIONAL ALUMINIUM
PRODUCTS COMPANY SAOG**

OMAN

Corporate Office and Factory
National Aluminium Products Co.
PO Box 15, Rusayl, PC 124, Sultanate of Oman
Phone: 00968-24446450, Fax: 00968-24446453
Email: sales@napco.co.om, info@napco.co.om

National Aluminium Products Co. - Branch Office
PO Box 116912, Dubai,
Office 12, Tower A, Empire Heights, Business Bay
Phone: +97144295725 / +97144295724

www.napcooman.com