



NATIONAL ALUMINIUM
PRODUCTS COMPANY SAOG

Cloud 60 Catalogue



05-2023-V.03

All rights reserved.

No part of this publication may be reproduced, stored in a retrieval system or transmitted in any form or by any means electronic, mechanical, photocopying, recording or otherwise, without prior permission of NAPCO.





Index

Company Profile	5
Technical Information	6
Cloud 60	9
Cross Section	18
Accessories List	38
Profile Index	66



About Us

National Aluminium Products Company SAOG (NAPCO) was established in 1984 and is one of the leading extruders of aluminum profiles in the GCC market. Located in the Sultanate of Oman, the manufacturing plant is spread over 65,000 sq. meters in the Rusayl Industrial Estate.

NAPCO offers a wide range of aluminum profile extrusions in finishes that suit functional modern design specifications. The company has left its mark on the architectural landscape of the Middle East, with its renowned quality products being used in several prominent structures.

Our annual production capacity is 42,000 MT, with four (4) state of the art presses. The extrusion presses are complemented by one anodizing line and two powder coating lines (vertical & horizontal). NAPCO also houses two wood finish lines and a crimping and bending facility.

NAPCO's commitment to quality has made it the first extrusion company in the Gulf to receive ISO certifications. We are also the only public limited aluminum extrusion company in the entire GCC. With a consistent focus on innovative production skills and high service standards, we will continue our objective to meet customer demands and expectations.



Technical Information on Aluminium Extrusions Supplied by NAPCO

A: Equipment & Capacity

Extrusion Press: 4

2000 MT (8') SMS Germany
2800 MT (9') Danieli Breda, Italy
1800 MT (7') Tecalex, Spain
1800 MT (7') Tecalex, Spain

Powder Coating Plant: 2
Horizontal Type, Ercon, UK
Vertical Type: Transmetal, Italy

Anodizing Line: 1
SAS, Germany

Wood Finish: 2 Naturall, Italy.
Crimping & Bending Facility.

- **Current Capacity Per Annum**
Extrusion: 42,000
Powder Coating: 27,000
Anodizing: 2,400
Wood Finish: 1,500

B: General Specification

Max profile size CCD 305mm
(*indicative size)

C: Product Range

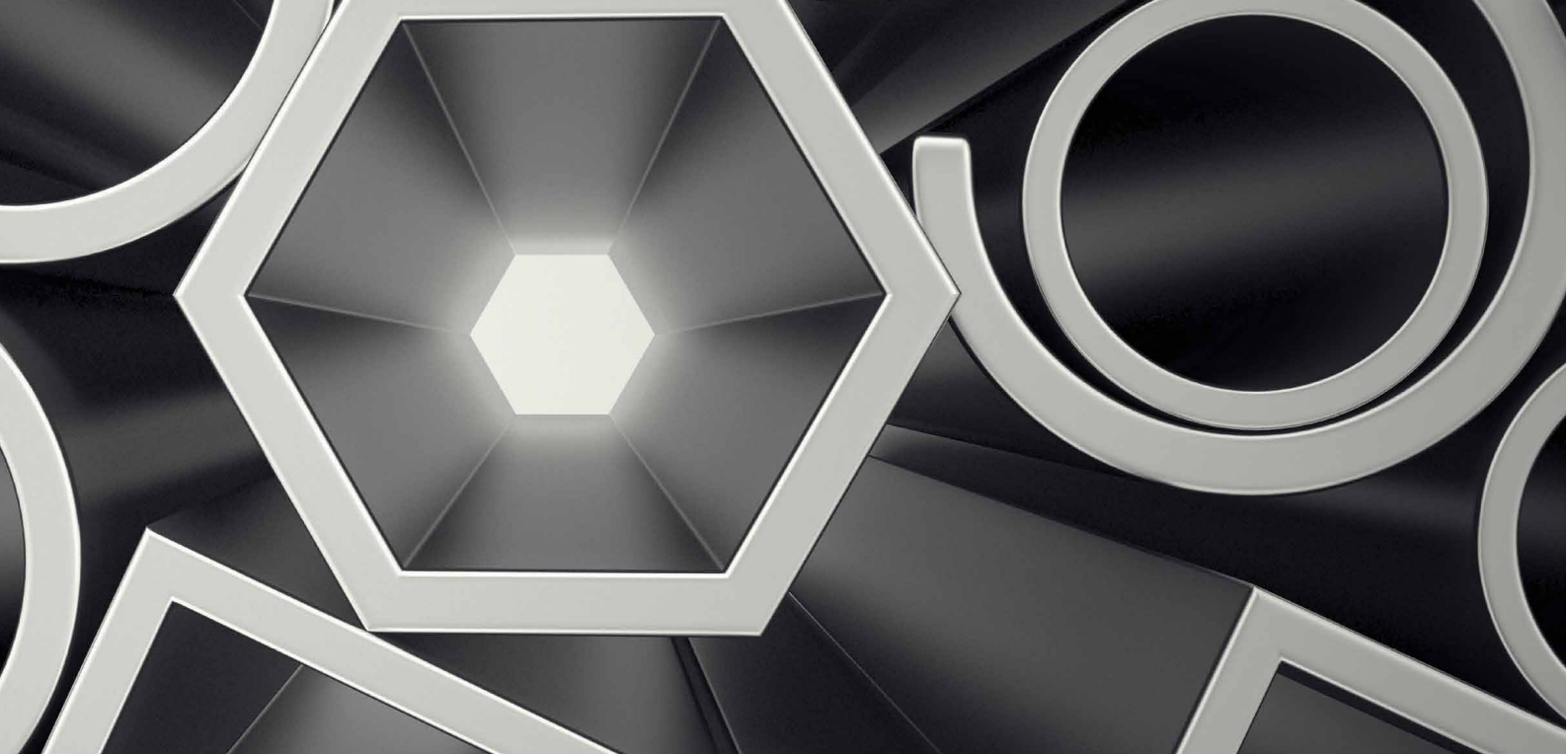
NAPCO offers a range of over 6000 profiles to suit the architectural and manufacturing industry. NAPCO also develops exclusive dies for customers against their own designs.

- **Aluminium extrusions in:**
Mill Finish
Anodized
Powder Coated and Natural Wood Finish
- **Facade Systems:**
NAPCO is in partnership with world renowned facade system houses in the GCC. Please contact us to discuss your best-fit solution.

D: Anodizing

NAPCO has one anodizing line employing Sulphuric acid anodizing process offering a wide range of color shades such as Silver, Bronze and Black with scope of developments of other shades to suit customer requirements.

Specifications: DC Sulphuric Acid Anodizing As per EN 1- 12373 and BS 1991 3987
Qualanod Approved



E: Powder Coating

NAPCO has two powder coating lines (Horizontal & Vertical) with IR curing ovens. the color coat thickness is exposed areas is around 80-60 microns. The new vertical line can accommodate profile length up to 8 meters.

Qualicoat Approved.

Natural finish is available in seven combinations of wood patterns.

Specification: As per 6496

F: Certifications



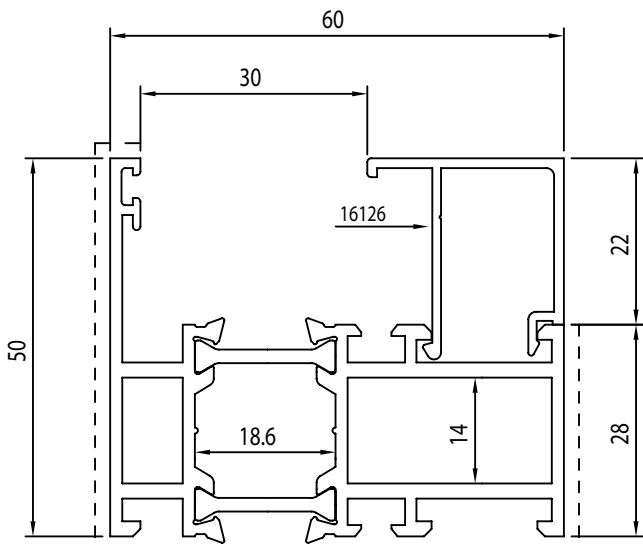
Intertek



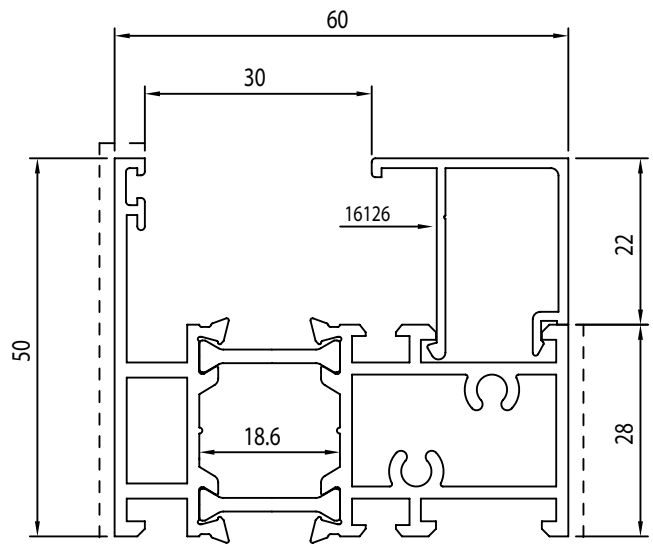
014



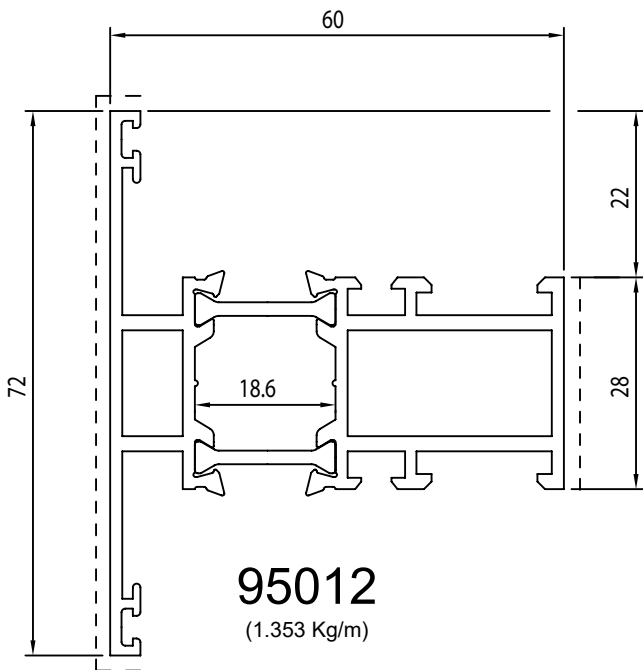




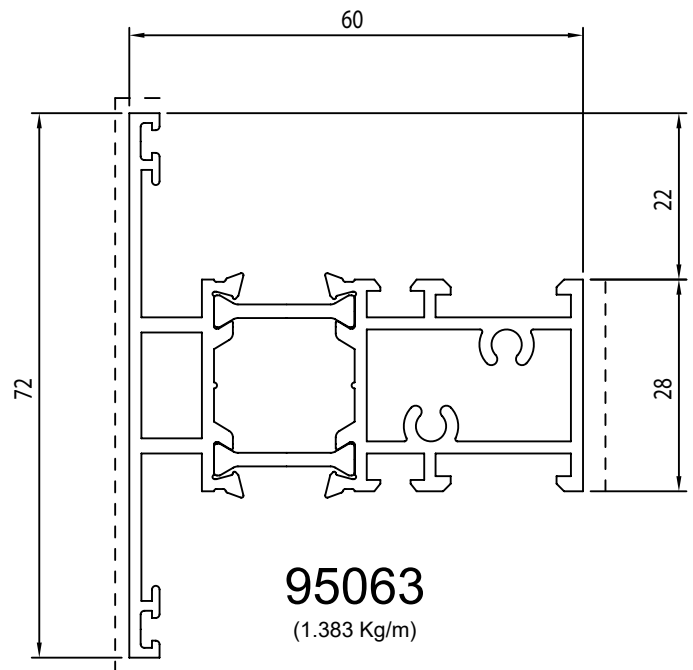
95010
(1.244 Kg/m)



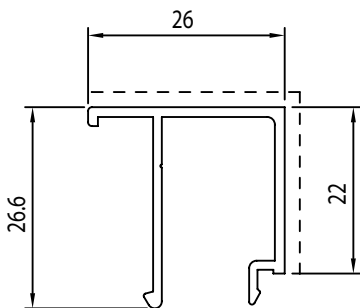
95066
(1.274 Kg/m)



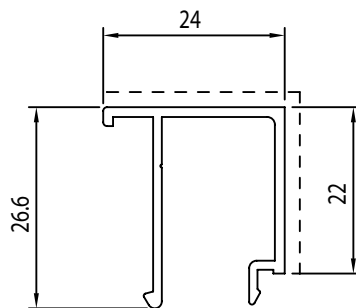
95012
(1.353 Kg/m)



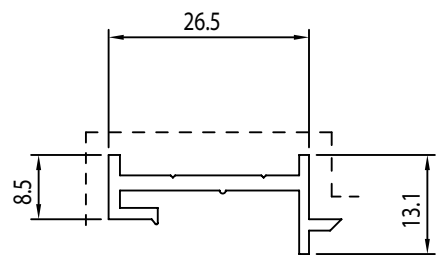
95063
(1.383 Kg/m)



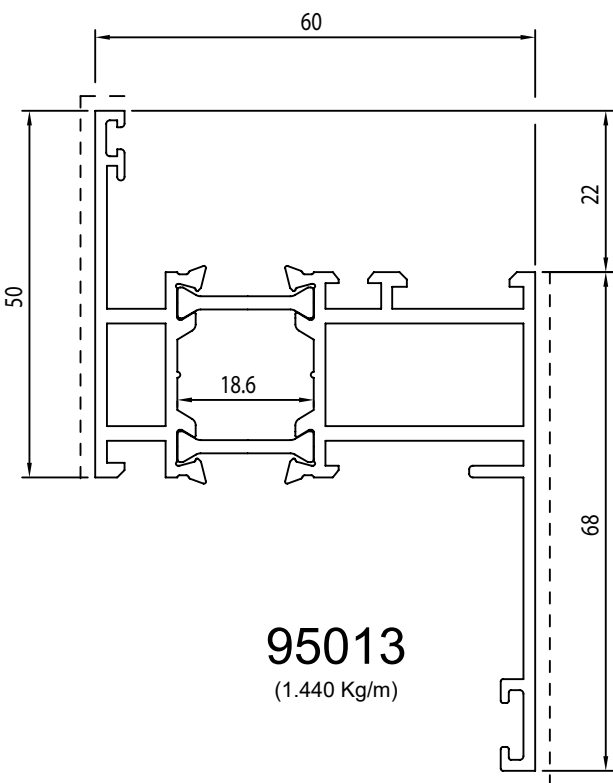
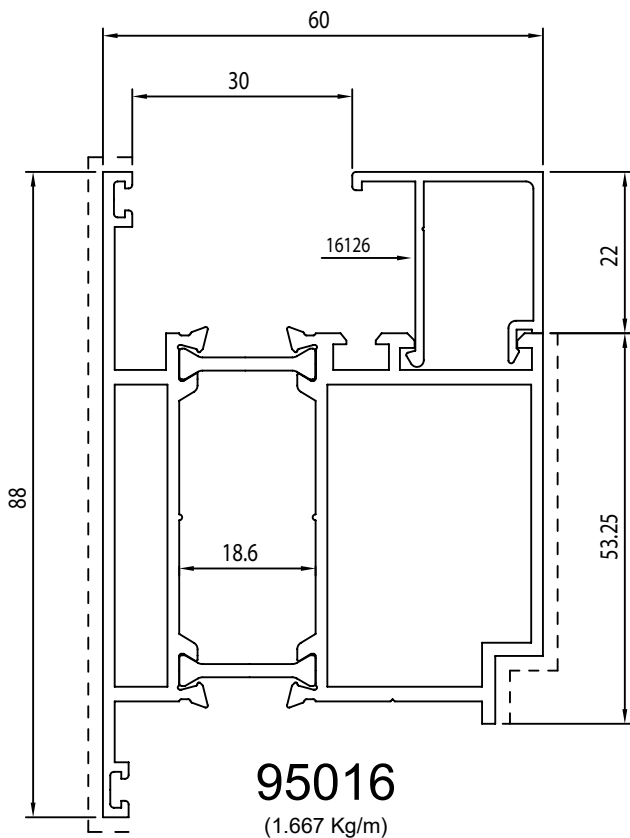
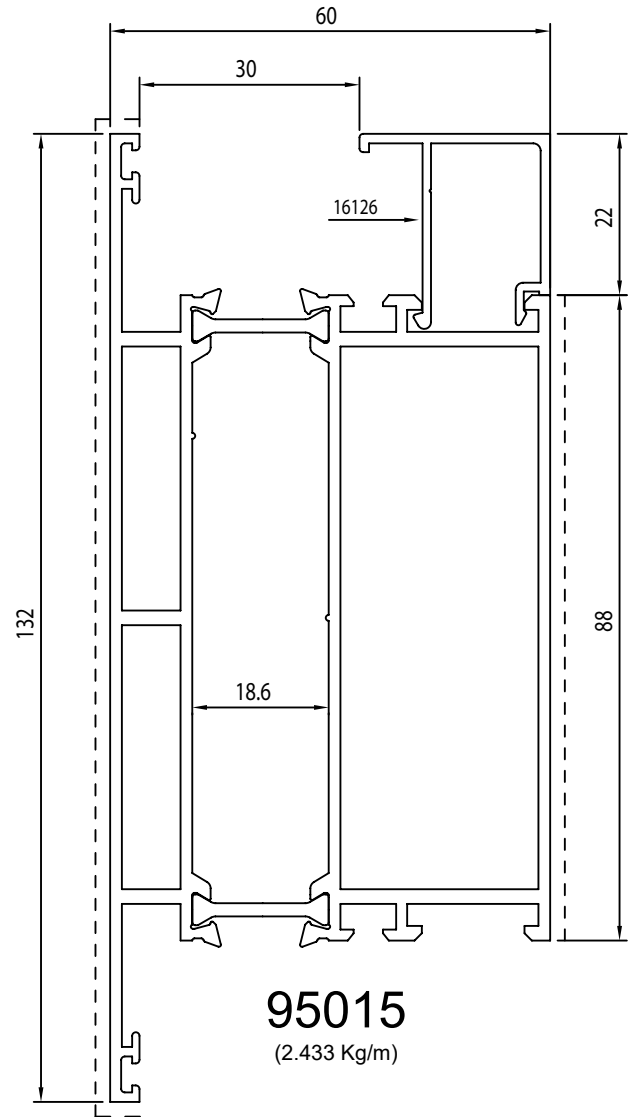
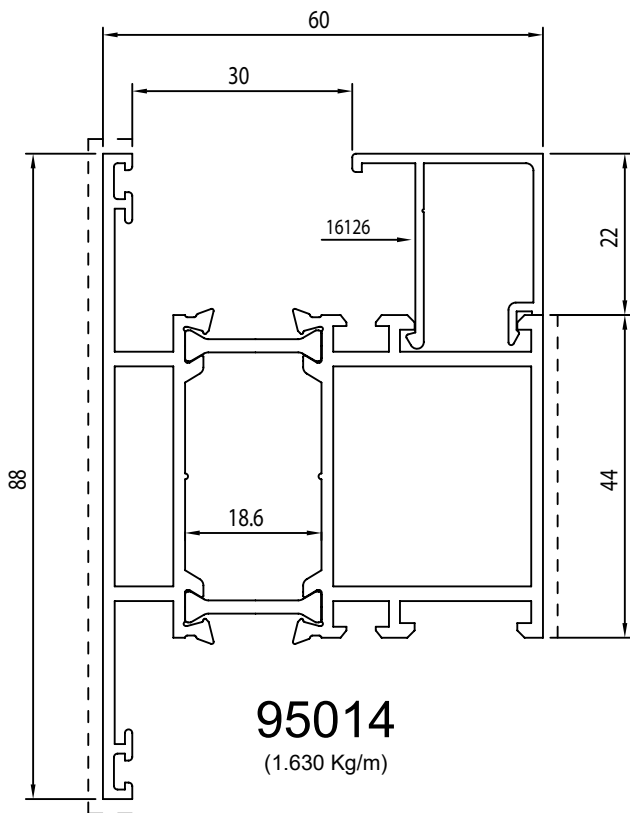
16126
(0.275 Kg/m)

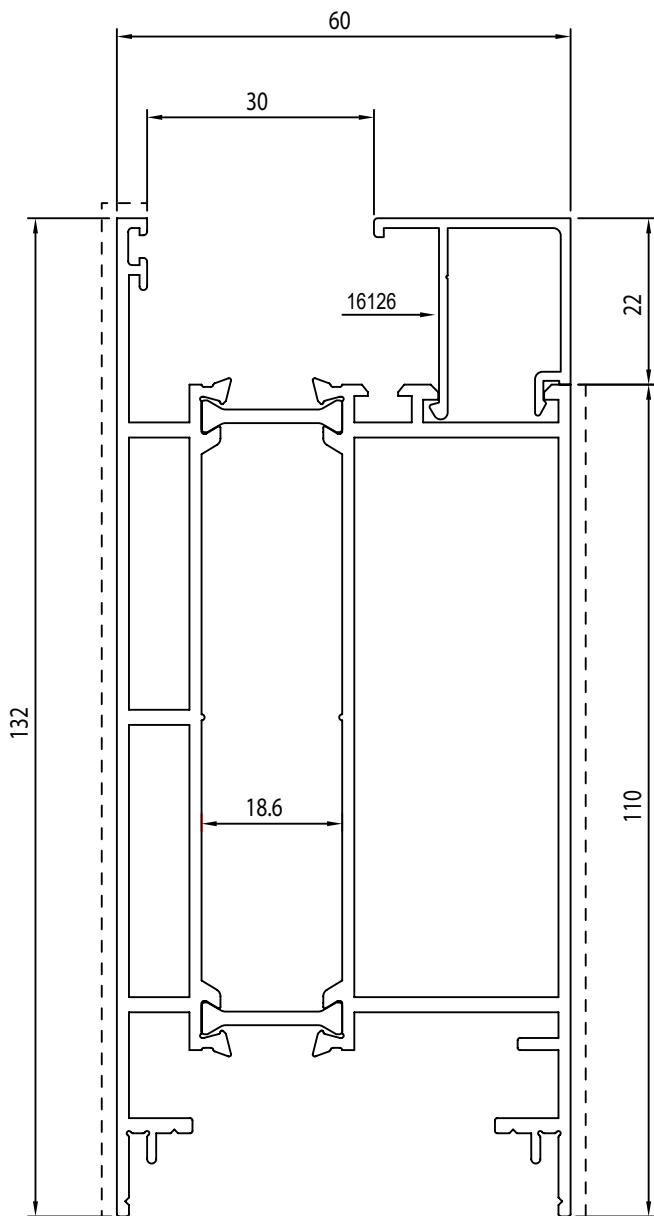


16791
(0.268 Kg/m)

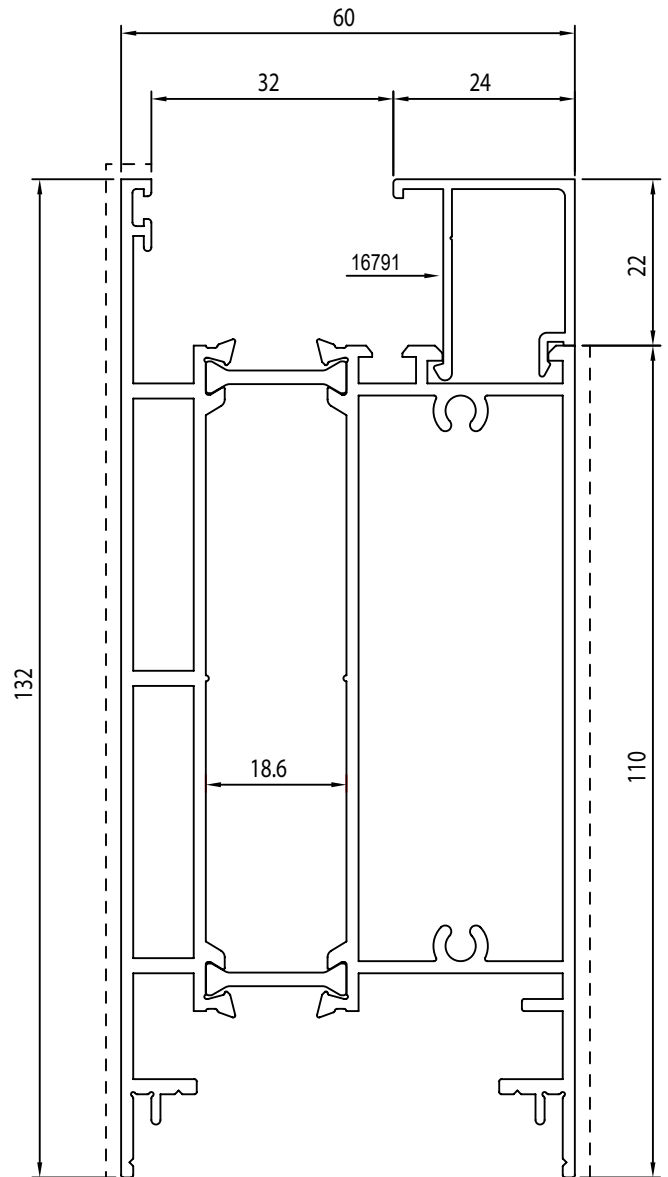


16124
(0.244 Kg/m)

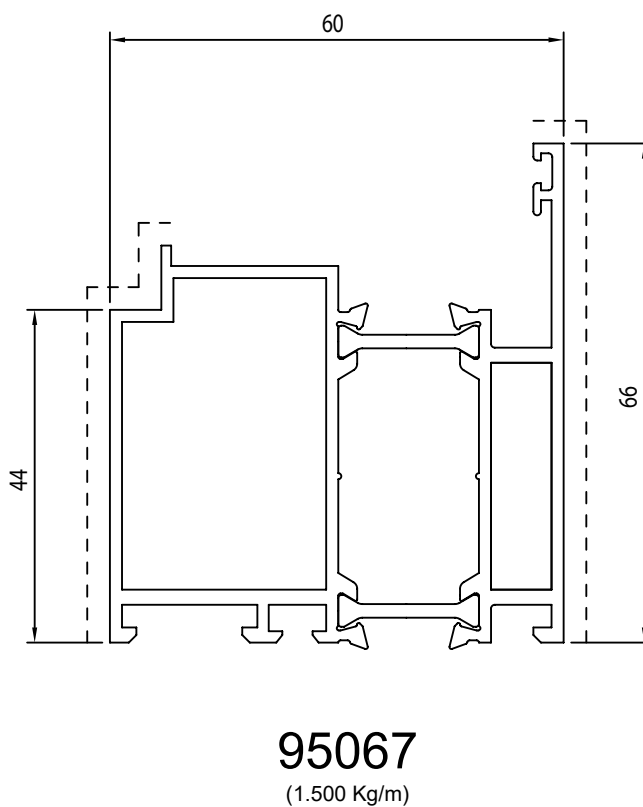
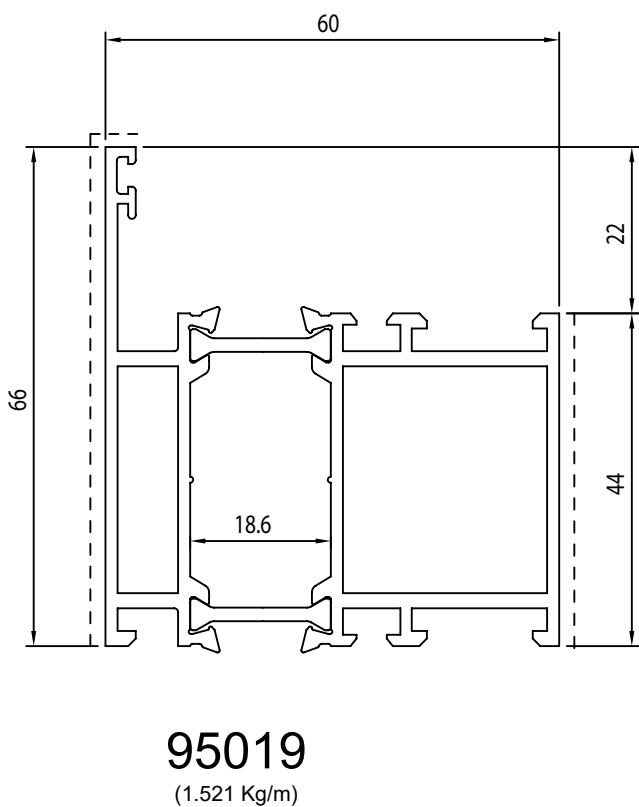
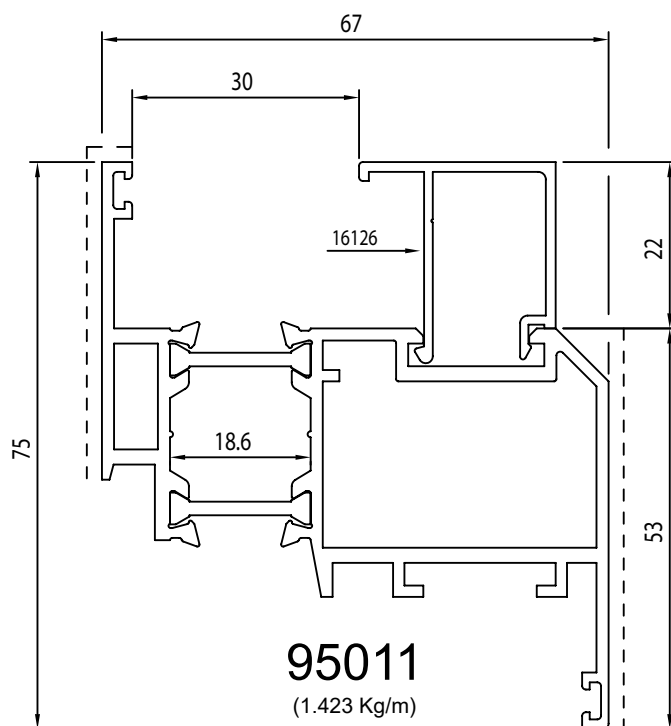
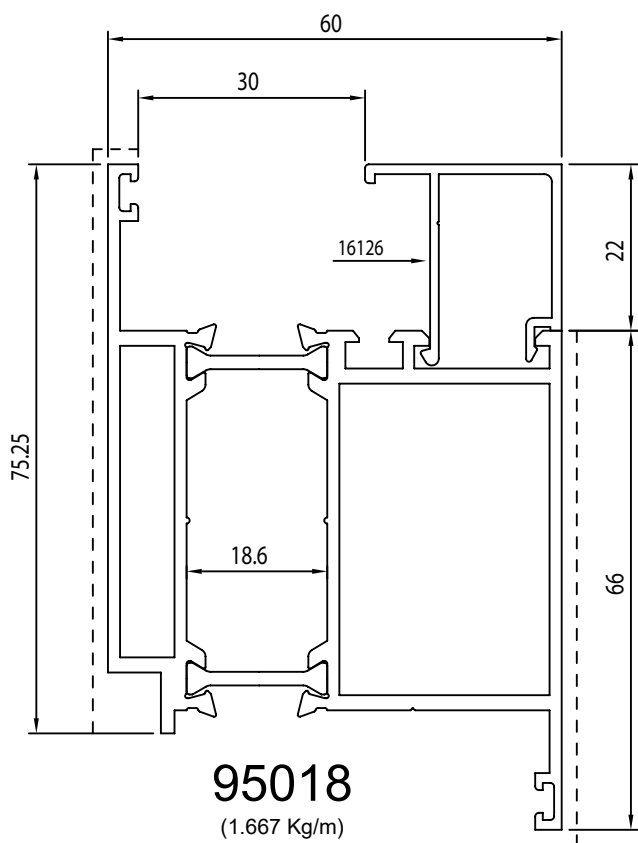


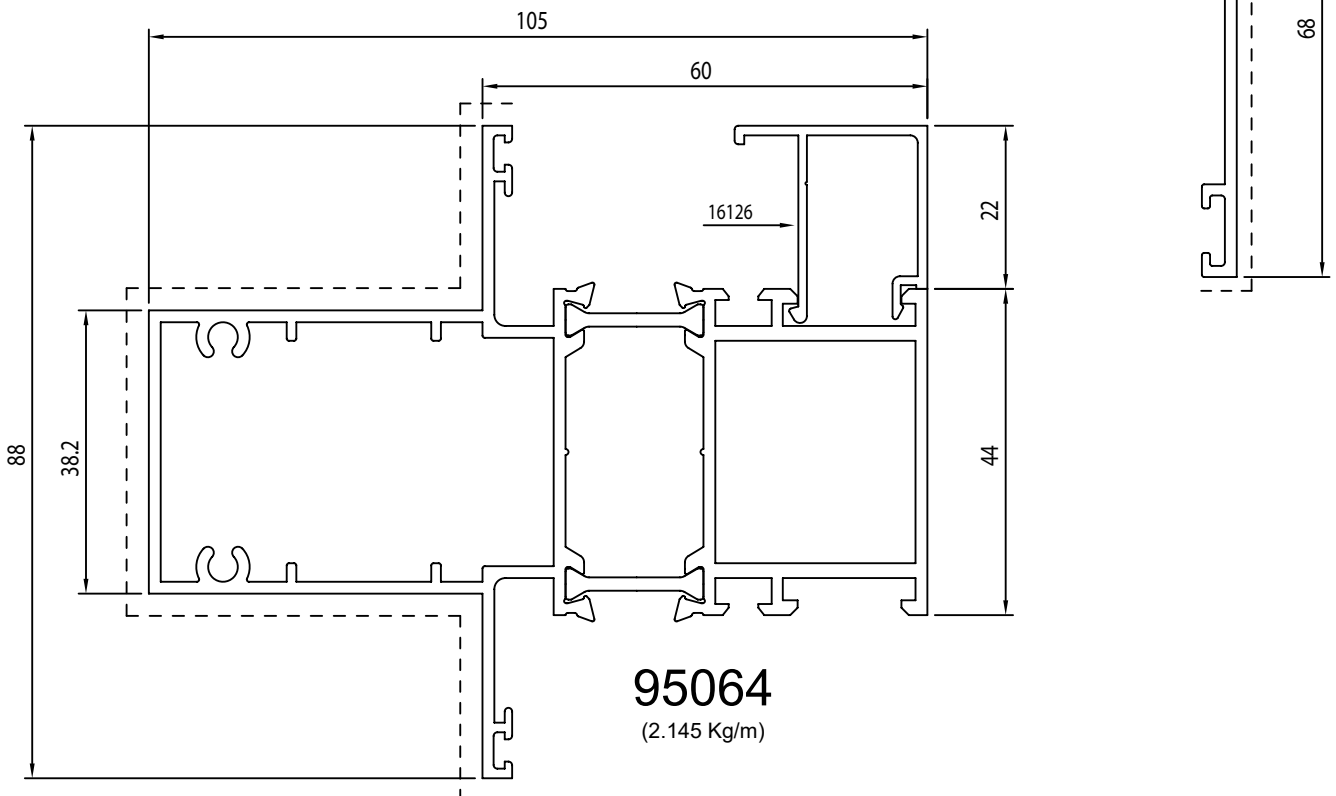
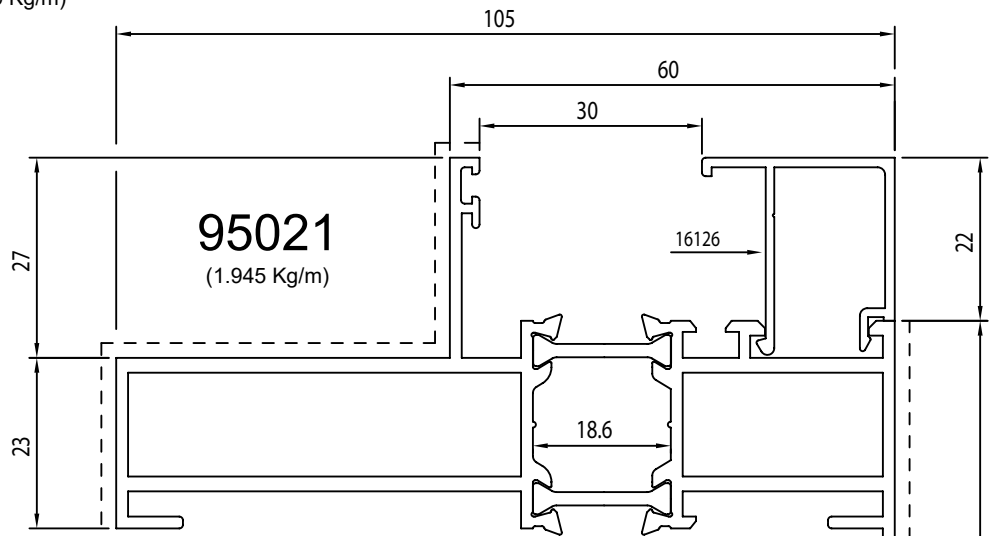
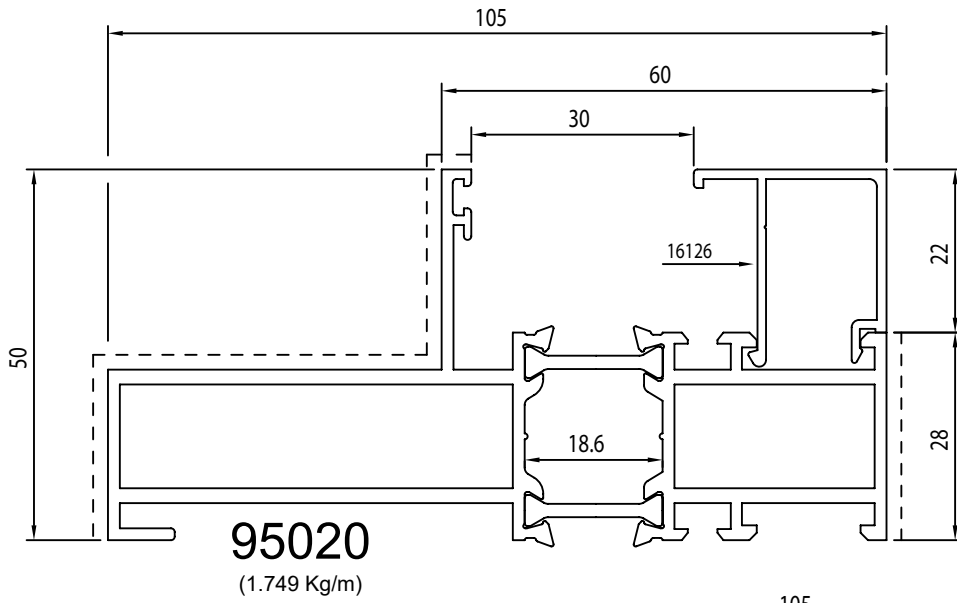


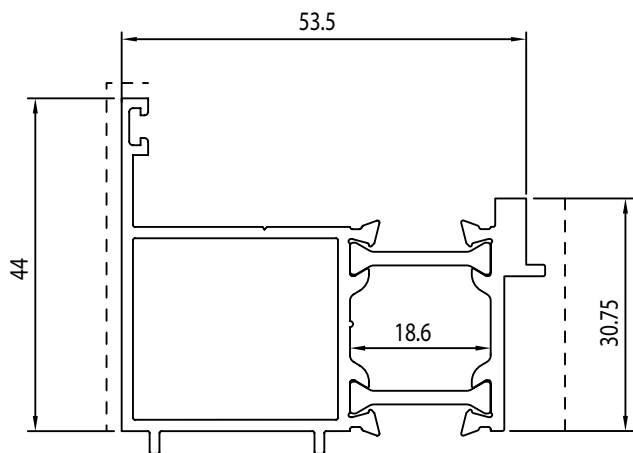
95017
(2.585 Kg/m)



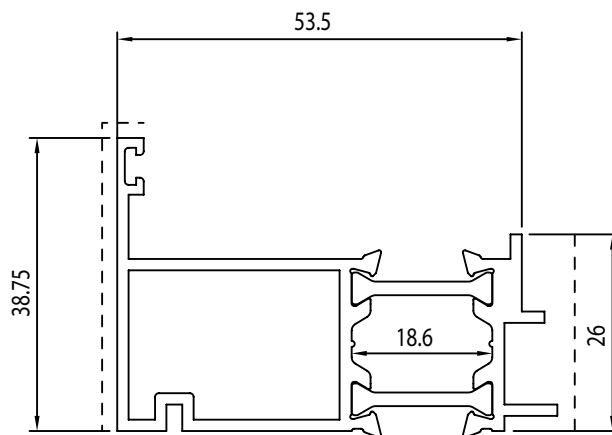
95065
(2.615 Kg/m)



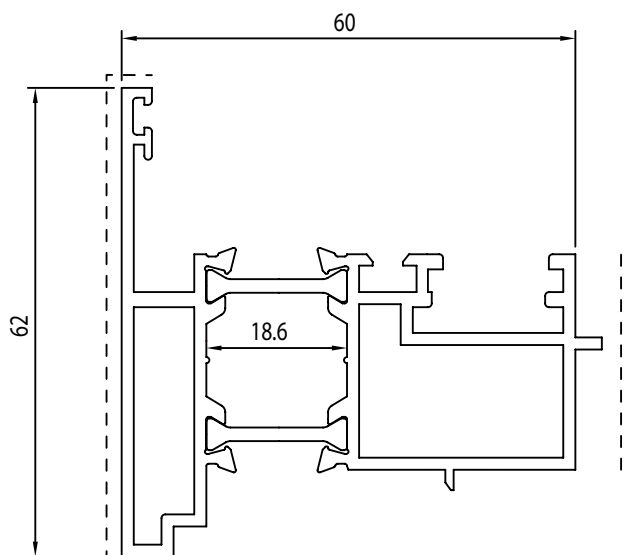




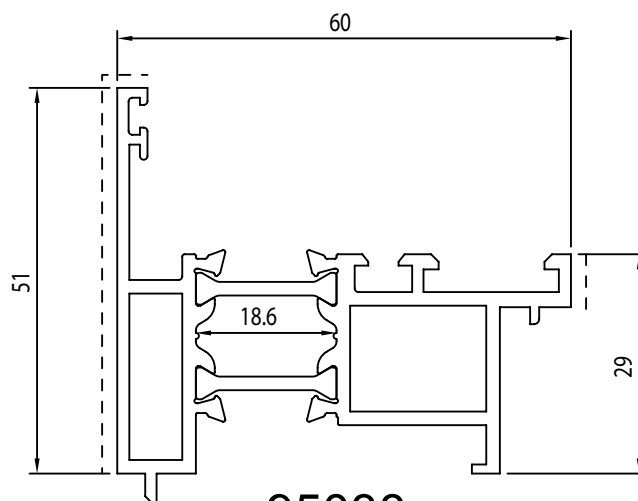
95061
(0.926 Kg/m)



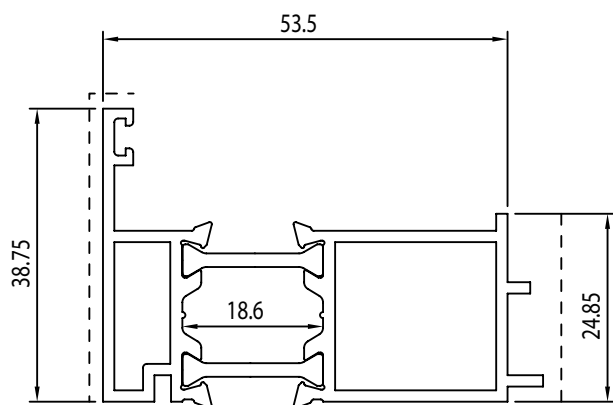
95037
(0.874 Kg/m)



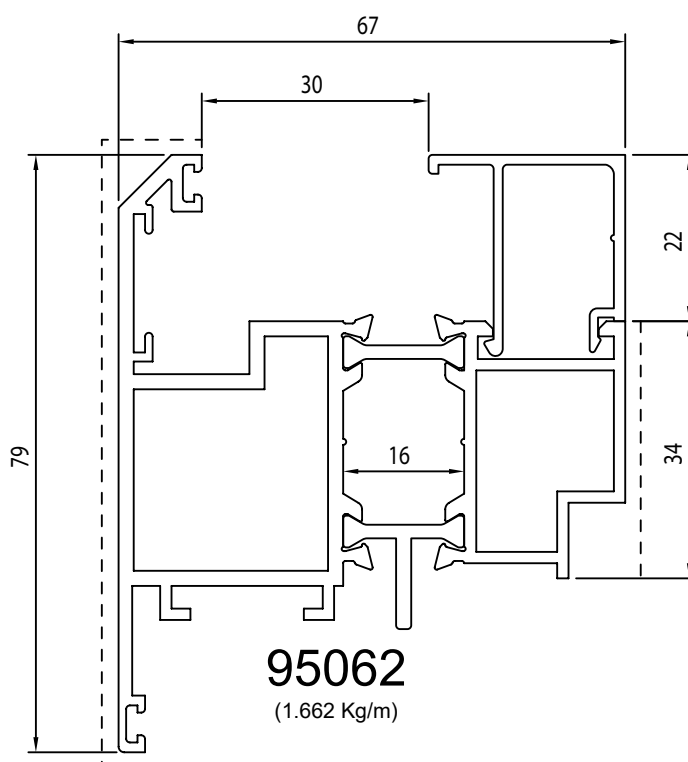
95039
(1.296 Kg/m)



95038
(1.160 Kg/m)

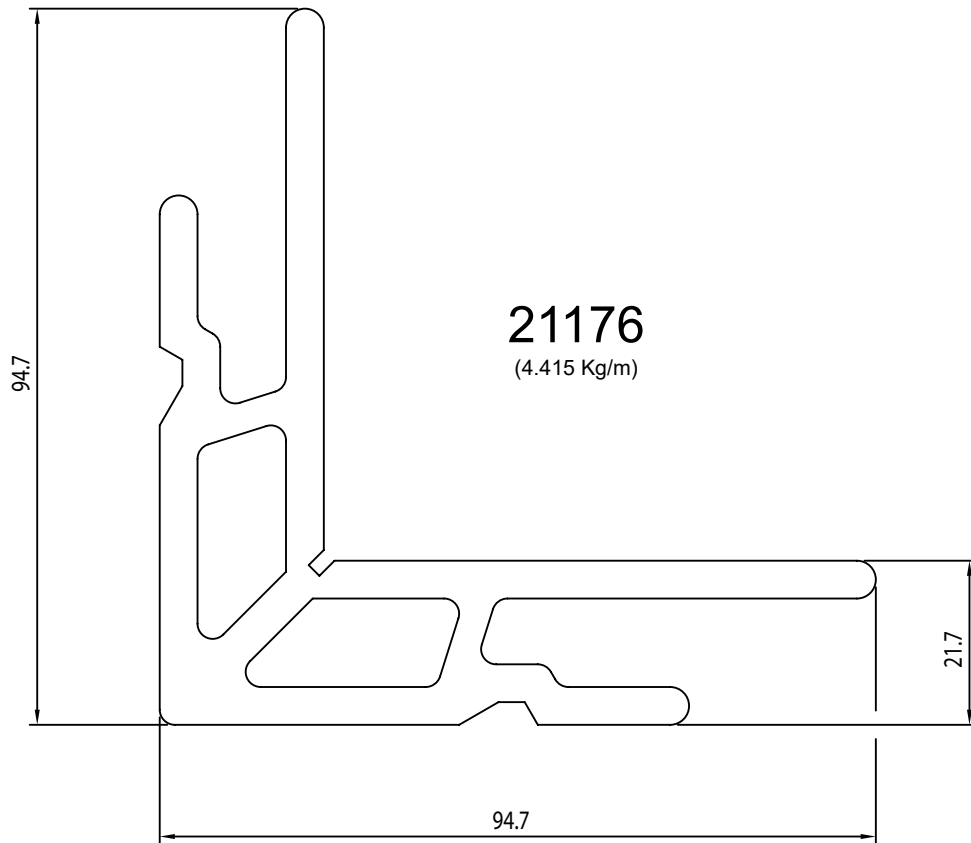
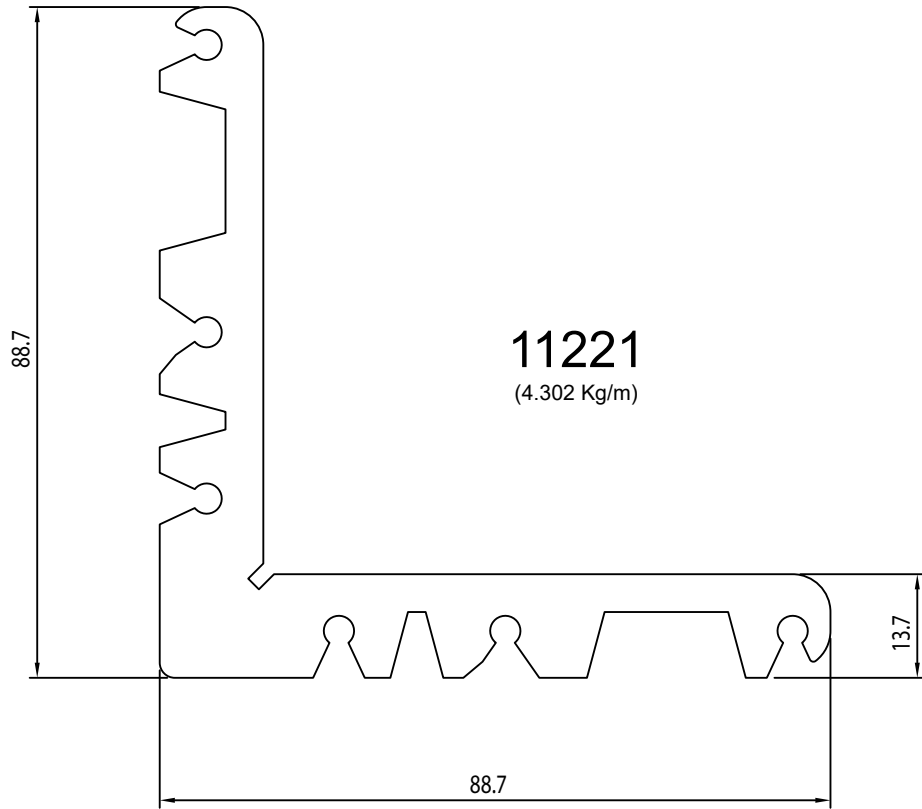


95022
(0.901 Kg/m)

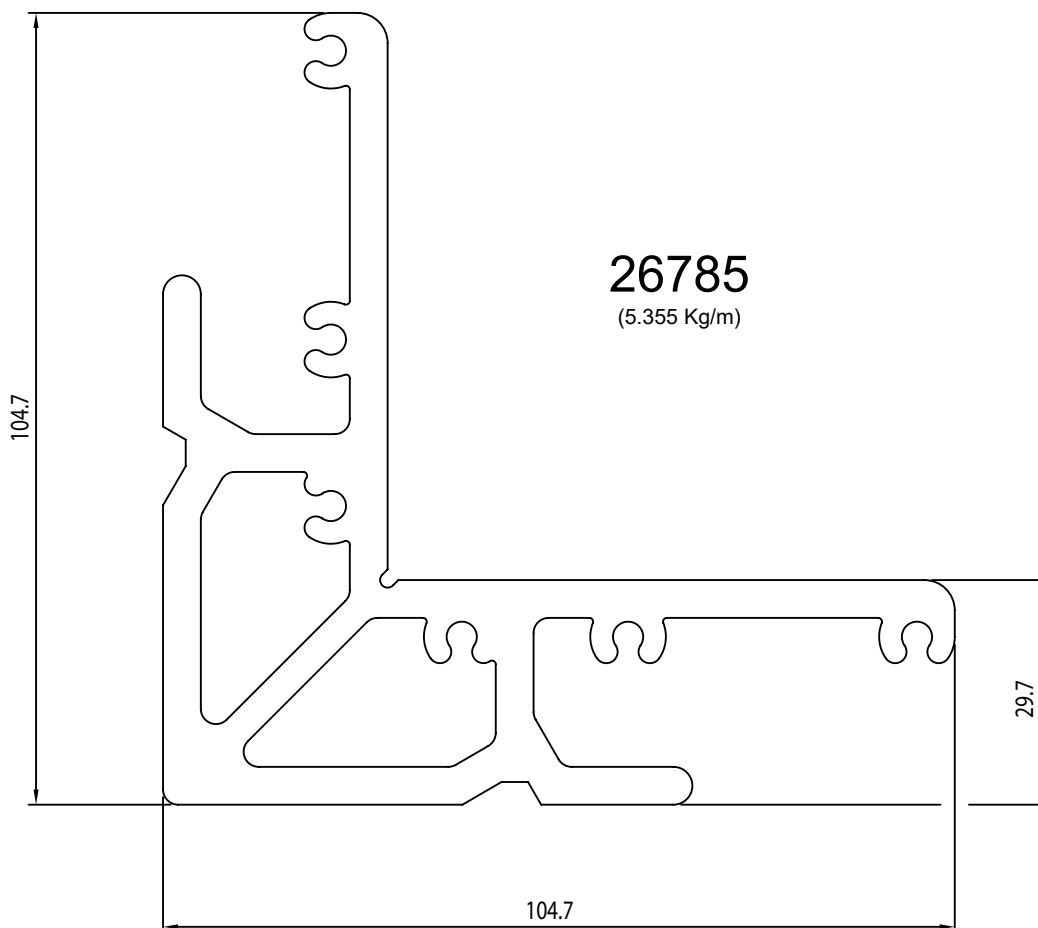
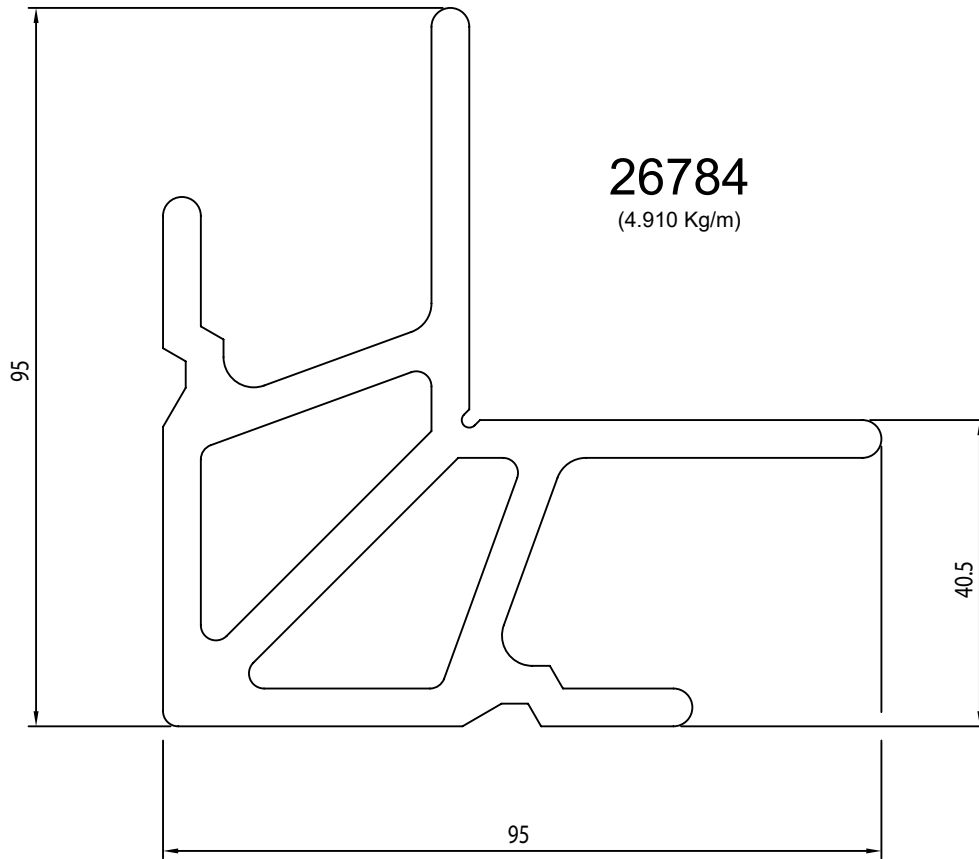


95062
(1.662 Kg/m)

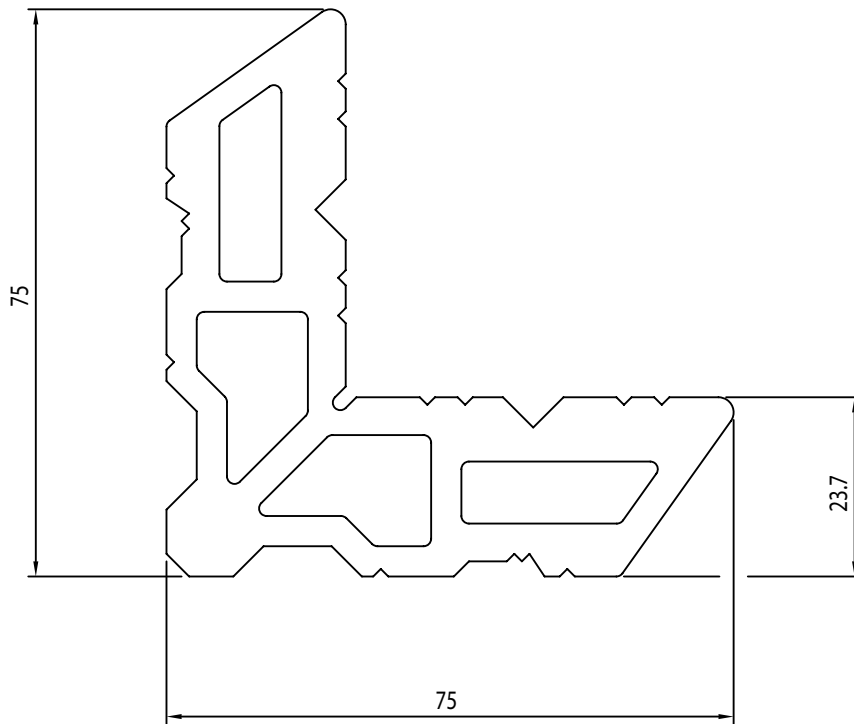
* For export, not recommended for GCC usage



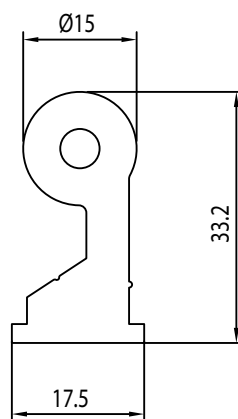
* For export, not recommended for GCC usage



* For export, not recommended for GCC usage

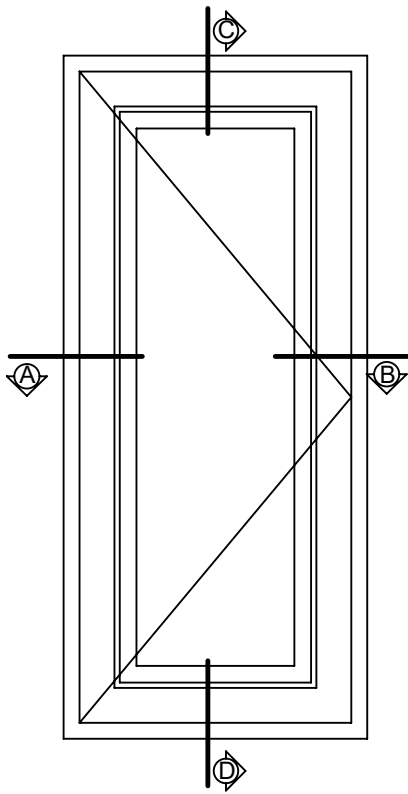


26786
(4.339 Kg/m)

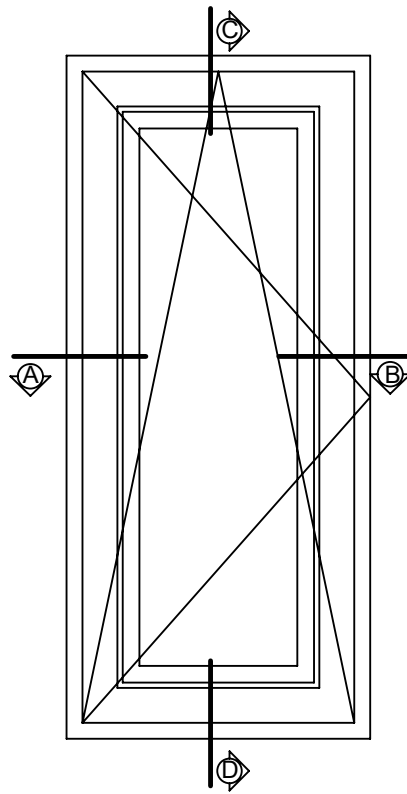


27437
(0.927 Kg/m)

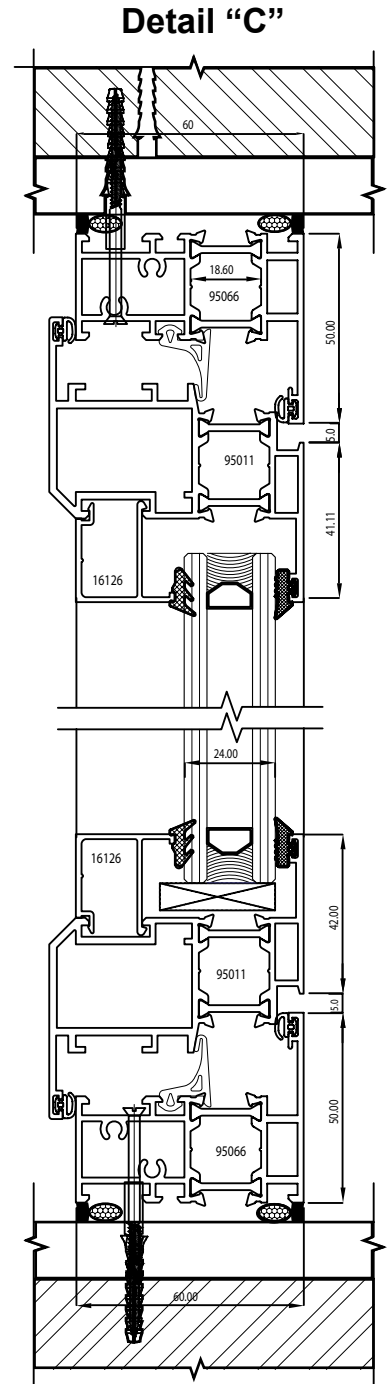
* For export, not recommended for GCC usage



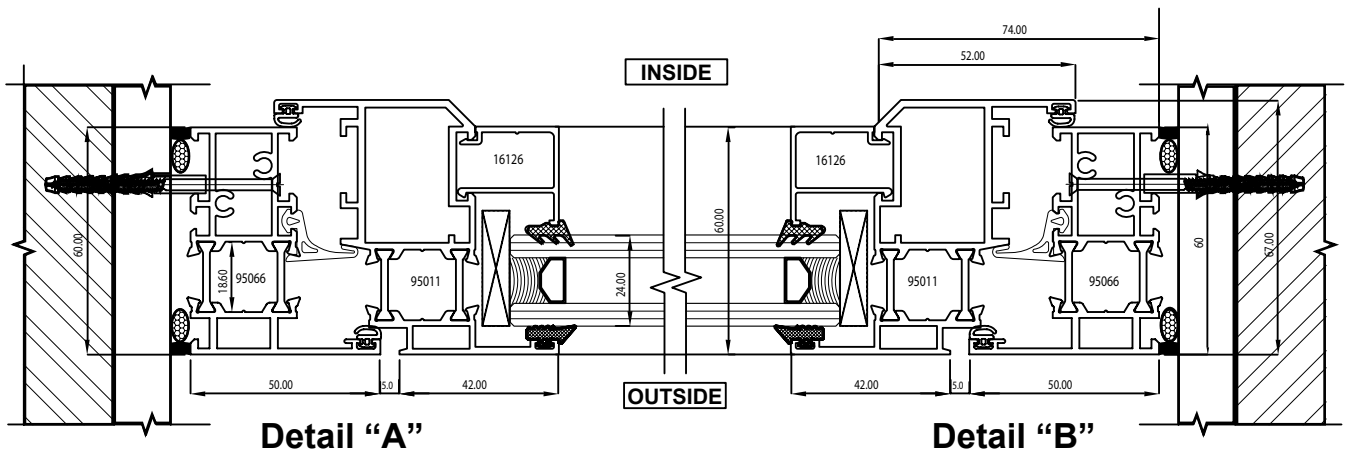
Single Leaf Hinged Window



Tilt & Turn Window

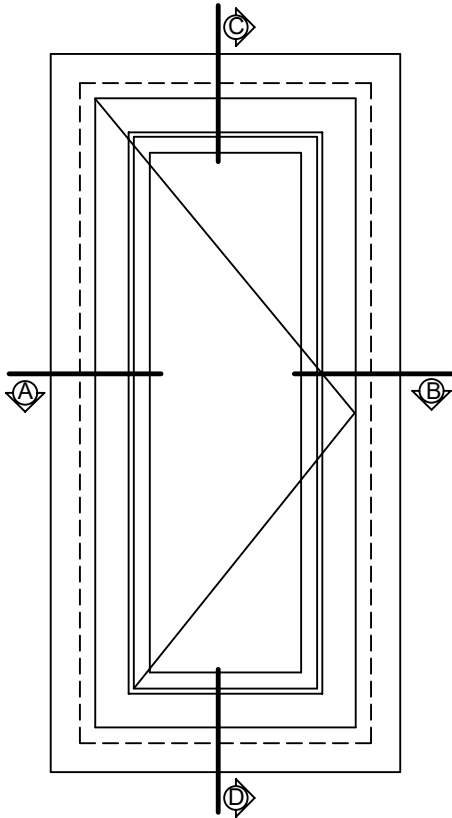


Detail "C"



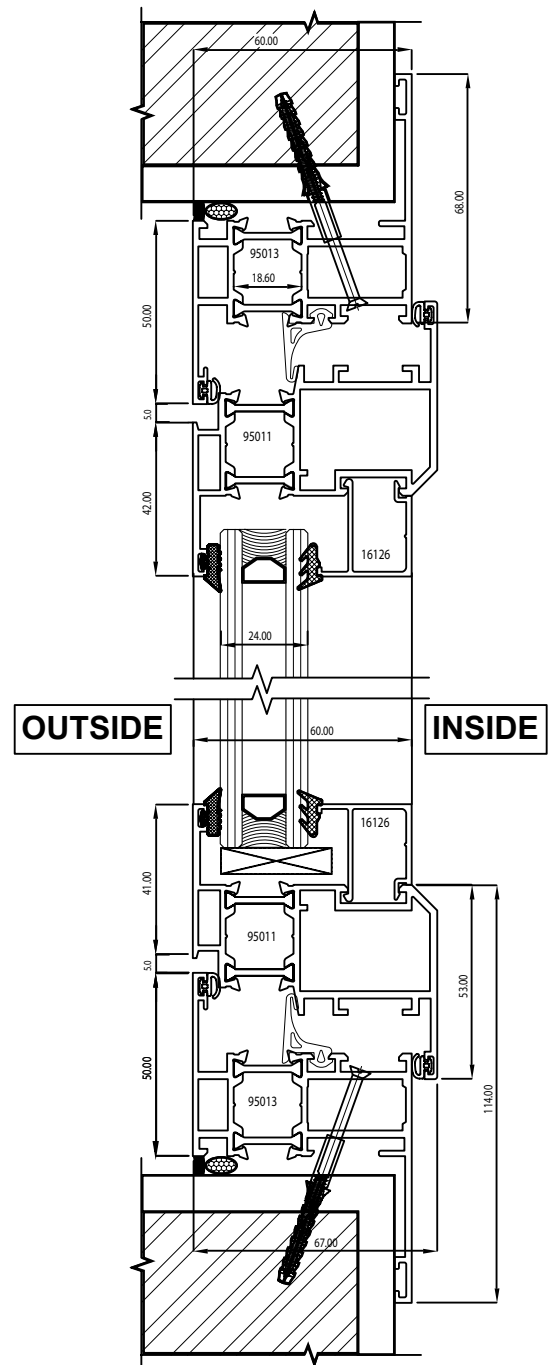
Detail "A"

Detail "B"

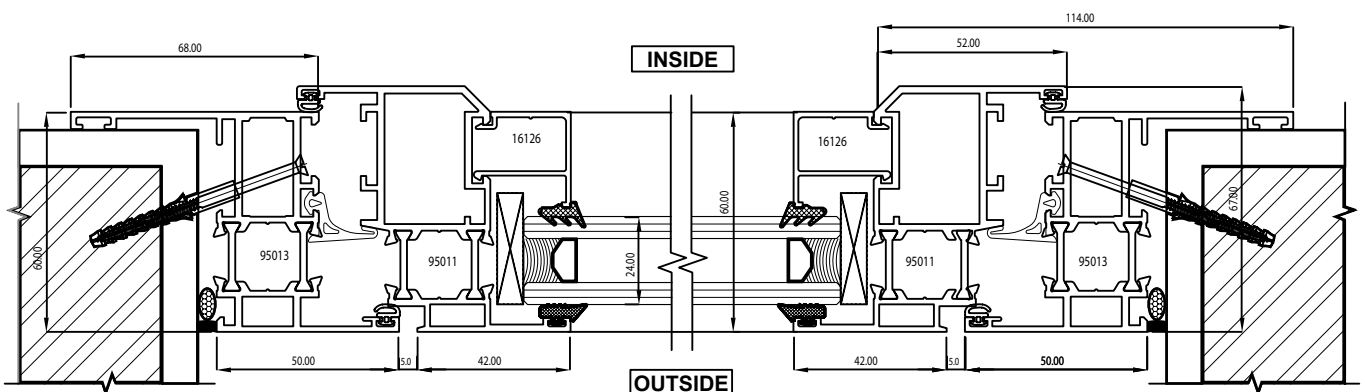


Single Leaf Hinged Window With Architrave

Detail "C"

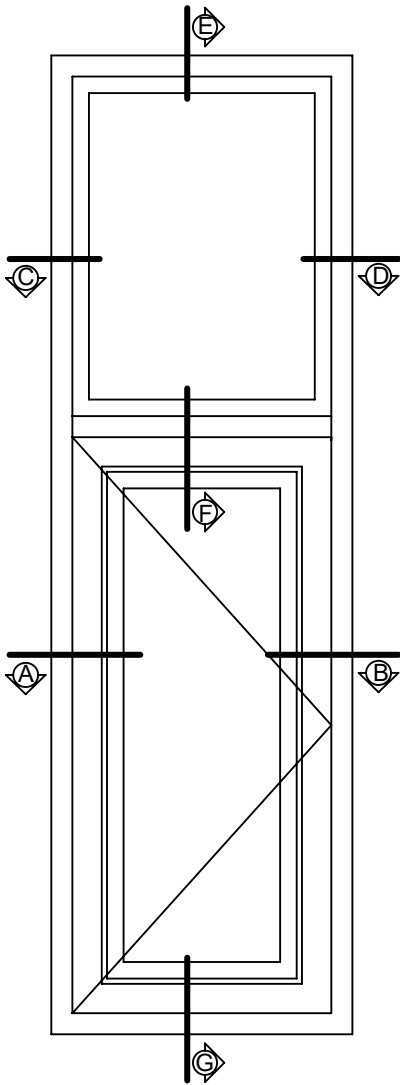


Detail "D"

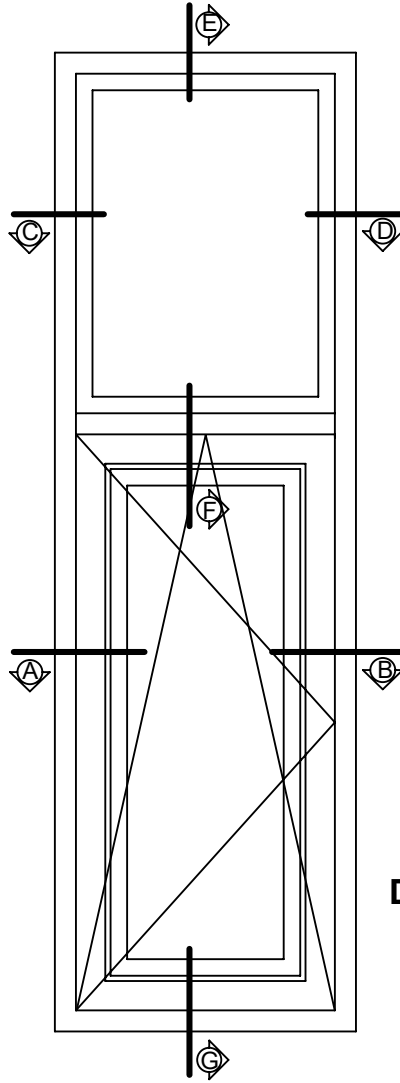


Detail "A"

Detail "B"

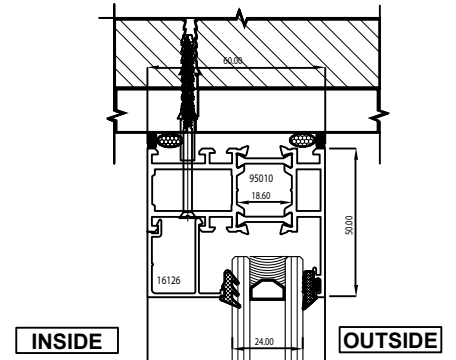


Single Leaf Hinged Window With Top Fixed Window

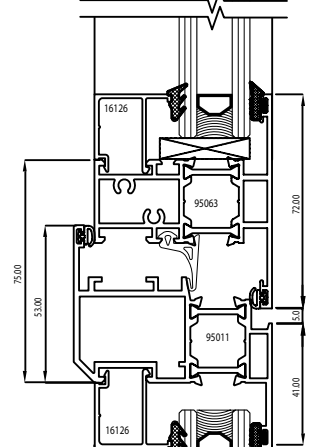


Turn & Tilt Window With Top Fixed Window

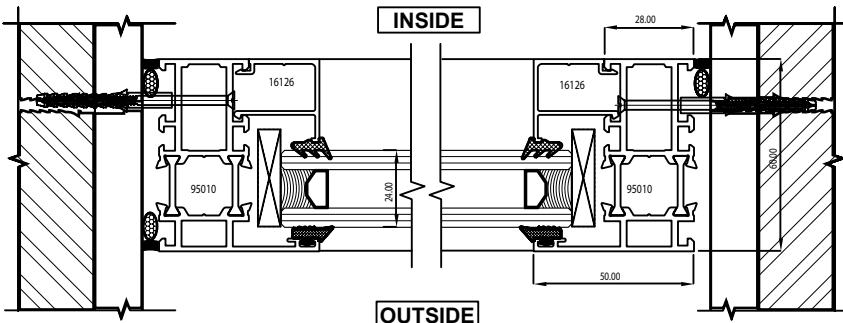
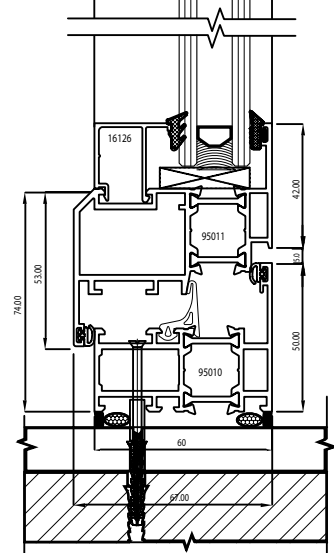
Detail "E"



Detail "F"

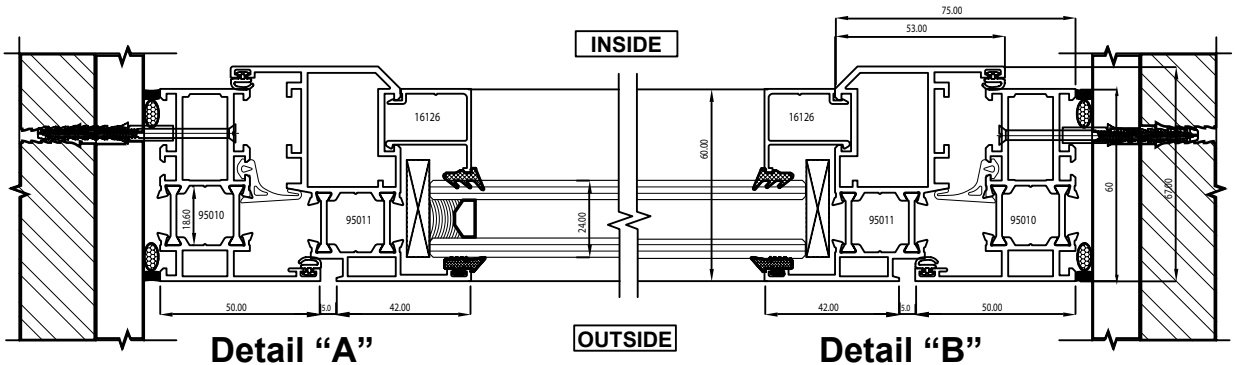


Detail "G"



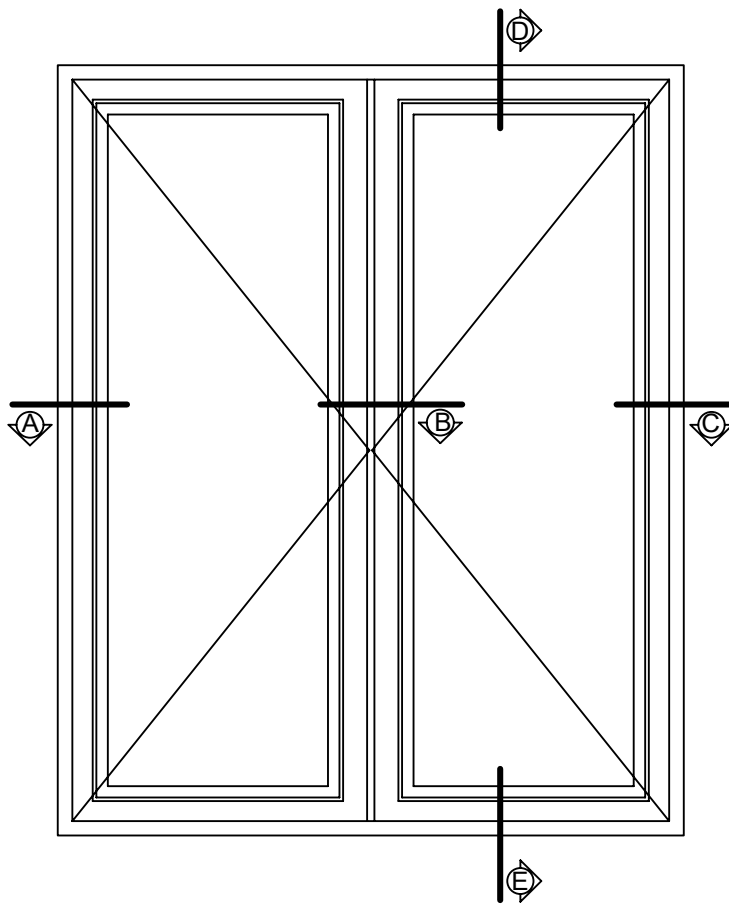
Detail "C"

Detail "D"

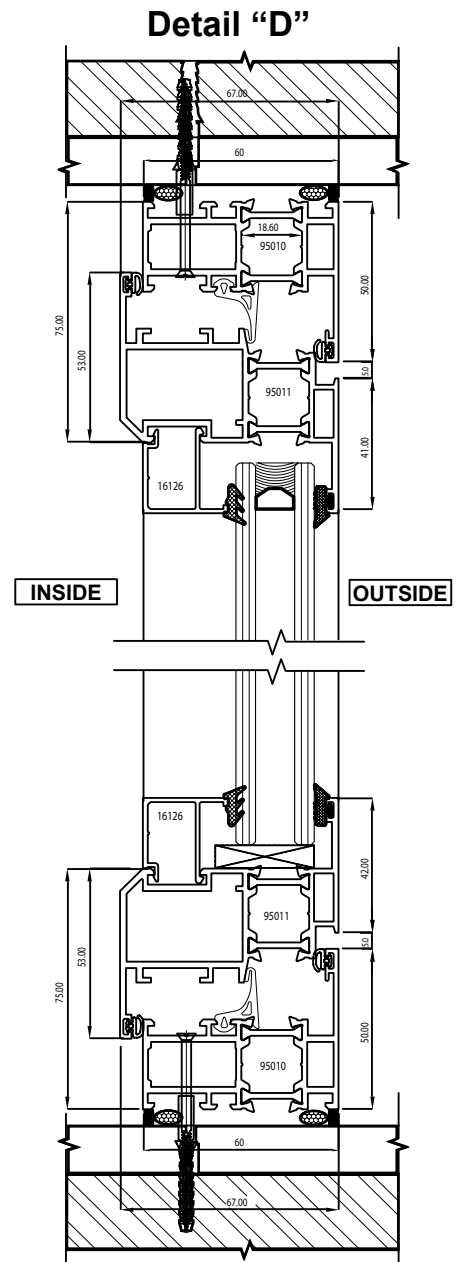


Detail "A"

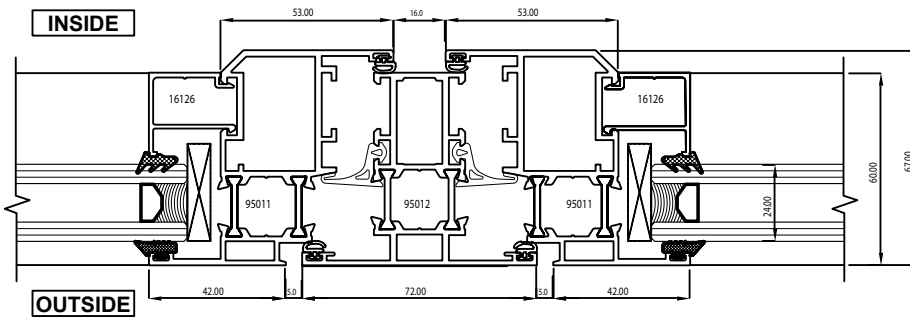
Detail "B"



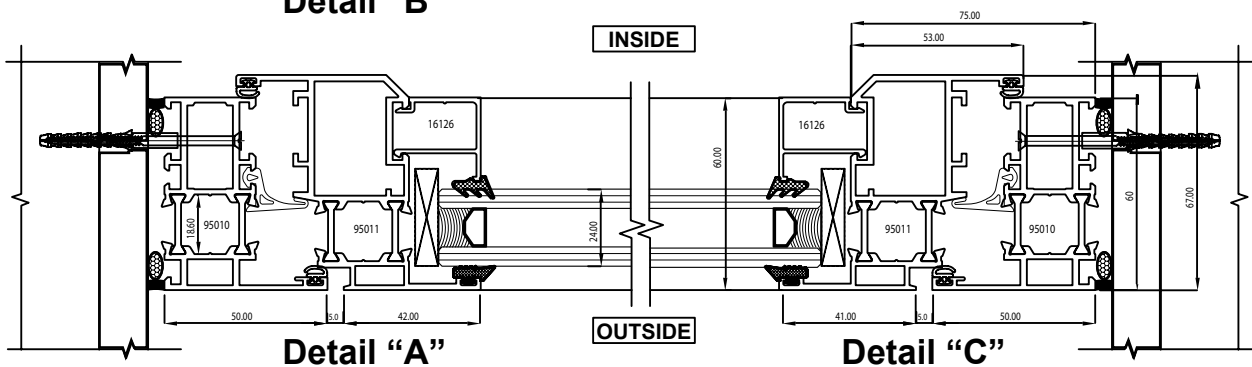
**Double Leaf Hinged Window With Mullion
Open In**



Detail "E"



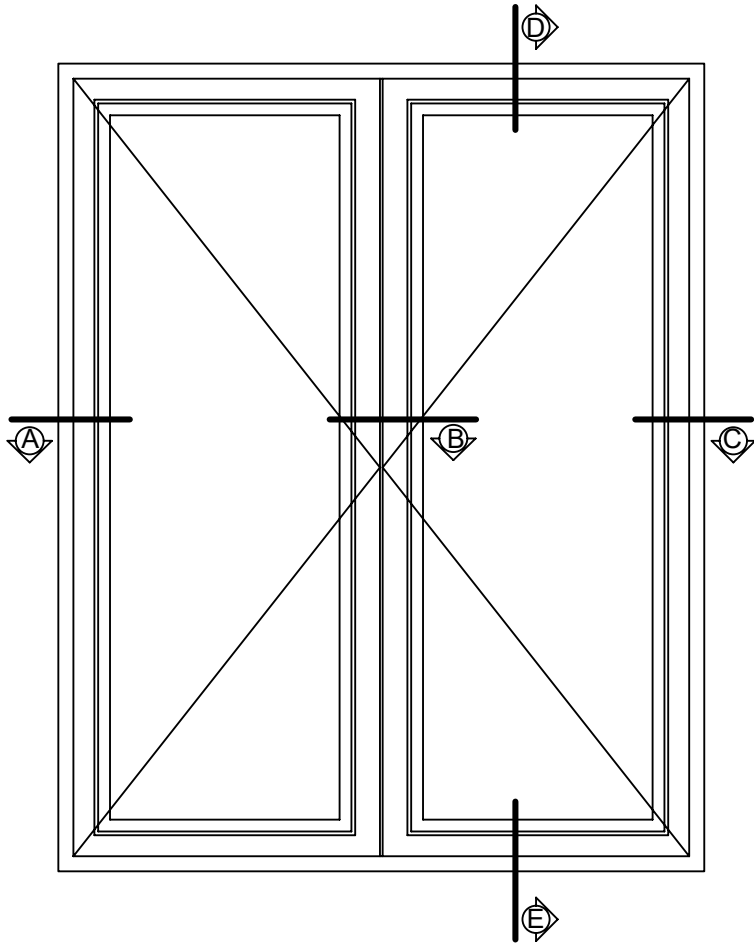
Detail "B"



Detail "A"

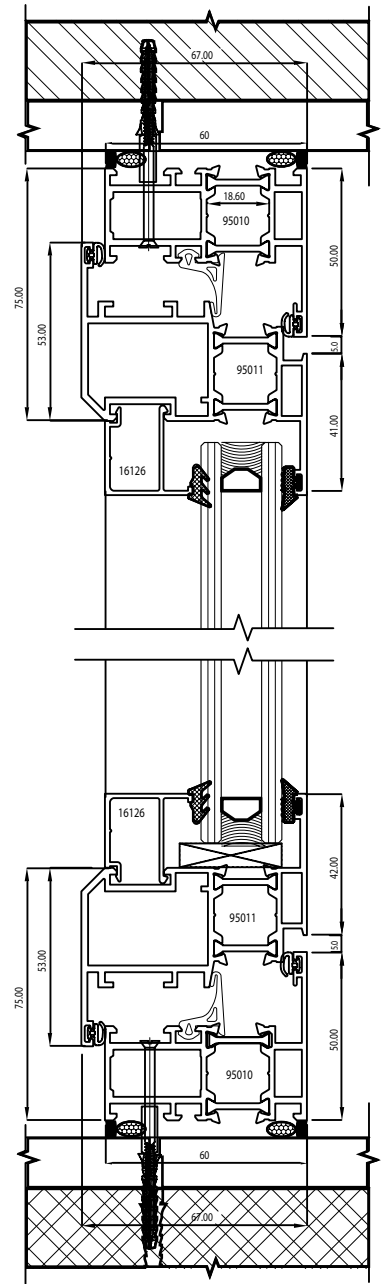
Detail "C"

Use Same Accessories List of Single Leaf Hinge Window

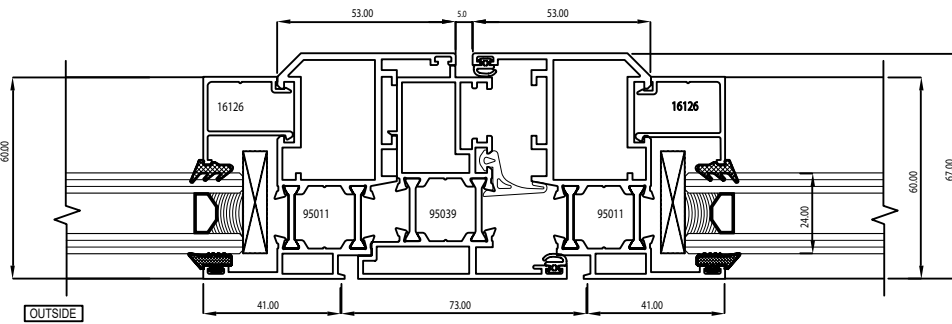


Double Leaf Hinged Window Without Mullion Open In

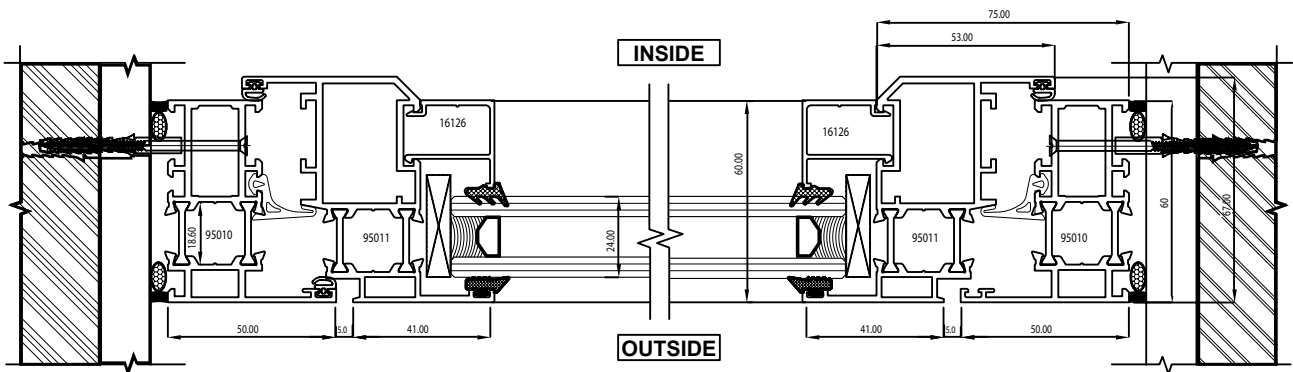
Detail "D"



Detail "E"



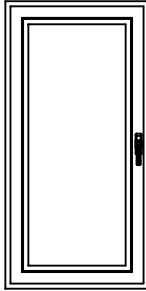
Detail "B"



Detail "A"

Detail "C"

Casement Window Internal Opening Accessories List Configuration



SIDE HUNG WINDOW INTERNAL OPENING

Mandetroy Accessories

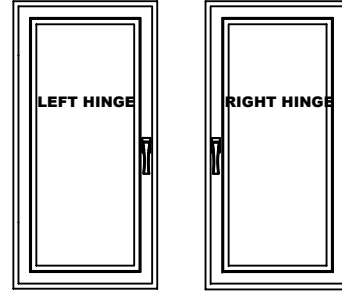
Accessories code	Description	Qty
00120U	Fish base hinge	2
01000U	Cremona	1
02270	Internal opening kit	1

Additional Accessories

00115U	3 leaf hinge	2
02030K	Friz Limiter arm	1

Additional Accessories (H >1200 W >1000)

04030K	Adjustable Pawl	4
01343K	Striker	4
04019K	Corner Drive	2



SIDE HUNG WINDOW INTERNAL OPENING (CONCEALED)

Mandetroy Accessories

Accessories code	Description	Qty
043540001	CHIC hinge (Right)	1
043540002	CHIC hinge (Left)	1
03962 /03963	Prima / Asia NP Supra Handles	1
03954	NP Mechanism	1
02114K	Rod Terminal	2
01322K	Single Striker	2

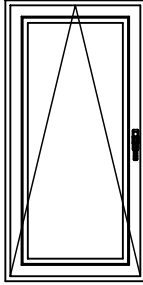
Additional Accessories

02030K	Friz Limiter arm	1
--------	------------------	---

Additional Accessories (H >1200 W >1000)

04030K	Adjustable Pawl	4
01343K	Striker	4
04019K	Corner Drive	2

Casement Window (Tilit & Turn) Accessories List Configuration



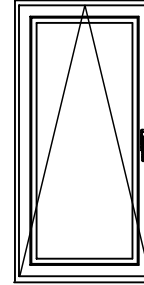
TILT AND TURN WINDOW 130KG

Mandetroy Accessories

Accessories code	Description	Qty
04704	T&T mechanism	1
04711	T&T hinge	1
04284	Arm type-1 (410 - 700mm)	1
04285	Arm type-2 (570 - 1800mm)	
01039	Prima T&T Cremone	1

Additional Accessories (H >1200 W >1000)

04030K	Adjustable Pawl	2
01343K	Striker	2
04770K	Additional closing kit (H >1200 W >1000)	1 / 2
04301K	Additional arm (W >1000)	1
02030K	Friz Limiter arm	1



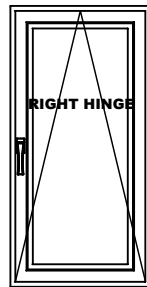
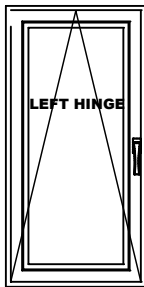
TILT AND TURN WINDOW 80KG (CLASSIC 80)

Mandetroy Accessories

Accessories code	Description	Qty
04704	T&T mechanism	1
04739	T&T hinge	1
04339	Arm type-1 (410 - 1300mm)	1
04340	Arm type-2 (570 - 1700mm)	
01039	Prima T&T Cremone	1

Additional Accessories (H >1200 W >1000)

04030K	Adjustable Pawl	2
01343K	Striker	2
04770K	Additional closing kit (H >1200 W >1000)	1 / 2
04301K	Additional arm (W >1000)	1
02030K	Friz Limiter arm	1



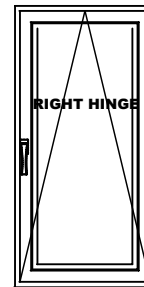
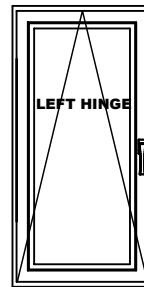
TILT AND TURN WINDOW CHIC & NP SUPRA (ARM TYPE-1)

Mandetroy Accessories

Accessories code	Description	Qty
03955000	NP SUPRA T&T mechanism	1
043550001	CHIC T&T hinge Kit + T1 arm (Right) - 445 to 700mm	1
043550002	CHIC T&T hinge Kit + T1 arm (Left) - 445 to 700mm	
03962FFF	NP SUPRA Prima Line	1
039623FFF	NP SUPRA Asia Line	

Additional Accessories (H >1200 W >1000)

04030K	Adjustable Pawl	2
01343K	Striker	2
04770K	Additional closing kit (H >1200 W >1000)	1 / 2
04301K	Additional arm (W >1000)	1
02030K	Friz Limiter arm	1



TILT AND TURN WINDOW CHIC & NP SUPRA (ARM TYPE-2)

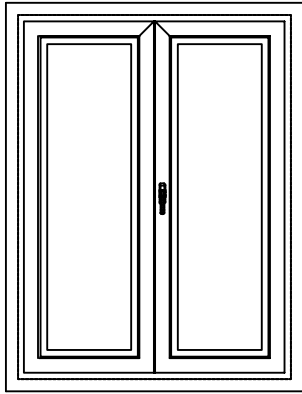
Mandetroy Accessories

Accessories code	Description	Qty
03955000	NP SUPRA T&T mechanism	1
043560001	CHIC T&T hinge Kit + T2 arm (Right) - 445 to 700mm	1
043560002	CHIC T&T hinge Kit + T2 arm (Left) - 445 to 700mm	
03962FFF	NP SUPRA Prima Line	1
039623FFF	NP SUPRA Asia Line	

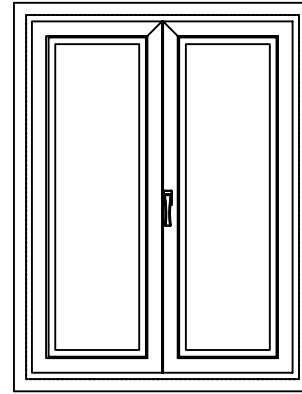
Additional Accessories (H >1200 W >1000)

04030K	Adjustable Pawl	2
01343K	Striker	2
04770K	Additional closing kit (H >1200 W >1000)	1 / 2
04301K	Additional arm (W >1000)	1
02030K	Friz Limiter arm	1

Casement Window Internal Opening - Double Leaf Accessories List Configuration



SIDE HUNG WINDOW INTERNAL OPENING



SIDE HUNG WINDOW INTERNAL OPENING (CONCEALED)

Mandetroy Accessories

Accessories code	Description	Qty
00120U	Flsh base hinge	4
01000U	Euro Cremona	1
02387K	Connection block	1
02114K	Rod Terminal	2
01339K	Double Striker	2
02111K	Giap Bolt	2

Additional Accessories (H >1200 W >1000)

04030K	Adjustable Pawl	4
01343K	Striker	4
04019K	Corner Drive	2

Additional Accessories

00115	3 leaf hinge	4
02030K	Friz Limiter arm	1

Mandetroy Accessories

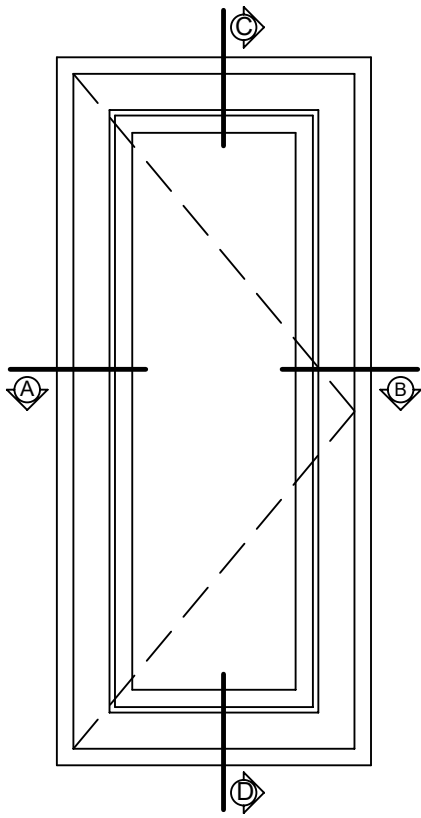
Accessories code	Description	Qty
043540001	CHIC hinge (Right)	1
043540002	CHIC hinge (Left)	1
03962 /03963	Prima / Asia NP Supra Handles	1
03954	NP Mechanism	1
02114K	Rod Terminal	2
01339K	Double Striker	2
02111K	Giap Bolt	2

Additional Accessories (H >1200 W >1000)

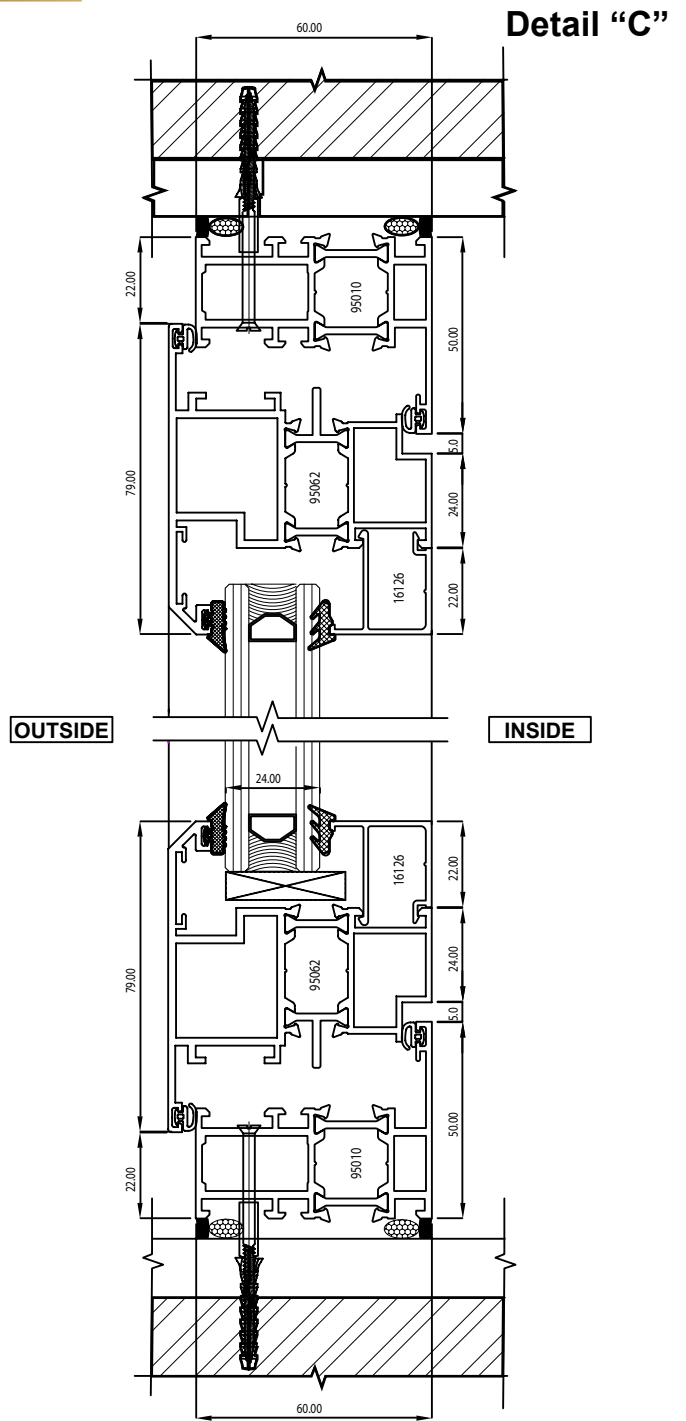
04030K	Adjustable Pawl	4
01343K	Striker	4
04019K	Corner Drive	2

Additional Accessories

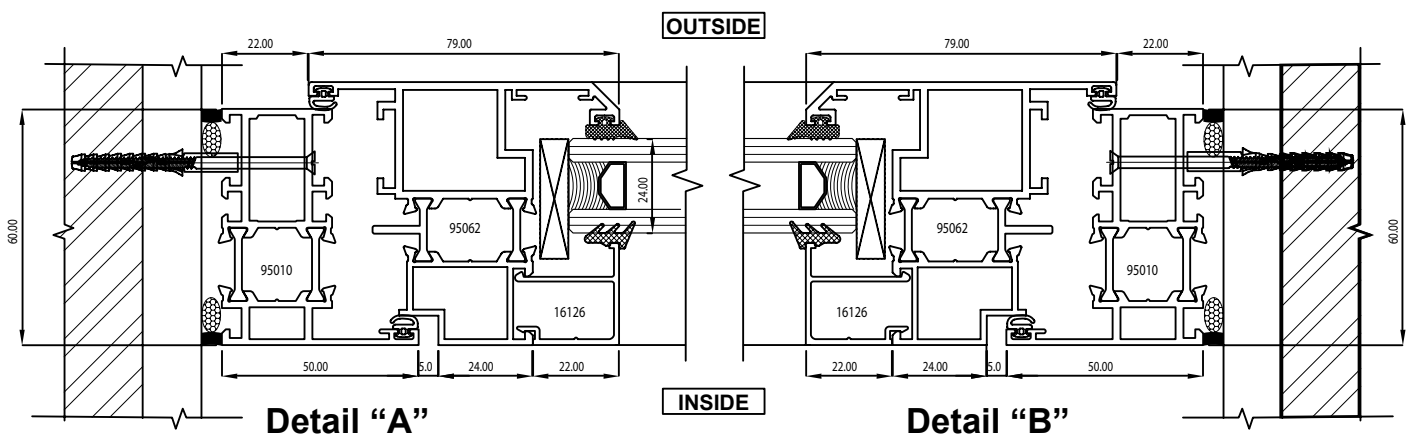
02030K	Friz Limiter arm	1
--------	------------------	---



Single Leaf Hinged Window
Open Out



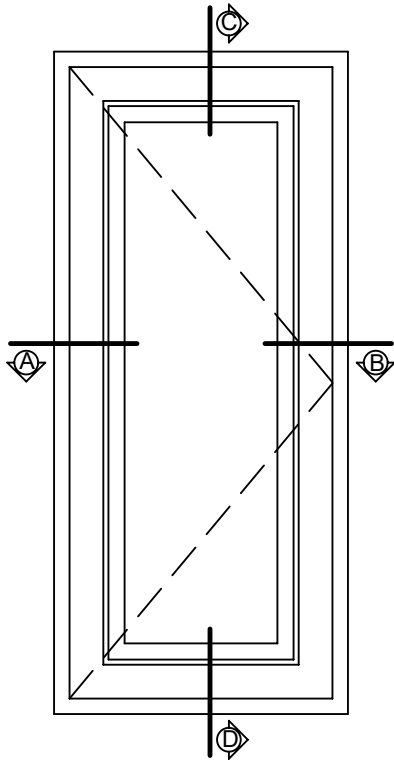
Detail "C"



Detail "D"

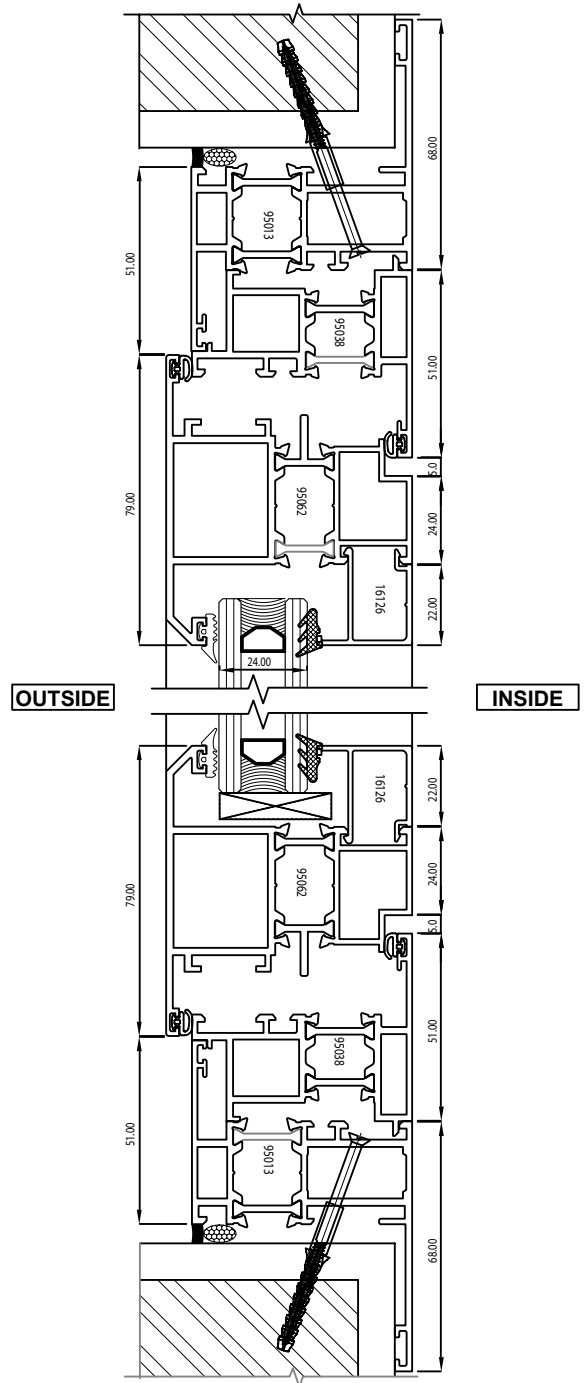
Detail "A"

Detail "B"

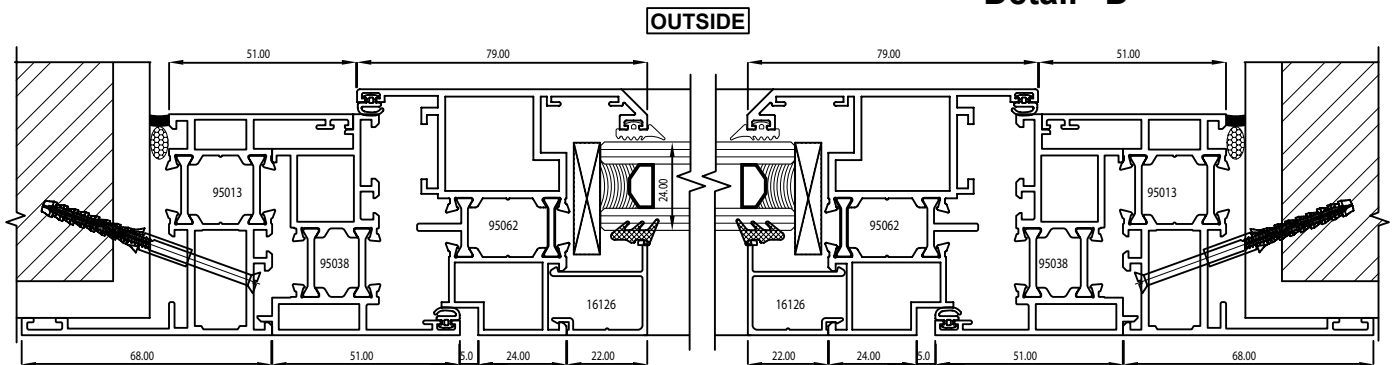


**Single Leaf Hinged Window
Open Out With Architrave**

Detail "C"



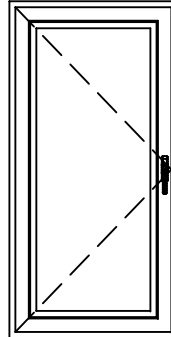
Detail "D"



Detail "A"

Detail "B"

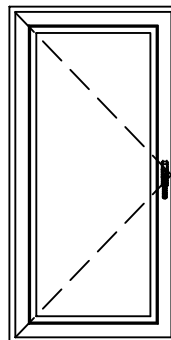
Casement Window External Opening Accessories List Configuration



SIDE HUNG WINDOW EXTERNAL OPENING WITH BRIDGE HINGE

Mandetroy Accessories

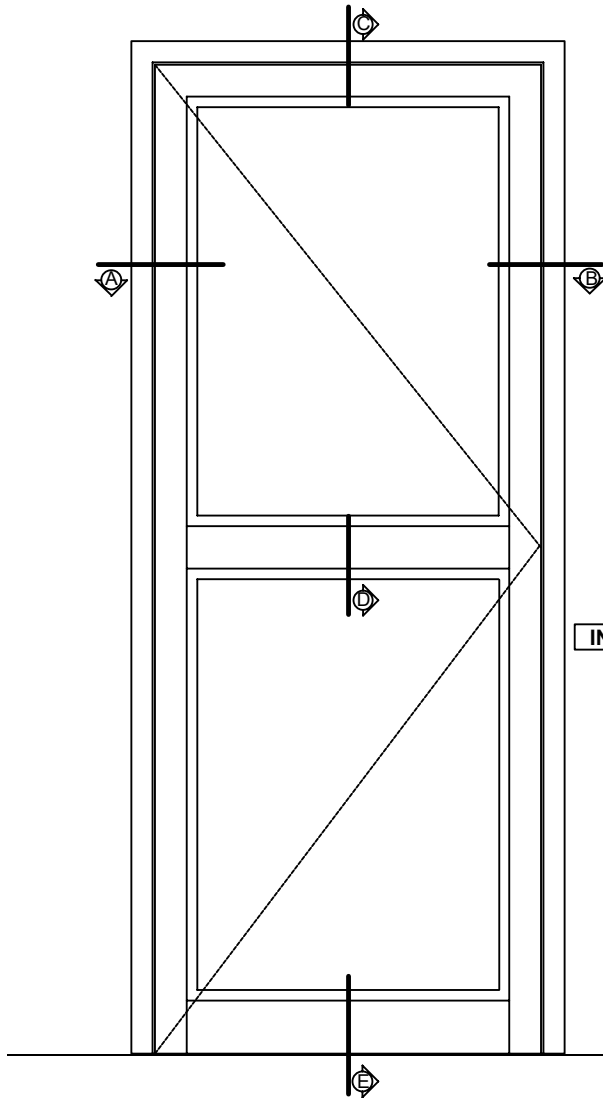
Accessories code	Description	Qty
00600X	Bridge hinge	2
02491	BAS Handle	1
04083	Ghibo Outward opening mechanism	1
04019K	Corner Drive	2
04030K	Adjustable Pawl	4
01343K	Striker	4
02030K	Friz Limiter arm	1



SIDE HUNG WINDOW EXTERNAL OPENING WITH EURO GROOVE ARM

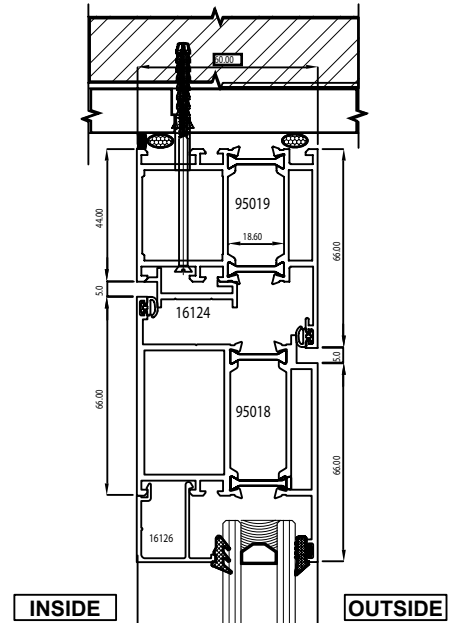
Mandetroy Accessories

Accessories code	Description	Qty
08349	GS HD Type Euro Groove 650 x 1500	1
08350	GS HD Type Euro Groove 700 x 1600	
02491	BAS Handle	1
04083	Ghibo Outward opening mechanism	1
04019K	Corner Drive	2
04030K	Adjustable Pawl	4
01343K	Striker	4
02030K	Friz Limiter arm	1



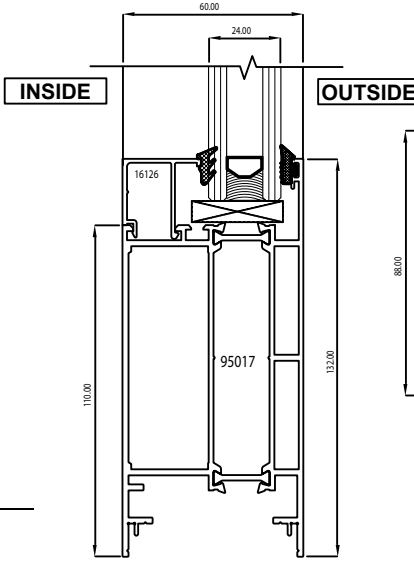
Single Leaf Hinged Door
Open IN

Detail "C"



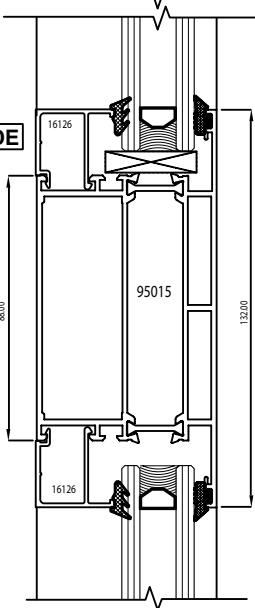
INSIDE

OUTSIDE



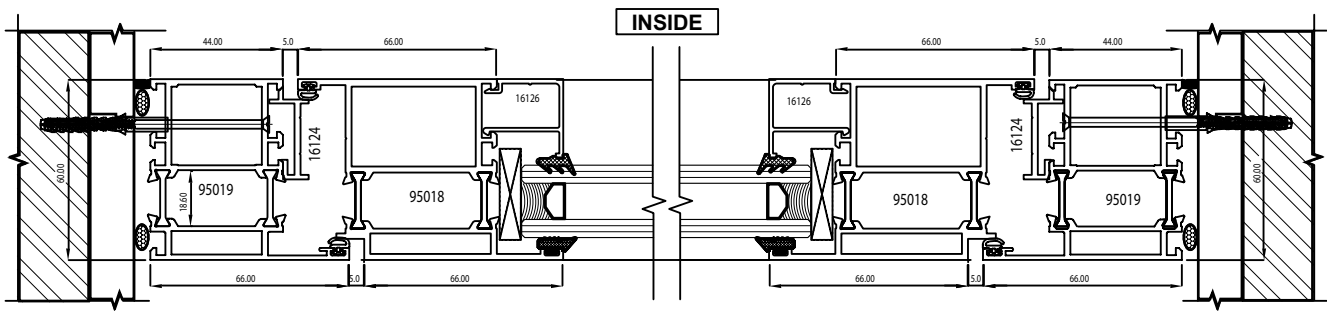
INSIDE

OUTSIDE



Detail "E"

Detail "D"

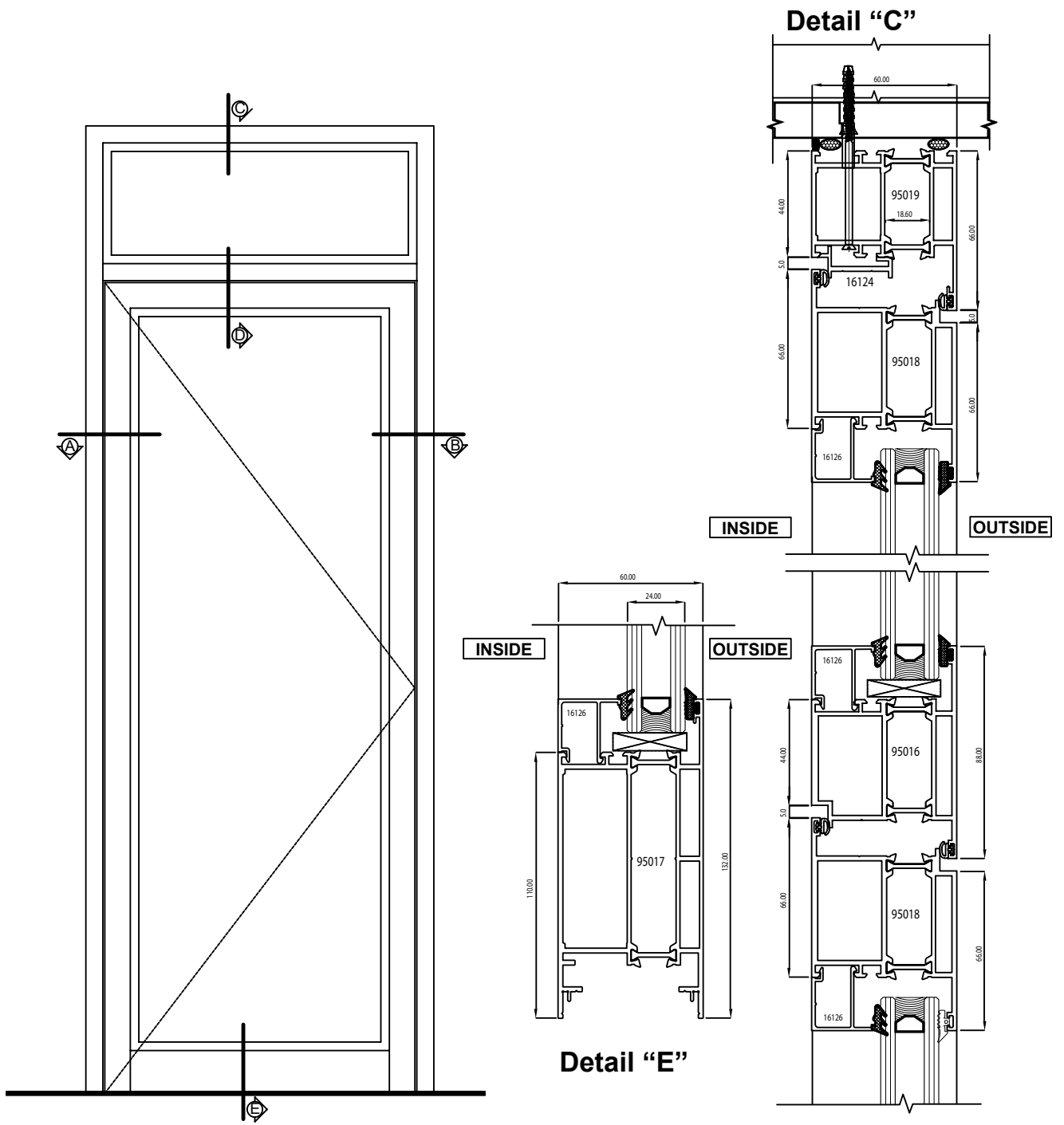


INSIDE

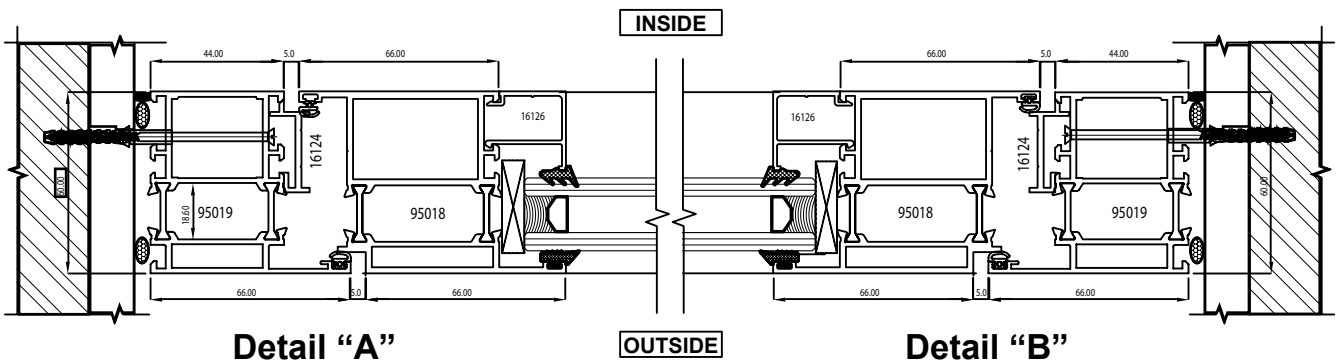
OUTSIDE

Detail "A"

Detail "B"



Single Leaf Hinged Door With Fixed Open IN

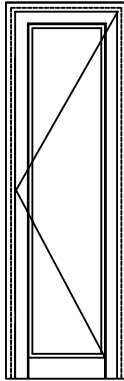


Detail "A"

OUTSIDE

Detail "B"

Single Leaf Internal Opening Door Accessories List Configuration



ELEVATION (Max. 120kg)

Mandetroy Accessories

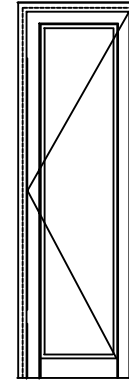
Accessories code	Description	Qty
06168	Domina Classic hinge (Max: W2000 x H4000)	2
02792	Prima Plus Door handle	1
04614	30mm Door lock	1
07685	Cylinder 31 / 51	1
07058N	Cover for Cylinder	1
04859	Counter plate	1

Optional Accessories

02414	Asia Door handle	1
02563	KORA Door handle	1
02422	Master Plus Door handle	1

Hinge Load Capacity

2 Hinge - 120kg
 3 Hinge - 140kg
 3 Hinge with door closer - 120kg
 3 Hinge with door closer with stop hold function - 80kg
 # Please refer SchlegelGiesse team for more details



ELEVATION (Max. 160kg)

Mandetroy Accessories

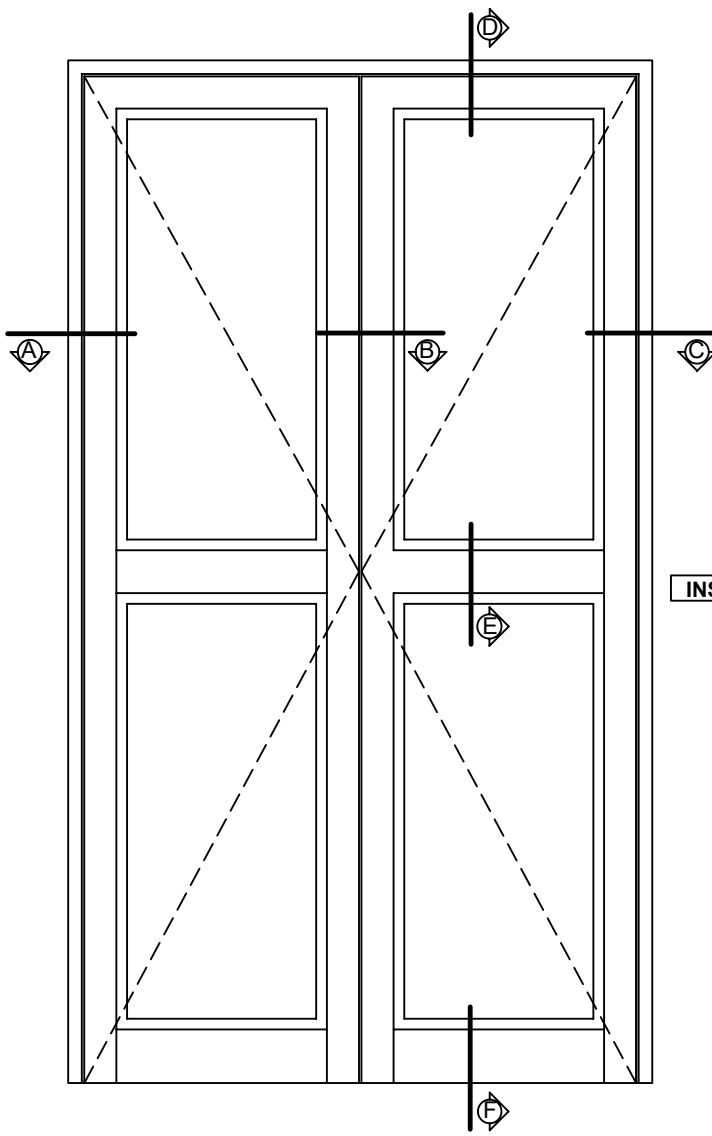
Accessories code	Description	Qty
05160V	Domina HP hinge (Max: W2000 x H4000)	2
0520000001	Counter Plate for Domina HP	2
02792	Prima Plus Door handle	1
04614	30mm Door lock	1
07685	Cylinder 31 / 51	1
07058N	Cover for Cylinder	1
04859	Counter plate	1

Optional Accessories

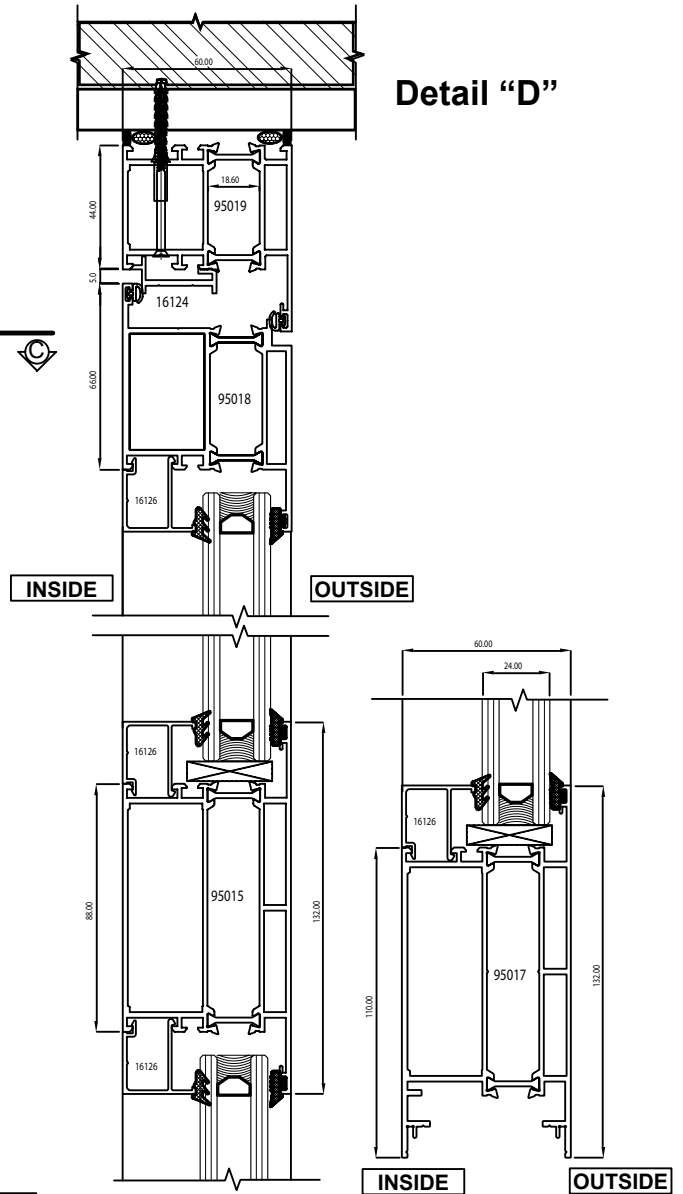
02414	Asia Door handle	1
02563	KORA Door handle	1
02422	Master Plus Door handle	1

Hinge Load Capacity

2 Hinge - 160kg
 3 Hinge - 180kg
 3 Hinge with door closer - 150kg
 3 Hinge with door closer with stop hold function - 105kg
 # Please refer SchlegelGiesse team for more details



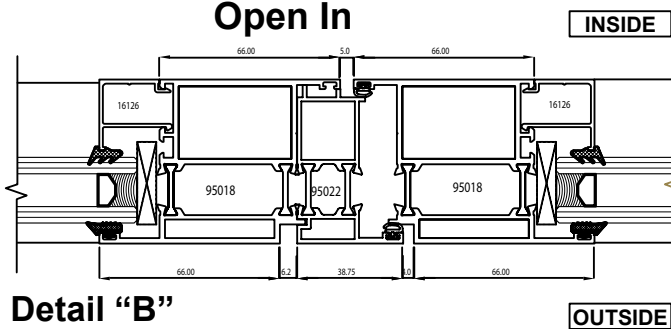
**Double Leaf Hinged Door
Open In**



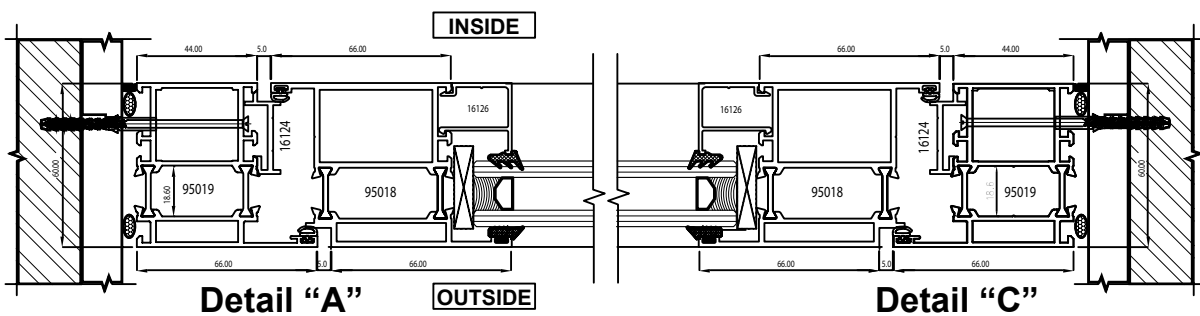
Detail "D"

Detail "E"

Detail "F"



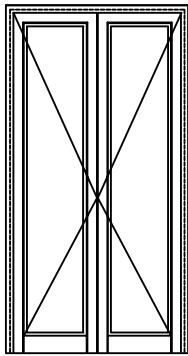
Detail "B"



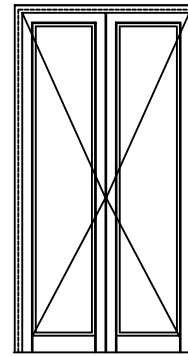
Detail "A"

Detail "C"

Double Leaf Internal Opening Door Accessories List Configuration



ELEVATION (Max. 120kg)



ELEVATION (Max. 160kg)

Mandetroy Accessories

Accessories code	Description	Qty
06168	Domina Classic hinge (Max: W2000 x H4000)	4
02792	Prima Plus Door handle	1
04614	30mm Door lock	1
07685	Cylinder 31 / 51	1
07058N	Cover for Cylinder	1
04859	Counter plate	1
02150	Pesos Bolt	2
02151	Pesos Bolt Cover	2
01325	Bolt Striker	1
02144	Threshold Bush	1

Optional Accessories

02414	Asia Door handle	1
02563	KORA Door handle	1
02422	Master Plus Door handle	1

Hinge Load Capacity

2 Hinge - 120kg
3 Hinge - 140kg
3 Hinge with door closer - 120kg
3 Hinge with door closer with stop hold function - 80kg
Please refer SchlegelGiesse team for more details

Mandetroy Accessories

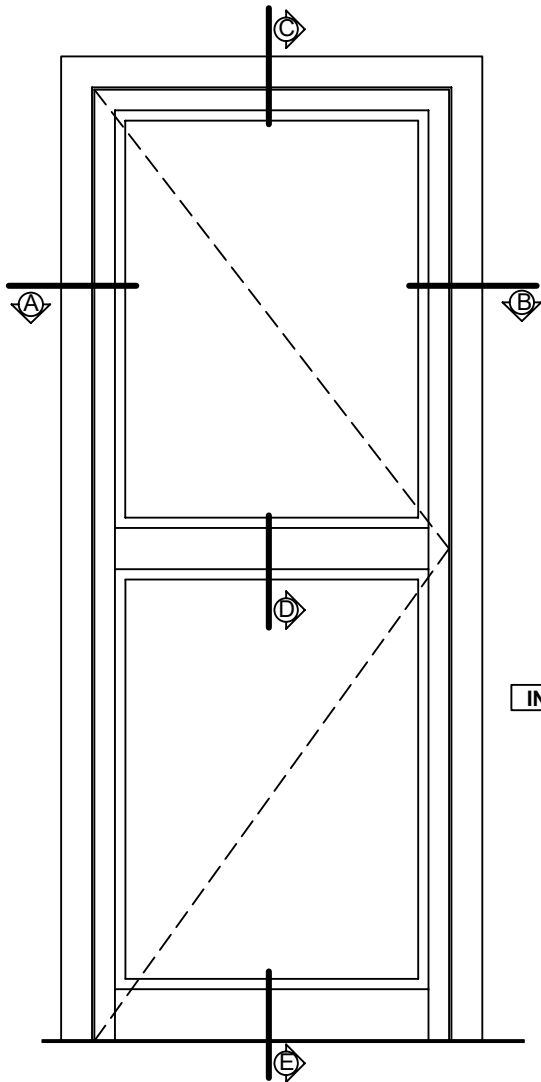
Accessories code	Description	Qty
05160V	Domina HP hinge (Max: W2000 x H4000)	4
0520000001	Counter Plate for Domina HP	4
02792	Prima Plus Door handle	1
04614	30mm Door lock	1
07685	Cylinder 31 / 51	1
07058N	Cover for Cylinder	1
04859	Counter plate	1
02150	Pesos Bolt	2
02151	Pesos Bolt Cover	2
01325	Bolt Striker	1
02144	Threshold Bush	1

Optional Accessories

02414	Asia Door handle	1
02563	KORA Door handle	1
02422	Master Plus Door handle	1

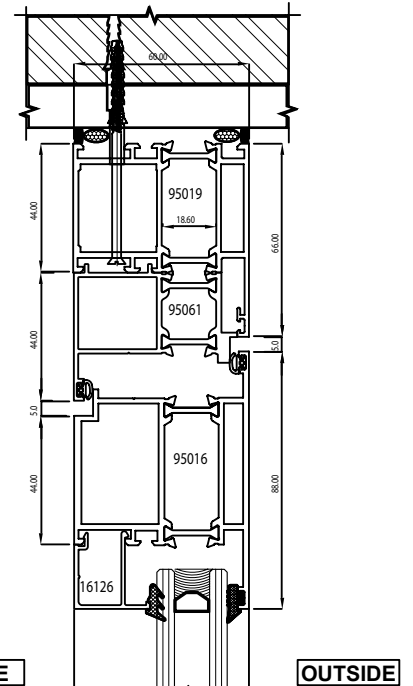
Hinge Load Capacity

2 Hinge - 160kg
3 Hinge - 180kg
3 Hinge with door closer - 150kg
3 Hinge with door closer with stop hold function - 105kg
Please refer SchlegelGiesse team for more details



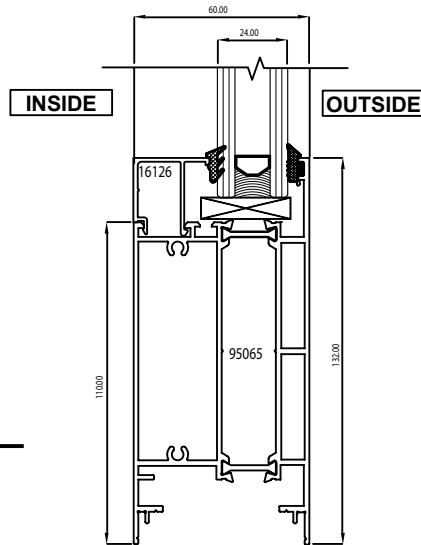
Single Leaf Hinged Door
Open Out

Detail "C"



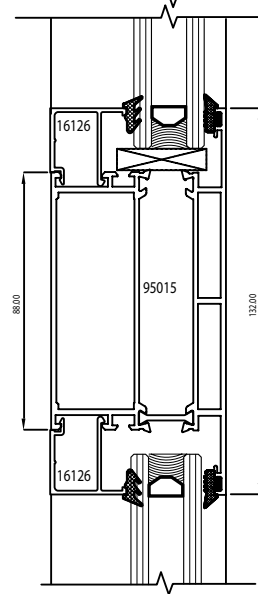
INSIDE

OUTSIDE



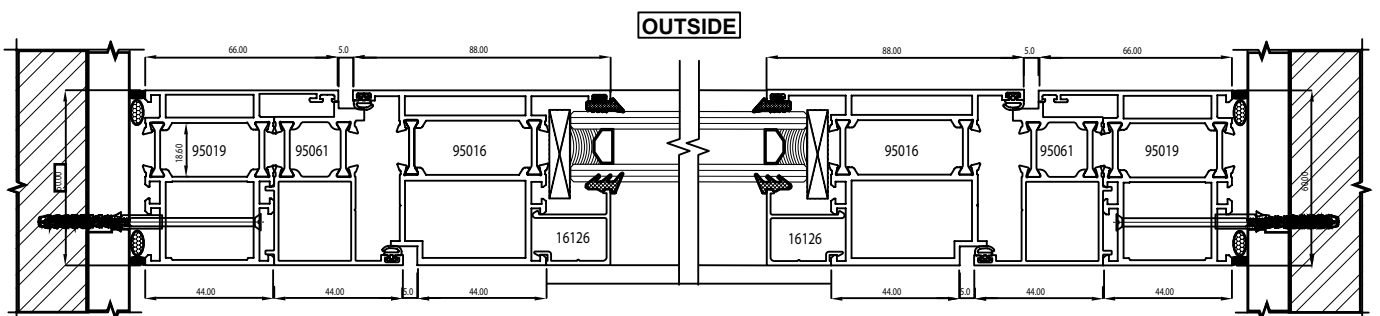
INSIDE

OUTSIDE



Detail "E"

Detail "D"



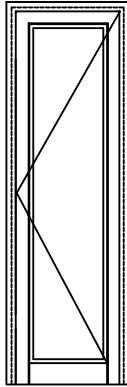
OUTSIDE

INSIDE

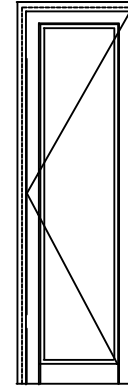
Detail "A"

Detail "B"

Single Leaf External Opening Door Accessories List Configuration



ELEVATION (Max. 100kg)



ELEVATION (Max. 120kg)

Mandetroy Accessories

Accessories code	Description	Qty
06176	Domina Classic hinge (Max: W2000 x H4000)	2
05300	Direct Fixing screw 55mm	8
02792	Prima Plus Door handle	1
04614	30mm Door lock	1
07685	Cylinder 31 / 51	1
07058N	Cover for Cylinder	1
04859	Counter plate	1

Optional Accessories

02414	Asia Door handle	1
02563	KORA Door handle	1
02422	Master Plus Door handle	1

Hinge Load Capacity

2 Hinge - 100kg
3 Hinge - 120kg
3 Hinge with door closer - 100kg
3 Hinge with door closer with stop hold function - 70kg
Please refer SchlegelGiesse team for more details

Mandetroy Accessories

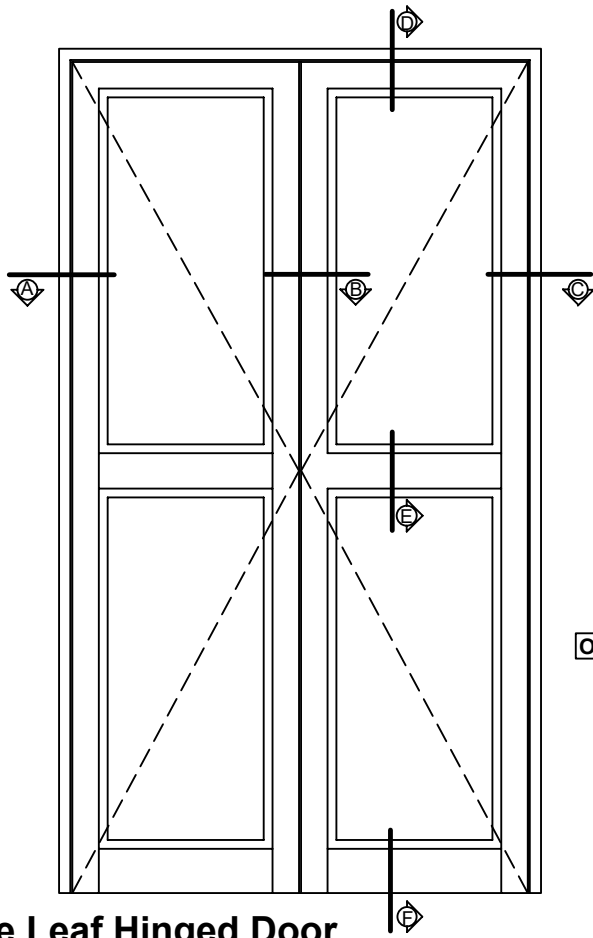
Accessories code	Description	Qty
05166V	Domina HP hinge (Max: W2000 x H4000)	2
05300	Direct Fixing screw 55mm	8
02792	Prima Plus Door handle	1
04614	30mm Door lock	1
07685	Cylinder 31 / 51	1
07058N	Cover for Cylinder	1
04859	Counter plate	1

Optional Accessories

02414	Asia Door handle	1
02563	KORA Door handle	1
02422	Master Plus Door handle	1

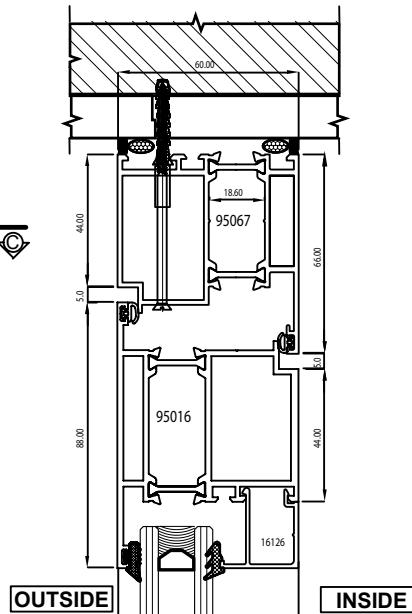
Hinge Load Capacity

2 Hinge - 120kg
3 Hinge - 140kg
3 Hinge with door closer - 120kg
3 Hinge with door closer with stop hold function - 80kg
Please refer SchlegelGiesse team for more details



**Double Leaf Hinged Door
Open Out**

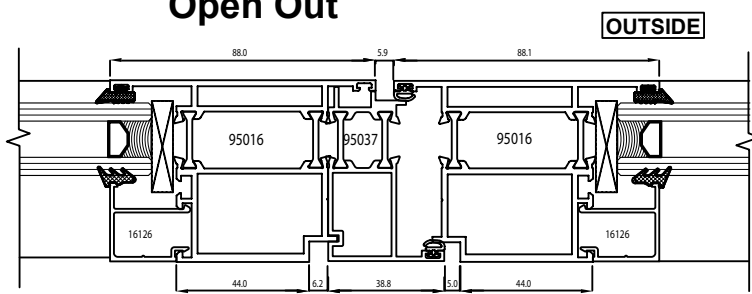
Detail "D"



OUTSIDE

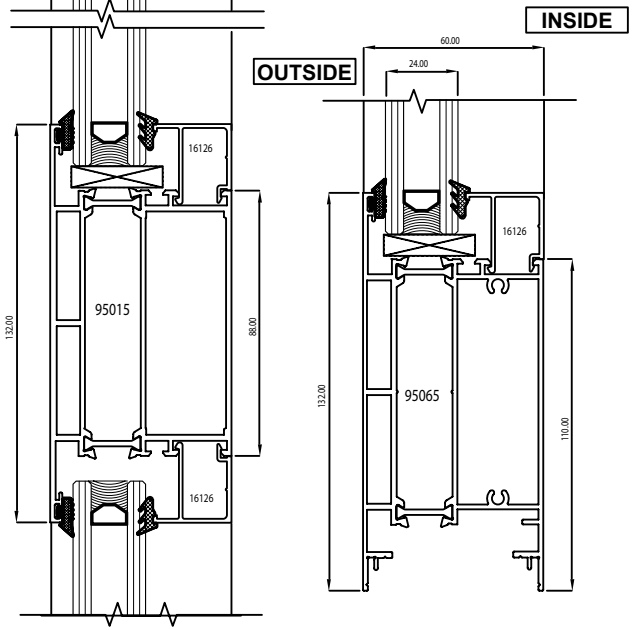
INSIDE

INSIDE



OUTSIDE

INSIDE

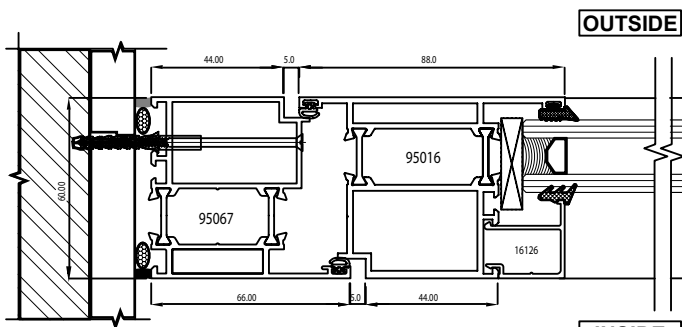


OUTSIDE

INSIDE

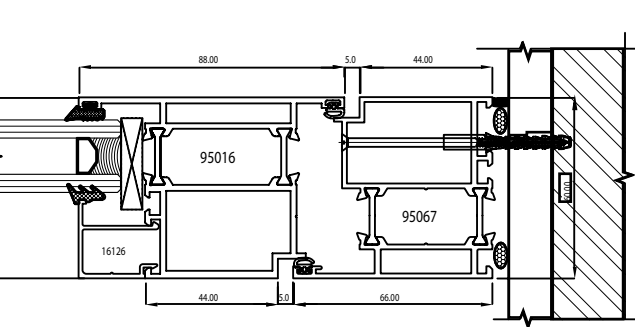
Detail "E"

Detail "F"



OUTSIDE

INSIDE

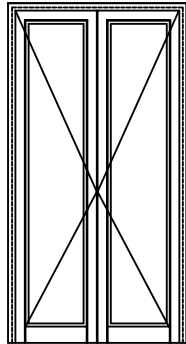


INSIDE

Detail "C"

Detail "A"

Double Leaf External Opening Door Accessories List Configuration



ELEVATION (Max. 100kg)

Mandetroy Accessories

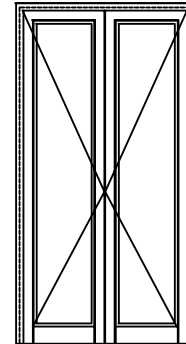
Accessories code	Description	Qty
06176	Domina Classic hinge (Max: W2000 x H4000)	4
05300	Direct Fixing screw 55mm	16
02792	Prima Plus Door handle	1
04614	30mm Door lock	1
07685	Cylinder 31 / 51	1
07058N	Cover for Cylinder	1
04859	Counter plate	1
02150	Pesos Bolt	2
02151	Pesos Bolt Cover	2
01325	Bolt Striker	1
02144	Threshold Bush	1

Optional Accessories

02414	Asia Door handle	1
02563	KORA Door handle	1
02422	Master Plus Door handle	1

Hinge Load Capacity

2 Hinge - 100kg
3 Hinge - 120kg
3 Hinge with door closer - 100kg
3 Hinge with door closer with stop hold function - 70kg
Please refer SchlegelGiesse team for more details



ELEVATION (Max. 120kg)

Mandetroy Accessories

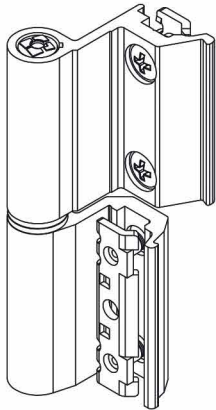
Accessories code	Description	Qty
05166V	Domina HP hinge (Max: W2000 x H4000)	4
05300	Direct Fixing screw 55mm	16
02792	Prima Plus Door handle	1
04614	30mm Door lock	1
07685	Cylinder 31 / 51	1
07058N	Cover for Cylinder	1
04859	Counter plate	1
02150	Pesos Bolt	2
02151	Pesos Bolt Cover	2
01325	Bolt Striker	1
02144	Threshold Bush	1

Optional Accessories

02414	Asia Door handle	1
02563	KORA Door handle	1
02422	Master Plus Door handle	1

Hinge Load Capacity

2 Hinge - 120kg
3 Hinge - 140kg
3 Hinge with door closer - 120kg
3 Hinge with door closer with stop hold function - 80kg
Please refer SchlegelGiesse team for more details



FLASH BASE HINGE

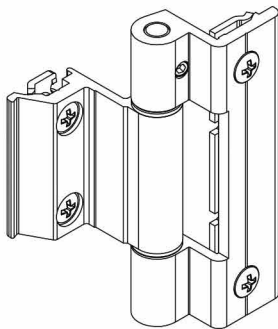
00120U

Functions

Reversible-hinge for aluminum casement window and door fixtures with central gasket seal. Has the same reliability and precision requirements as conventional GIESSE hinges and can be fitted very quickly to the window, even when it is already assembled.

Capacities

With 2 Flash Base Hinges: 75 KG
 With 3 Flash Base Hinges: 85 KG
 Assuming Fixtures of 2000mm Height and 1000mm Width



BRIDGE 2 HINGE

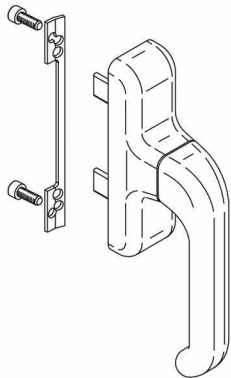
00600N

Functions

Clamp hinge for lightweight windows and door fixtures made with channel profile.

Capacities

90 KG with 2 hinges
 100 KG with 3 hinges

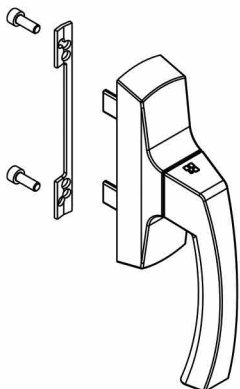


EURO CREMONE

01000U

Functions

Reversible cremone handle for central gasket systems, with 90° rotation and opening / closing positioning notch.



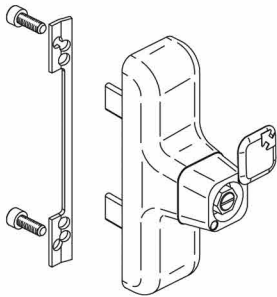
ASIA CREMONE FOR SASH

01076

Functions

Reversible cremone for operation GIESSE Sash mechanisms.

Giesse Accessories Have Been Incorporated and Tested In NAPCO Systems Can Be Warranted Only Using The Accessories Listed In This Official Catalogue

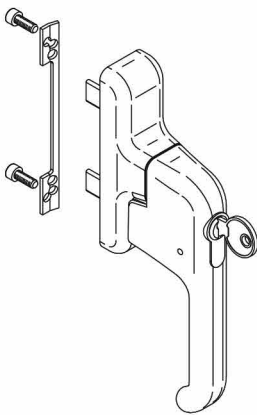


EURO AWAY CREMONE

01001

Functions

Reversible cremone handle for central gasket systems, with rotation 90° and opening / closing positioning notch. Allows the operation of doors and windows and removal of the handle for security reasons.

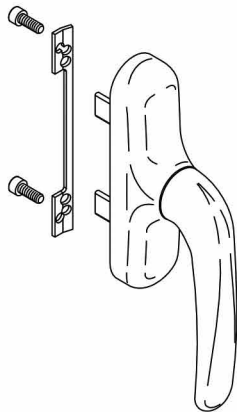


EURO KEY CREMONE

01002

Functions

Reversible cremone with key lockable handle, produced for central gasket systems, with 90° rotation and opening / closing positioning notch.

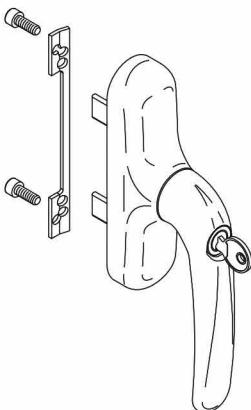


PRIMA CREMONE

01024U

Functions

Reversible cremone handle for central gasket systems, with 90° handle rotation and opening / closing positioning notch.



PRIMA KEY CREMONE

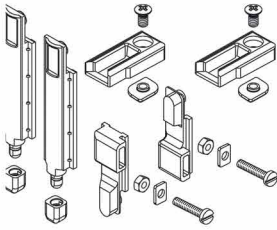
01012

Functions

Reversible cremone with key lockable handle, produced for central gasket systems, with 90° rotation opening / closing positioning notch. Maintains the functional characteristics of the EURO cremone handle with a different styling line.

KIT FOR INTERNAL OPENING

02270

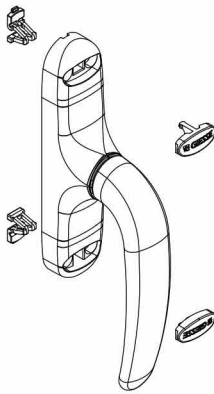


Functions

Connection kit and fastening mechanism for sash, to be combined with EURO (art. 01000) and NOVA (art. 01004) cremone handles

UNICA SYSTEM CREMONE

01150001

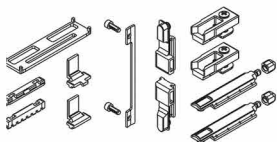


Functions

Cremone with no internal components.
Depending on need, it can be transformed into a Cremone for inward opening, outward opening casement or tilt & turn by using the specific kits (also supplied complete with the lock points).

KIT FOR INWARD OPENING UNICA SYSTEM

04070

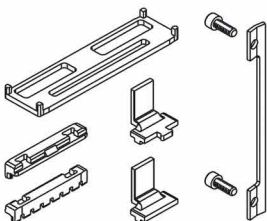


Functions

Kit to combine with UNICA (art. 01150) and UNICA KEY (art. 01151) cremone handles.
Composed of all the necessary components to make the sash fastening mechanism.

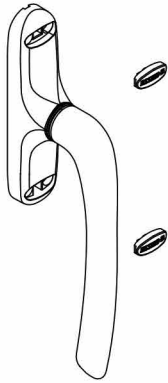
KIT FOR INWARD OPENING UNICA SYSTEM

04080



Functions

Kit to combine with UNICA (art. 01150) and UNICA KEY (art. 01151) cremone handles. Specifically designed for inward opening.

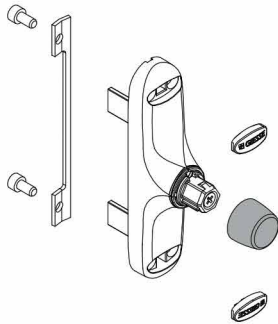


UNICA SYSTEM CREMONE WITH 172mm HANDLE

01125001

Functions

Cremone with no internal components.
Depending on need, it can be transformed into a Cremone for inward opening, outward opening casement or tilt-and-turn by using the specific kits (also supplied complete with the lock points).

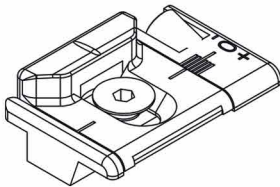


UNICA INWARD-OPENING CREMONE-AWAY

01138

Functions

Reversible cremone handle, with removable pull handle supplied separately, for operating the Giese mechanisms.
Ideal for hospitals, schools and all other locations in which operation of the casements is not to be left to the discretion of the end user.

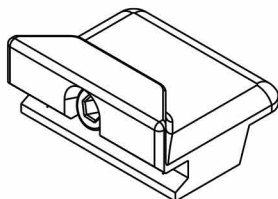


FUTURA ADJUSTABLE STRIKER

01353K

Functions

Striker specifically designed for use with fixed (art. 04027K) or adjustable (art.04030K) fastener pawl



STRIKER FOR ADJUSTABLE FASTENER PAWL

01343K

Functions

Striker specifically designed for use with adjustable fastener pawl (art. 04030K)

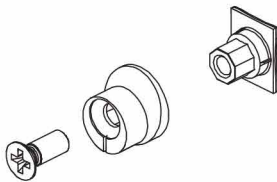


FUTURA FIXED PAWL

04027K

Functions

Fixed pawl, to be combined with the adjustable striker, required to create supplementary locking points in addition to those already supplied with the basic mechanism.

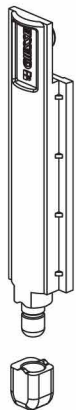


ADJUSTABLE LOCKING PAWL

04030K

Functions

Closing element to be fitted directly on the rods in the series



FUTURA TERMINAL FOR RODS

02114K

Functions

Polyamide terminal for rods with pin for fixing sashes to the frame cross-beams



GIAP BOLT

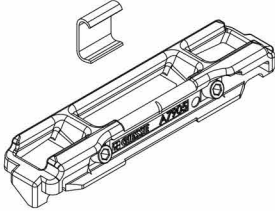
02111K

Functions

Polyamide bolt composed of an actuator and terminal with pin for direct fixing to the floor. Ideal for side-hung windows in aluminum with central gasket.

FUTURA ZAMAK DOUBLE STRIKER

01349K

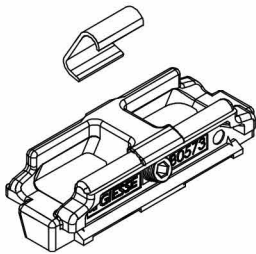


Functions

Component produced for application to the top and bottom part of the frame of fixtures with one or more sashes, having the function of accommodating GIESSE bolt tips and terminals, or appropriately machined operating rods (prepared on Giesse automatic machines).

FUTURA SINGLE STRIKER

01348K

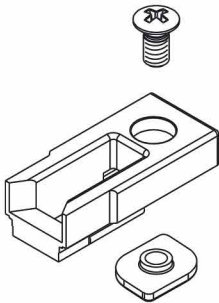


Functions

Component produced for application to the top and bottom part of the frame of fixtures with one or more sashes, having the function of accommodating GIESSE bolt tips and terminals, or appropriately machined operating rods.

3RD FASTENING MECHANISM AND DOUBLE STRIKER

01322K

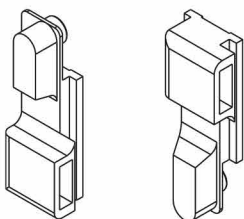


Functions

Component produced for application to the top and bottom part of the frame of fixtures with one or more sashes, having the function of accommodating GIESSE bolt tips and terminals, or appropriately machined operating rods.

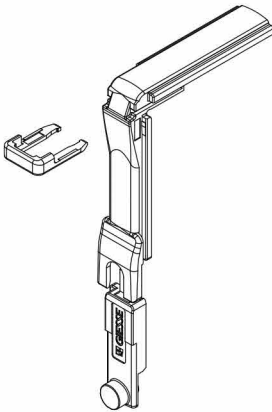
CONNECTING BLOCK

02387K



Functions

Polyamide reversible components for the connection between the cremones and the rods of the profile of a central gasket aluminium sash window.

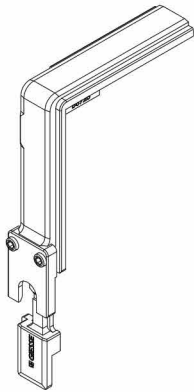


CORNER DRIVE GROOVE 15/20 FUTURA

04019K

Functions

Component for moving the hardware from the cremone side to the upper and/or lower crossbeam.



FUTURA CORNER DRIVE

04020K

Functions

Corner drive allowing the transfer of the movement from the upright to the cross-beam of the fixture and vice versa.

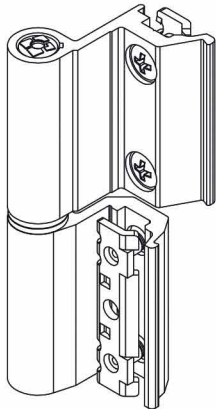


FRIZ STAY LIMITATION ARM

02030K

Functions

Accessory utilised to limit opening of the sash when movement of the sash is restricted by obstacles such as uprights or walls.



FLASH BASE HINGE

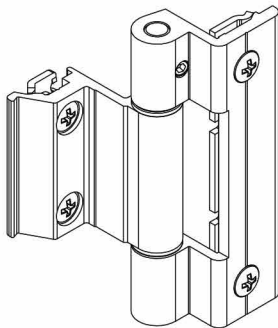
00120U

Functions

Reversible-hinge for aluminium casement window and door fixtures with central gasket seal. Has the same reliability and precision requirements as conventional GIESSE hinges and can be fitted very quickly to the window, even when it is already assembled.

Capacities

With 2 FLASH BASE hinges: 75 kg
With 3 FLASH BASE hinges: 85 kg
assuming fixtures of 2000 mm height and 1000 mm width.



BRIDGE 2 HINGE

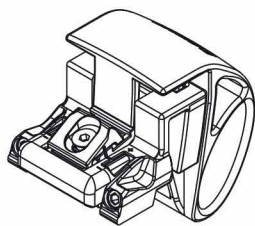
00600N

Functions

Clamp hinge for lightweight windows and door fixtures made with channel profile.

Capacities

90 kg with 2 hinges
100 kg with 3 hinges

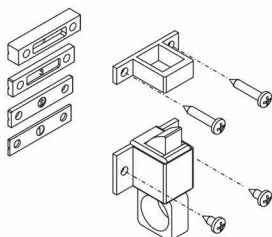


TWIN CATCH

01704

Functions

Device for closing bottom-hung windows for front mounting, it requires no machining on the profile.



GRISBI CATCH

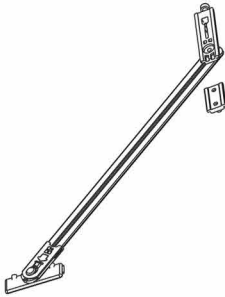
01701N

Functions

Fastening mechanism of bottom-hung windows for external application, made of extruded aluminium with polyamide internal guide.

FRIZ STAY LIMITATION ARM

02030K

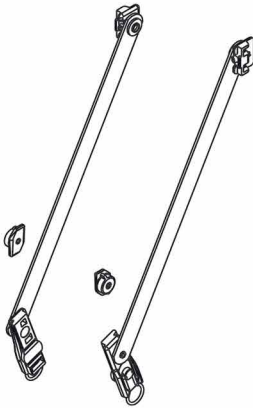


Functions

Accessory utilised to limit opening of the sash when movement of the sash is restricted by obstacles such as uprights or walls.

BOTTOM-HUNG WINDOWS RALLENTY LONG ARM

02040K

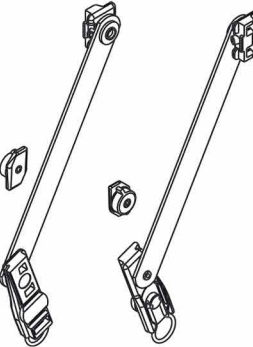


Functions

The arm delimits the opening of a bottom-hung aluminium window slowing its stroke in the stopping phase. Long type arm (250 mm), for bottom-hung window with standard height.

RALLENTY SHORT ARM

02041K

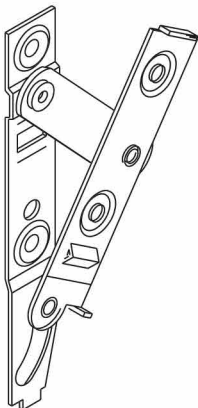


Functions

The arm delimits the opening of a bottom-hung aluminium window slowing its stroke in the stopping phase. Short type arm (150 mm), for bottom-hung window with standard height.

HINGE FOR BOTTOM HUNG WINDOW

02051

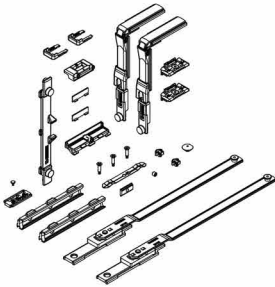


Functions

Hinge for bottom-hung windows, fast assembly and secure fixing. Enables opening a bottom-hung window without any hinges being exposed to view.

FUTURA HORIZONTAL SECURITY SASH MECHANISM

01175K



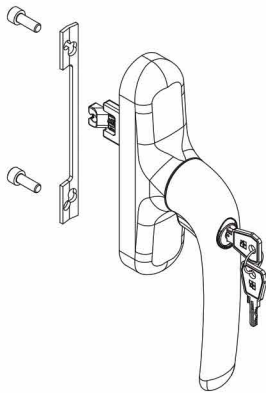
Functions

Hardware kit for making two different types of casement:

- Side-hung security sash (with cremone at 0° sash closed, at 90° partly open and at 180° fully open) with the arms positioned on the beams;
- Heavy bottom-hung window with load capacity up to 250 kg and perimetral closing.

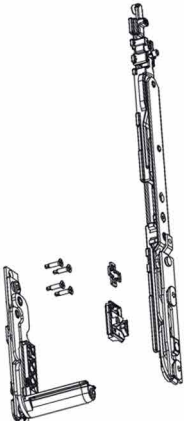
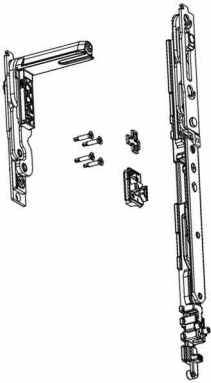
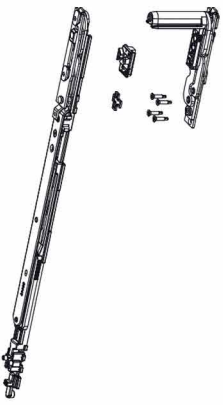

PRIMA KEY CAPTURE CREMONE

01192



Functions

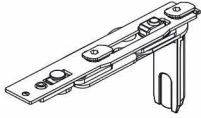
Reversible cremone handle, with key lockable pull handle, with 90° rotation (side-hung window) or 90° and 180° (tilt-and-turn window) and opening/closing positioning notch.

	<p>CHIC - T1 ARM T&T KIT</p> <p>Functions Set of hinges (top and bottom), completely pre-assembled and ready to be installed on the profile.</p> <p>Capacities Up to 100 kg.</p>	<p>043551</p>
	<p>CHIC - T1 ARM T&T KIT</p> <p>Functions Set of hinges (top and bottom), completely pre-assembled and ready to be installed on the profile.</p> <p>Capacities Up to 100 kg.</p>	<p>043552</p>
	<p>CHIC - T2 ARM T&T KIT</p> <p>Functions Set of hinges (top and bottom), completely pre-assembled and ready to be installed on the profile.</p> <p>Capacities Up to 100 kg.</p>	<p>043561</p>
	<p>CHIC - T2 ARM T&T KIT</p> <p>Functions Set of hinges (top and bottom), completely pre-assembled and ready to be installed on the profile.</p> <p>Capacities Up to 100 kg.</p>	<p>043562</p>

Giesse Accessories Have Been Incorporated and Tested In NAPCO Systems Can Be Warranted Only Using The Accessories Listed In This Official Catalogue

CHIC 150 - SASH HINGE SET

043641

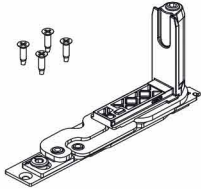


Functions

Set of hinges (top and bottom) for side-hung or secondary sash with tilt-and-turn CHIC 3D 150.

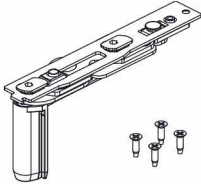
Capacities

Up to 150 kg.



CHIC 150 - SASH HINGE LEFT

043642

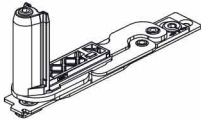


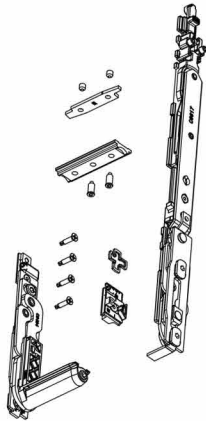
Functions

Set of hinges (top and bottom) for side-hung or secondary sash with tilt-and-turn CHIC 3D 150.

Capacities

Up to 150 kg.





CHIC 150 - T1 RIGHT ARM T&T KIT

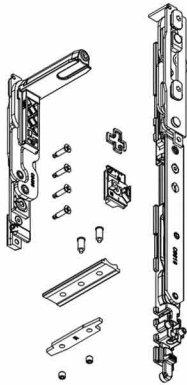
043651

Functions

Set of hinges (top and bottom), completely pre-assembled and ready to be installed on the profile.

Capacities

Up to 150 kg.



CHIC 150 - T1 LEFT ARM T&T KIT

043652

Functions

Set of hinges (top and bottom), completely pre-assembled and ready to be installed on the profile.

Capacities

Up to 150 kg.



CHIC 150 - T2 ARM T&T KIT

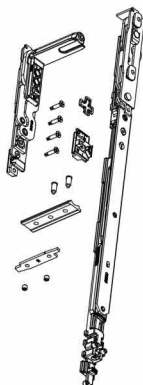
043661

Functions

Set of hinges (top and bottom), completely pre-assembled and ready to be installed on the profile.

Capacities

Up to 150 kg.



CHIC 150 - T2 ARM T&T KIT

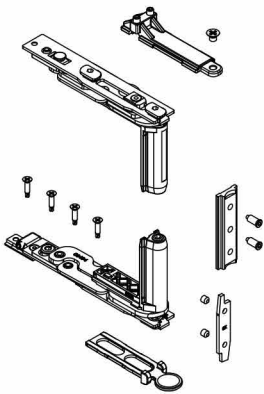
043662

Functions

Set of hinges (top and bottom), completely pre-assembled and ready to be installed on the profile.

Capacities

Up to 150 kg.



CHIC 150 - SASH HINGE SET

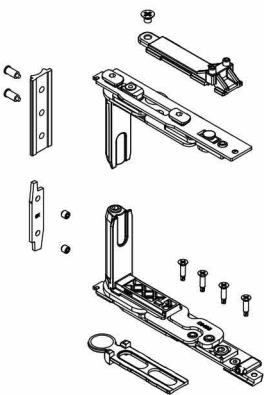
043641

Functions

Set of hinges (top and bottom) for side-hung or secondary sash with tilt-and-turn CHIC 3D 150.

Capacities

Up to 150 kg.



CHIC 150 - SASH HINGE LEFT

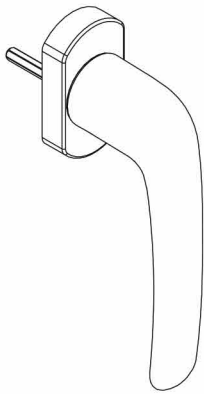
043642

Functions

Set of hinges (top and bottom) for side-hung or secondary sash with tilt-and-turn CHIC 3D 150.

Capacities

Up to 150 kg.

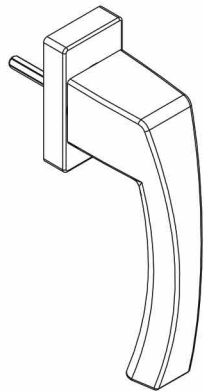


NP SUPRA - PRIMA WINDOW HANDLE

03962

Functions

Reversible window handle for operating Sash and Tilt-and-Turn NP SUPRA window handles.

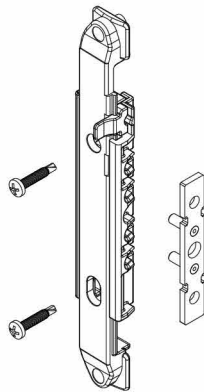


NP SUPRA - ASIA WINDOW HANDLE

03963

Functions

Reversible window handle for operating Sash and Tilt-and-Turn NP SUPRA window handles.

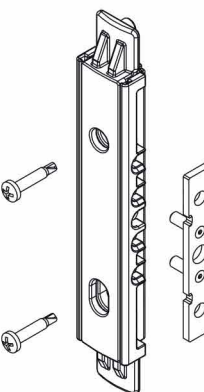


NP SUPRA - T&T HARDWARE

0395301

Functions

One-way window handle, can be operated with the NP SUPRA window handle, for operating Tiltand-Turn fastening window handles.



NP SUPRA - SASH HARDWARE

03954

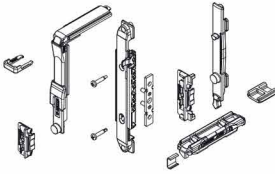
Functions

Two-way window handle, can be operated with the NP SUPRA window handle, for operating Sash fastening window handles.

Giese Accessories Have Been Incorporated and Tested In NAPCO Systems Can Be Warranted Only Using The Accessories Listed In This Official Catalogue

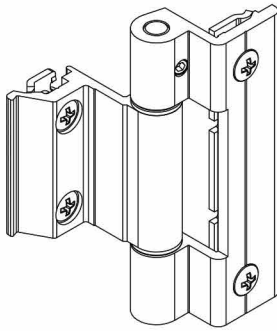
NP SUPRA - T&T MECHANISM

0395501



Functions

Tilt-and-turn window fastening mechanisms for NP SUPRA window handle, available in Base and Logica versions.

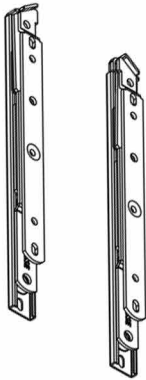


BRIDGE 2 HINGE

00600N

Functions

Clamp hinge for lightweight windows and door fixtures made with channel profile.



GS HD ARM-TS HUNG 10''-TYPE EGR.

08349

Functions

Pair of arms (RH and LH) suitable for Top and Side Hung outward opening aluminium windows. The arms are fitted extremely quickly to the window, even when it is already assembled.



GS HD ARM-TS HUNG 16''-TYPE EGR.

08350

Functions

Pair of arms (RH/LH) for outward opening (side hung) or top hung aluminium windows. The arms are fitted extremely quickly to the window, even when it is already assembled.



GS HD ARM-TOP HUNG 22''-TYPE EGR.

08351

Functions

Pair of arms (RH/LH) for outward opening (side hung) or top hung aluminium windows. The arms are fitted extremely quickly to the window, even when it is already assembled.

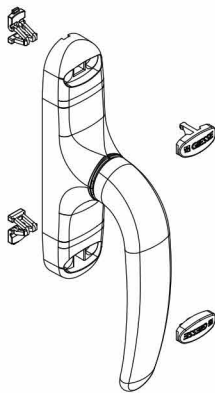


GS HD ARM-TOP HUNG 28"-TYPE EGR.

08352

Functions

Pair of arms (RH/LH) for outward opening (side hung) or top hung aluminium windows. The arms are fitted extremely quickly to the window, even when it is already assembled.

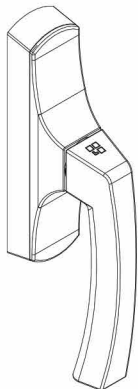


UNICA SYSTEM CREMONE

01150001

Functions

Cremona with no internal components. Depending on need, it can be transformed into a Cremona for inward opening, outward opening casement or tilt-and-turn by using the specific kits (also supplied complete with the lock points).

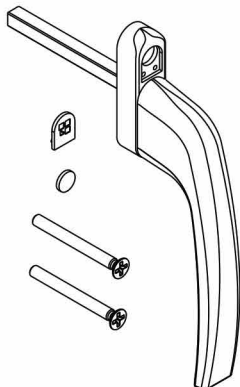


ASIA OUTWARD 0-180° CREMONE

01063

Functions

Cremona with no internal components. Depending on need, it can be transformed into a Cremona for inward opening, outward opening casement or tilt-and-turn by using the specific kits (also supplied complete with the lock points).



BAS WINDOW HANDLE

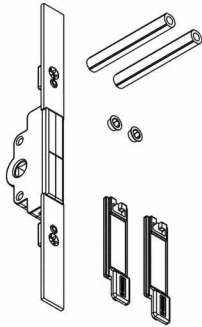
02491

Functions

The Bas window handle is ideal for operating mechanisms with rotors designed to be actuated by a 7 mm square pin, such as the Champion Plus multilock or the M90 or M180 internal mechanisms.

GHIBO OUT BS 27 ONE-WAY MECHANISM

04083

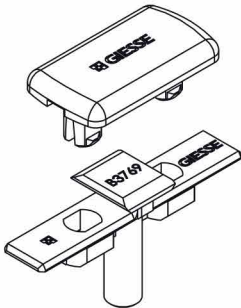


Functions

The one-way Ghibo out internal mechanism is housed in the hollow section of the profile and, via a window handle, moves the rods and locking points of outward-opening side-hung windows.

ROD PULL DEVICE

04099001

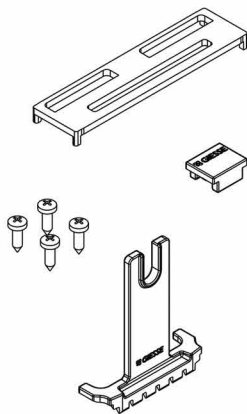


Functions

Component for connecting Unica one-way cremones with the rods of an aluminium window profile.

KIT FOR OUTWARD OPENING UNICA SYSTEM

02410

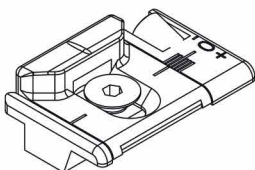


Functions

Components that, added to the Unica Cremone without internal components, enable converting them into the finished product.

FUTURA ADJUSTABLE STRIKER

01353K

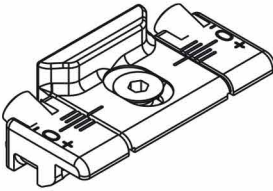


Functions

Striker specifically designed for use with fixed (art. 04027K) or adjustable (art.04030K) fastener pawl

FUTURA ADJUSTABLE SINGLE STRIKER

01347K

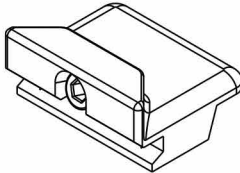


Functions

Component operating in combination with connecting elements, pawl located in the rod terminal, connection blocks, rod, rod transmission as locking point.

STRIKER FOR ADJUSTABLE FASTENER PAWL

01343K



Functions

Striker specifically designed for use with adjustable fastener pawl (art. 04030K)

FUTURA FIXED PAWL

04027K



Functions

Fixed pawl, to be combined with the adjustable striker, required to create supplementary locking points in addition to those already supplied with the basic mechanism.

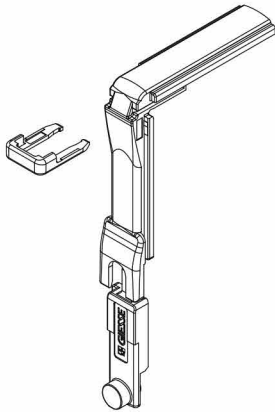
ADJUSTABLE LOCKING PAWL

04030K



Functions

Closing element to be fitted directly on the rods in the series

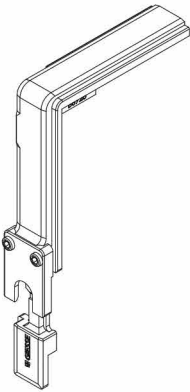


CORNER DRIVE GROOVE 15/20 FUTURA

04019K

Functions

Component for moving the hardware from the cremone side to the upper and/or lower crossbeam.



FUTURA CORNER DRIVE

04020K

Functions

Corner drive allowing the transfer of the movement from the upright to the cross-beam of the fixture and vice versa.



LASER TELESCOPIC UNIT

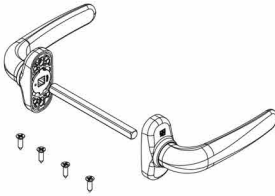
01954

Functions

Mechanism to use to construct top-hung windows. Allows opening of windows in 5 different positions.

PRIMA PLUS HANDLE

02792

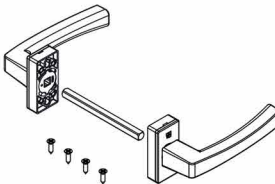


Functions

Double aluminium handle reversible with stop, for fitting on the upright or centre rail of the door.

ASIA DOOR HANDLES

02414

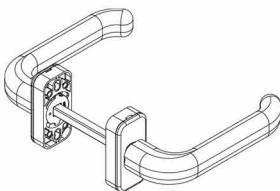


Functions

Pair of aluminium handles, reversible with stop, for fitting on the upright or centre rail of the door.

MASTER PLUS HANDLE

02422

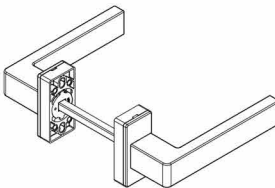


Functions

Pair of aluminium handles, reversible with stop, for fitting on the upright or centre rail of the door.

KORA DOOR HANDLE

02563

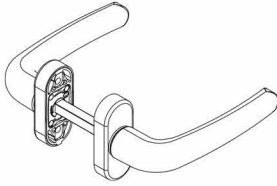


Functions

Pair of aluminium handles, reversible with stop, for fitting on the upright or centre rail of the door.

QUICK-FIT PRIMA HANDLE

02424N

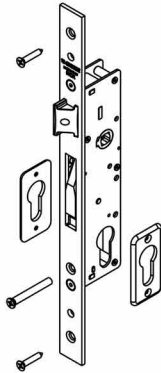


Functions

Pair of handles, with quick-fit fixing system, for fitting on the upright or centre rail.

SPRING LATCH AND BOLT LOCK

0461401

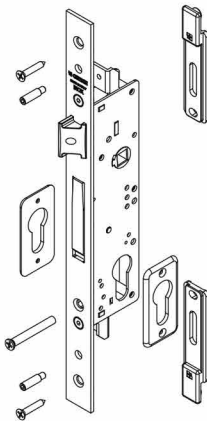


Functions

Central lock with front closing, slip-on version for aluminium uprights, with adjustable spring latch and tilting bolt.

LOCK FOR DOORS

0462701

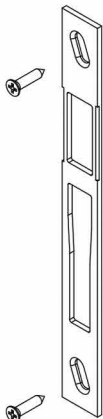


Functions

Central lock, slip-on version for aluminium stiles, with adjustable spring latch and tilting bolt, ready for rod connection for top/bottom fastening mechanism.

COUNTERPLATE W/ FLAT FRONT

04859

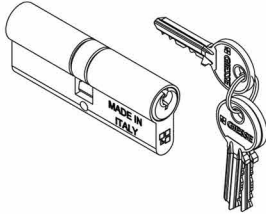


Functions

Counterplates to be combined with the central locks and multipoint locks per doors.

EUROPEAN PROFILE CYLINDER

07685

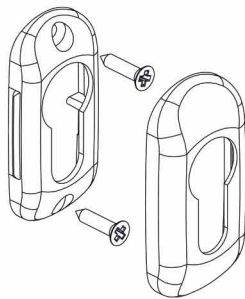


Functions

Double cylinder with European profile.

OVAL ROSETTE FOR MACHINED CYLINDER

07058N

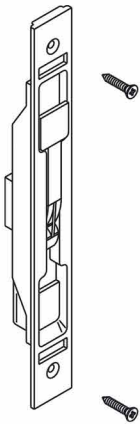


Functions

Cylinder cover plate for European profile cylinder.

PESOS LEVER BOLT FOR DOORS

02150

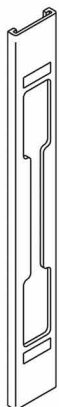


Functions

High strong lever bolt designed to be used even with new high performing door systems.

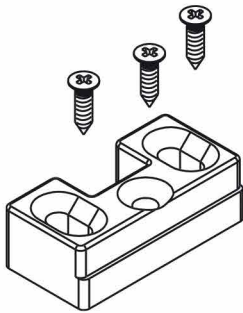
FRONT COVER FOR PESOS

02151



Functions

Extruded aluminium part to be pop in Pesos bolt (art. 02150).

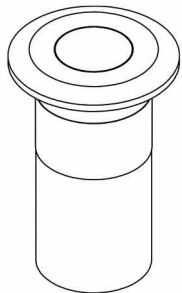


PESOS-SUPERGIAP RODS STRIKER

0132501

Functions

Striker for PESOS and SUPERGIAP bolts for door channel.



THRESHOLD BUSH WITH SHUTTER

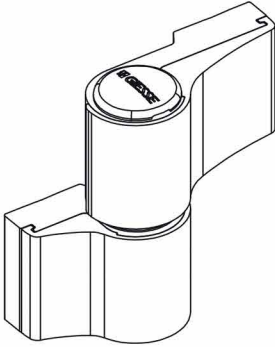
02144

Functions

Floor bush, for doors or windows without counter-frame, where it is necessary to use the threshold as a counter-frame

DOMINA HP - 2 LEAF

05160V

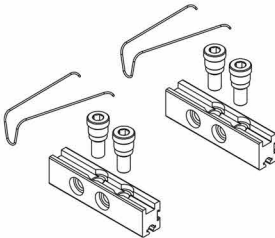


Functions

2 leaves frontal application hinge (heavy duty door) 3D adjustable (Giesse patent).

COUNTERPLATE KIT, DOMINA 2 LEAF

0520001

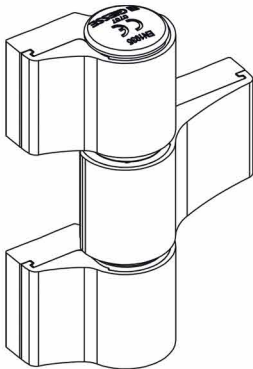


Functions

Tubular counterplate for fixing Domina HP door hinge.

DOMINA HP - 3 LEAF

05161V

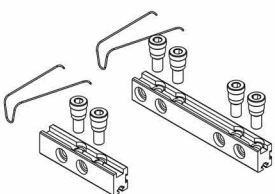


Functions

3 leaves frontal application hinge (heavy duty door) 3D adjustable (Giesse patent).

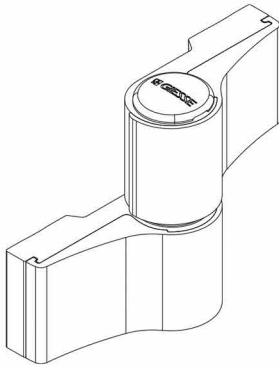
COUNTERPLATE KIT, DOMINA 3 LEAF

0520101



Functions

Tubular counterplate for fixing Domina HP door hinge.

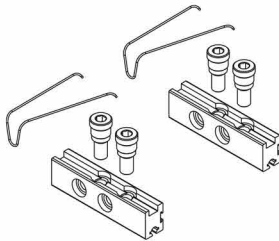


DOMINA HP - 2 LEAF

05166V

Functions

2 leaves frontal application hinge (heavy duty door) 3D adjustable (Giesse patent).

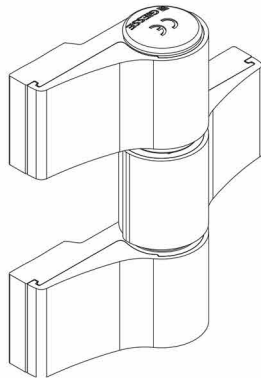


COUNTERPLATE KIT, DOMINA 2 LEAF

0520001

Functions

Tubular counterplate for fixing Domina HP door hinge.

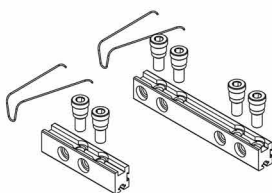


DOMINA HP - 3 LEAF

05167V

Functions

3 leaves frontal application hinge (heavy duty door) 3D adjustable (Giesse patent).



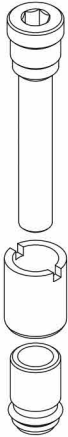
COUNTERPLATE KIT, DOMINA 3 LEAF

0520101

Functions

Tubular counterplate for fixing Domina HP door hinge.

Giesse Accessories Have Been Incorporated and Tested In NAPCO Systems Can Be Warranted Only Using The Accessories Listed In This Official Catalogue



DOMINA HINGE SPACER

0324001

Functions

Telescopic spacers for assembly of DOMINA HP, DOMINA HP COVER and DOMINA CLASSIC hinges in combination with counterplate kit, for fixing to thermal break profiles with outward opening.

DIRECT FIXING SCREW

05300



Functions

M12 screw for direct fixing of DOMINA HP, DOMINA HP COVER and DOMINA CLASSIC hinges to thermal break profiles.





**NATIONAL ALUMINIUM
PRODUCTS COMPANY SAOG**

OMAN

Corporate Office and Factory
National Aluminum Products Co.
PO Box 15, Rusayl, PC 124, Sultanate of Oman
Phone: +968 24446450, Fax: +968-24446453
Email: sales@napco.co.om, info@napco.co.om

UAE

National Aluminum Products Co. - Branch Office
PO Box 116912, Dubai,
Office 34, Shuraa Business Center
6C Al Abraj St, Business Bay, 29th floor-Prime Tower-Dubai
Phone: +971 045236200

INDIA

NAPCO Extrusions India LLP
4 , Odyssey IT Park,
Road No. 9, Wagle Industrial Estate,
Thane (West) - 400604.
Phone: +91 2220814444

www.napcooman.com