



NATIONAL ALUMINIUM
PRODUCTS COMPANY SAOG

Curtain Wall N-50



01-2020-V.02

All rights reserved.

No part of this publication may be reproduced, stored in a retrieval system or transmitted in any form or by any means electronic, mechanical, photocopying, recording or otherwise, without prior permission of NAPCO.



HIS MAJESTY SULTAN QABOOS BIN SAID



Index

Company Profile	05
Technical Information	06
Curtain Wall	09
Cross-Sections	60
Skylight System	76
Curtain Wall Top Hung	83
IRCCOS S.R.L Certificate	86
Accessories List	88
Profile Index	94



About Us

National Aluminium Products Company SAOG (NAPCO) was established in 1984 and is one of the leading extruders of aluminium profiles in the GCC market. Located in the Sultanate of Oman, the manufacturing plant is spread over 65,000 sq meters in the Rusayl Industrial estate.

NAPCO offers a wide range of Aluminium profile extrusions in finishes that suit functional modern design specifications. The company has left its mark on the architectural landscape of the Middle East with its renowned quality products being used in a number of prominent structures.

Our annual production capacity is 42,000 MT with four (4) state of the art presses. The extrusion presses are complemented by one anodizing line and two powder coating lines (vertical & horizontal). NAPCO also houses two wood finish lines and a crimping and bending facility.

NAPCO's commitment to quality has made it the first extrusion company in the Gulf to receive ISO certifications. We are also the only public limited aluminium extrusion company in the entire GCC.

With a consistent focus on innovative production skills and high service standards, we will continue our objective to meet customer demands and expectations.

Technical Information on Aluminium extrusions supplied by NAPCO

A. Equipment & Capacity

Extrusion Press: 4

2000 MT (8') SMS Germany

2800 MT (9') Danieli Breda, Italy

1800 MT (7') Tecalex, Spain

1800 MT (7') Tecalex, Spain

Powder Coating Plant: 2

Horizontal Type, Ercon, UK

Vertical Type, Trasmetal, Italy

Anodizing Line: 1

SAS, Germany

Wood Finish: 2 NATURALL, Italy.

Crimping & Bending Facility.

• Current Capacity Per Annum

Extrusion: 42,000

Powder Coating: 27,000

Anodizing: 2,400

Wood Finish: 1,500

B. General Specification

Max profile size CCD 305mm

(*indicative size)

C. Product Range

NAPCO offers a range of over 6000 profiles to suit the architectural and manufacturing industry. NAPCO also develops exclusive dies for customers against their own designs.

• Aluminium extrusions in:

Mill Finish

Anodized

Powder Coated and Natural Wood Finish

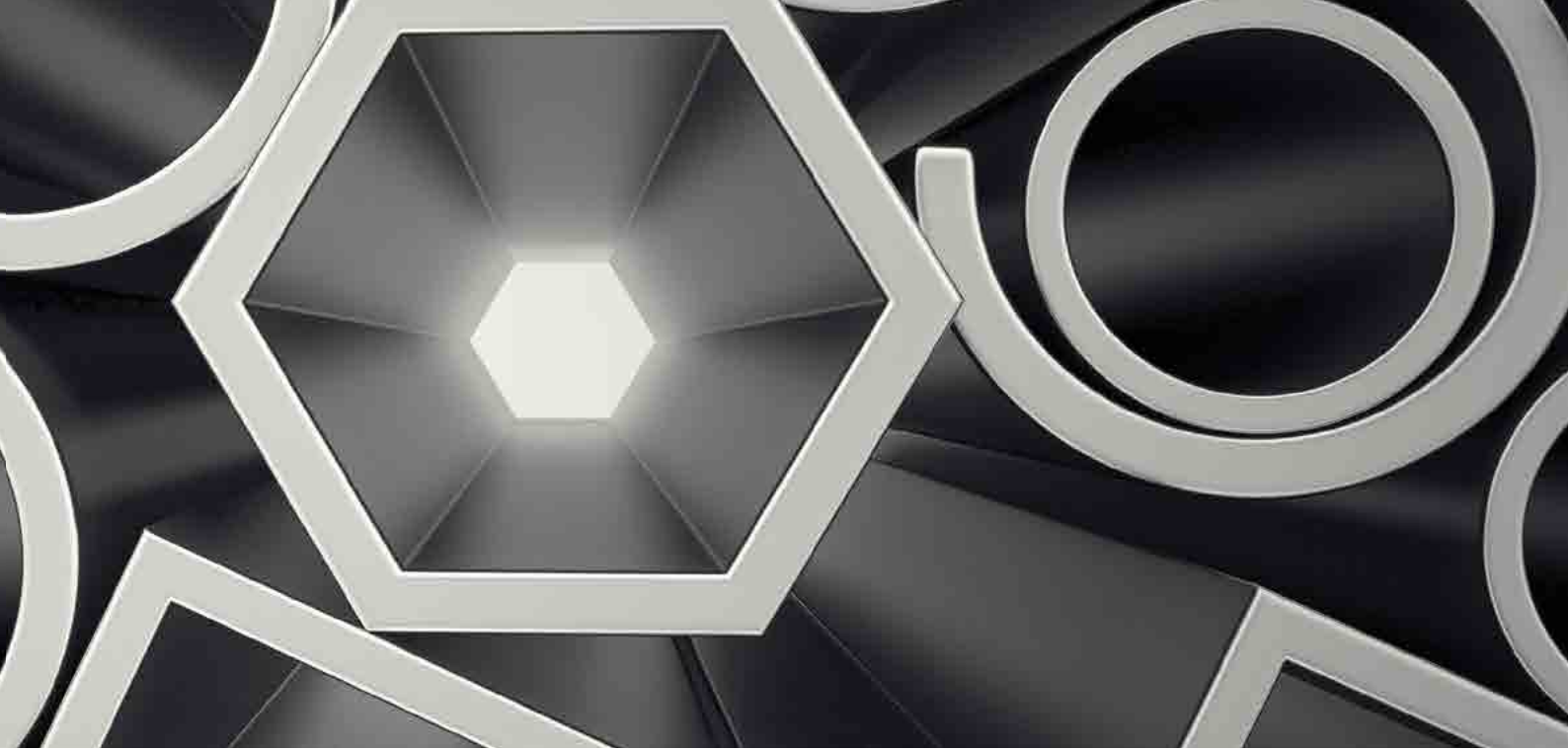
• Façade Systems:

NAPCO is in partnership with world renowned façade system houses in the GCC. Please contact us to discuss your best-fit solution.

D. Anodizing

NAPCO has one anodizing line employing sulphuric acid anodizing process offering a wide range of colour shades such as Silver, Bronze and Black with scope of development of other shades to suit customer requirements.

Specifications: DC Sulphuric Acid Anodizin
As per EN 1 - 12373 and BS 1991 3987
Qualanod Approved



E: Powder Coating

NAPCO has two powder coating lines (horizontal & Vertical) with IR curing ovens. The colour coat thickness in exposed areas is Around 80-60 microns. The new vertical line is able to accommodate profile lengths up to 8 meters.

Qualicoat Approved.

Natural finish is available in seven combinations of Wood patterns.

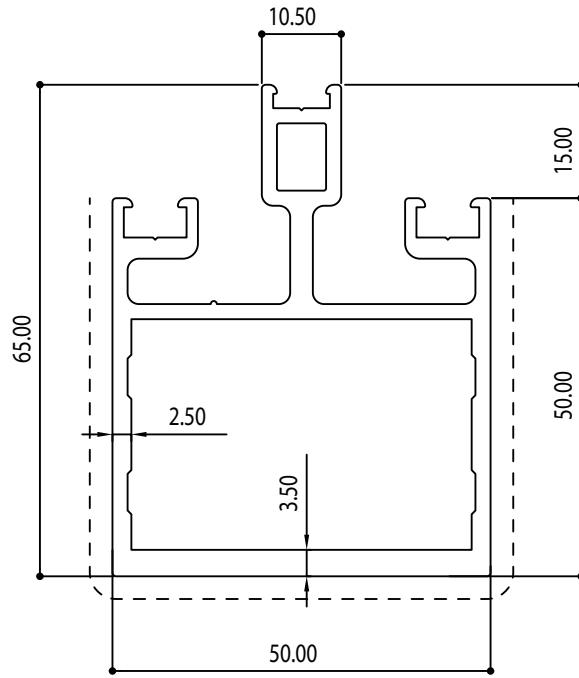
Specification: As per 6496

F. Certifications

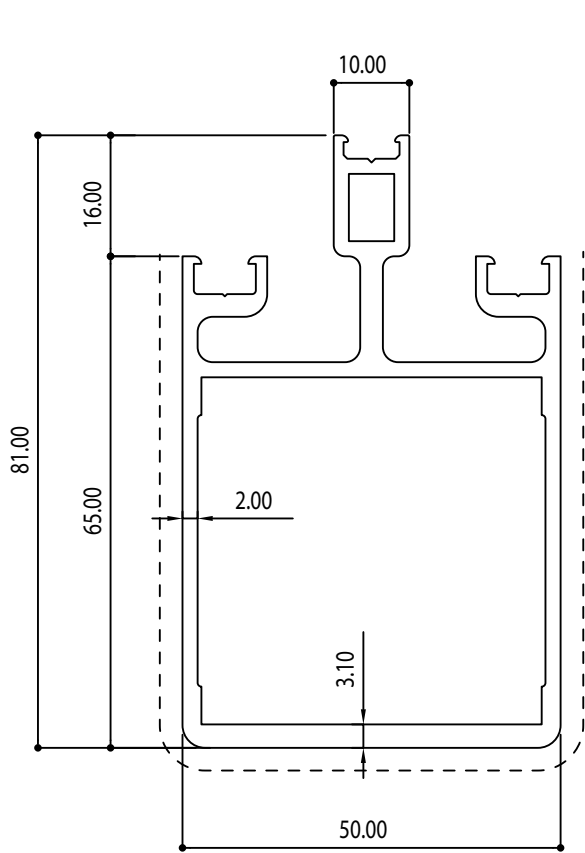


Curtain Wall

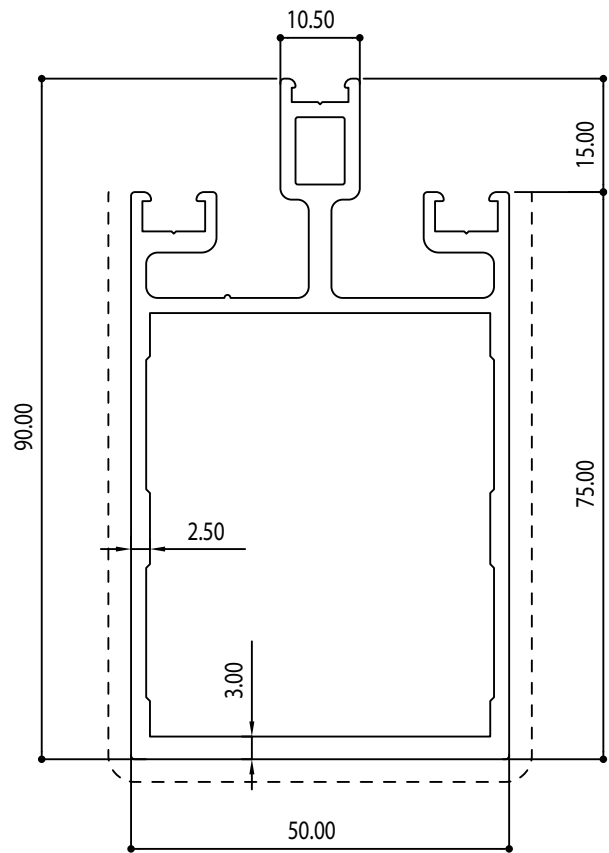




70039
(1.802 Kg/m)

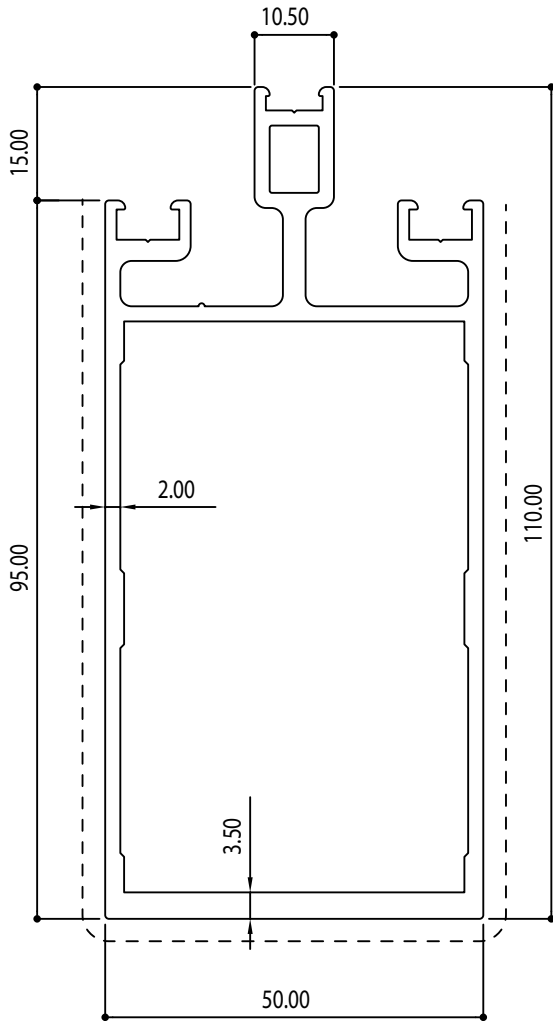


21691
(1.882 Kg/m)

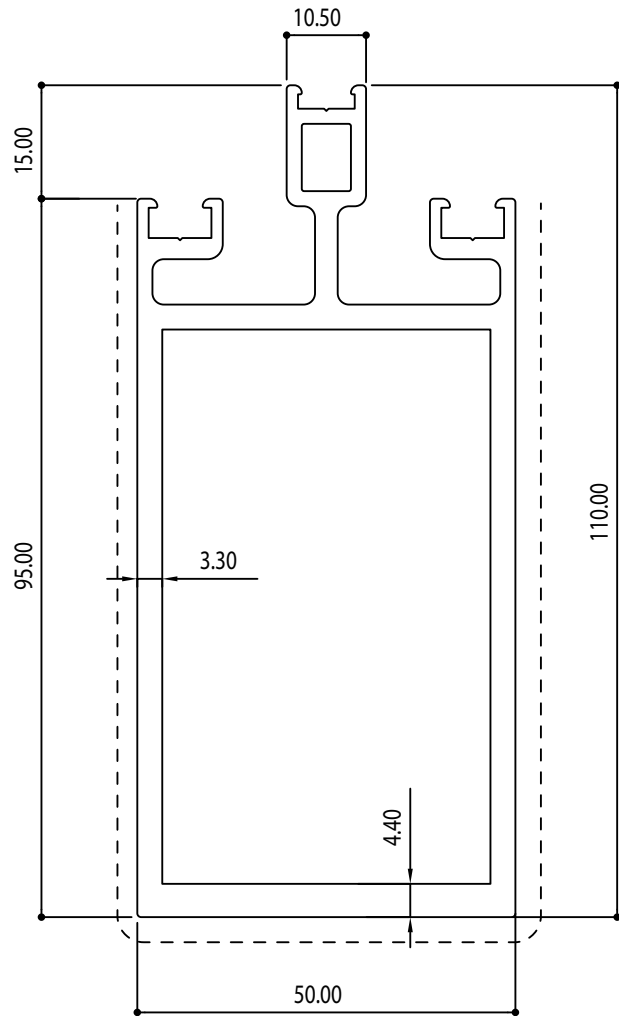


70040
(2.012 Kg/m)

* For export, not recommended for GCC usage

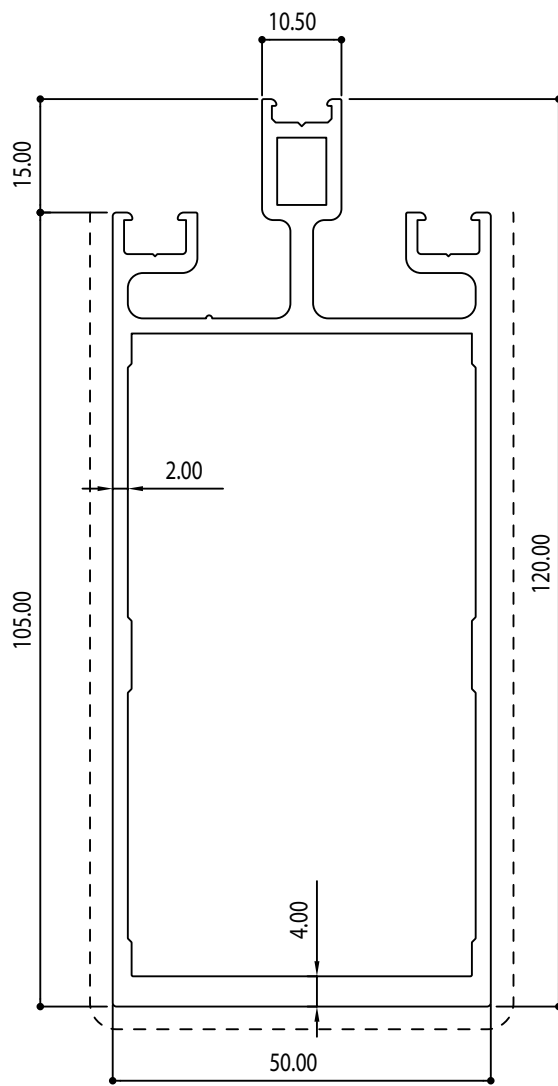


70016
(2.289 Kg/m)

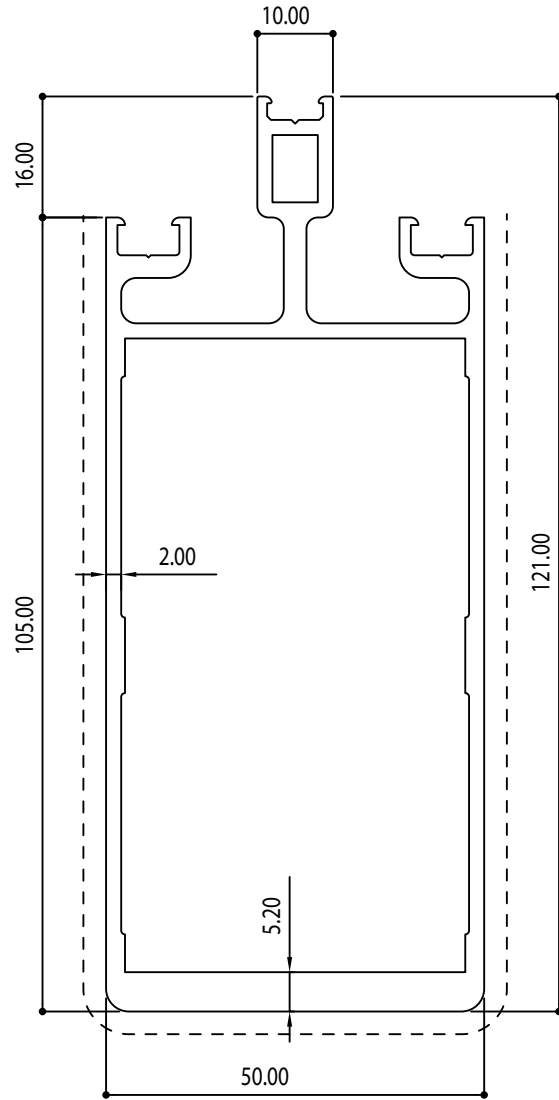


70043
(3.022 Kg/m)

* For export, not recommended for GCC usage

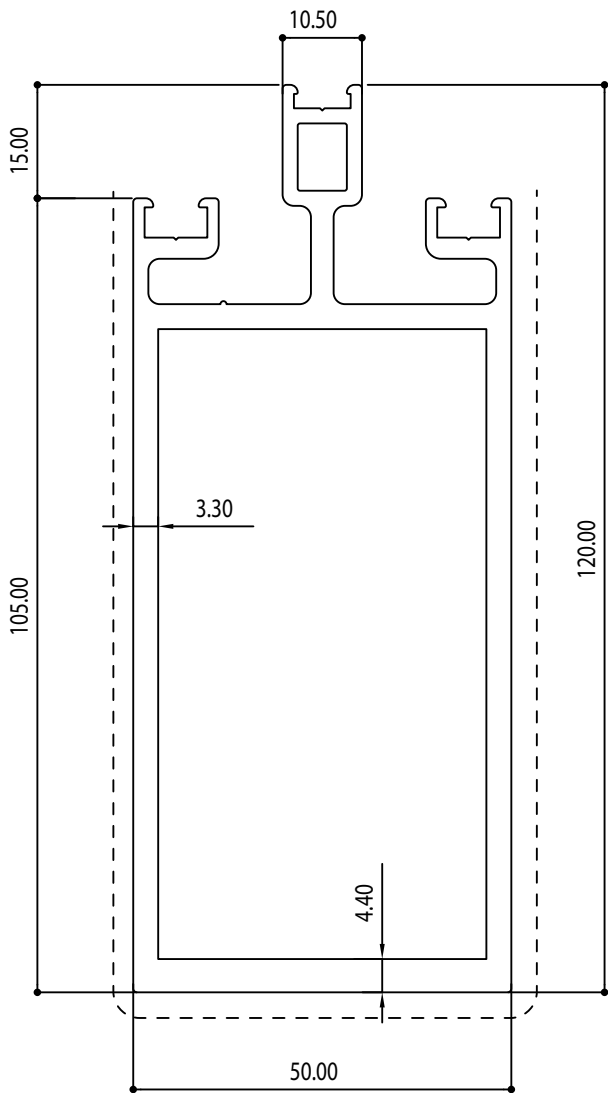


70015
(2.442 Kg/m)

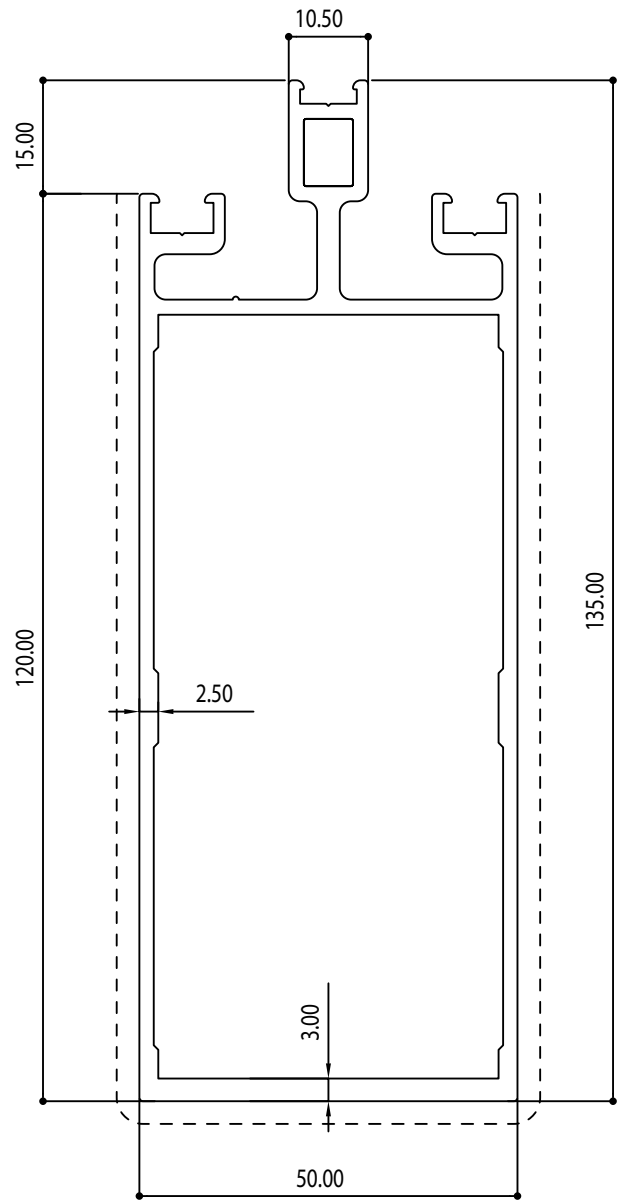


21601
(2.602 Kg/m)

* For export, not recommended for GCC usage

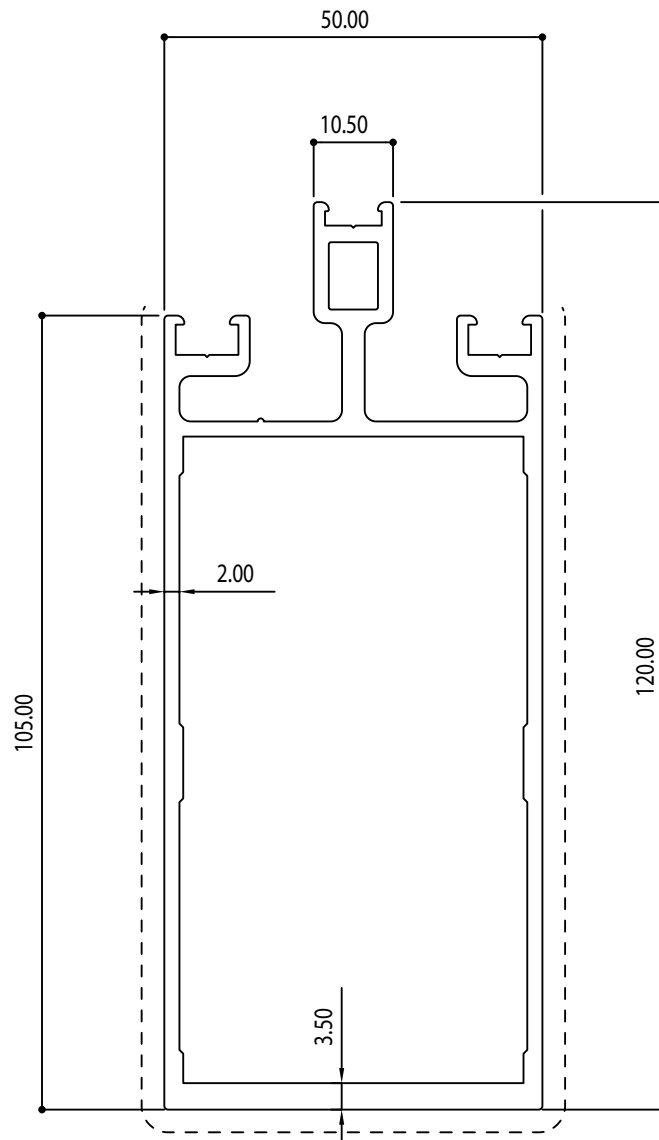


70044
(3.200 Kg/m)



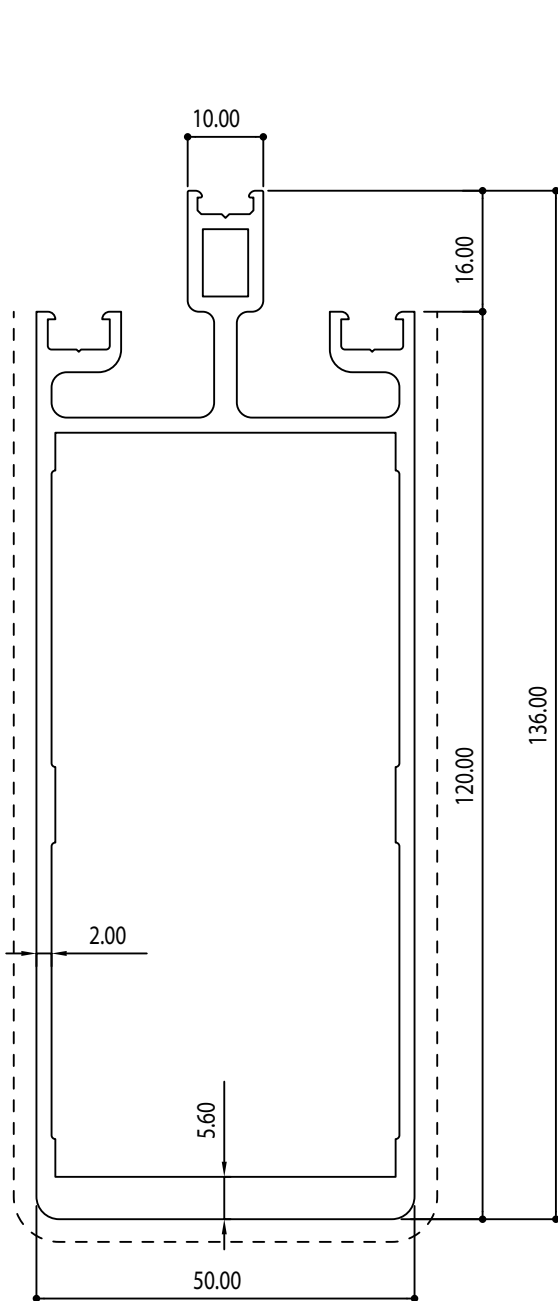
70041
(2.448 Kg/m)

* For export, not recommended for GCC usage

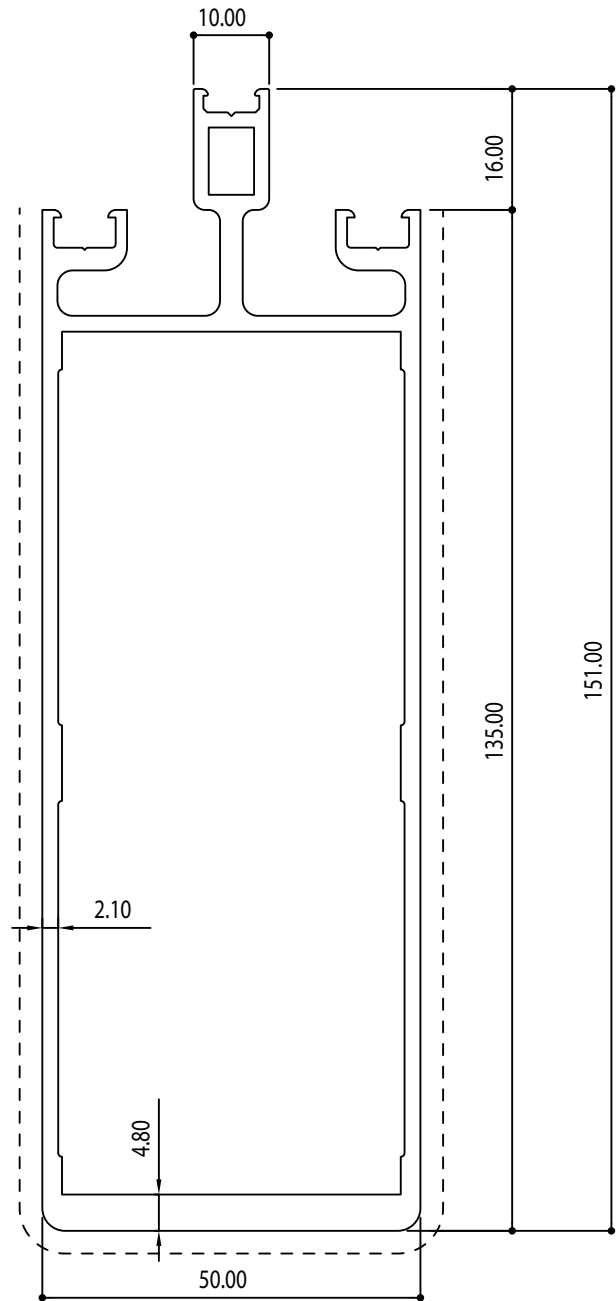


70017
(2.393 Kg/m)

* For export, not recommended for GCC usage



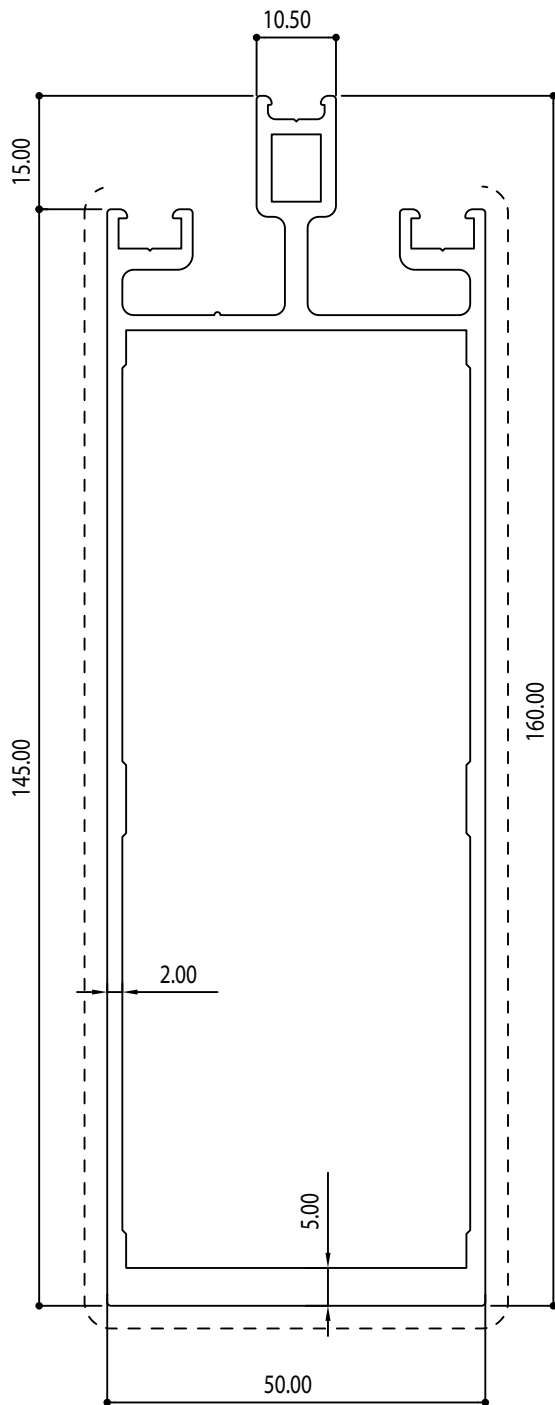
21669
(2.814 Kg/m)



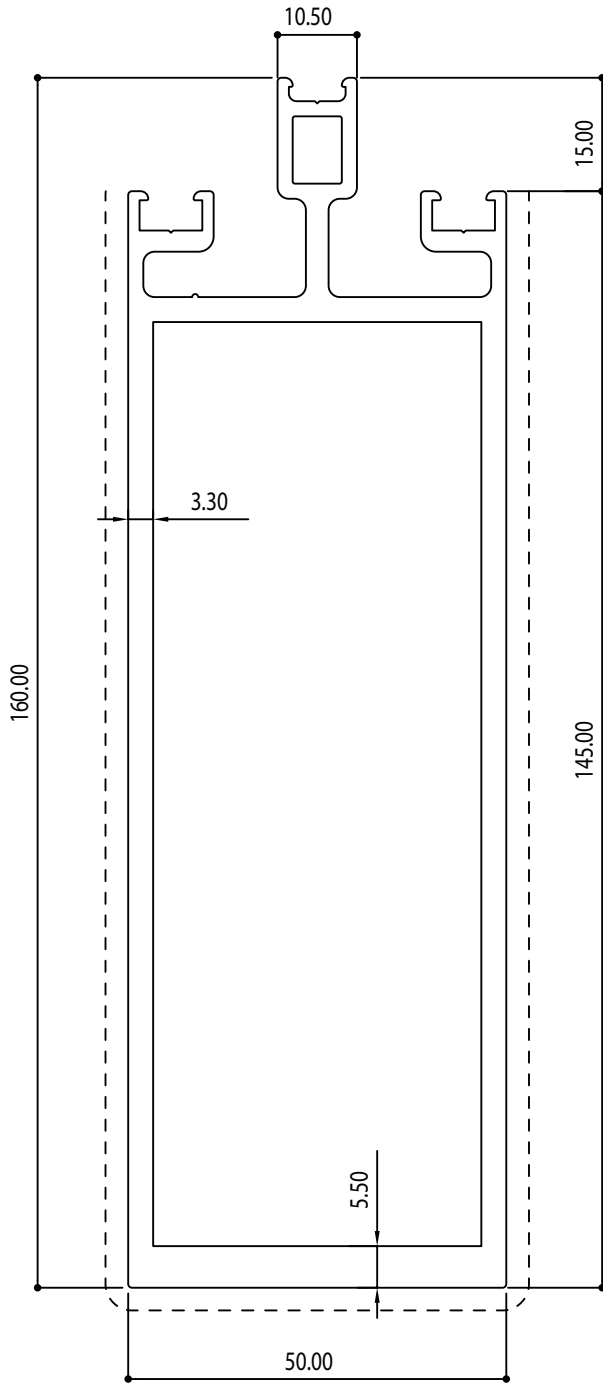
24255
(2.951 Kg/m)

* For export, not recommended for GCC usage

Curtain Wall



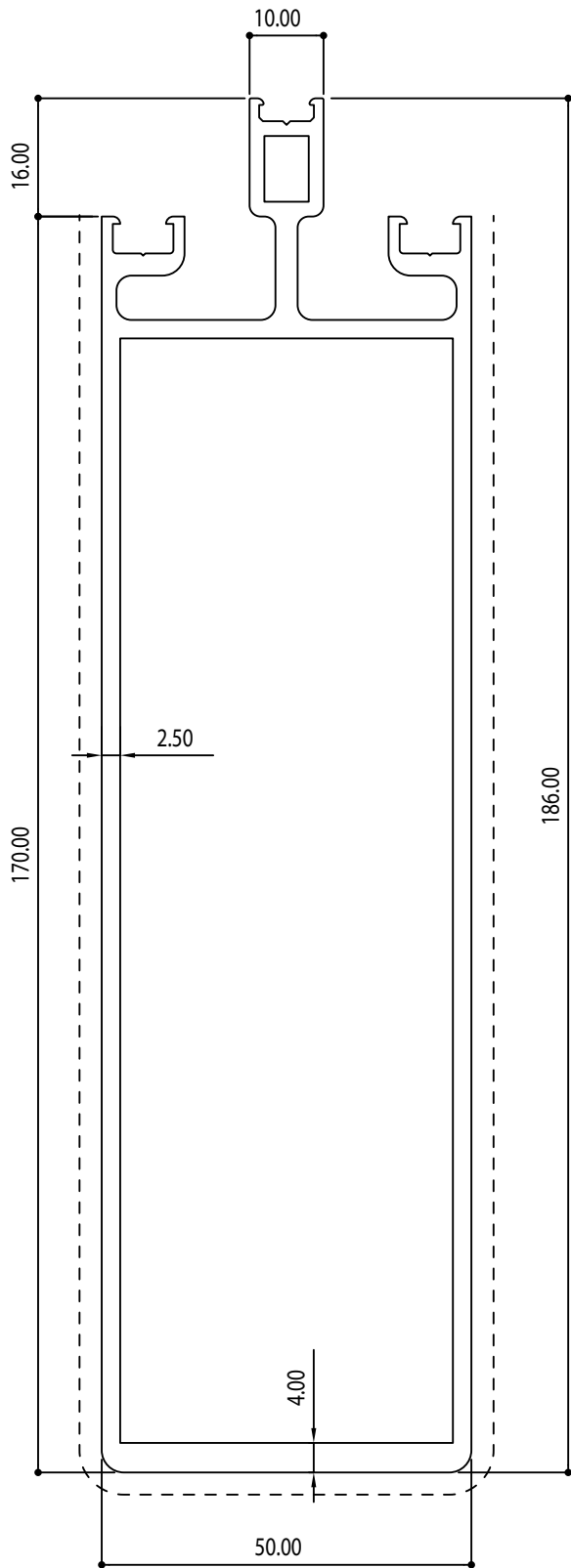
70029
(3.013 Kg/m)



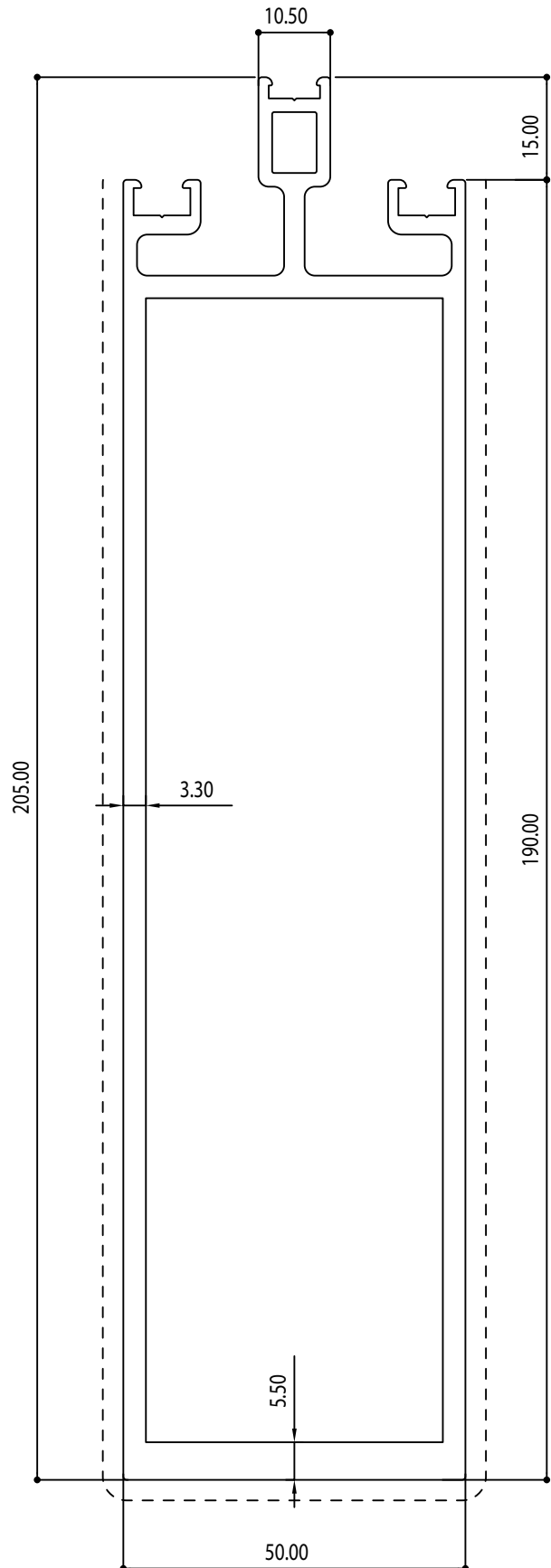
70045
(4.035 Kg/m)

* For export, not recommended for GCC usage

Curtain Wall

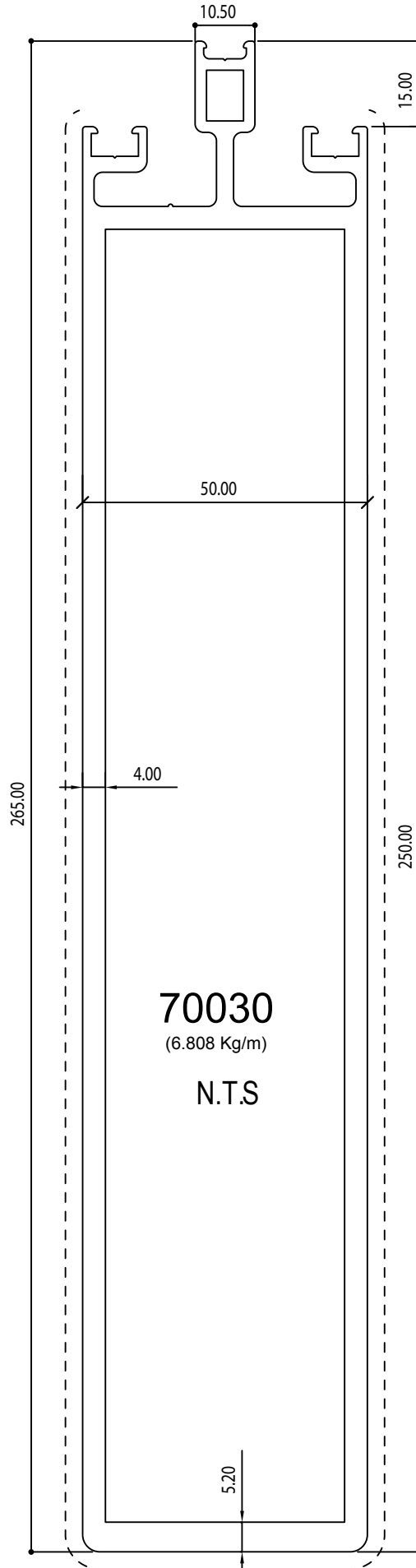


21680
(3.566 Kg/m)



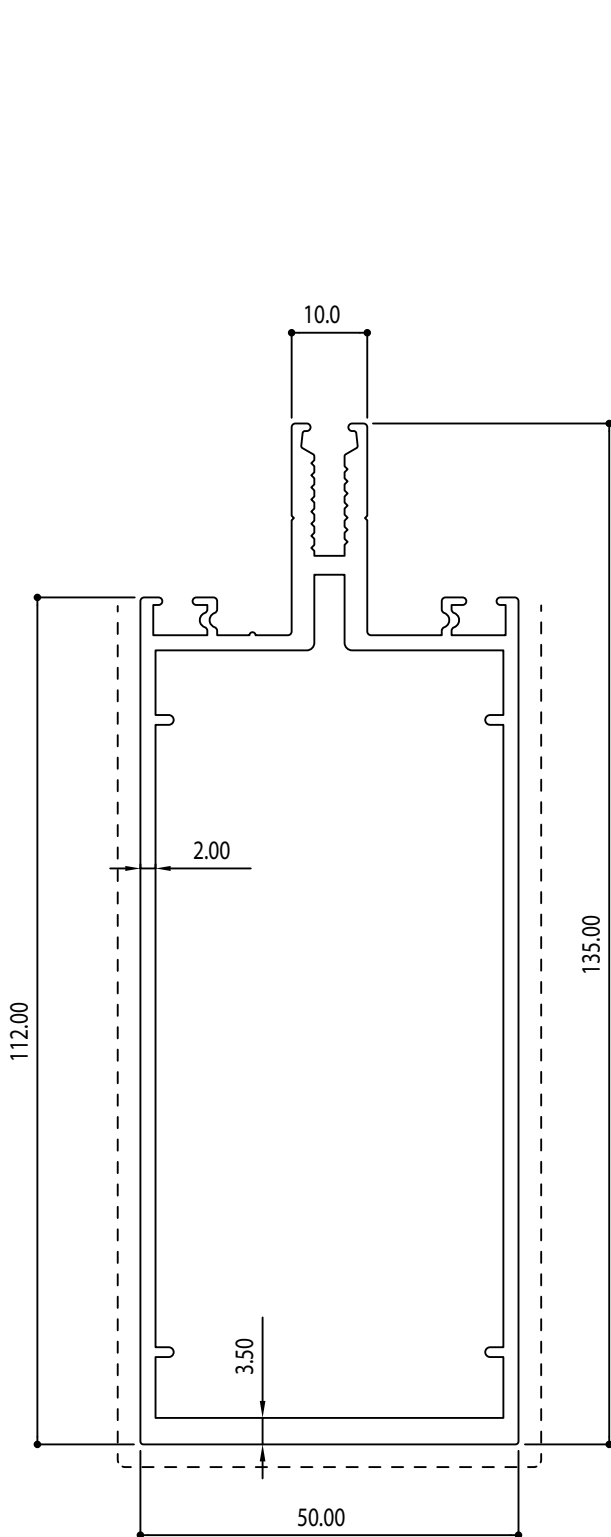
70042
(4.843 Kg/m)

* For export, not recommended for GCC usage

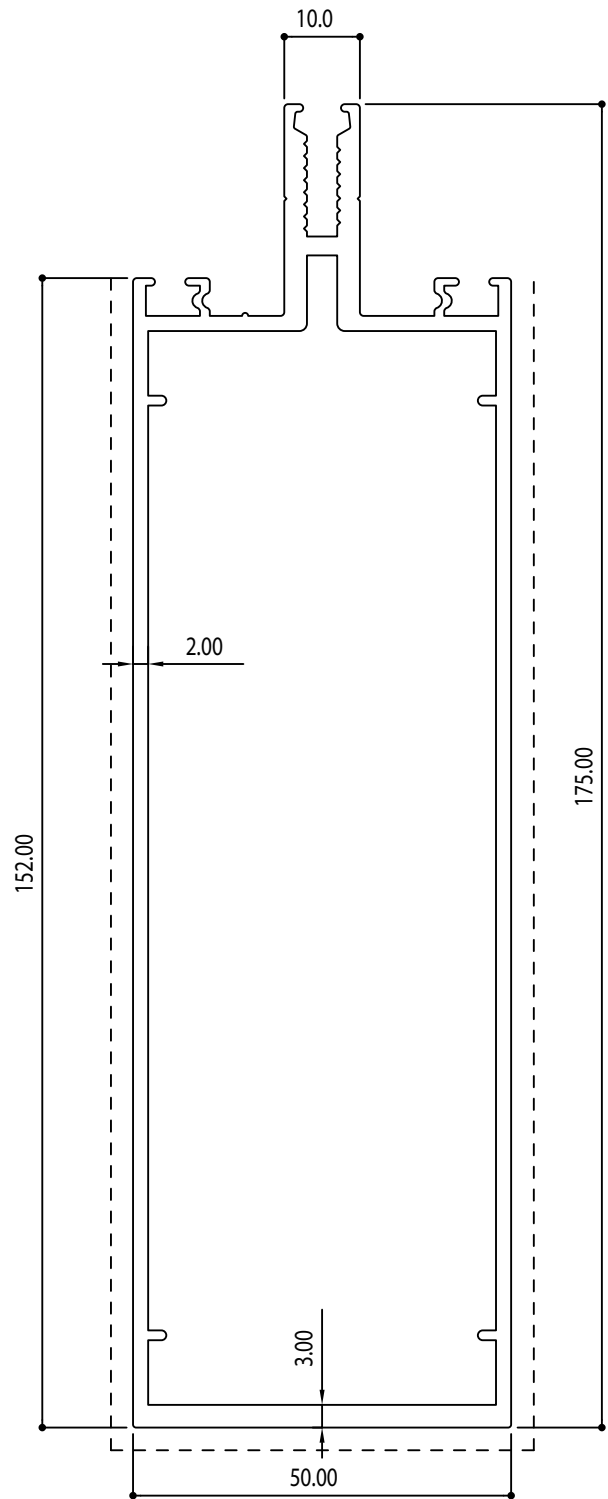


* For export, not recommended for GCC usage

Curtain Wall

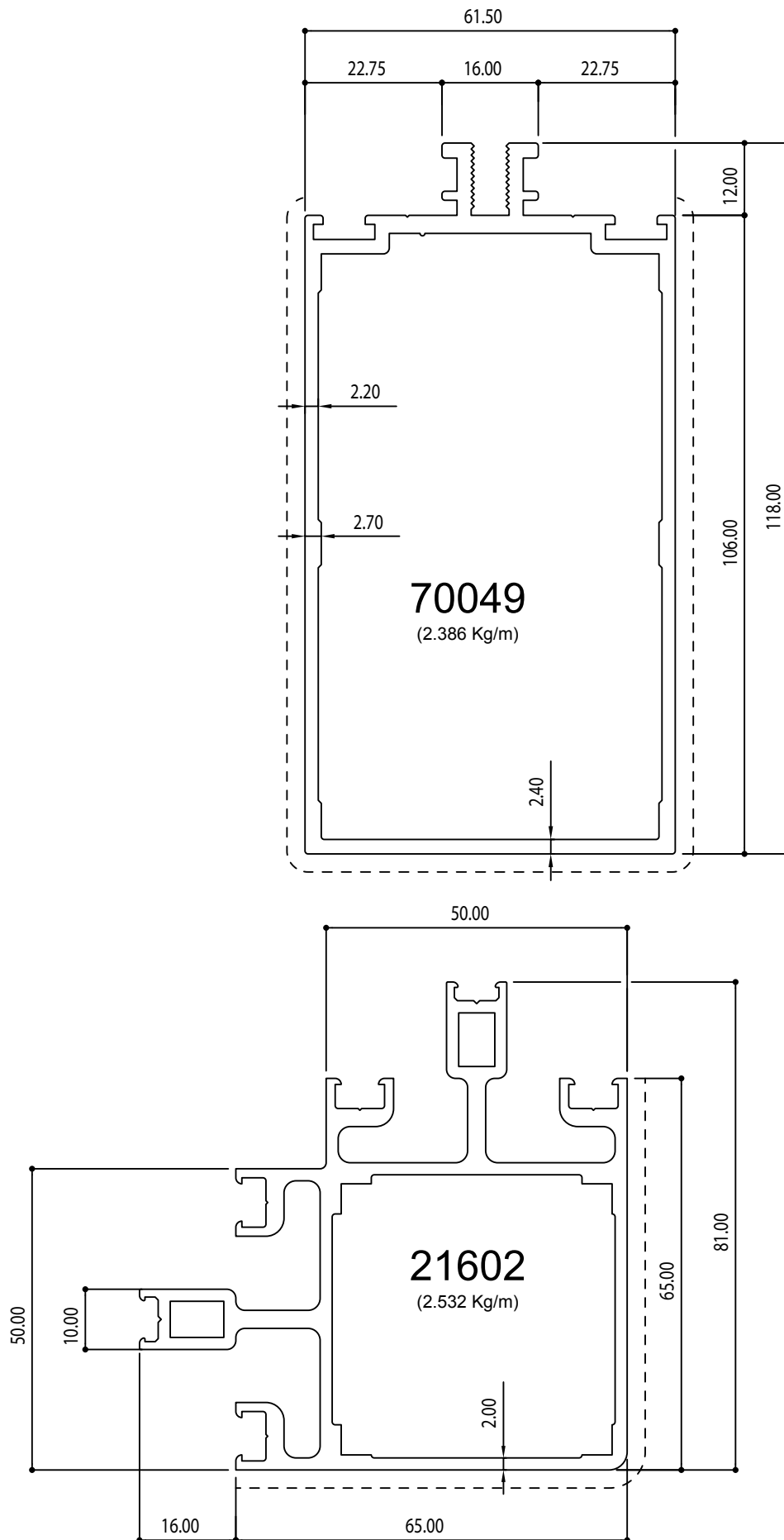


70053
(2.391 Kg/m)



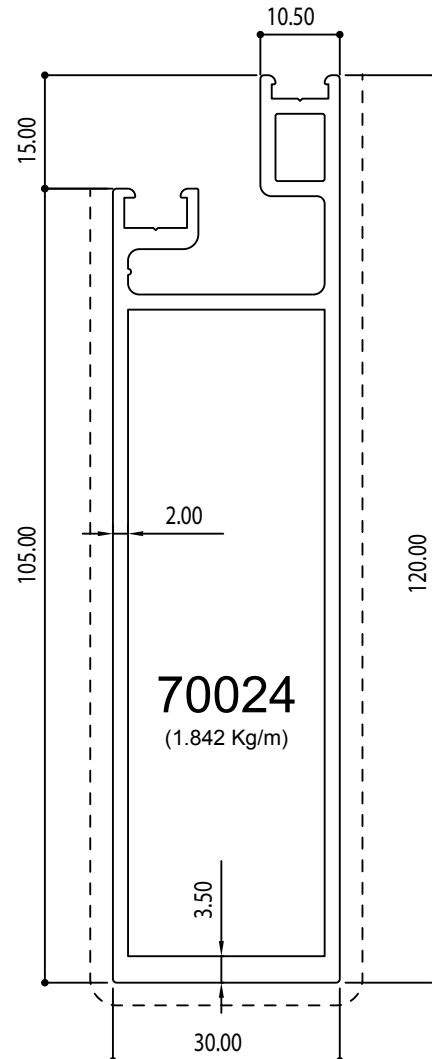
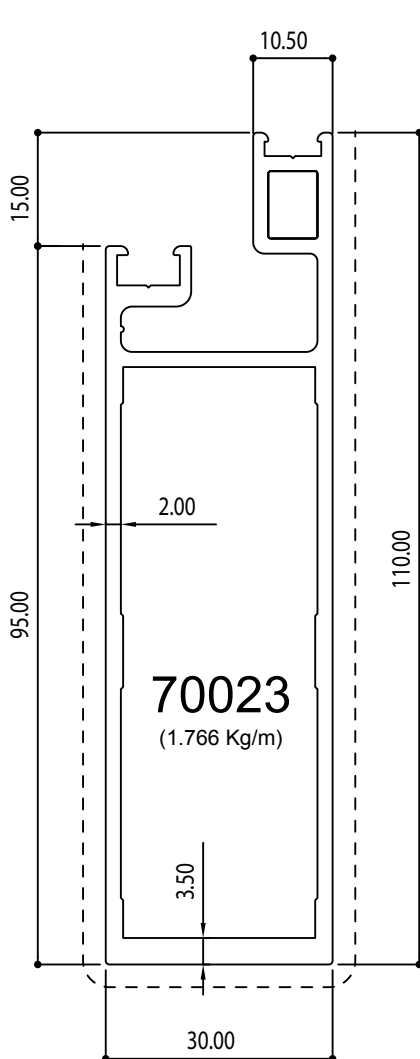
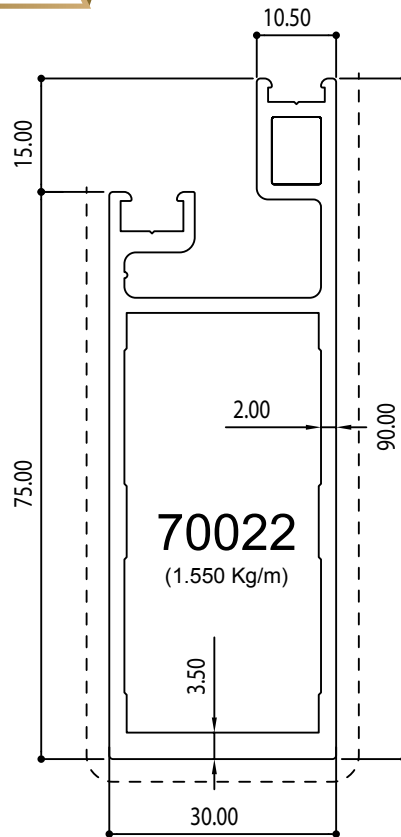
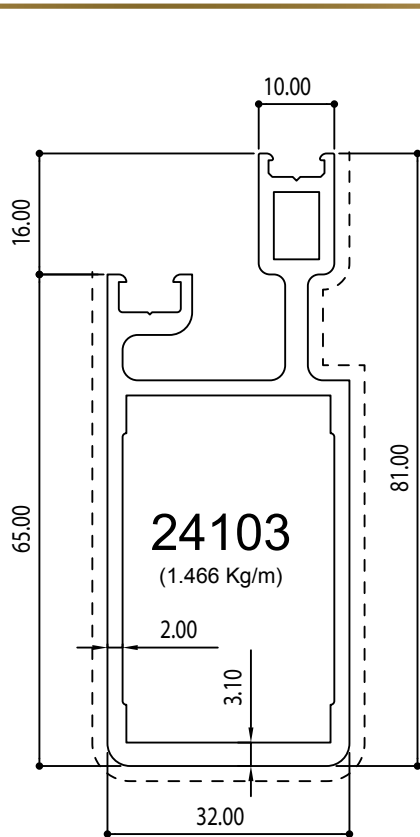
70050
(2.761 Kg/m)

* For export, not recommended for GCC usage

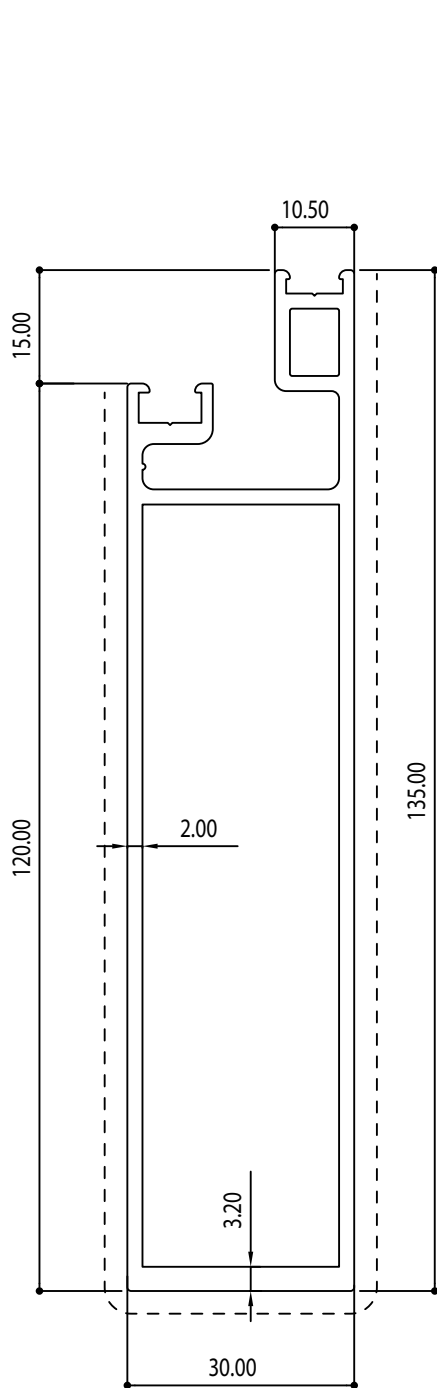


* For export, not recommended for GCC usage

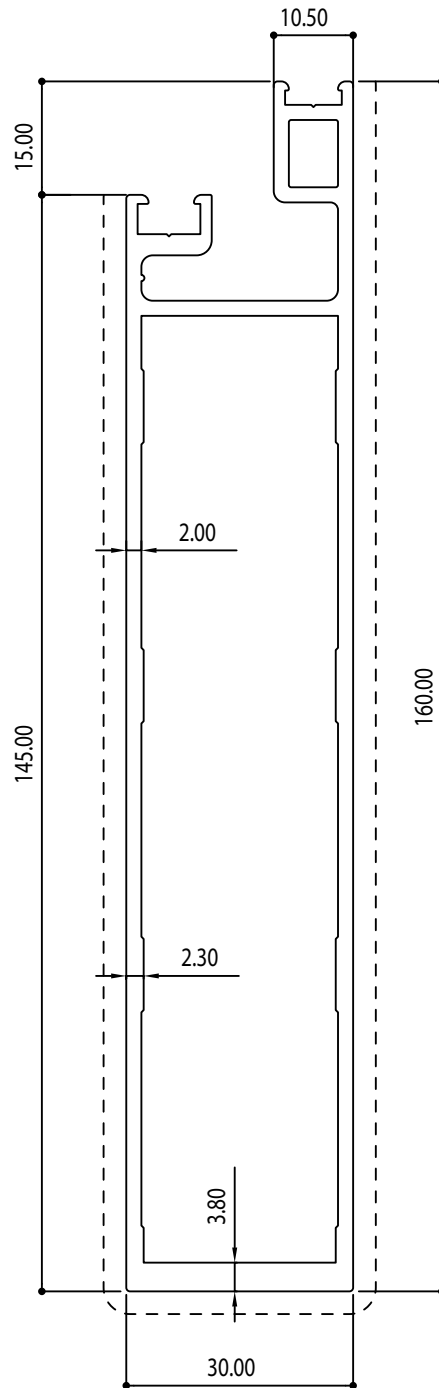
Curtain Wall



* For export, not recommended for GCC usage

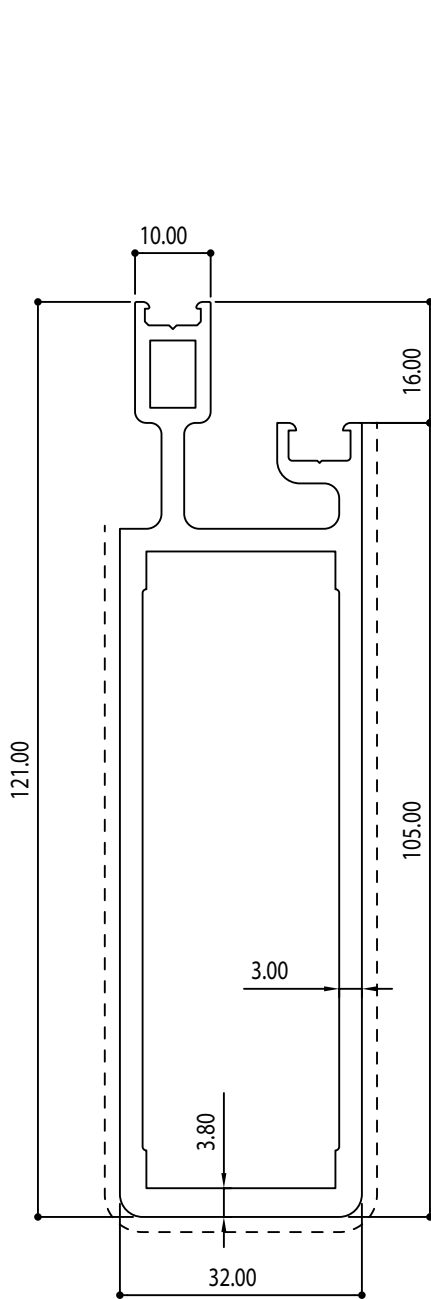


70035
(1.983 Kg/m)

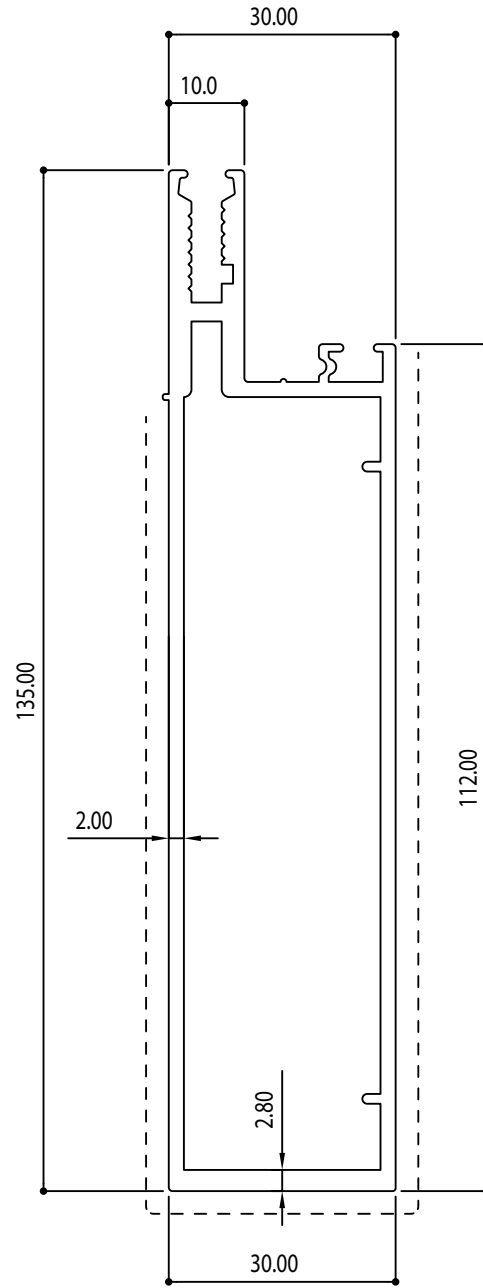


70036
(2.350 Kg/m)

* For export, not recommended for GCC usage



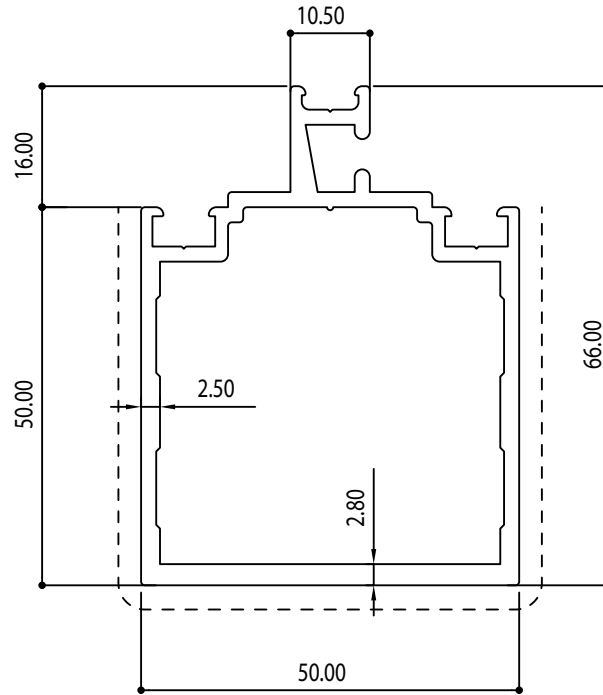
24290
(2.498 Kg/m)



70054
(1.988 Kg/m)

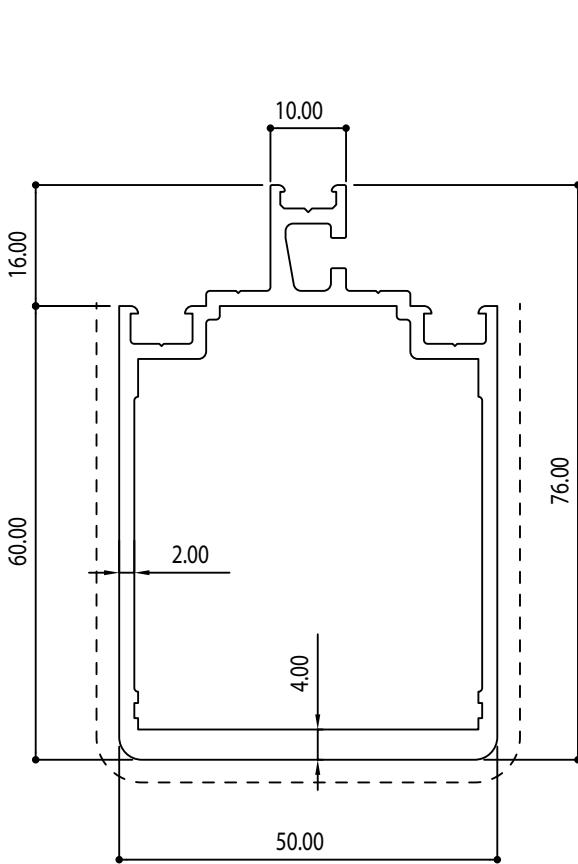
* For export, not recommended for GCC usage

Curtain Wall



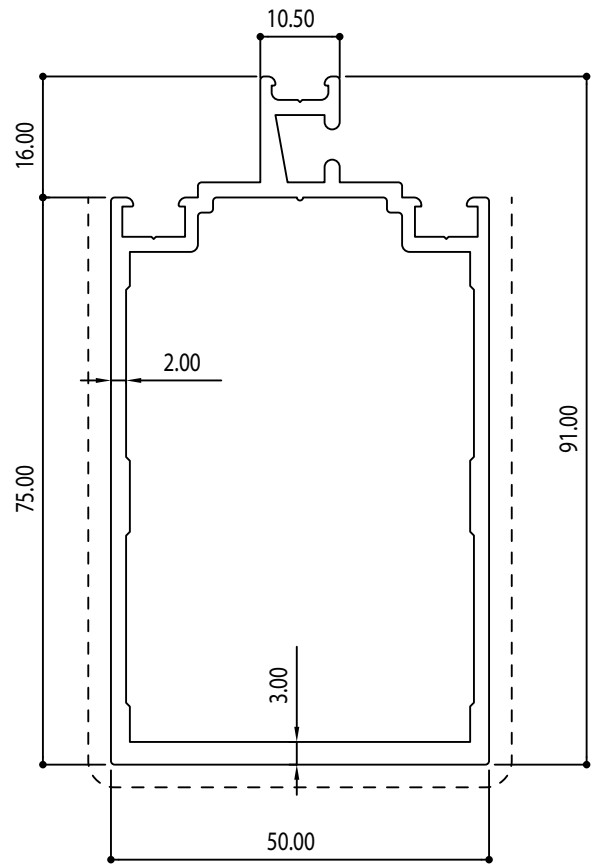
70038

(1.431 Kg/m)



21709

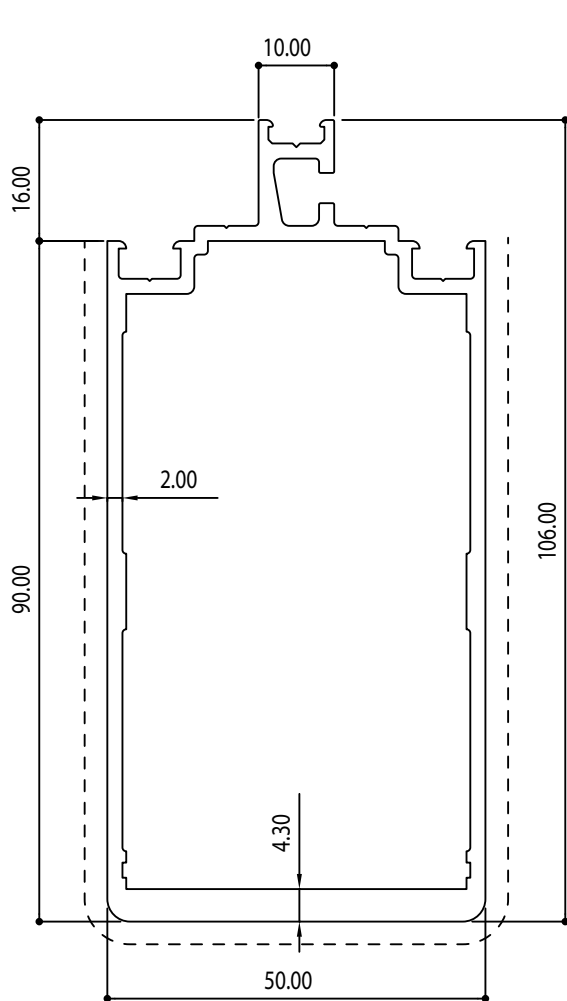
(1.630 Kg/m)



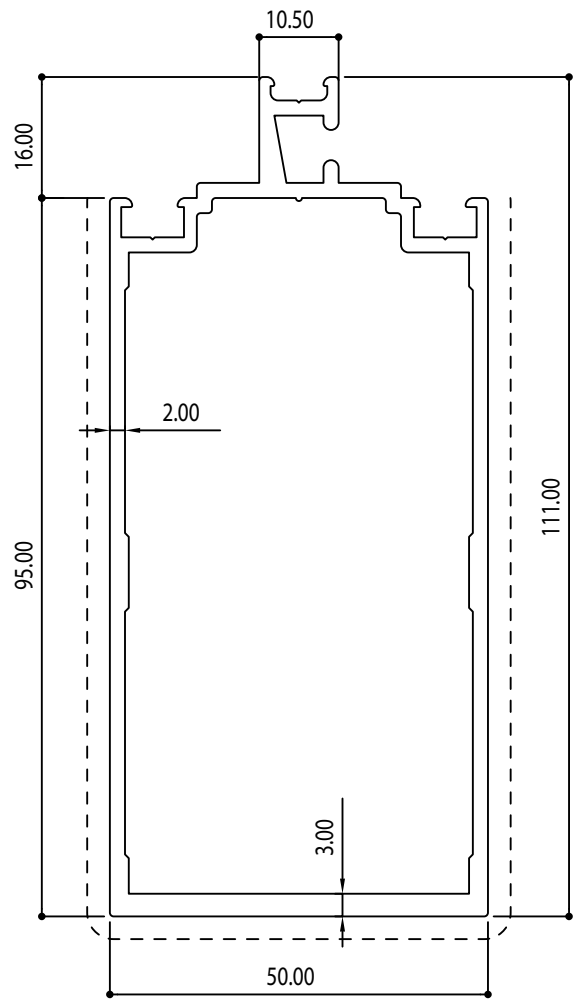
70018

(1.726 Kg/m)

* For export, not recommended for GCC usage

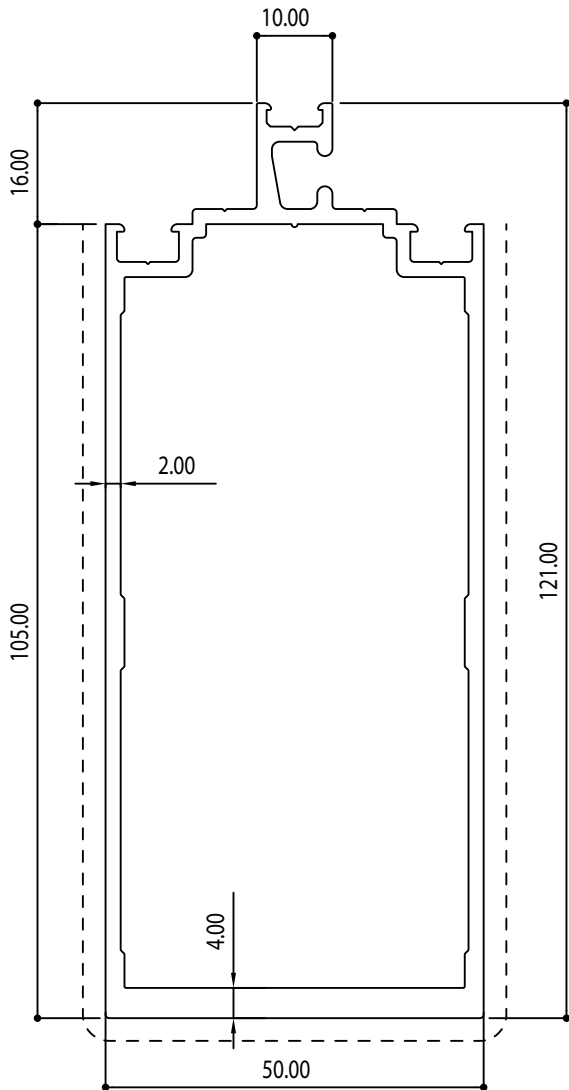


21603
(2.019 Kg/m)

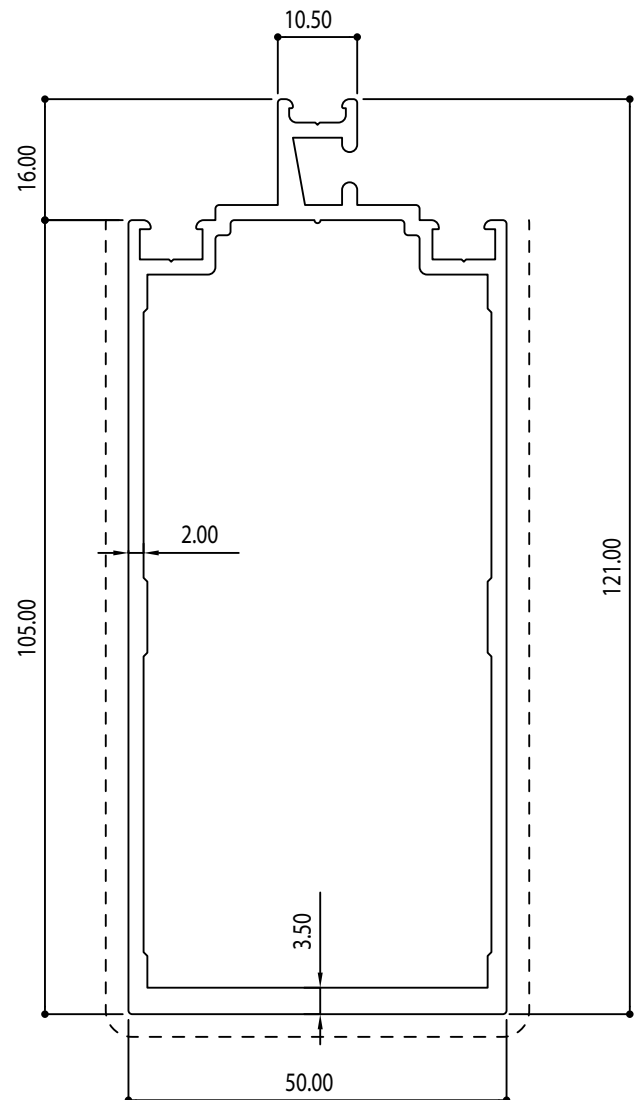


70019
(1.942 Kg/m)

* For export, not recommended for GCC usage

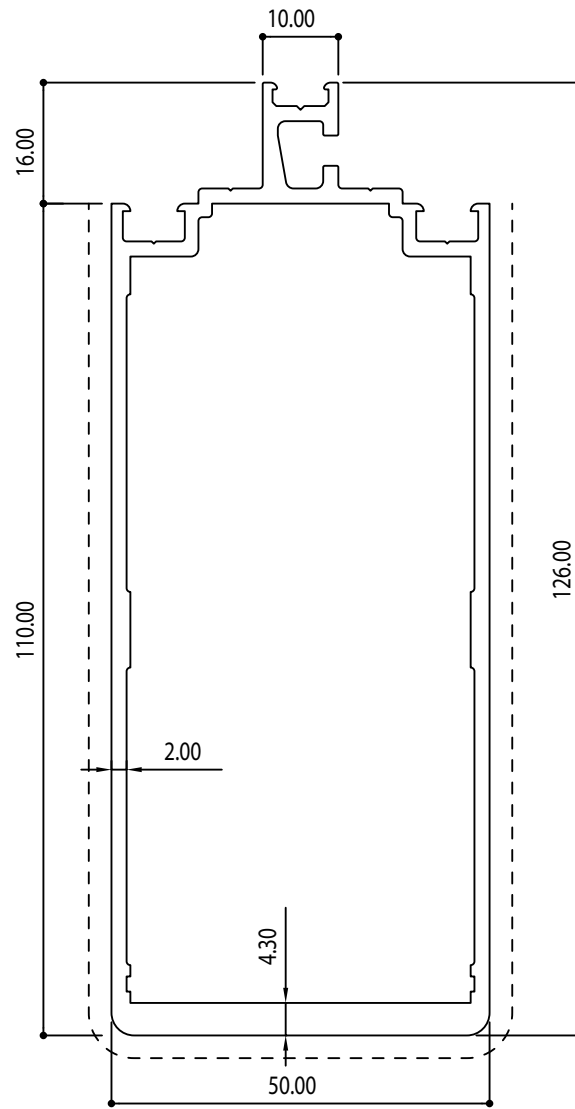


70014
(2.155 Kg/m)



70020
(2.111 Kg/m)

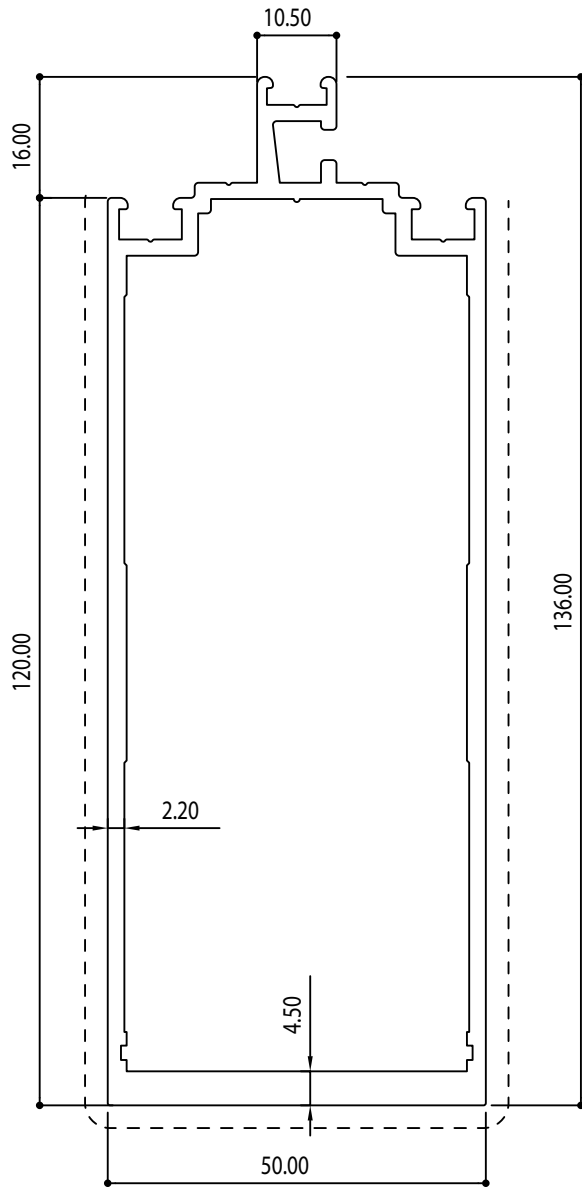
* For export, not recommended for GCC usage



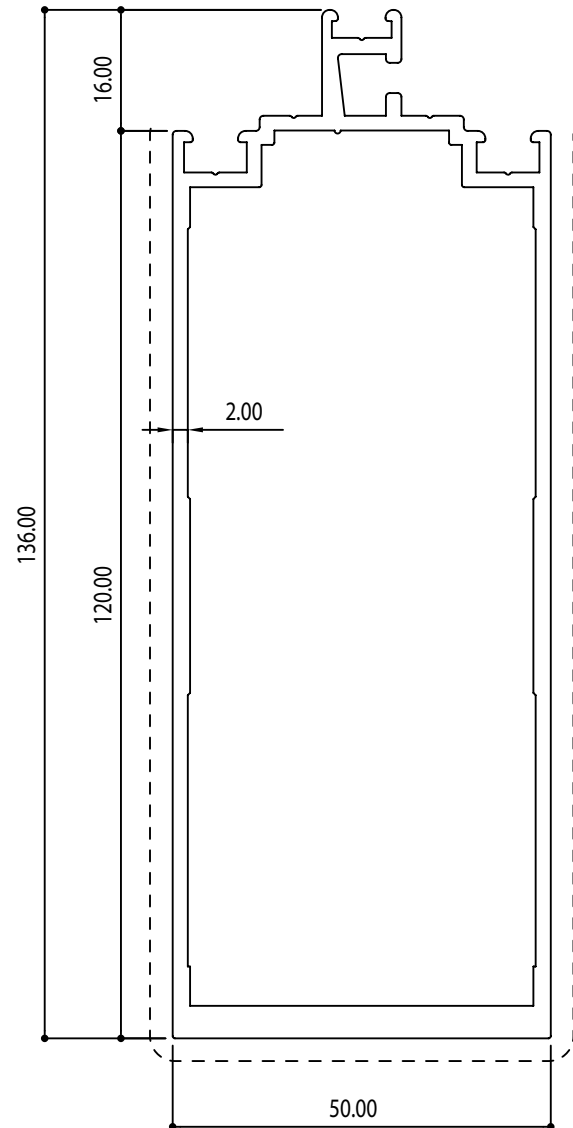
21670
(2.235 Kg/m)

* For export, not recommended for GCC usage

Curtain Wall

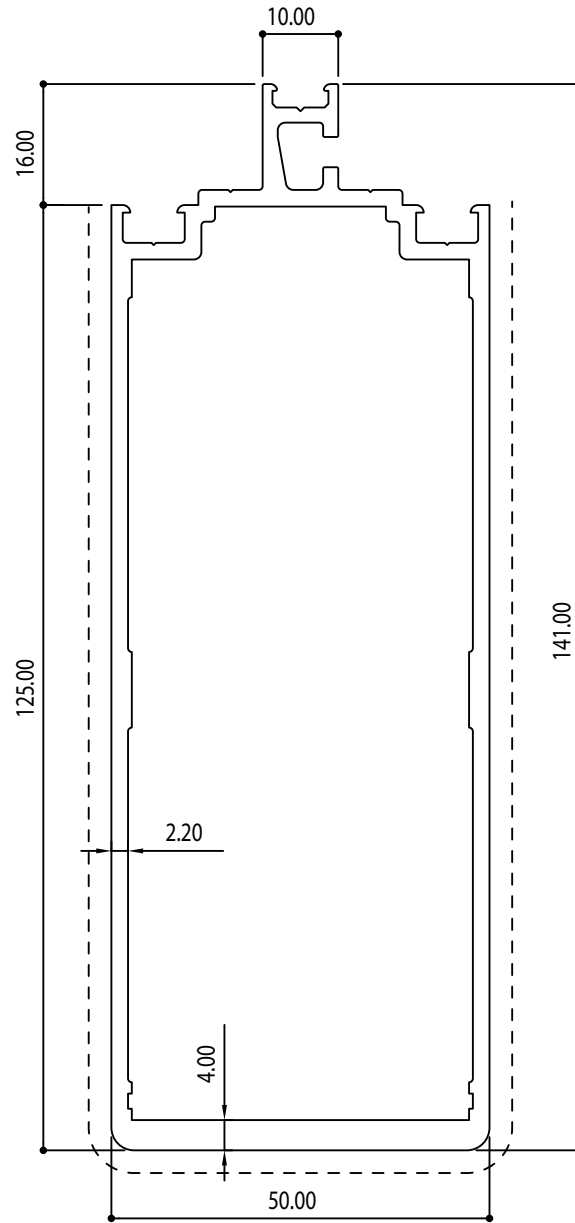


26413
(2.544 Kg/m)



70055
(2.377 Kg/m)

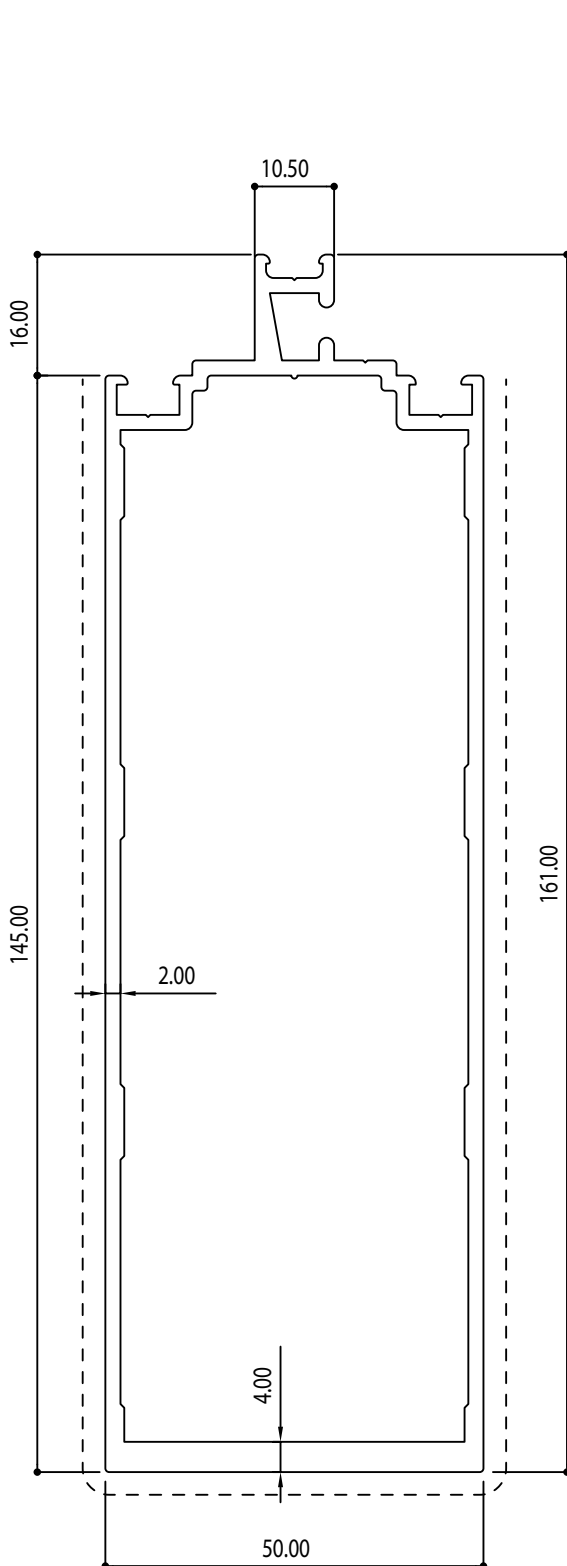
* For export, not recommended for GCC usage



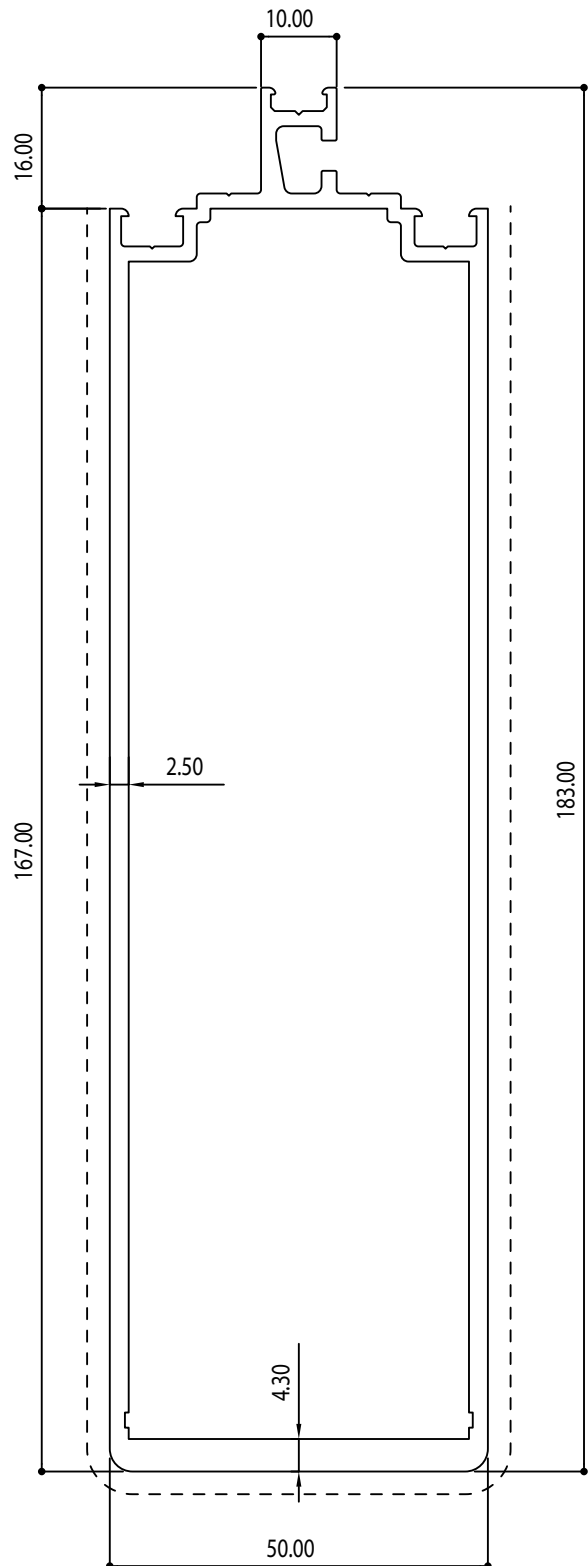
24256
(2.524 Kg/m)

* For export, not recommended for GCC usage

Curtain Wall



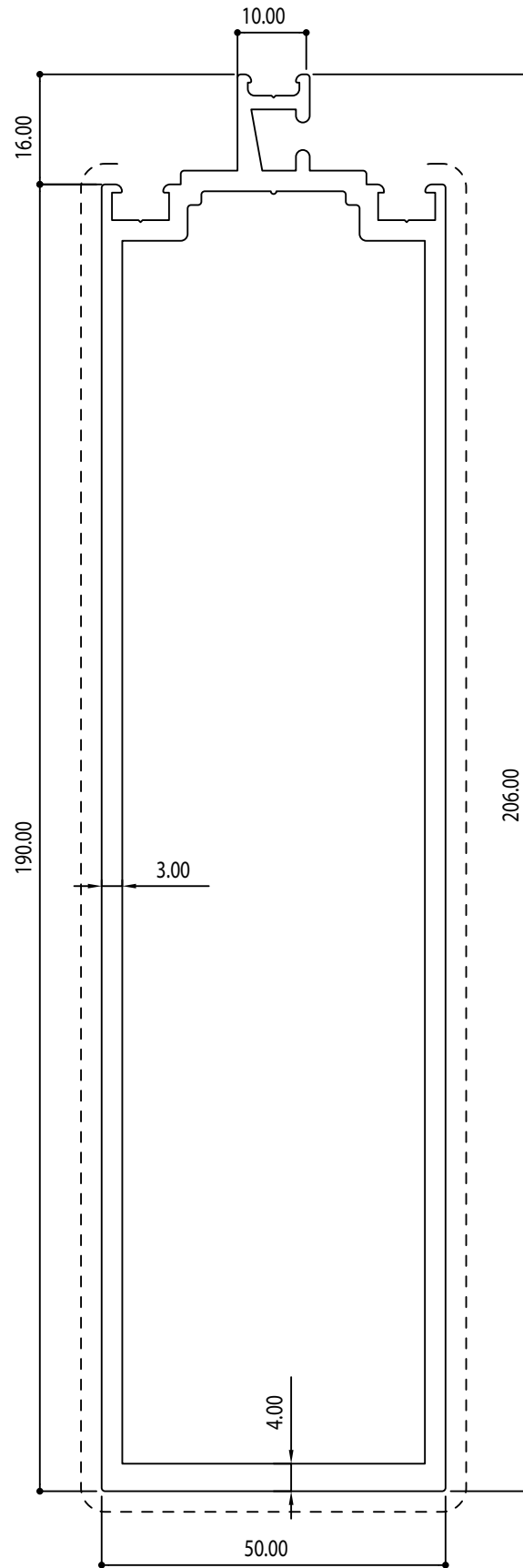
26222
(2.643 Kg/m)



21730
(3.216 Kg/m)

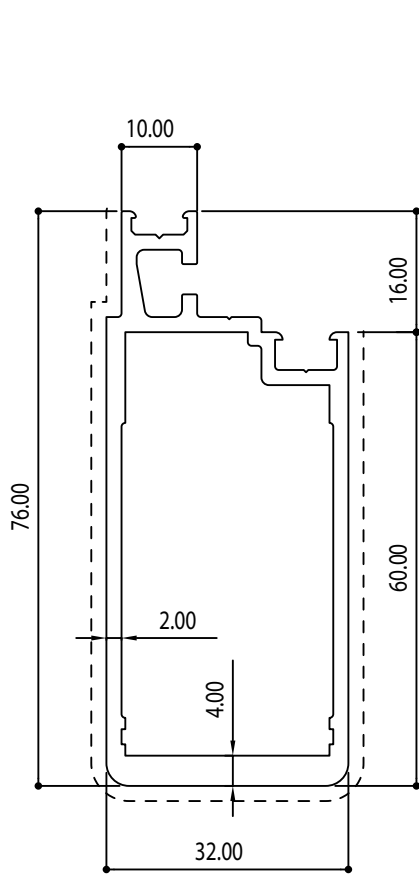
* For export, not recommended for GCC usage

Curtain Wall

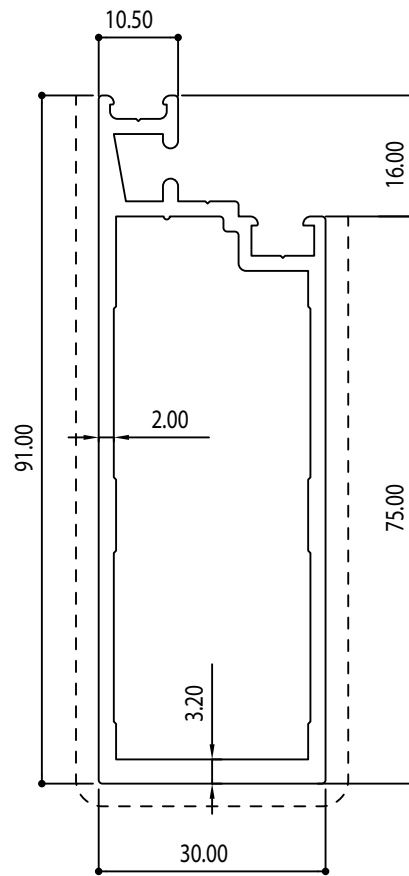


70021
(4.163 Kg/m)

* For export, not recommended for GCC usage

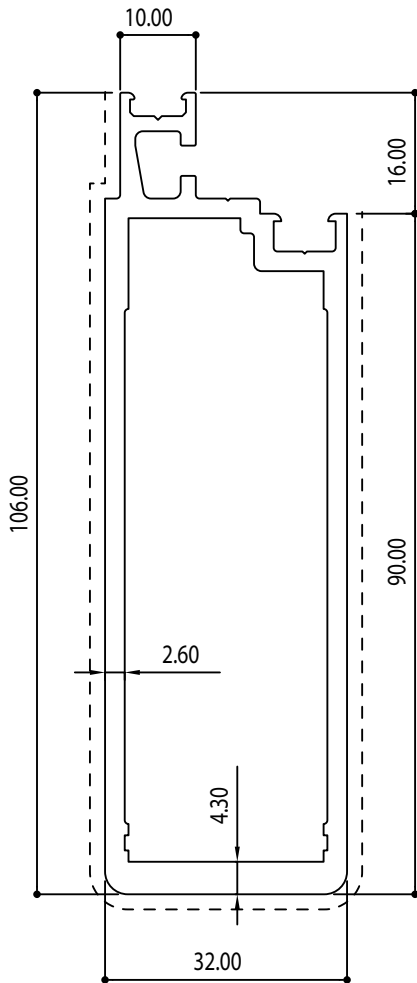


24104
(1.329 Kg/m)

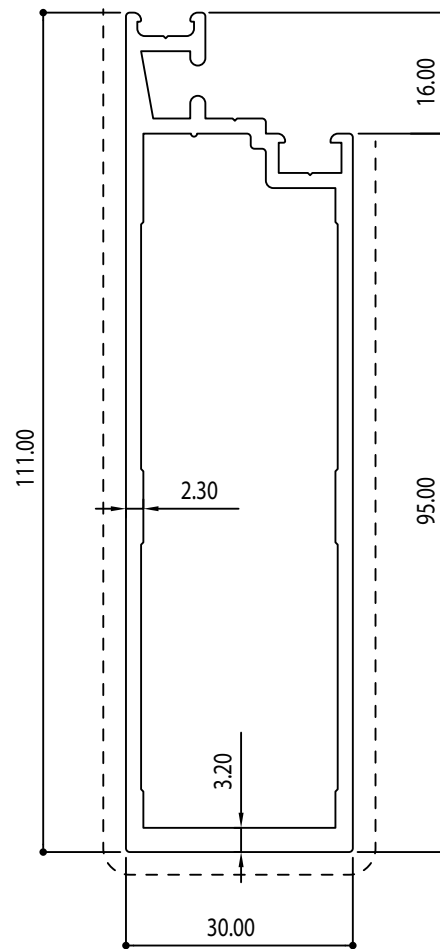


70009
(1.432 Kg/m)

* For export, not recommended for GCC usage

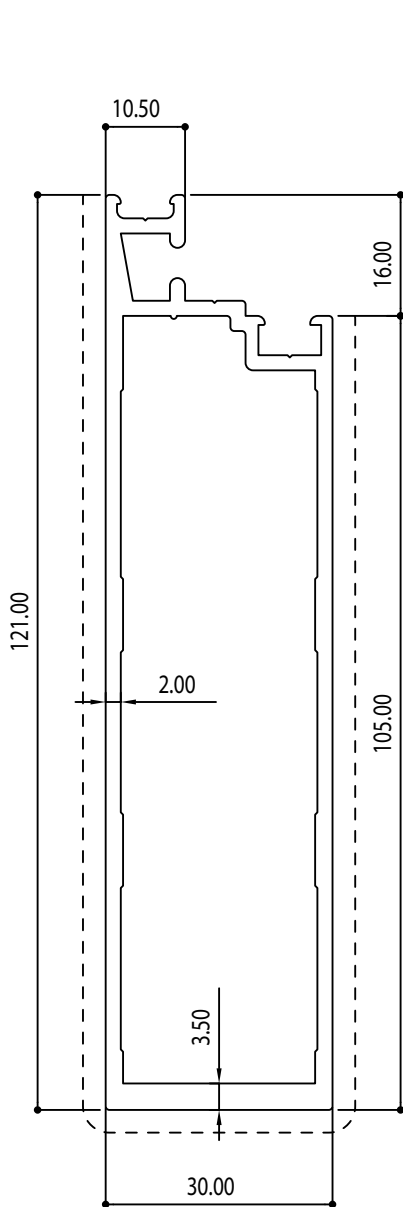


24291
(2.002 Kg/m)

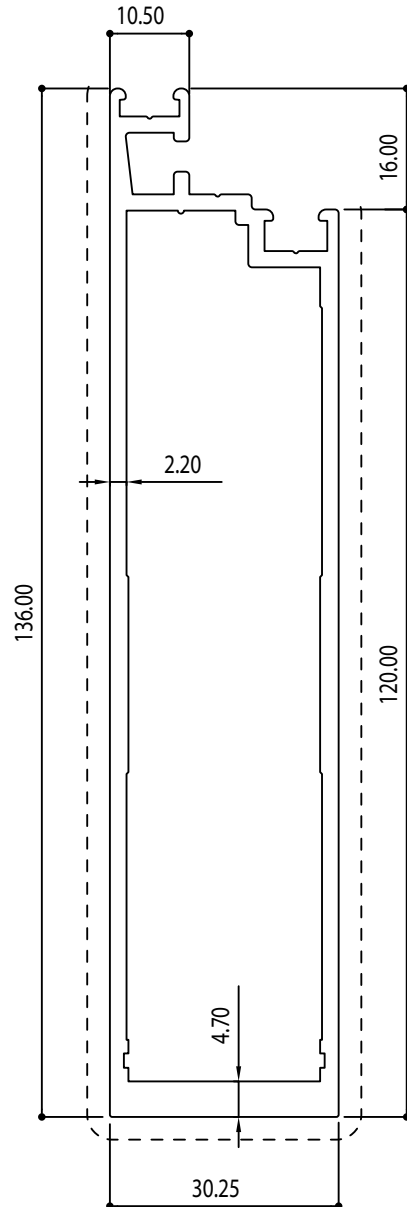


70037
(1.648 Kg/m)

* For export, not recommended for GCC usage



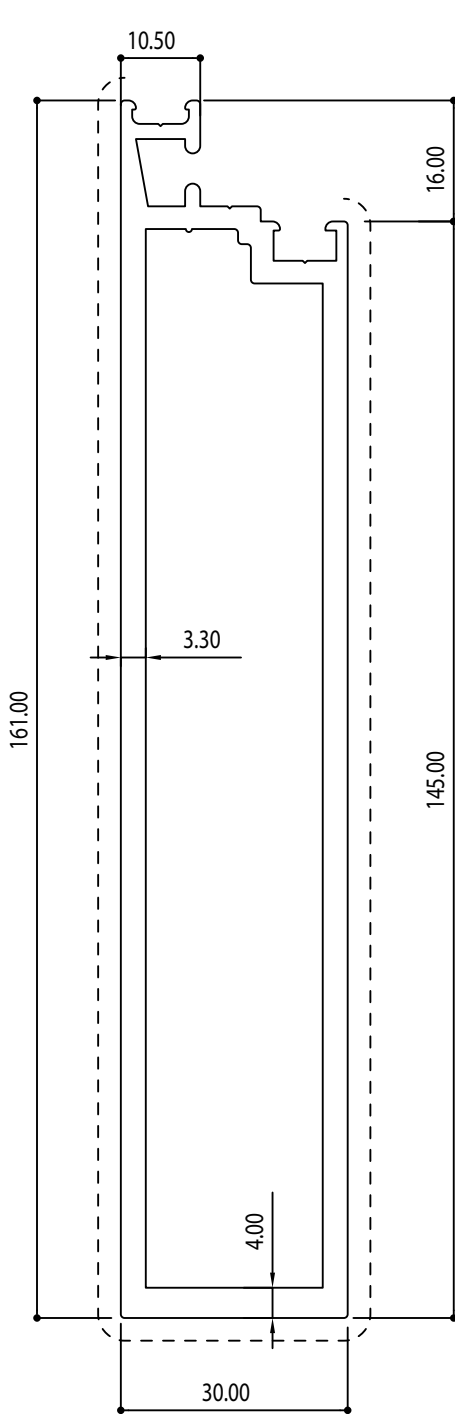
70025
(1.788 Kg/m)



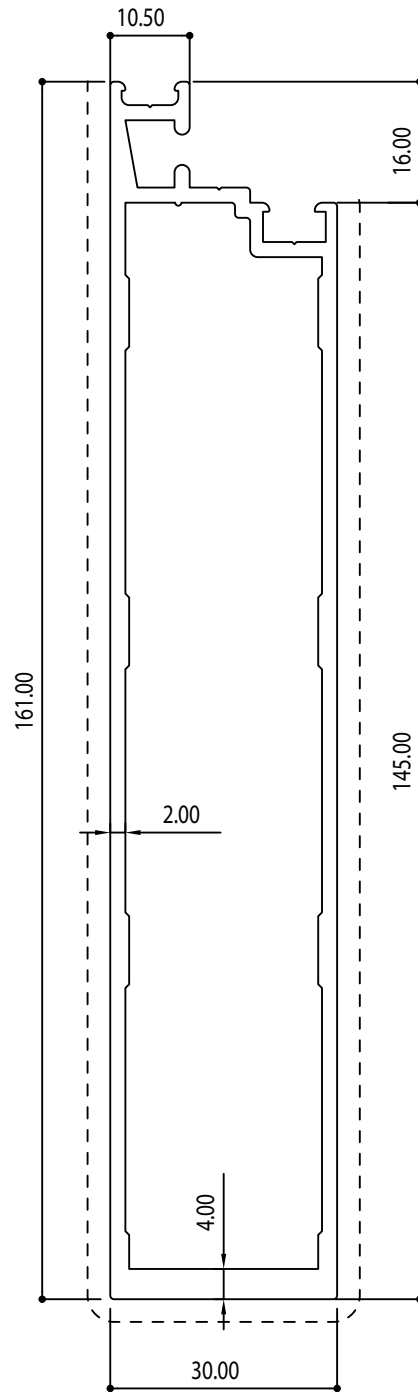
26414
(2.641 Kg/m)

* For export, not recommended for GCC usage

Curtain Wall



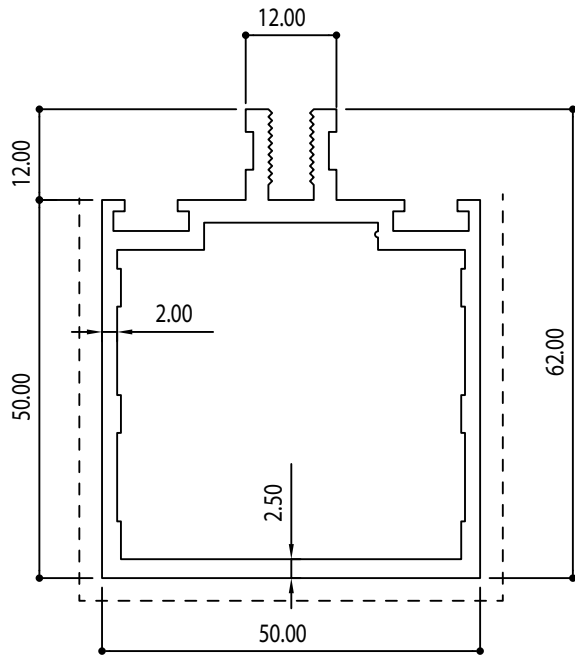
70047
(3.259 Kg/m)



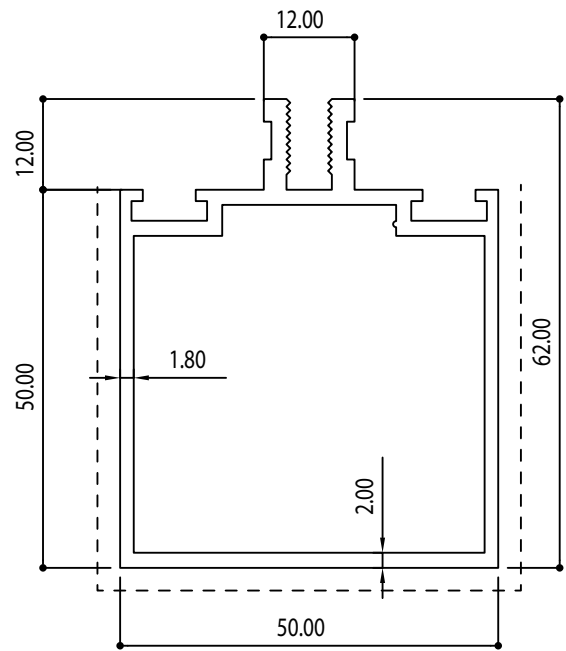
26223
(2.297 Kg/m)

* For export, not recommended for GCC usage

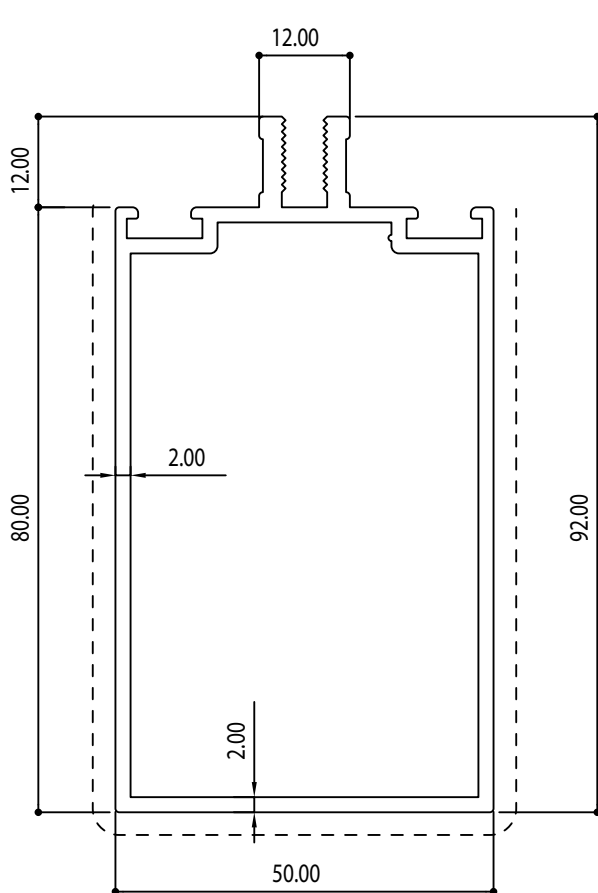
Curtain Wall



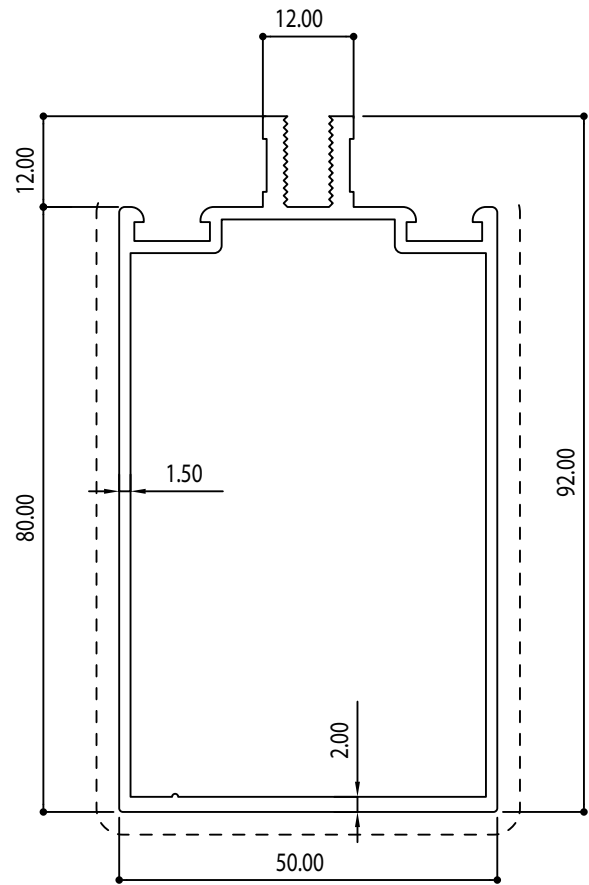
70004
(1.472 Kg/m)



70011
(1.231 Kg/m)



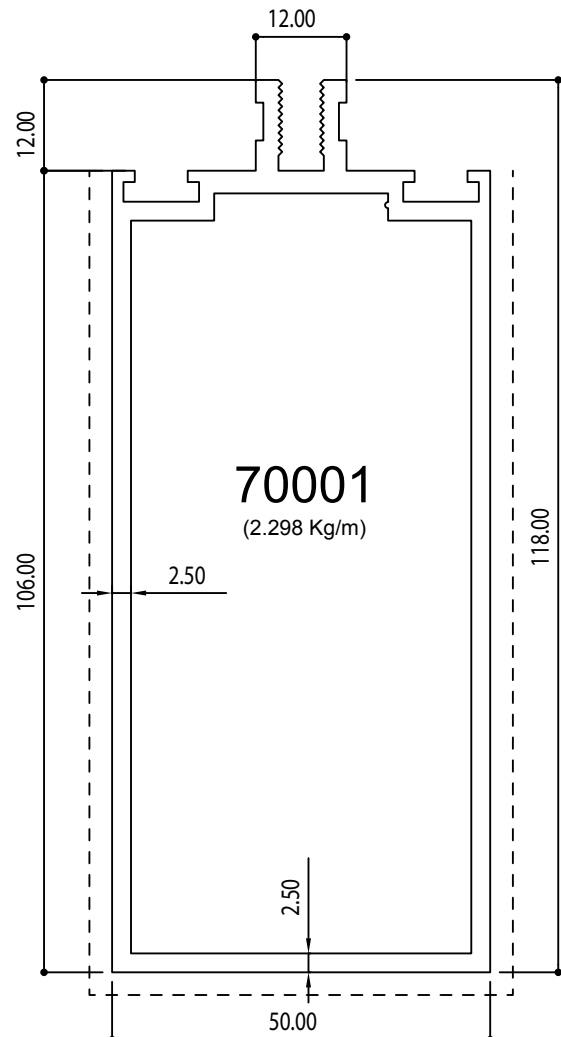
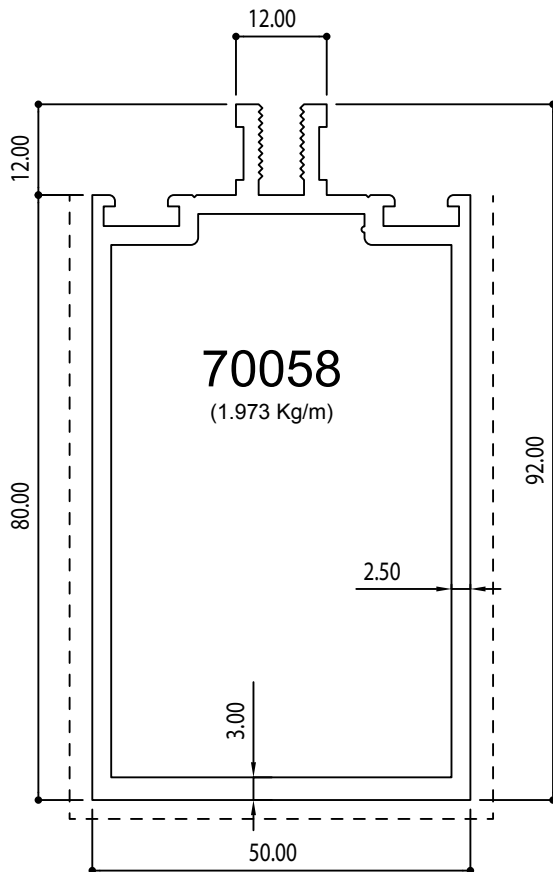
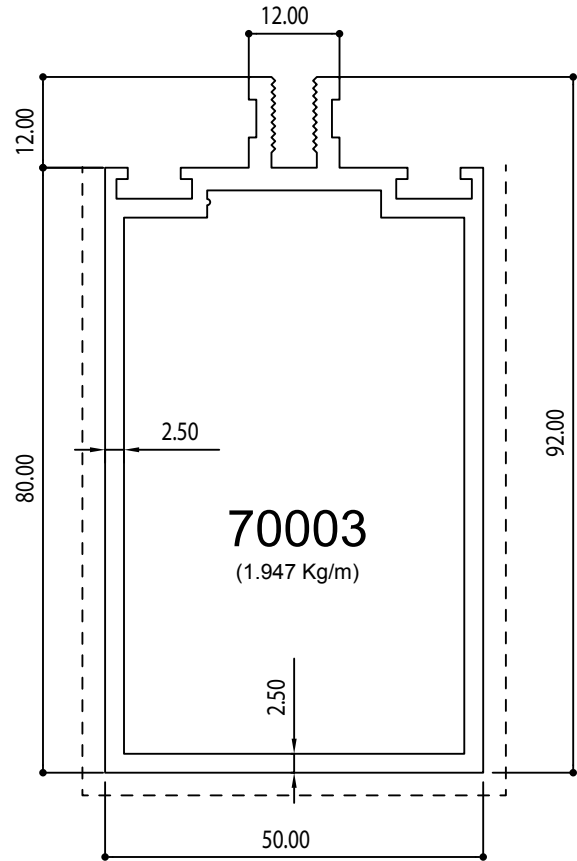
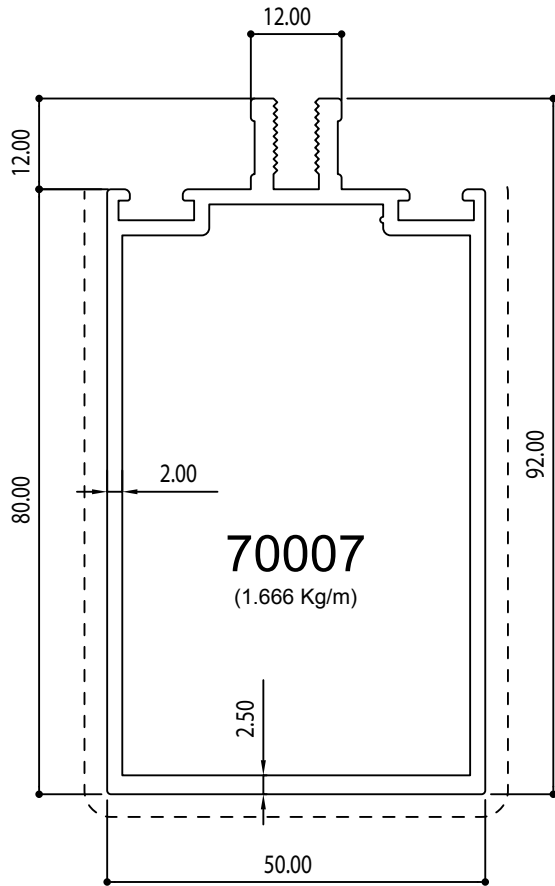
70012
(1.604 Kg/m)



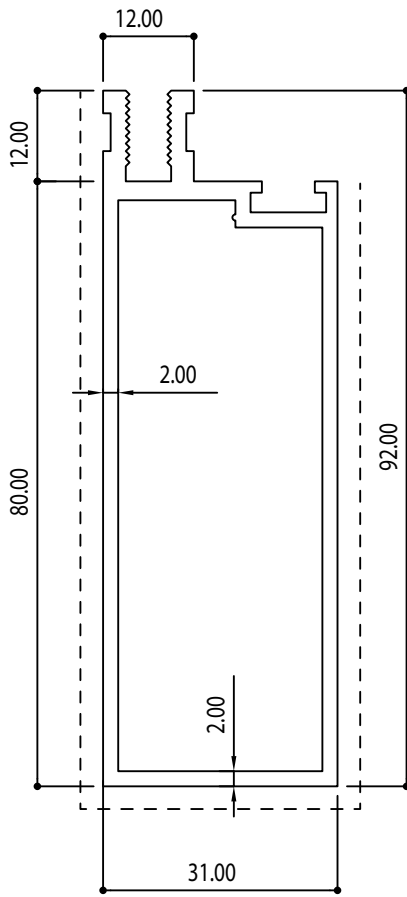
26300
(1.352 Kg/m)

* For export, not recommended for GCC usage

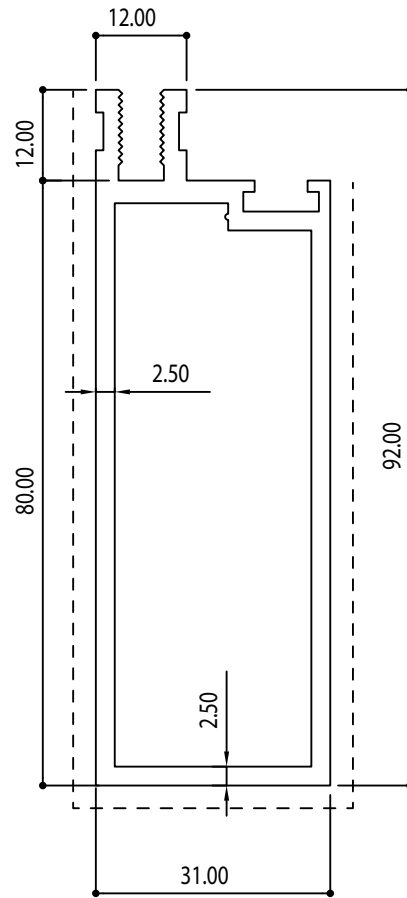
Curtain Wall



* For export, not recommended for GCC usage

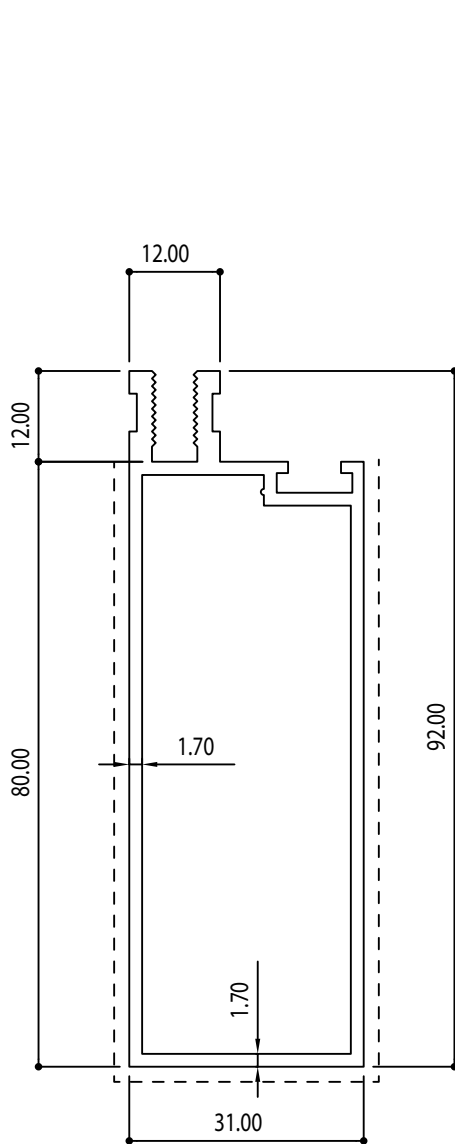


70048
(1.386 Kg/m)

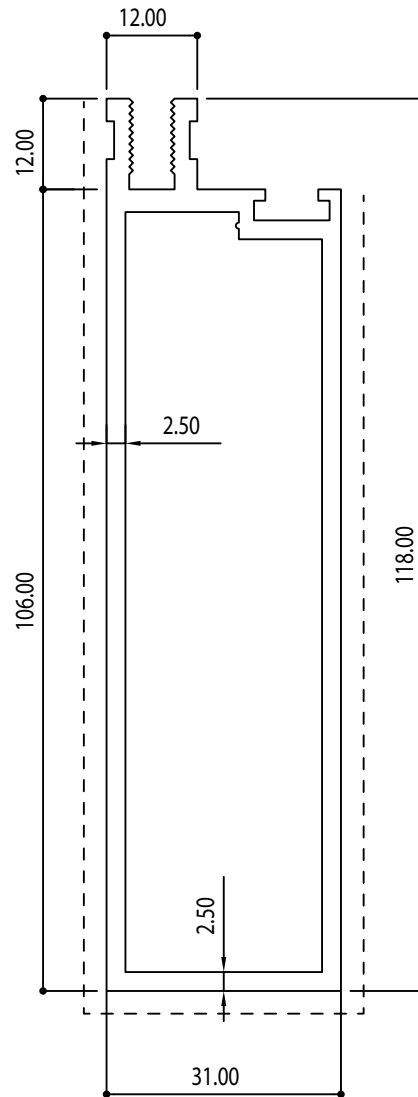


70005
(1.656 Kg/m)

* For export, not recommended for GCC usage

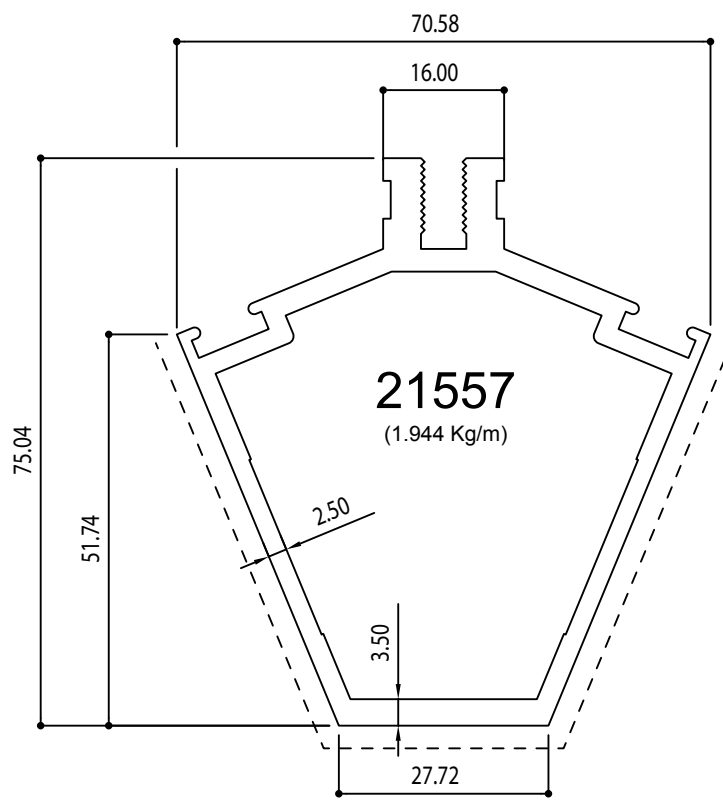


27160
(1.200 Kg/m)

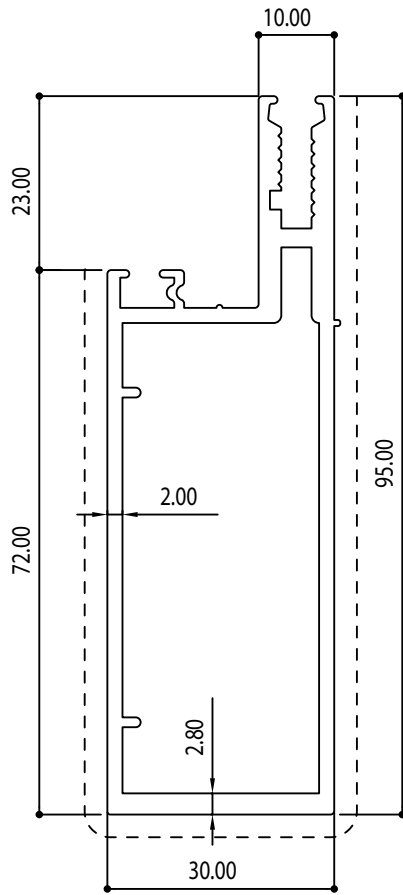


70006
(2.007 Kg/m)

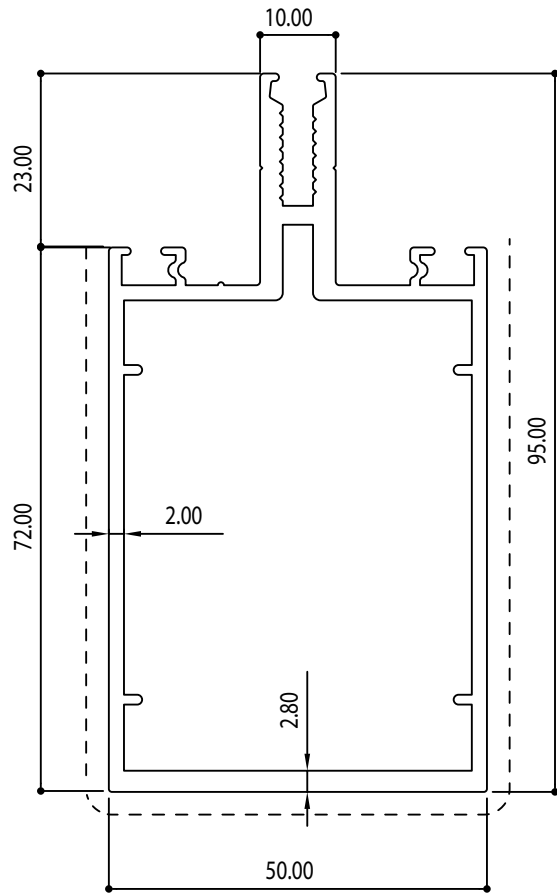
* For export, not recommended for GCC usage



* For export, not recommended for GCC usage



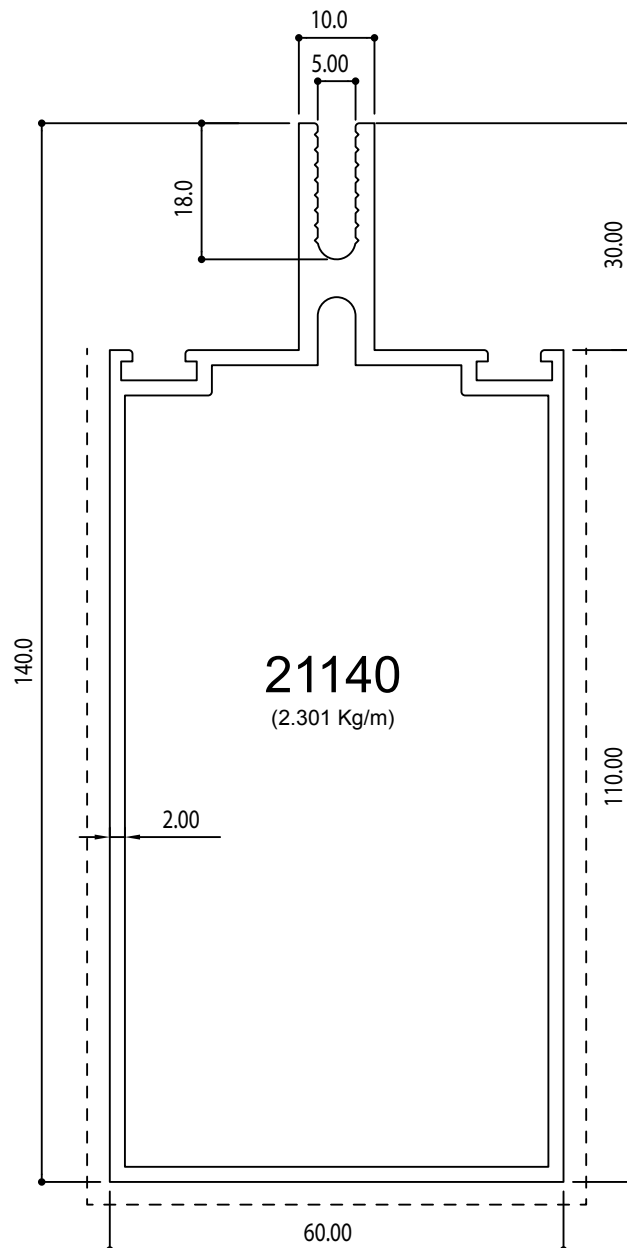
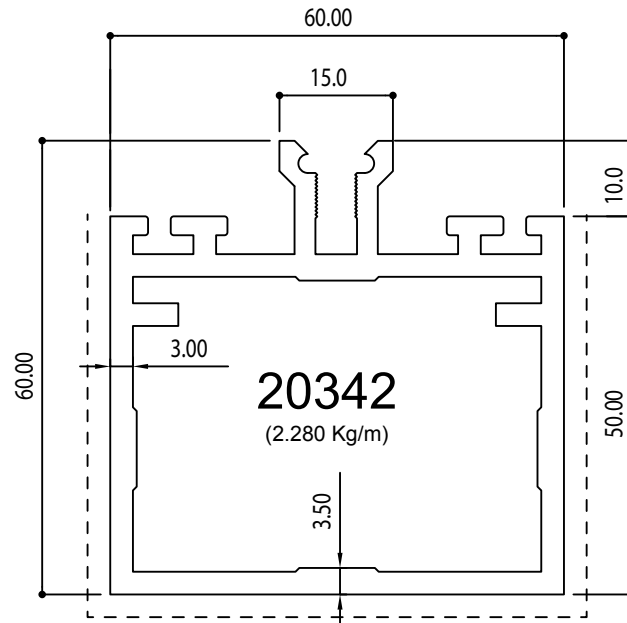
70026
(1.542 Kg/m)



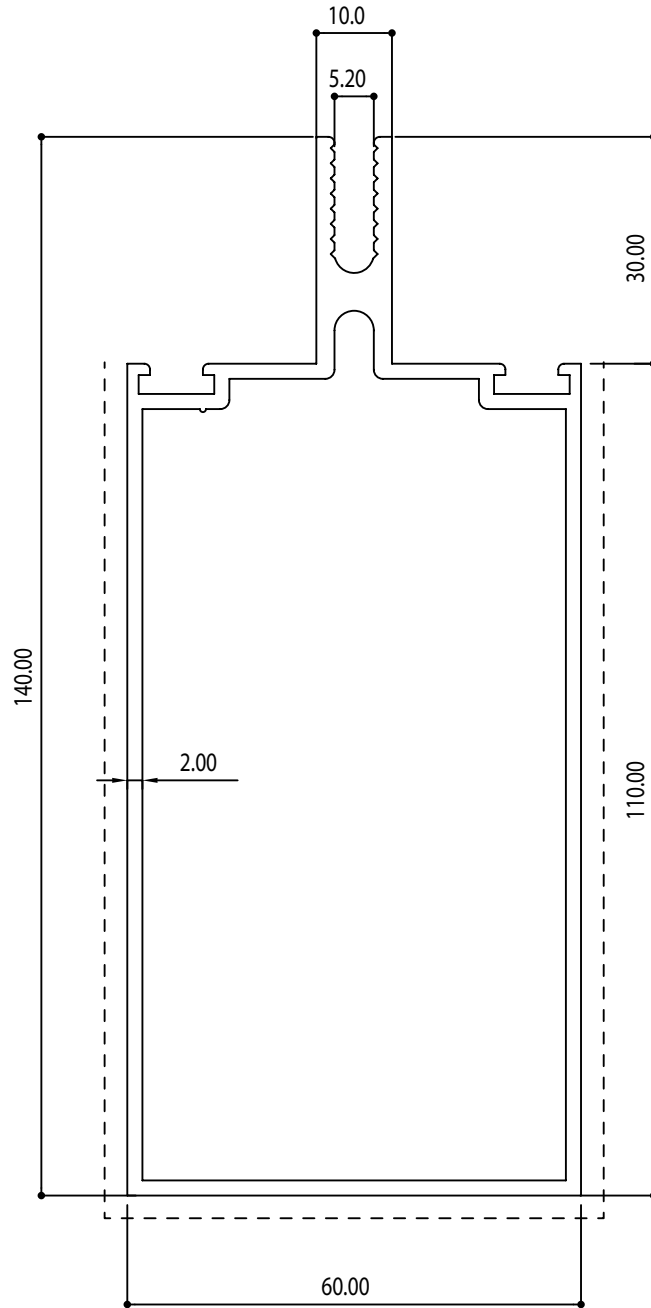
70027
(1.872 Kg/m)

* For export, not recommended for GCC usage

Curtain Wall



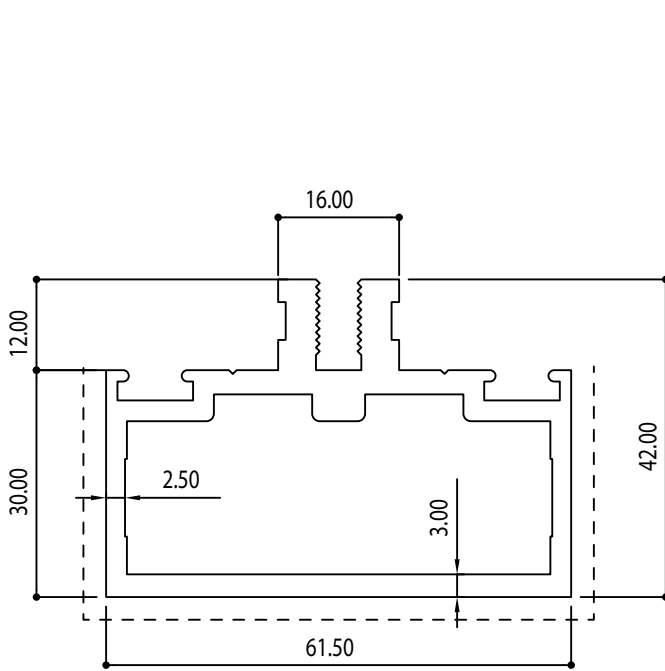
* For export, not recommended for GCC usage



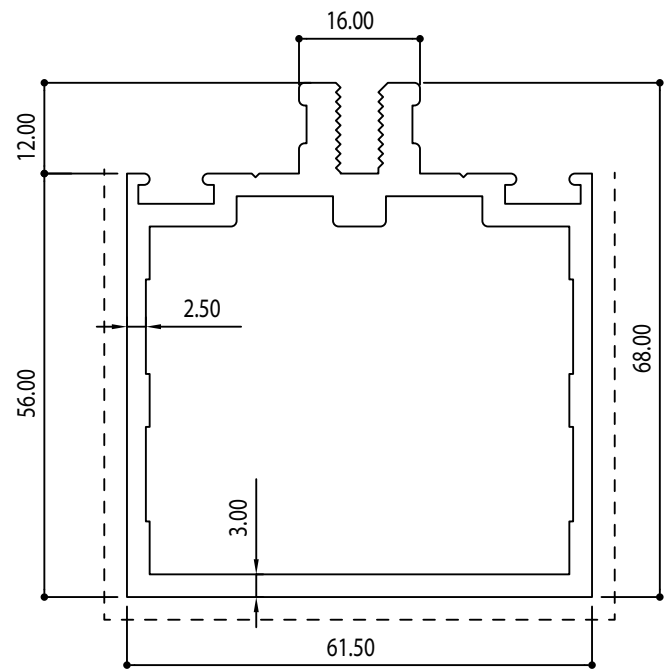
27450
(2.280 Kg/m)

* For export, not recommended for GCC usage

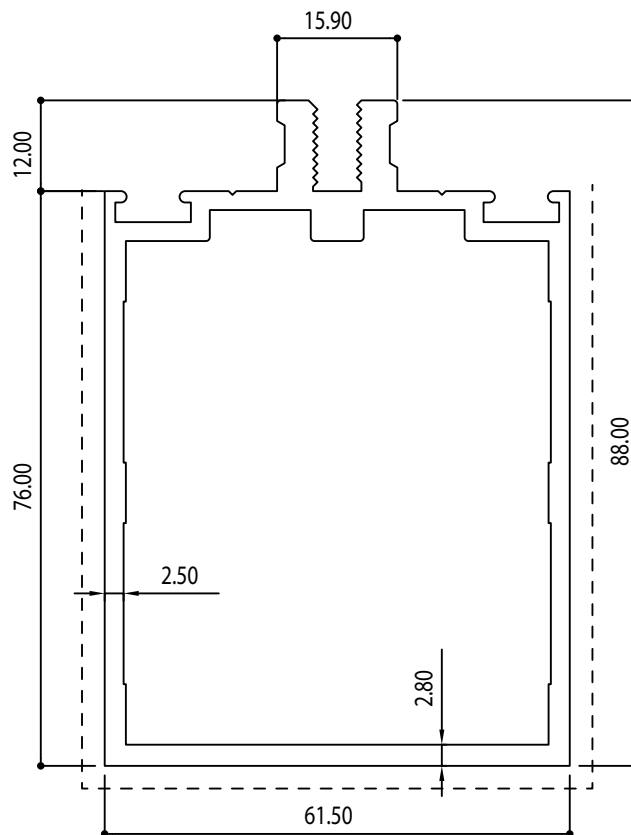
Curtain Wall



21558
(1.769 Kg/m)

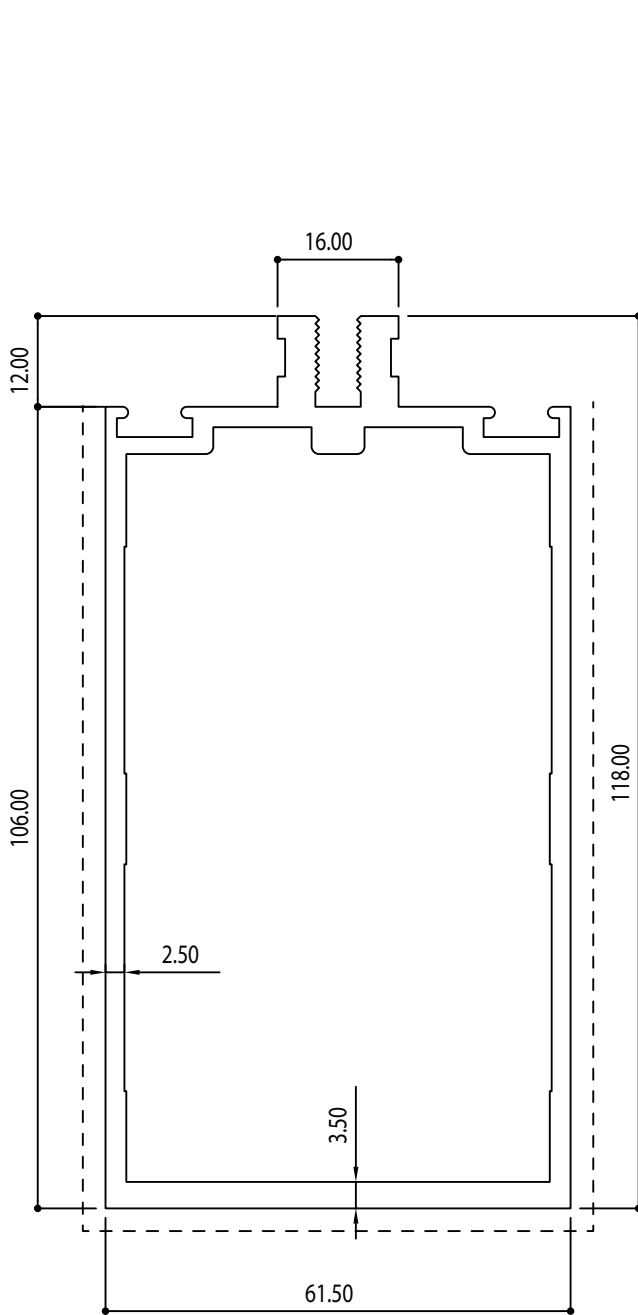


20721
(2.210 Kg/m)

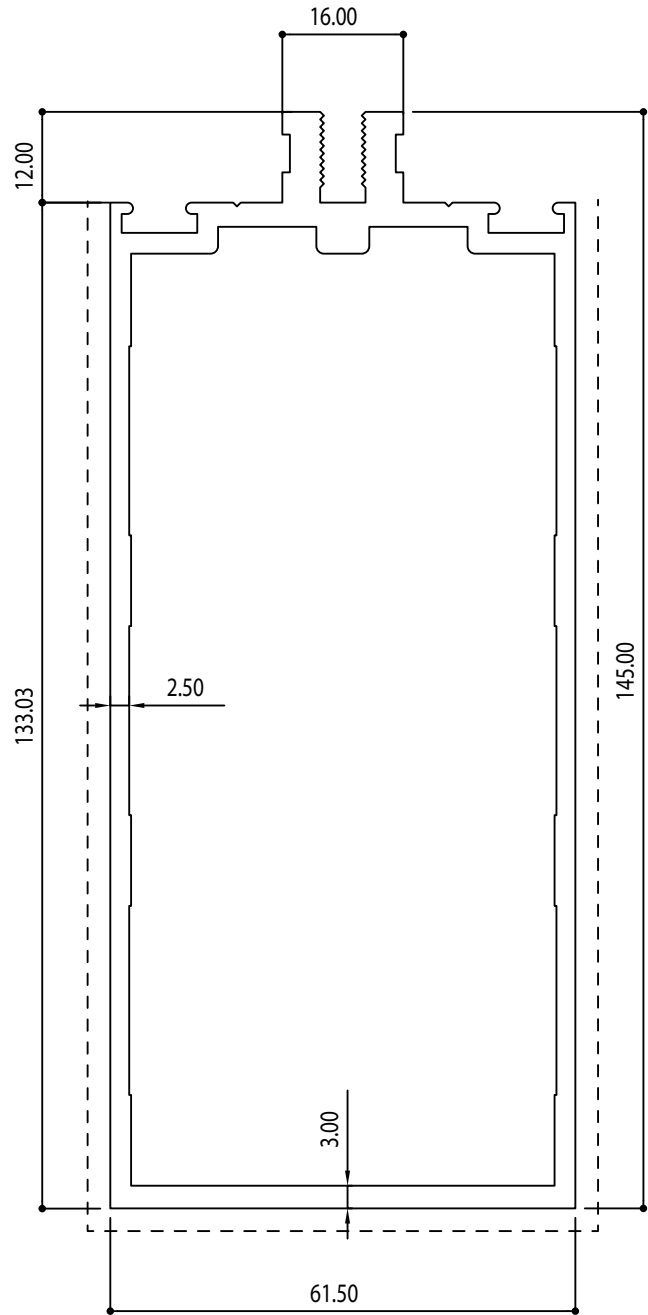


21681
(2.296 Kg/m)

* For export, not recommended for GCC usage



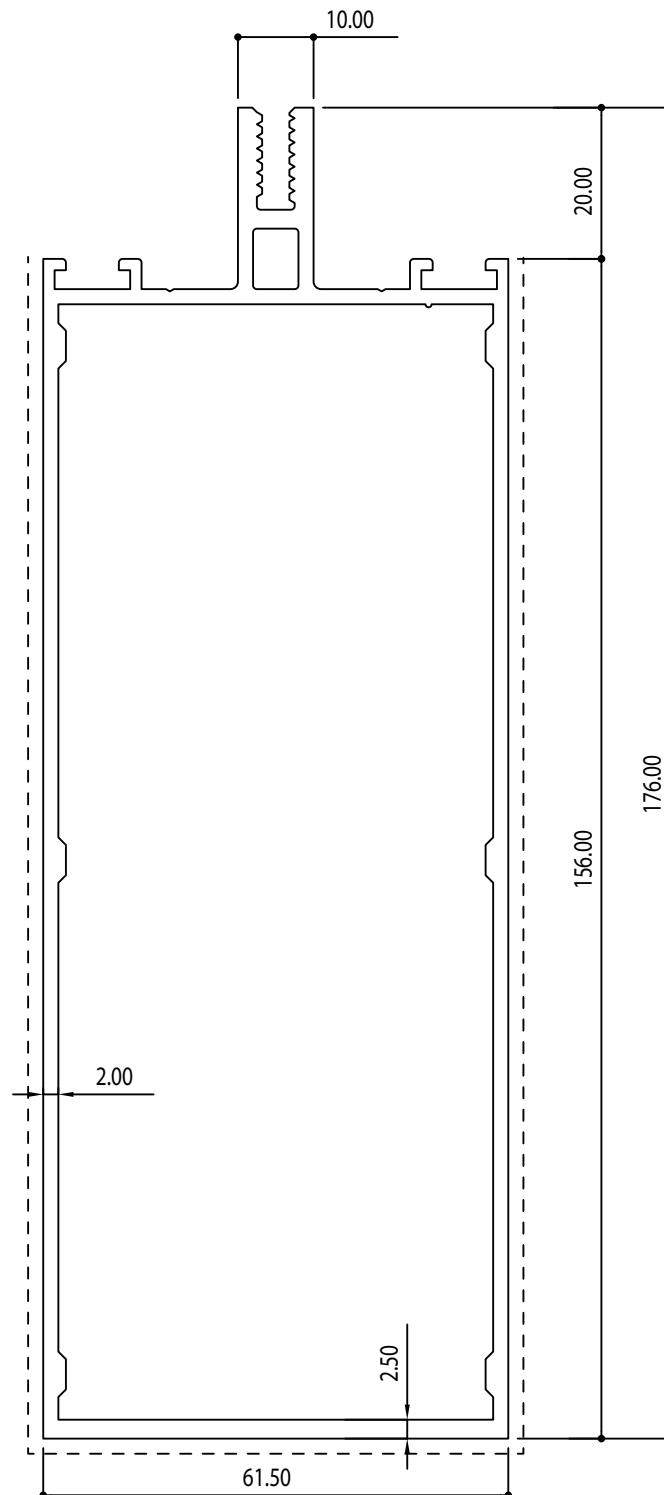
20117
(2.999 Kg/m)



20821
(3.212 Kg/m)

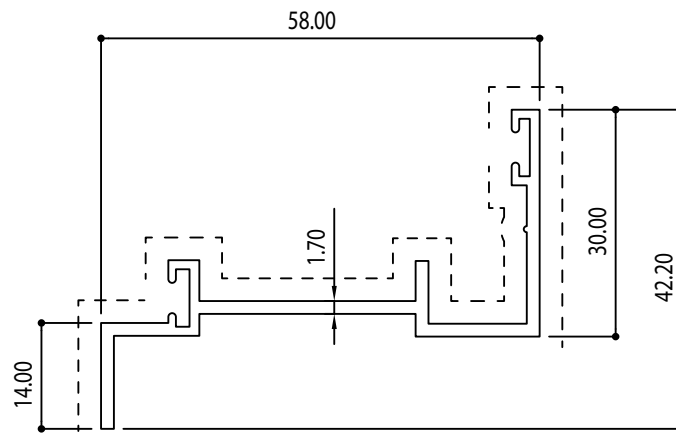
* For export, not recommended for GCC usage

Curtain Wall

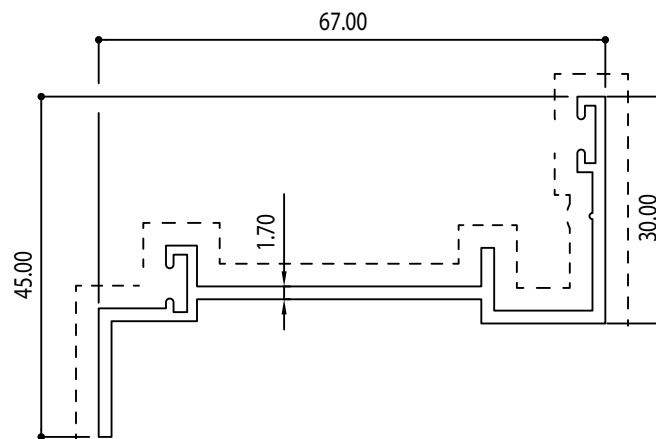


70046
(2.897 Kg/m)

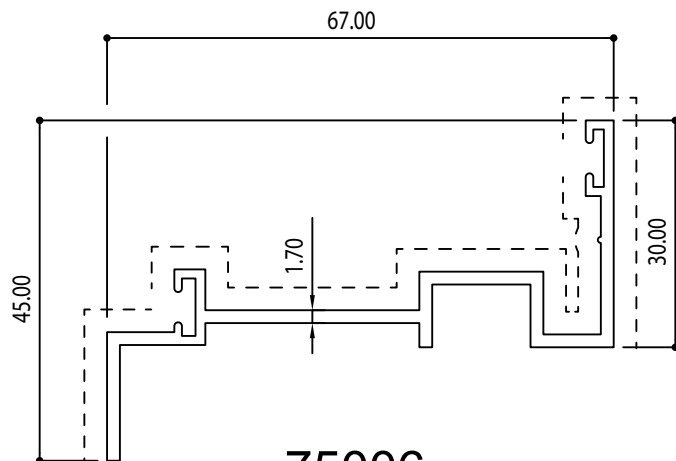
* For export, not recommended for GCC usage



75007
(0.550 Kg/m)



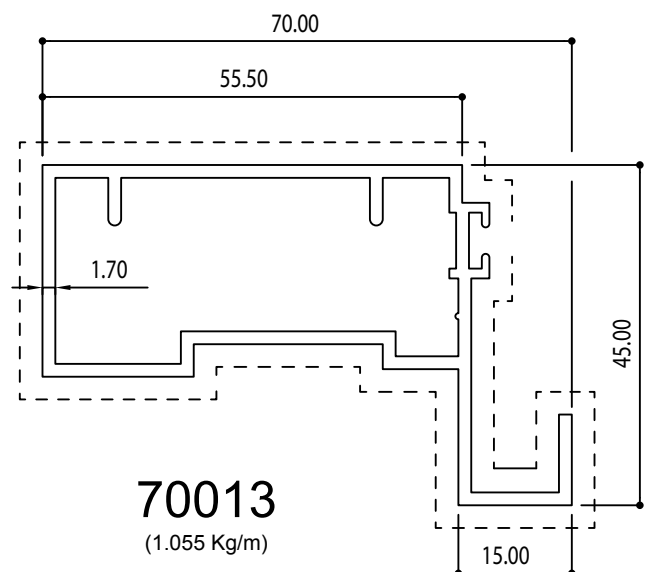
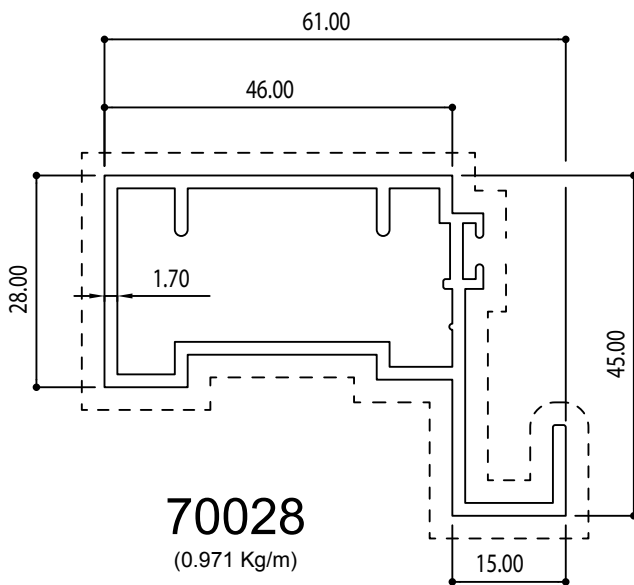
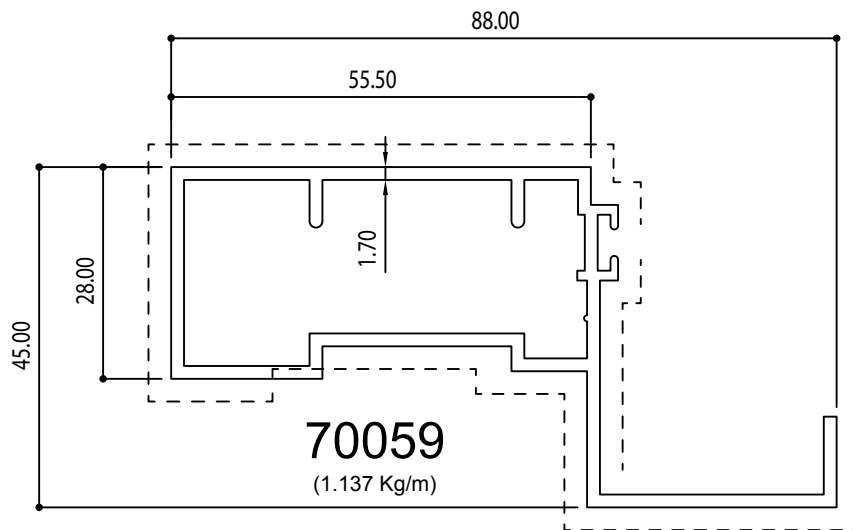
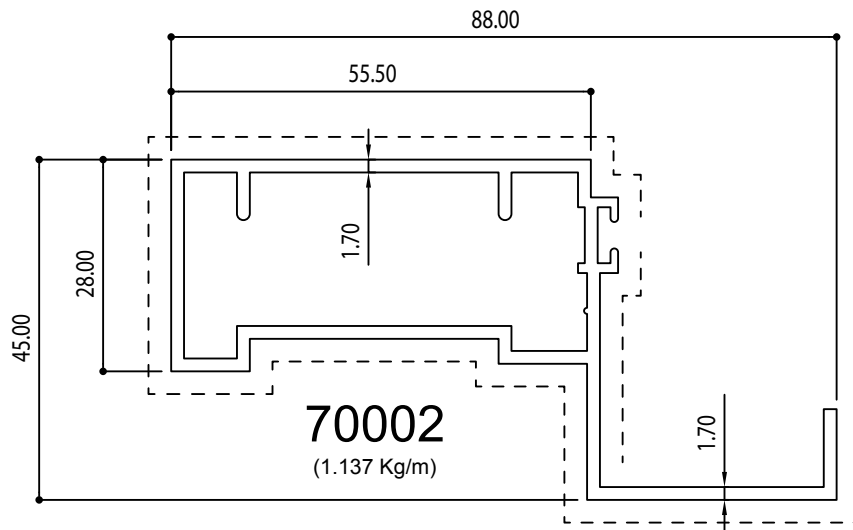
75001
(0.604 Kg/m)



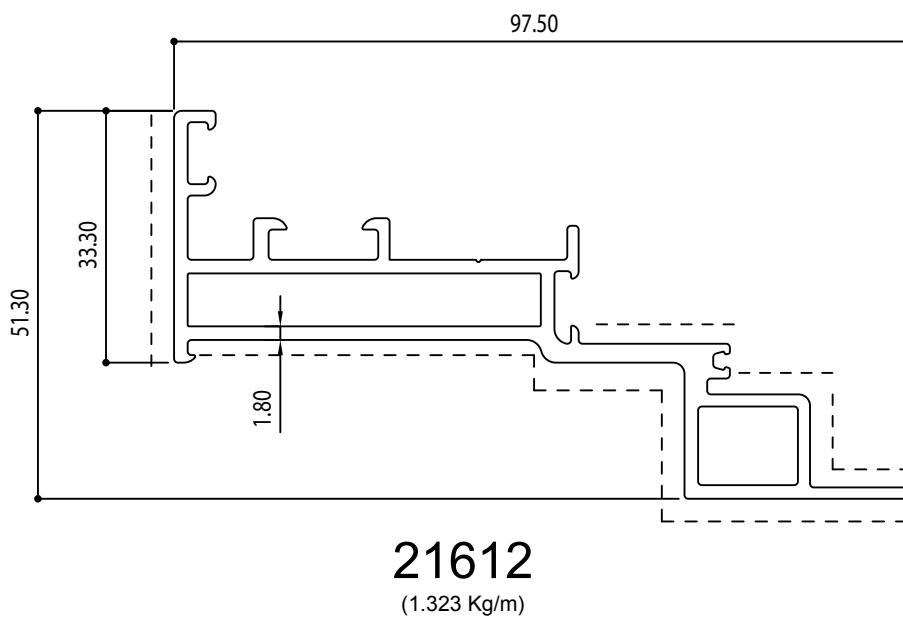
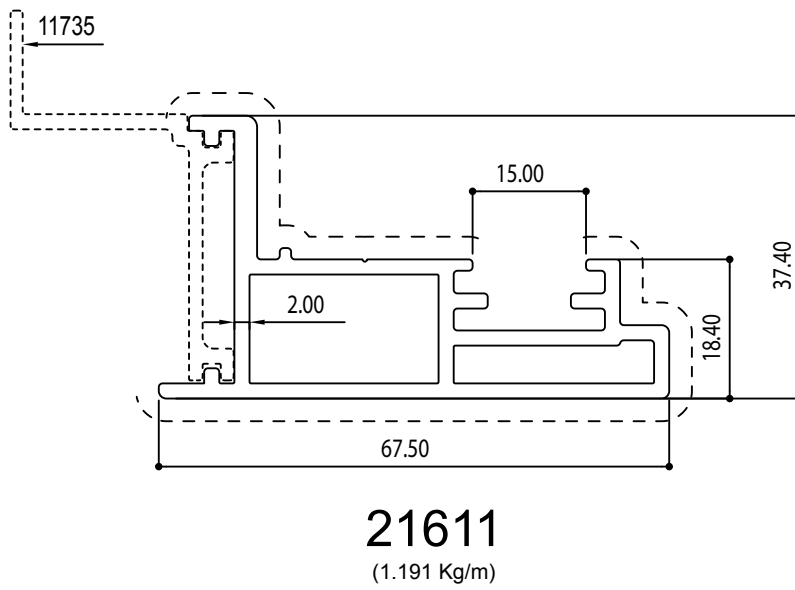
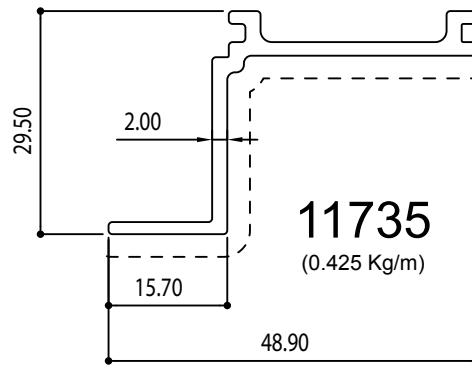
75006
(0.642 Kg/m)

* For export, not recommended for GCC usage

Curtain Wall

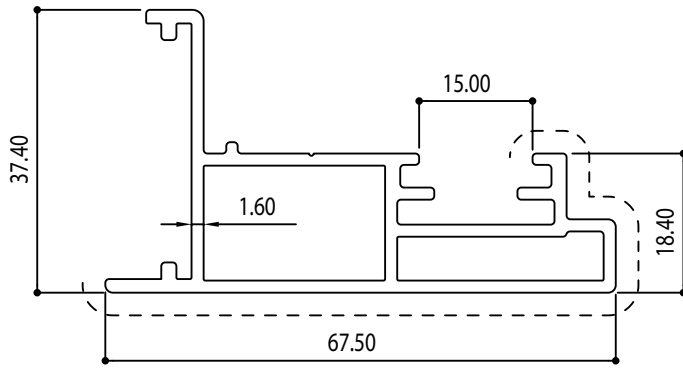


* For export, not recommended for GCC usage

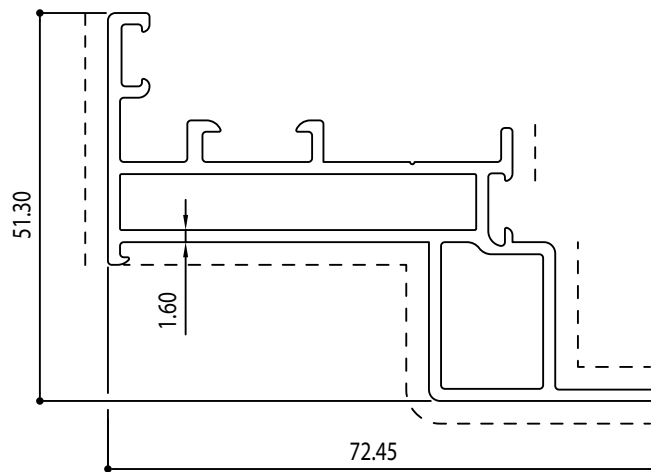


* For export, not recommended for GCC usage

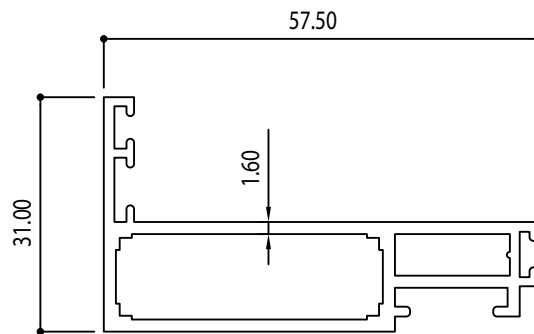
Curtain Wall



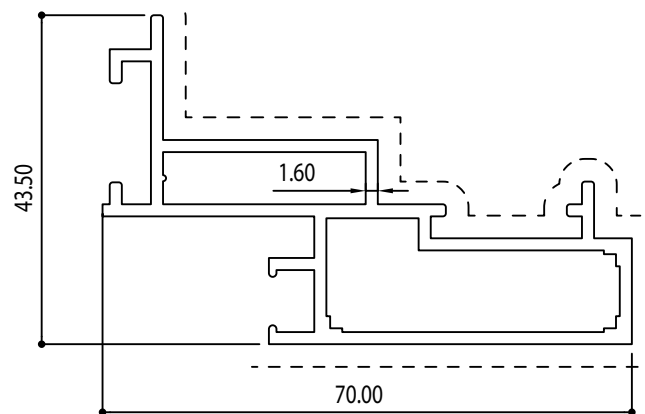
24246
(0.950 Kg/m)



24245
(1.070 Kg/m)



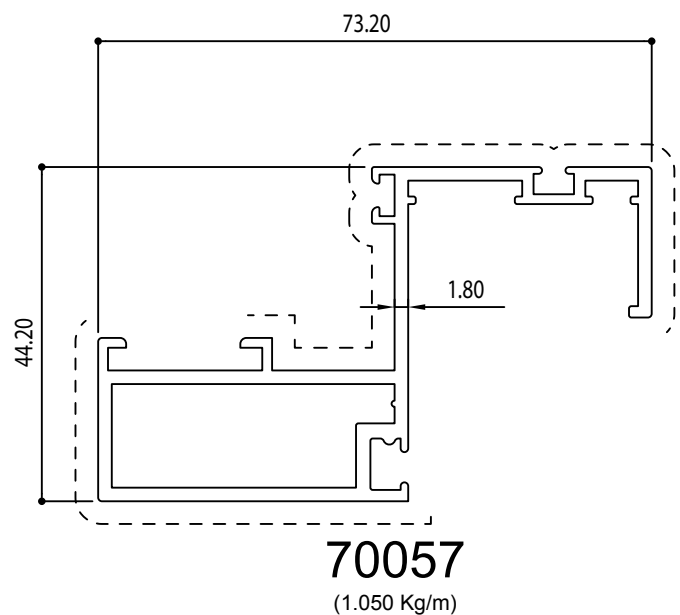
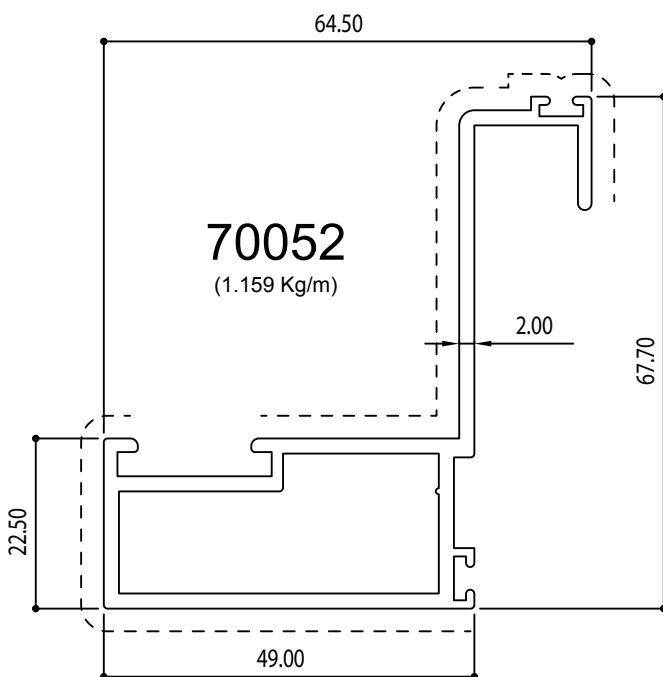
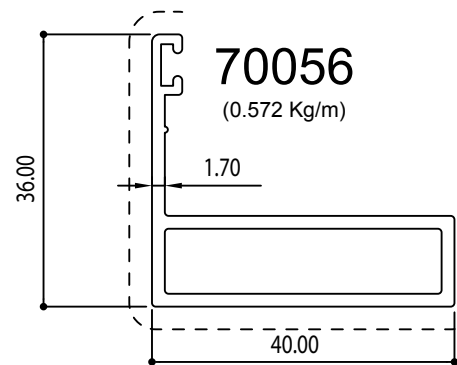
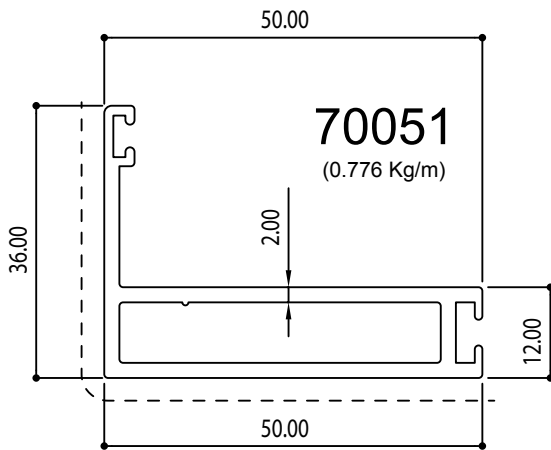
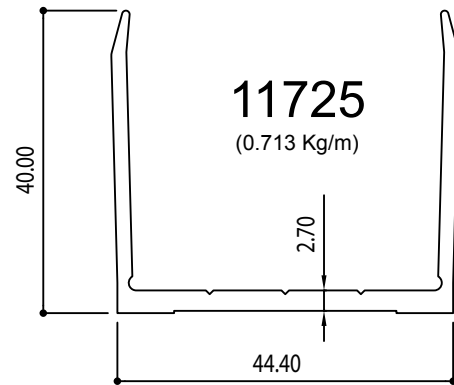
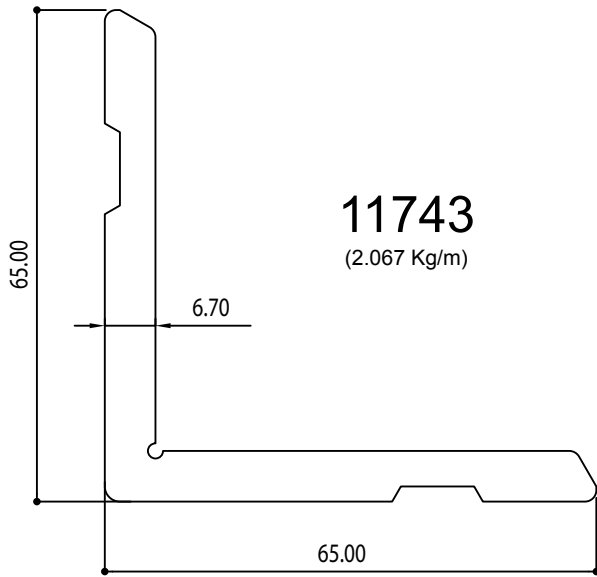
70034
(0.761 Kg/m)



70010
(1.054 Kg/m)

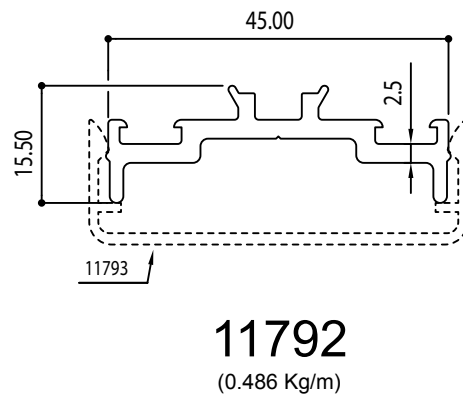
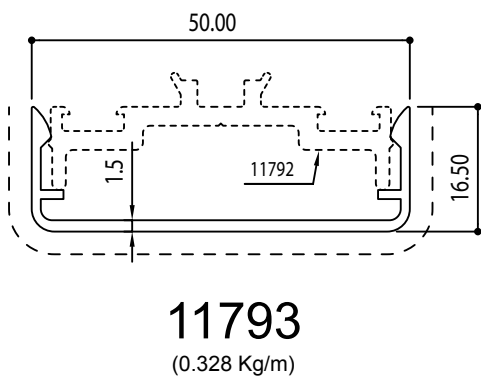
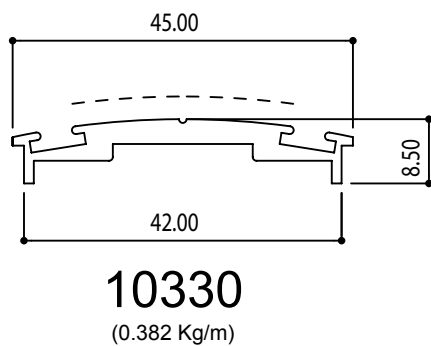
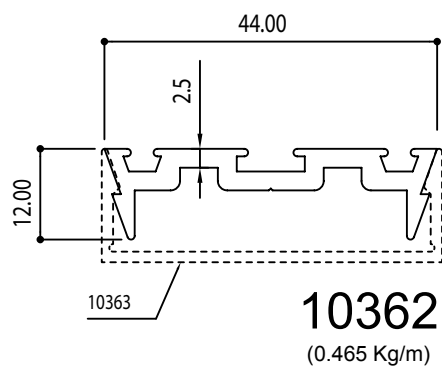
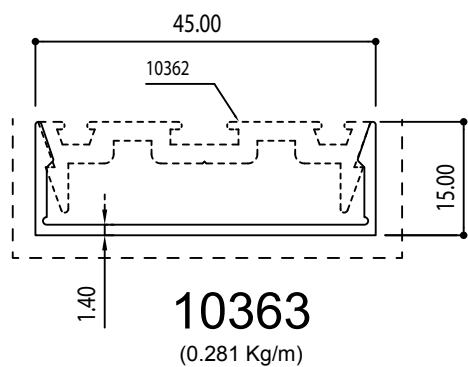
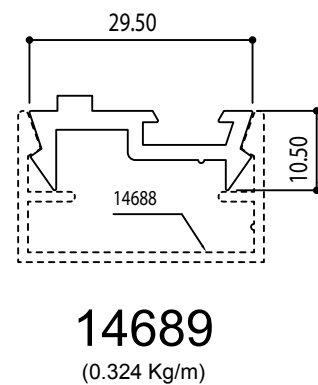
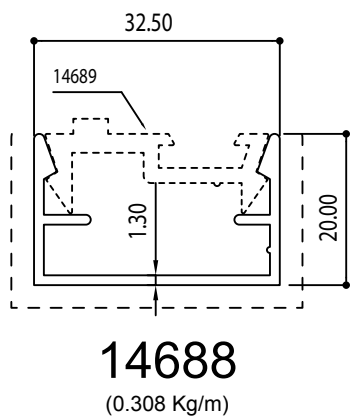
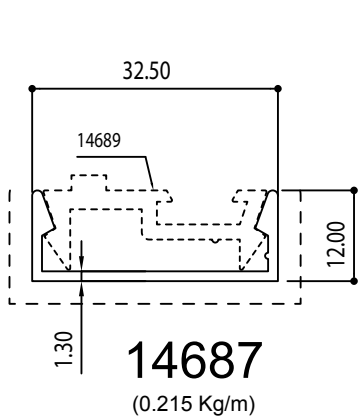
* For export, not recommended for GCC usage

Curtain Wall



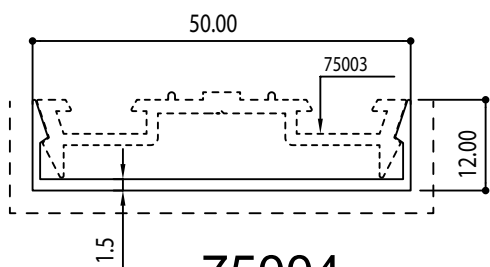
* For export, not recommended for GCC usage

Curtain Wall

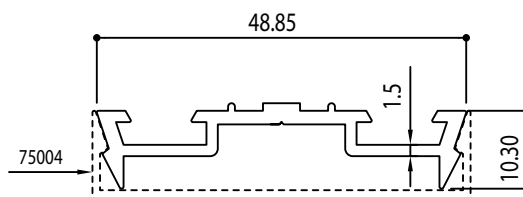


* For export, not recommended for GCC usage

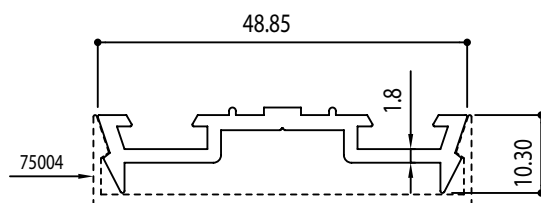
Curtain Wall



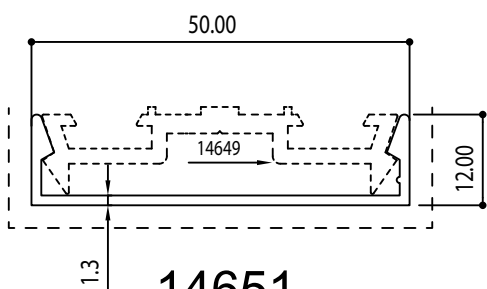
75004
(0.267 Kg/m)



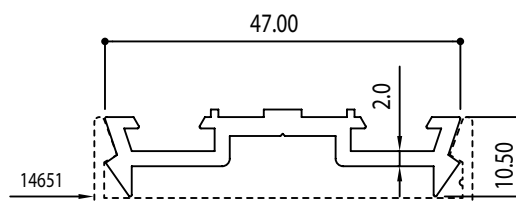
75003
(0.370 Kg/m)



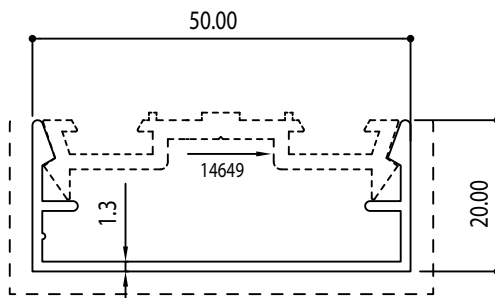
75005
(0.407 Kg/m)



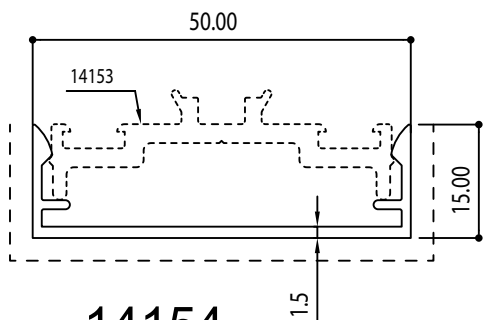
14651
(0.276 Kg/m)



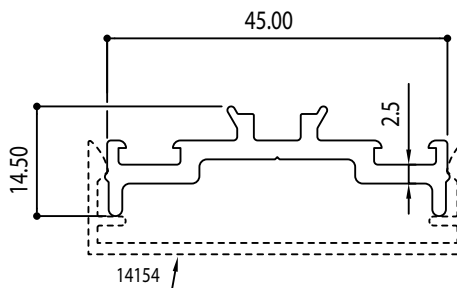
14649
(0.436 Kg/m)



14650
(0.364 Kg/m)



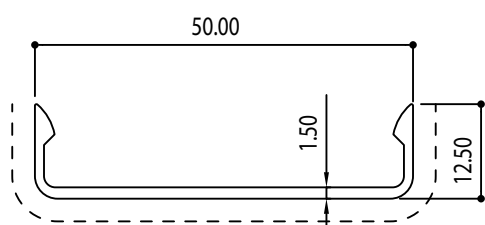
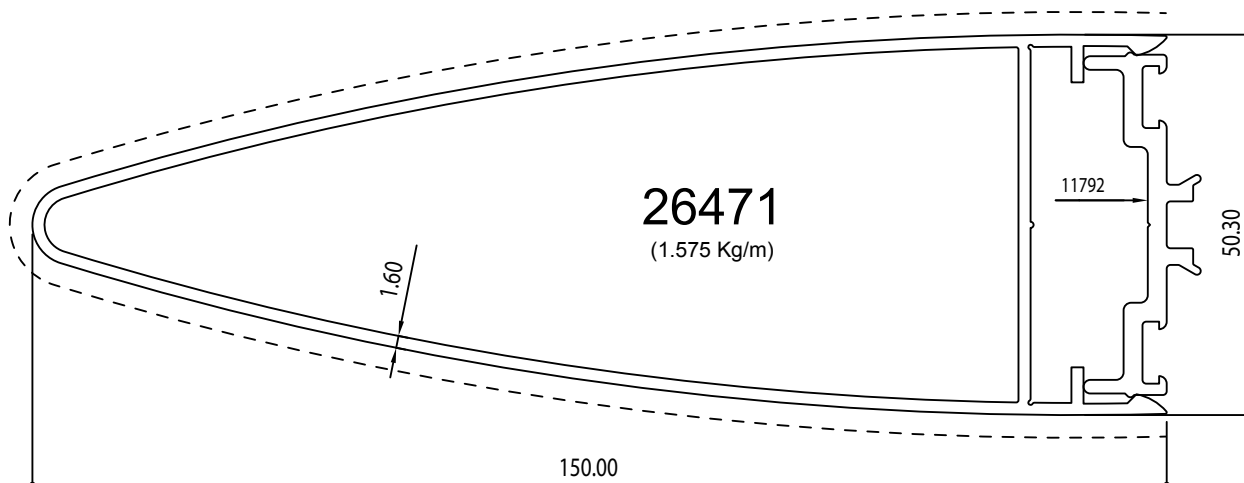
14154
(0.330 Kg/m)



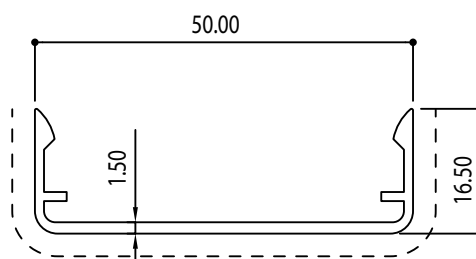
14153
(0.476 Kg/m)

* For export, not recommended for GCC usage

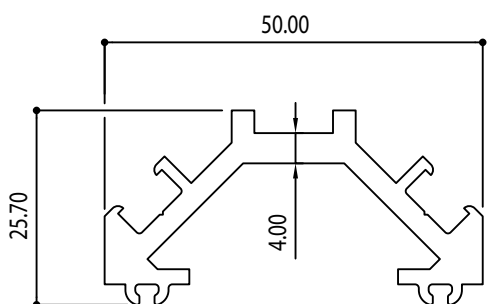
Curtain Wall



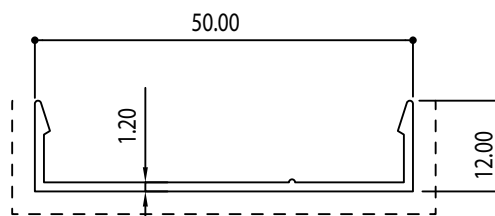
11809
(0.283 Kg/m)



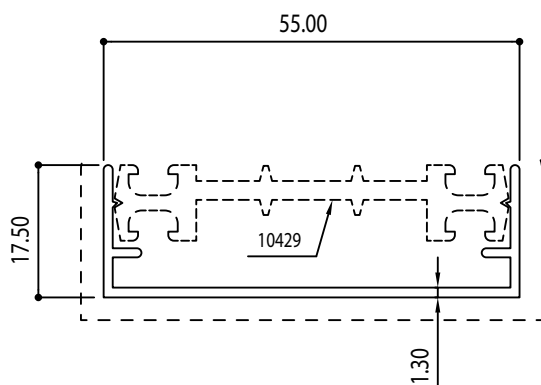
11793
(0.328 Kg/m)



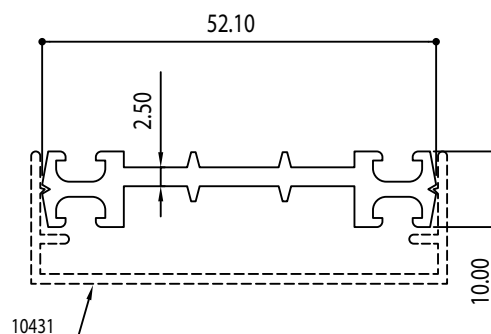
14152
(0.893 Kg/m)



14719
(0.236 Kg/m)



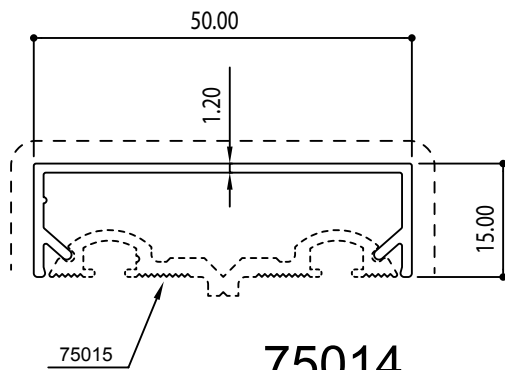
10431
(0.324 Kg/m)



10429
(0.554 Kg/m)

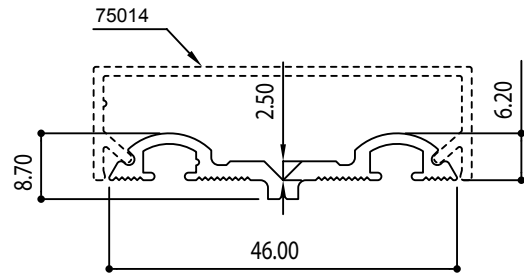
* For export, not recommended for GCC usage

Curtain Wall



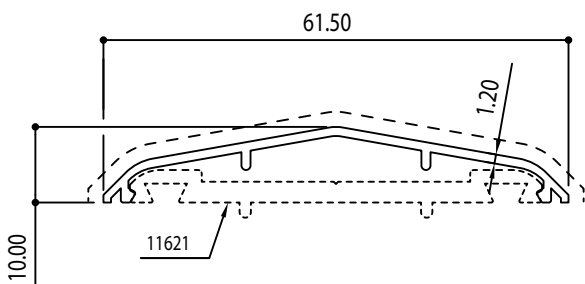
75014

(0.292 Kg/m)



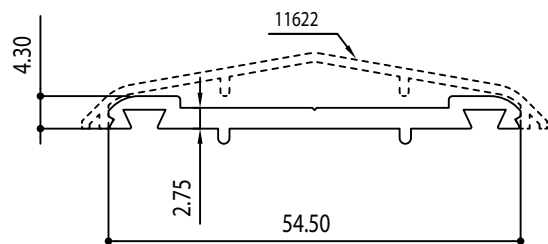
75015

(0.313 Kg/m)



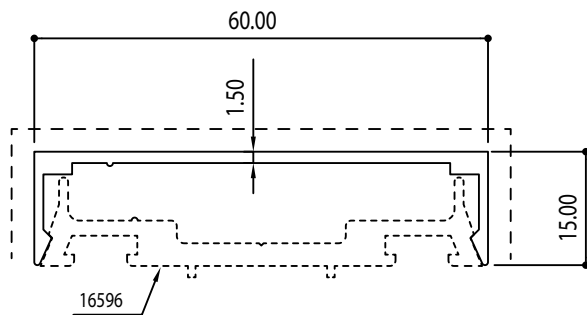
11622

(0.241 Kg/m)



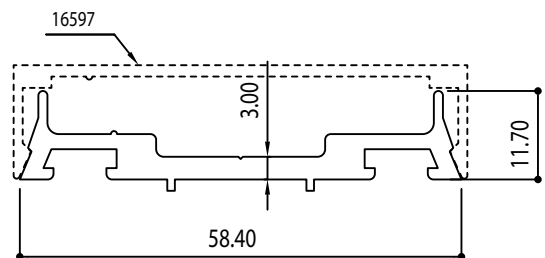
11621

(0.422 Kg/m)



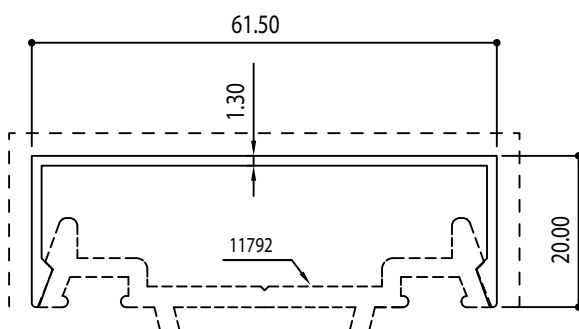
16597

(0.370 Kg/m)



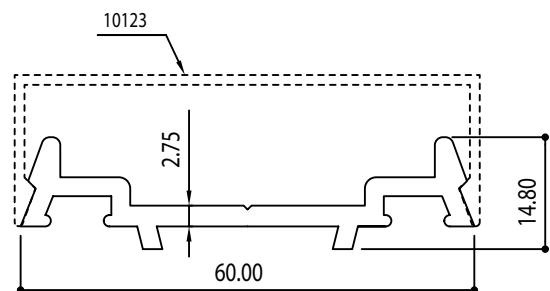
16596

(0.603 Kg/m)



10123

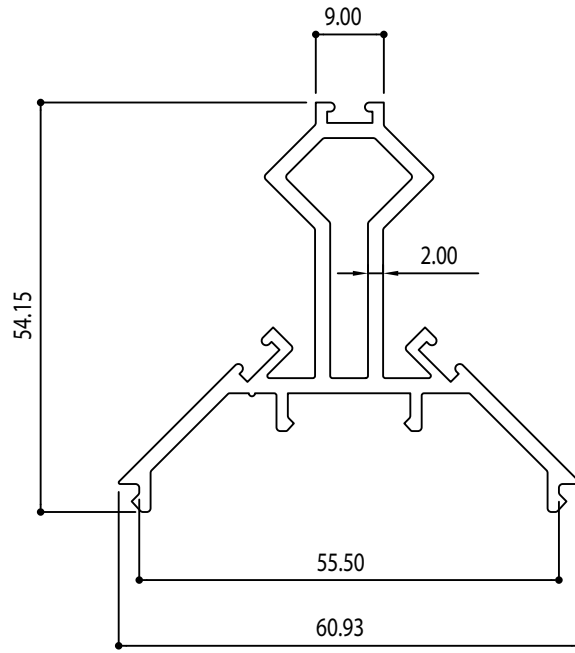
(0.411 Kg/m)



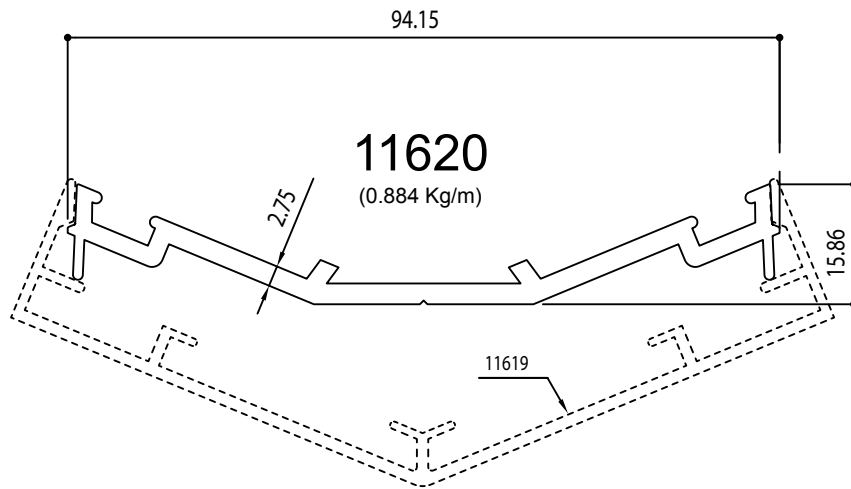
10124

(0.668 Kg/m)

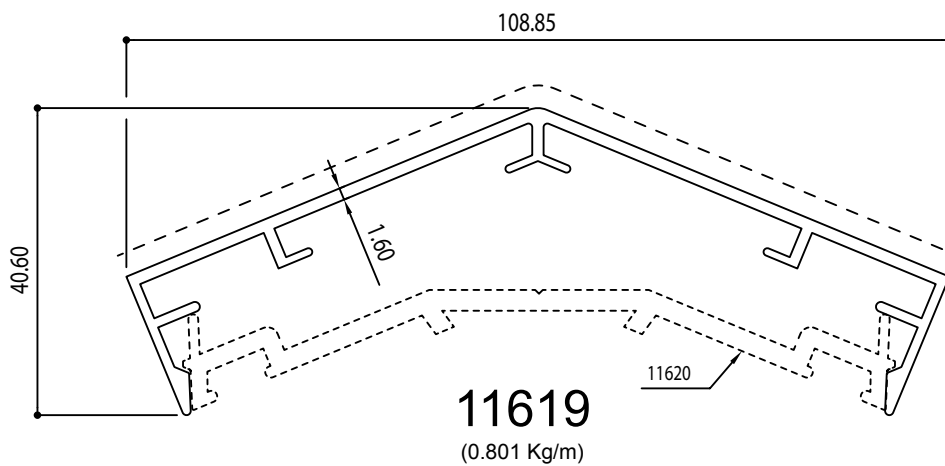
* For export, not recommended for GCC usage



70008
(1.024 Kg/m)



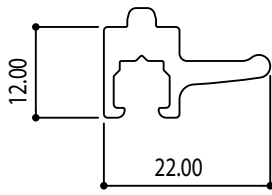
11620
(0.884 Kg/m)



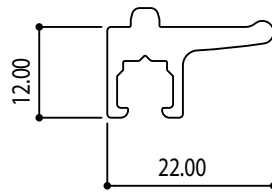
11619
(0.801 Kg/m)

* For export, not recommended for GCC usage

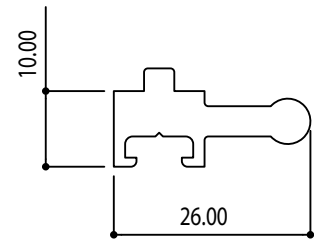
Curtain Wall



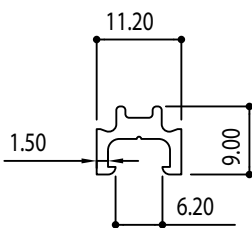
13303
(0.305 Kg/m)



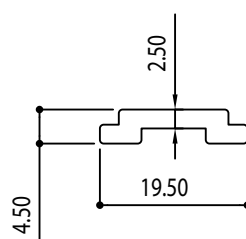
13304
(0.305 Kg/m)



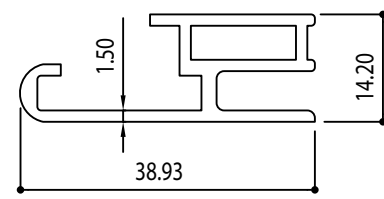
14239
(0.434 Kg/m)



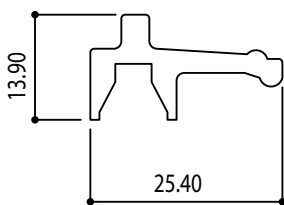
11726
(0.116 Kg/m)



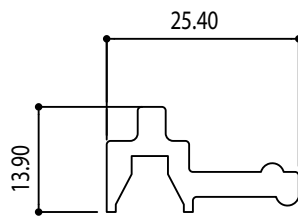
11225
(0.163 Kg/m)



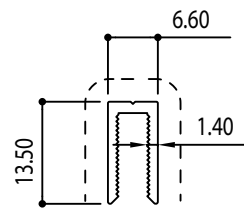
21579
(0.423 Kg/m)



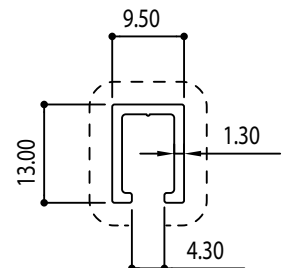
11678
(0.318 Kg/m)



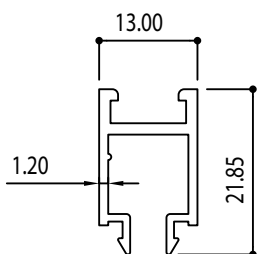
11679
(0.338 Kg/m)



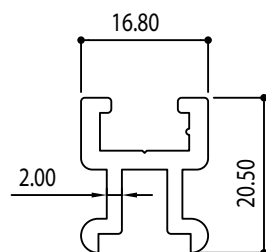
75013
(0.105 Kg/m)



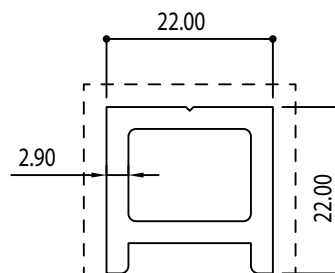
75016
(0.125 Kg/m)



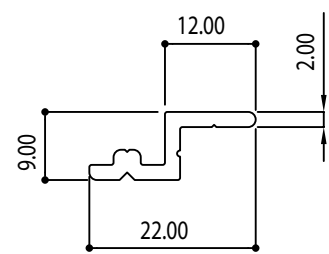
14647
(0.215 Kg/m)



14648
(0.369 Kg/m)



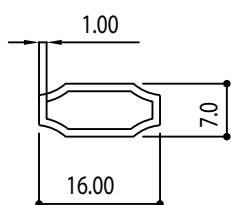
20720
(0.600 Kg/m)



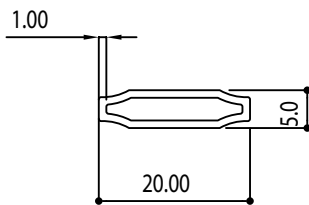
75012
(0.169 Kg/m)

* For export, not recommended for GCC usage

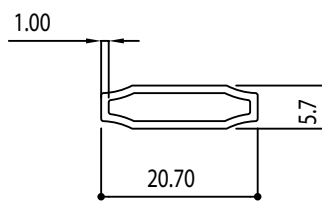
Curtain Wall



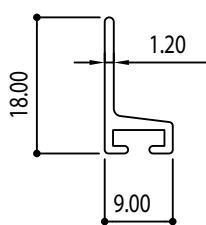
21548
(0.102 Kg/m)



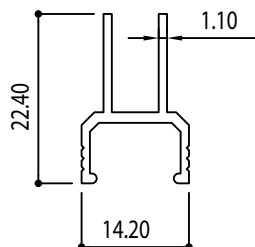
21549
(0.116 Kg/m)



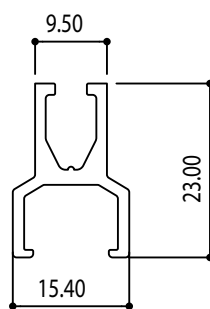
22170
(0.123 Kg/m)



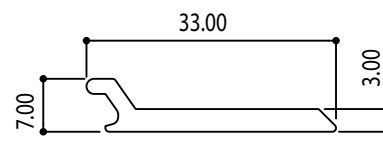
11387
(0.108 Kg/m)



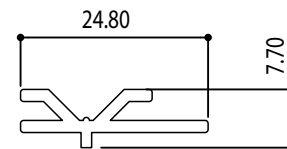
11867
(0.179 Kg/m)



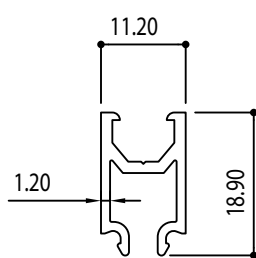
75008
(0.268 Kg/m)



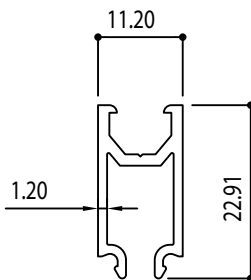
11730
(0.267 Kg/m)



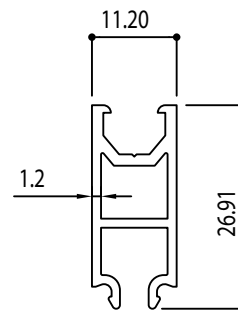
75009
(0.184 Kg/m)



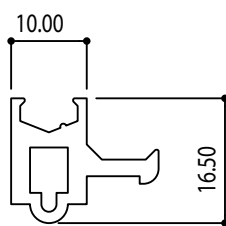
11727
(0.191 Kg/m)



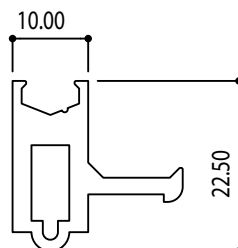
11724
(0.217 Kg/m)



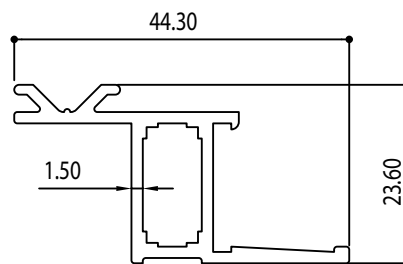
21731
(0.272 Kg/m)



70032
(0.307 Kg/m)



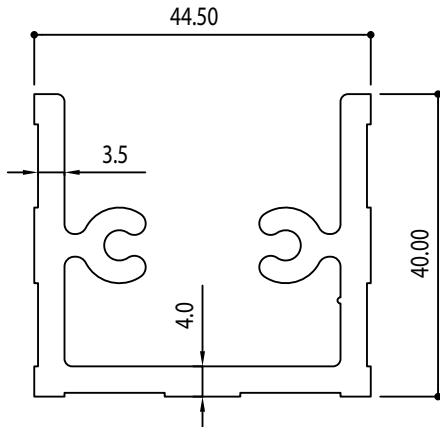
70031
(0.431 Kg/m)



70033
(0.461 Kg/m)

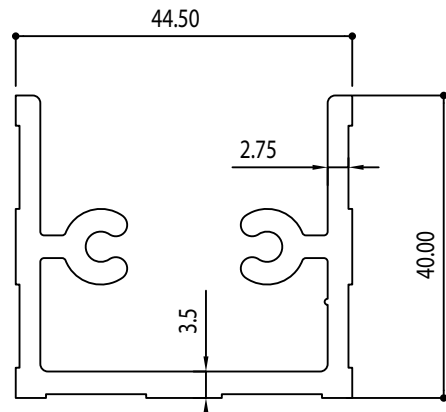
* For export, not recommended for GCC usage

Curtain Wall



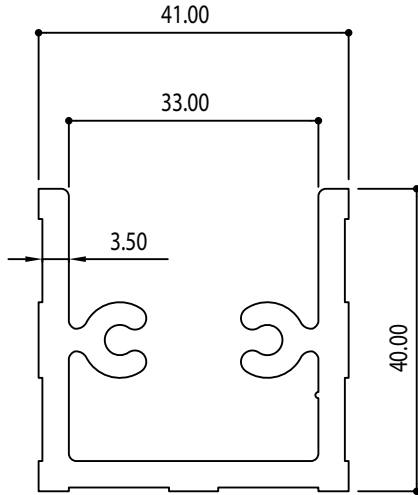
14646

(1.492 Kg/m)
41.00



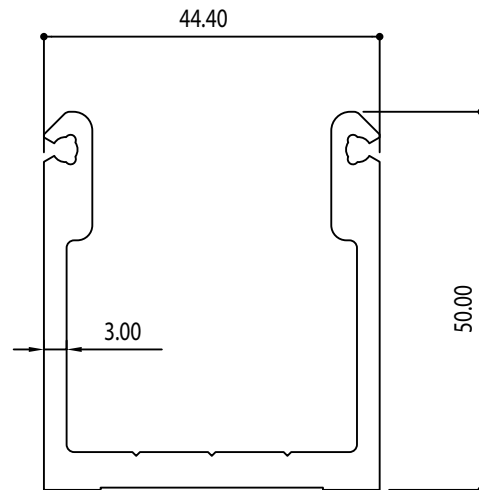
75002

(1.302 Kg/m)



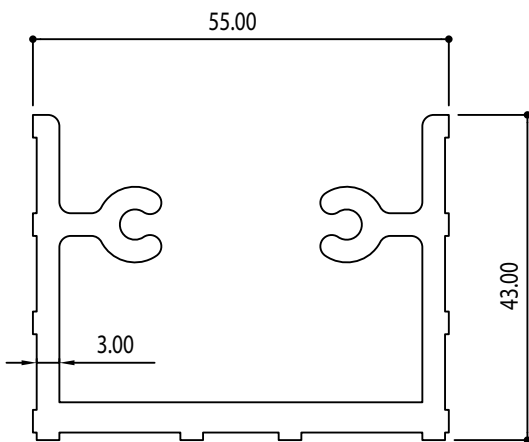
75011

(1.436 Kg/m)



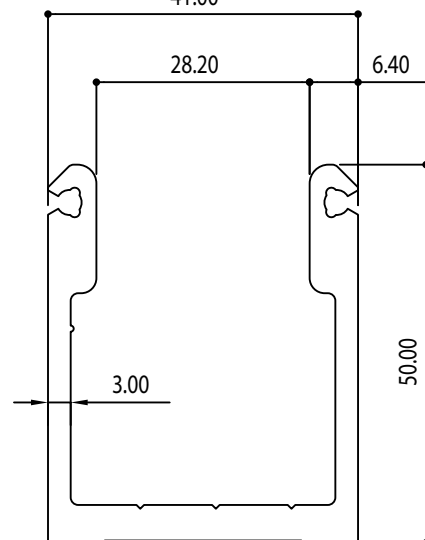
11779

(1.512 Kg/m)
41.00



11052

(1.635 Kg/m)

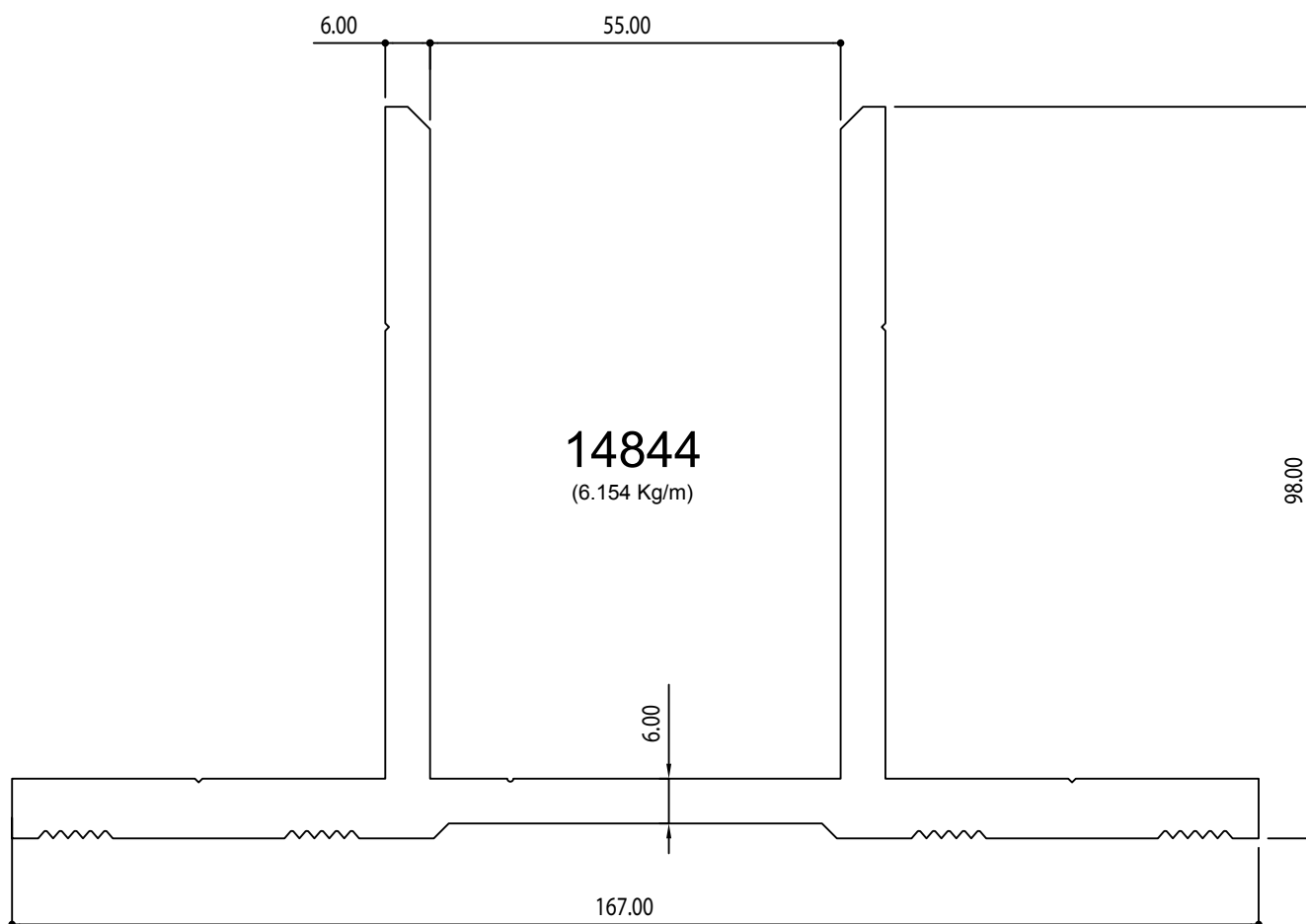
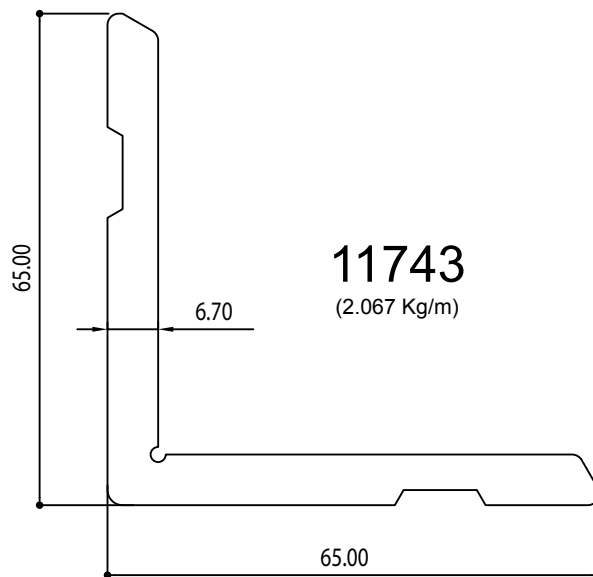
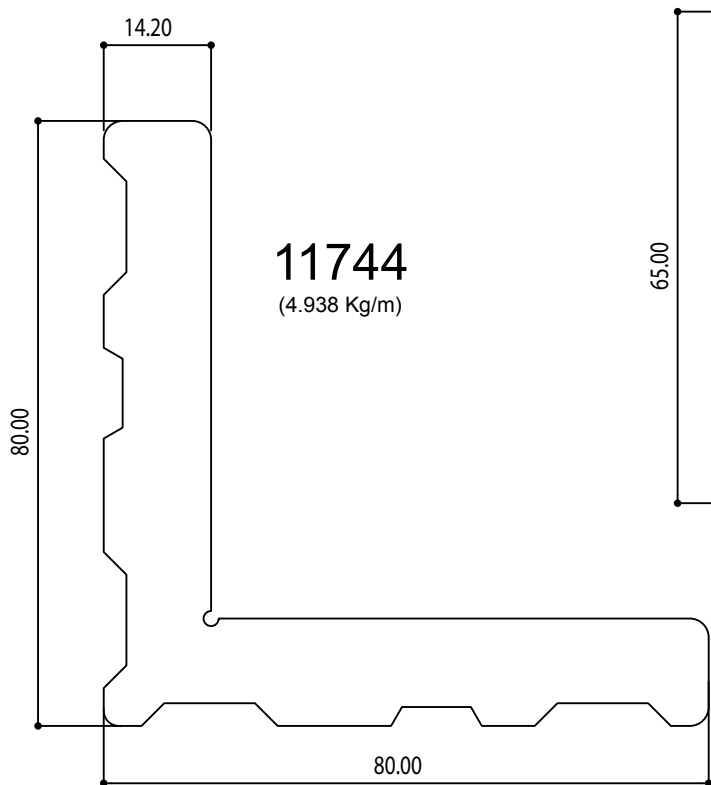


75010

(1.469 Kg/m)

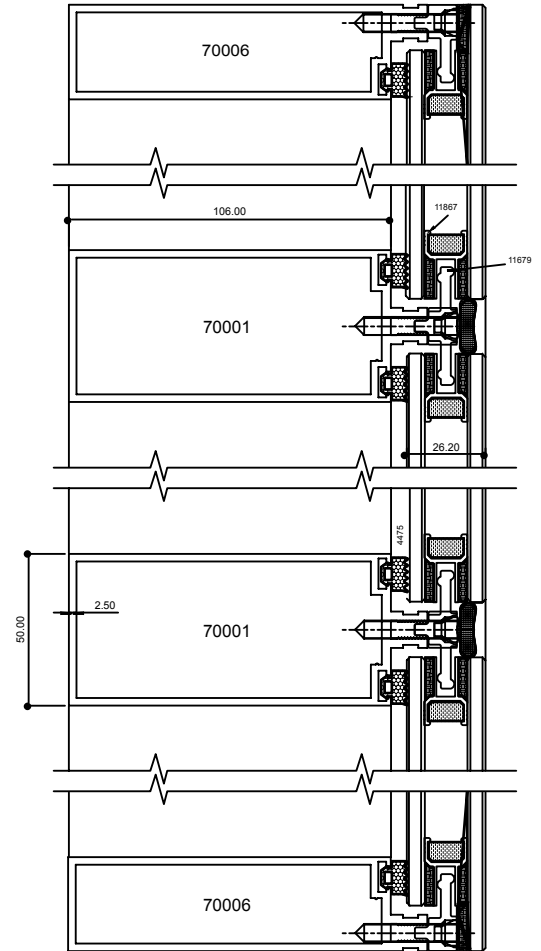
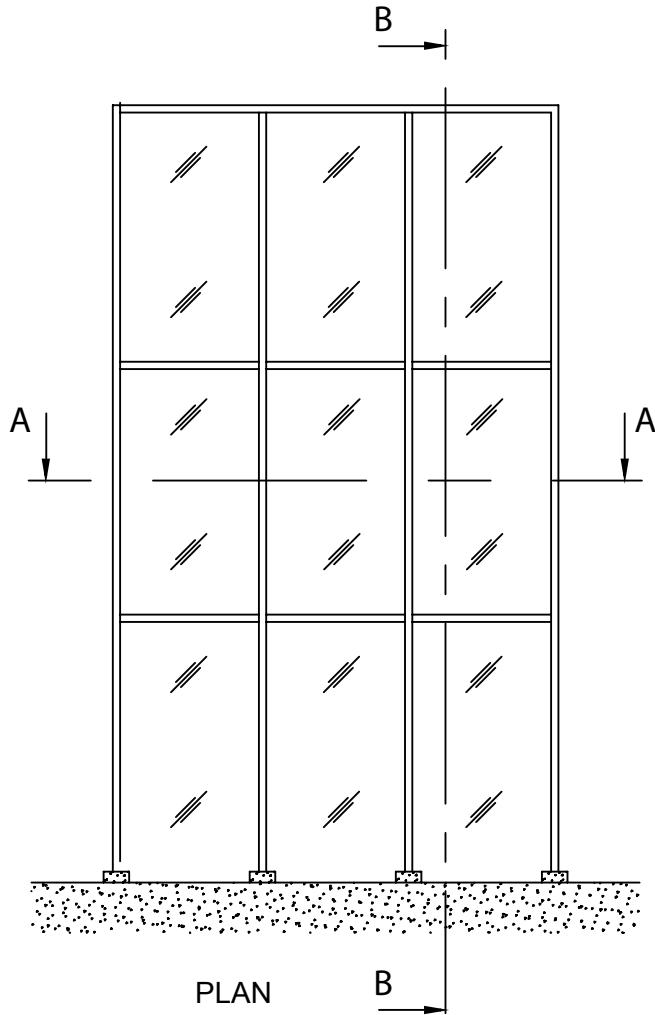
* For export, not recommended for GCC usage

Curtain Wall

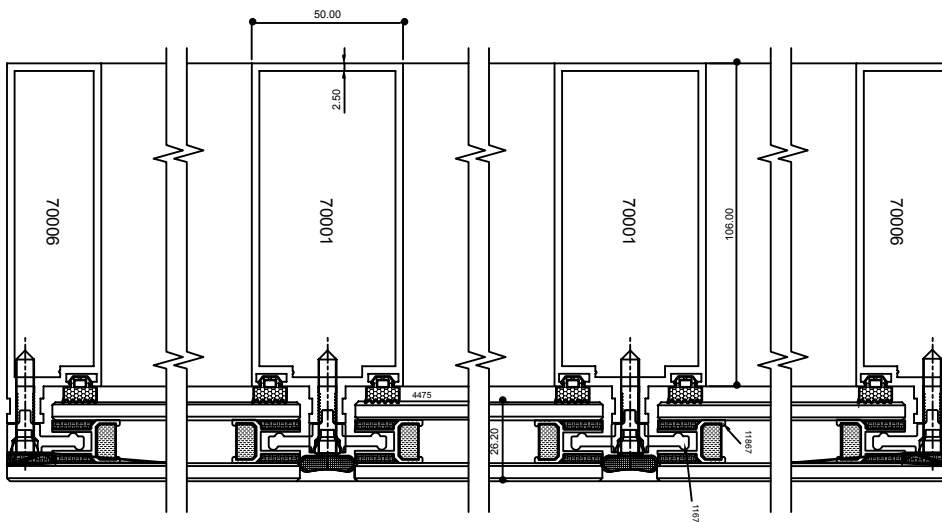


* For export, not recommended for GCC usage

Curtain Wall System



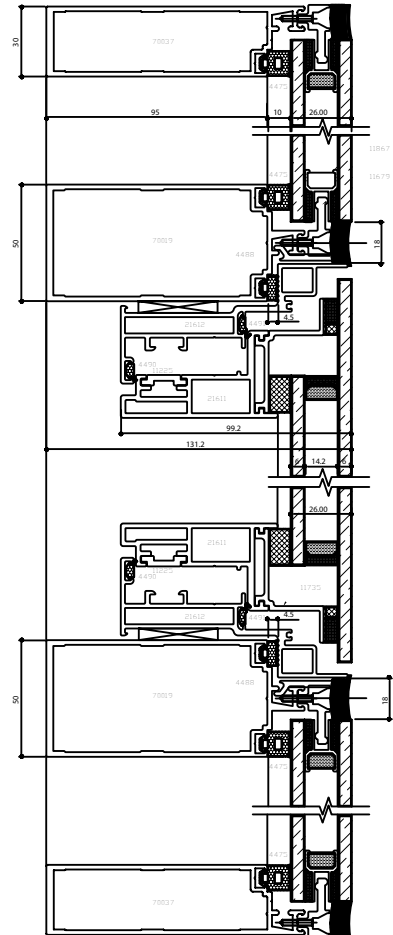
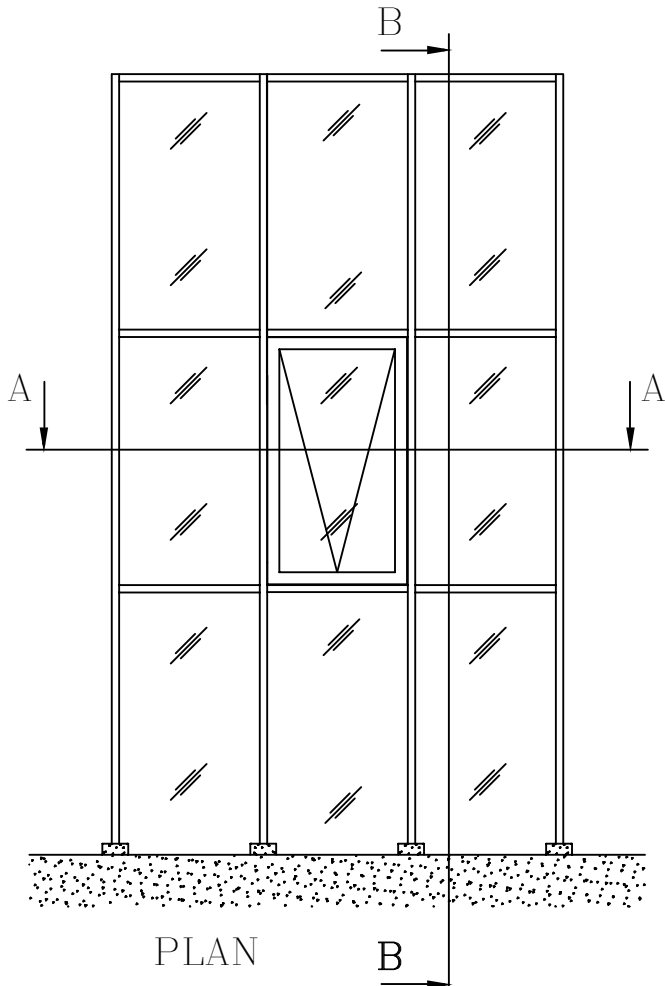
SECTION B-B



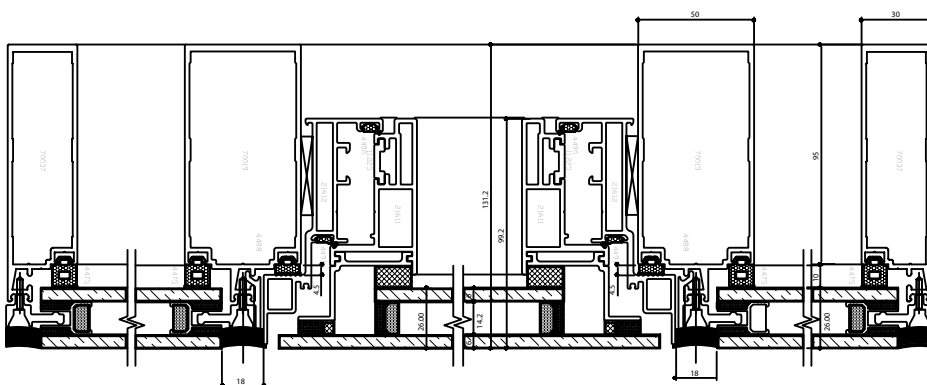
SECTION A-A

PROFILES		
Description	Shape	Section No.
Mullion		70001
Half Mullion		70006
Glass Adaptor		11867
Adaptor		11679

CURTAIN WALL AND OPENABLE WINDOW



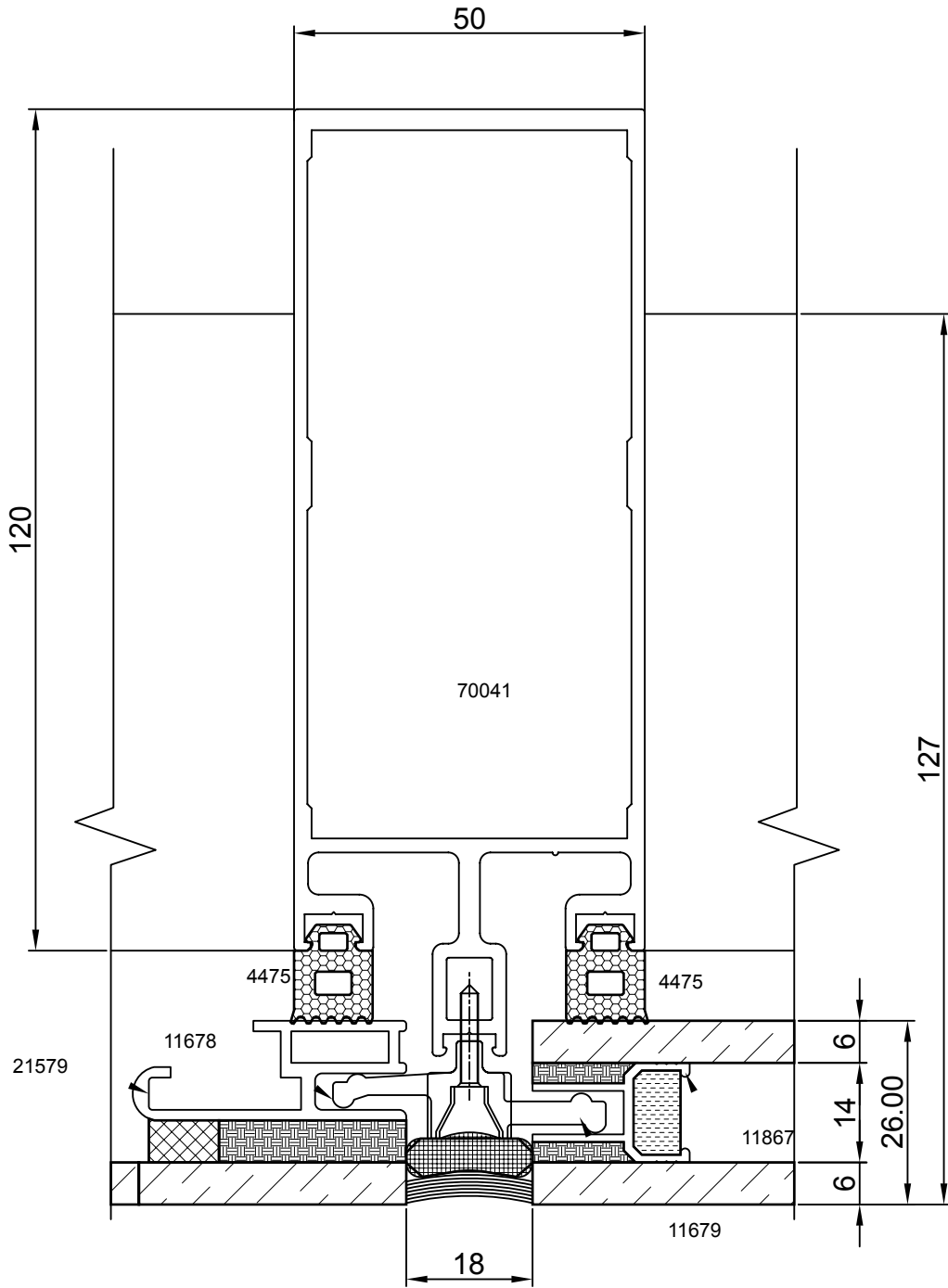
SECTION B-B



SECTION A-A

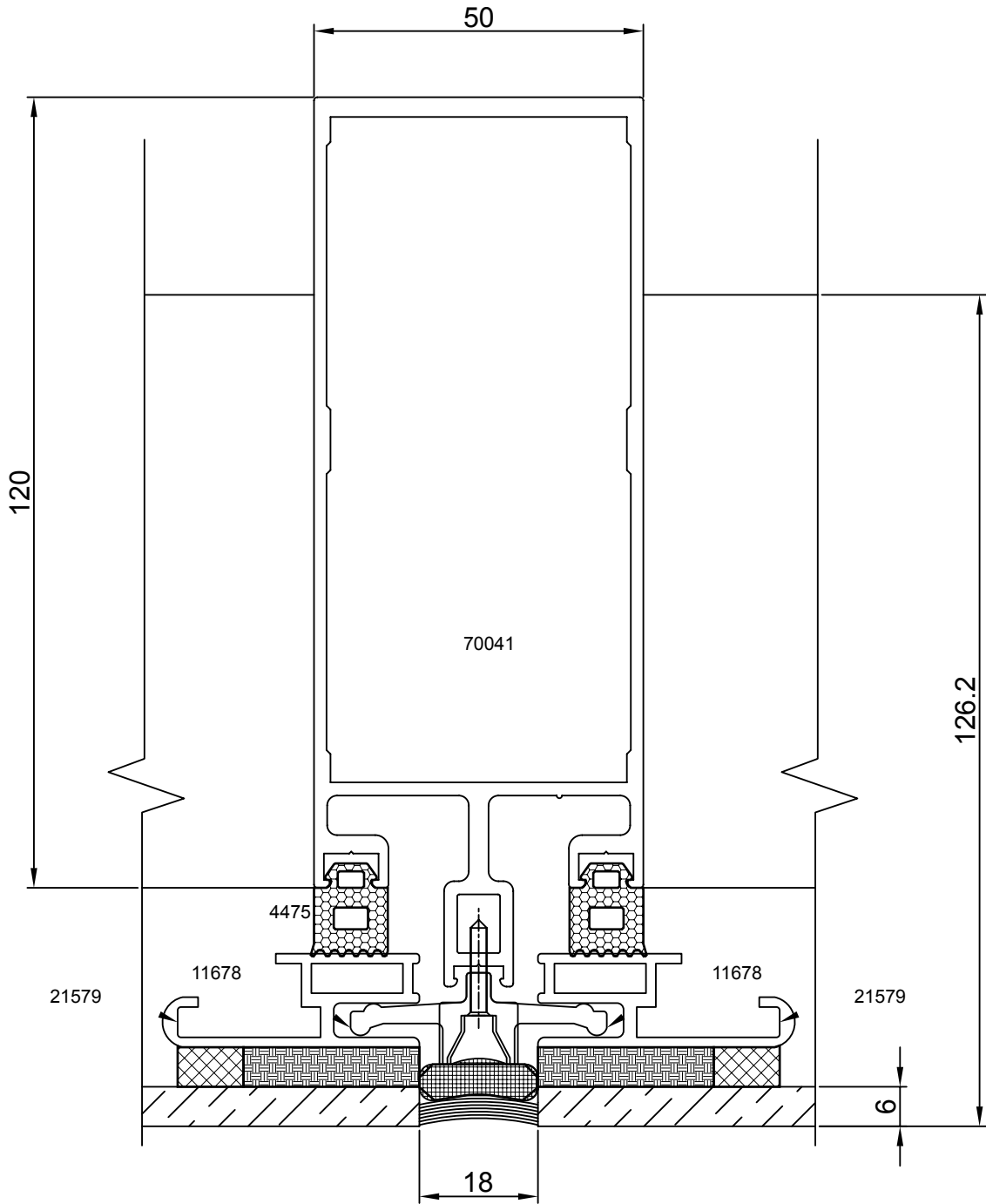
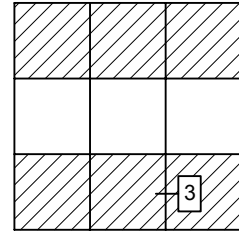
PROFILES		
Description	Shape	Section No.
Mullion		70019
Half Mullion		70037
Frame		21612
Shutter		21611
Adaptor		11735
Glass Adaptor		11867
Adaptor		11679

		- 1



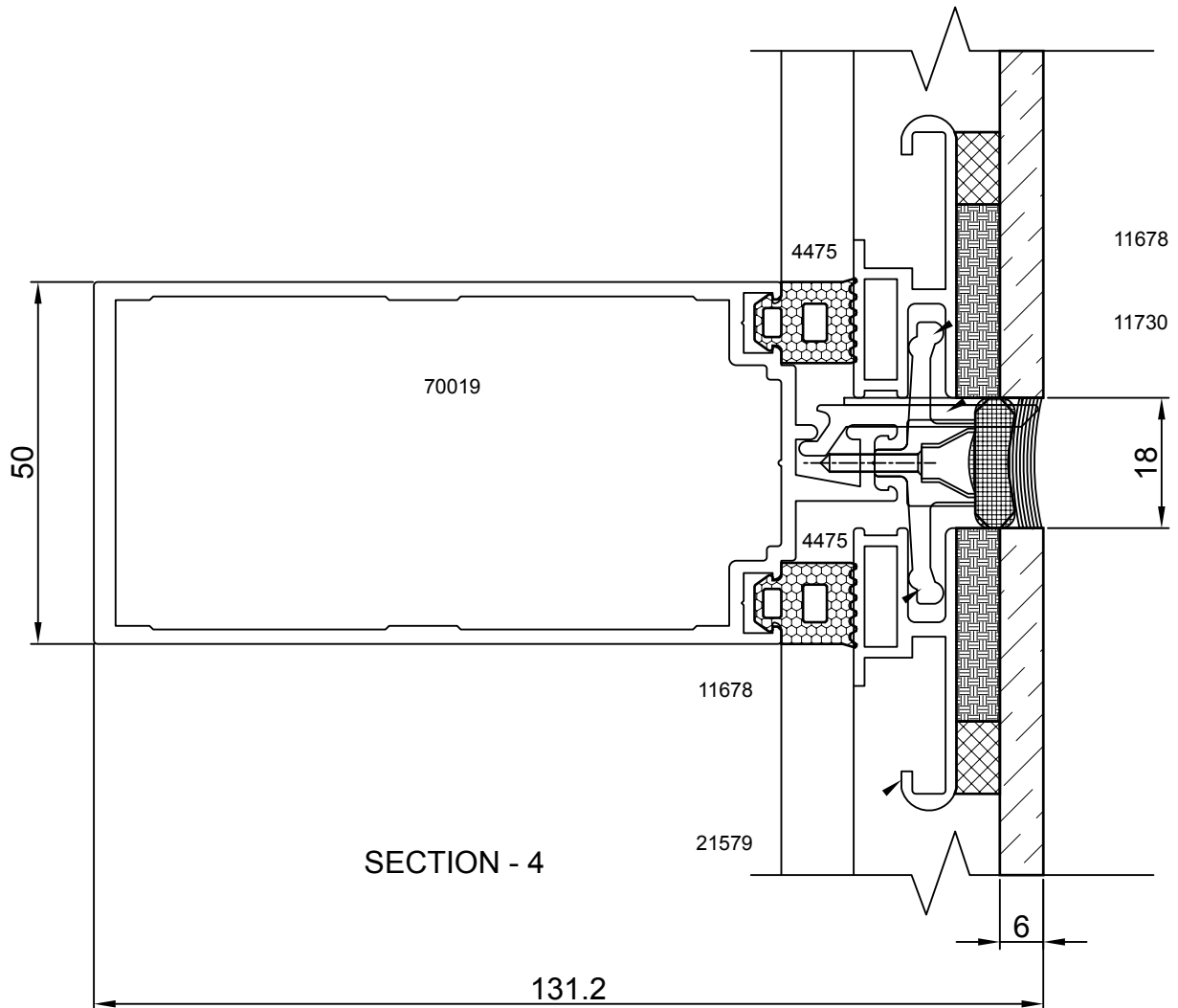
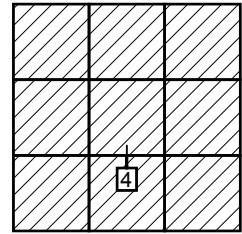
SECTION - 1

Curtain Wall - Structural Glazing (Spandrel)



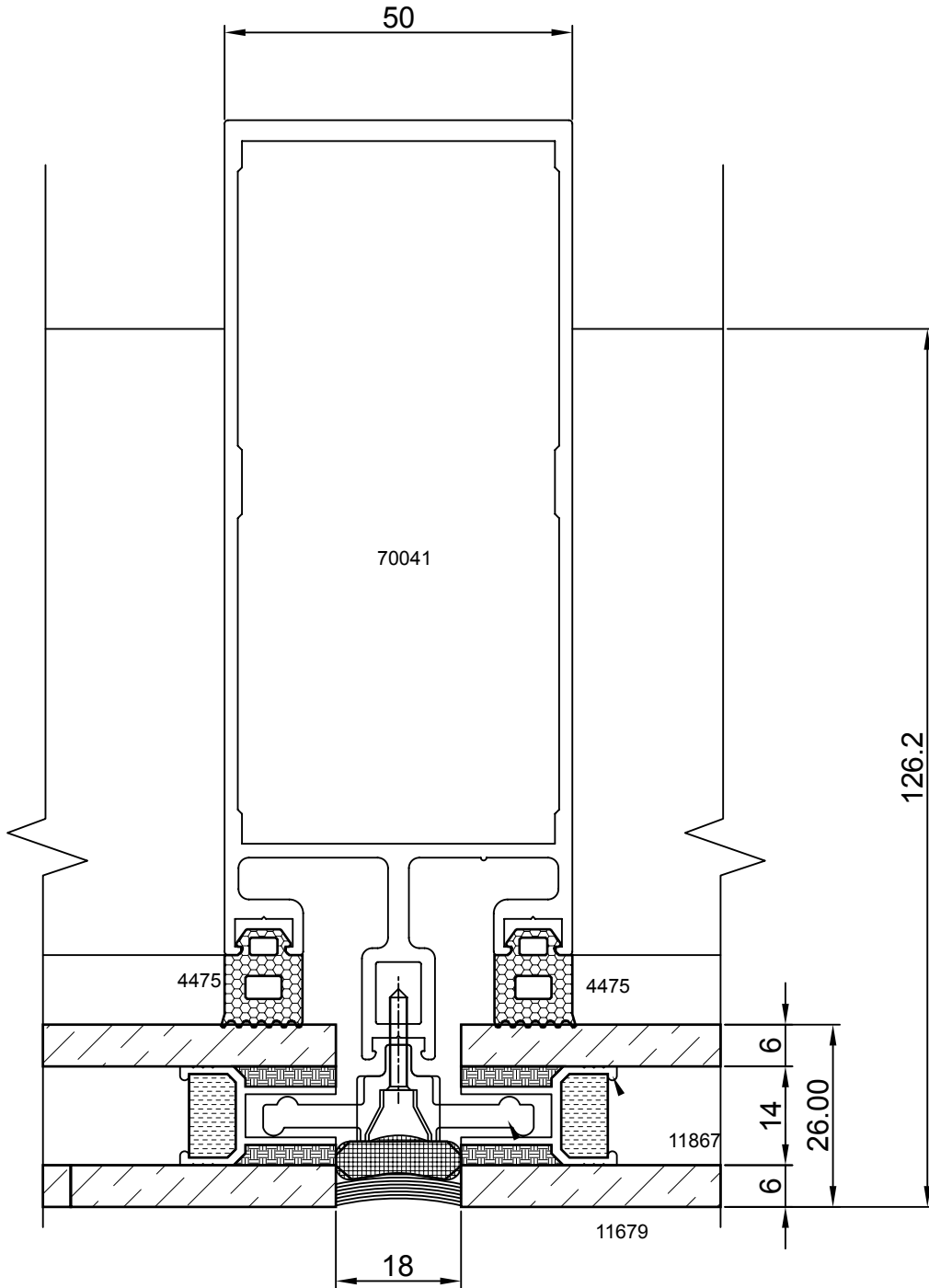
SECTION - 3

Curtain Wall - Structural Glazing (Spandrel)



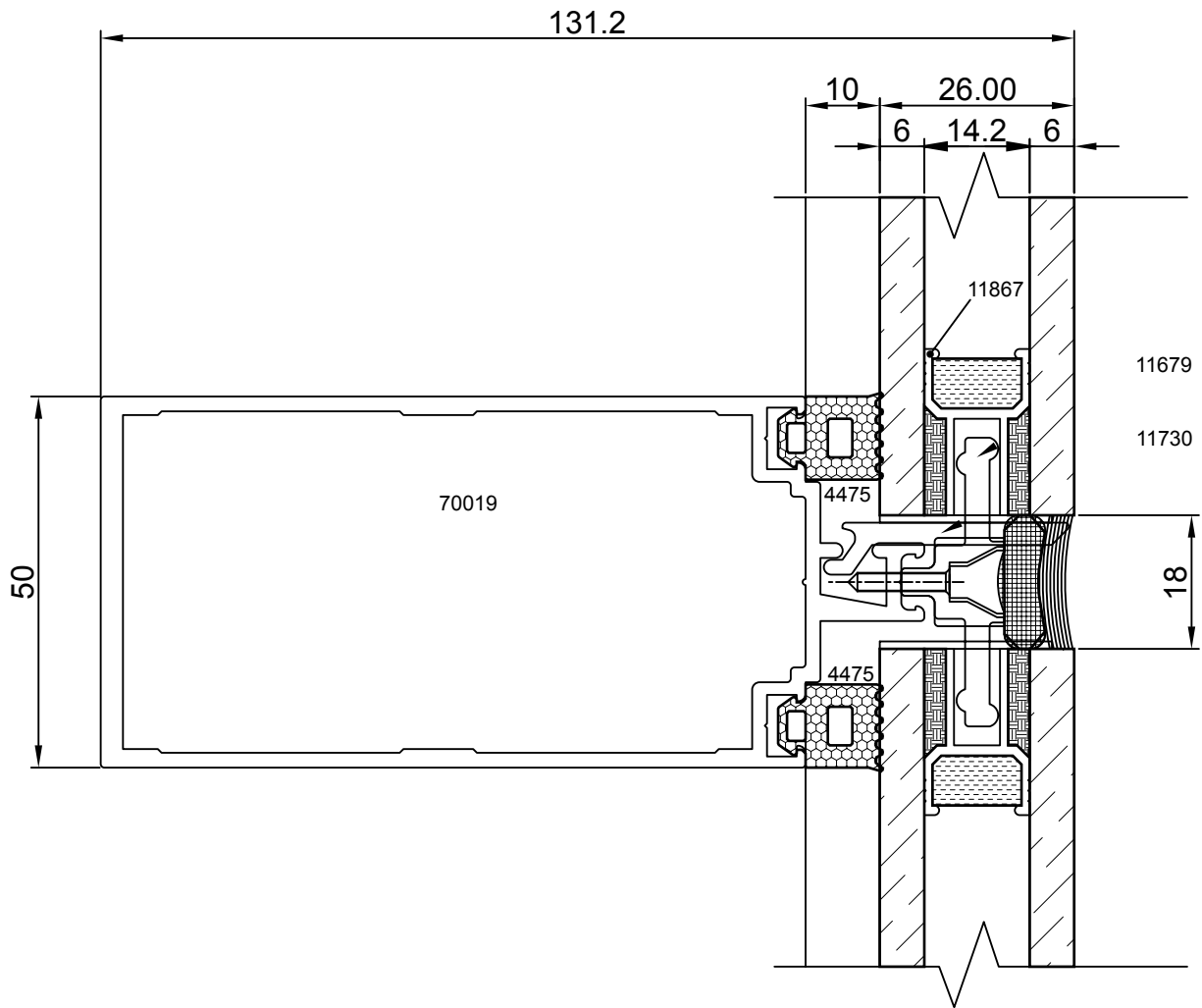
SECTION - 4

	5	



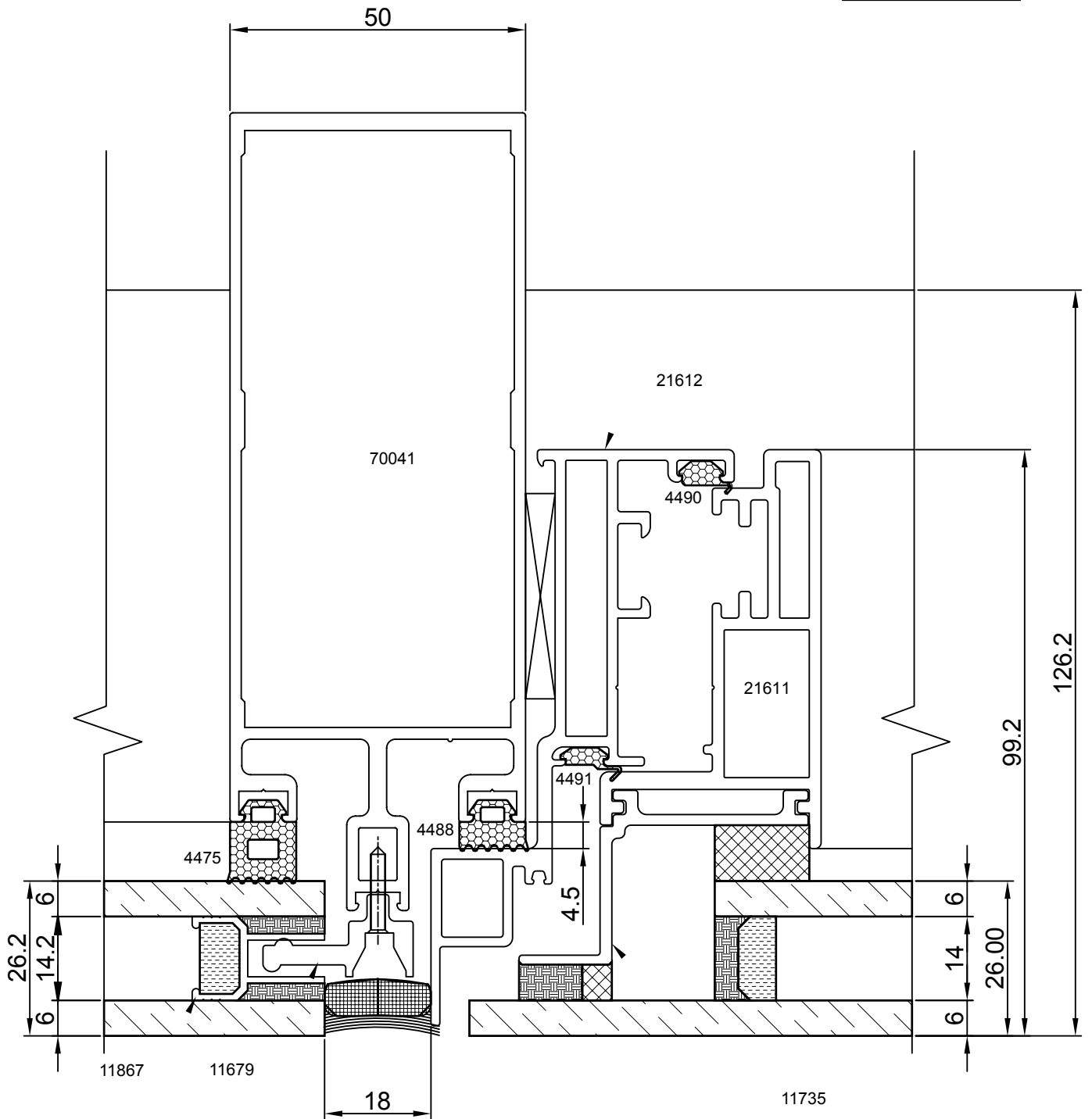
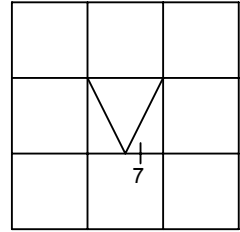
SECTION - 5

	6	
	↑	



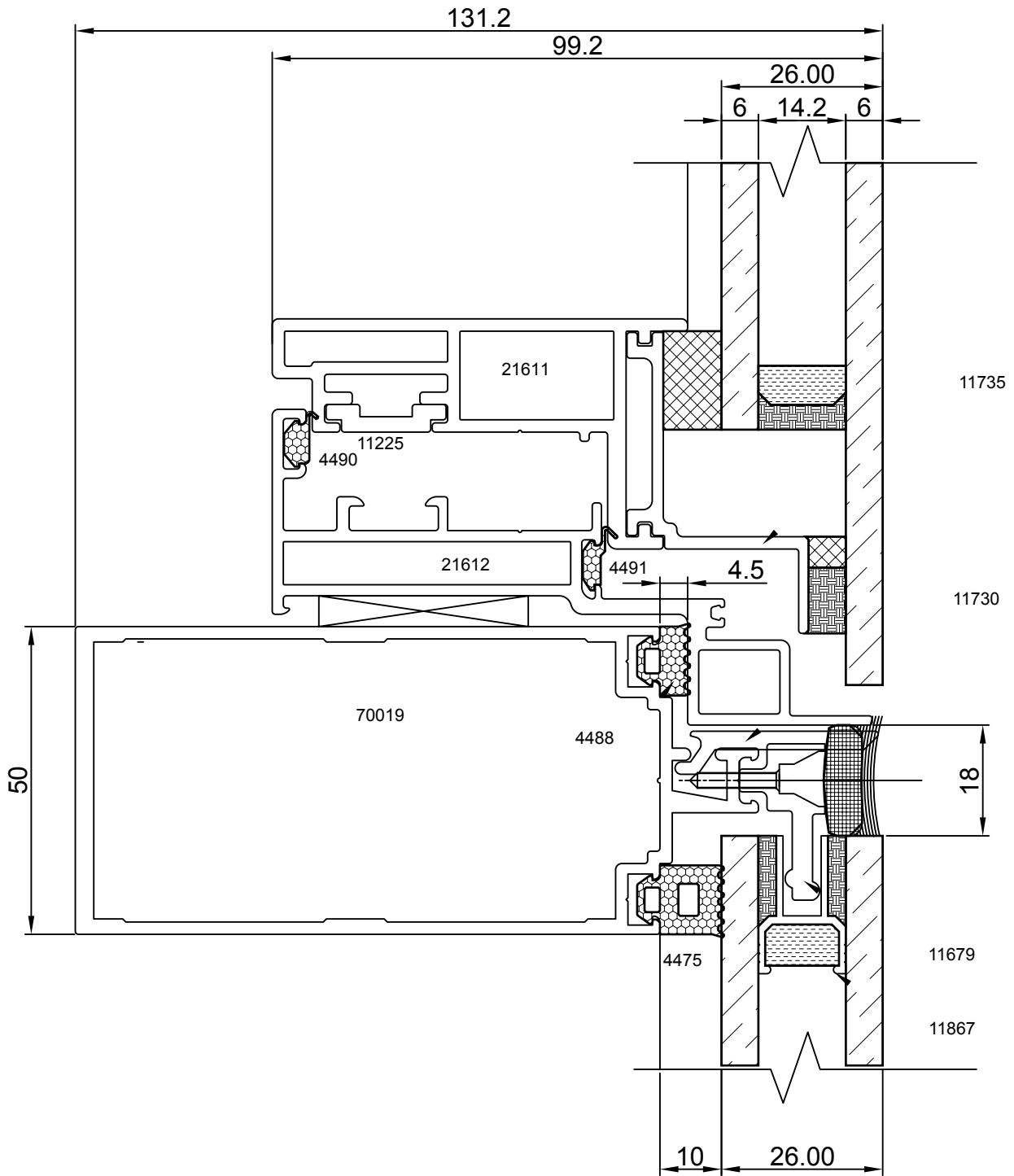
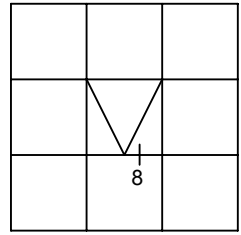
SECTION - 6

Curtain Wall - Structural Glazing Window



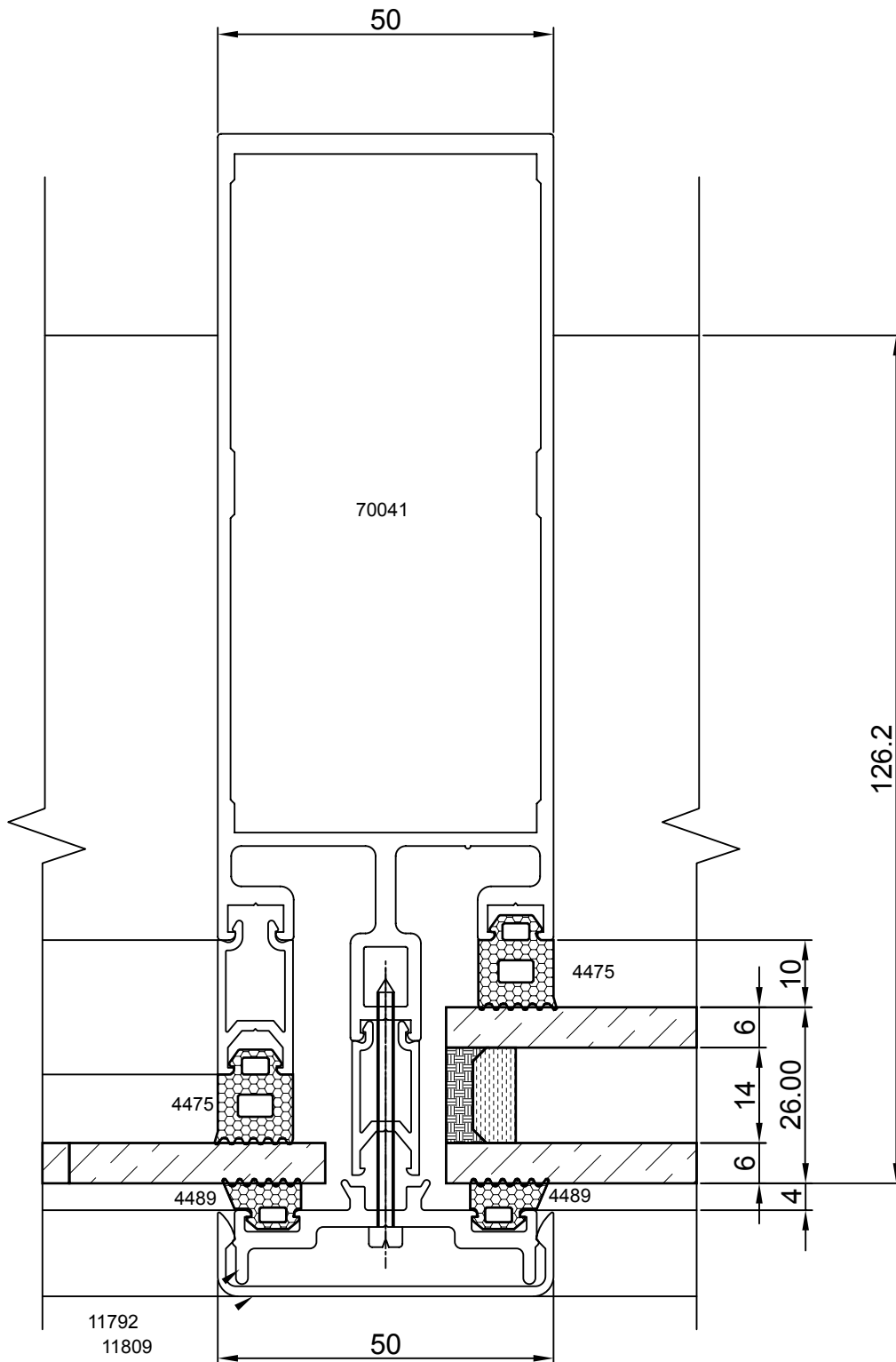
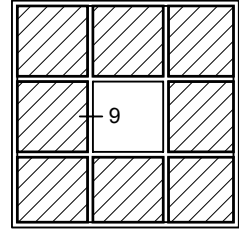
SECTION - 7

Curtain Wall - Structural Glazing Window



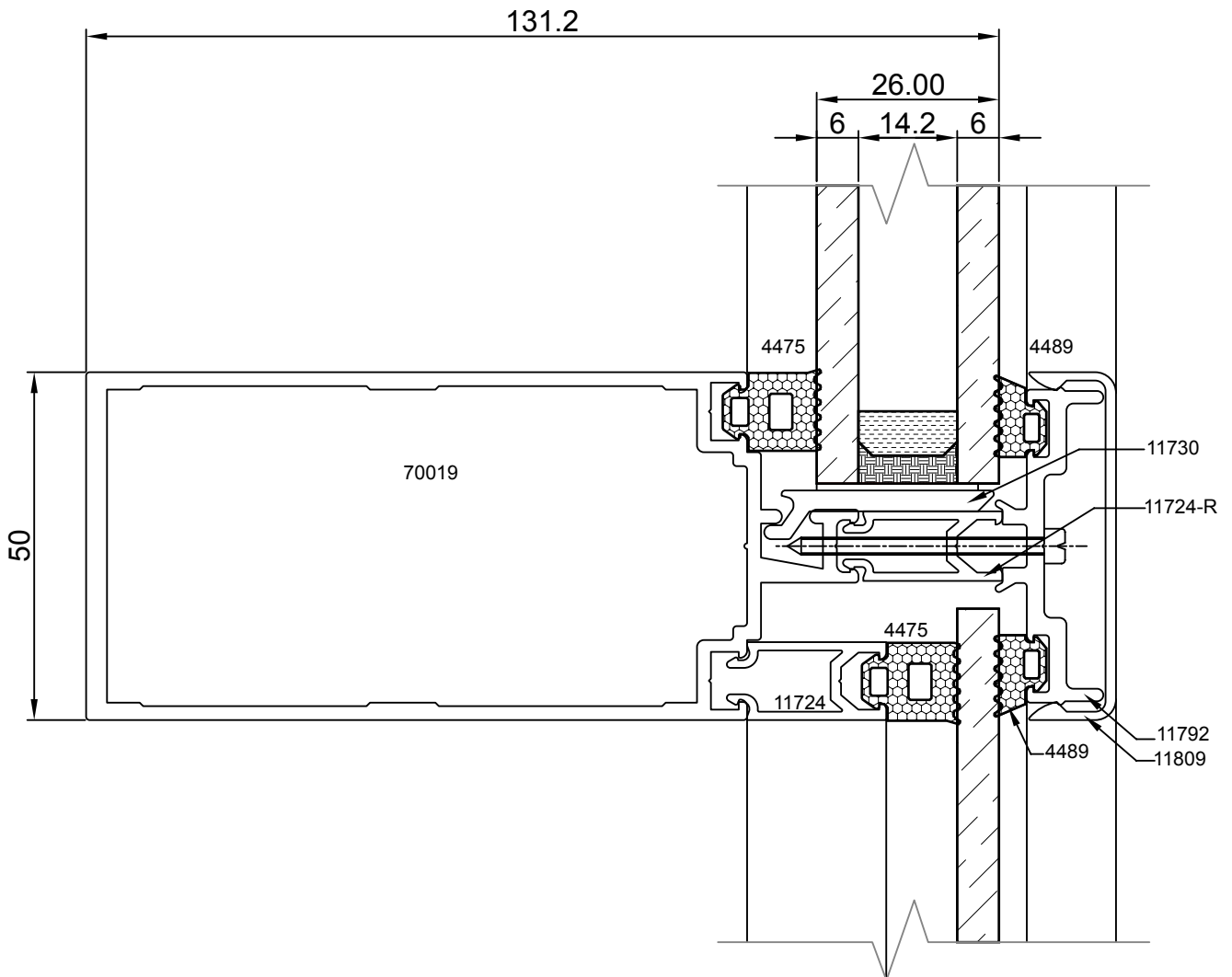
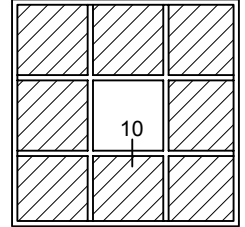
SECTION - 8

Curtain Wall - Conventional



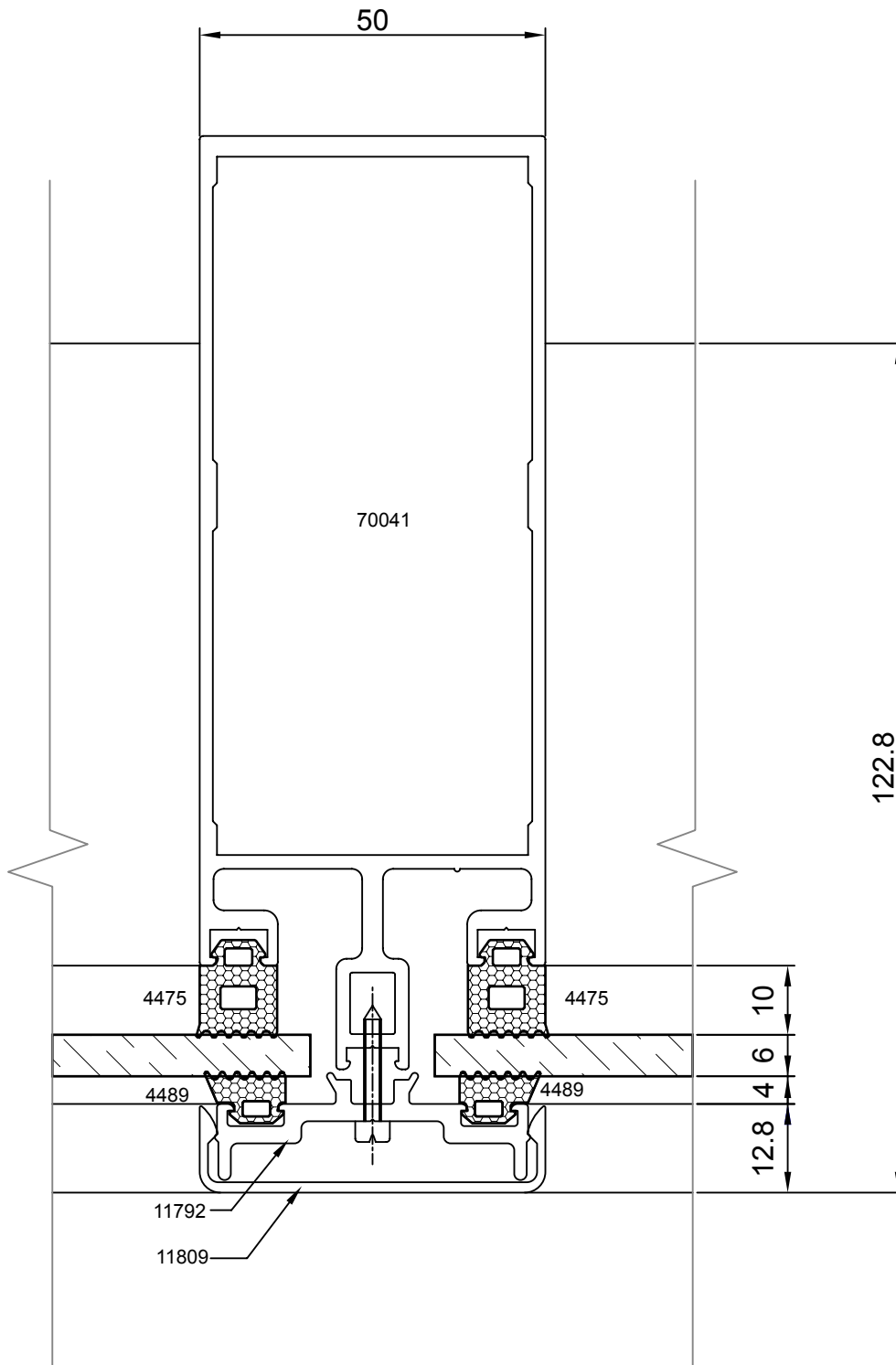
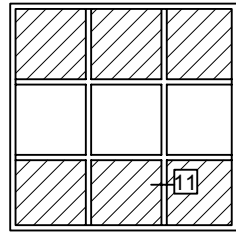
SECTION - 9

Curtain Wall - Conventional



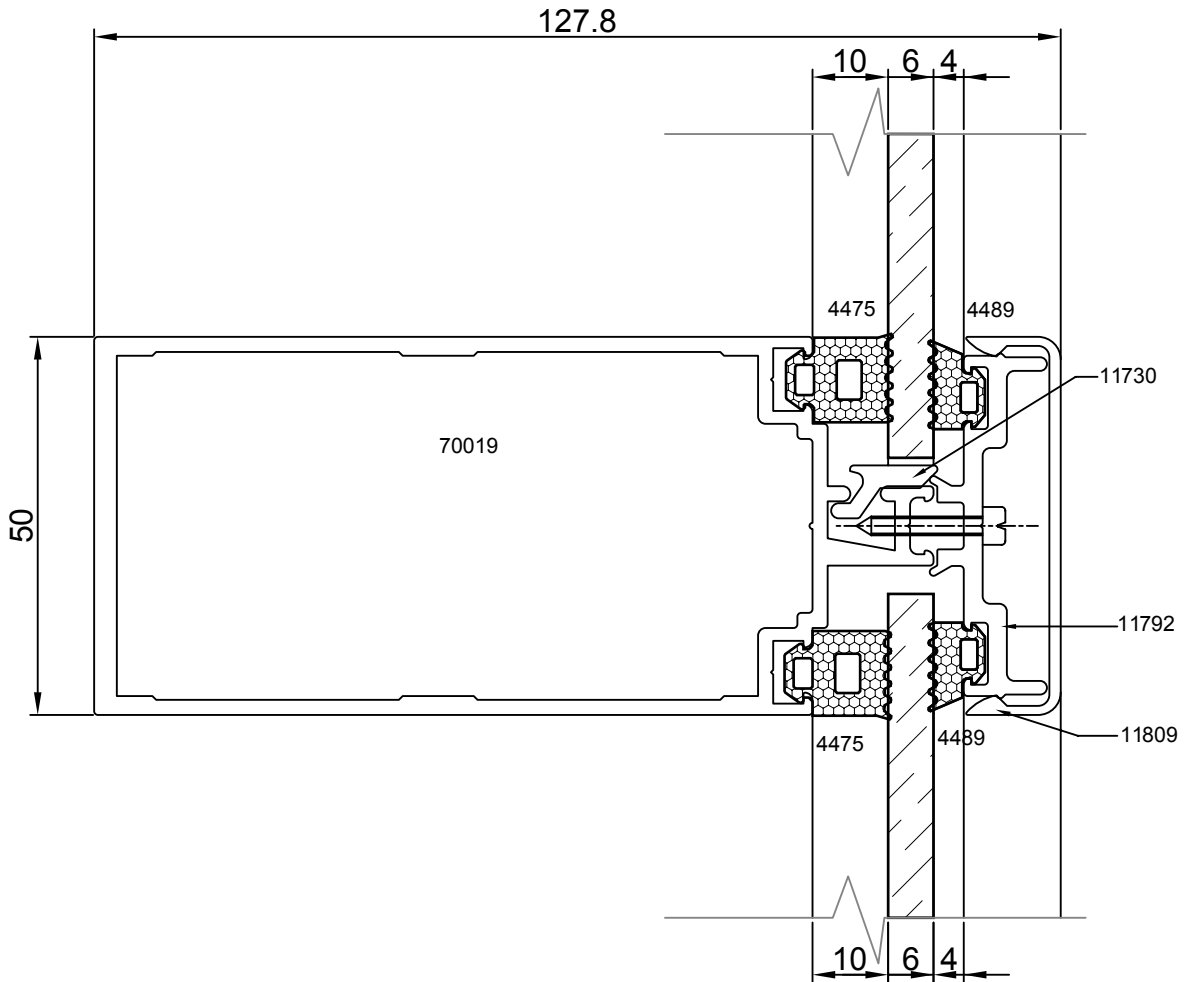
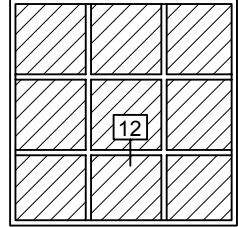
SECTION - 10

Curtain Wall - Conventional



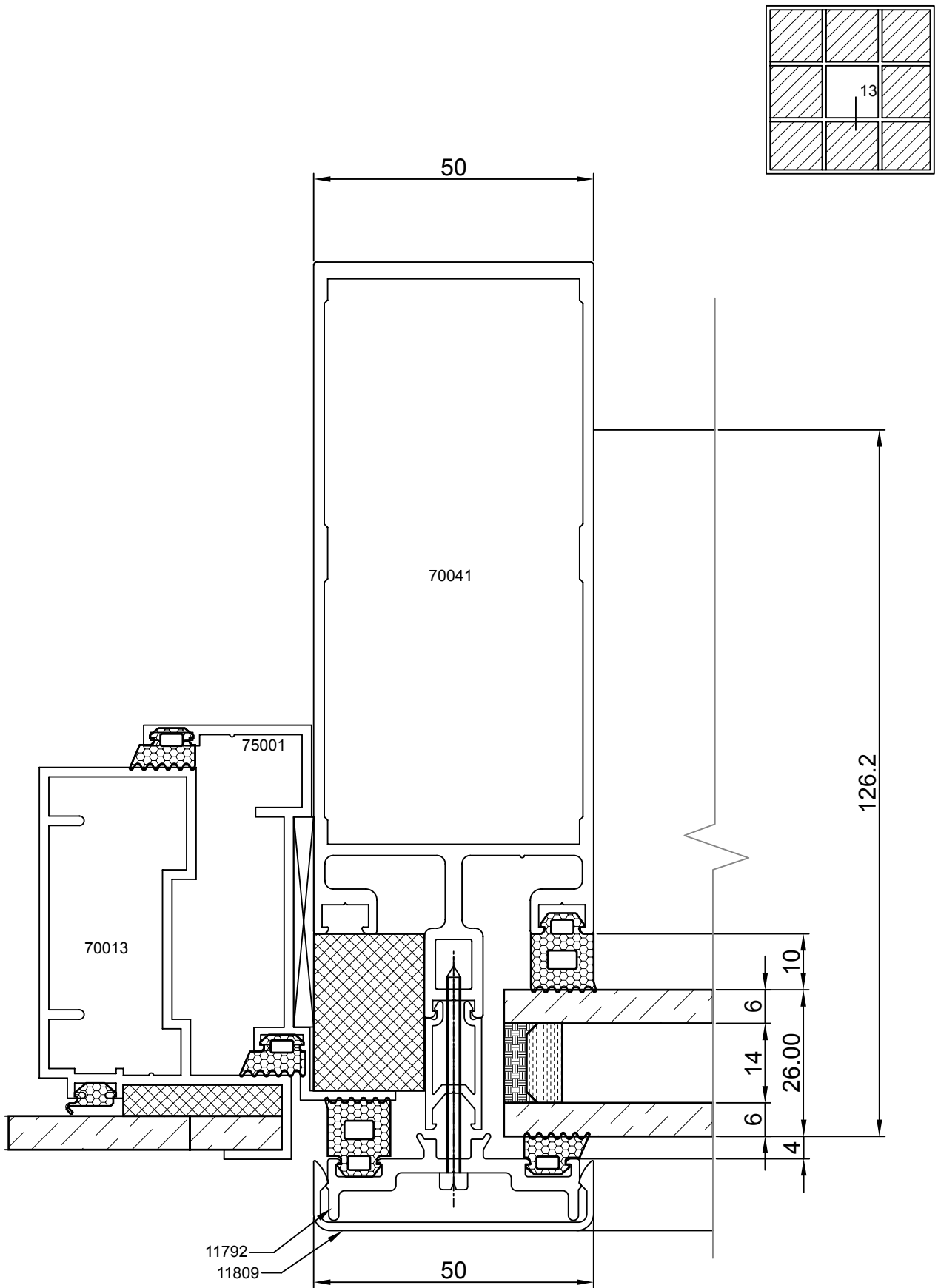
SECTION - 11

Curtain Wall - Conventional (Spandrel)



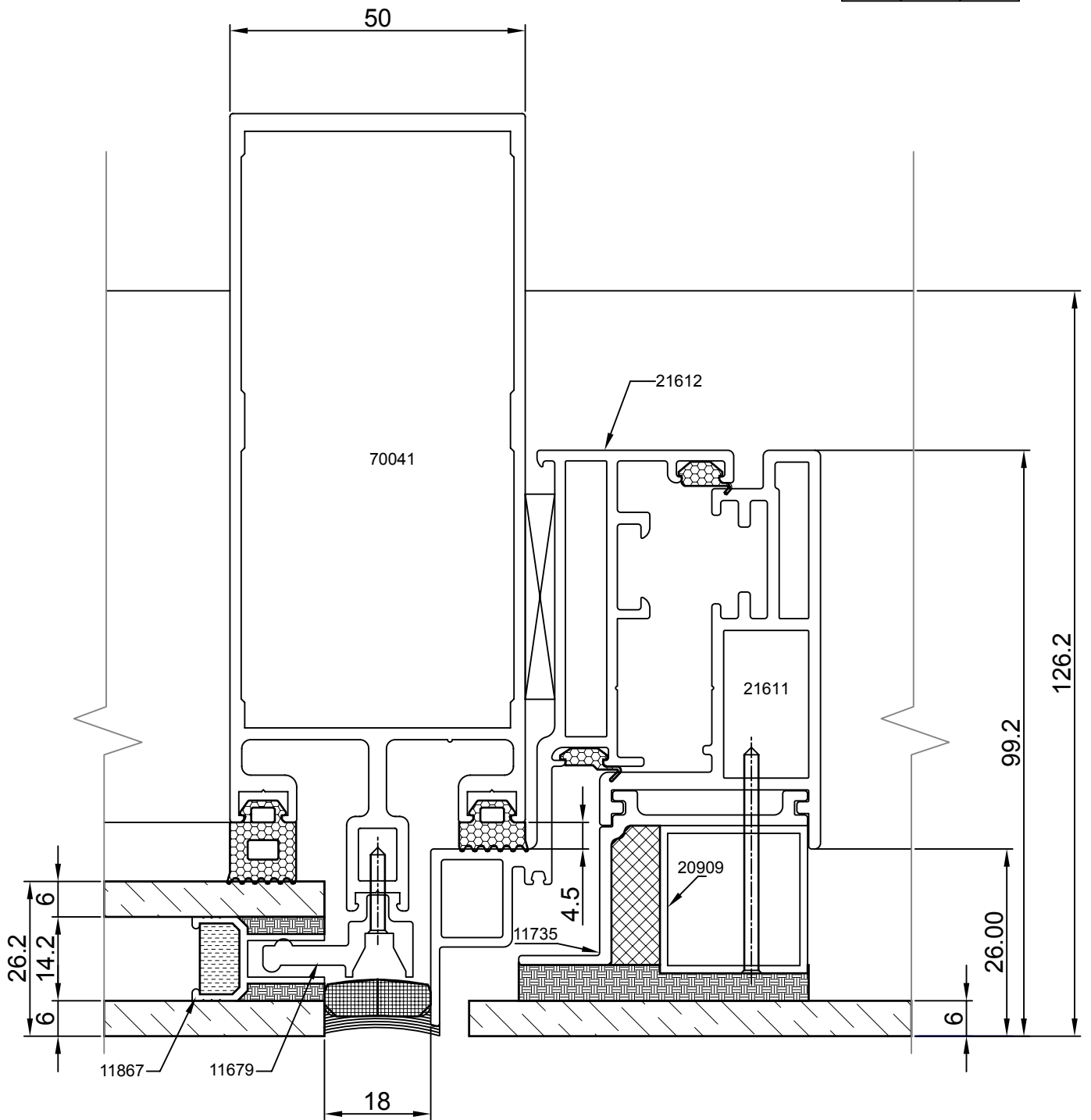
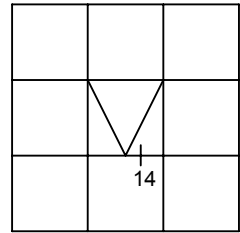
SECTION - 12

Curtain Wall - Conventional Window 6mm Glass



SECTION - 13

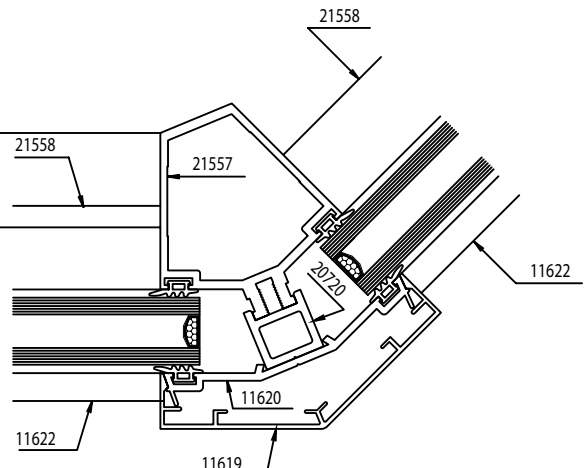
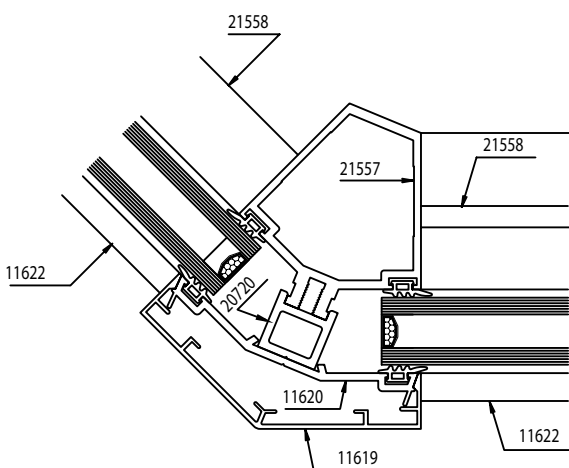
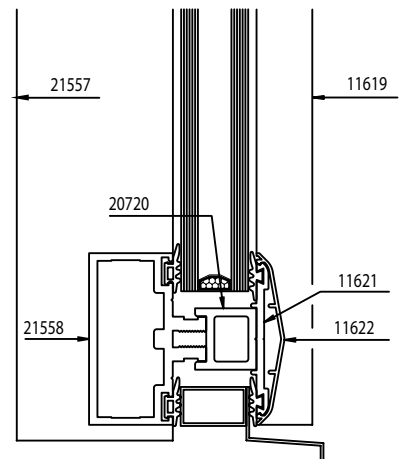
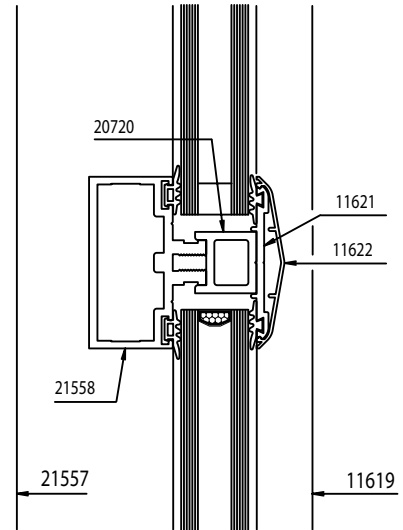
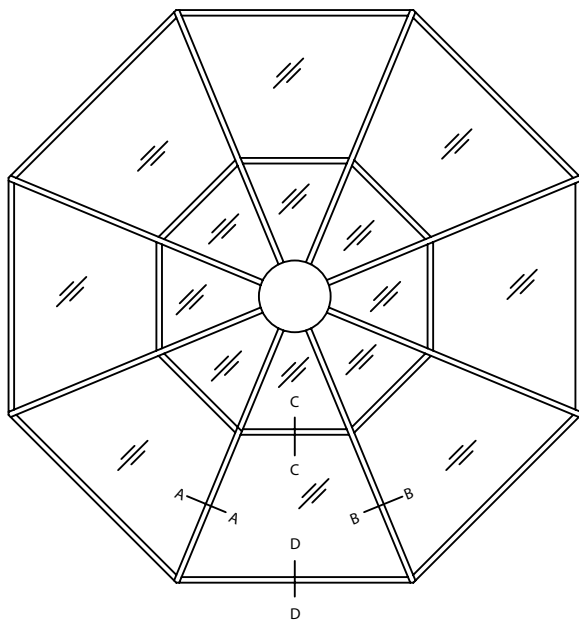
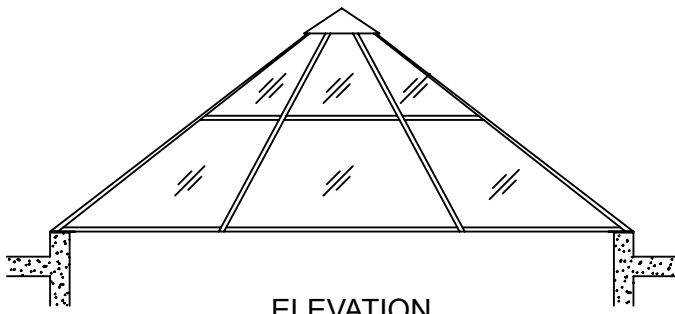
Curtain Wall - Structural Glazing Window 6mm Glass

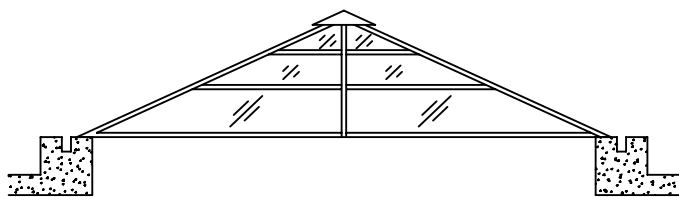


SECTION - 14

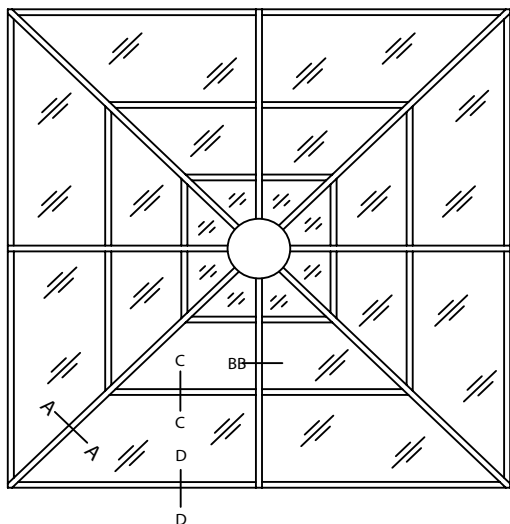
Skyligh System



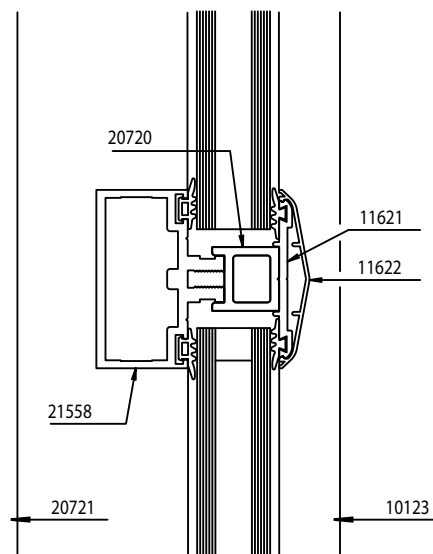




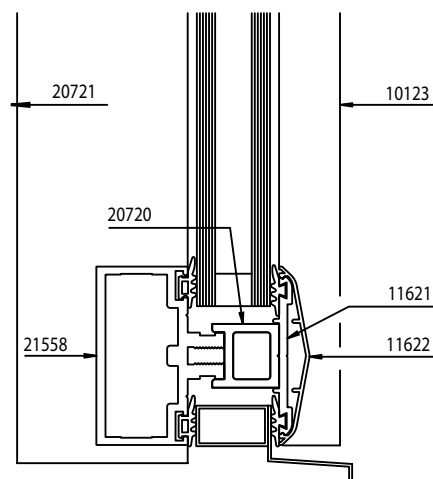
ELEVATION



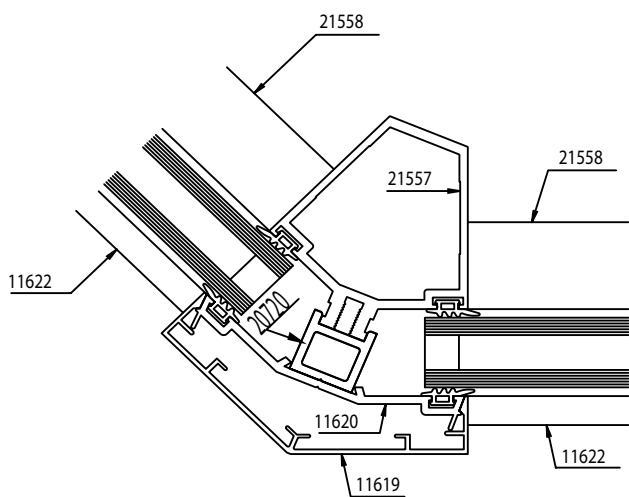
PLAN



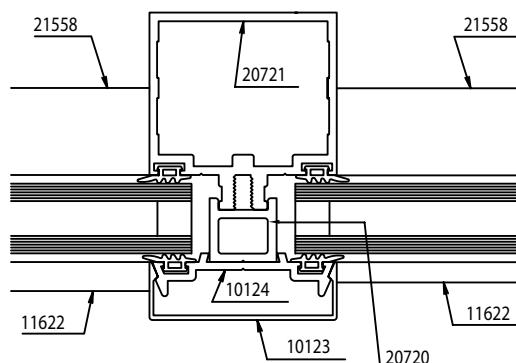
SECTION C-C



SECTION D-D

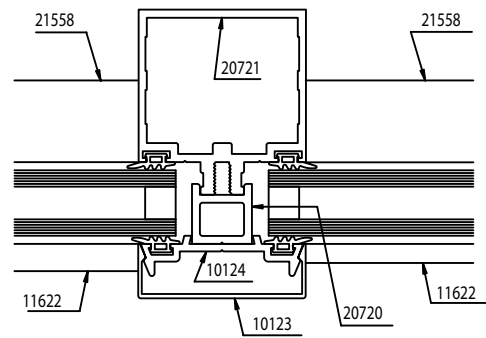
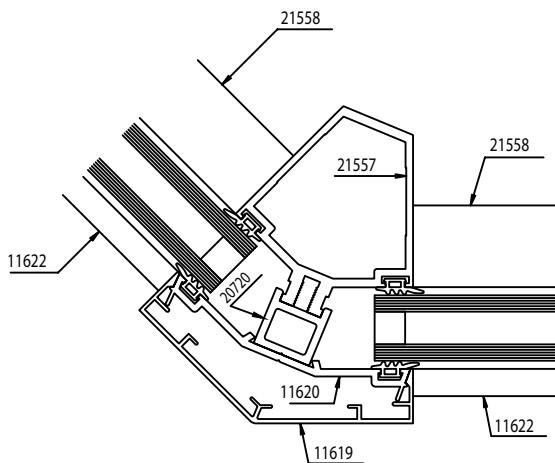
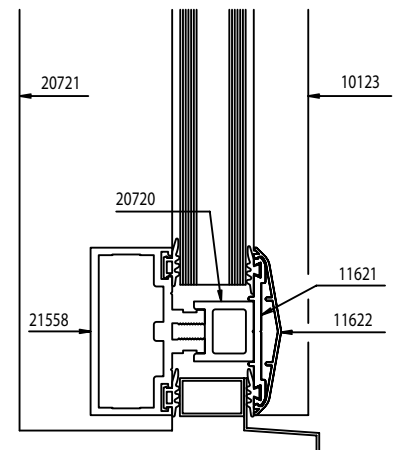
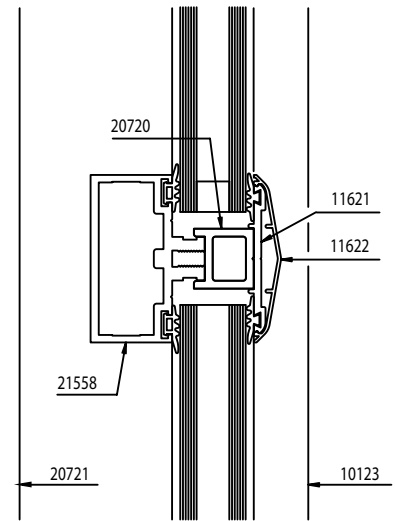
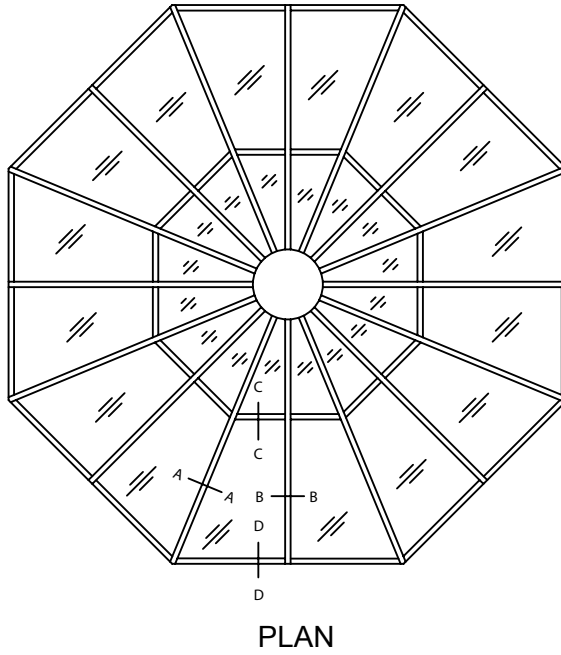
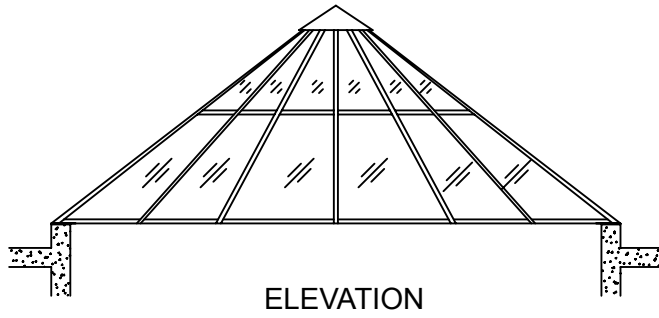


SECTION A-A

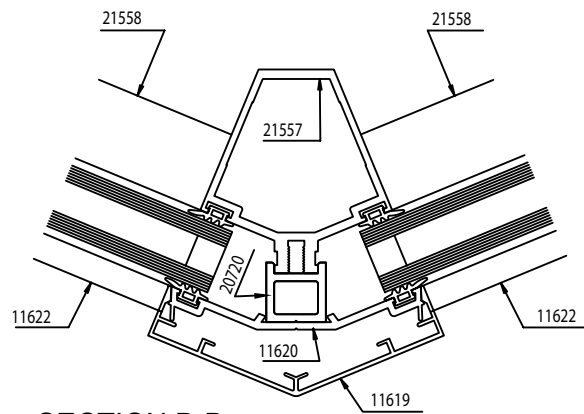
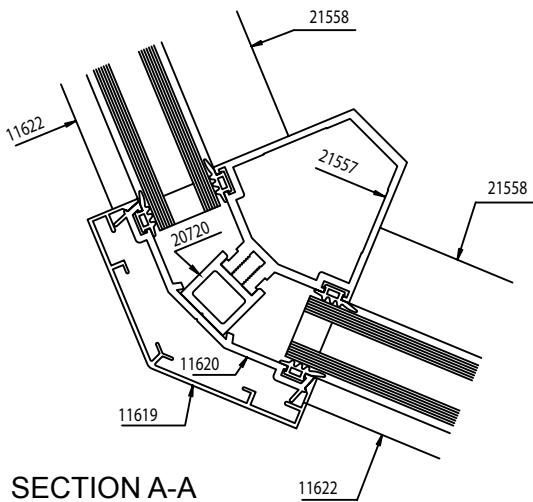
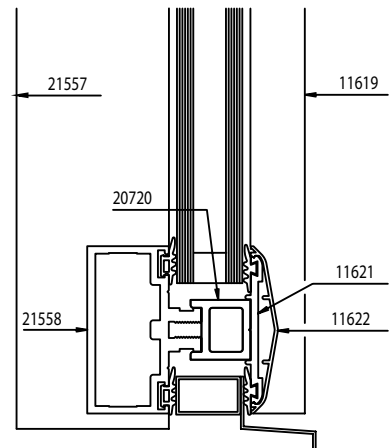
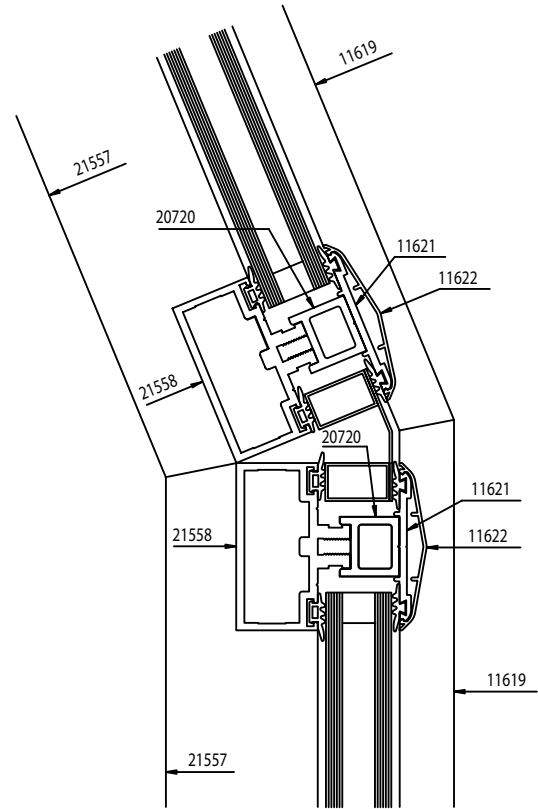
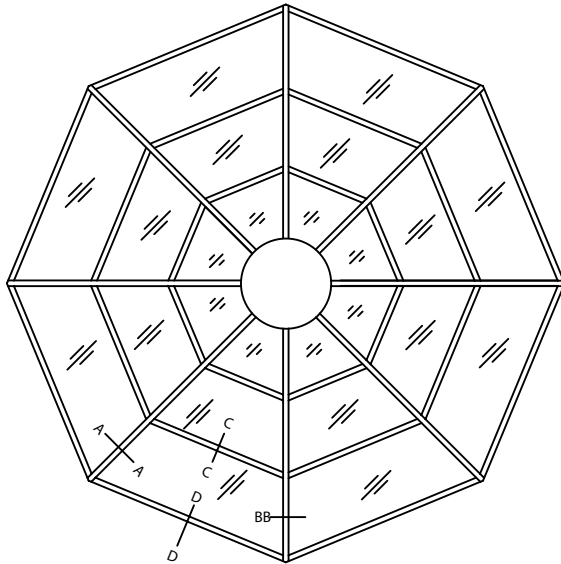
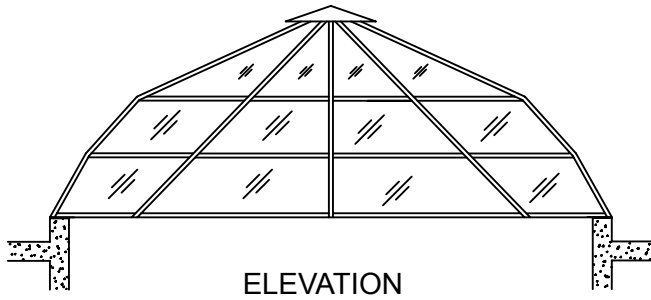


SECTION B-B

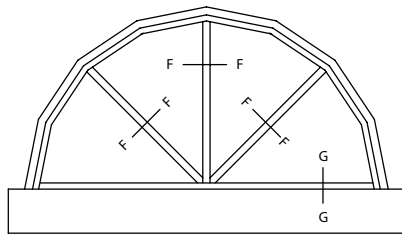
Skylight System



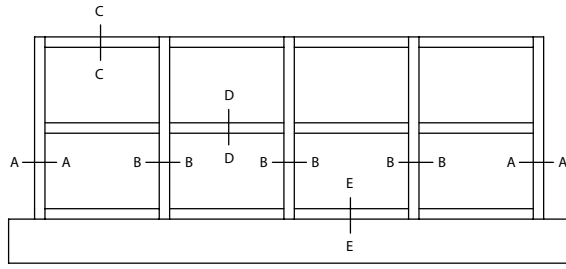
Skylight System



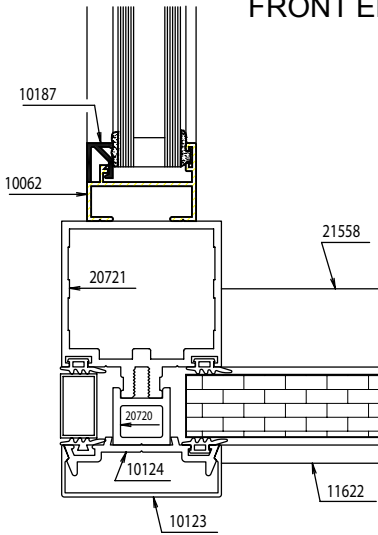
Skylight System



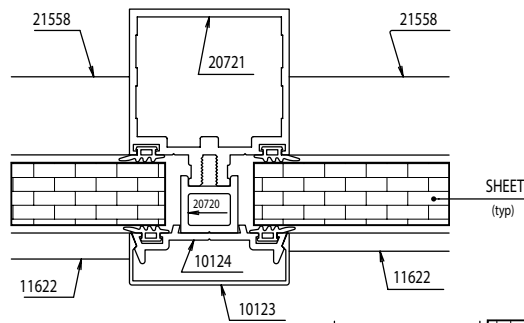
FRONT ELEVATION



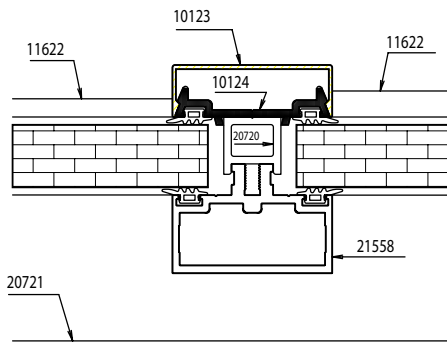
END ELEVATION



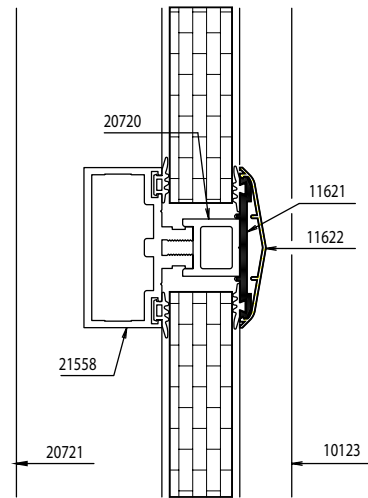
SECTION AT A-A



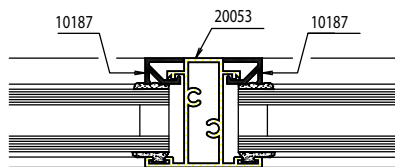
SECTION AT B-B



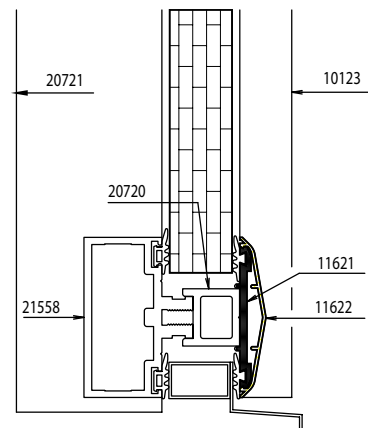
SECTION AT C-C



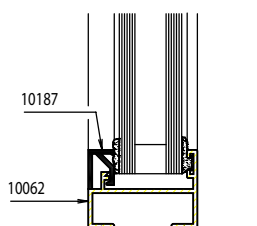
SECTION AT D-D



SECTION AT F-F

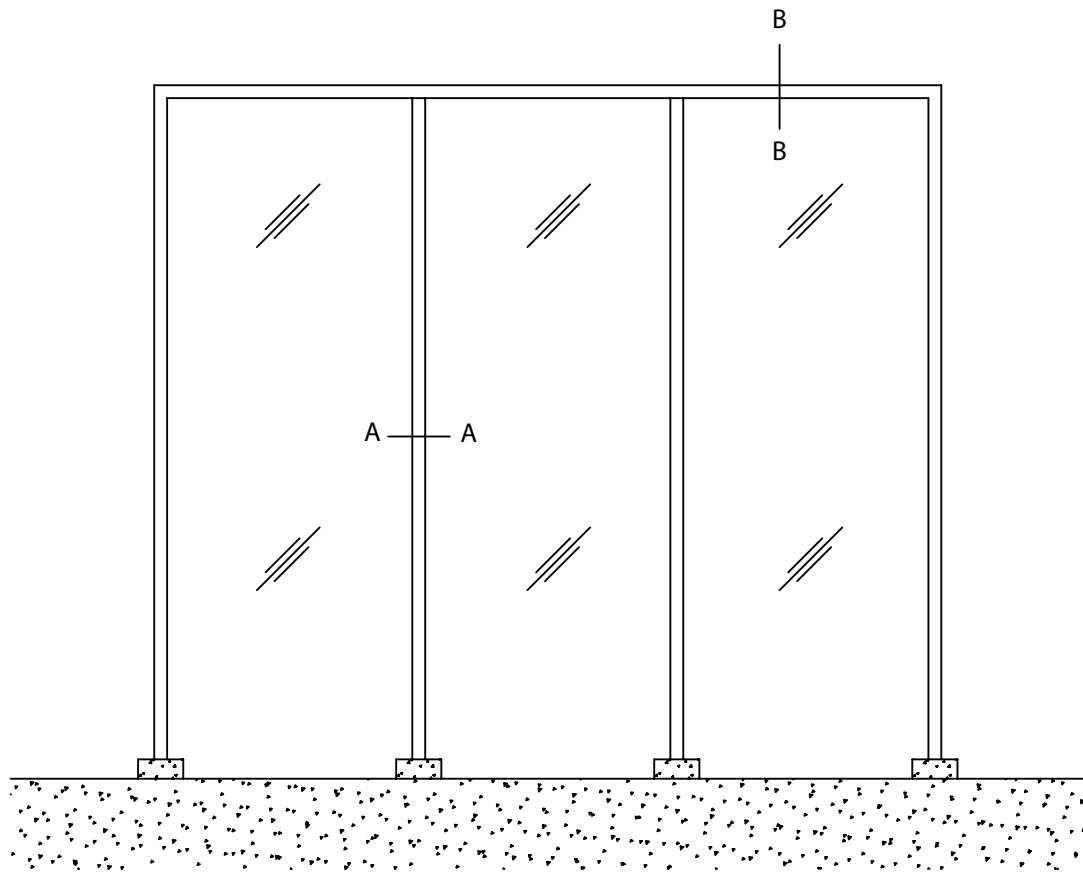


SECTION AT E-E

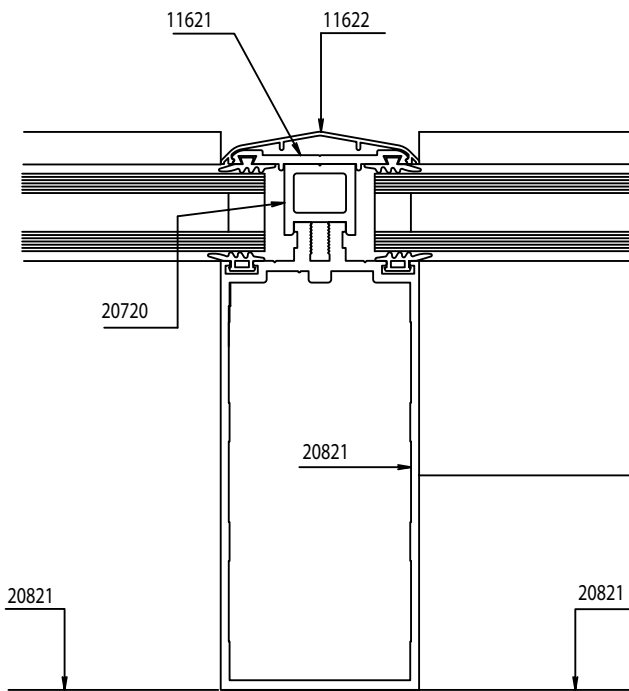


SECTION AT G-G

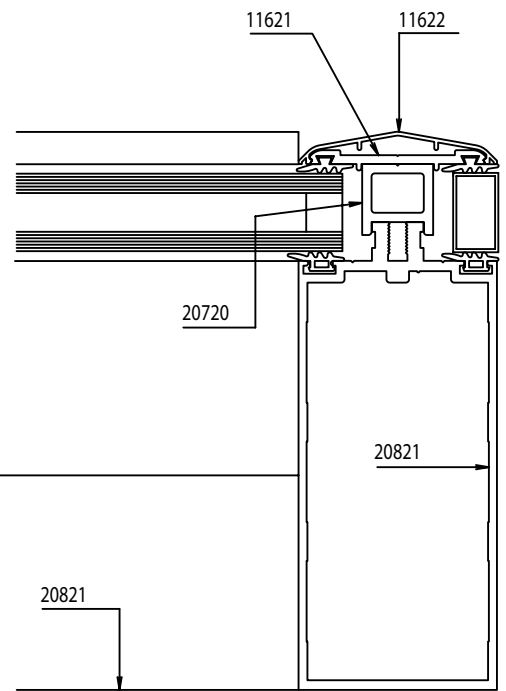
Skylight System



PLAN



SECTION AT A-A

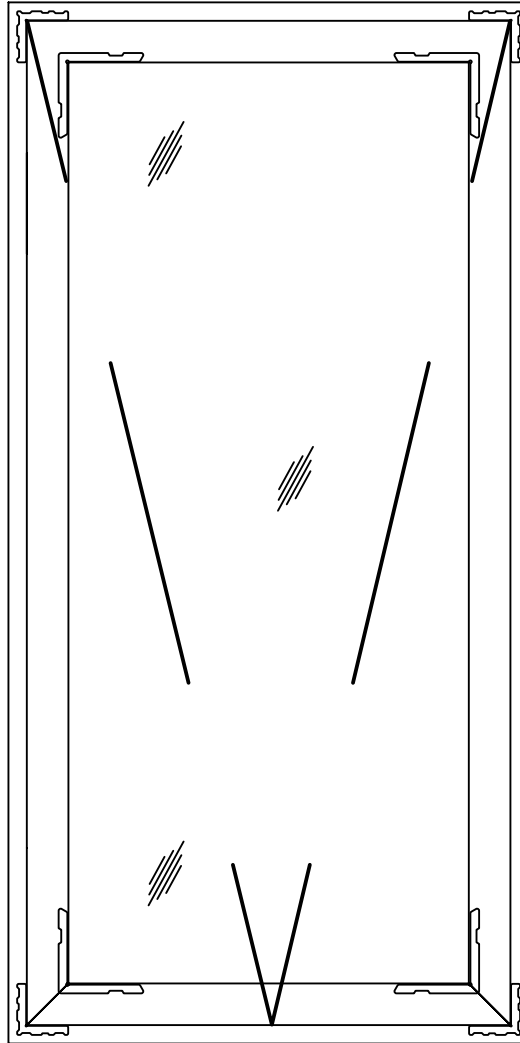


SECTION AT B-B

Curtain Wall Top Hung Window



TOP HUNG WINDOW ACCESSORIES LIST CONFIGURATION



Mandatory Accessories

Accessories code	Description	Qty
08534N - 08542N	Giesse Type P Arms	1
01000U	Euro Cremone	1
02262	Connection Block	2
04042K	Adjustable Pawl 4	
01343K	Fixed Pawl 4	
040419K	Corner Drive	2



IRCCOS S.r.l.

Istituto di Ricerca e Certificazione per le Costruzioni Sostenibili

Notified Body No. 1994 in accordance with Regulation CPR (UE) No. 305/2011

TEST REPORT

Number:

1994-CPR-RP1647

Issuing date:

2018-03-07

Applicant:

**National Aluminium Products Company Saog
P.O. Box 15 Rusayl, PC 124
Sultanate of Oman**

Tested product:

**Curtain wall N 50
with trade name given by the applicant
"CW. N 50"
(cf. description)**

Executed tests:

**Air permeability
Watertightness
Resistance to wind load**

Normative references:

**EN 14351-1:2006+A2:2016
EN 1026:2016 EN 12207:2017
EN 1027:2016 EN 12208:1999
EN 12211:2016 EN 12210:2016**

The report is done up of 26 pages, including any annex, and can be reproduced only integrally, any partial reproduction must be authorized in writing by IRCCOS.

The results included in the Test Report refer exclusively to the tested objects, identified in the present Test Report.



Test Report No: 1994-CPR-RP1647

- 9 **Resume of classes assigned on the basis of the results of the tested sample of a Curtain wall 50 mm, with trade name given by the applicant "CW. N 50", according to TR No 1994-CPR-RP1647, issued on 2018/03/07 to National Aluminium Products Company Saog, wholly referred to.**

Test	Test standard	Classification standard	Obtained Class
Air permeability	EN1026:2016	EN 12207:2017	class 4
Watertightness	EN1027:2016	EN 12208:1999	class E1500
Resistance to wind load	EN12211:2016	EN 12210:2016	class C5

10 Retention of samples

The test sample has to be retained at least until the Test Report emission.

Technical Operator

Andrea Cadei

IRCCOS S.r.l.
Istituto di Ricerca e Certificazione
per le Costruzioni Sostenibili
via Grandi n° 17, 21017 Samarate (VA)
C.F./P.IVA 05159630960

Laboratory Manager

Katia Foti

-----End of the Test Report No. 1994-CPR-RP1647-----

GS HD ARM - TOP HUNG-10"-TYPE P

08534N



Functions

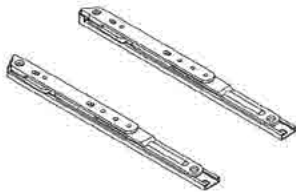
Pair of self-balancing arms (one right and one left) able to support a top-hung window.

Capacities

Maximum Weight Top-Hung: 50KG

GS HD ARM - TOP HUNG-12"-TYPE P

08535N



Functions

Pair of self-balancing arms (one right and one left) able to support a top-hung window.

Capacities

Maximum Weight Top-Hung: 60KG

GS HD ARM - TOP HUNG-14"-TYPE P

08536N



Functions

Pair of self-balancing arms (one right and one left) able to support a top-hung window.

Capacities

Maximum Weight Top-Hung: 69.5KG

GS HD ARM - TOP HUNG-16"-TYPE P

08537N



Functions

Pair of self-balancing arms (one right and one left) able to support a top-hung window.

Capacities

Maximum Weight Top-Hung: 88.5KG

Giesse Accessories Have Been Incorporated and Tested In NAPCO Systems Can Be Warranted Only Using The Accessories Listed In This Official Catalogue

Accessory List: 50 Series Curtain Wall

GS HD ARM - TOP HUNG-18"-TYPE P

08538N



Functions

Pair of self-balancing arms (one right and one left) able to support a top-hung window.

Capacities

Maximum Weight Top-Hung: 102KG

GS HD ARM - TOP HUNG-20"-TYPE P

08539N



Functions

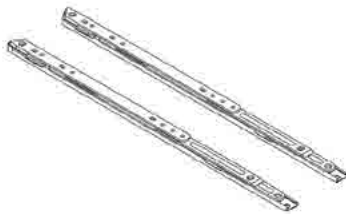
Pair of self-balancing arms (one right and one left) able to support a top-hung window.

Capacities

Maximum Weight Top-Hung: 135KG

GS HD ARM - TOP HUNG-22"-TYPE P

08540N



Functions

Pair of self-balancing arms (one right and one left) able to support a top-hung window.

Capacities

Maximum Weight Top-Hung: 137KG

GS HD ARM - TOP HUNG-24"-TYPE P

08541N



Functions

Pair of self-balancing arms (one right and one left) able to support a top-hung window.

Capacities

Maximum Weight Top-Hung: 139KG

Giesse Accessories Have Been Incorporated and Tested In NAPCO Systems Can Be Warranted Only Using The Accessories Listed In This Official Catalogue

Accessory List: 50 Series Curtain Wall

GS HD ARM - TOP HUNG-28"-TYPE P

08542N



Functions

Pair of self-balancing arms (one right and one left) able to support a top-hung window.

Capacities

Maximum Weight Top-Hung: 155KG

GS HD ARM - TOP HUNG 26" 180-TYPE P

08348



Functions

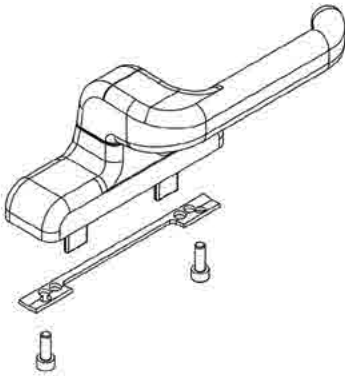
Pair of self-balancing arms (one right and one left) able to bear the weight of a top hung window and hold it in the open position

Capacities

Maximum Weight Top-Hung: 155 + 180 KG (limited to 7" by way of limitation arms)

EURO CW2 CREMONE

050071

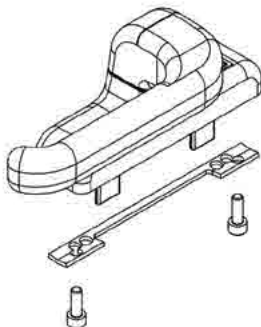


Functions

RH cremone for curtain wall facade systems, with 90° rotation (two-way) and opening/closing positioning notch

EURO CW2 Cremone

050072



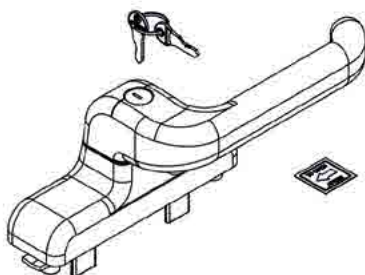
Functions

LH cremone handle for curtain wall facade systems, with 90° rotation (two-way) and opening/closing positioning notch.

Giesse Accessories Have Been Incorporated and Tested In NAPCO Systems Can Be Warranted Only Using The Accessories Listed In This Official Catalogue

EURO KEY CW2 CREMONE

050081



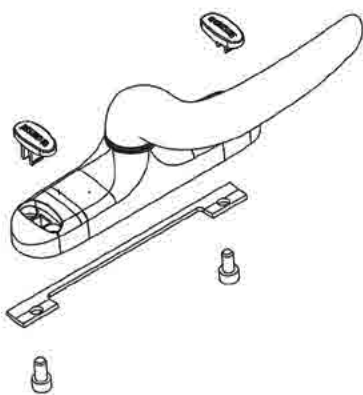
Functions

RH cremone for curtain wall facade systems, with 90° rotation and opening closing positioning notch.

The lock blocks the cremone in the closing position.

UNICA OFFSET HANDLE CW2 CREMONE

011701

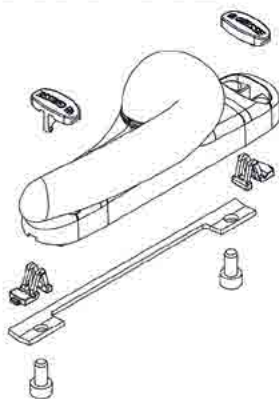


Functions

RH cremone for curtain wall facade systems, with 90° rotation and opening / closing positioning notch.

UNICA OFFSET HANDLE CW2 CREMONE

011702

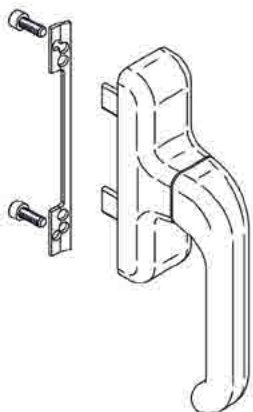


Functions

LH cremone for curtain wall facade systems, with 90° rotation and opening / closing positioning notch.

EURO CREMONE

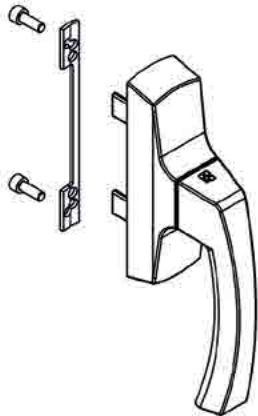
01000U



Functions

Reversible cremone handle for central gasket systems, with 90° rotation and opening / closing positioning notch.

Giesse Accessories Have Been Incorporated and Tested In NAPCO Systems Can Be Warranted Only Using The Accessories Listed In This Official Catalogue

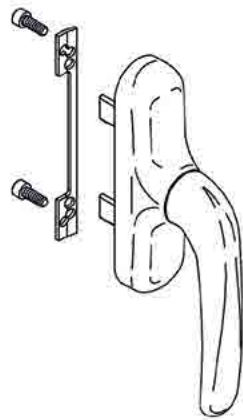


ASIA CREMONE FOR SASH

01076

Functions

Reversible cremone for operating GIESSE Sash mechanisms.

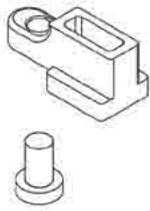


PRIMA CREMONE

01024U

Functions

Reversible cremone handle for central gasket systems, with 90° handle rotation and opening / closing positioning notch.

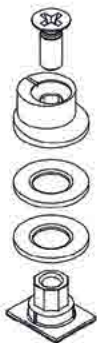


CREMONE CONNECTION BLOCK GS888

02262

Functions

The Connecting Block for cremone art. 02262 performs the function of extension between a cremone pin and the rod beneath, in curtain wall facade series in which the sash is particularly wide.



ADJUSTABLE LOCKING PAWL

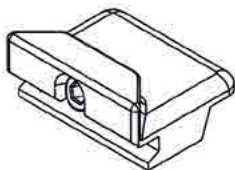
04042K

Functions

Closing element to be fitted directly on the rods in the series.
Allows the locking tension to be adjusted by simply rotating the cam.

STRIKER FOR ADJUSTABLE FASTENER PAWL

01343K

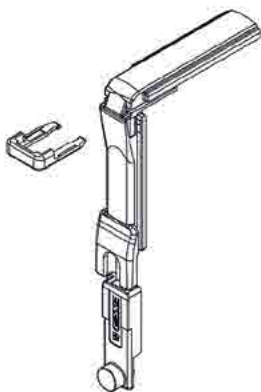


Functions

Striker specifically designed for use with adjustable fastener pawl (art. 04030K)

CORNER DRIVE GROOVE 15/20 FUTURA

04019K



Functions

Component for moving the hardware from the cremone side to the upper and / or lower crossbeam

Section No	Page No
10123	54
10124	54
10330	51
10362	51
10363	51
10429	53
10431	53
11052	58
11225	56
11387	57
11619	55
11620	55
11621	54
11622	54
11678	56
11679	56
11724	57
11725	50
11726	56
11727	57
11730	57
11735	48
11743	50
11743	59
11744	59
11779	58
11792	51
11793	51
11793	53
11809	53
11867	57
13303	56
13304	56
14152	53
14153	52
14154	52
14239	56
14646	58
14647	56
14648	56
14649	52
14650	52
14651	52

Section No	Page No
14687	51
14688	51
14689	51
14719	53
14844	59
16596	54
16597	54
20117	44
20342	41
20720	56
20721	43
20821	44
21140	41
21548	57
21549	57
21557	39
21558	43
21579	56
21601	11
21602	19
21603	24
21611	48
21612	48
21669	14
21670	26
21680	16
21681	43
21691	9
21709	23
21730	29
21731	57
22170	57
24103	20
24104	31
24245	49
24246	49
24255	14
24256	28
24290	22
24291	32
26222	29
26223	34
26300	35

Section No	Page No
26413	27
26414	33
26471	53
27160	38
27450	42
70001	36
70002	47
70003	36
70004	35
70005	37
70006	38
70007	36
70008	55
70009	31
70010	49
70011	35
70012	35
70013	47
70014	25
70015	11
70016	10
70017	13
70018	23
70019	24
70020	25
70021	30
70022	20
70023	20
70024	20
70025	33
70026	40
70027	40
70028	47
70029	15
70030	17
70031	57
70032	57
70033	57
70034	49
70035	21
70036	21
70037	32
70038	23



**NATIONAL ALUMINIUM
PRODUCTS COMPANY SAOG**

OMAN

Corporate Office and Factory
National Aluminium Products Co.
PO Box 15, Rusayl, PC 124, Sultanate of Oman
Phone: 00968-24446450, Fax: 00968-24446453
Email: sales@napco.co.om, info@napco.co.om

National Aluminium Products Co. - Branch Office
PO Box 116912, Dubai,
Office 12, Tower A, Empire Heights, Business Bay
Phone: +97144295725 / +97144295724

www.napcooman.com