



NATIONAL ALUMINIUM
PRODUCTS COMPANY SAOG

Folding Catalogue



04-2020-V.01

All rights reserved.

No part of this publication may be reproduced, stored in a retrieval system or transmitted in any form or by any means electronic, mechanical, photocopying, recording or otherwise, without prior permission of NAPCO.



HIS MAJESTY SULTAN QABOOS BIN SAID



Index

Company Profile	05
Technical Information	06
Folding	09
Cross-Sections	12
Accessories List	36
Profile Index	43



About Us

National Aluminium Products Company SAOG (NAPCO) was established in 1984 and is one of the leading extruders of aluminium profiles in the GCC market. Located in the Sultanate of Oman, the manufacturing plant is spread over 65,000 sq meters in the Rusayl Industrial estate.

NAPCO offers a wide range of Aluminium profile extrusions in finishes that suit functional modern design specifications. The company has left its mark on the architectural landscape of the Middle East with its renowned quality products being used in a number of prominent structures.

Our annual production capacity is 42,000 MT with four (4) state of the art presses. The extrusion presses are complemented by one anodizing line and two powder coating lines (vertical & horizontal). NAPCO also houses two wood finish lines and a crimping and bending facility.

NAPCO's commitment to quality has made it the first extrusion company in the Gulf to receive ISO certifications. We are also the only public limited aluminium extrusion company in the entire GCC.

With a consistent focus on innovative production skills and high service standards, we will continue our objective to meet customer demands and expectations.

Technical Information on Aluminium extrusions supplied by NAPCO

A. Equipment & Capacity

Extrusion Press: 4

2000 MT (8') SMS Germany

2800 MT (9') Danieli Breda, Italy

1800 MT (7') Tecalex, Spain

1800 MT (7') Tecalex, Spain

Powder Coating Plant: 2

Horizontal Type, Ercon, UK

Vertical Type, Trasmetal, Italy

Anodizing Line: 1

SAS, Germany

Wood Finish: 2 NATURALL, Italy.

Crimping & Bending Facility.

• Current Capacity Per Annum

Extrusion: 42,000

Powder Coating: 27,000

Anodizing: 2,400

Wood Finish: 1,500

B. General Specification

Max profile size CCD 305mm

(*indicative size)

C. Product Range

NAPCO offers a range of over 6000 profiles to suit the architectural and manufacturing industry. NAPCO also develops exclusive dies for customers against their own designs.

• Aluminium extrusions in:

Mill Finish

Anodized

Powder Coated and Natural Wood Finish

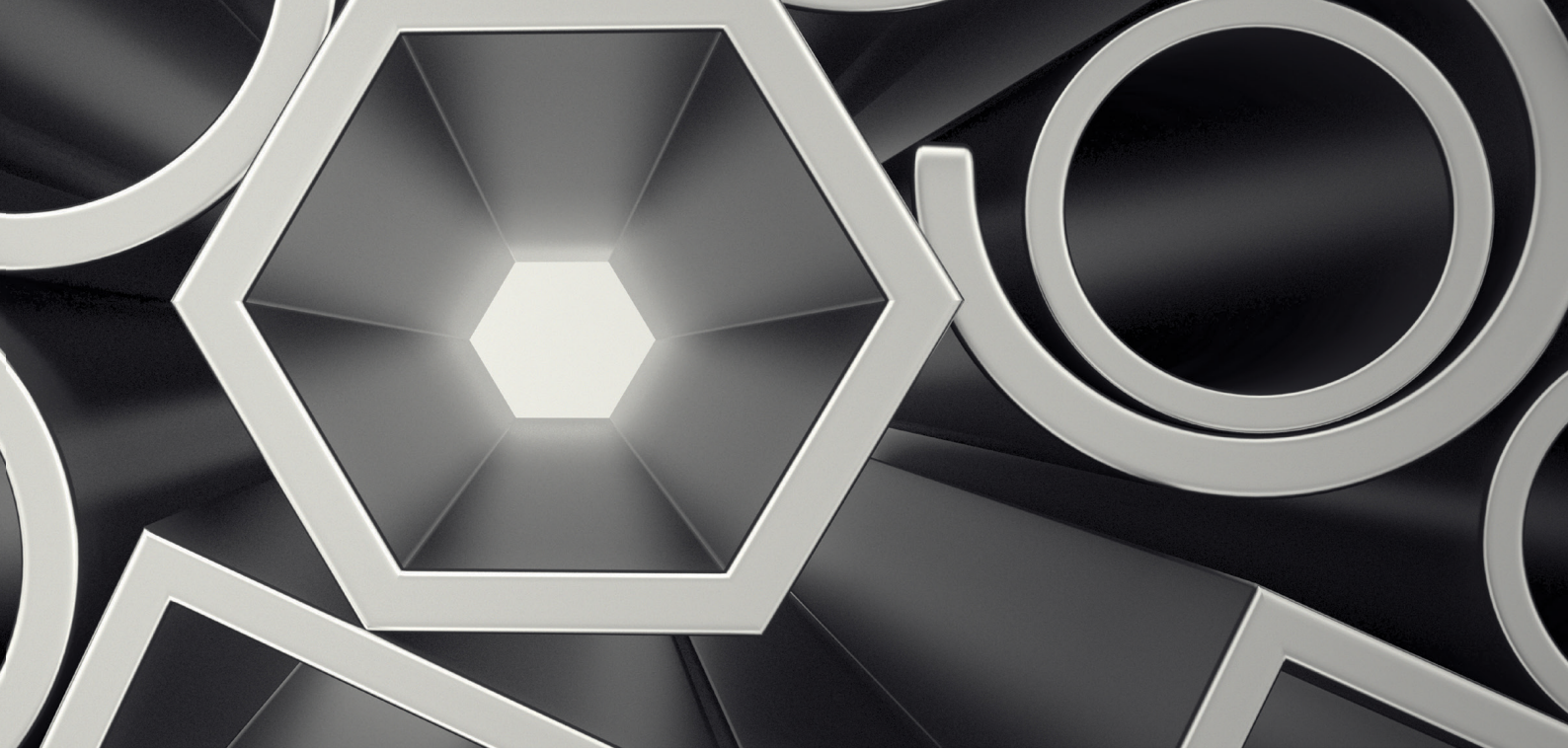
• Façade Systems:

NAPCO is in partnership with world renowned façade system houses in the GCC. Please contact us to discuss your best-fit solution.

D. Anodizing

NAPCO has one anodizing line employing sulphuric acid anodizing process offering a wide range of colour shades such as Silver, Bronze and Black with scope of development of other shades to suit customer requirements.

Specifications: DC Sulphuric Acid Anodizin
As per EN 1 - 12373 and BS 1991 3987
Qualanod Approved



E: Powder Coating

NAPCO has two powder coating lines (horizontal & Vertical) with IR curing ovens. The colour coat thickness in exposed areas is Around 80-60 microns. The new vertical line is able to accommodate profile lengths up to 8 meters.

Qualicoat Approved.

Natural finish is available in seven combinations of Wood patterns.

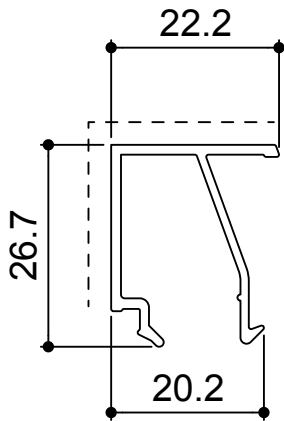
Specification: As per 6496

F. Certifications

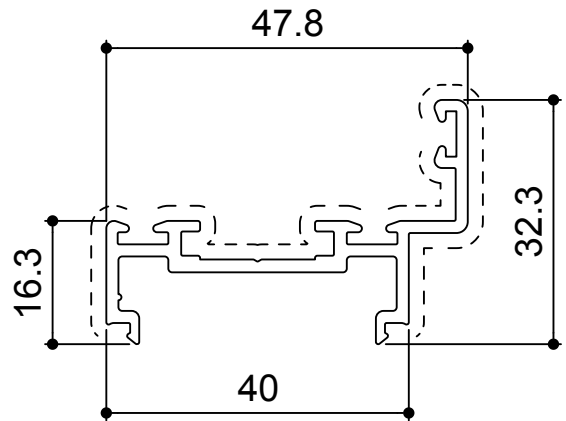


Folding

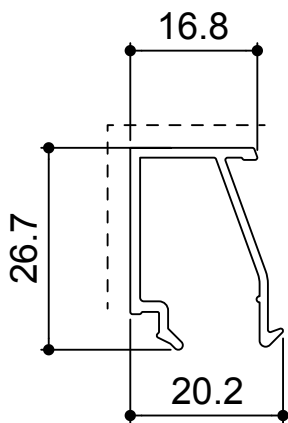




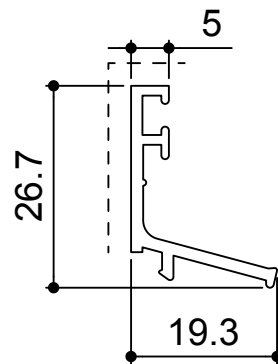
16785
(0.269 Kg/m)



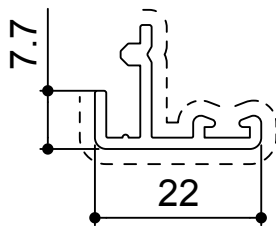
16787
(0.543 Kg/m)



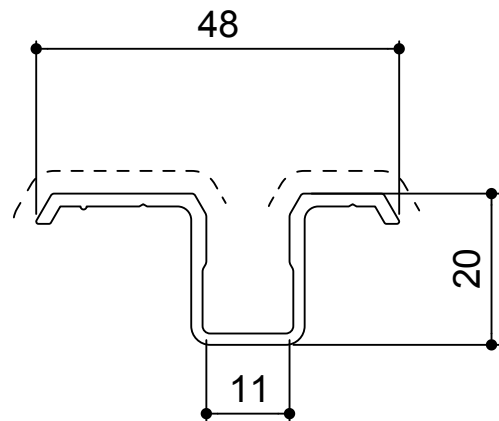
16786
(0.250 Kg/m)



16789
(0.224 Kg/m)

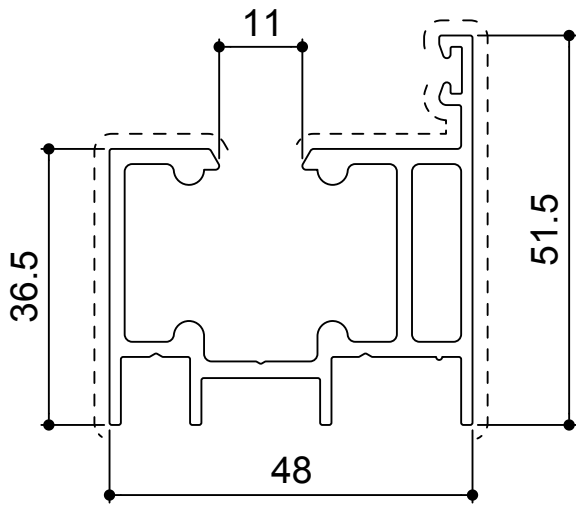


16788
(0.218 Kg/m)

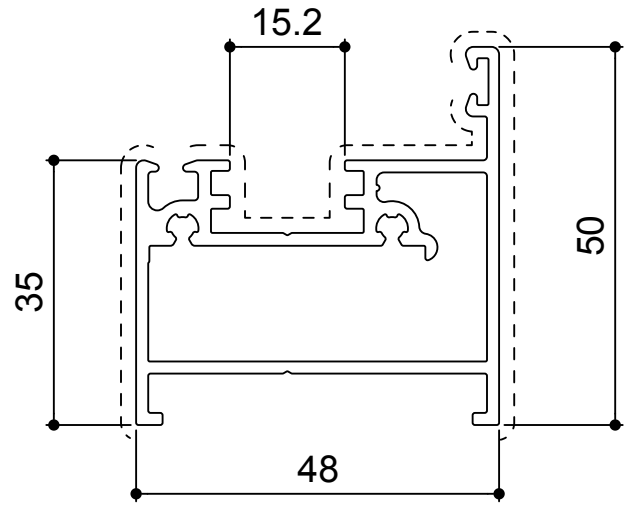


16790
(0.384 Kg/m)

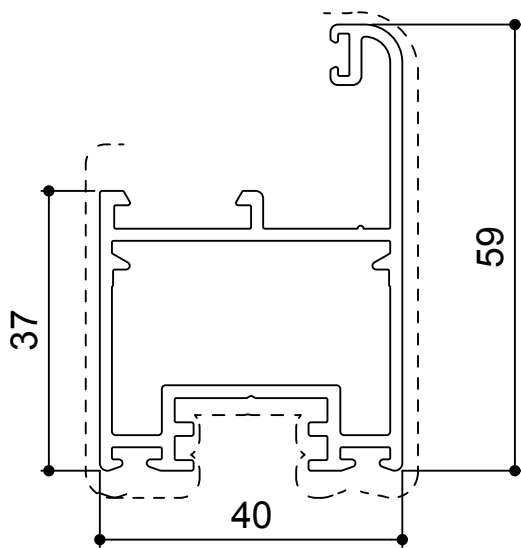
Folding



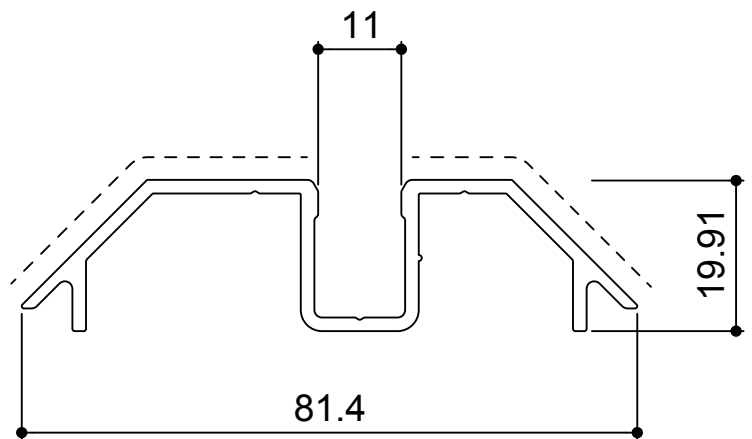
27675
(1.164 Kg/m)



27673
(1.048 Kg/m)

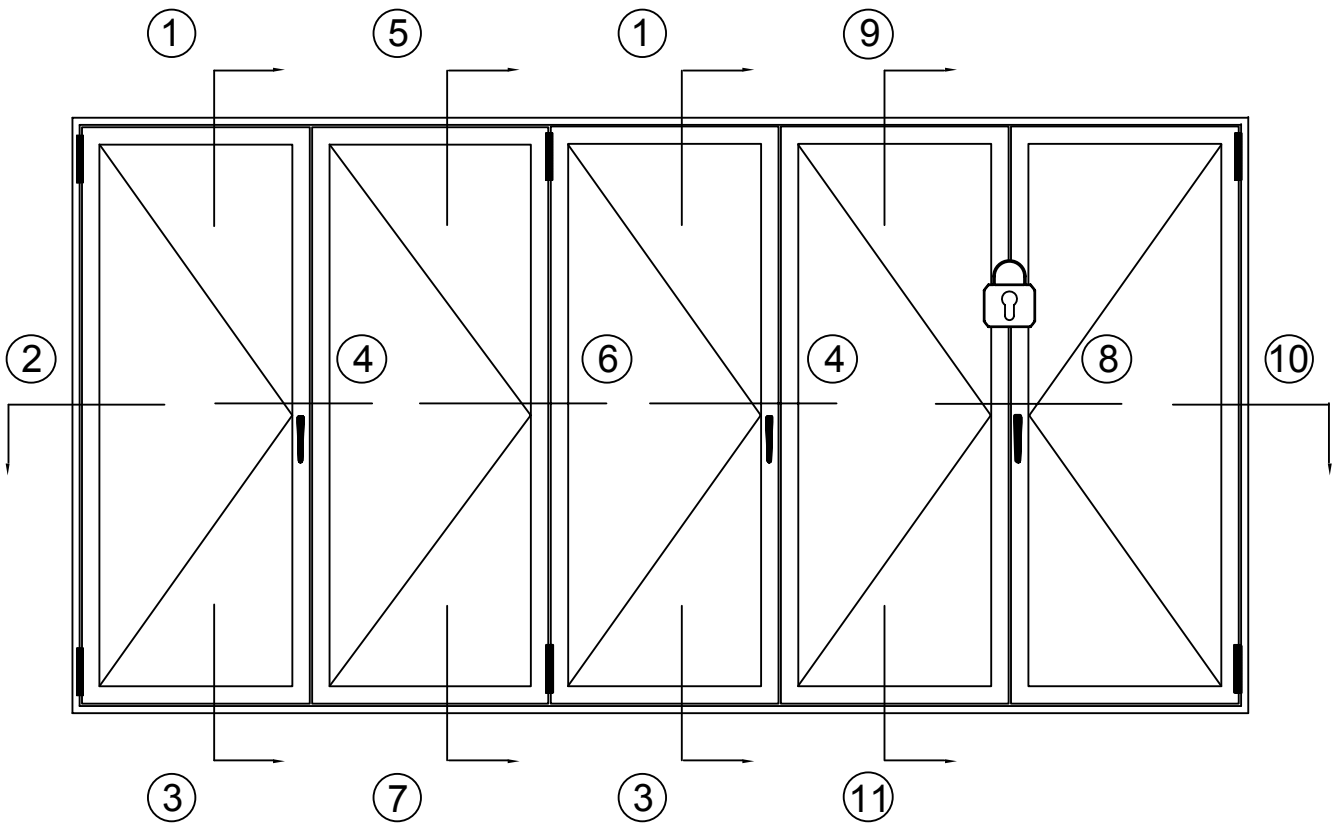
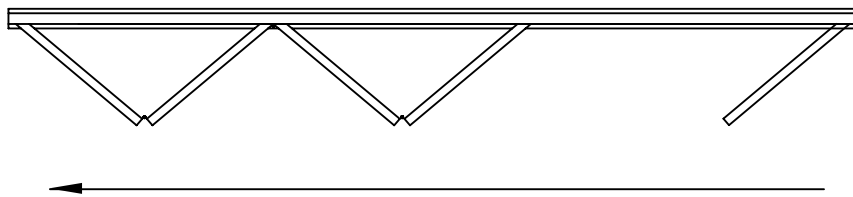
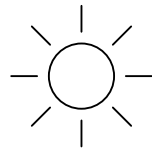


27674
(1.013 Kg/m)



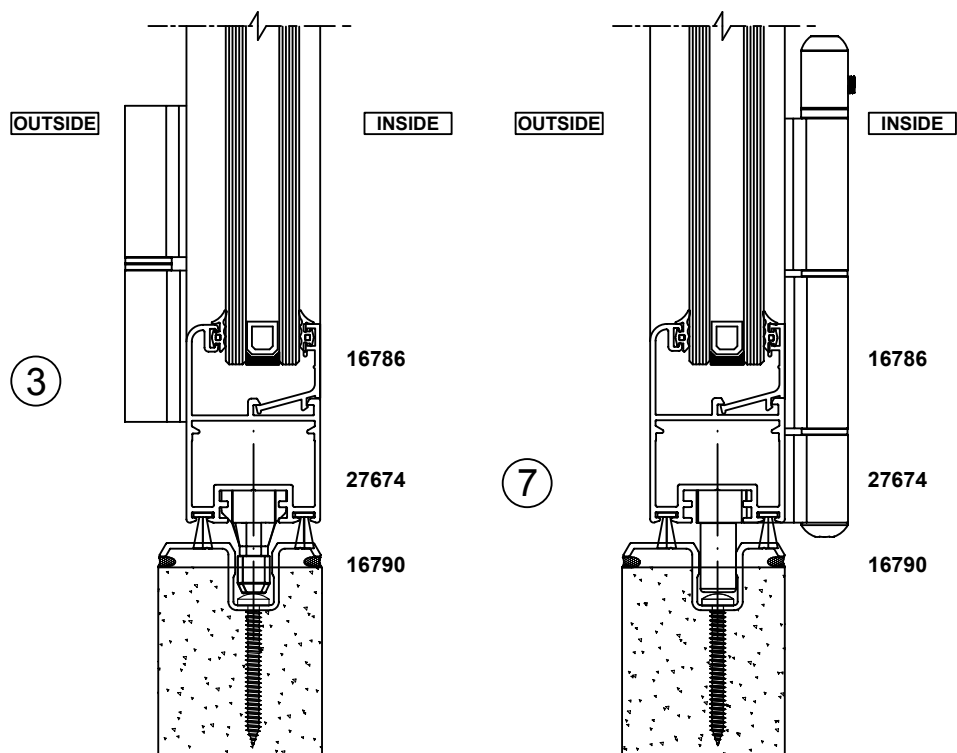
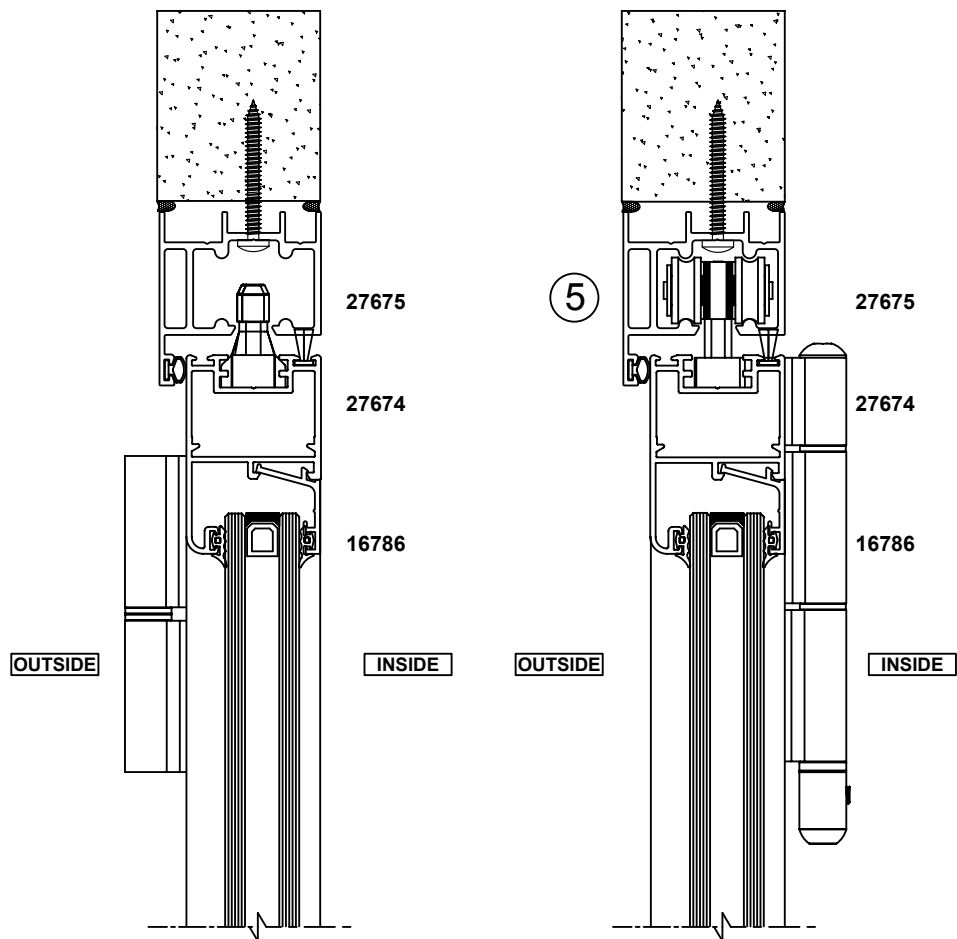
16908
(0.707 Kg/m)

Inward Opening Sections

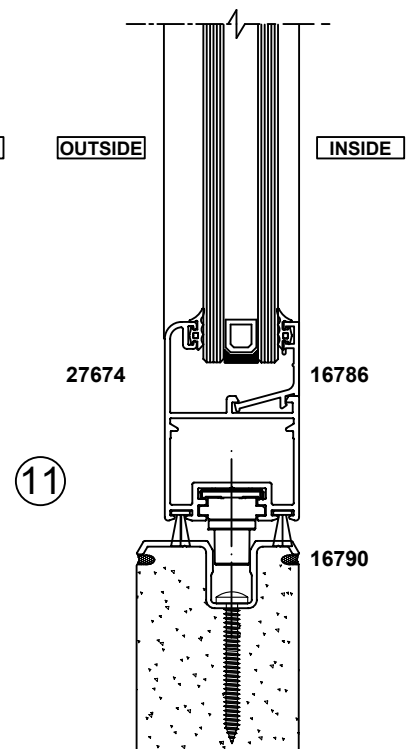
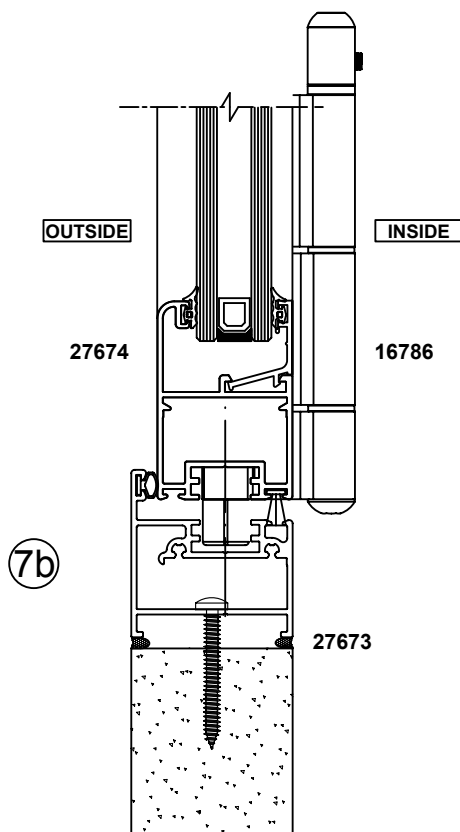
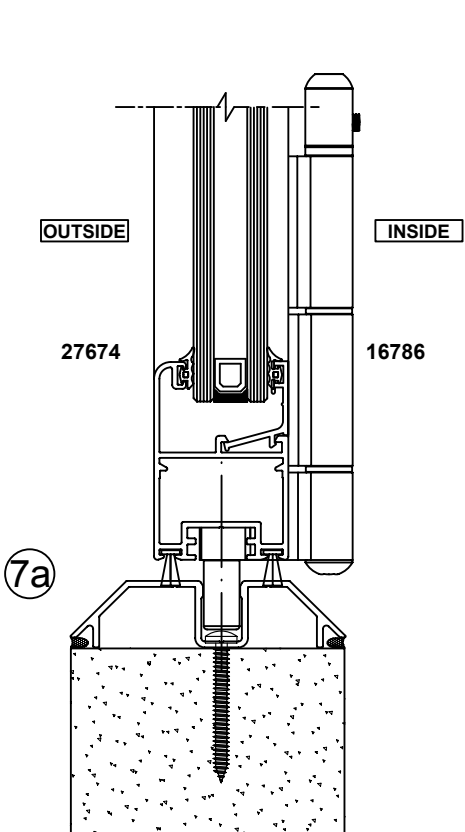
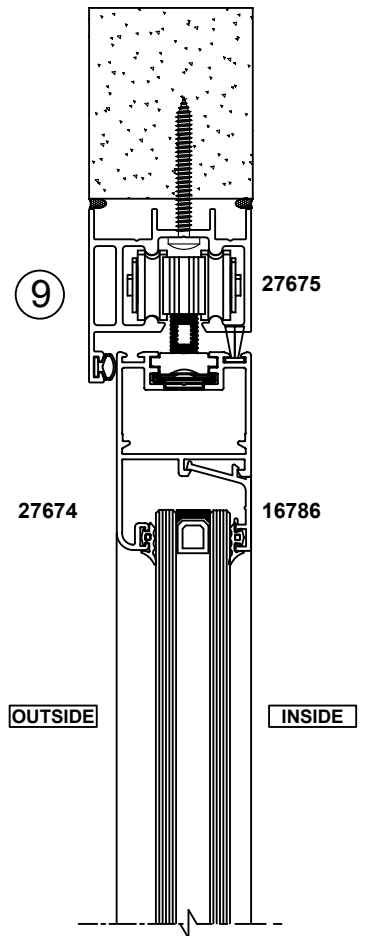


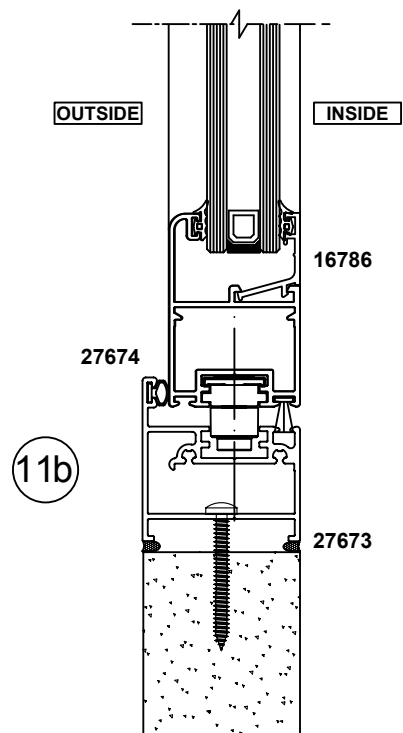
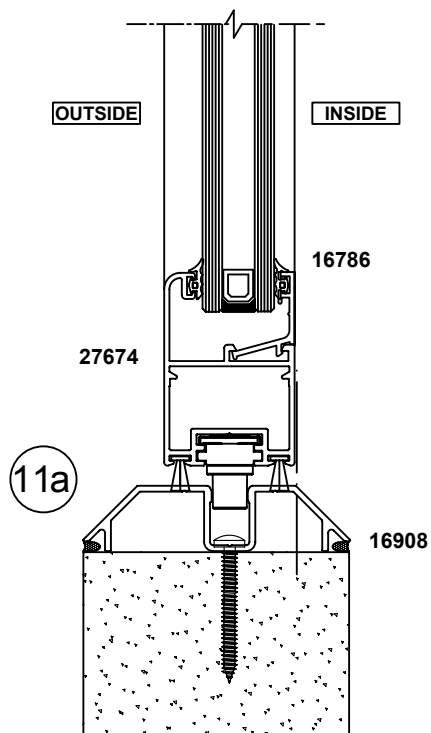
4 + 1 Ante / Sash

Folding

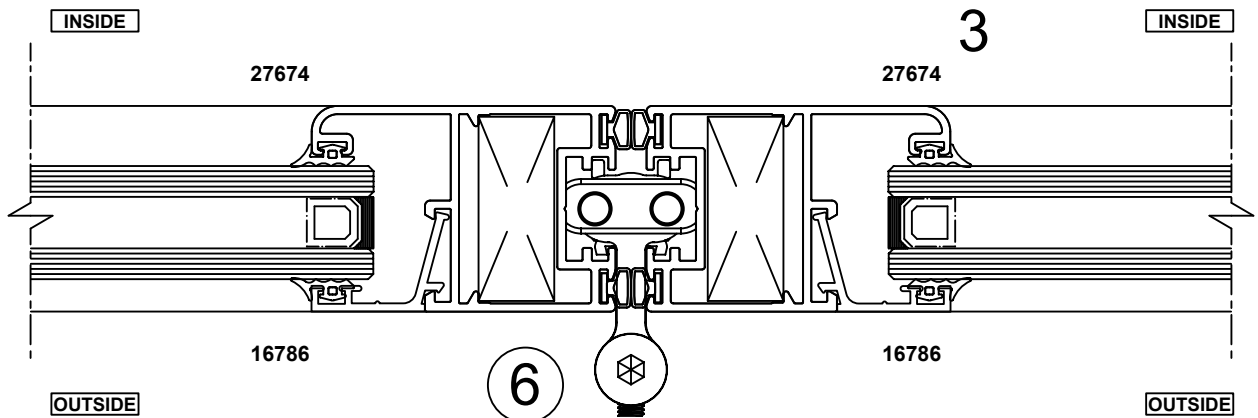
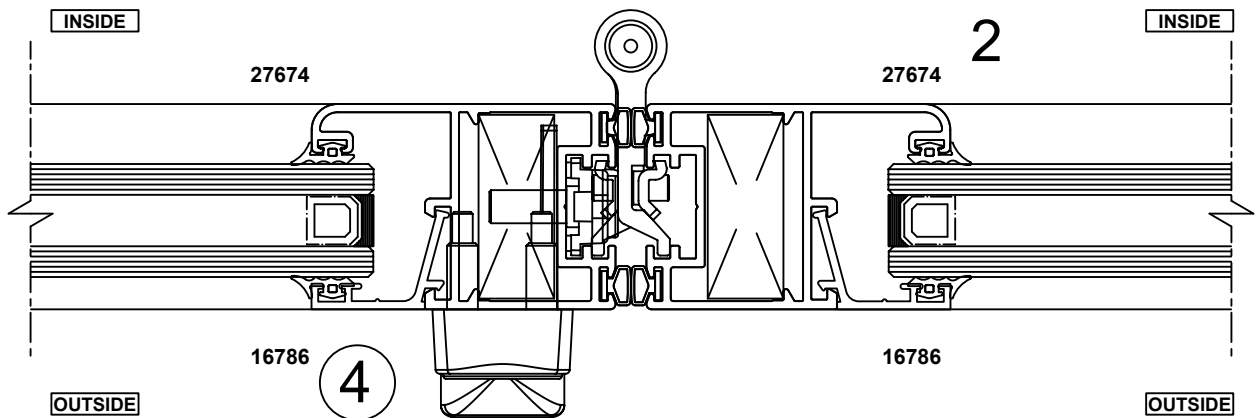
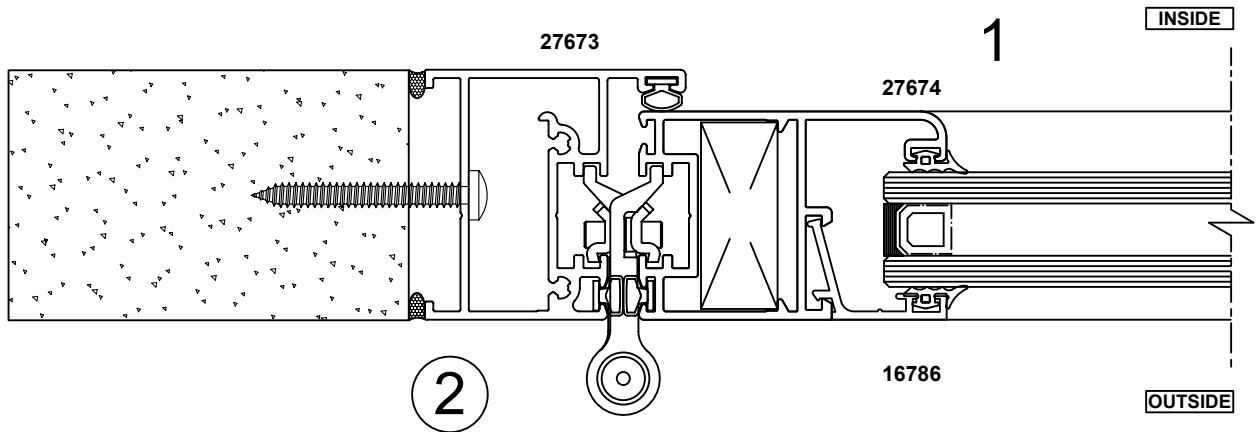


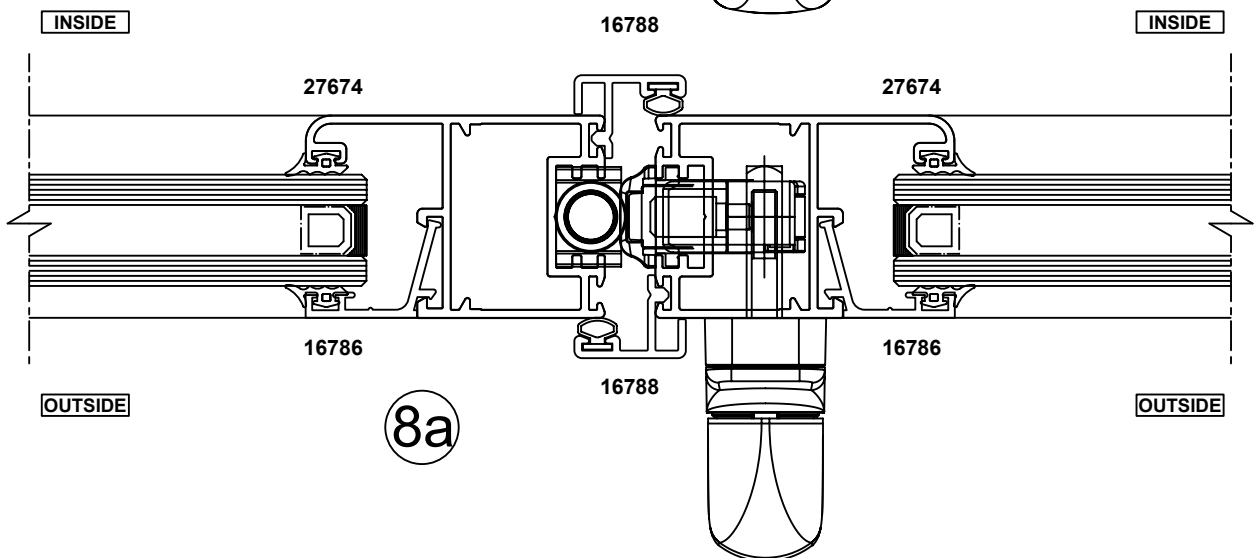
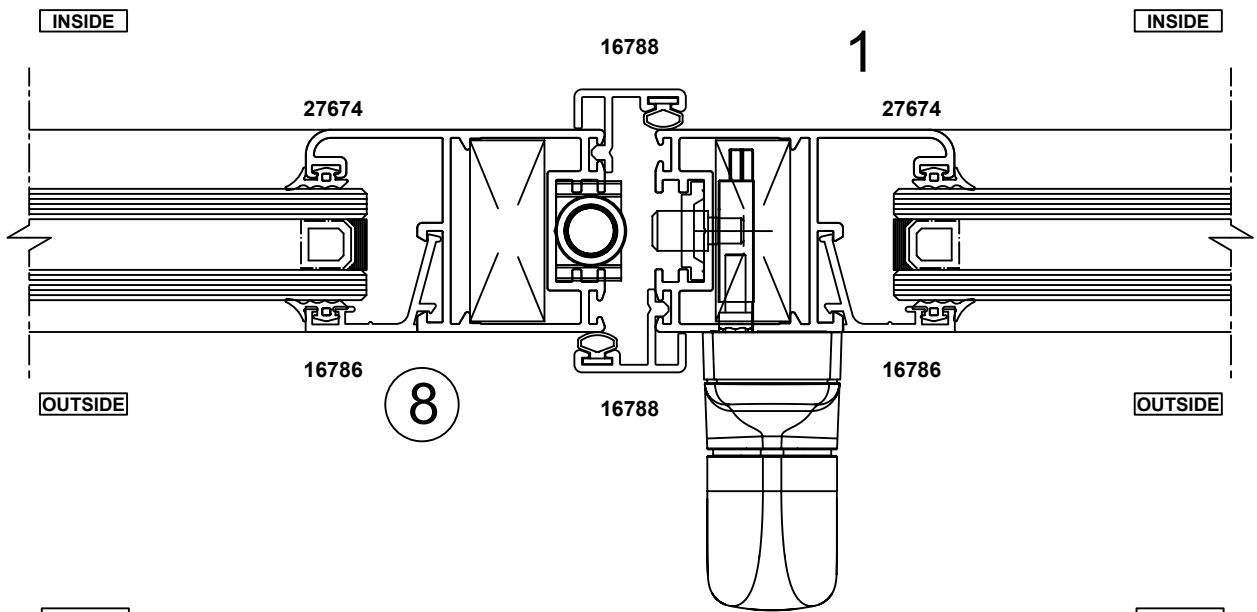
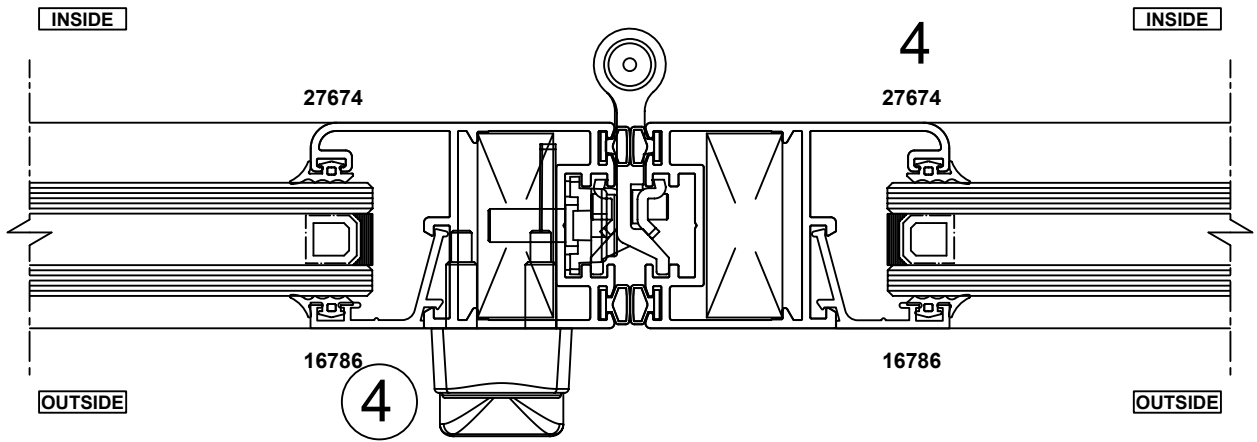
Folding

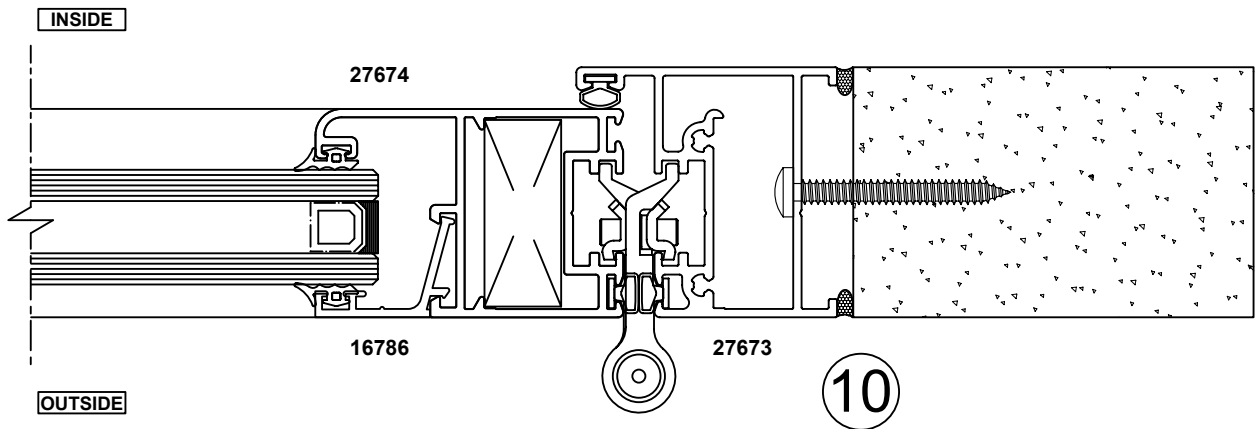
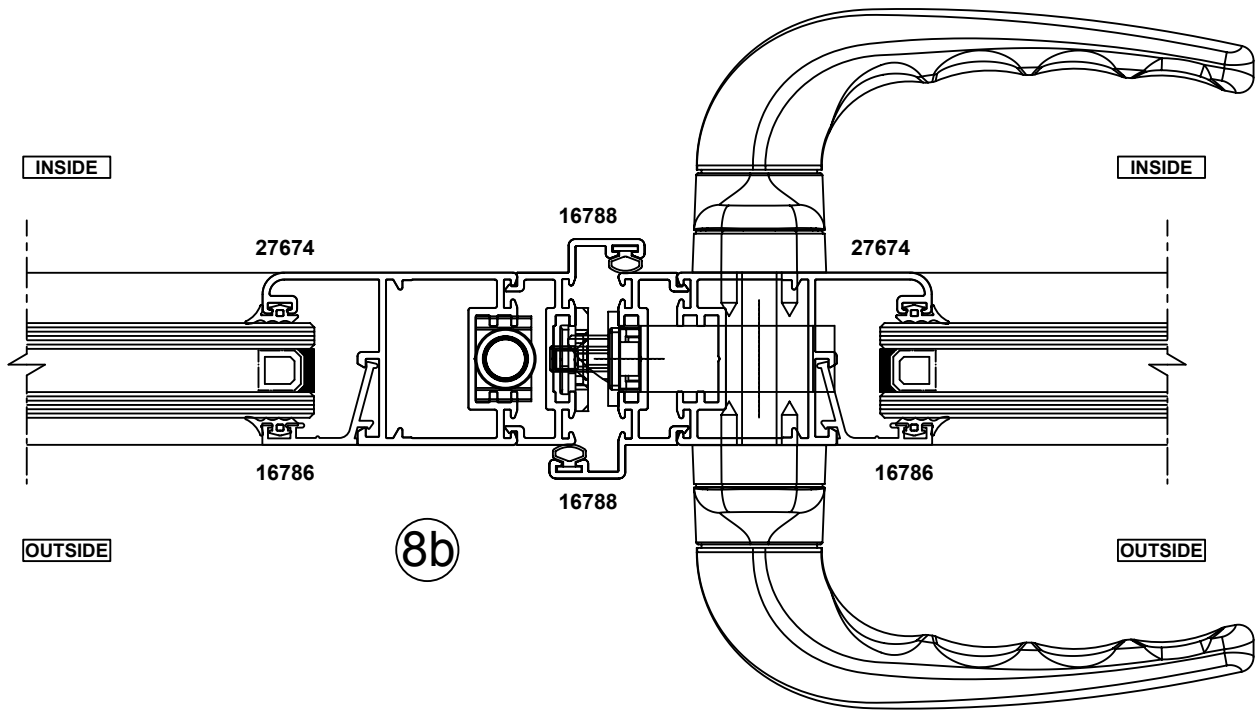




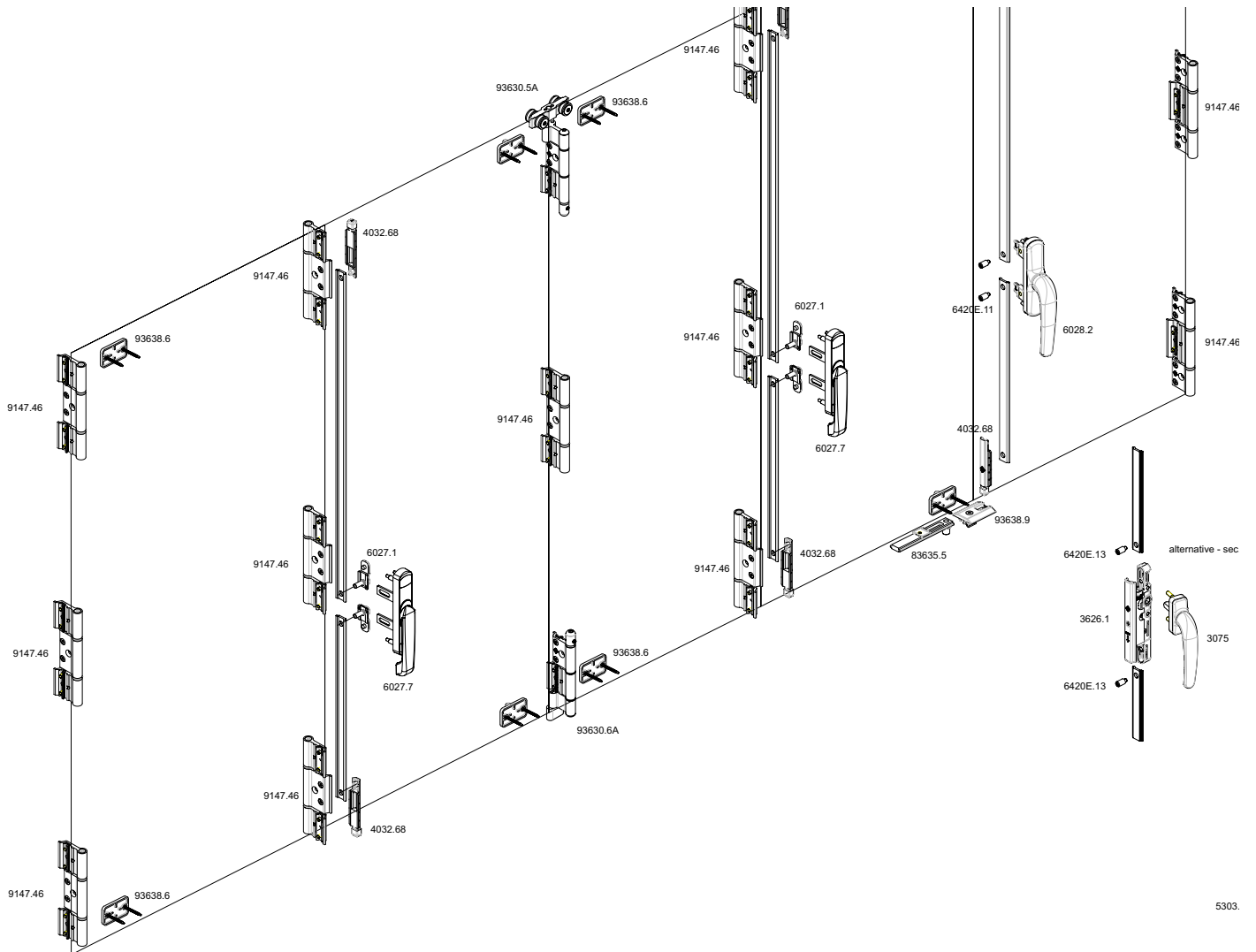
Folding





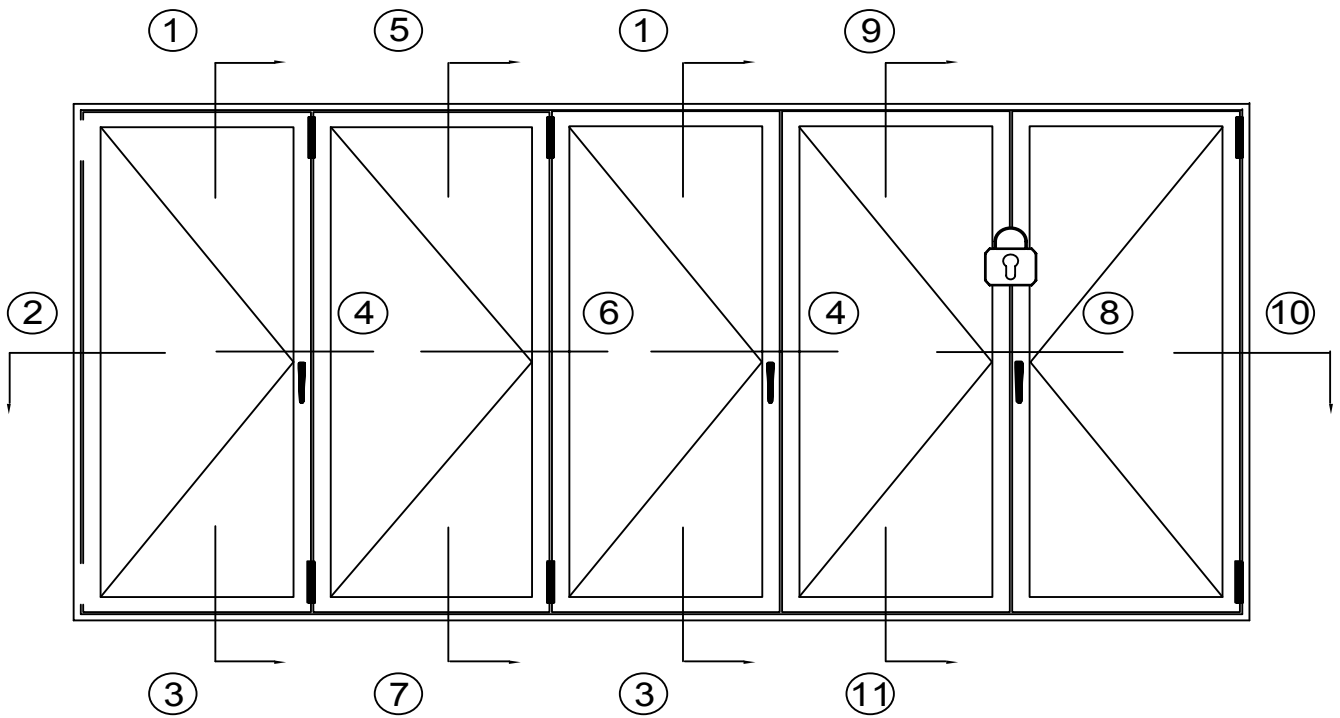
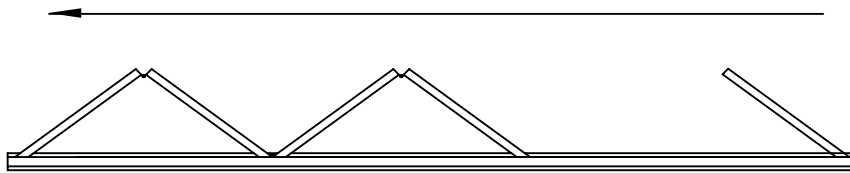
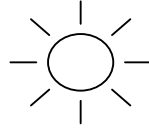


Folding



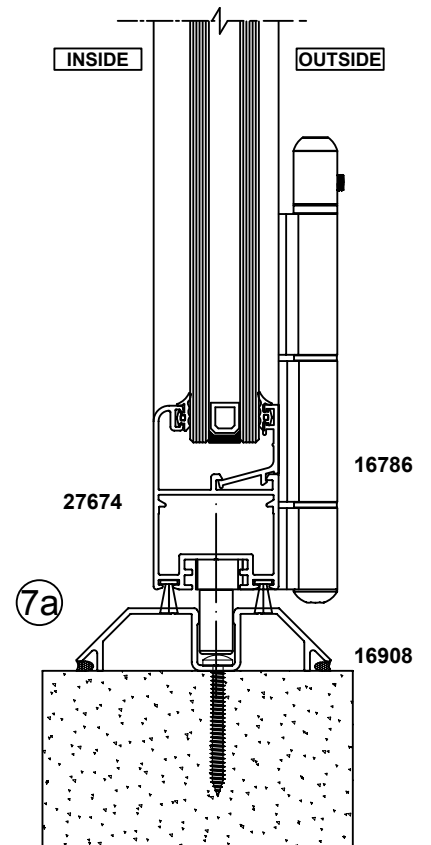
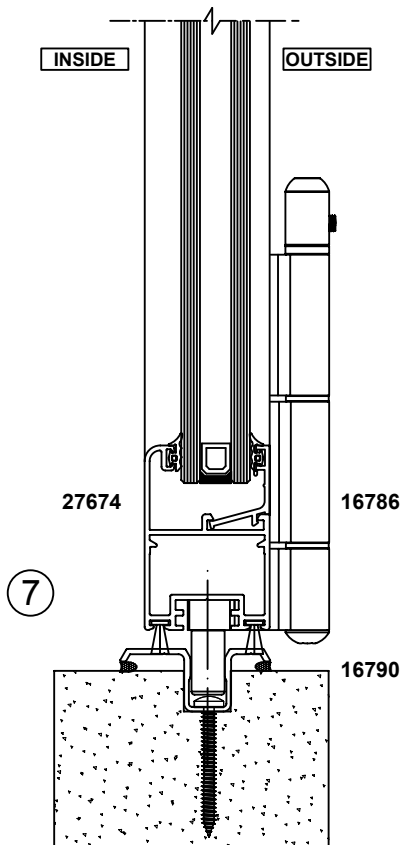
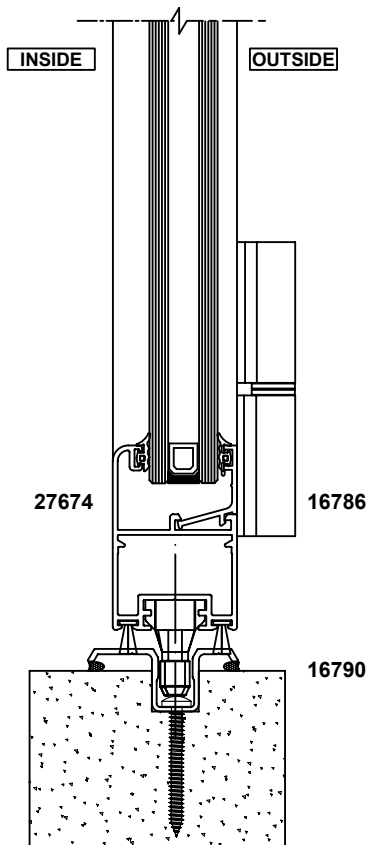
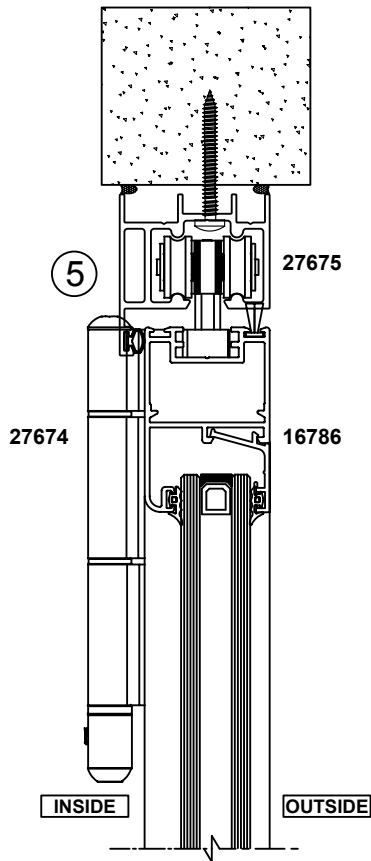
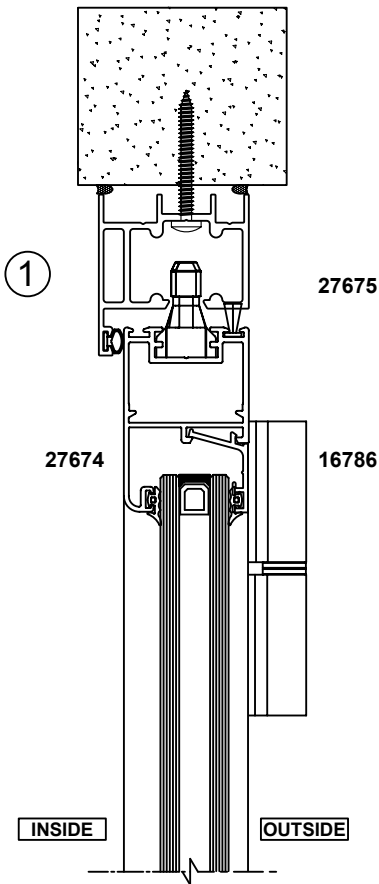
5303.

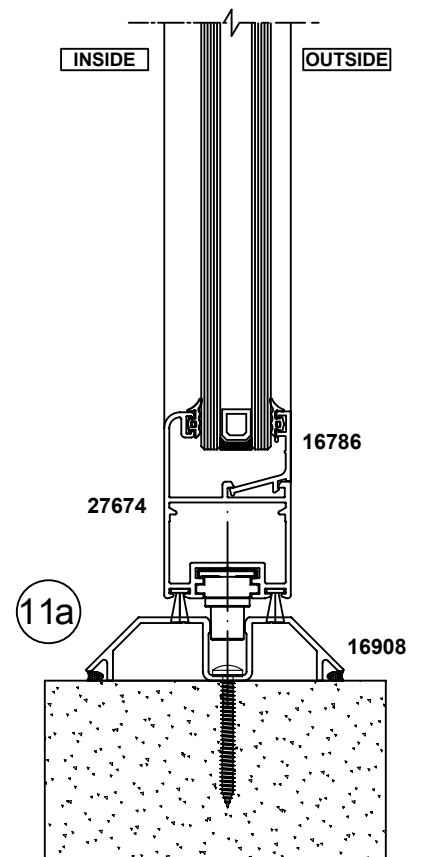
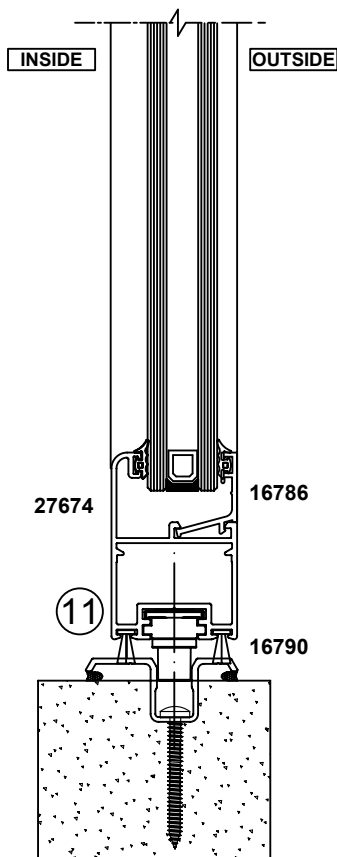
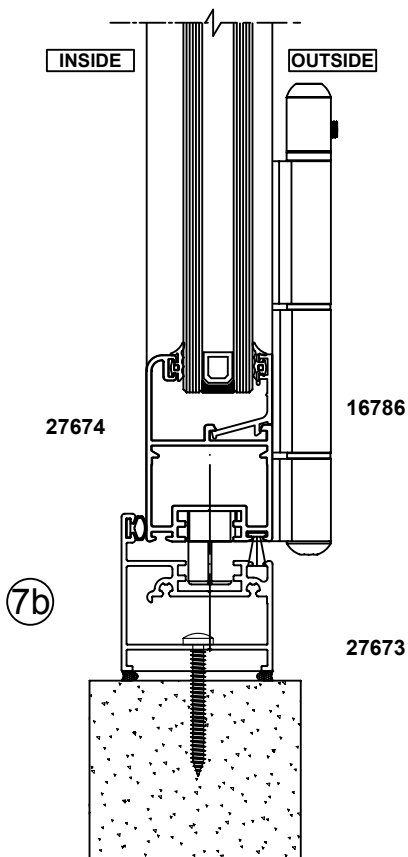
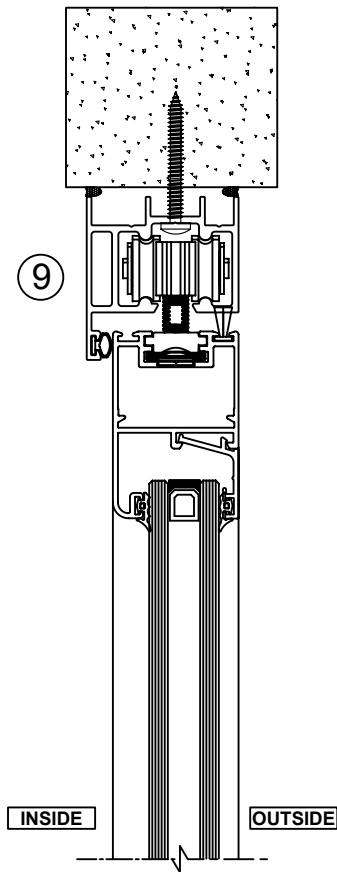
Outward Opening Sections

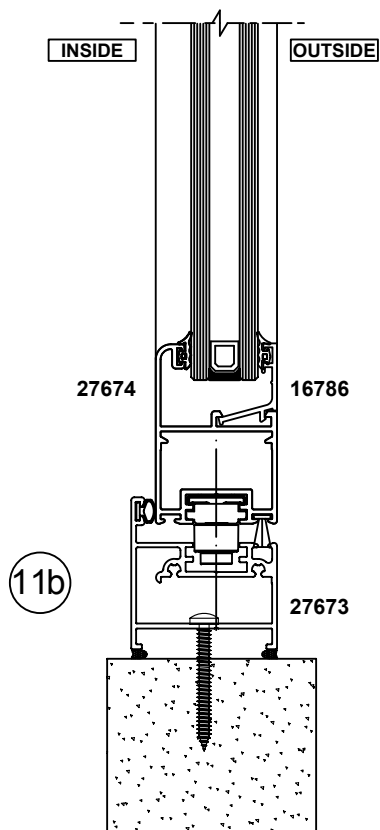


4 + 1 Ante / Sash

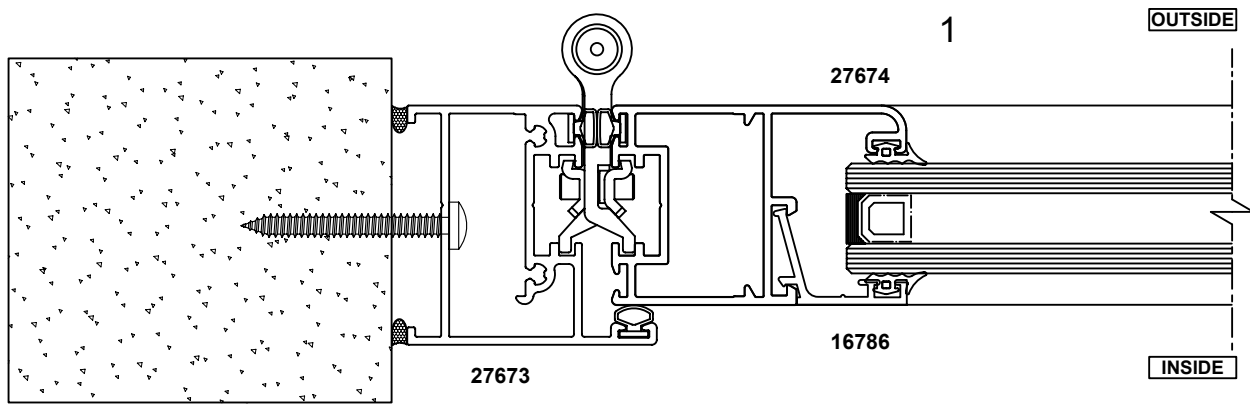
Folding



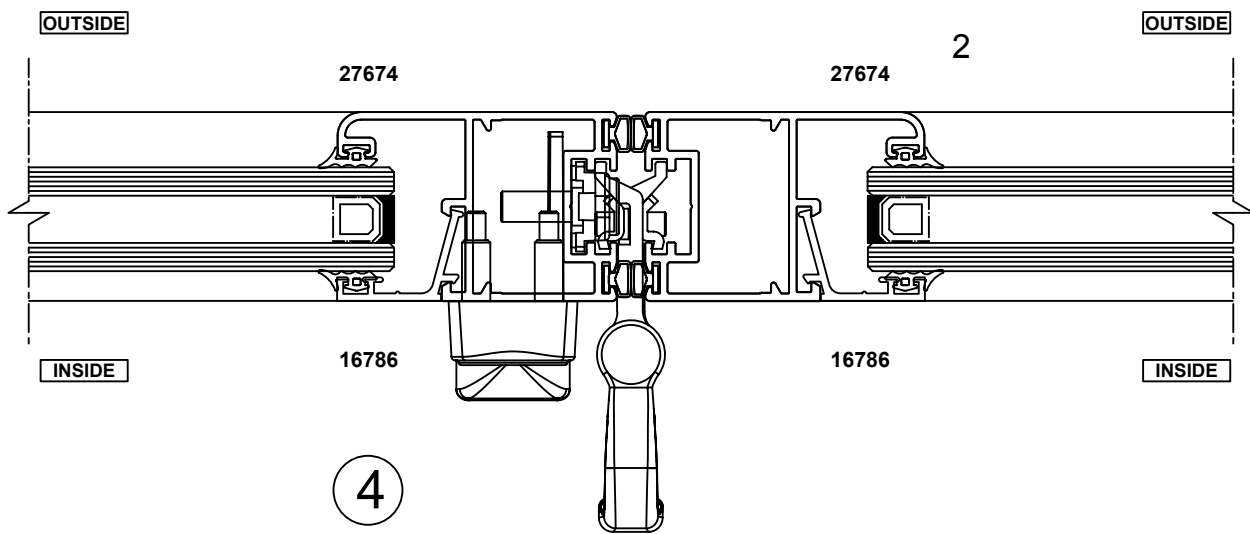




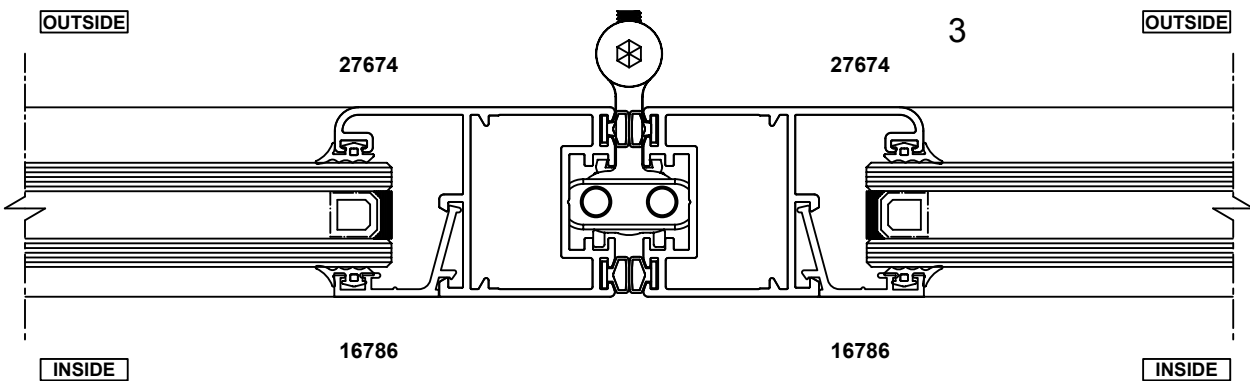
Folding



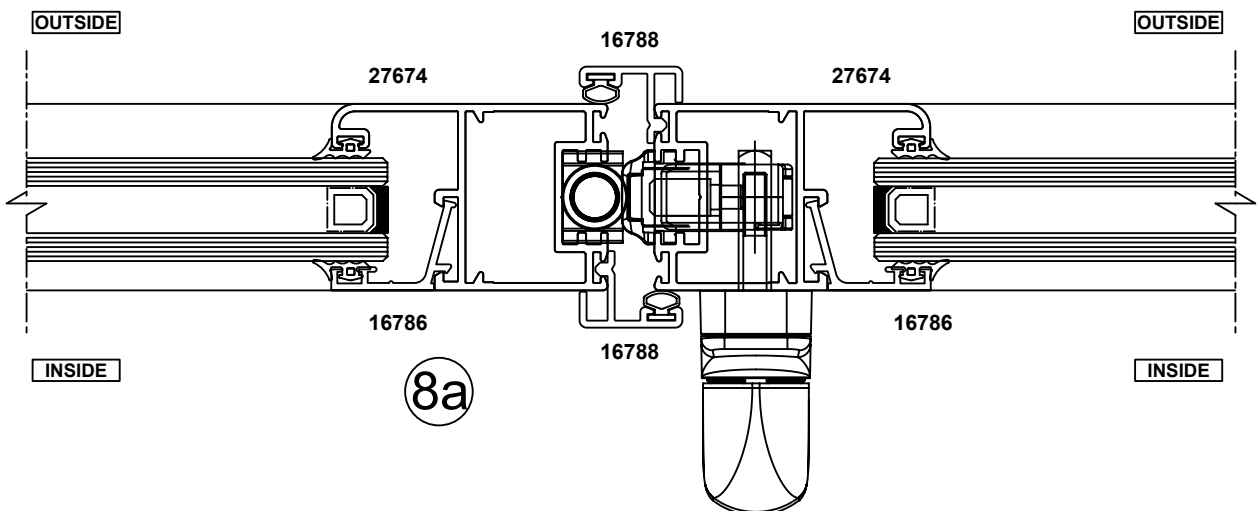
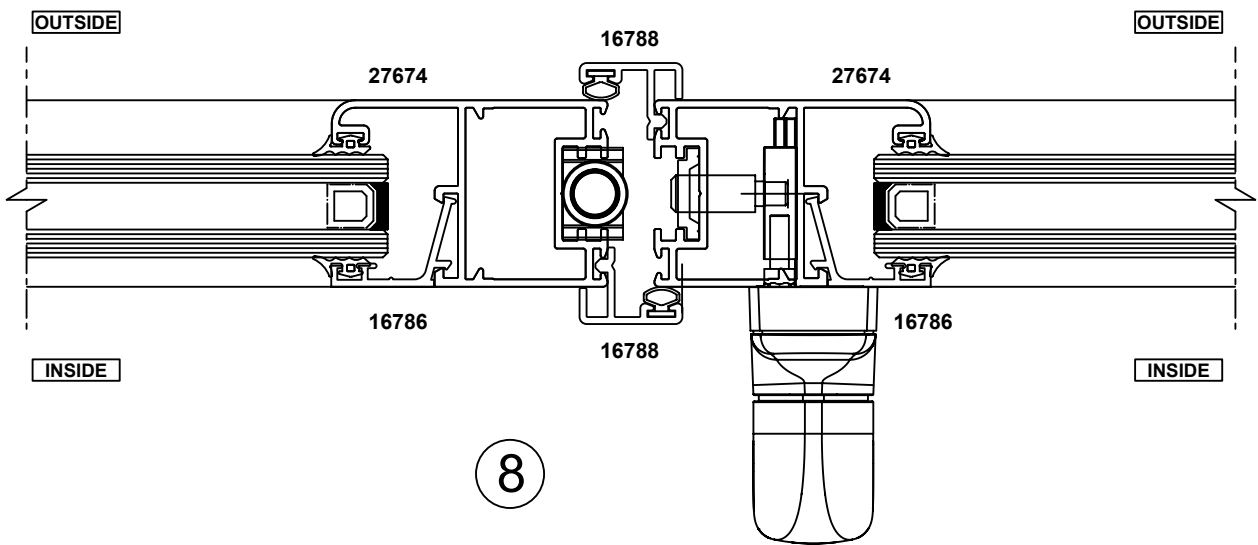
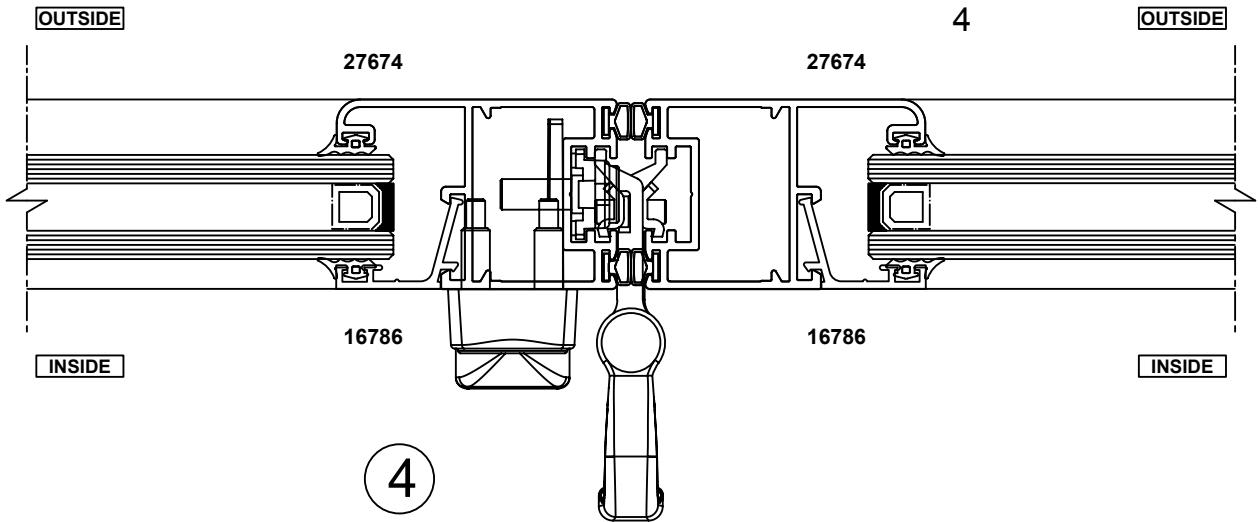
2

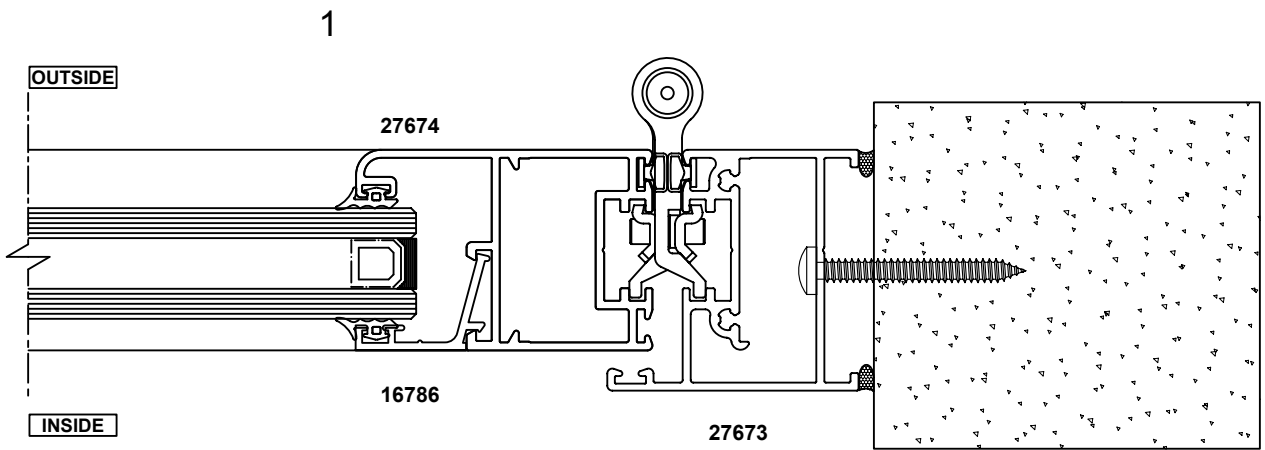
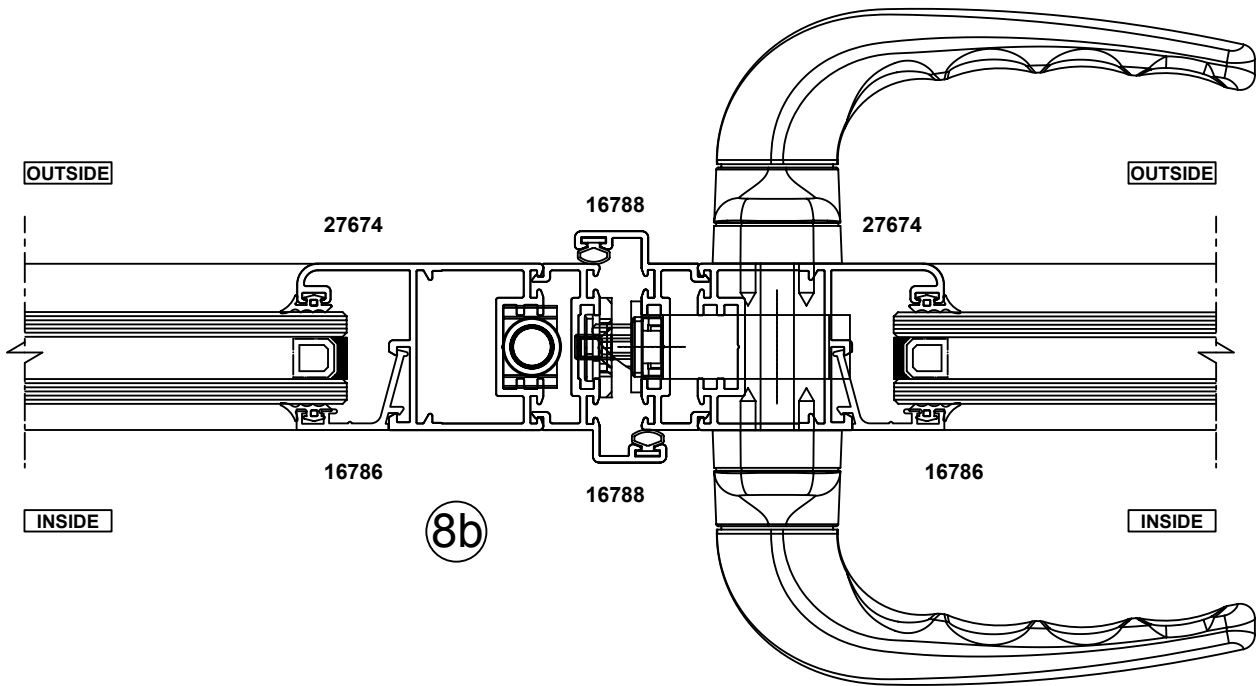


4



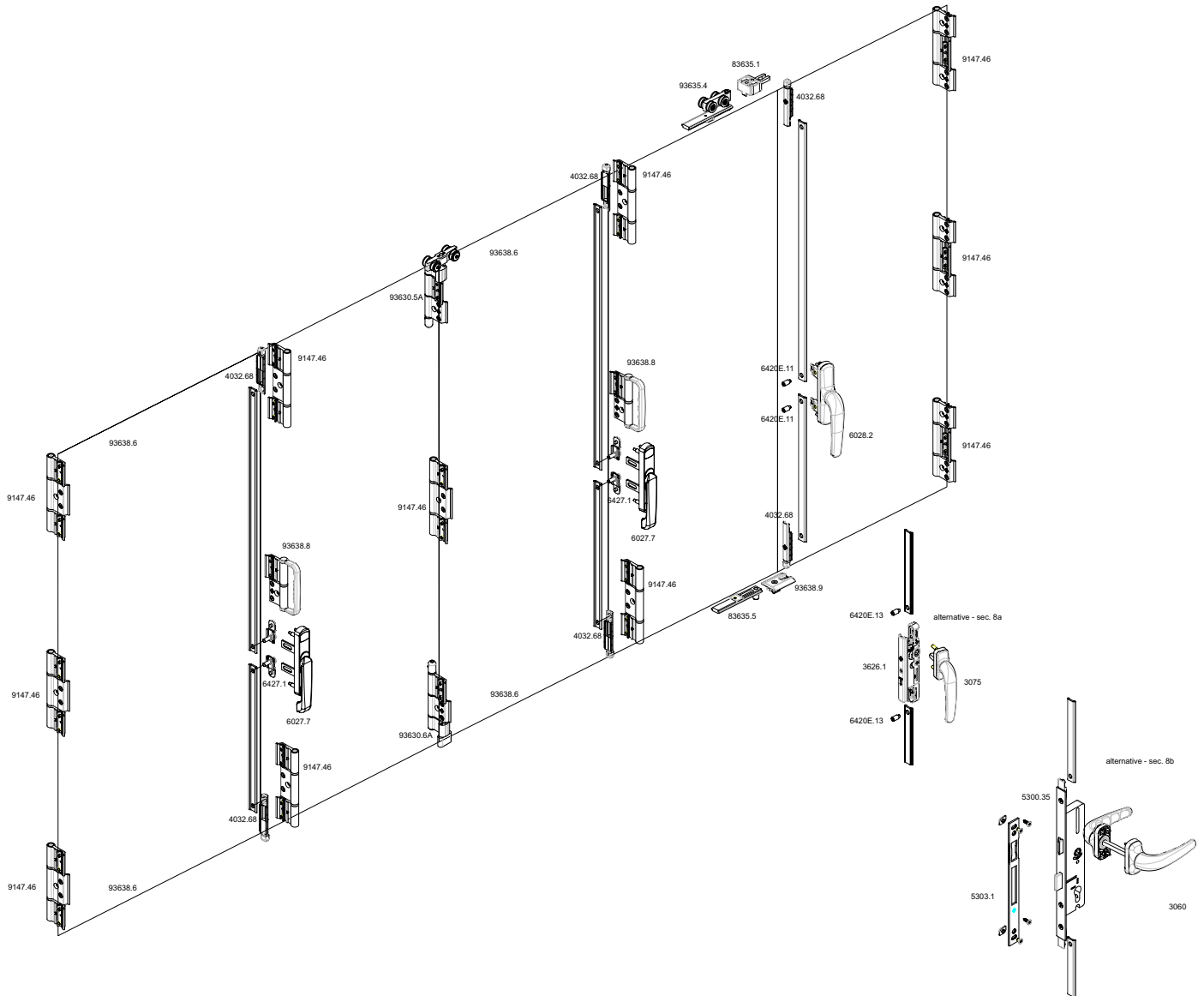
6



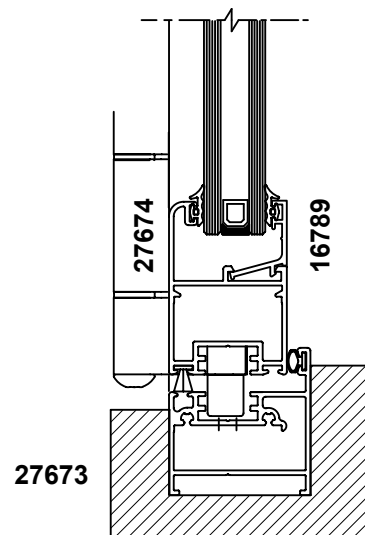
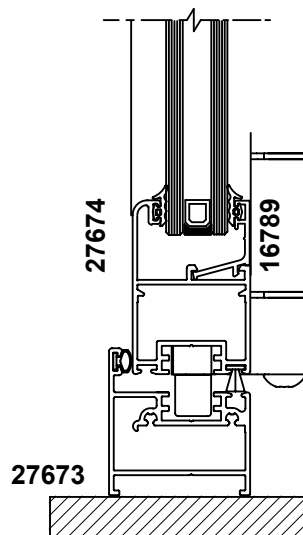
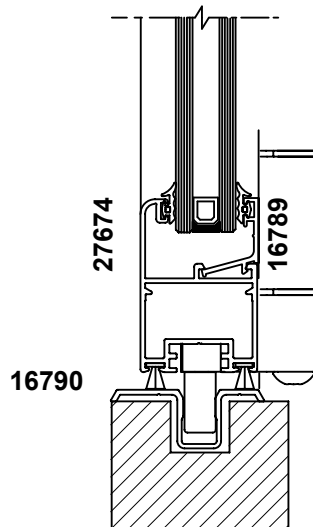
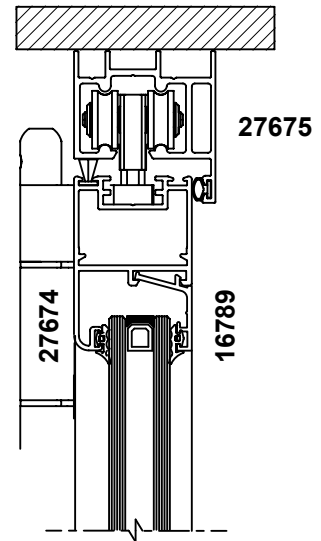
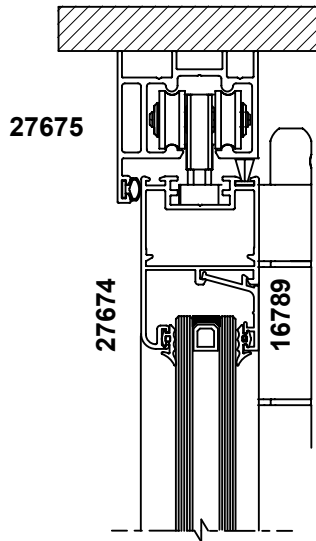
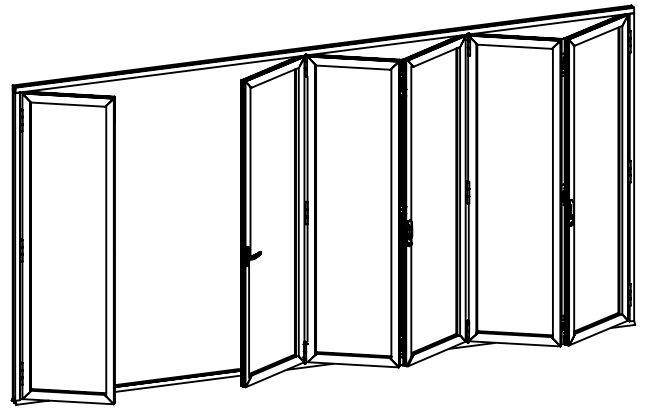
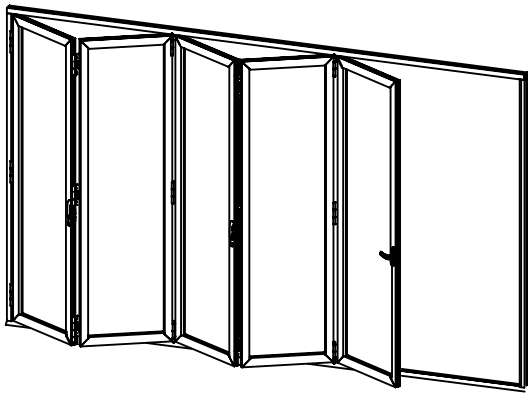


10

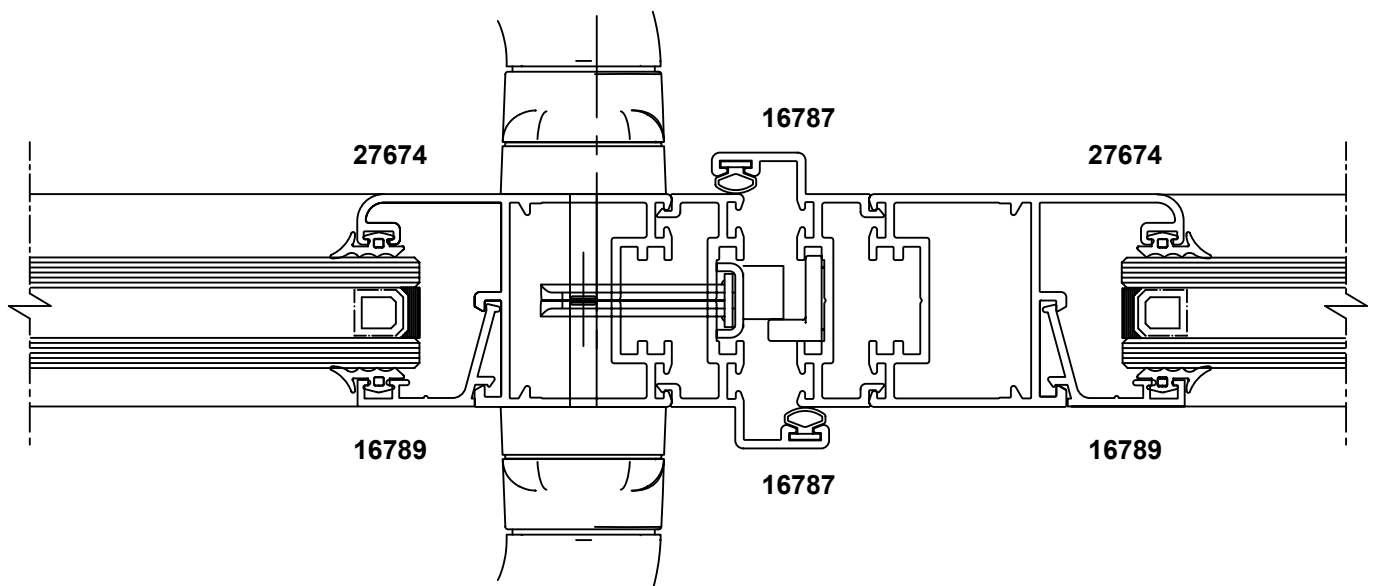
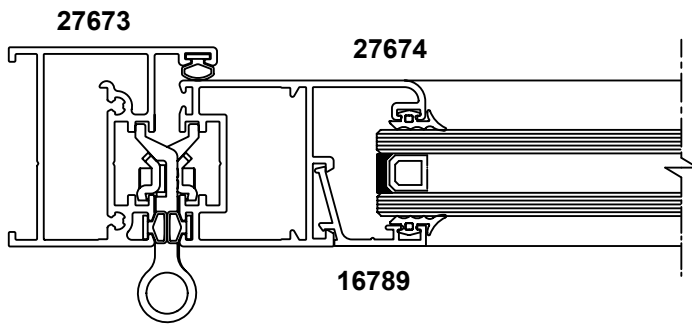
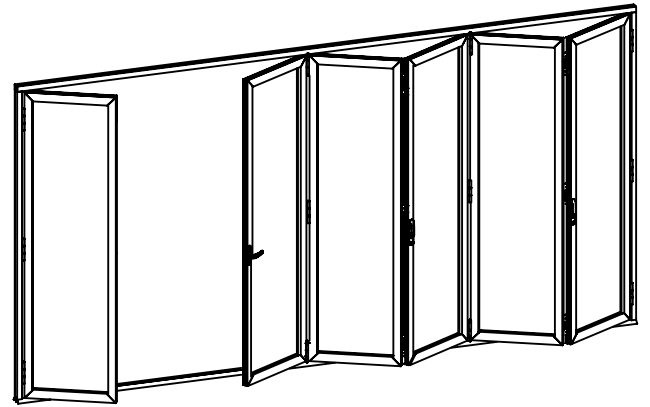
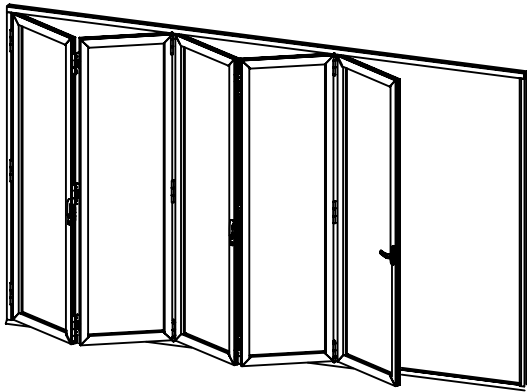
Folding



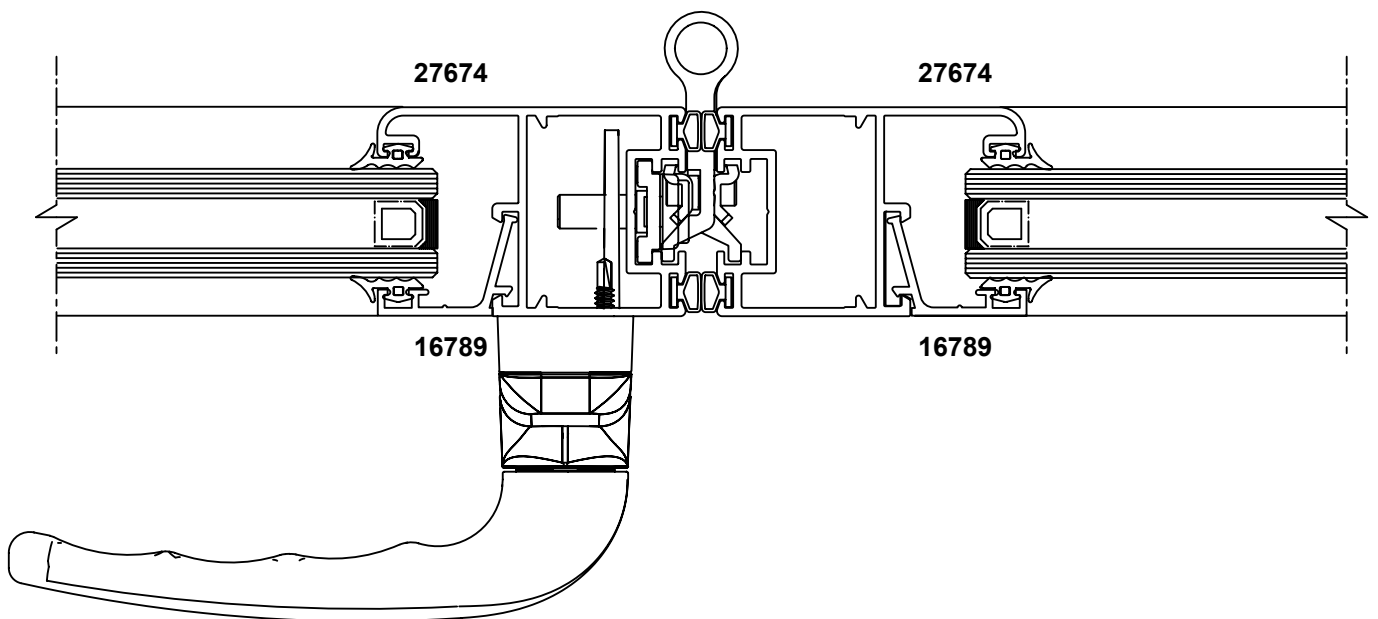
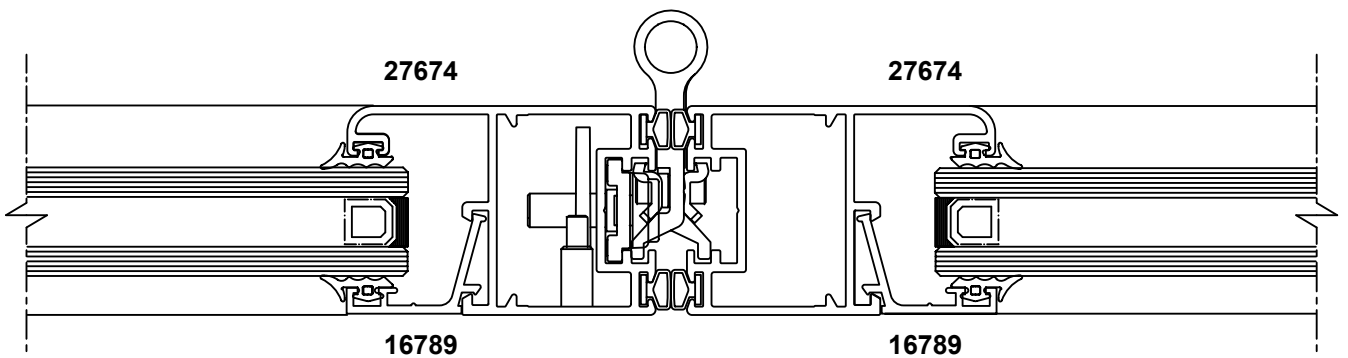
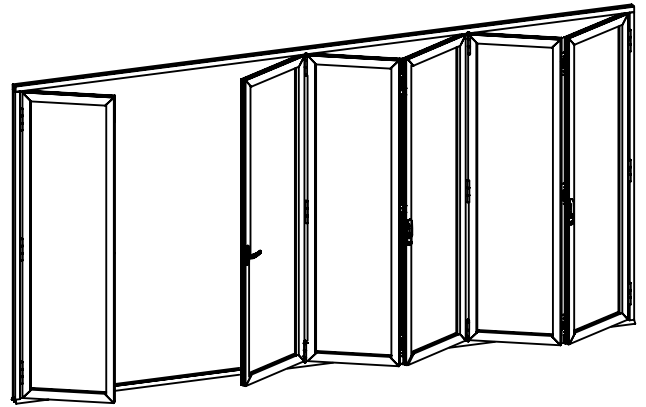
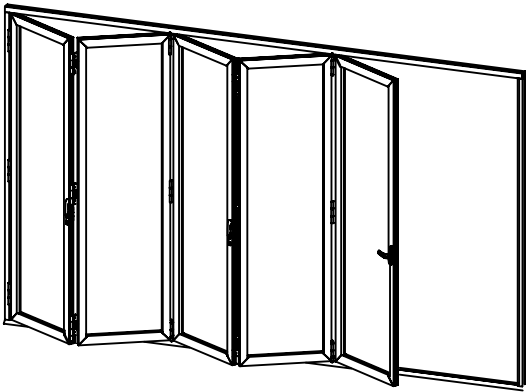
Main Vertical Section



Main Vertical Section

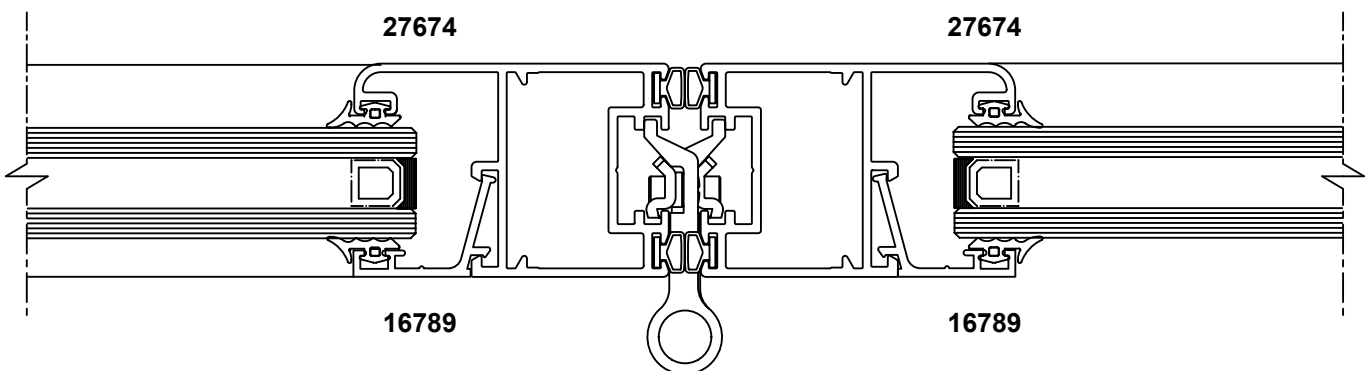
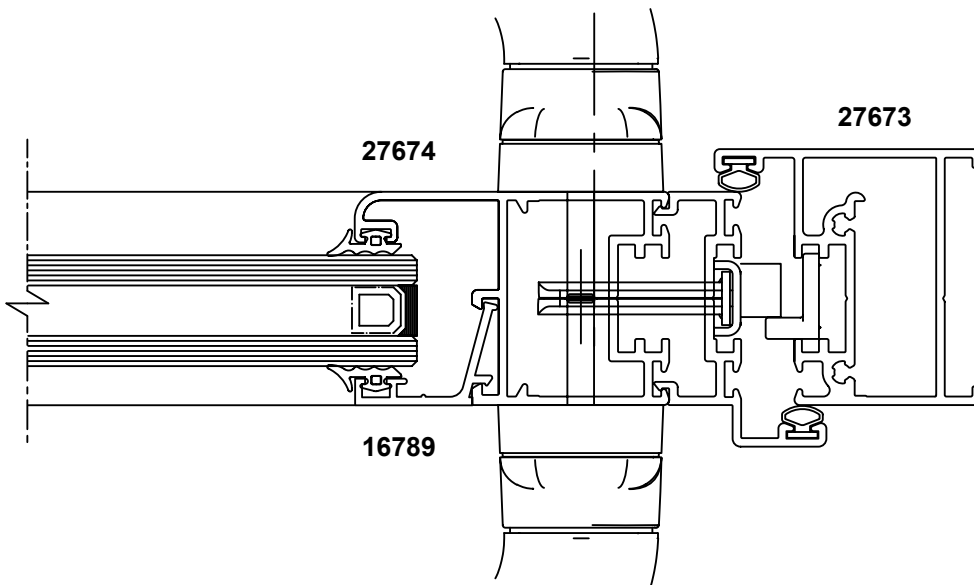
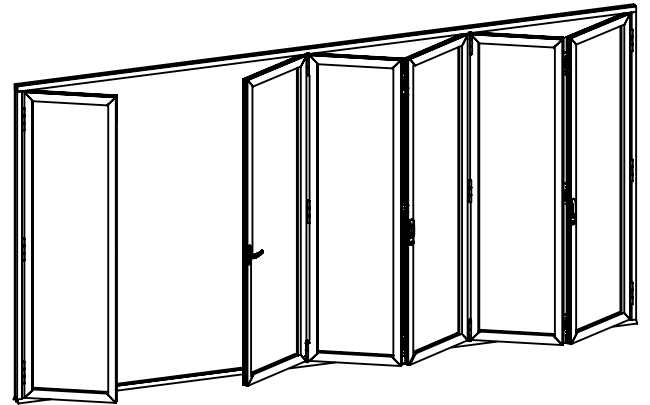
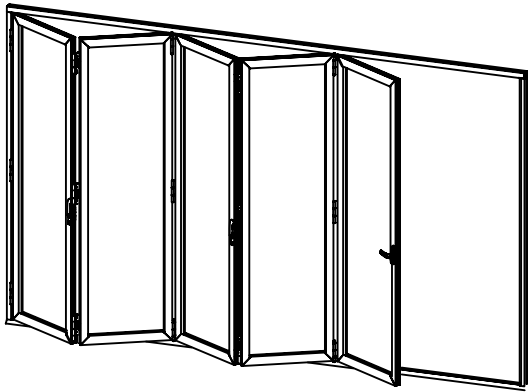


Main Horizontal Section



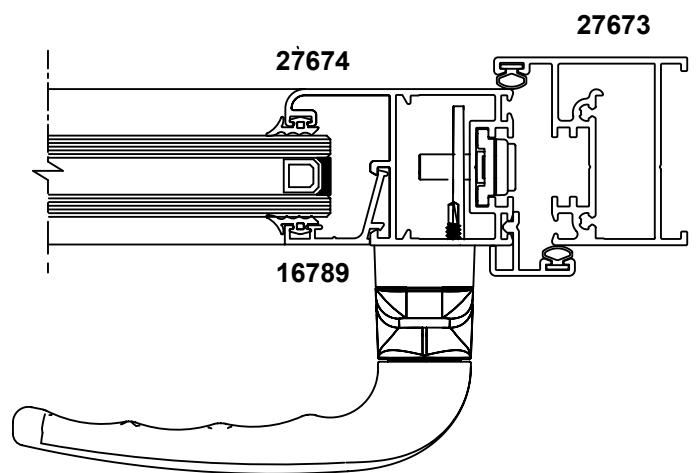
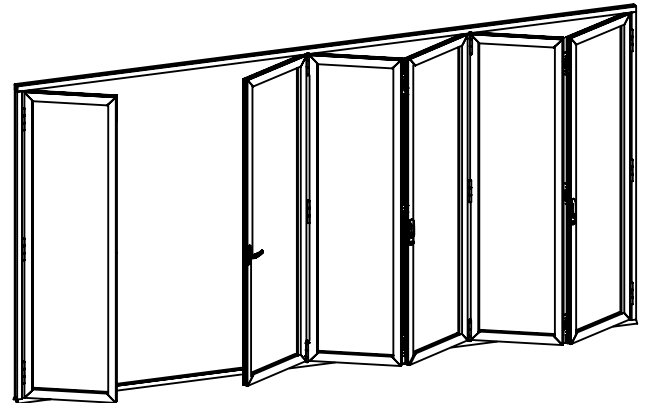
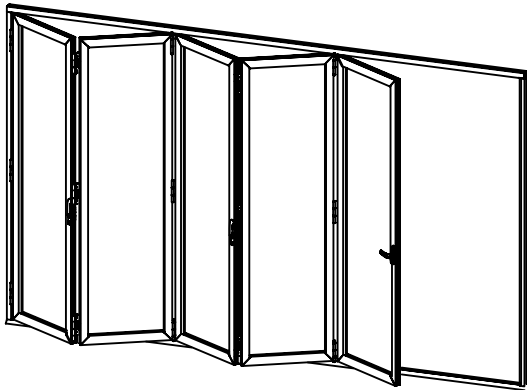
Folding

Main Horizontal Section

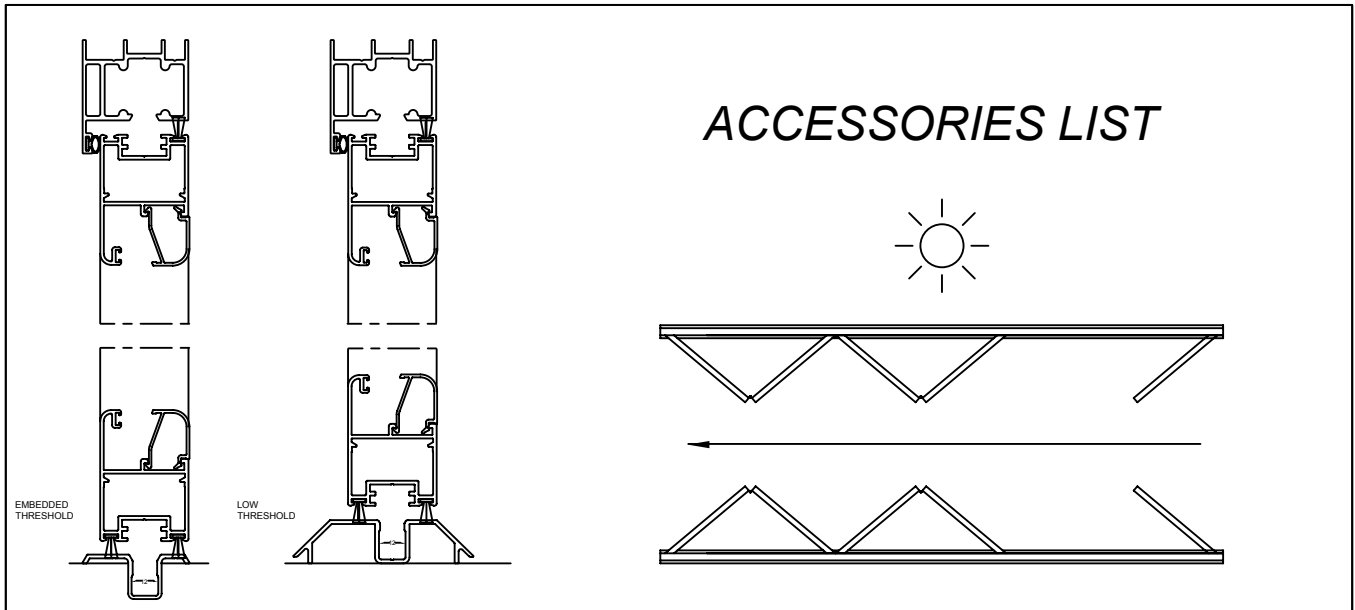



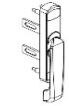
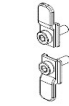







Folding

Main Horizontal Section

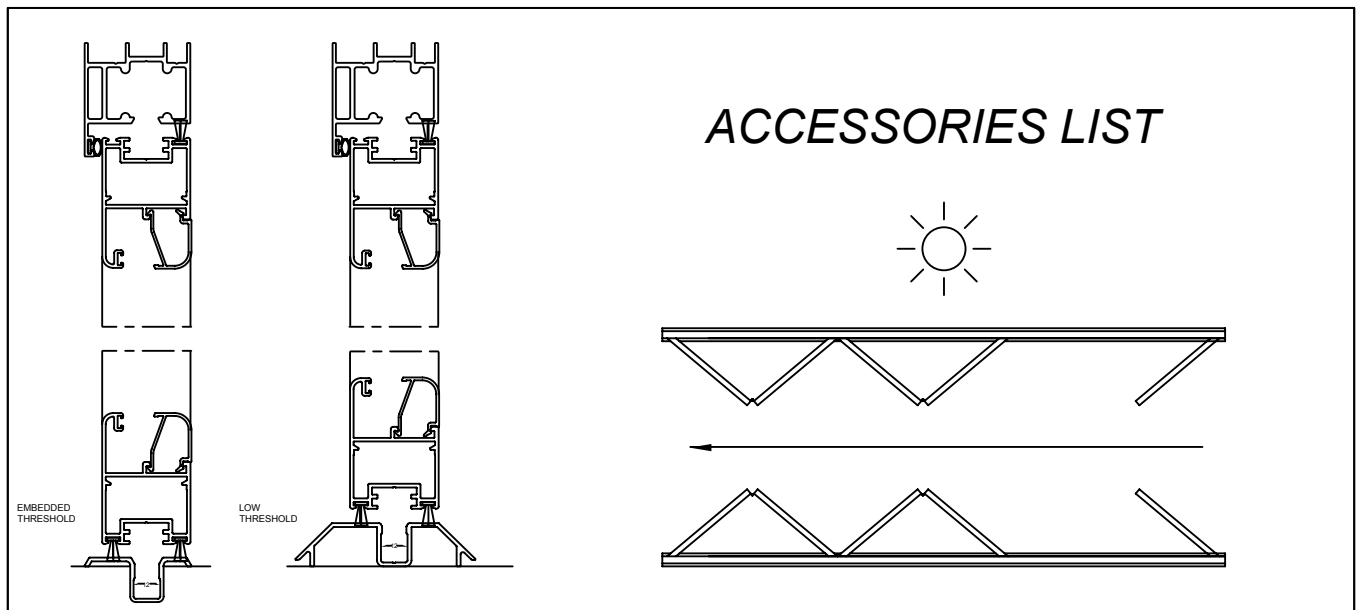






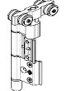


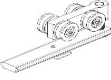
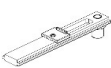


Folding Accessories List



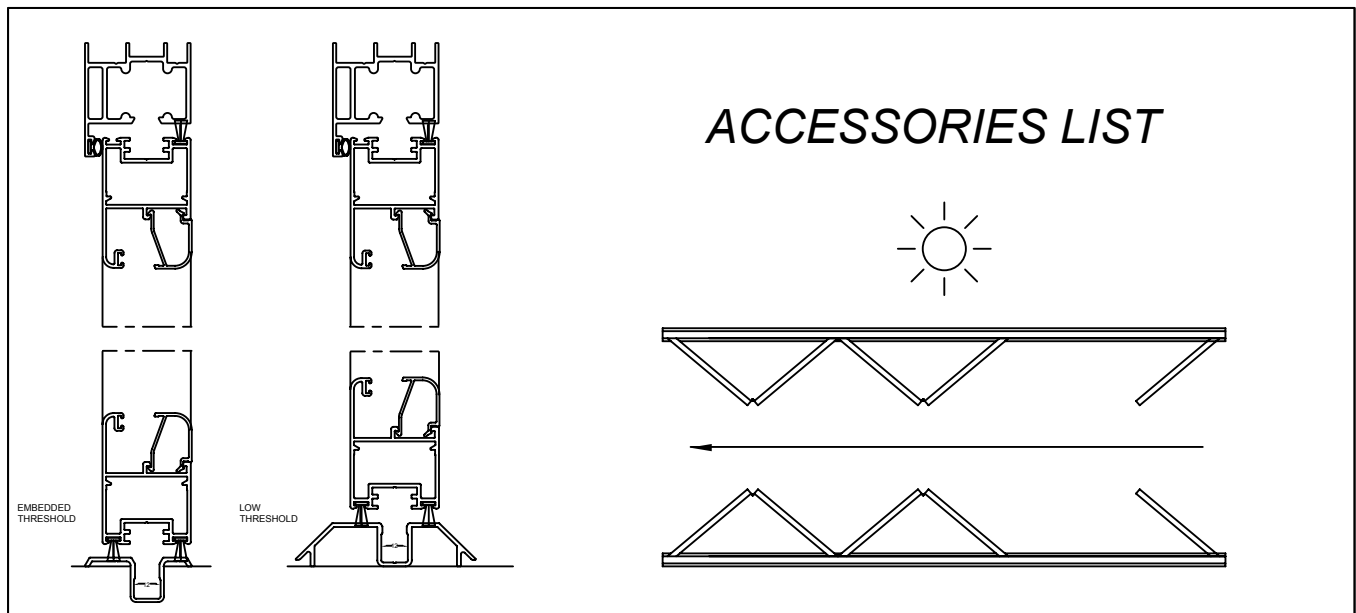
Article Item	Picture	Description	Qty
0343		Die-Cast Aluminum Die-Cast Aluminum Corner Joint	20.00
6027.7		Reduced Cremone Bolt	2.00
6427.1		Junction Block For Cremone-Bolt	4.00
6028.2		"Comfort Plus" Cremone Bolt Outside Opening - Backset 14 - 37mm	1.00
6420E.11		Connection Pin For Ext. Open. - Galvanized Steel - L=11mm - Hexagonal	2.00
Alternative - SEC8A 3075		"Comfort Mini" Reduced Handle - Square Projection 30 mm	1.00
6420E.13		Connection Pin For Ext. Open. - Galvanized Steel - L=13mm - Hexagonal	2.00
3626.1		"BING" Two Way Movent - Backset From 15 to 27mm	1.00
Alternative - SEC8B 3060		"Comfort" Double Handle	1.00
5300.35		Vertical Lock - Interaxis 85 / Backset 35mm	1.00







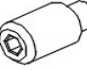

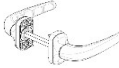

Folding Accessories List



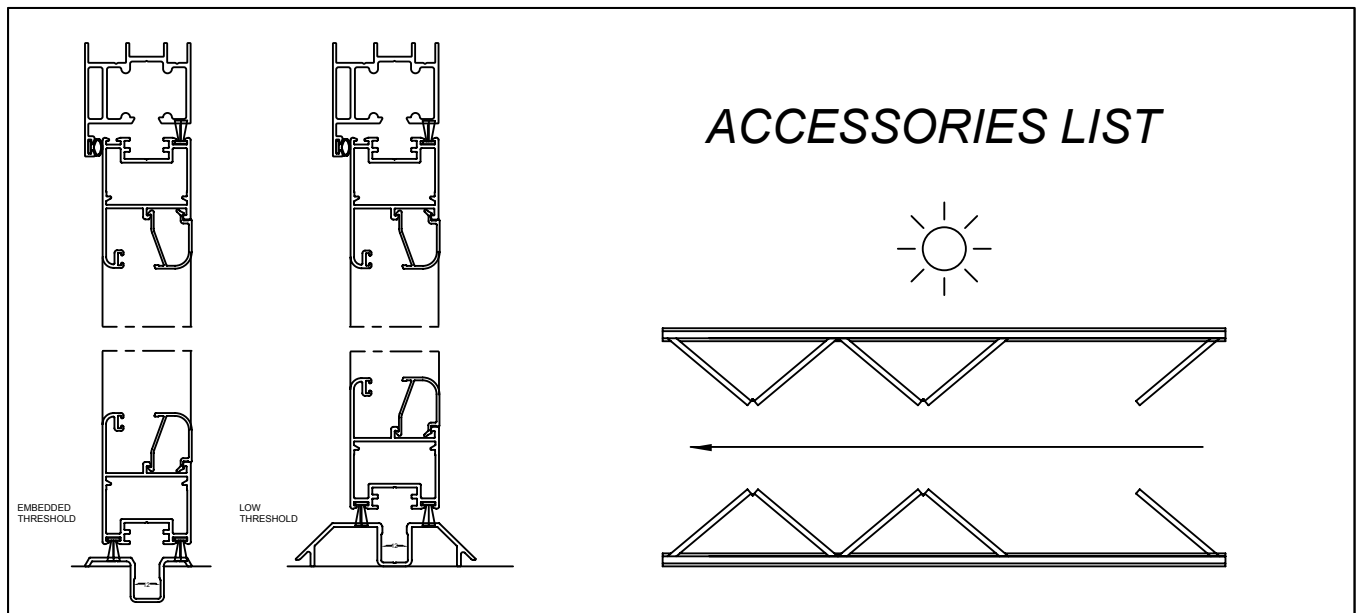
Article Item	Picture	Description	Qty
5303.1		Counter Plate For Lock, Universal	1.00
4032.68		Rod End Cover For Sirio Latch	6.00
93638.9		Bolt Junction	1.00
9147.46 Hmax=2500		Rapid Hinge 3 Wings	12.00
93630.5A		Rapid Upper Hunged For Folding Opening	1.00
93630.6A		Rapid Lower Hinge For Cavity 12mm	1.00
93638.6		Sash Stopper	4.00
93635.4		Upper Block For Even Sash	1.00
83635.5		Lower Block For Even Sash	1.00
83635.1		Upper Closing Keeper	1.00
93638.8		Pulling Handle For External Opening	2.00

Folding Accessories List



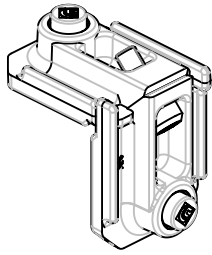
Article Item	Picture	Description	Qty
0343		Die-Cast Aluminum Die-Cast Aluminum Corner Joint	20.00
6027.7		Reduced Cremone Bolt	2.00
6427.1		Junction Block For Cremone-Bolt	4.00
6028.2		"Comfort Plus" Cremone Bolt Outside Opening - Backset 14 - 37mm	1.00
6420E.11		Connection Pin For Ext. Open. - Galvanized Steel - L=11mm - Hexagonal	2.00
Alternative - SEC8A 3075		"Comfort Mini" Reduced Handle - Square Projection 30 mm	1.00
6420E.13		Connection Pin For Ext. Open. - Galvanized Steel - L=13mm - Hexagonal	2.00
3626.1		"BING" Two Way Movent - Backset From 15 to 27mm	1.00
Alternative - SEC8B 3060		"Comfort" Double Handle	1.00
5300.35		Vertical Lock - Interaxis 85 / Backset 35mm	1.00

Folding Accessories List



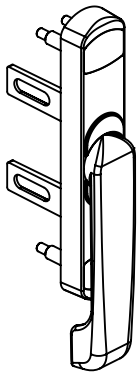
Article Item	Picture	Description	Qty
5303.1		Counter Plate For Lock, Universal	1.00
4032.68		Rod End Cover For Sirio Latch	6.00
93638.2		Bolt Junction	1.00
9147.46 Hmax=2500		Rapid Hinge 3 Wings	12.00
93630.5A		Rapid Upper Hunged For Folding Opening	1.00
93630.6B		Rapid Lower Hinge For Cavity 12mm	1.00
93638.6		Sash Stopper	4.00
93635.4		Upper Block For Even Sash	1.00
83635.6		Lower Block For Even Sash	1.00
83635.1		Upper Closing Keeper	1.00
93638.8		Pulling Handle For External Opening	2.00

Accessory List



Corner Joint

0343



Reduced Cremone Bolt

6027.7



Junction Block For Cremone Bolt

6427.1



**COMFORT PLUS Cremone Bolt
Outside Opening - Backset 14 - 37 mm**

6028.2

Accessory List

**Connection Pin For Ext. Open.
Galvanized Steel - L=11mm - Hexagonal**

6420E.11



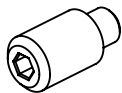
**COMFORT MINI Reduced Handle Square
Projection 30 mm**

3075



**Connection Pin For Ext. Open.
Galvanized Steel - L=13mm - Hexagonal**

6420E.13



**BING Two Way Movent - Backset From
15 to 27 mm**

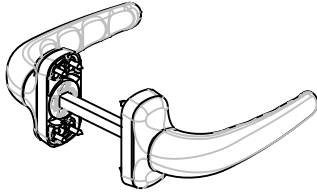
3626.1



Accessory List

COMFORT Double Handle

3060



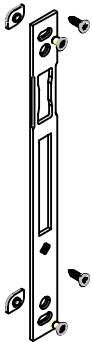
**Vertical Lock - Interaxis 85 / Backset
35mm**

5300.35



Counter Plate For Lock, Universal

5303.1



Rod End Cover For Sirio Latch

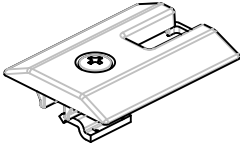
4032.68



Accessory List

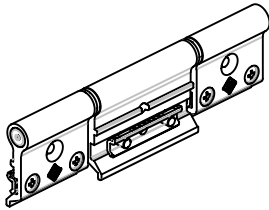
Bolt Junction

93638.9



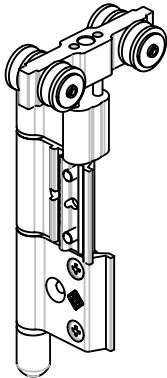
Rapid Hinge 3 Wings

9147.46



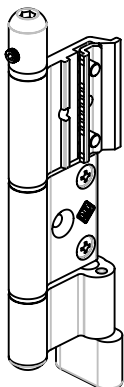
Rapid Upper Hinge For Folding Opening

93630.5A

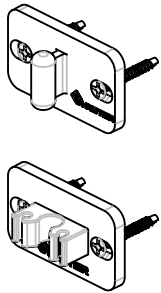


Rapid Lower Hinge For Cavity 12 mm

93630.6A

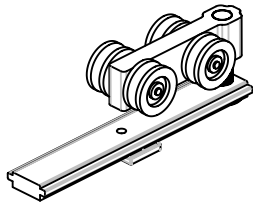


Accessory List



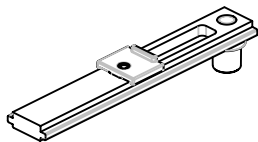
Sash Stopper

93638.6



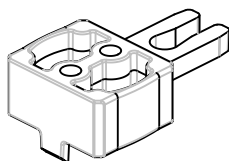
Upper Block For Even Sash

93635.4



Lower Block For Even Sash

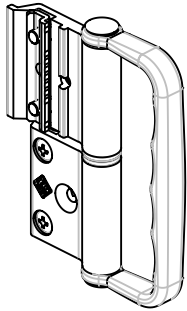
83635.5



Upper Closing keeper

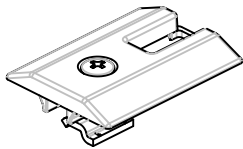
83635.1

Accessory List



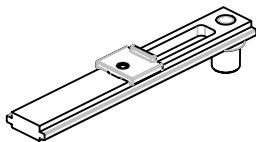
Pulling Handle For External Opening

93638.8



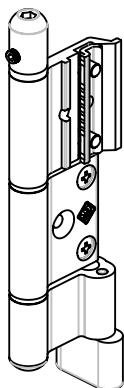
Bolt Junction

93638.2



Lower Block For Even Sash

83635.6



Rapid Lower Hinge For Cavity 12 mm

93630.6B

Folding Loads

* Dimension and Maximum Load Capacity Single Sash

Type	Article			H max	L min	L max	Max Load
 <i>Odd Sash</i>	A9147.4		Rapid hinge 2 wings	1500 mm	-	700 mm	50 Kg for sash
	A9147.46		Rapid hinge 3 wings	2500 mm	-		60 Kg for sash
 <i>Even Sash</i>	A9147.4		Rapid hinge 2 wings	1500 mm	350 mm	700 mm	50 Kg for sash
	A9147.46		Rapid hinge 3 wings	2500 mm			60 Kg for sash





**NATIONAL ALUMINIUM
PRODUCTS COMPANY SAOG**

OMAN

Corporate Office and Factory
National Aluminum Products Co.
PO Box 15, Rusayl, PC 124, Sultanate of Oman
Phone: +968 24446450, Fax: +968-24446453
Email: sales@napco.co.om, info@napco.co.om

National Aluminum Products Co. - Branch Office
PO Box 116912, Dubai,
Office 12, Tower A, Empire Heights, Byssiness Bay
Phone: +971 44295725 / +971 44295724

NAPCO Extrusions India LLP
4 , Odyssey IT Park,
Road No. 9, Wagle Industrial Estate,
Thane (West) - 400604.
Phone: +91 2220814444

www.napcooman.com