



NATIONAL ALUMINIUM
PRODUCTS COMPANY SAOG



General Catalogue



08-2023-V.04

All rights reserved.

No part of this publication may be reproduced, stored in a retrieval system or transmitted in any form or by any means electronic, mechanical, photocopying, recording or otherwise, without prior permission of NAPCO.





Index

Company Profile	05
Sliding Doors & Windows	08
Hinged Doors & Windows	111
Curtain Wall & SkyLights	243
Corner Cleats	293
Shop Fronts	302
Hand Rails	304
Louvers	313
Kitchen Profiles	326
Camel Race Profiles	333
Hat Profiles	335
Panel Tubes	338
AC Profile	343
Tent Profiles	346
Miscellaneous Profiles	355
Standard Profiles	366



About Us

National Aluminium Products Company SAOG (NAPCO) was established in 1984 and is one of the leading extruders of aluminium profiles in the GCC market. Located in the Sultanate of Oman, the manufacturing plant is spread over 65,000 sq meters in the Rusayl Industrial estate.

NAPCO offers a wide range of Aluminium profile extrusions in finishes that suit functional modern design specifications. The company has left its mark on the architectural landscape of the Middle East with its renowned quality products being used in a number of prominent structures.

Our annual production capacity is 42,000 MT with four (4) state of the art presses. The extrusion presses are complemented by one anodizing line and two powder coating lines (vertical & horizontal). NAPCO also houses two wood finish lines and a crimping and bending facility.

NAPCO's commitment to quality has made it the first extrusion company in the Gulf to receive ISO certifications. We are also the only public limited aluminium extrusion company in the entire GCC.

With a consistent focus on innovative production skills and high service standards, we will continue our objective to meet customer demands and expectations.

Technical Information on Aluminium extrusions supplied by NAPCO

A. Equipment & Capacity

Extrusion Press: 4

2000 MT (8') SMS Germany

2800 MT (9') Danieli Breda, Italy

1800 MT (7') Tecalex, Spain

1800 MT (7') Tecalex, Spain

Powder Coating Plant: 2

Horizontal Type, Ercon, UK

Vertical Type, Trasmetal, Italy

Anodizing Line: 1

SAS, Germany

Wood Finish: 2 NATURALL, Italy.

Crimping & Bending Facility.

• Current Capacity Per Annum

Extrusion: 42,000

Powder Coating: 27,000

Anodizing: 2,400

Wood Finish: 1,500

B. General Specification

Max profile size CCD 305mm

(*indicative size)

C. Product Range

NAPCO offers a range of over 6000 profiles to suit the architectural and manufacturing industry. NAPCO also develops exclusive dies for customers against their own designs.

• Aluminium extrusions in:

Mill Finish

Anodized

Powder Coated and Natural Wood Finish

• Façade Systems:

NAPCO is in partnership with world renowned façade system houses in the GCC. Please contact us to discuss your best-fit solution.

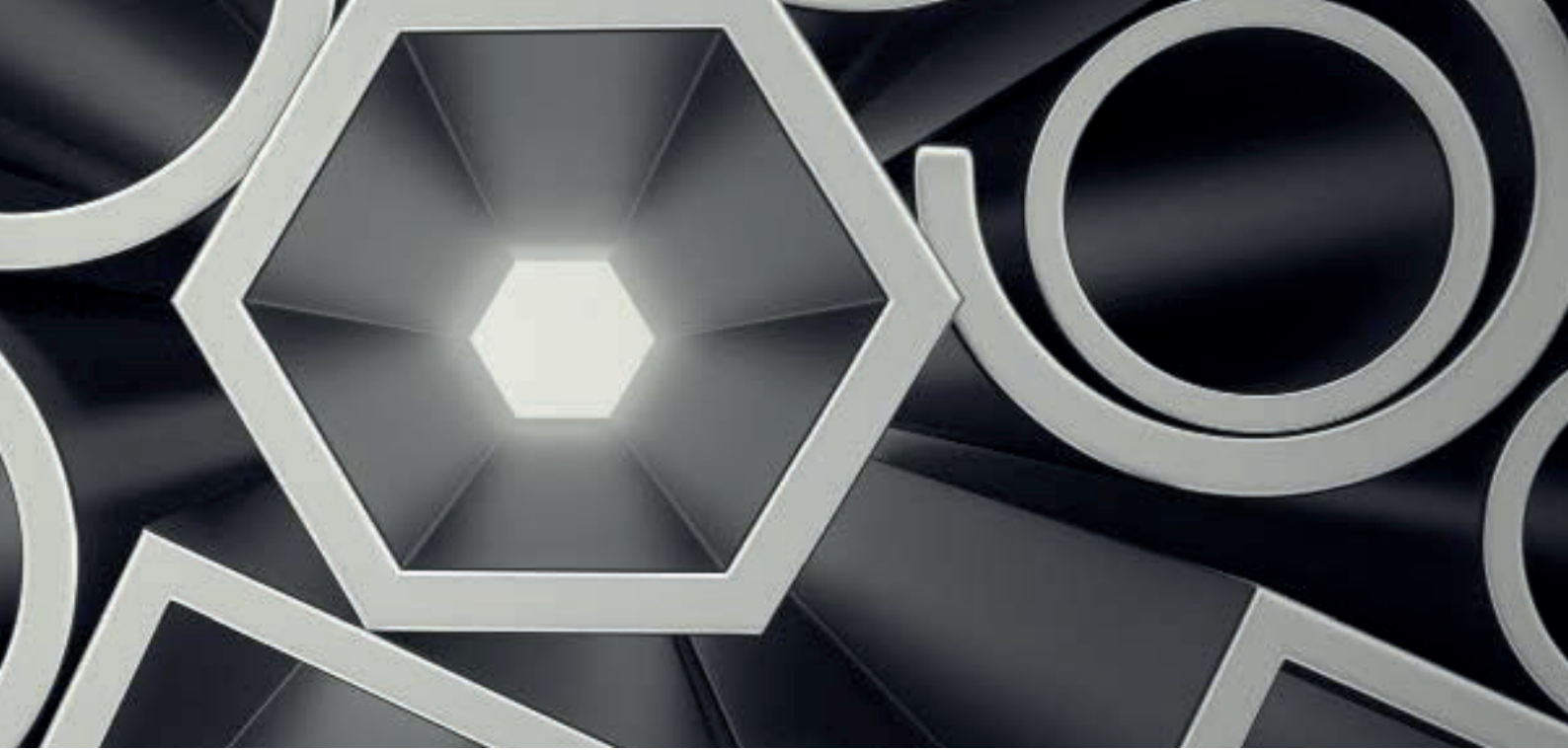
D. Anodizing

NAPCO has one anodizing line employing sulphuric acid anodizing process offering a wide range of colour shades such as Silver, Bronze and Black with scope of development of other shades to suit customer requirements.

Specifications: DC Sulphuric Acid Anodizin

As per EN 1 - 12373 and BS 1991 3987

Qualanod Approved



E: Powder Coating

NAPCO has two powder coating lines (horizontal & Vertical) with IR curing ovens. The colour coat thickness in exposed areas is Around 80-60 microns. The new vertical line is able to accommodate profile lengths up to 8 meters.

Qualicoat Approved.

Natural finish is available in seven combinations of Wood patterns.

Specification: As per 6496

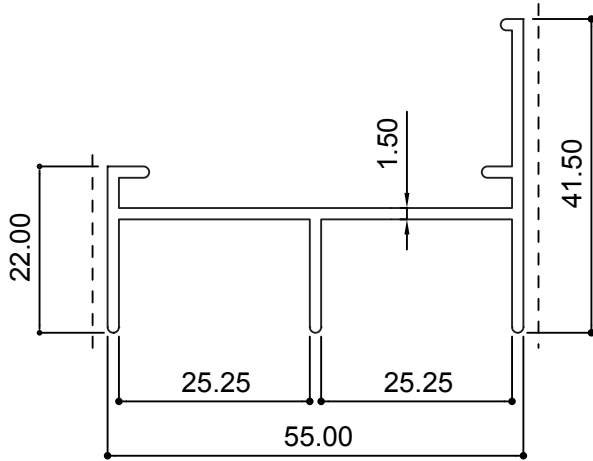
F. Certifications



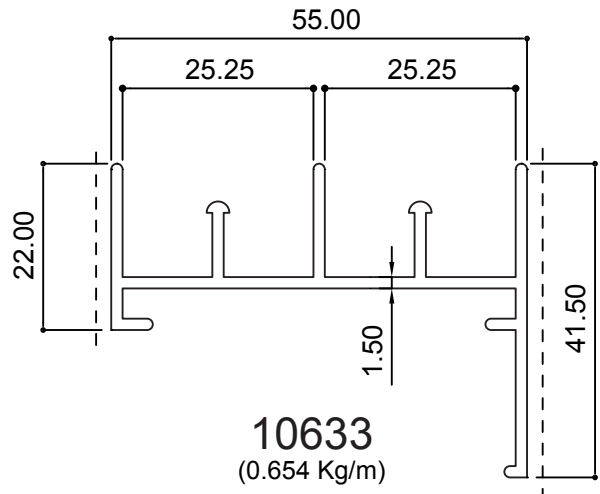
Sliding



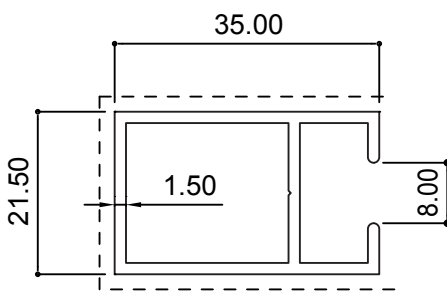
Sliding Profiles



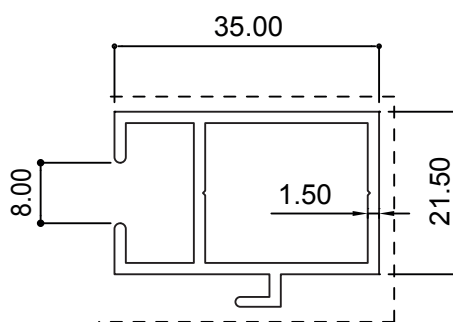
10632
(0.567 Kg/m)



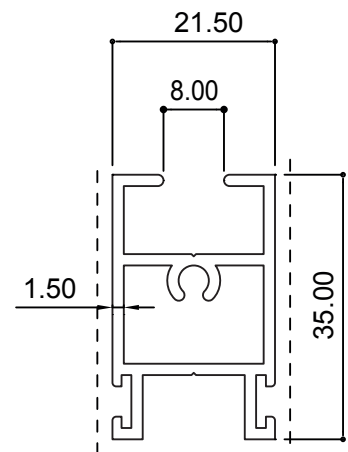
10633
(0.654 Kg/m)



20651
(0.476 Kg/m)



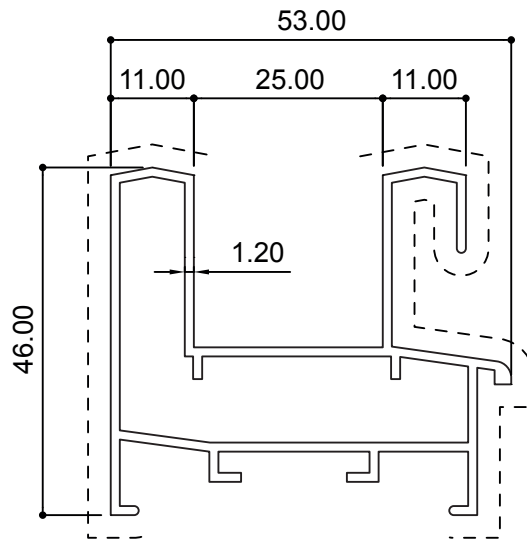
20650
(0.507 Kg/m)



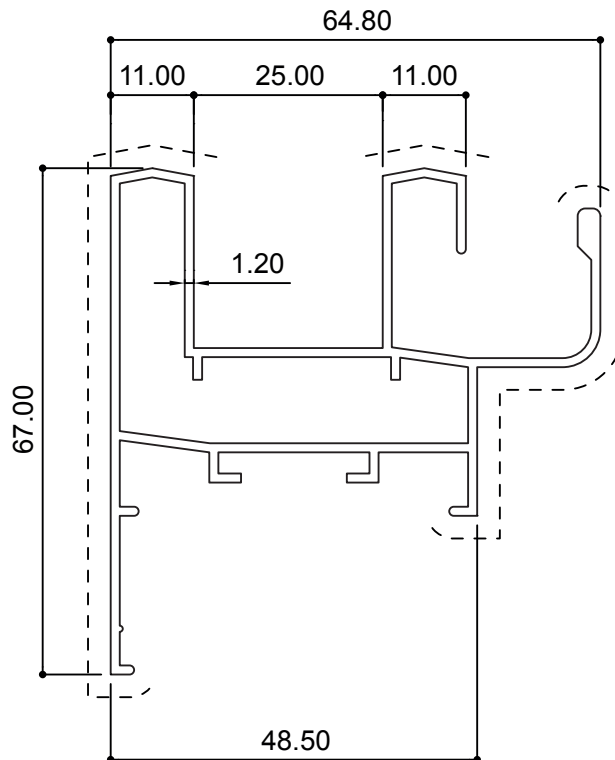
20652
(0.552 Kg/m)

* For export, not recommended for GCC usage

Sliding Profiles



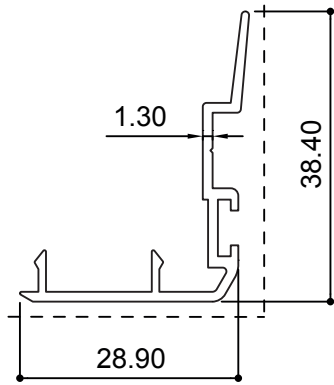
21165
(0.826Kg/m)



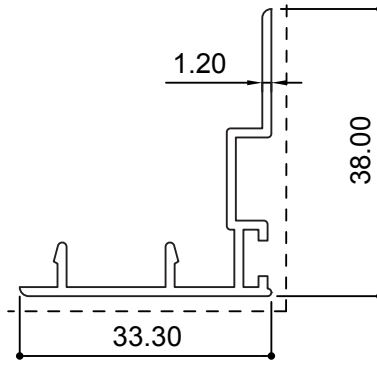
21170
(1.016Kg/m)

* For export, not recommended for GCC usage

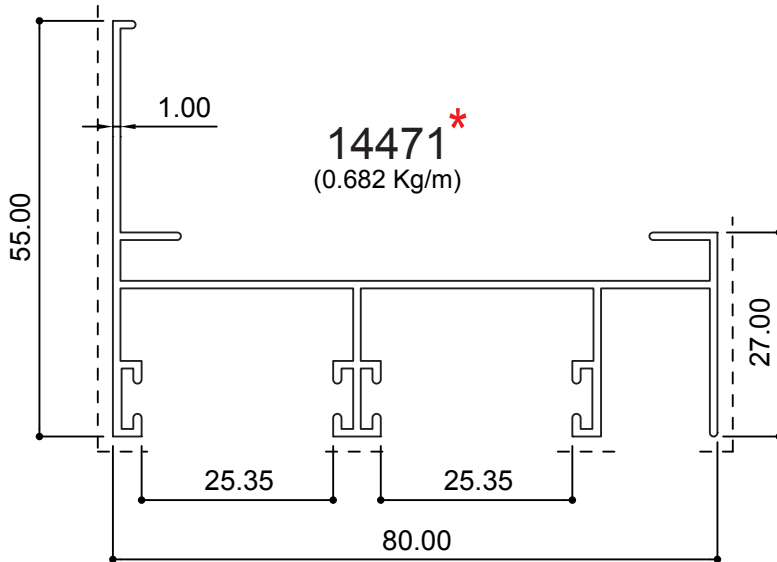
Sliding Profiles



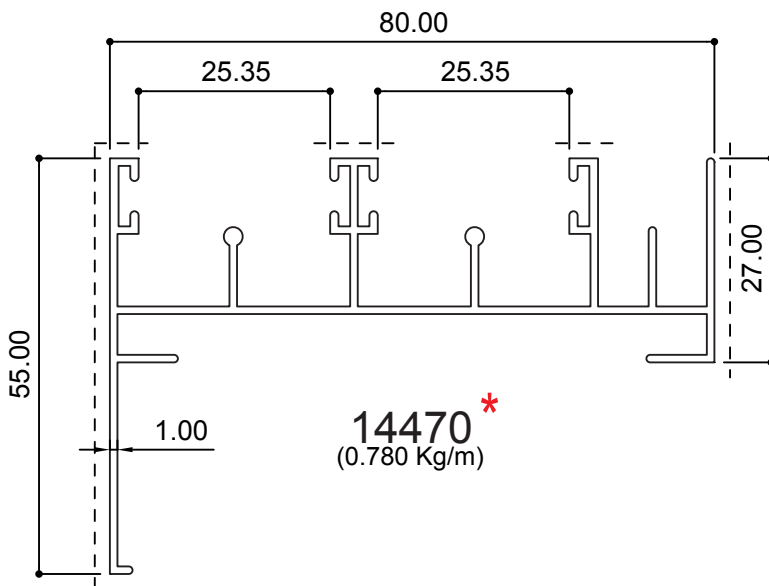
12440
(0.295 Kg/m)



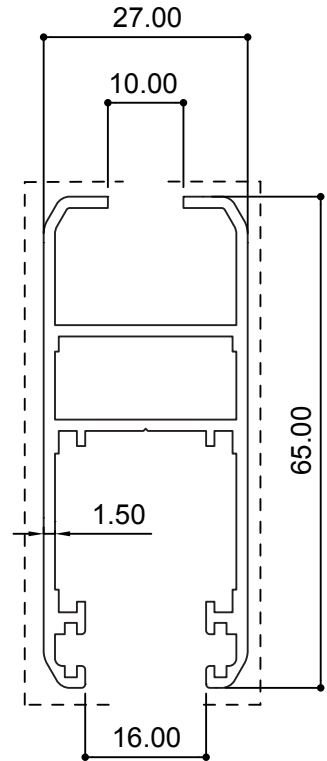
11210
(0.304 Kg/m)



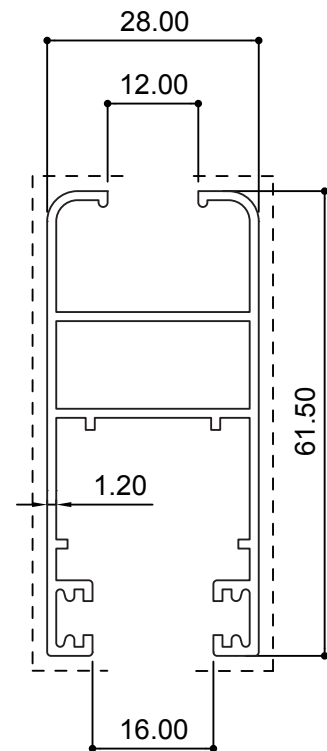
14471*
(0.682 Kg/m)



14470*
(0.780 Kg/m)



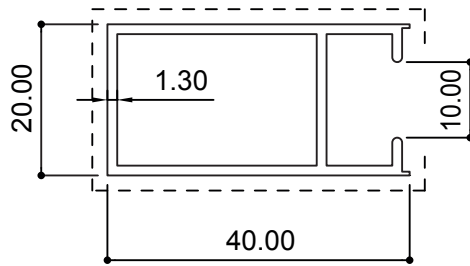
22208
(0.879 Kg/m)



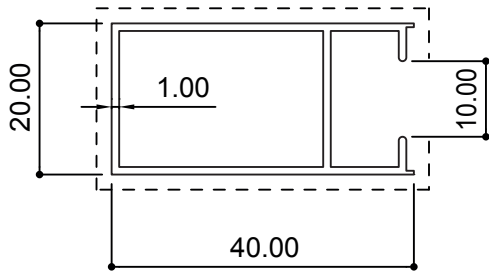
21164
(0.726 Kg/m)

* For export, not recommended for GCC usage

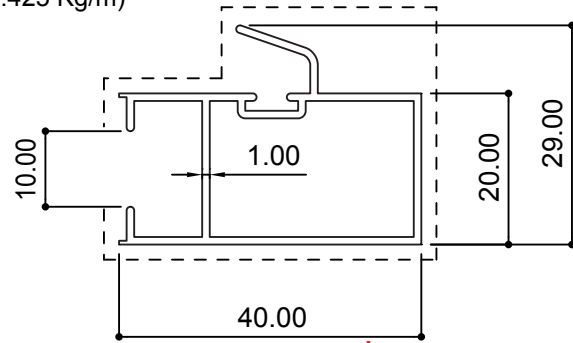
Sash & Interlock



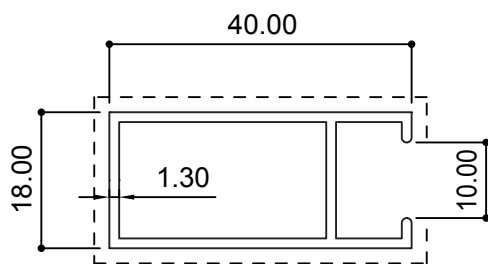
20282
(0.425 Kg/m)



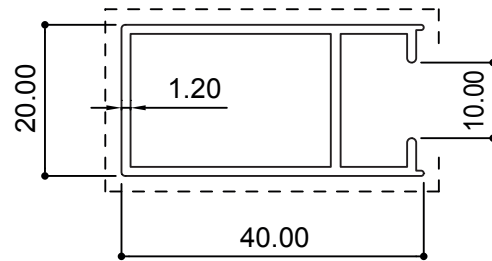
24621*
(0.332 Kg/m)



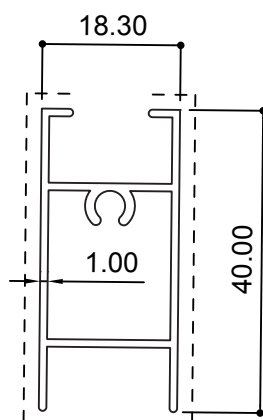
24622*
(0.392 Kg/m)



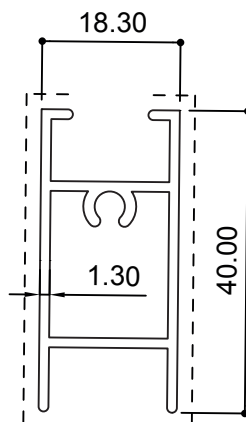
20095
(0.412 Kg/m)



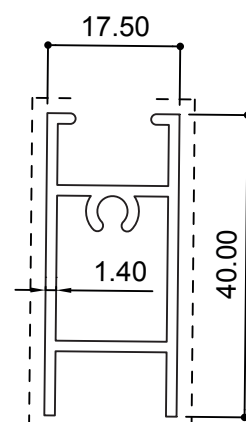
21792
(0.399 Kg/m)



24623*
(0.355 Kg/m)



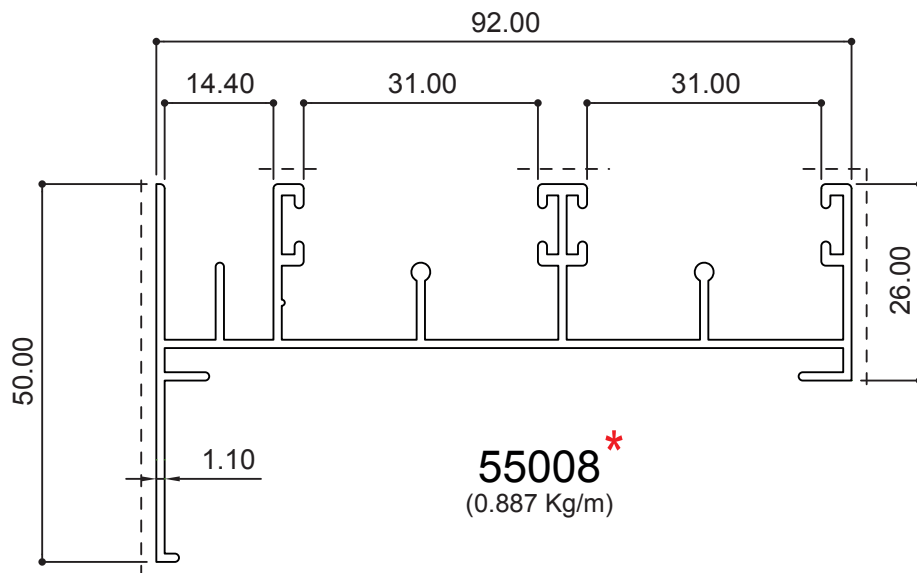
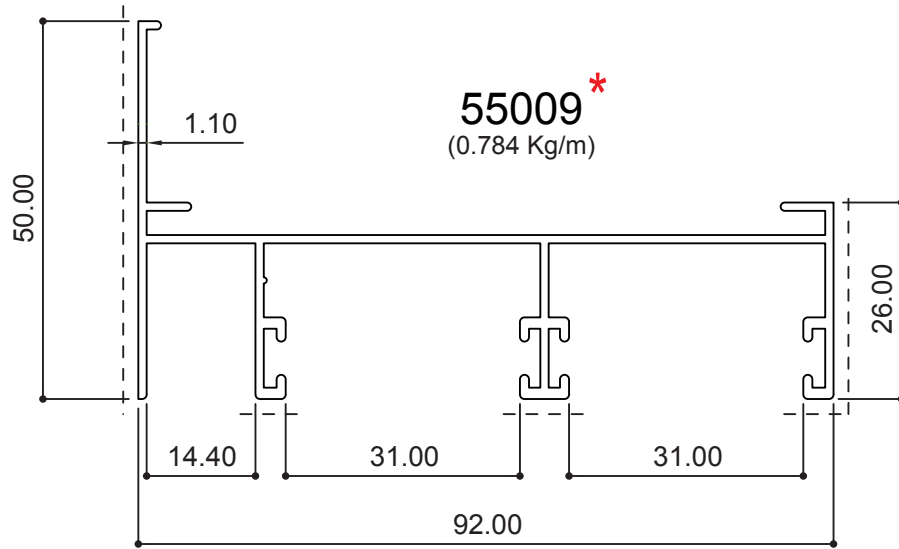
20284
(0.454 Kg/m)



20287
(0.478 Kg/m)

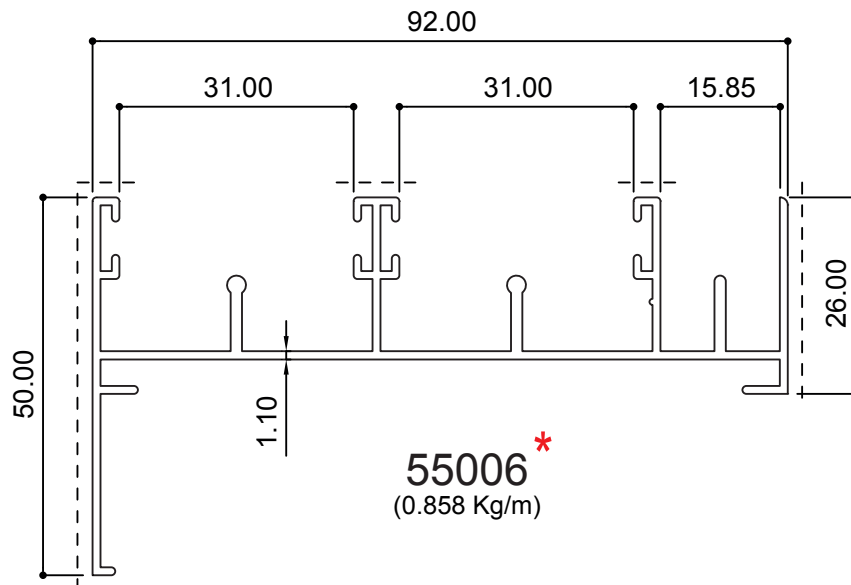
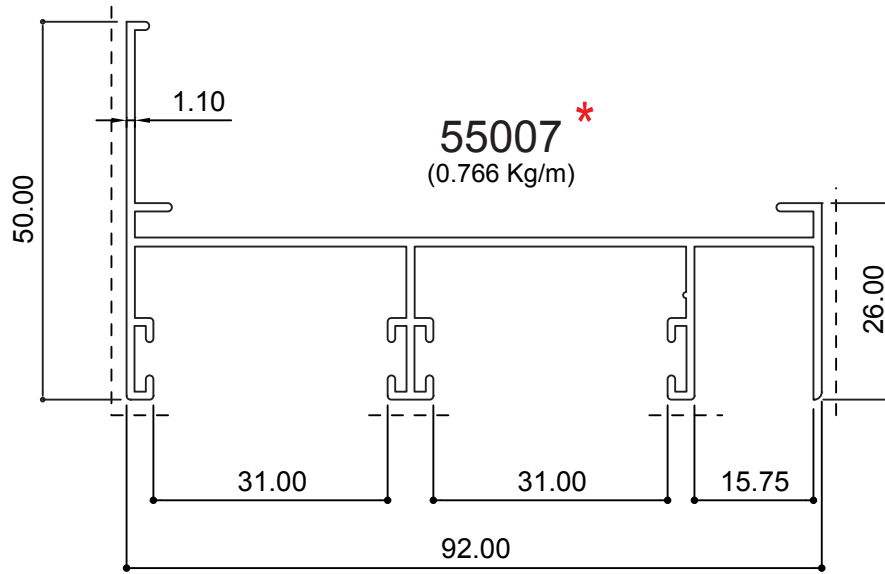
* For export, not recommended for GCC usage

Sliding Profiles



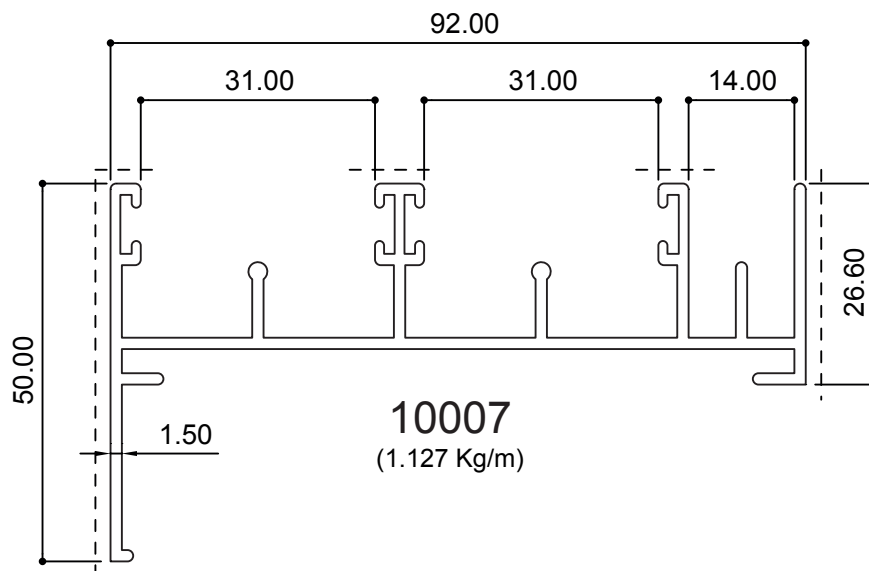
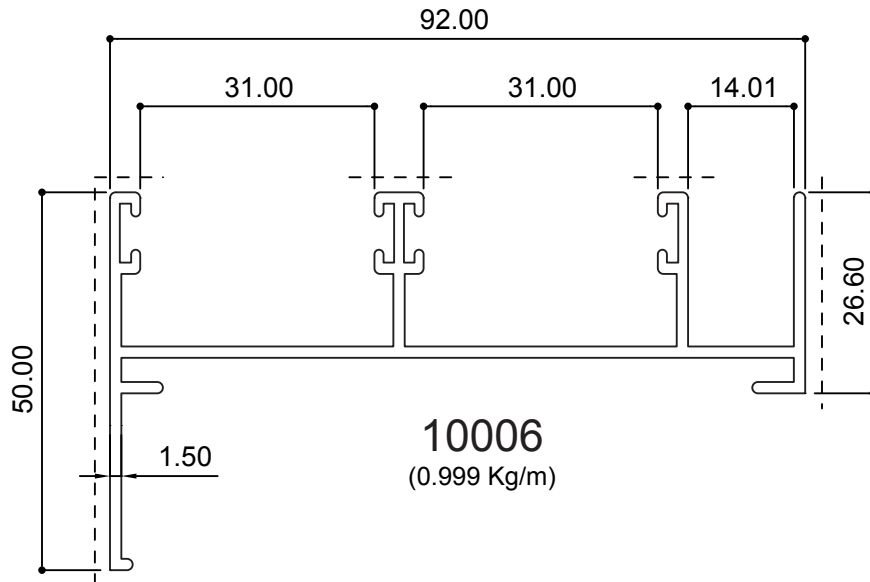
* For export, not recommended for GCC usage

Sliding Profiles



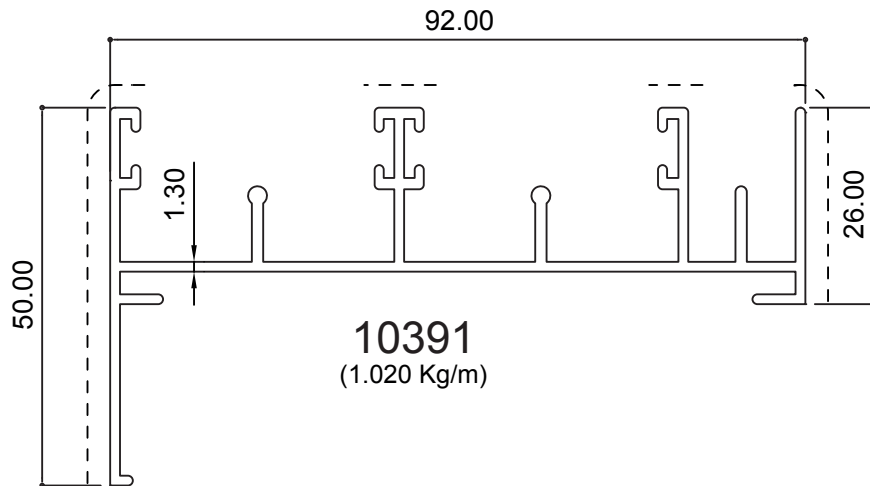
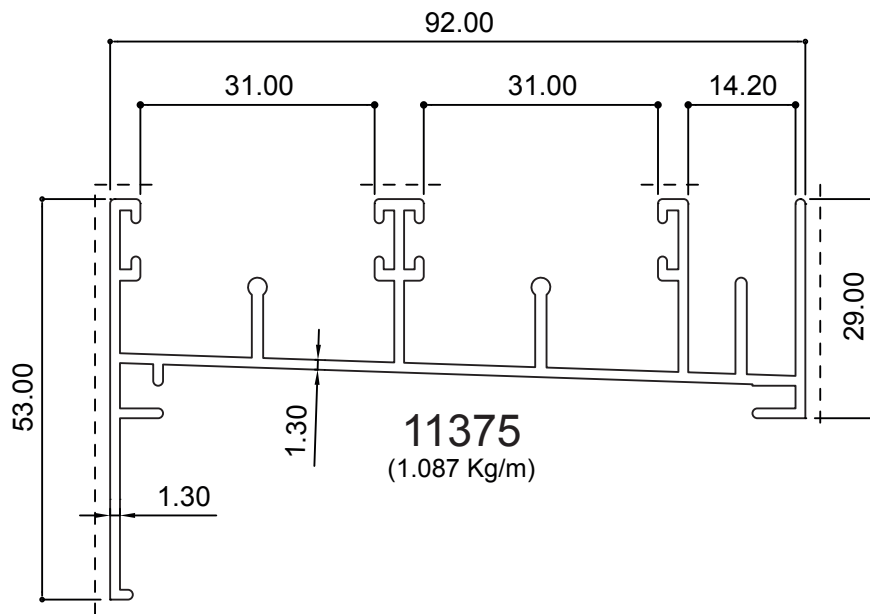
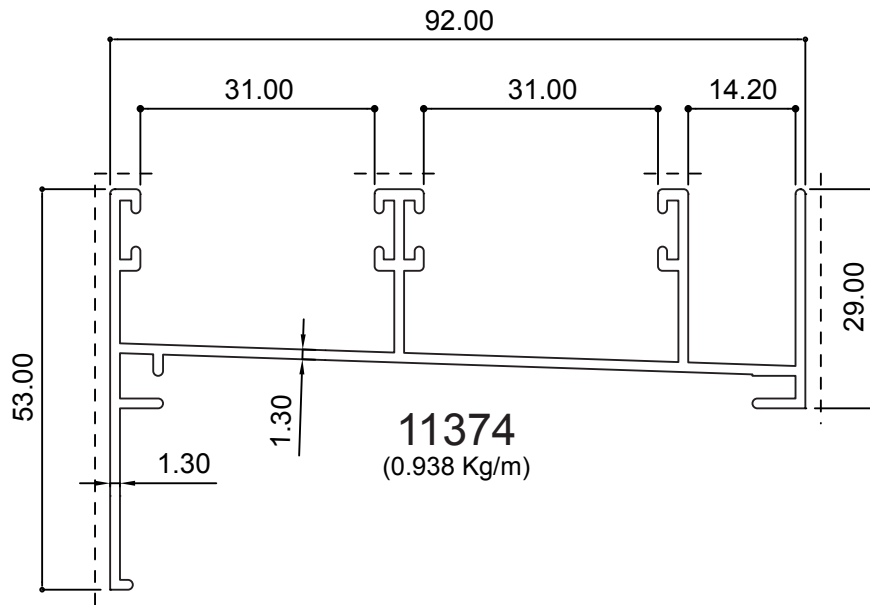
* For export, not recommended for GCC usage

Sliding Profiles



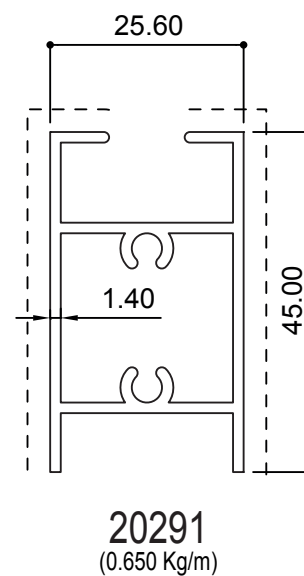
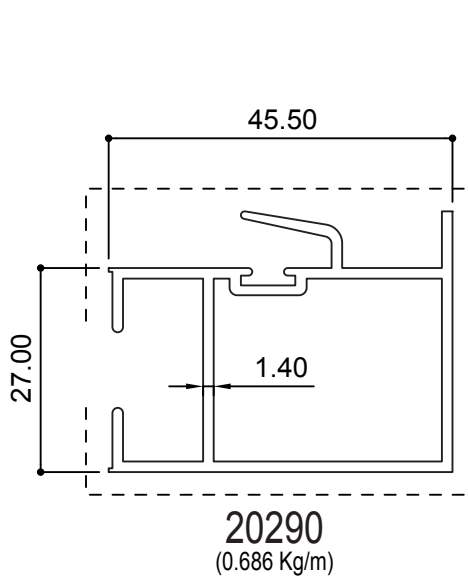
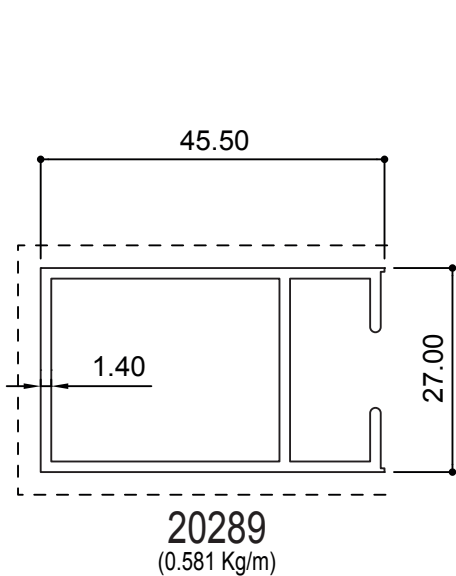
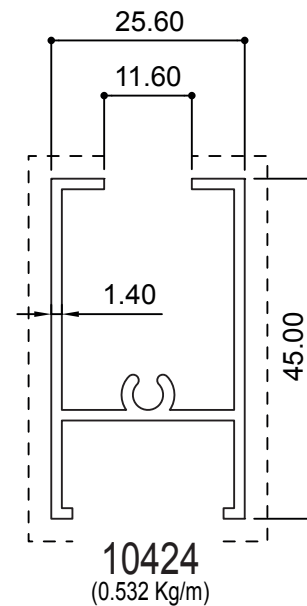
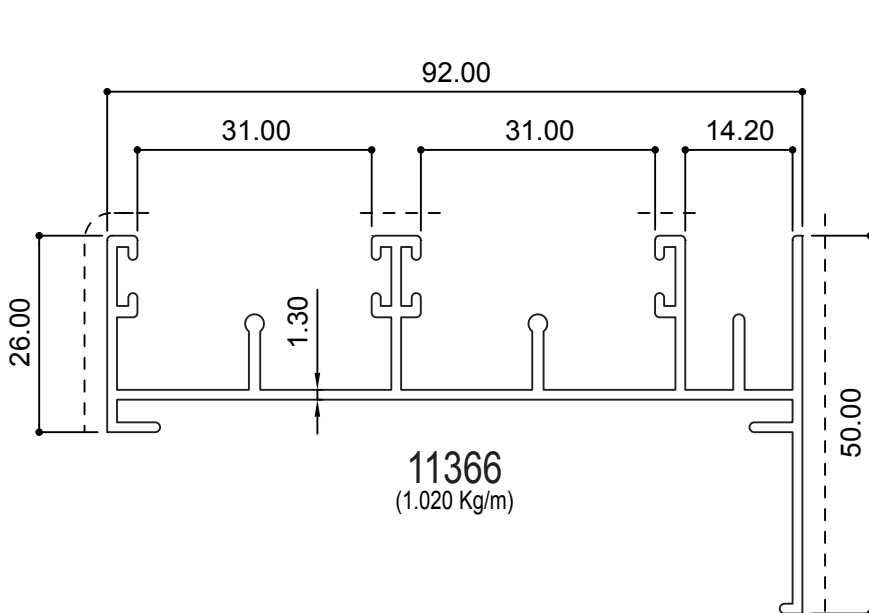
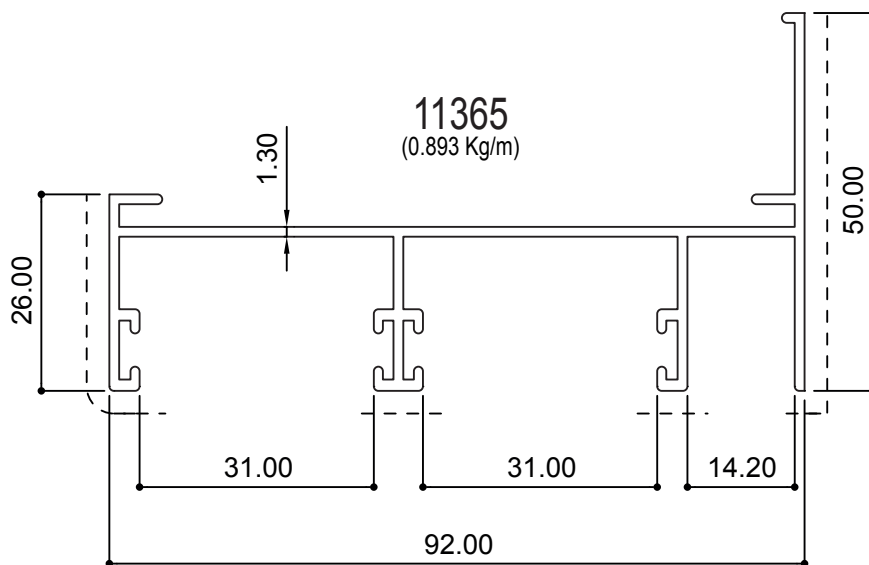
* For export, not recommended for GCC usage

Sliding Profiles



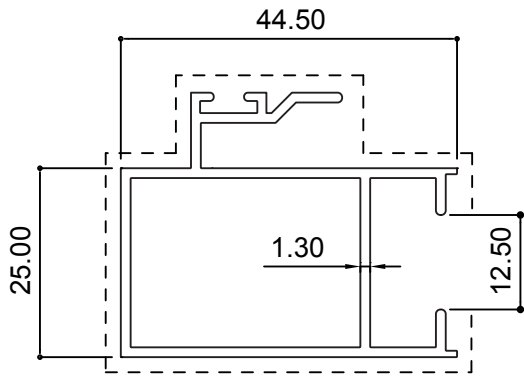
* For export, not recommended for GCC usage

Sliding Profiles

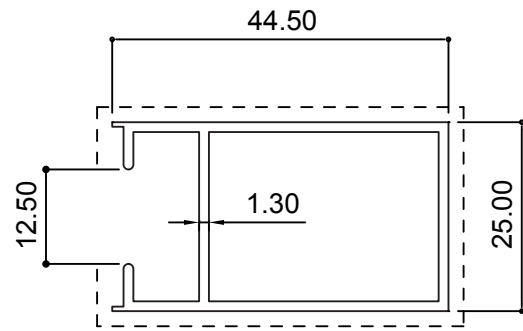


* For export, not recommended for GCC usage

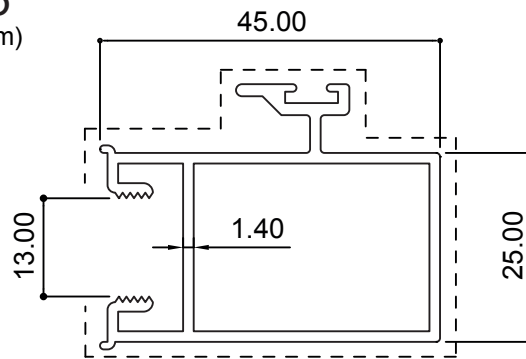
Sash & Interlock



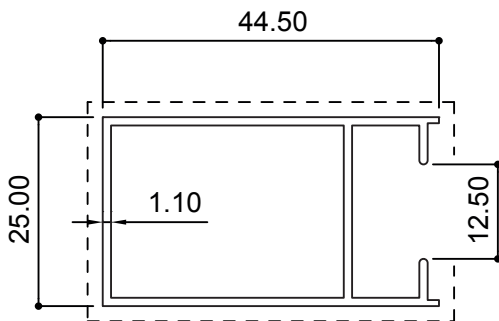
20035
(0.628 Kg/m)



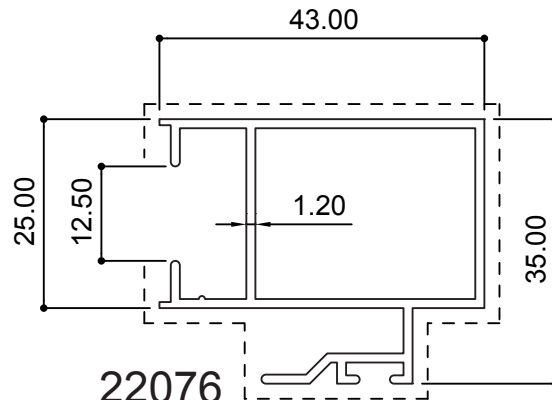
20391
(0.498 Kg/m)



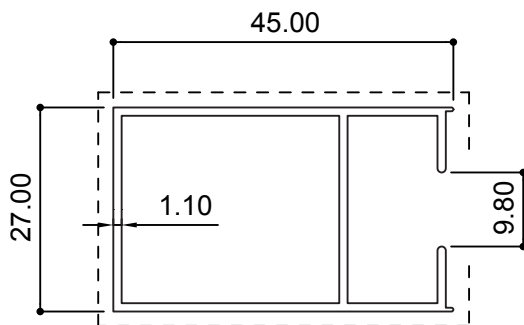
20007
(0.680 Kg/m)



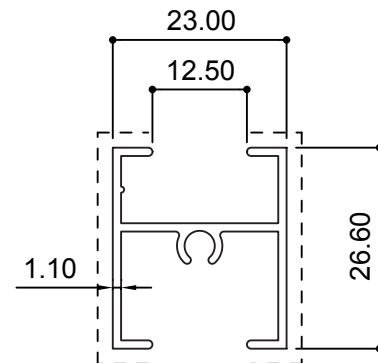
21221*
(0.427 Kg/m)



22076
(0.569 Kg/m)



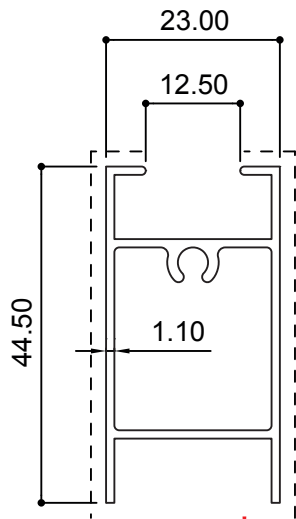
22202*
(0.455 Kg/m)



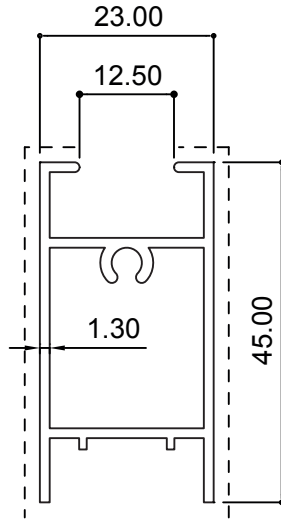
55010*
(0.294 Kg/m)

* For export, not recommended for GCC usage

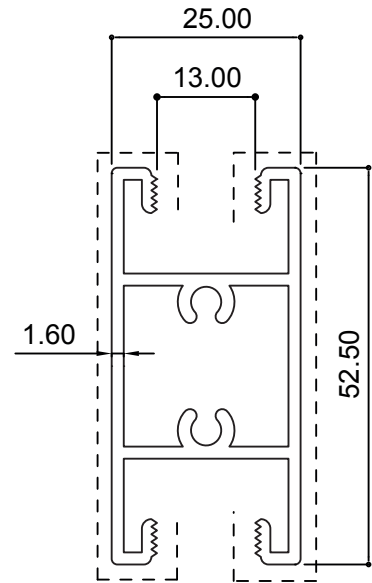
Sash & Interlock



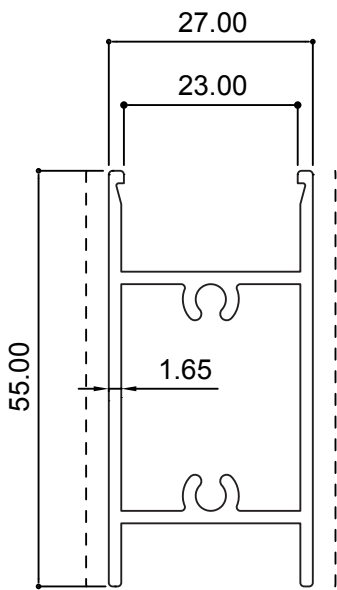
21633*
(0.453 Kg/m)



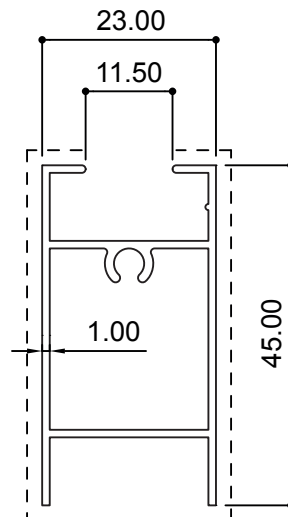
20393
(0.546 Kg/m)



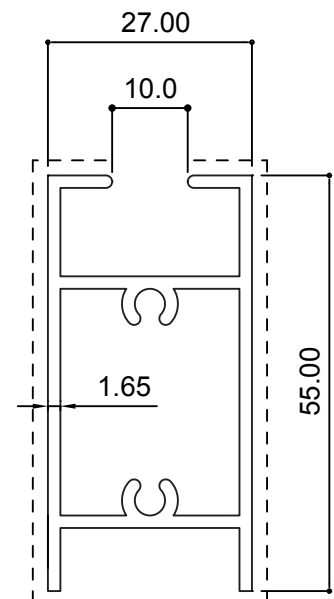
20008
(0.858 Kg/m)



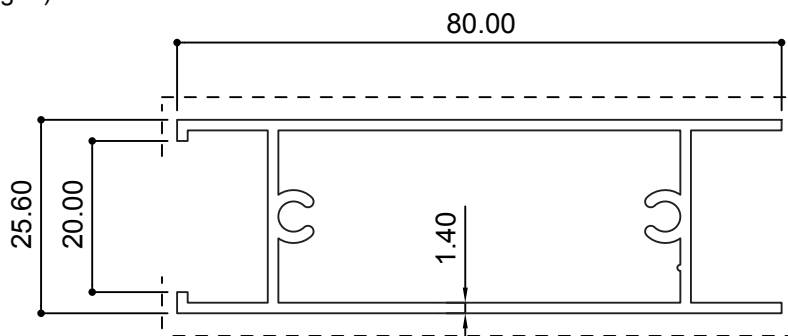
24201
(0.792 Kg/m)



50006*
(0.415 Kg/m)



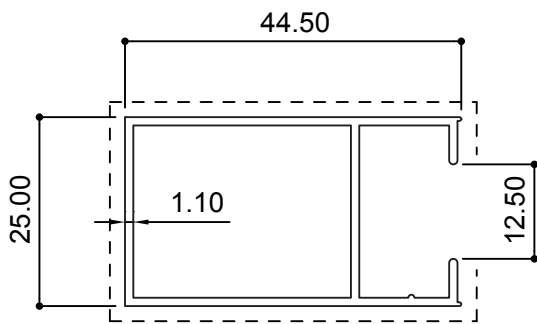
20146
(0.915 Kg/m)



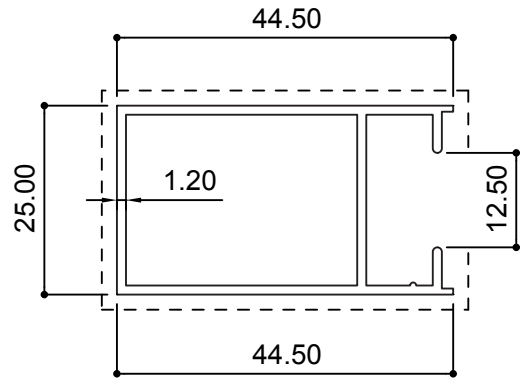
20435
(0.893 Kg/m)

* For export, not recommended for GCC usage

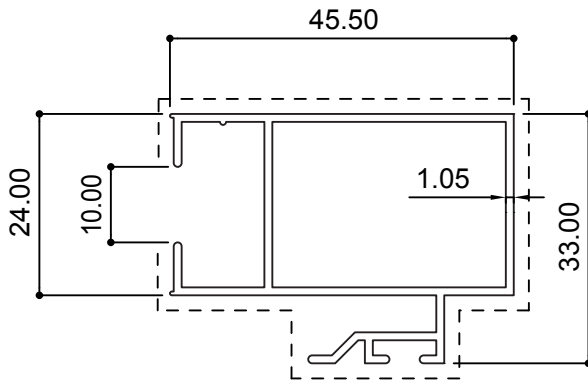
Sash & Interlock



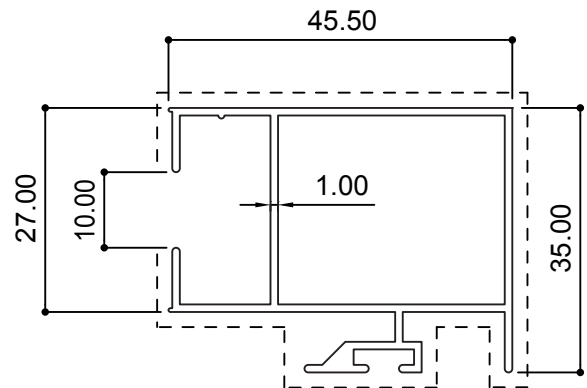
50011*
(0.429 Kg/m)



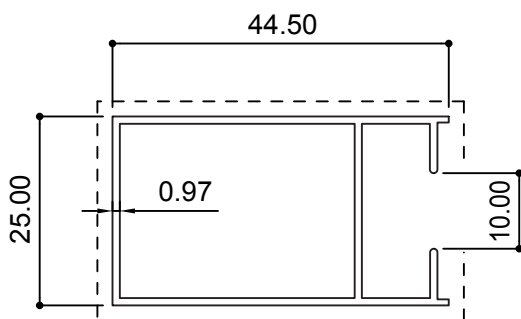
22077
(0.463 Kg/m)



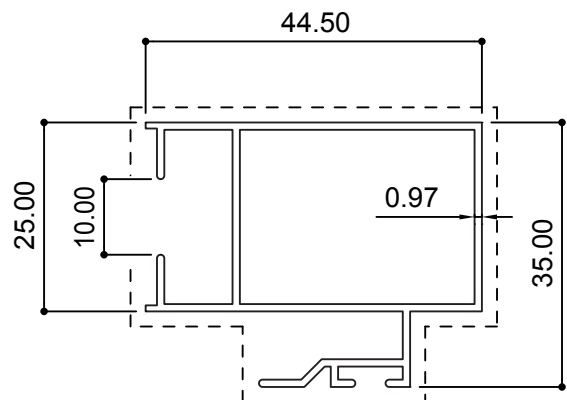
50017*
(0.512 Kg/m)



50033*
0.533 Kg/m



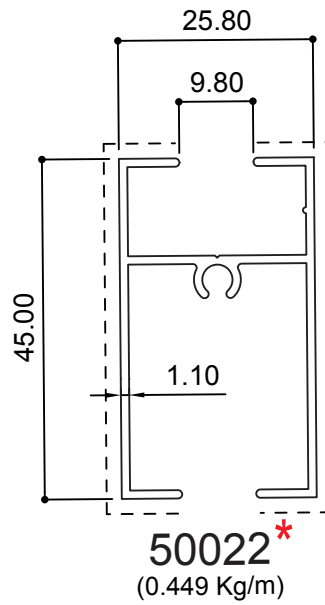
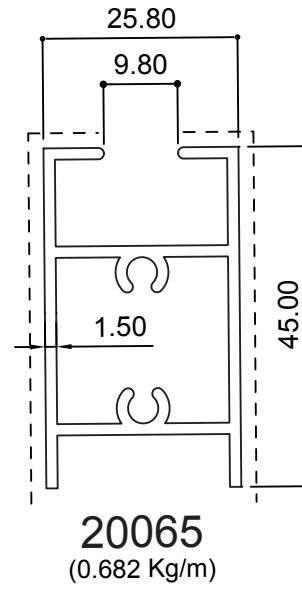
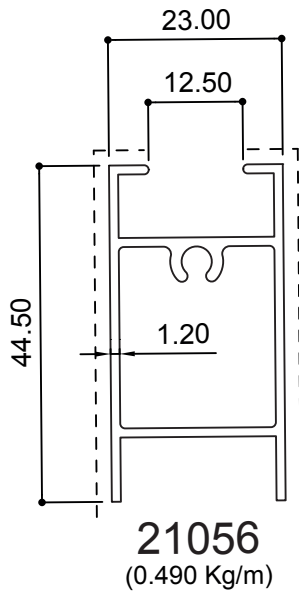
22383*
(0.385 Kg/m)



22380*
(0.483 Kg/m)

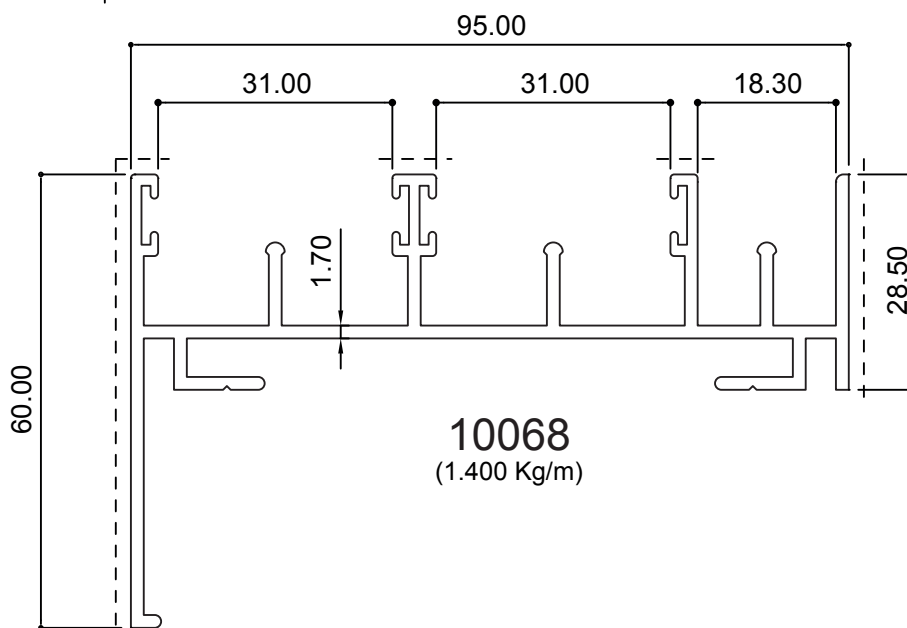
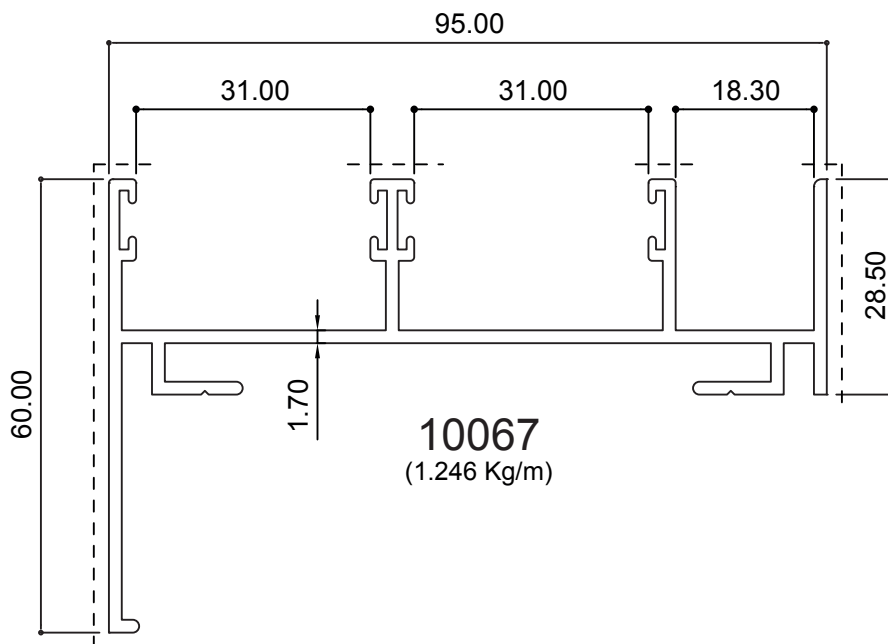
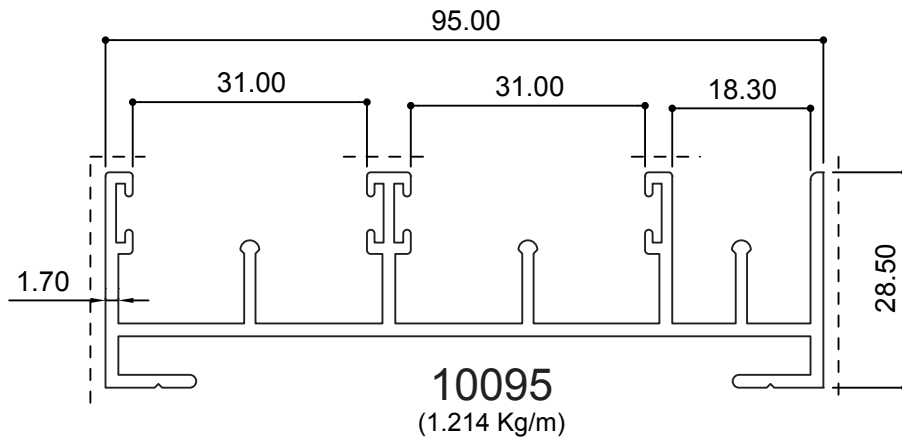
* For export, not recommended for GCC usage

Sash & Interlock



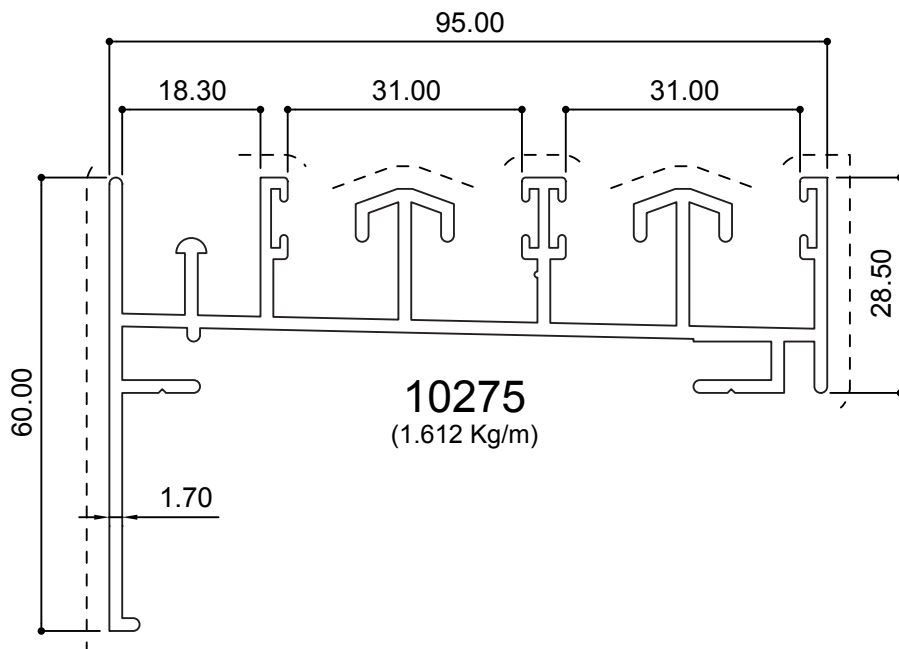
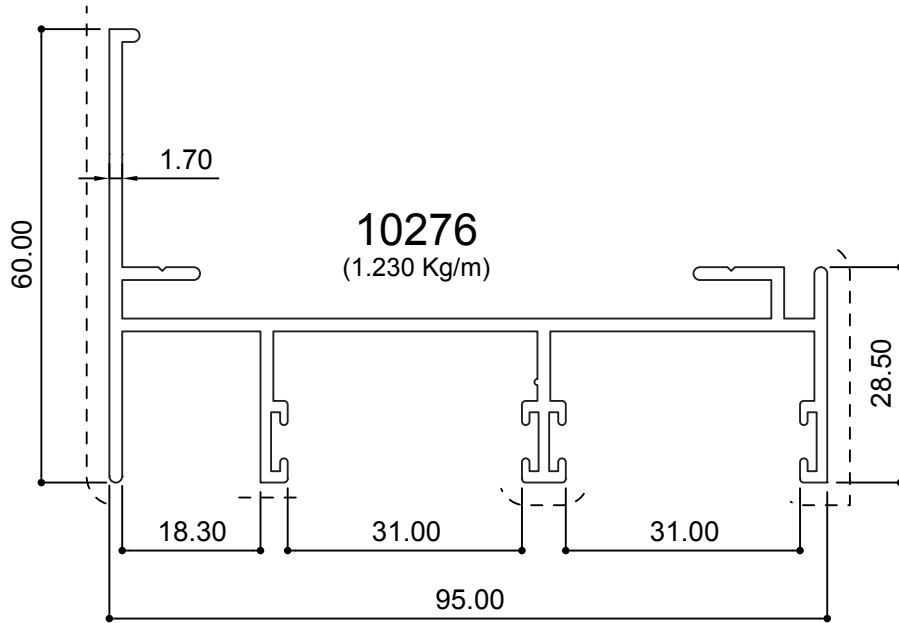
* For export, not recommended for GCC usage

Sliding Profiles



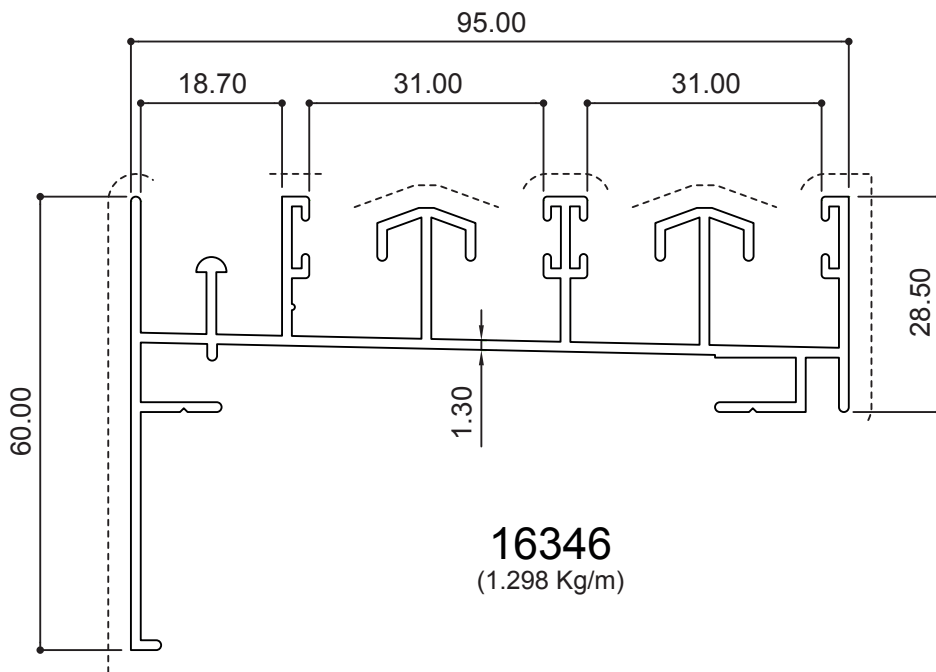
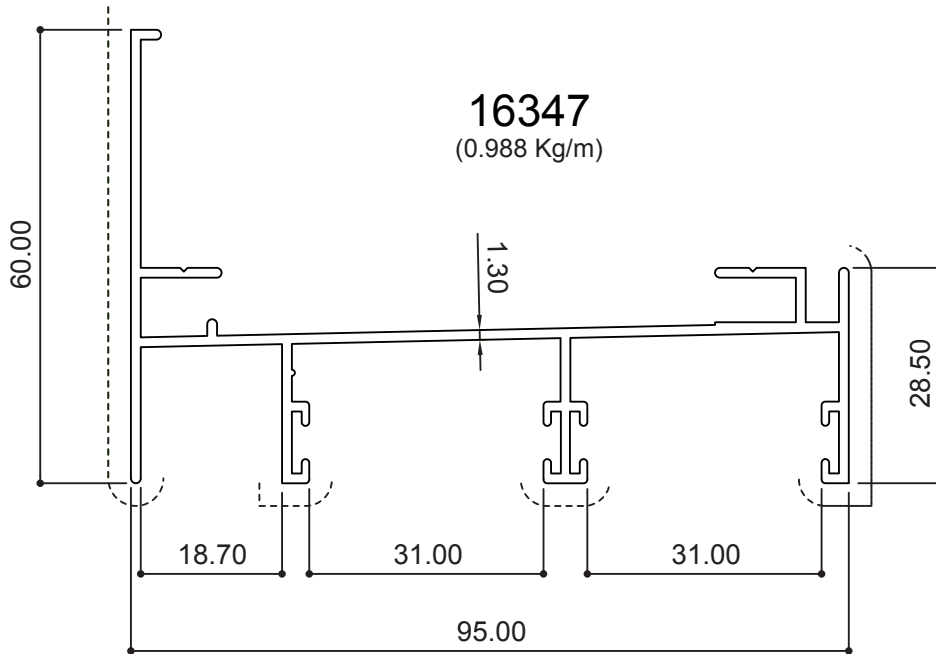
* For export, not recommended for GCC usage

Sliding Profiles



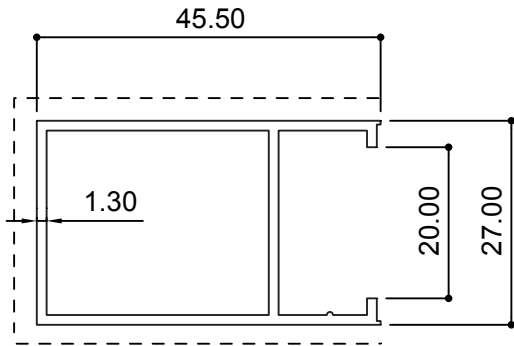
* For export, not recommended for GCC usage

Sliding Profiles

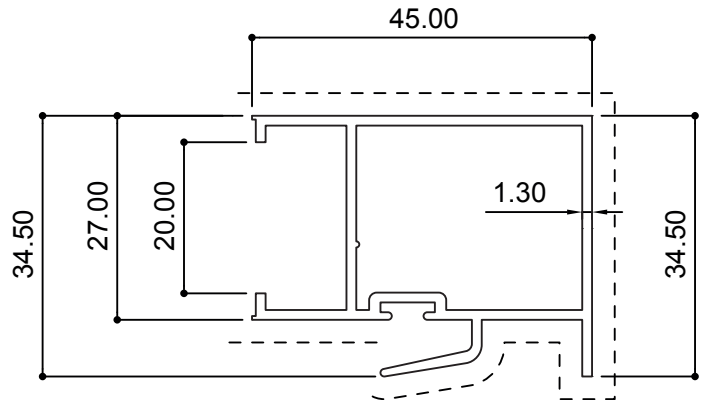


* For export, not recommended for GCC usage

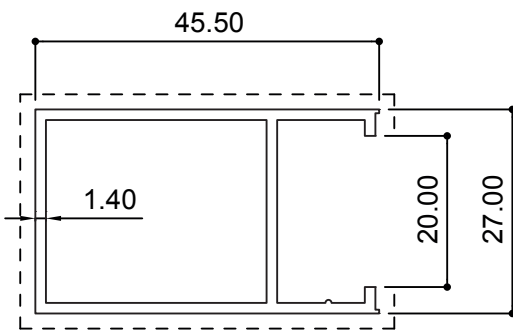
Sash & Interlock



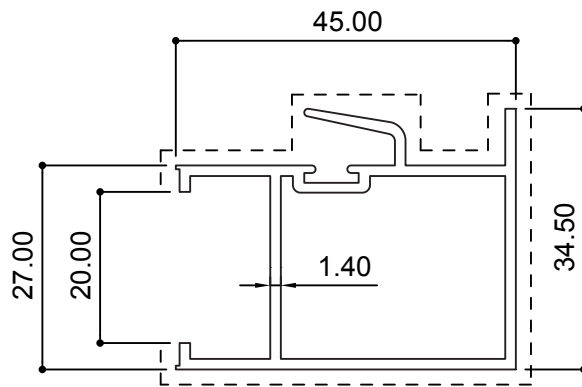
27159
(0.505 Kg/m)



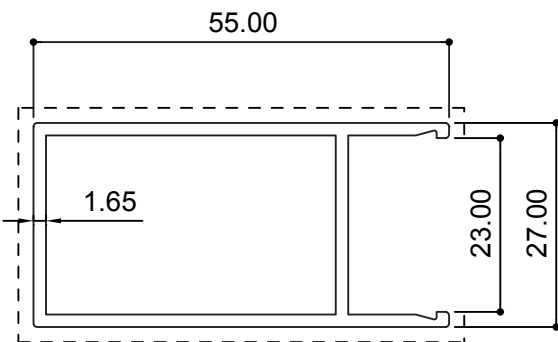
27158
(0.612 Kg/m)



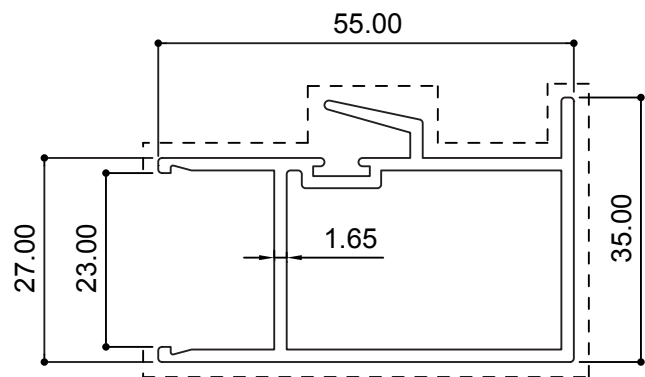
20433
(0.540 Kg/m)



20434
(0.648 Kg/m)



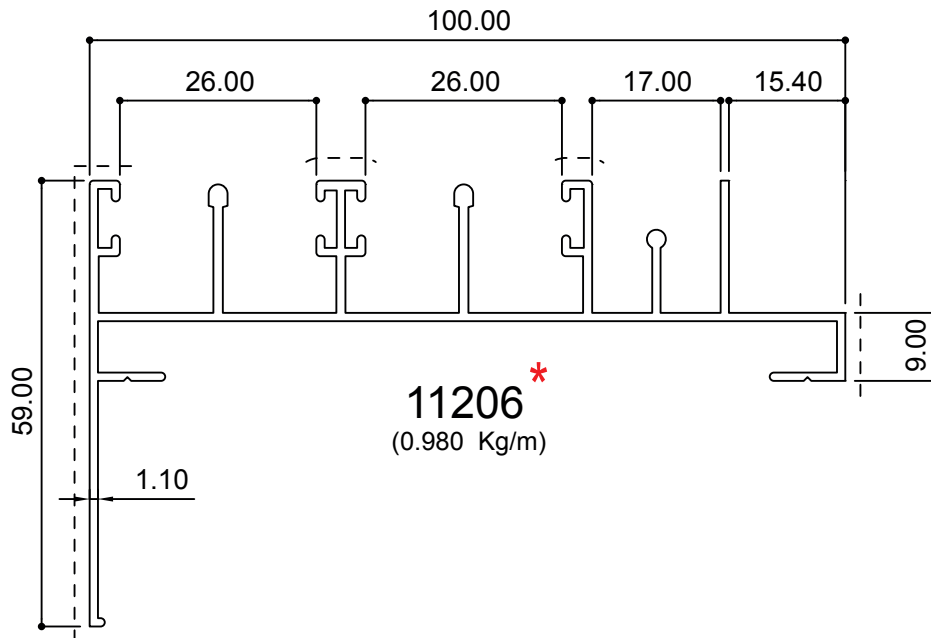
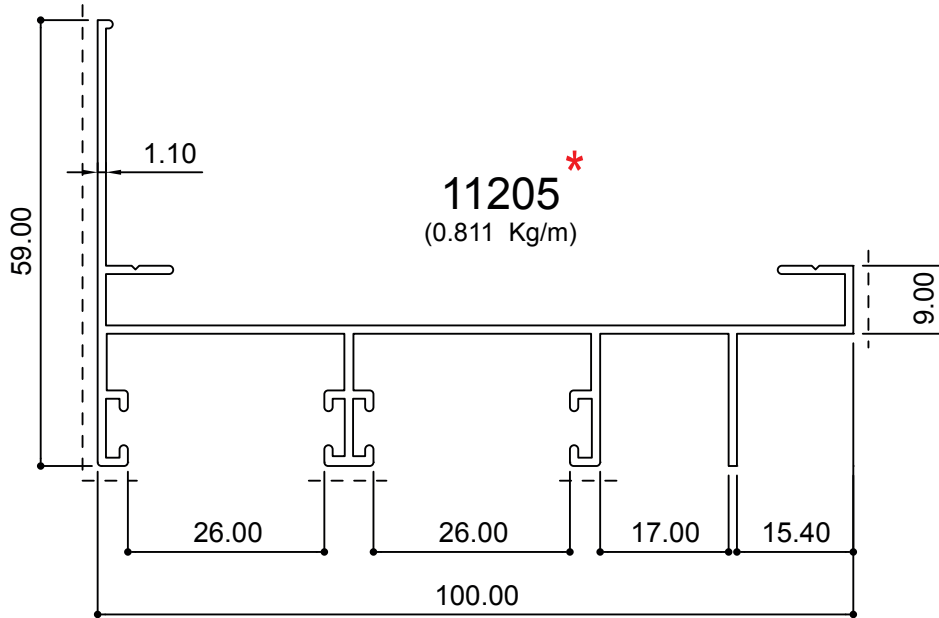
24200
(0.698 Kg/m)



24202
(0.831 Kg/m)

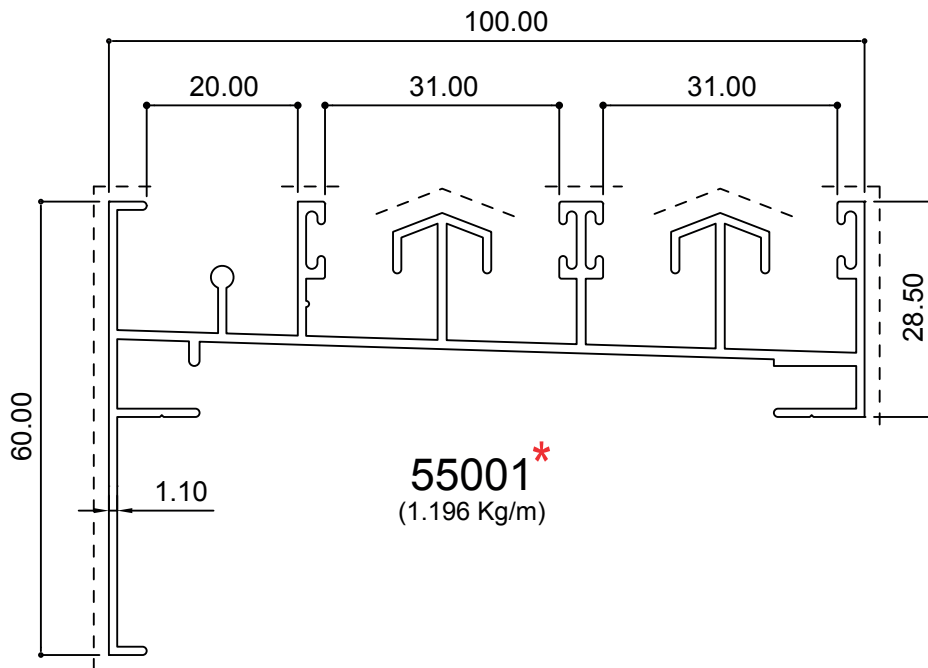
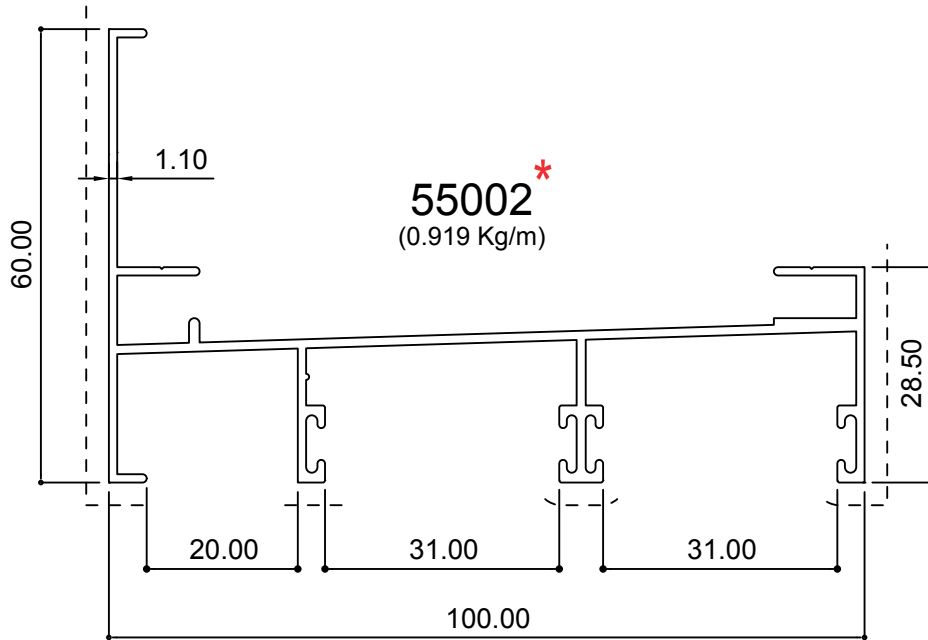
* For export, not recommended for GCC usage

Sliding Profiles



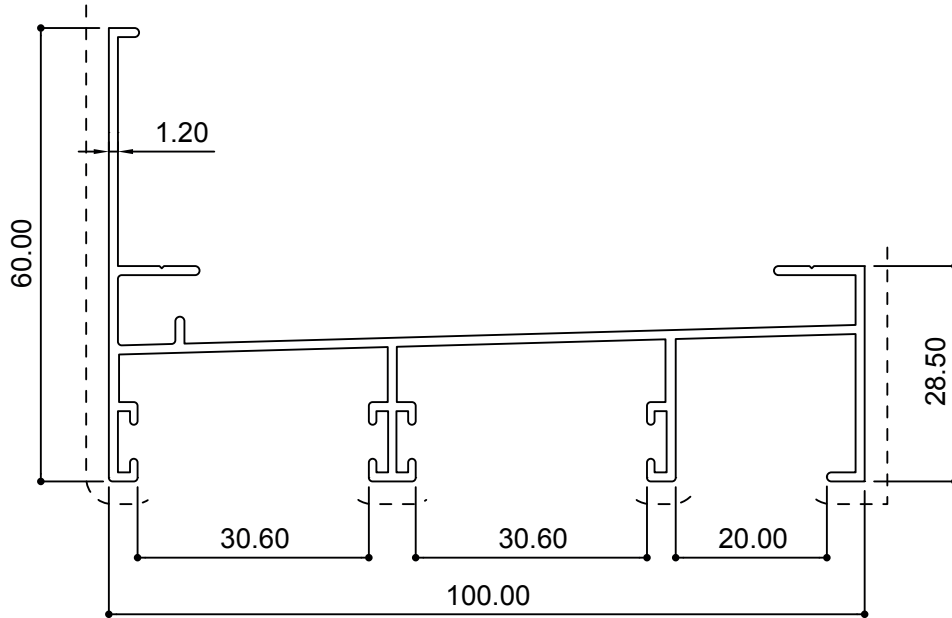
* For export, not recommended for GCC usage

Sliding Profiles

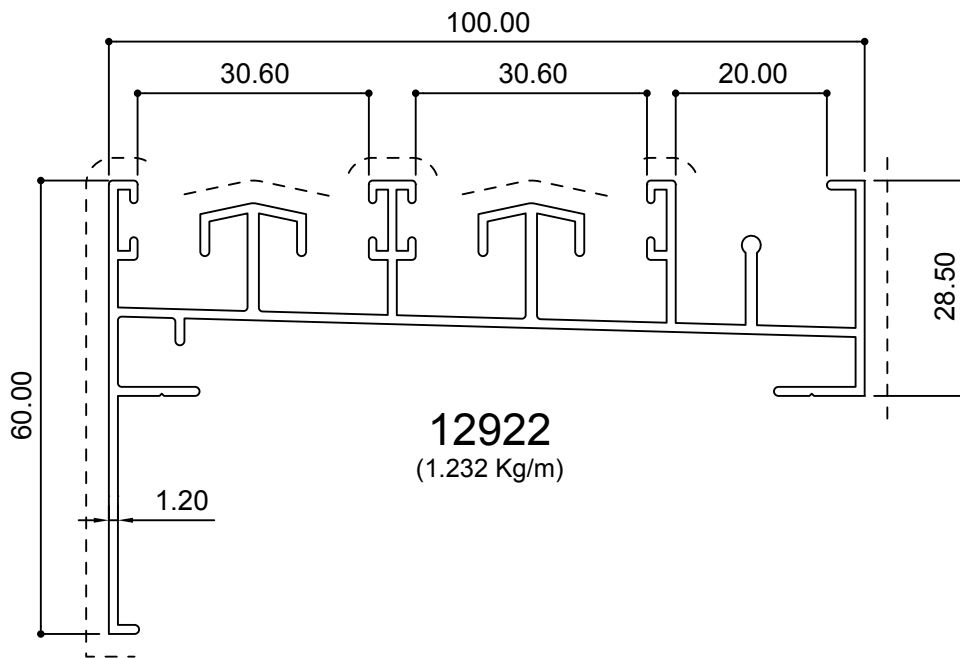


* For export, not recommended for GCC usage

Sliding Profiles



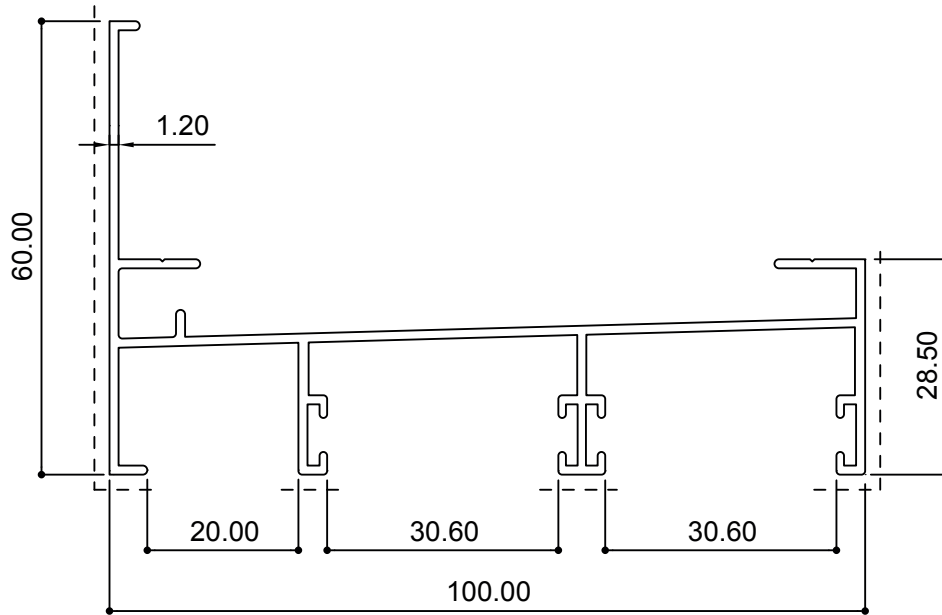
12921
(0.928 Kg/m)



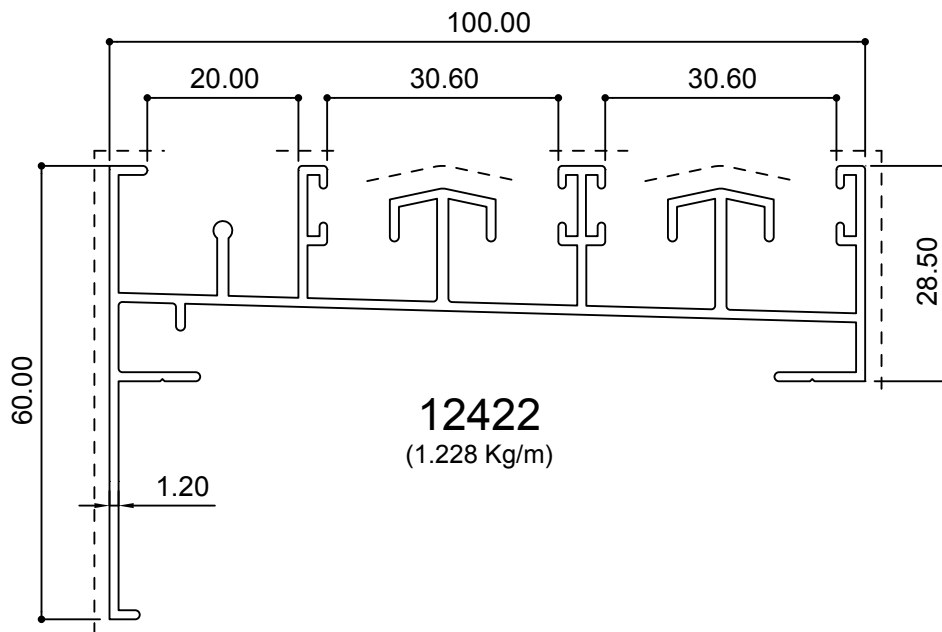
12922
(1.232 Kg/m)

* For export, not recommended for GCC usage

Sliding Profiles



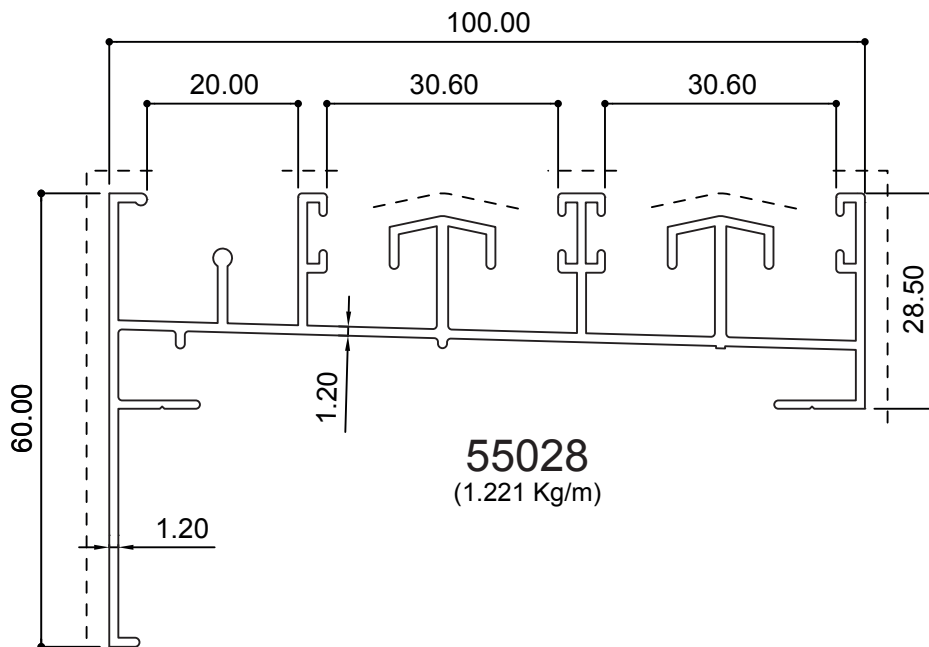
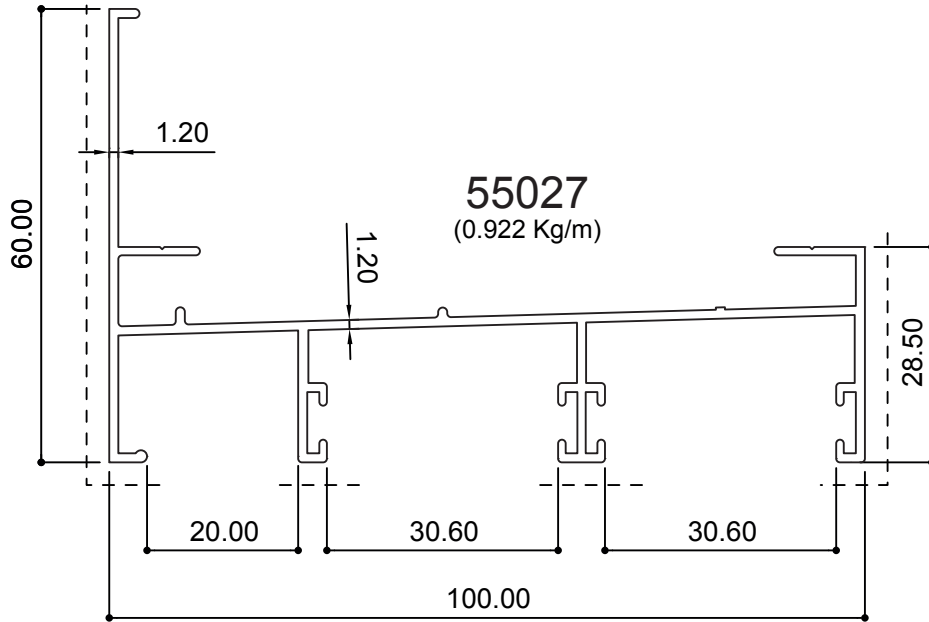
12421
(0.926 Kg/m)



12422
(1.228 Kg/m)

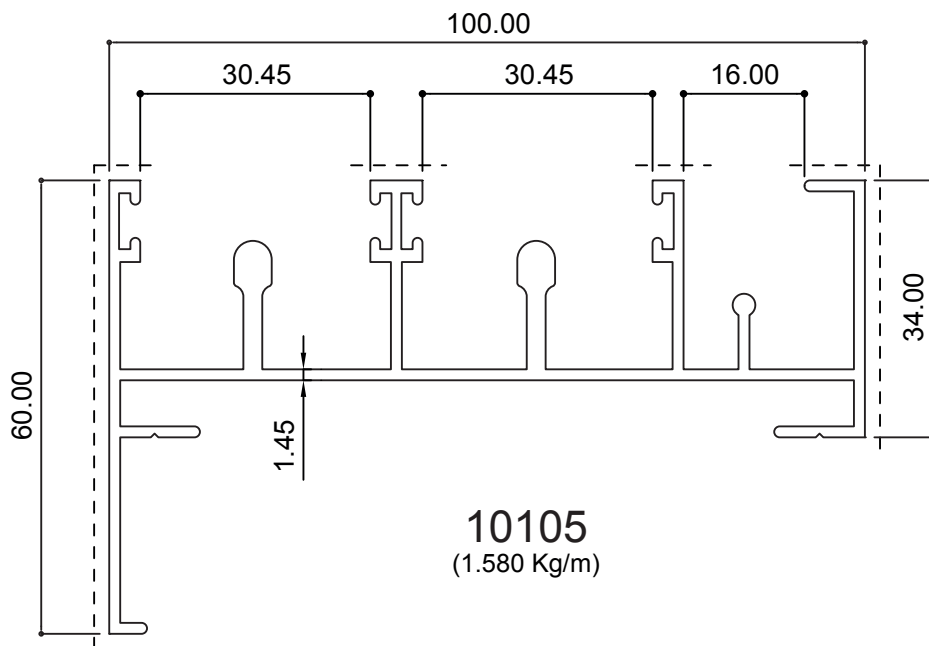
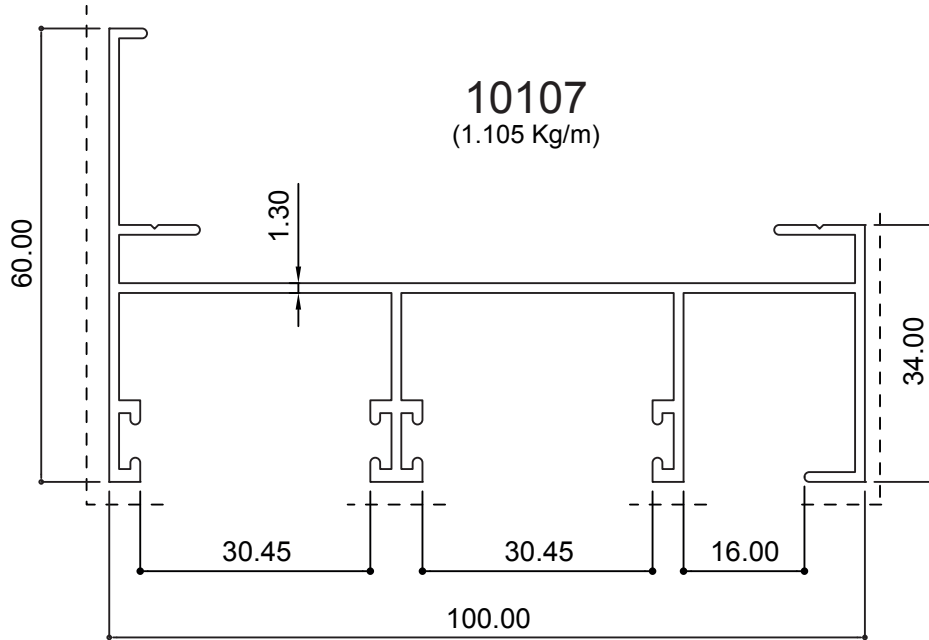
* For export, not recommended for GCC usage

Sliding Profiles



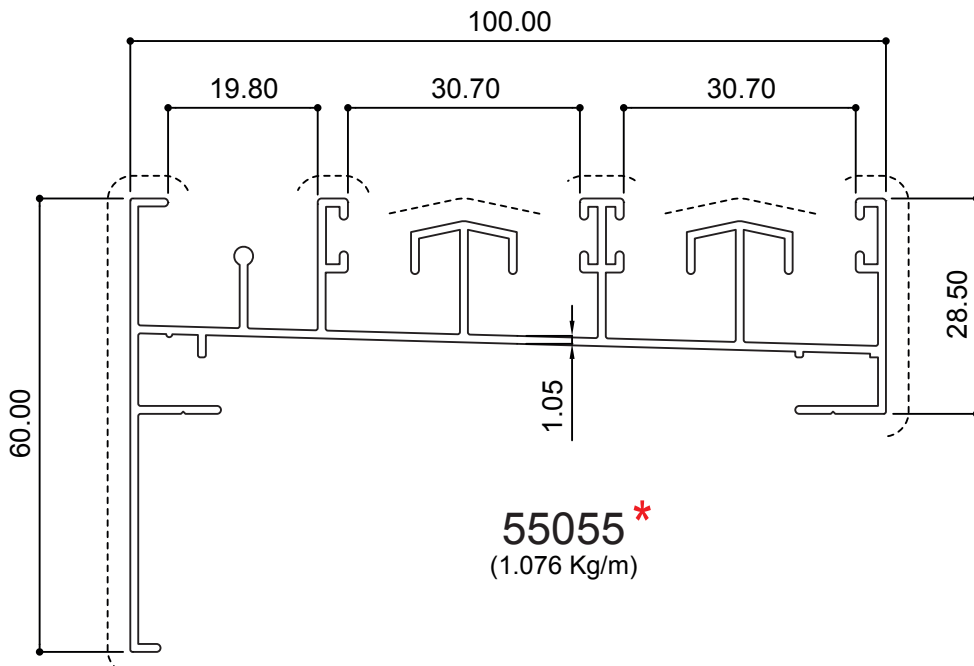
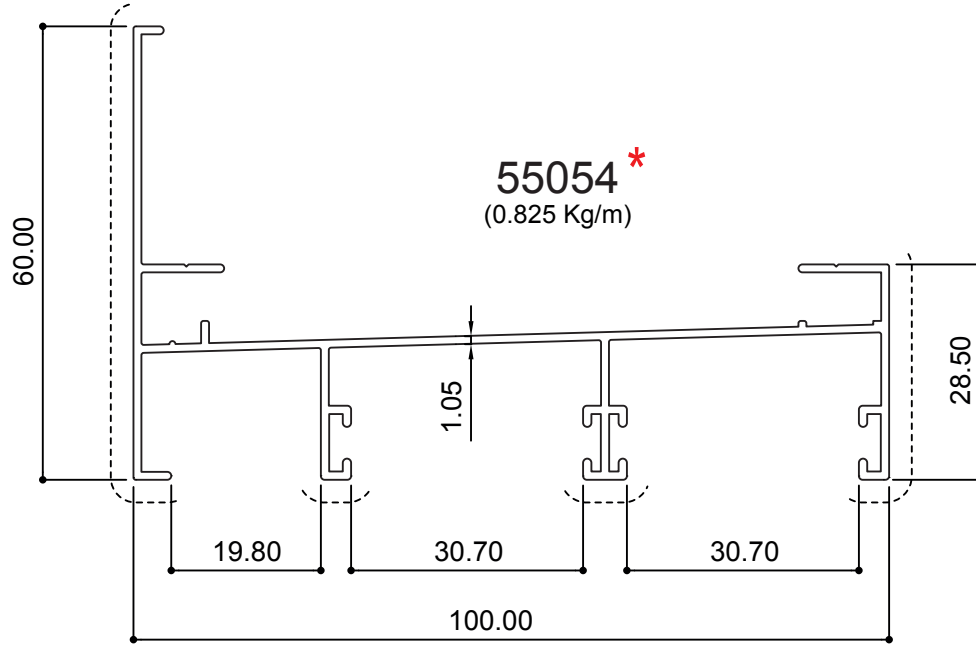
* For export, not recommended for GCC usage

Sliding Profiles



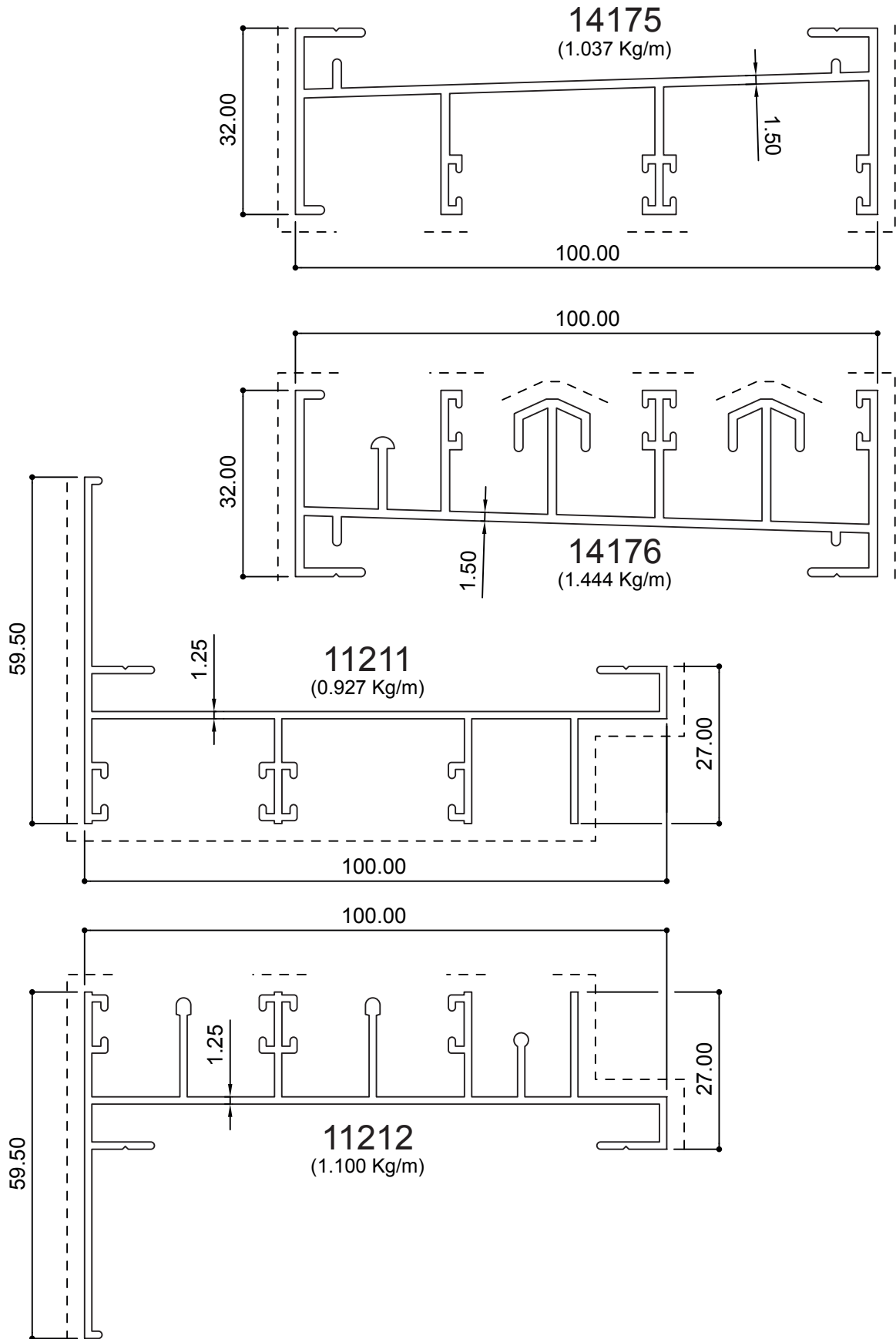
* For export, not recommended for GCC usage

Sliding Profiles



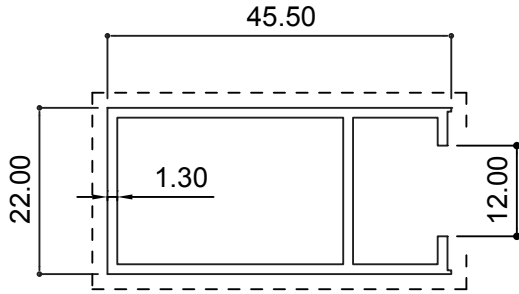
* For export, not recommended for GCC usage

Sliding Profiles

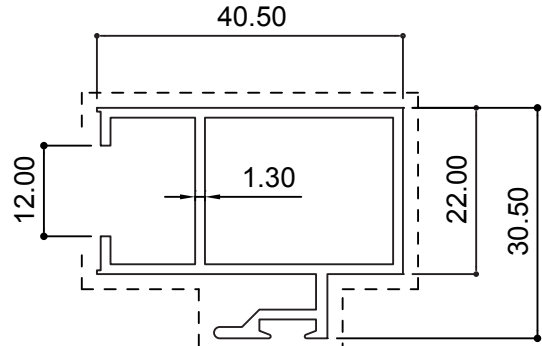


* For export, not recommended for GCC usage

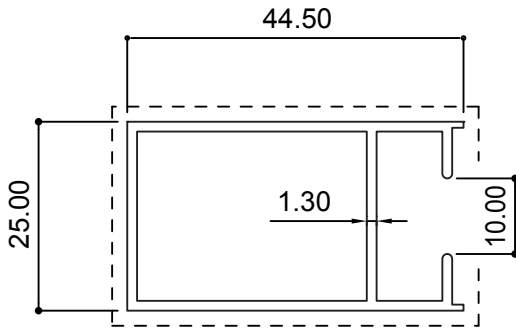
Sash & Interlock



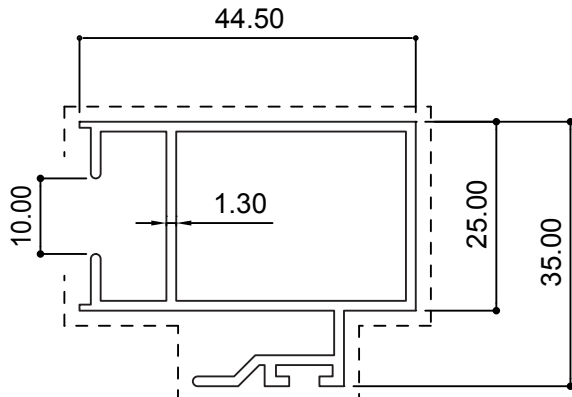
20038
(0.481 Kg/m)



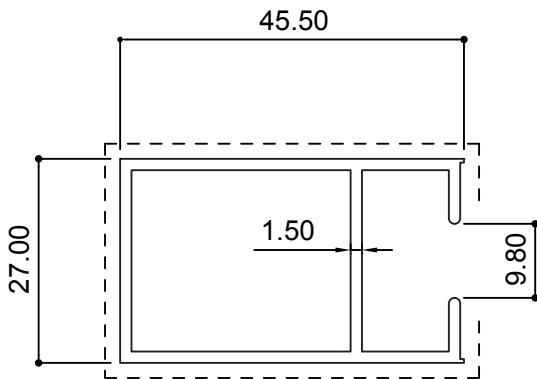
20039
(0.548 Kg/m)



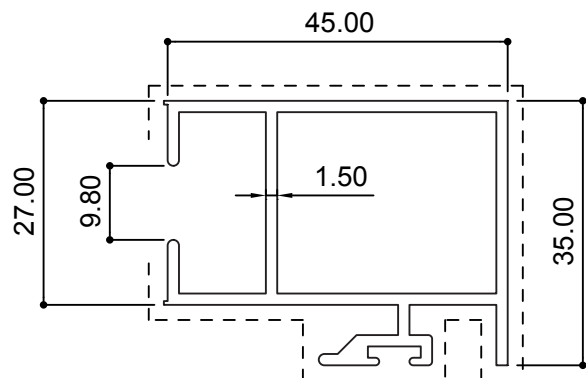
20041
(0.510 Kg/m)



20042
(0.637 Kg/m)



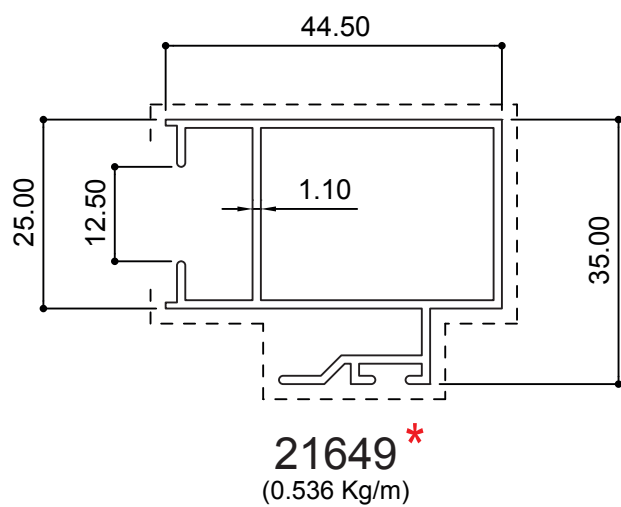
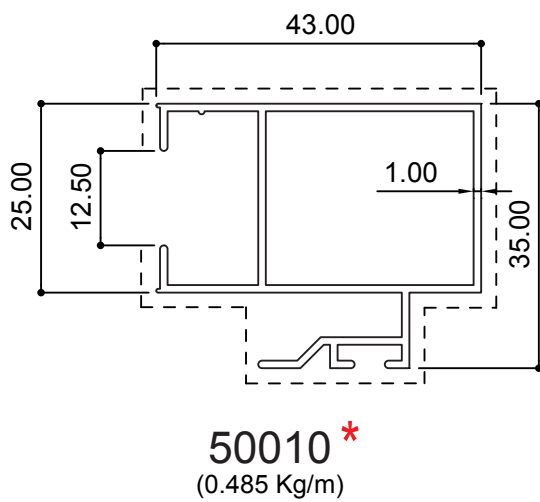
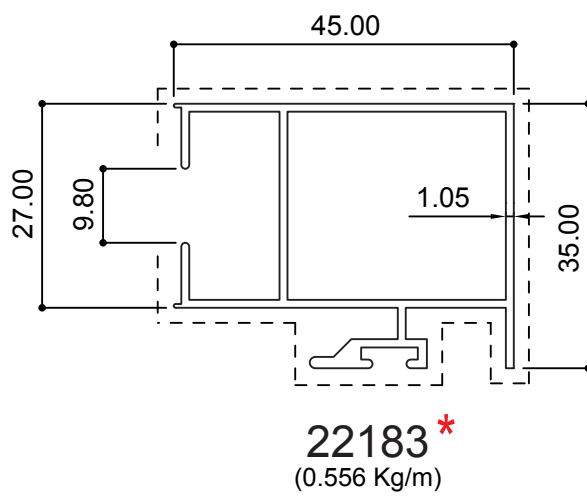
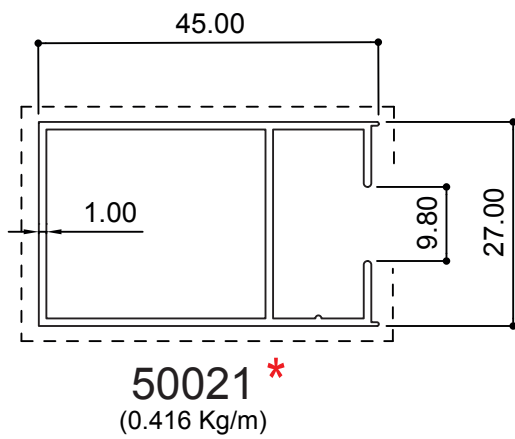
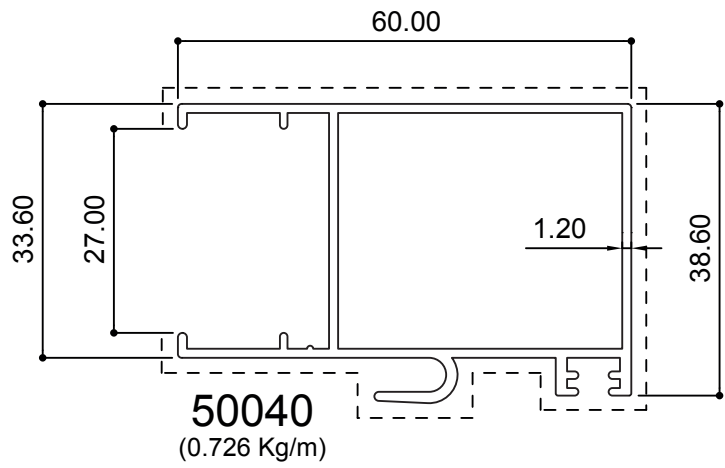
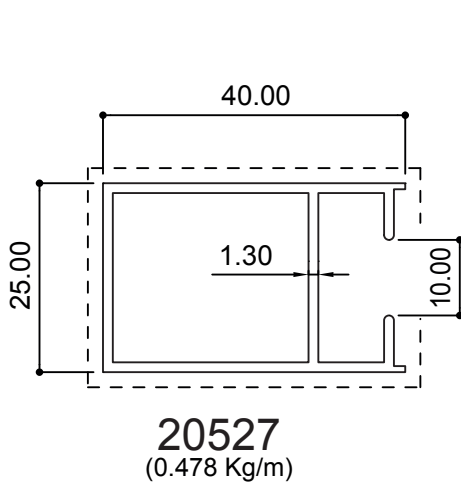
20064
(0.616 Kg/m)



20066
(0.756 Kg/m)

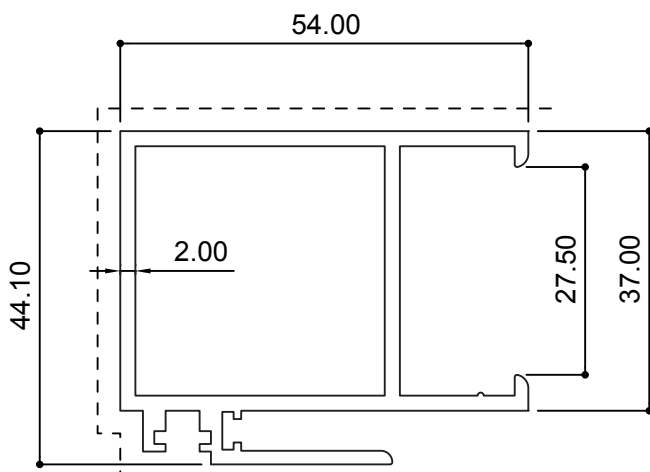
* For export, not recommended for GCC usage

Sash & Interlock

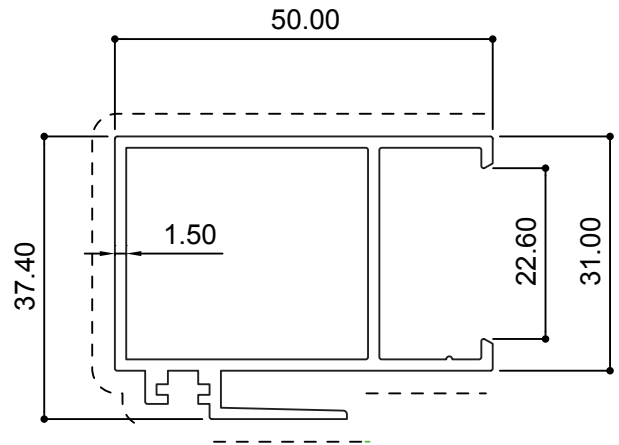


* For export, not recommended for GCC usage

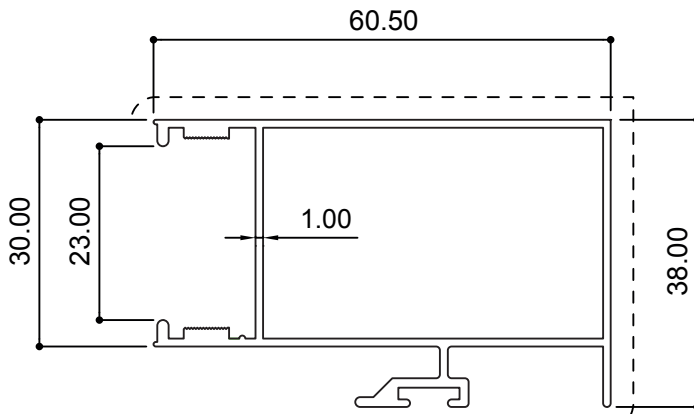
Sash & Interlock



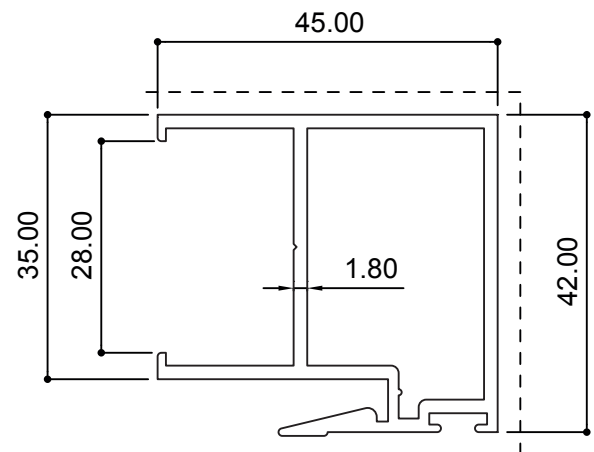
50097
(1.159 Kg/m)



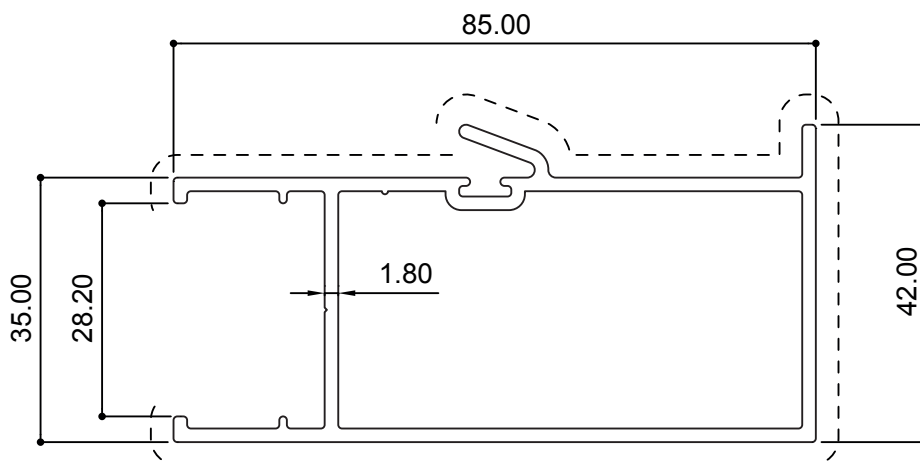
50100
(0.779 Kg/m)



50123*
(0.670 Kg/m)



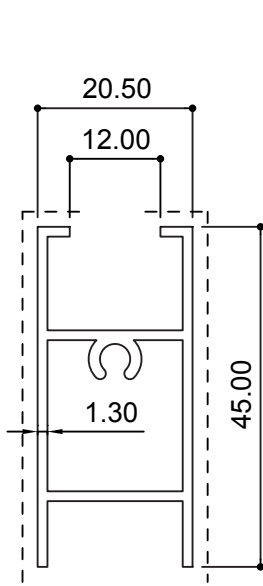
50106
(0.907 Kg/m)



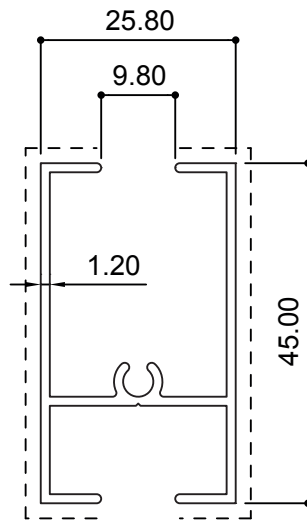
40022
(1.284 Kg/m)

* For export, not recommended for GCC usage

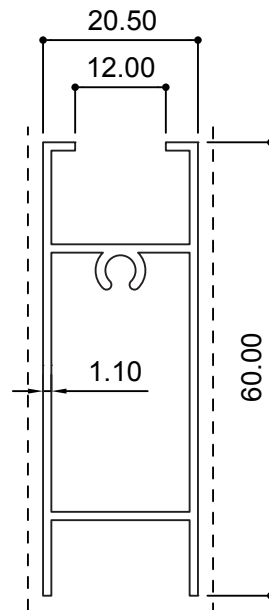
Sash & Interlock



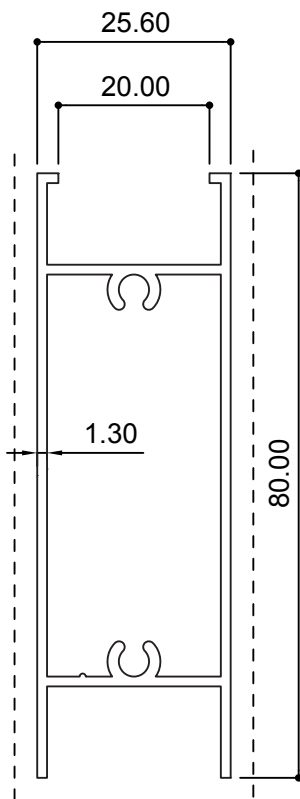
20040
(0.503 Kg/m)



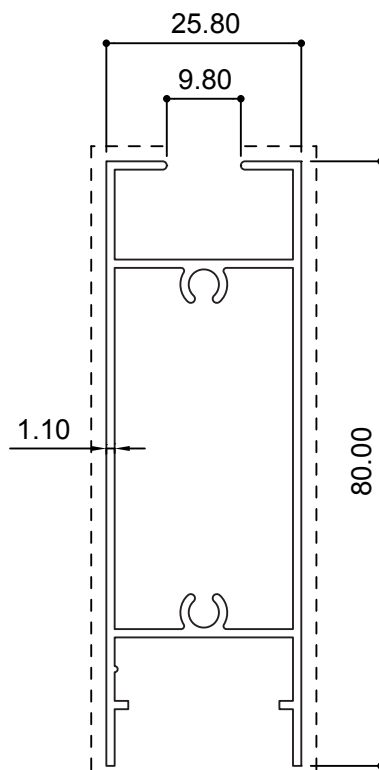
12501
(0.486 Kg/m)



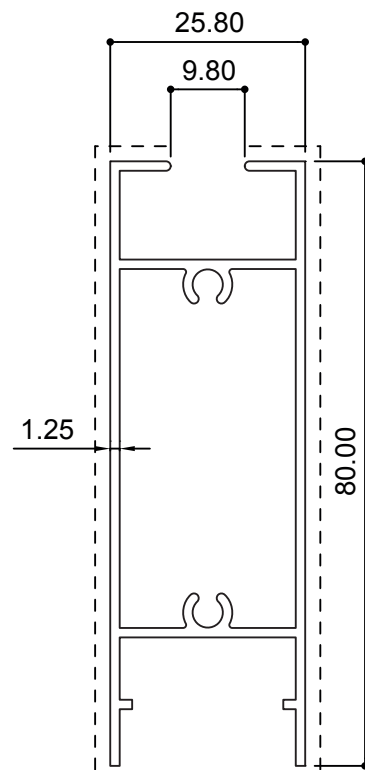
21127*
(0.523 Kg/m)



27157
(0.815 Kg/m)



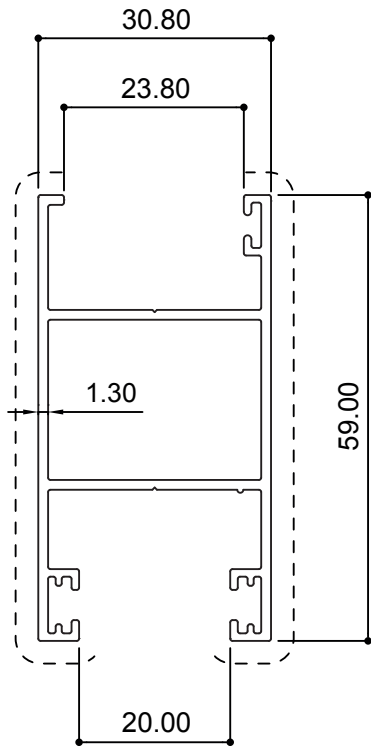
50023*
(0.731 Kg/m)



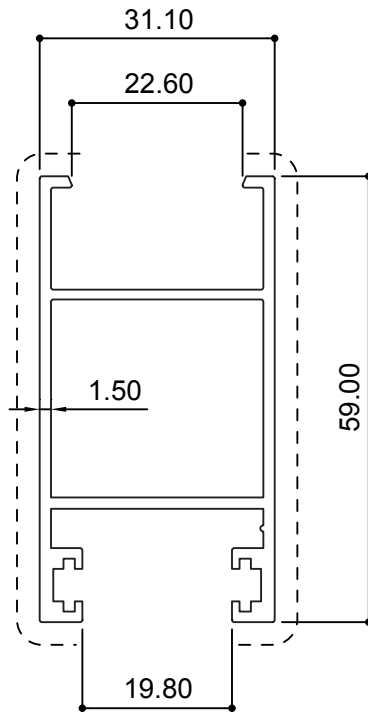
21779
(0.822 Kg/m)

* For export, not recommended for GCC usage

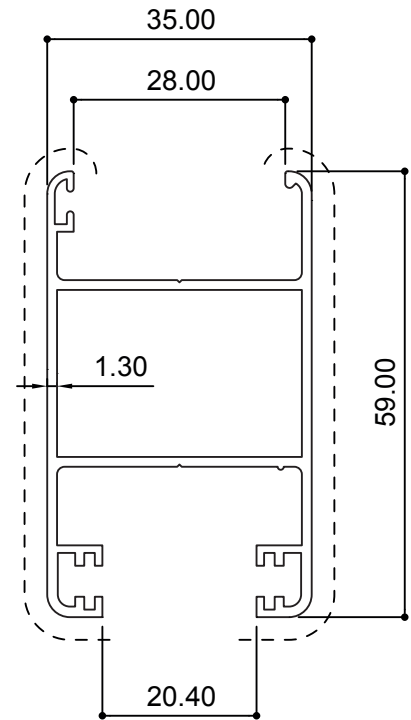
Sash & Interlock



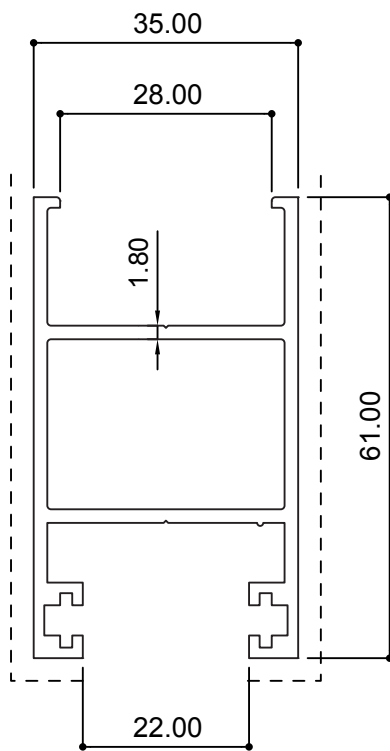
50118
(0.714 Kg/m)



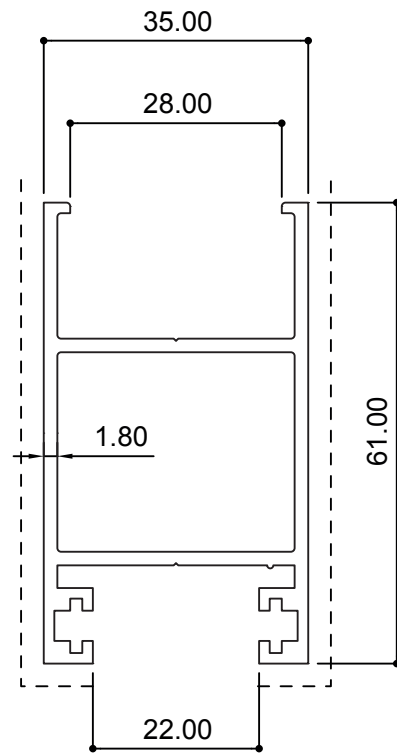
50099
(0.819 Kg/m)



50109
(0.769 Kg/m)



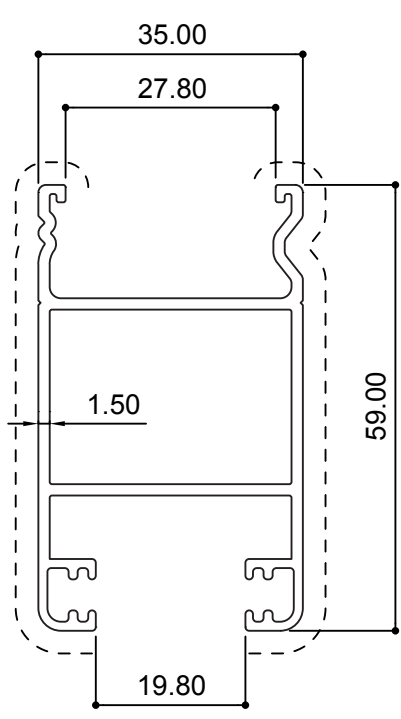
50113
(1.028 Kg/m)



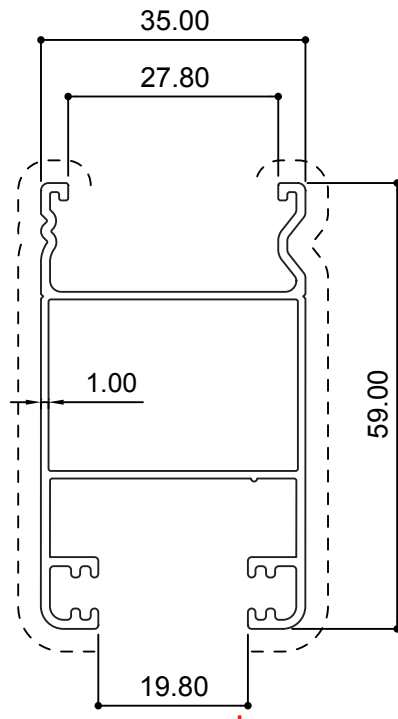
50107
(1.028 Kg/m)

* For export, not recommended for GCC usage

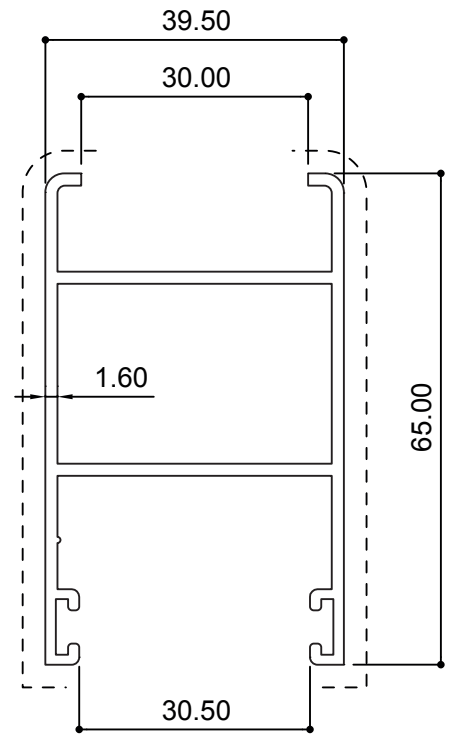
Sash & Interlock



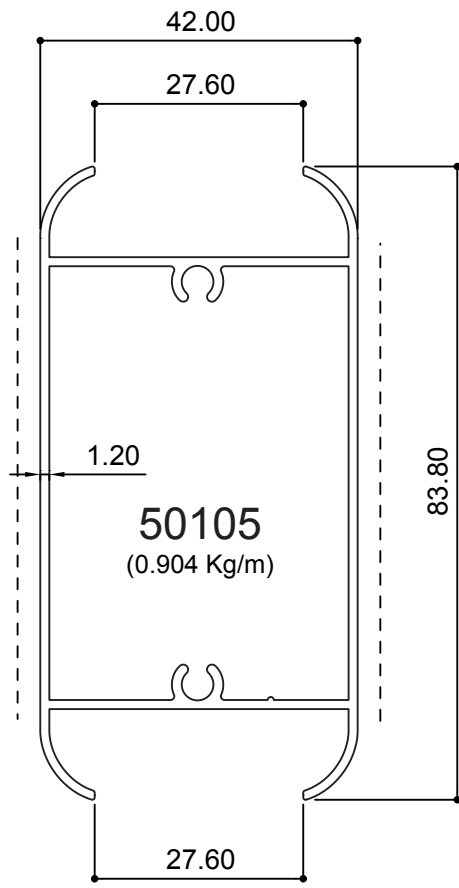
50094
(0.865 Kg/m)



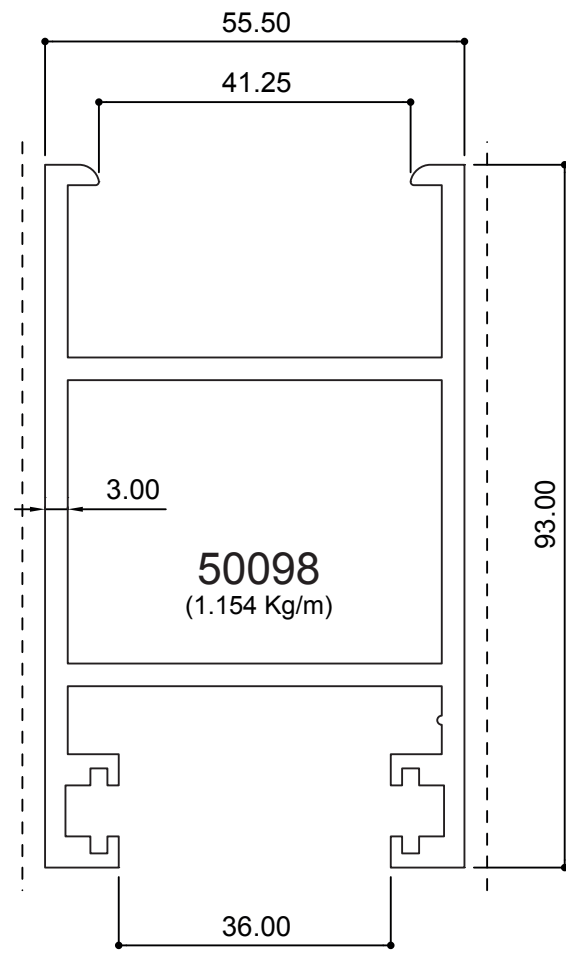
50116*
(0.678 Kg/m)



50101
(0.952 Kg/m)



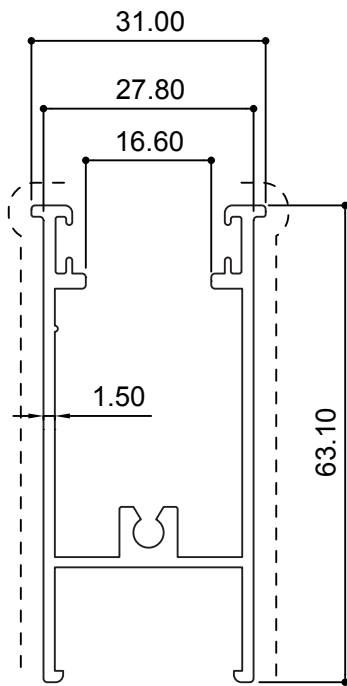
50105
(0.904 Kg/m)



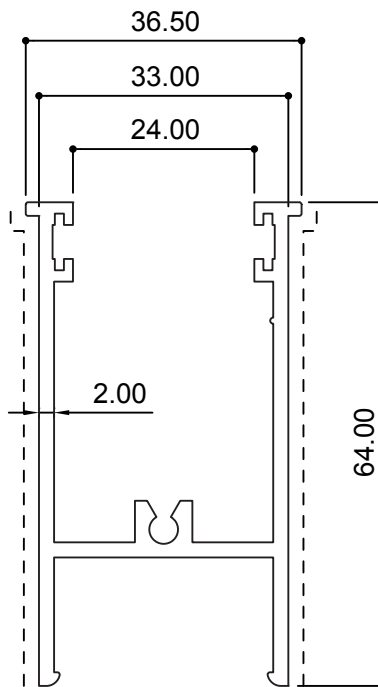
50098
(1.154 Kg/m)

* For export, not recommended for GCC usage

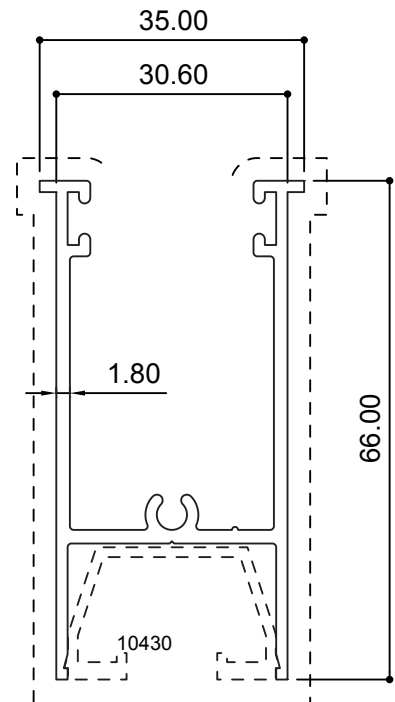
Sash & Interlock



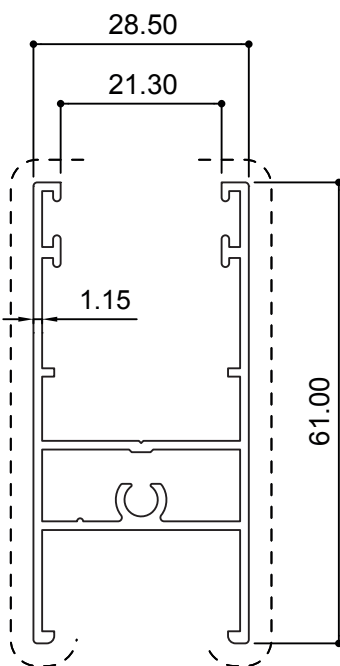
55057
(0.793 Kg/m)



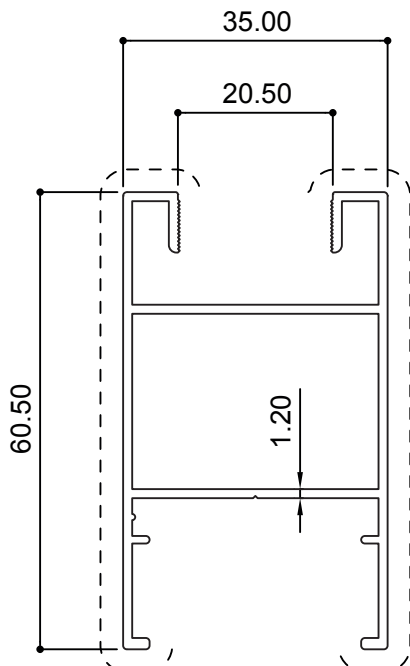
55056
(0.990 Kg/m)



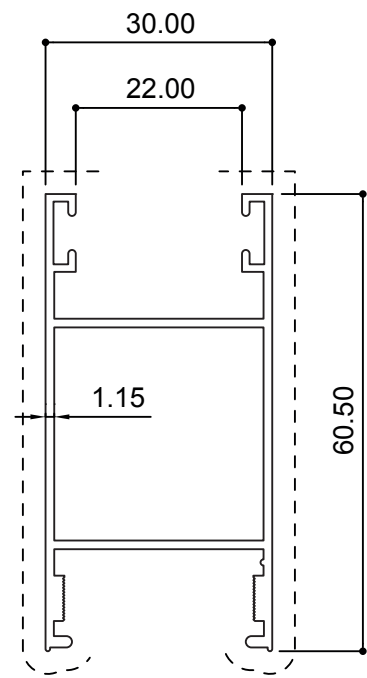
55060
(0.855 Kg/m)



50122*
(0.661 Kg/m)



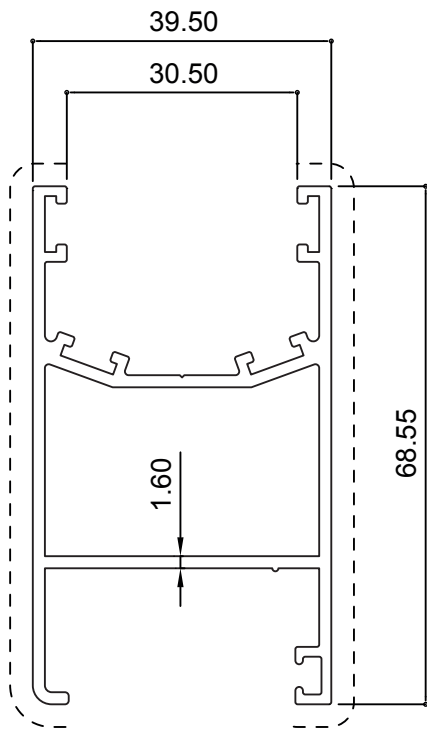
50129
(0.720 Kg/m)



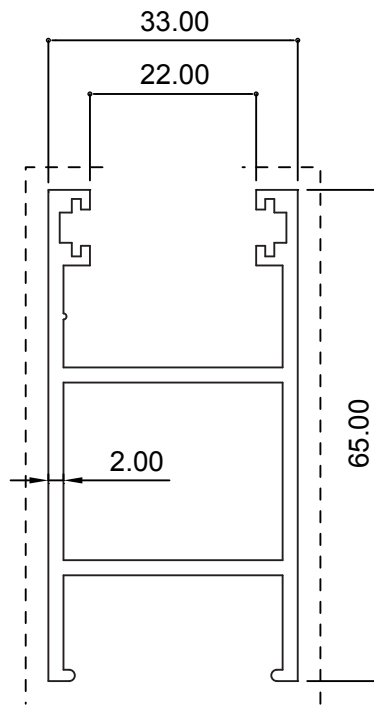
50124*
(0.650 Kg/m)

* For export, not recommended for GCC usage

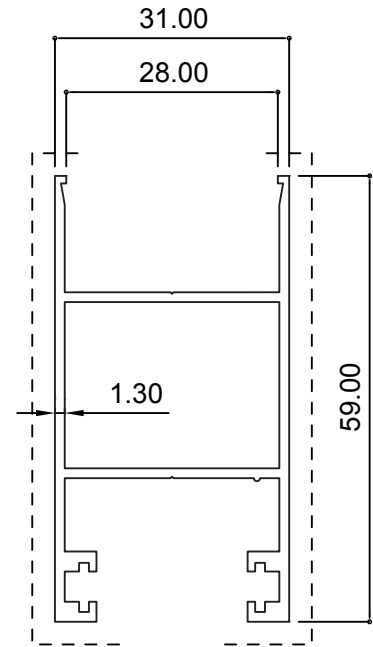
Sash & Interlock



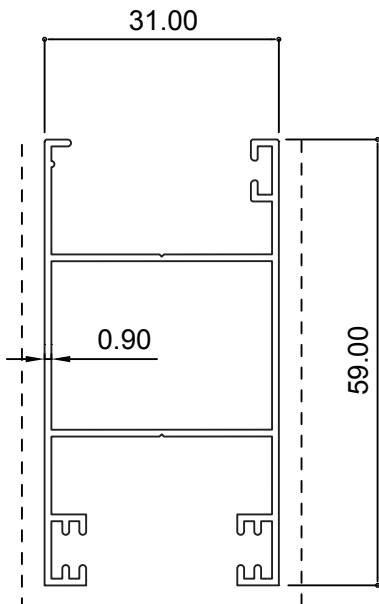
50150
(1.064 Kg/m)



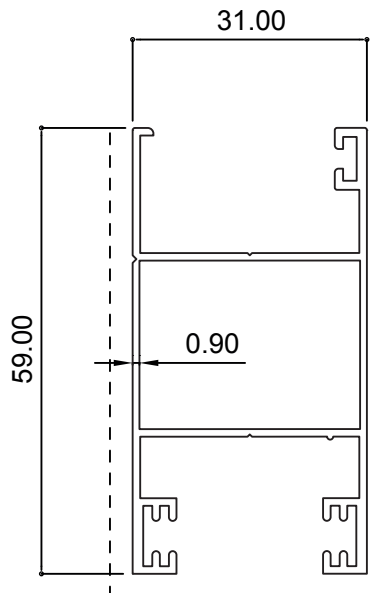
50149
(1.101 Kg/m)



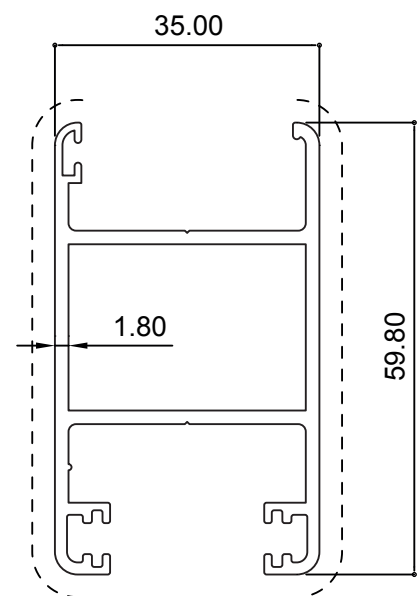
50134
(0.714 Kg/m)



50142*
(0.535 Kg/m)



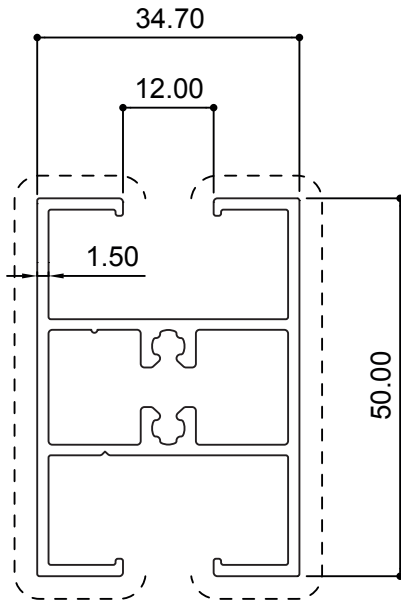
50140*
(0.612 Kg/m)



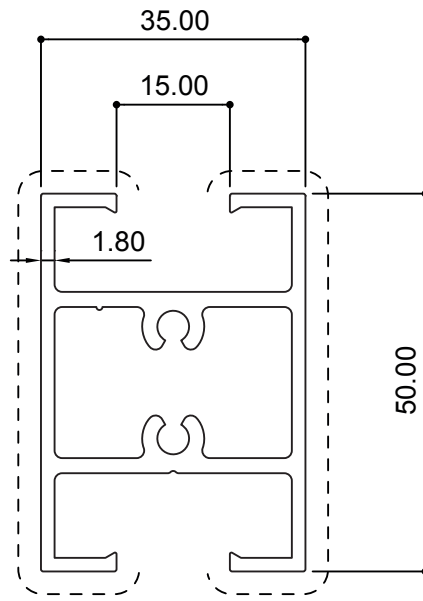
50135
(0.991 Kg/m)

* For export, not recommended for GCC usage

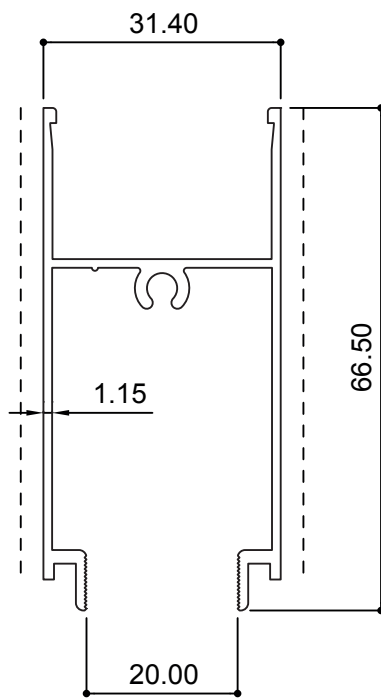
Sash & Interlock



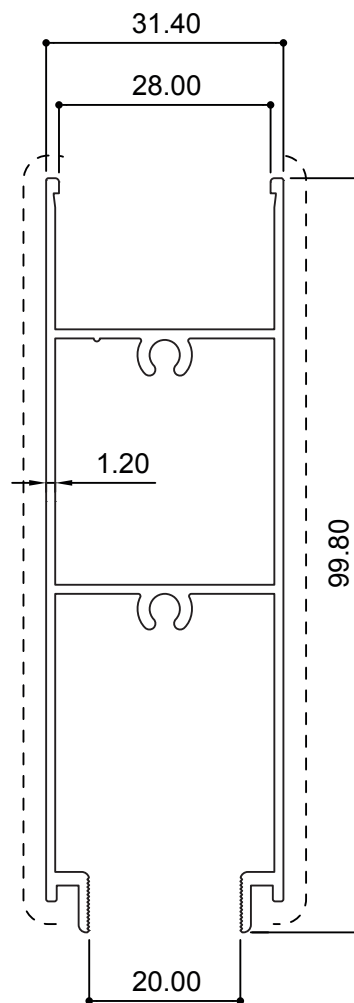
27568
(0.923 Kg/m)



27569
(1.137 Kg/m)



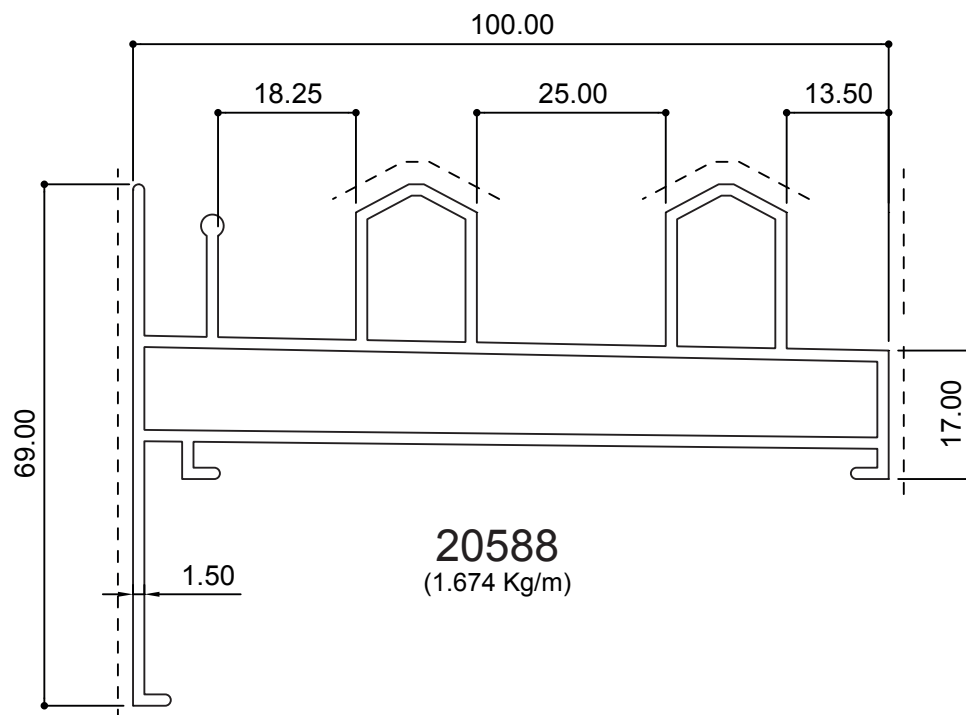
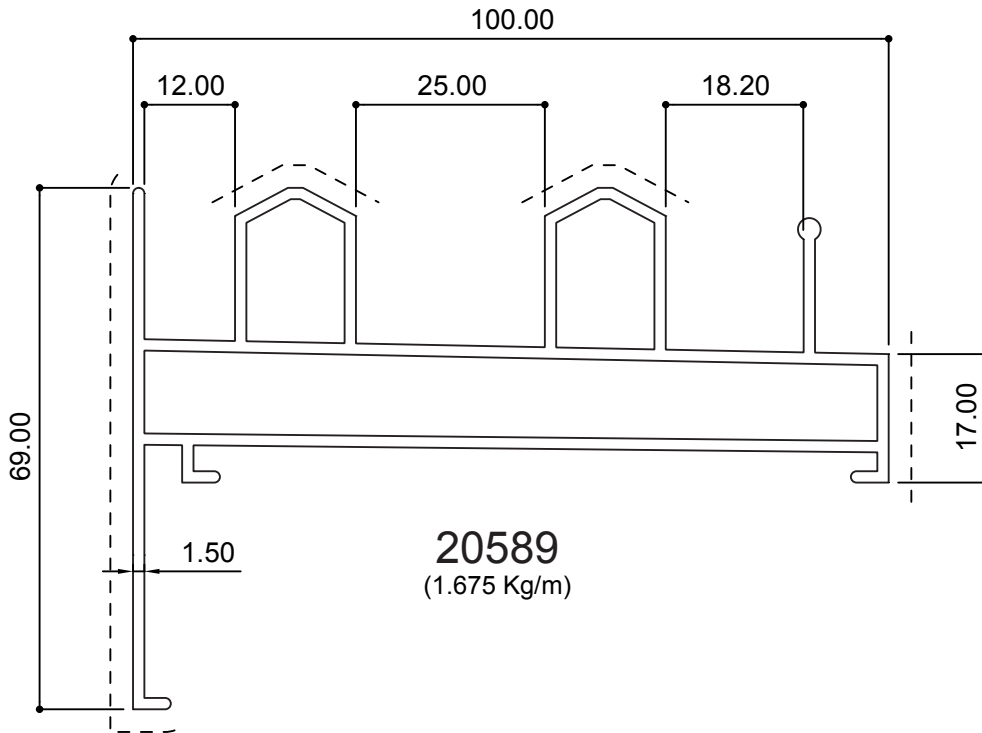
55061*
(0.627 Kg/m)



50130
(0.989 Kg/m)

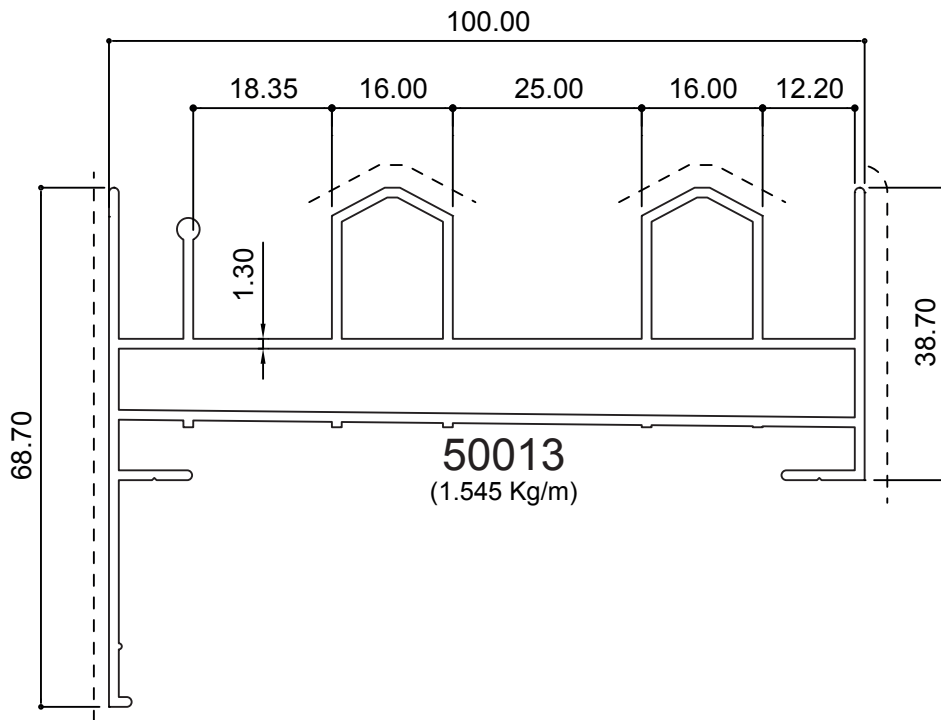
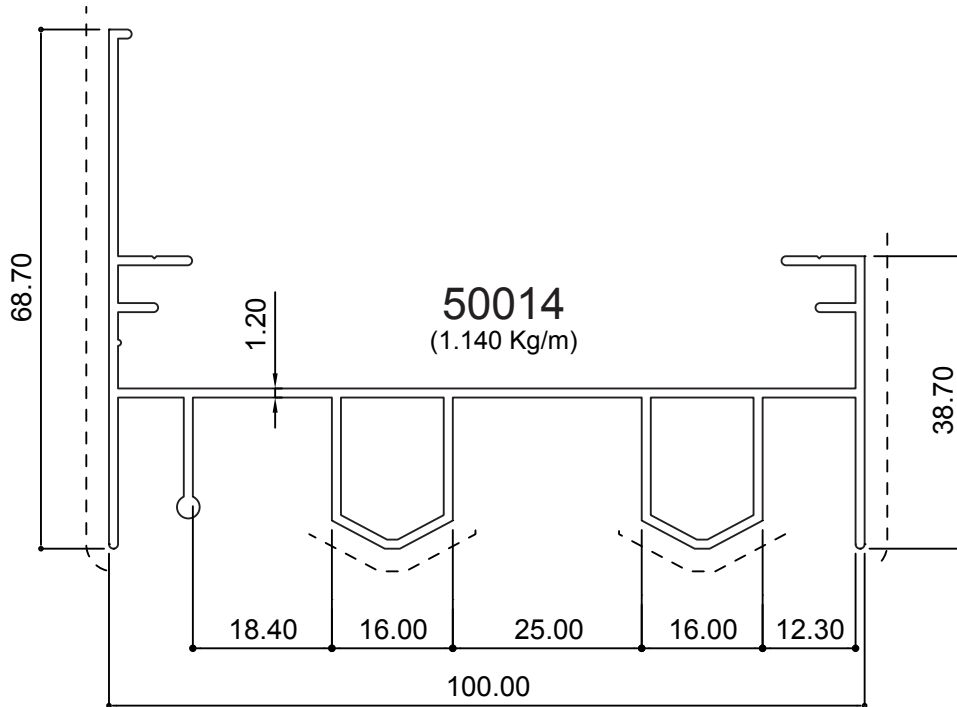
* For export, not recommended for GCC usage

Sliding Profiles



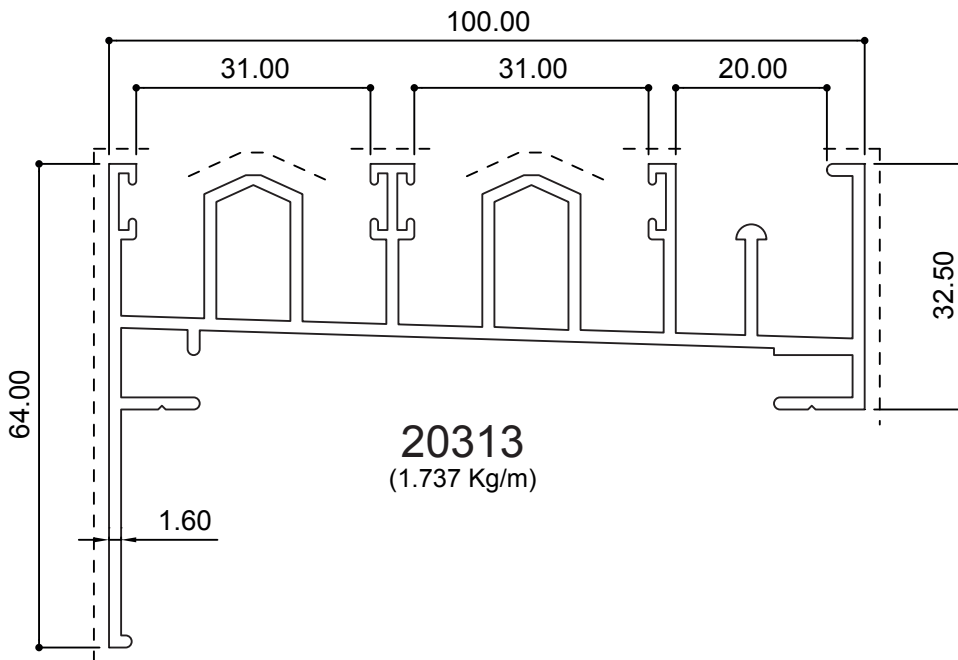
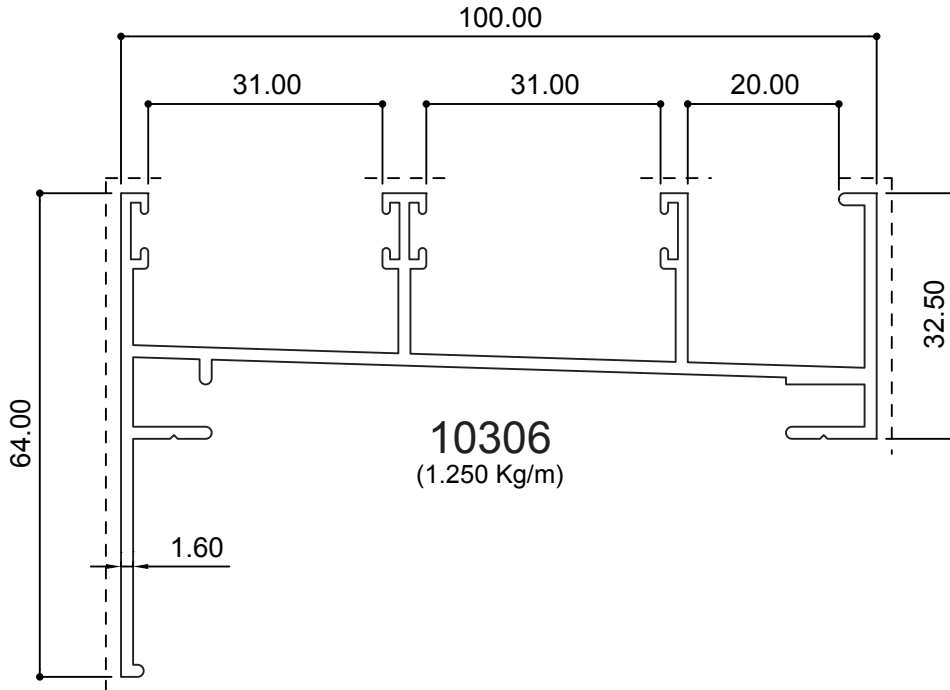
* For export, not recommended for GCC usage

Sliding Profiles



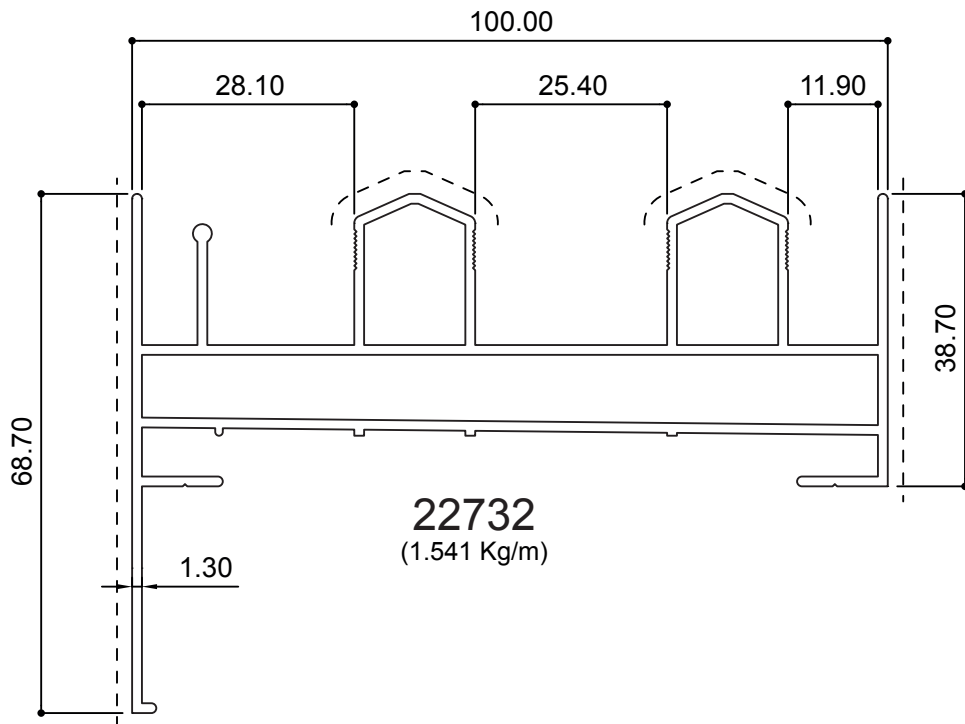
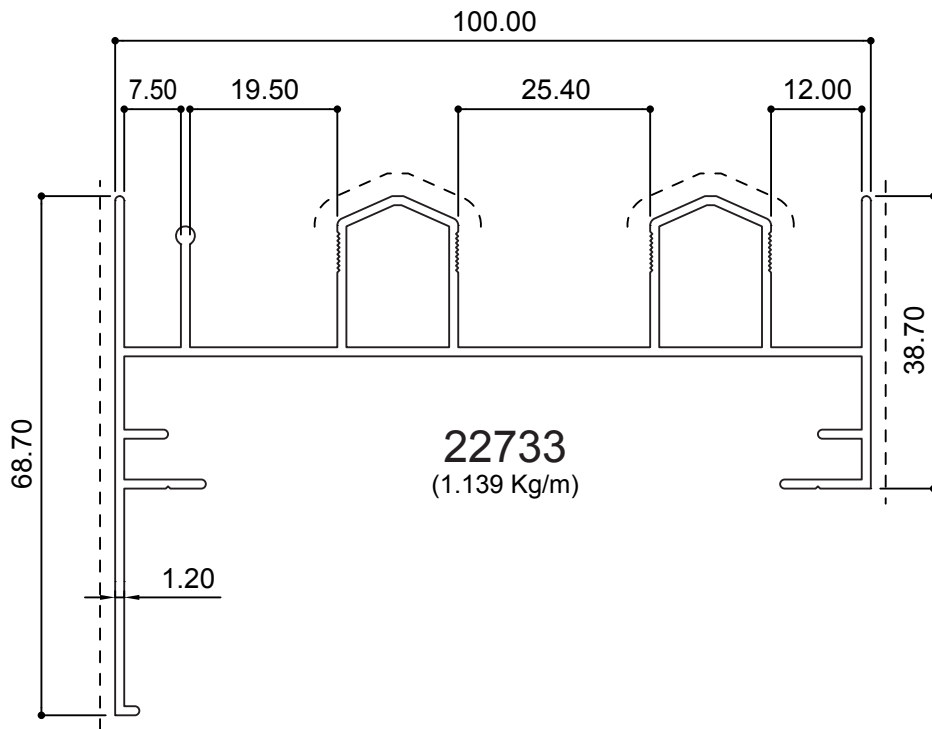
* For export, not recommended for GCC usage

Sliding Profiles



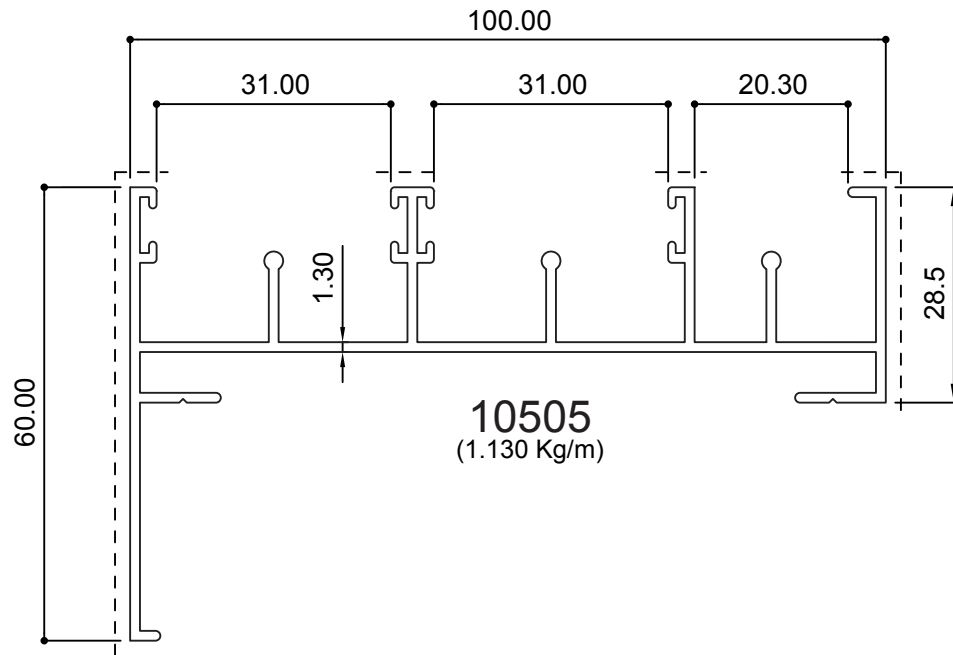
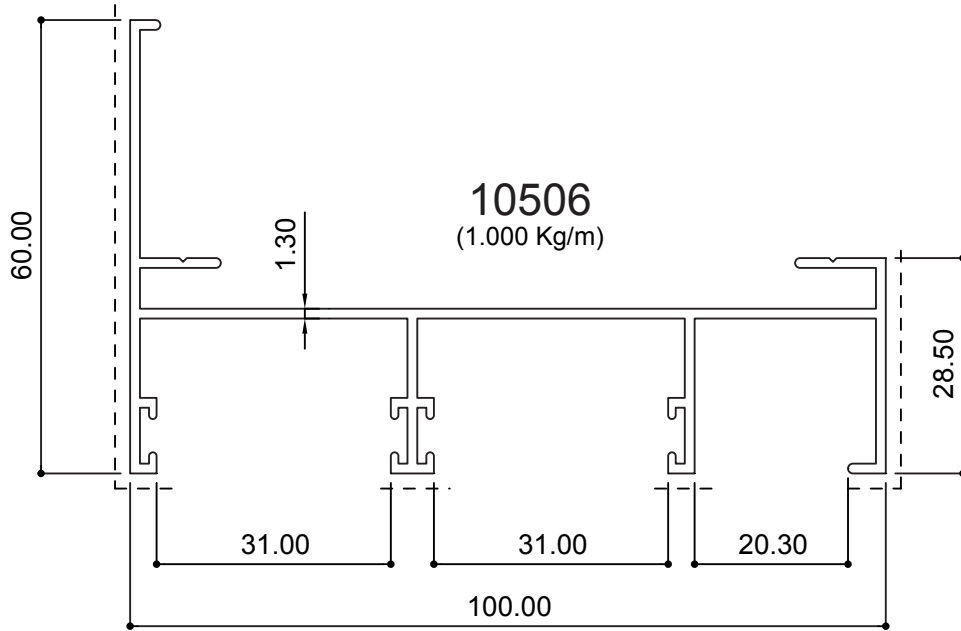
* For export, not recommended for GCC usage

Sliding Profiles



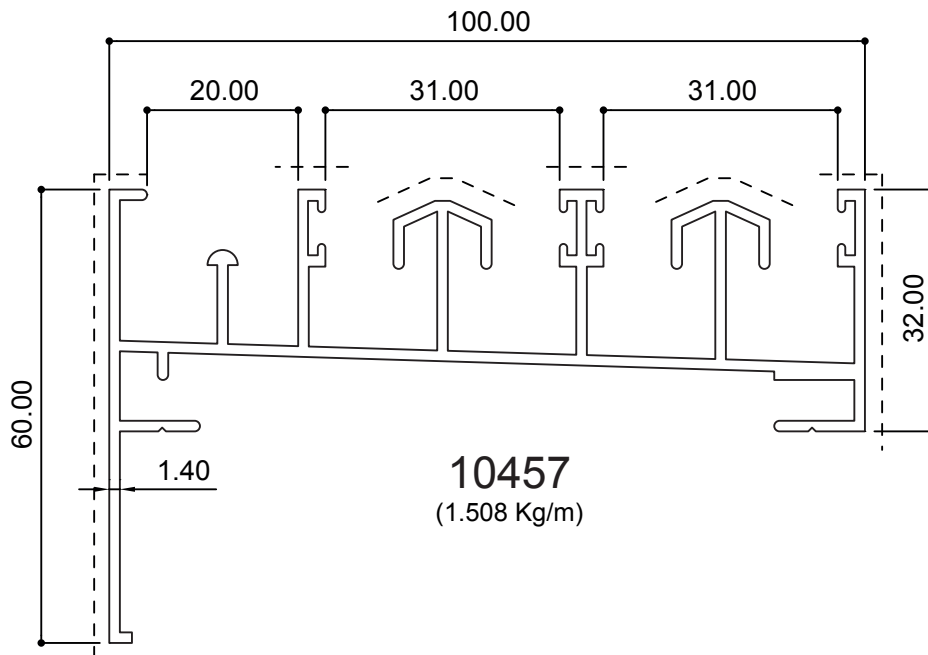
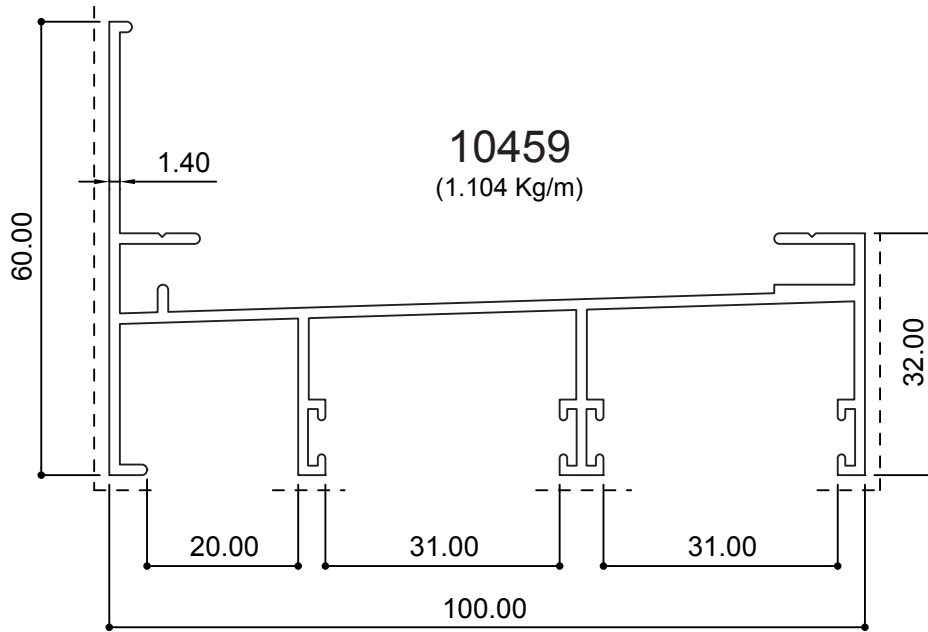
* For export, not recommended for GCC usage

Sliding Profiles



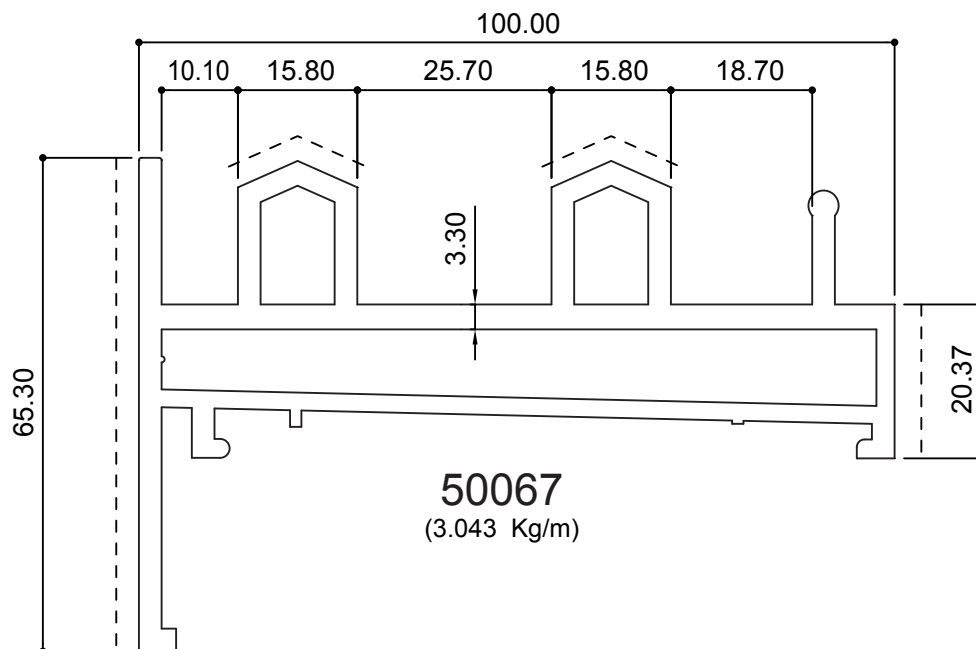
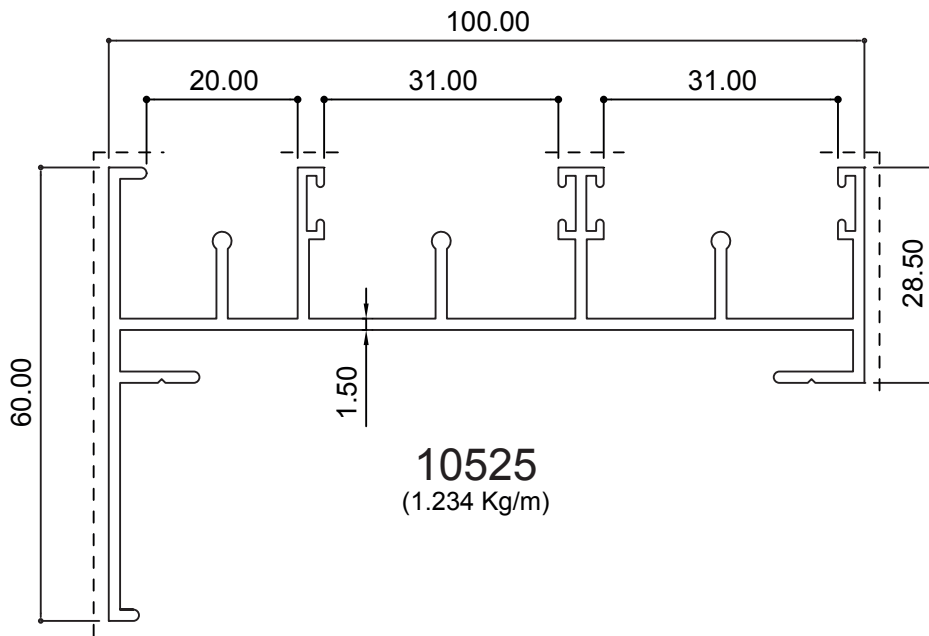
* For export, not recommended for GCC usage

Sliding Profiles



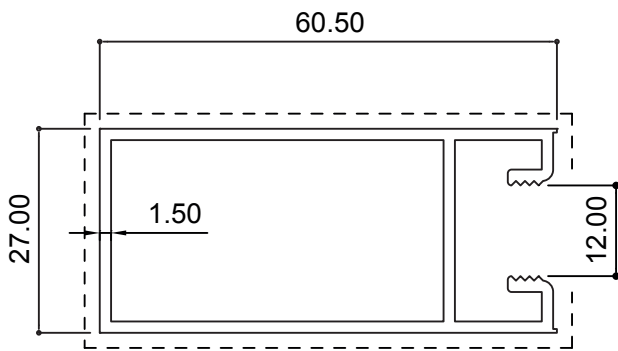
* For export, not recommended for GCC usage

Sliding Profiles

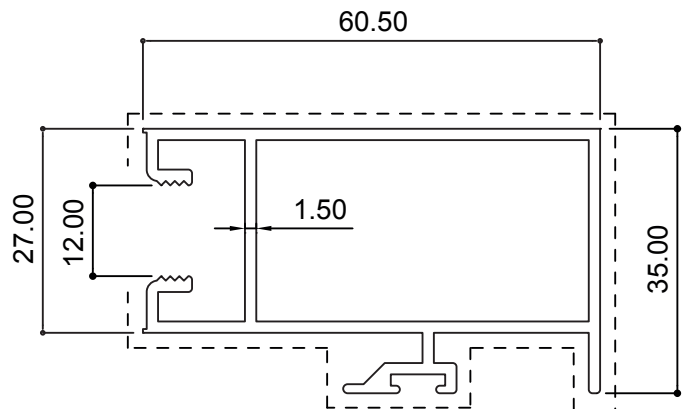


* For export, not recommended for GCC usage

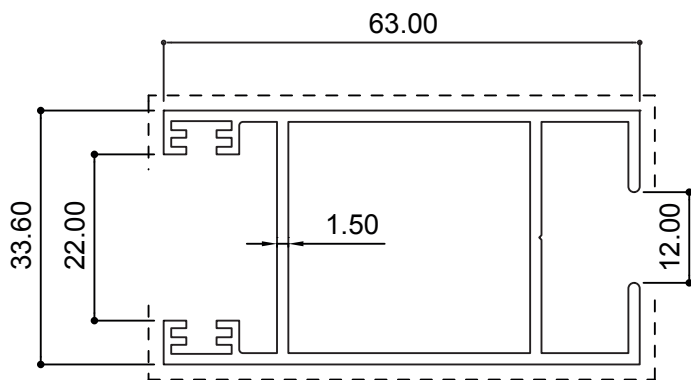
Sash & Interlock



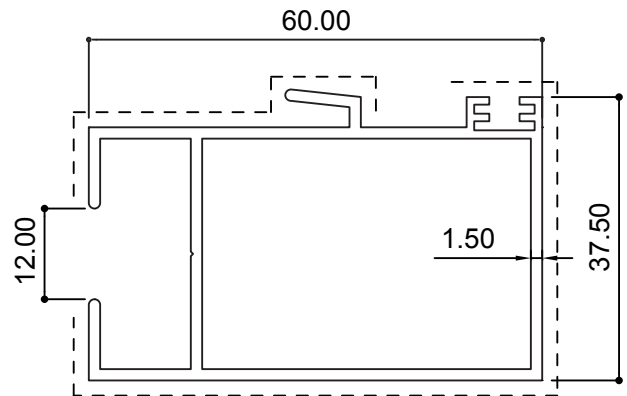
20314
(0.768 Kg/m)



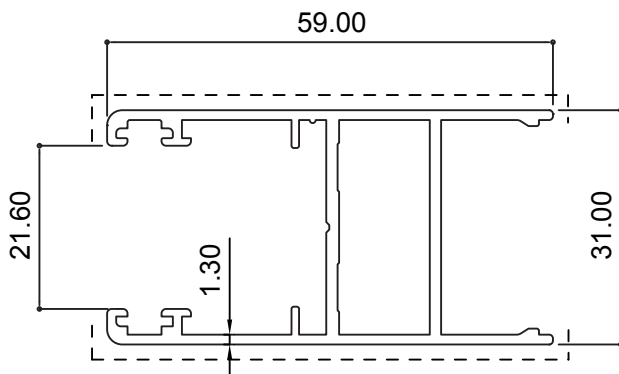
20316
(0.912 Kg/m)



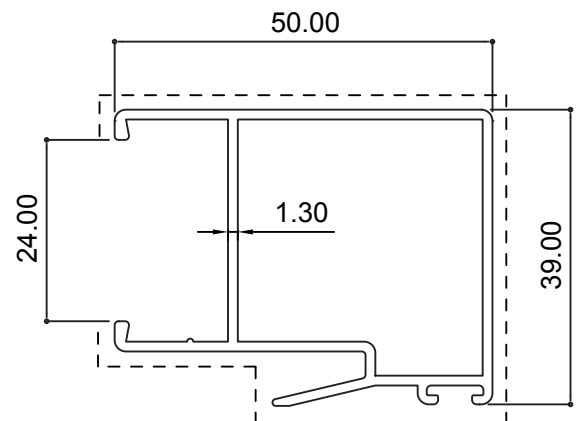
20591
(0.918 Kg/m)



20592
(0.892 Kg/m)



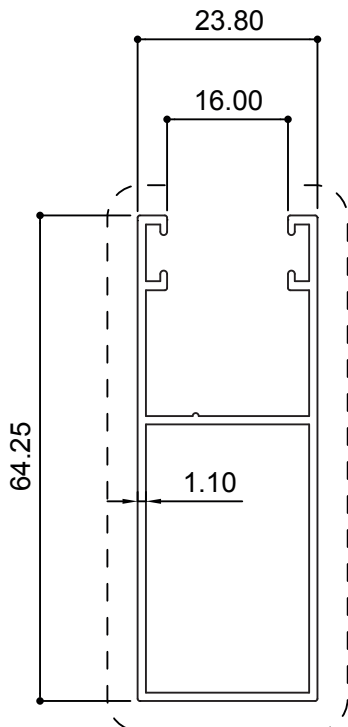
50002
(0.759 Kg/m)



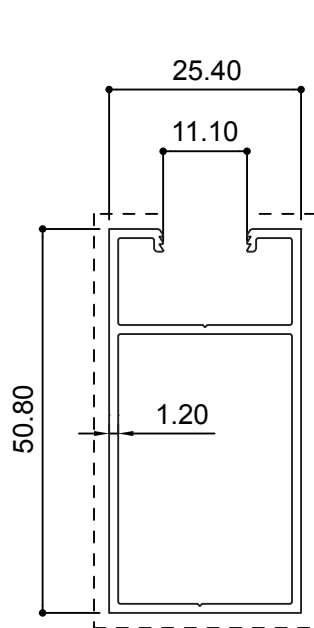
50004
(0.676 Kg/m)

* For export, not recommended for GCC usage

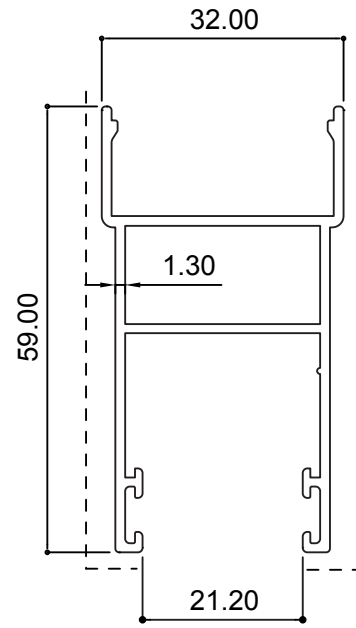
Sash & Interlock



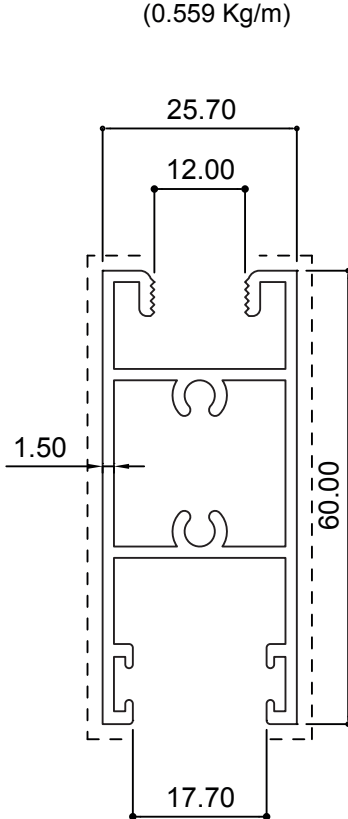
40040*
(0.559 Kg/m)



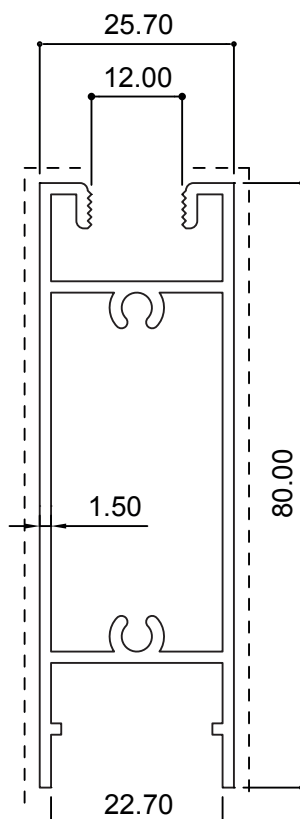
21896
(0.525 Kg/m)



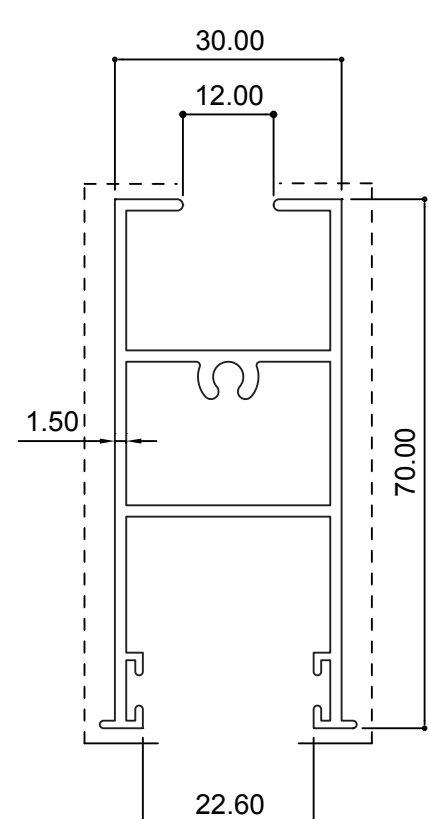
50003
(0.660 Kg/m)



20315
(0.930 Kg/m)



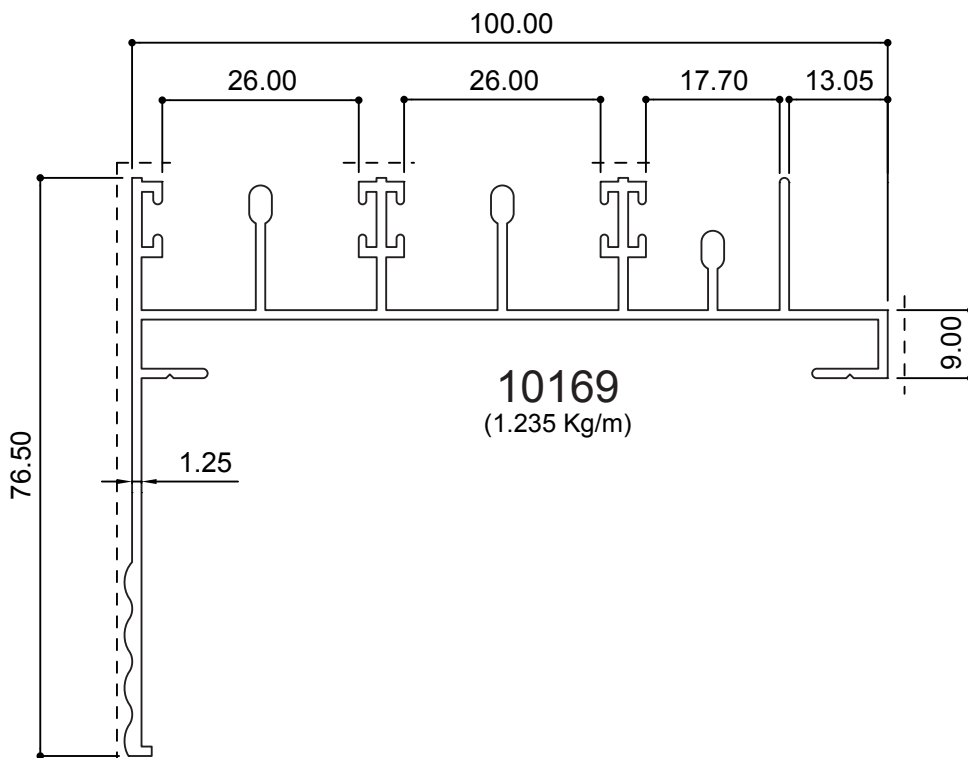
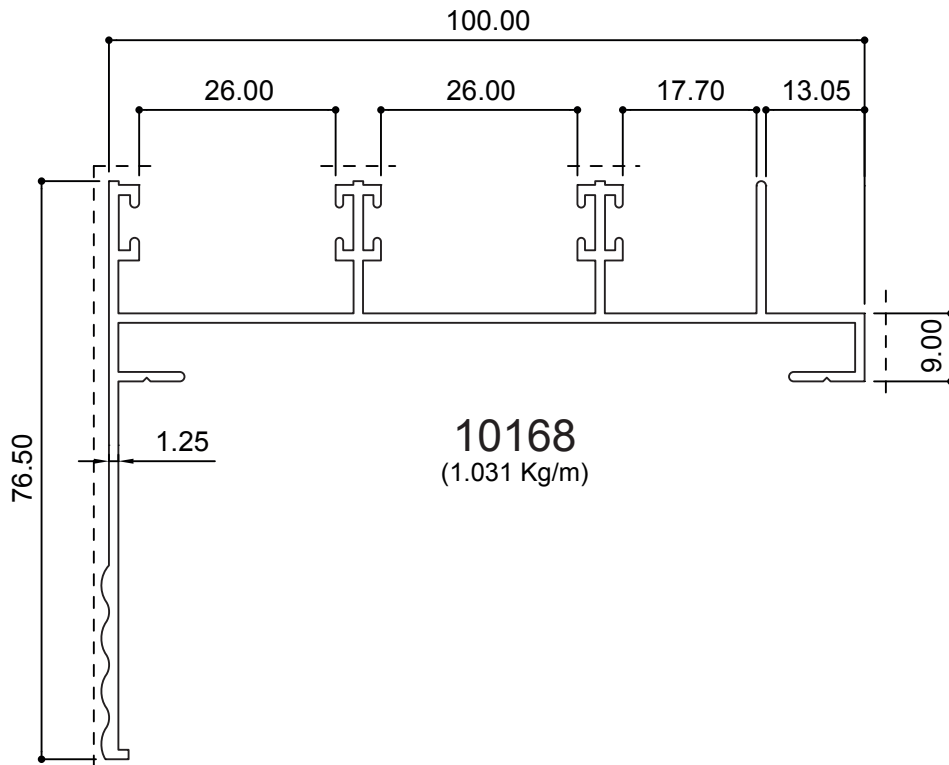
20296
(1.040 Kg/m)



20590
(0.956 Kg/m)

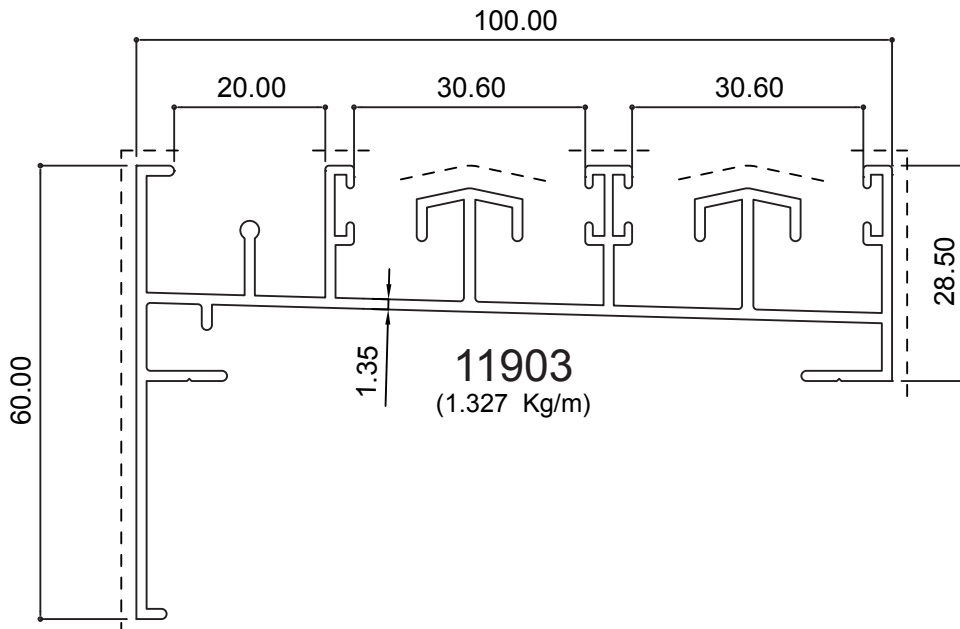
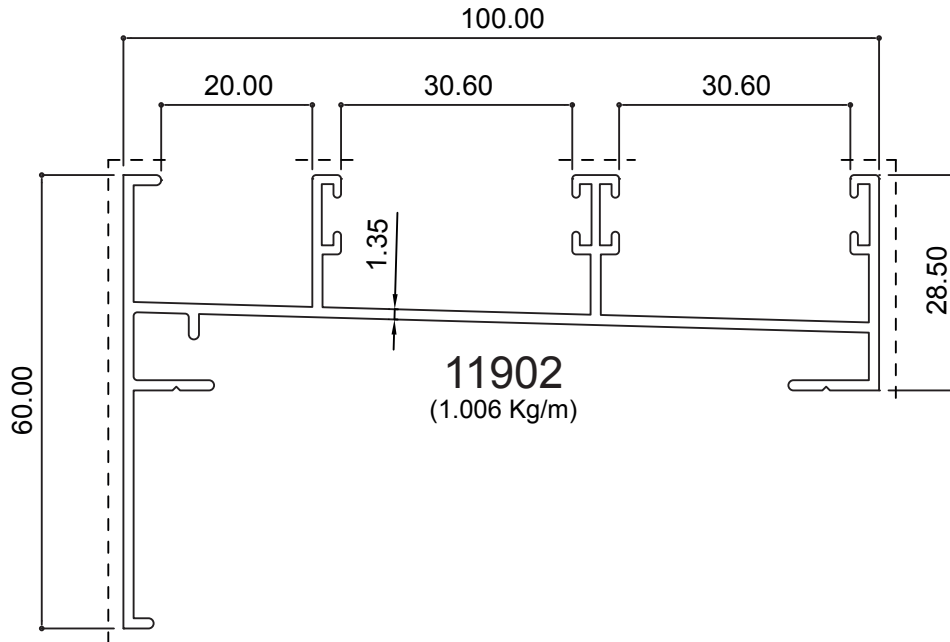
* For export, not recommended for GCC usage

Sliding Profiles



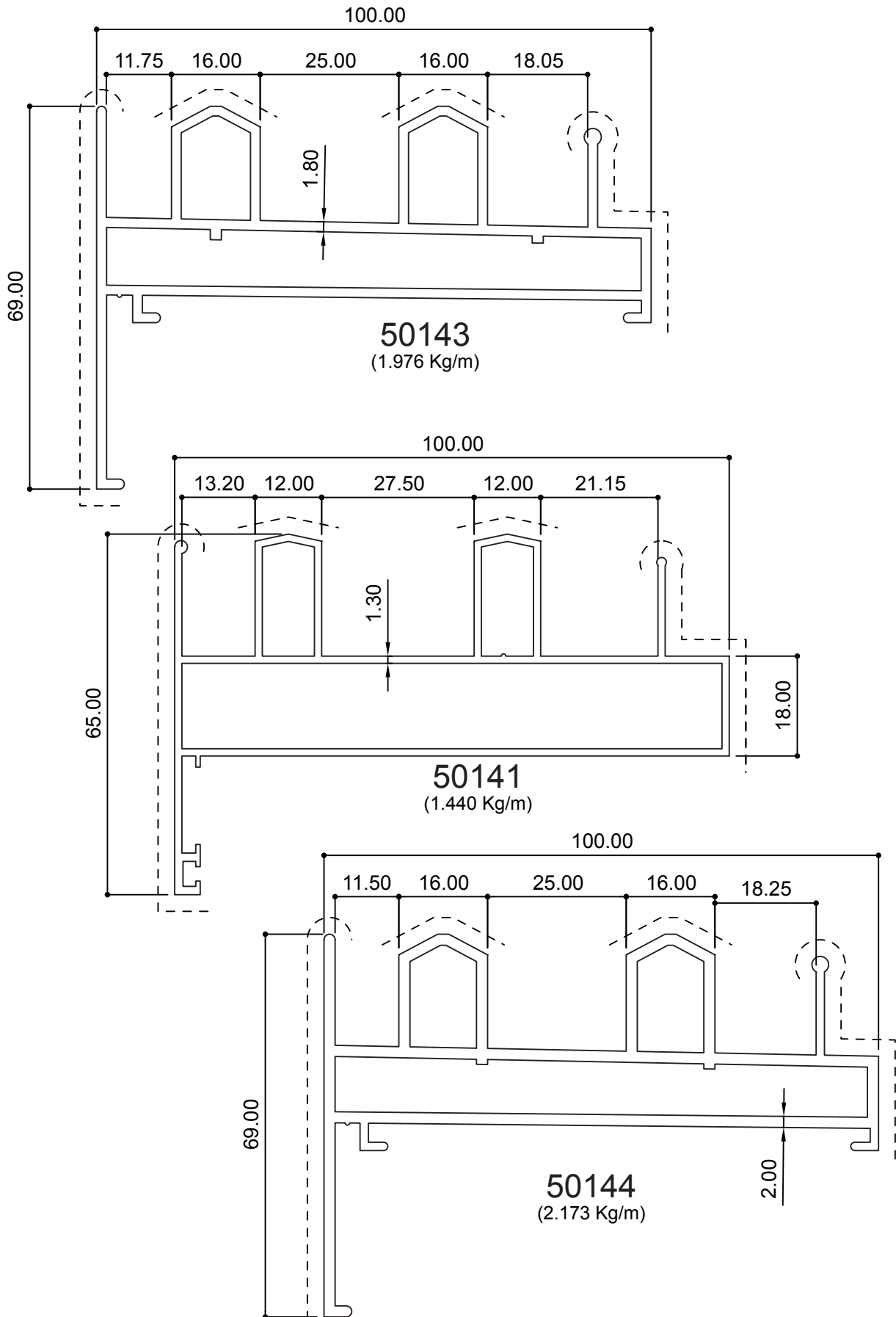
* For export, not recommended for GCC usage

Sliding Profiles



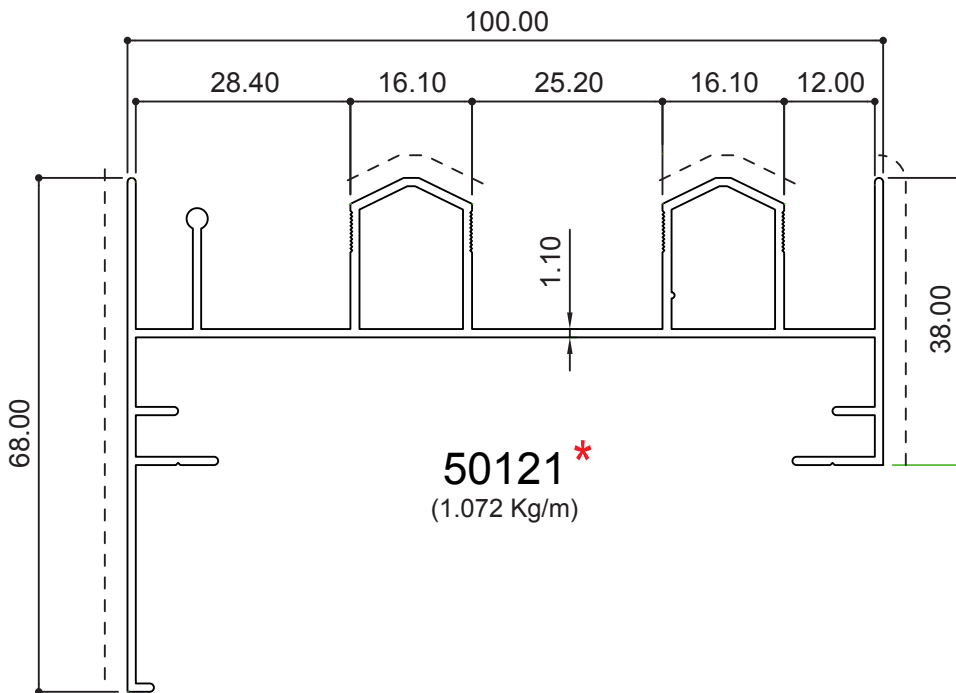
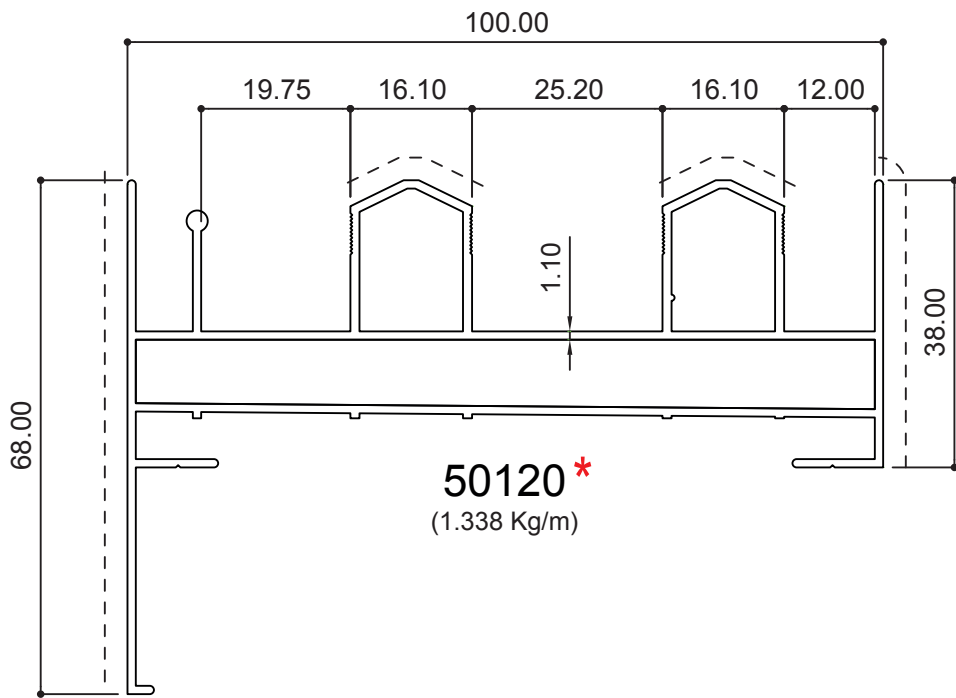
* For export, not recommended for GCC usage

Sliding Profiles



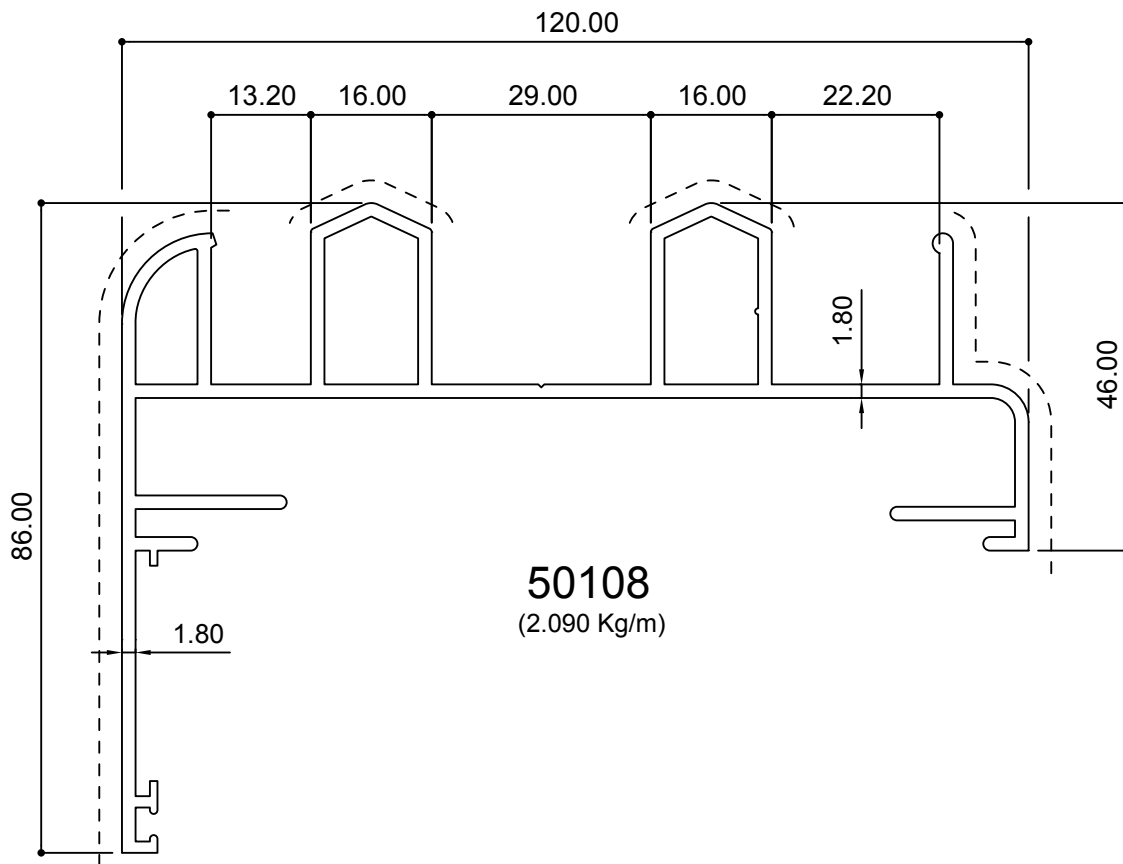
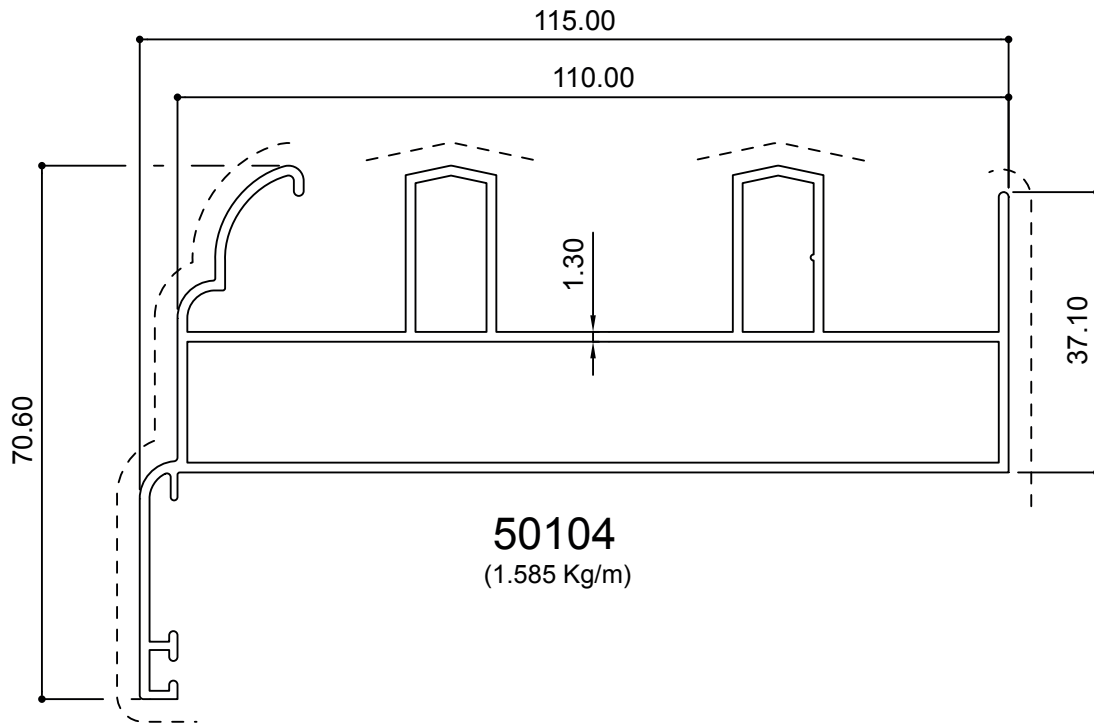
* For export, not recommended for GCC usage

Sliding Profiles



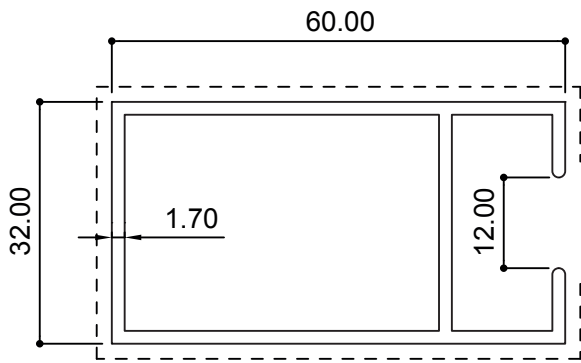
* For export, not recommended for GCC usage

Sliding Profiles

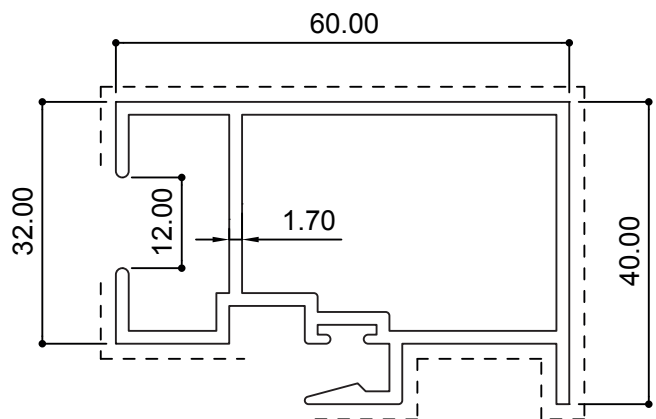


* For export, not recommended for GCC usage

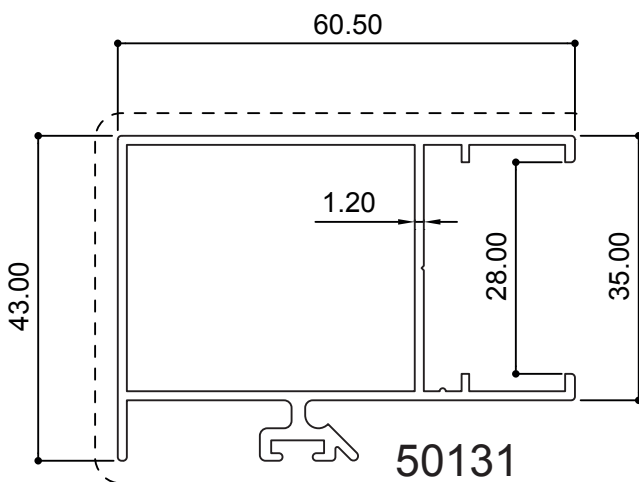
Sash & Interlock



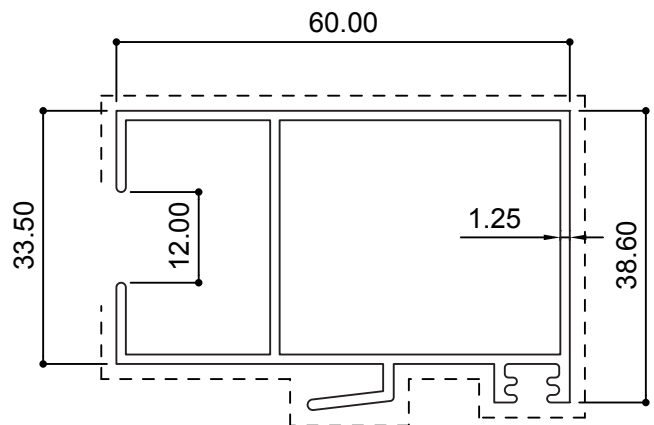
20071
(0.889 Kg/m)



20070
(1.060 Kg/m)



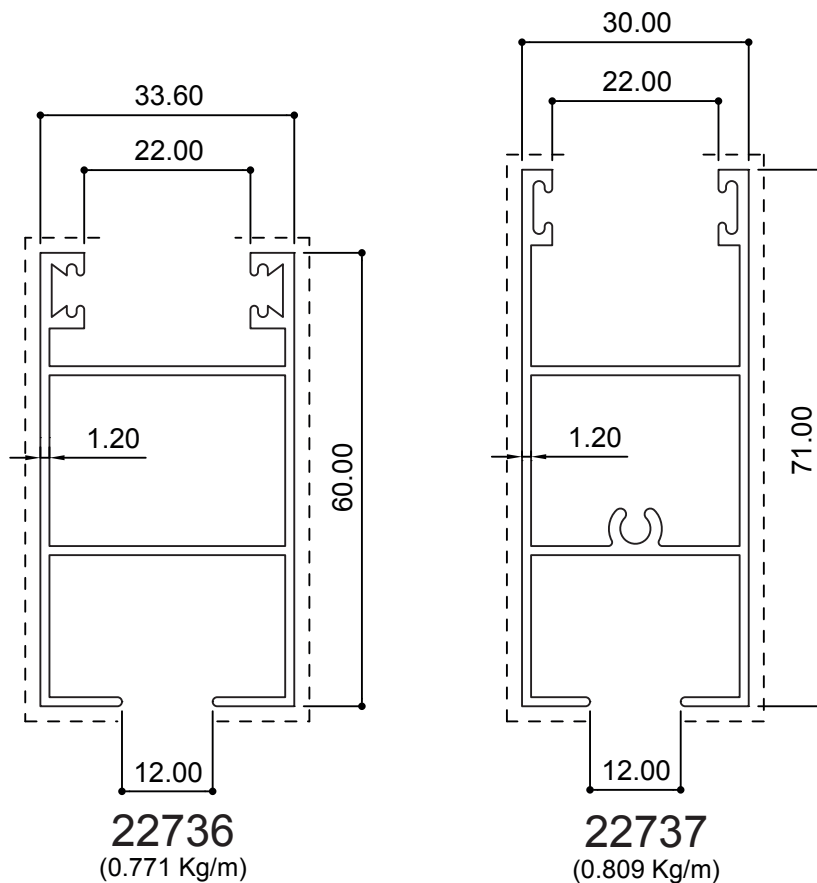
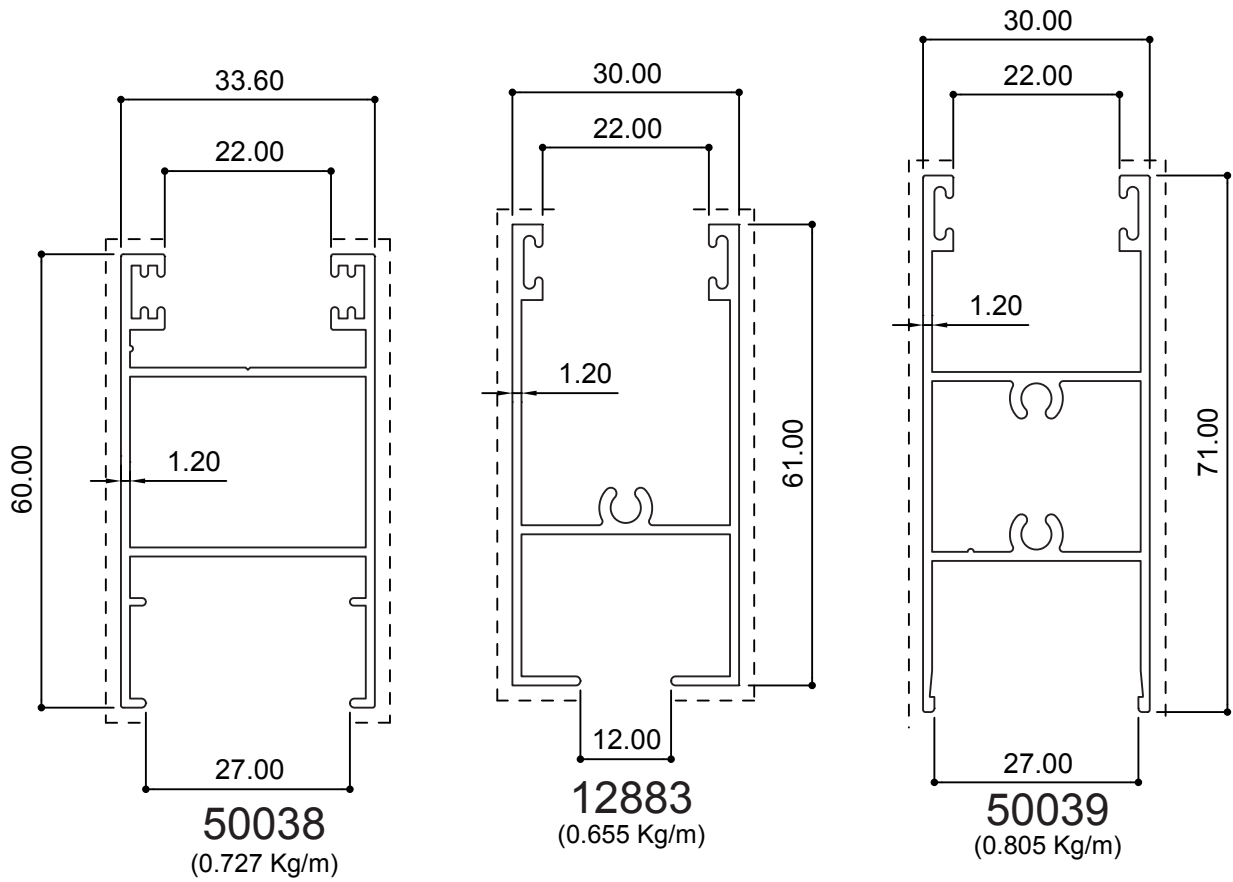
50131
(0.763 Kg/m)



22738
(0.790 Kg/m)

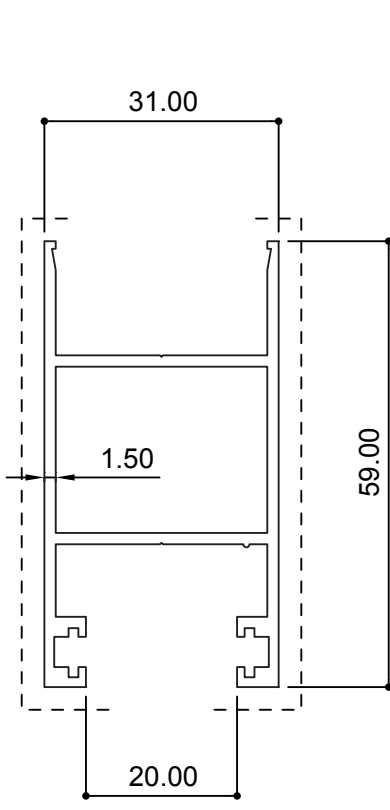
* For export, not recommended for GCC usage

Sash & Interlock

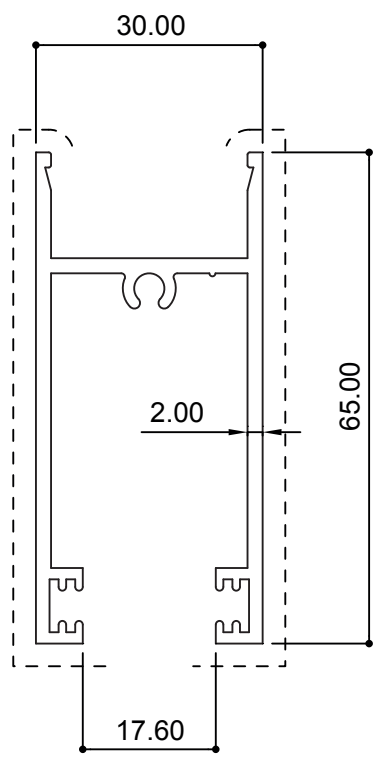


* For export, not recommended for GCC usage

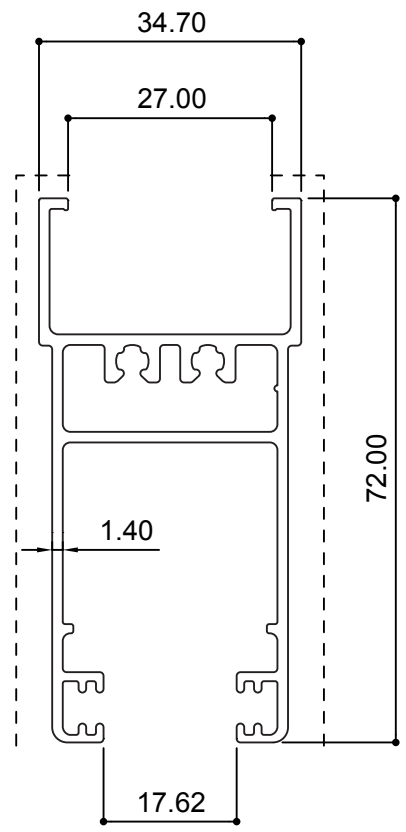
Sash & Interlock



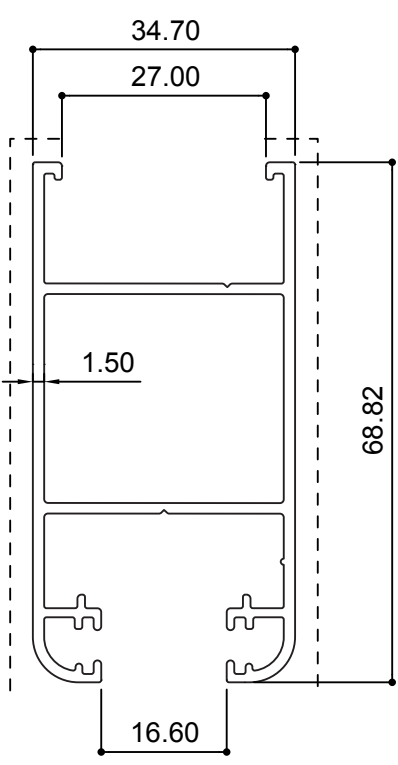
50133
(0.794 Kg/m)



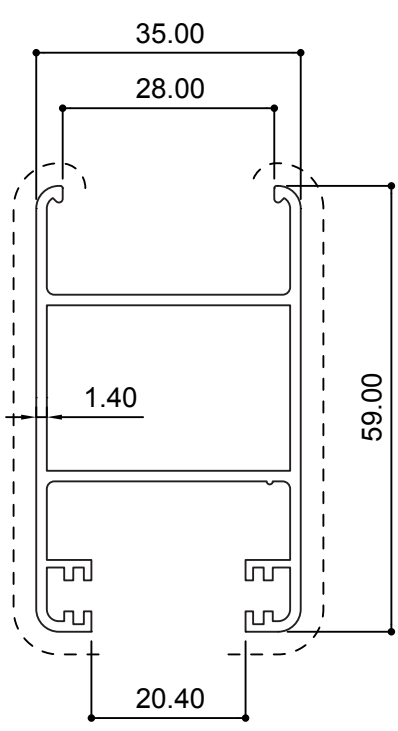
55063
(0.968 Kg/m)



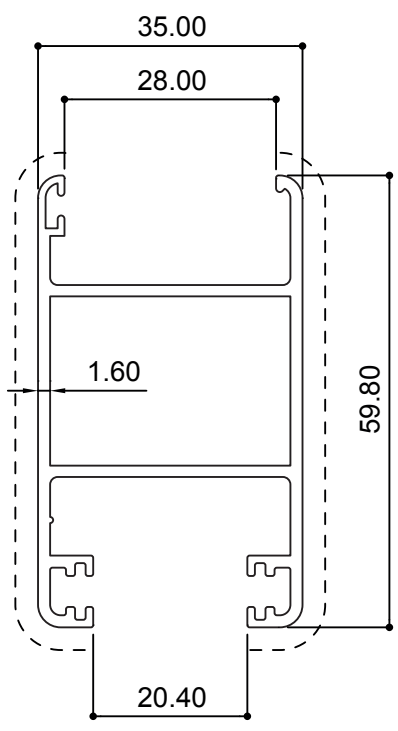
27238
(1.009 Kg/m)



27239
(0.946 Kg/m)



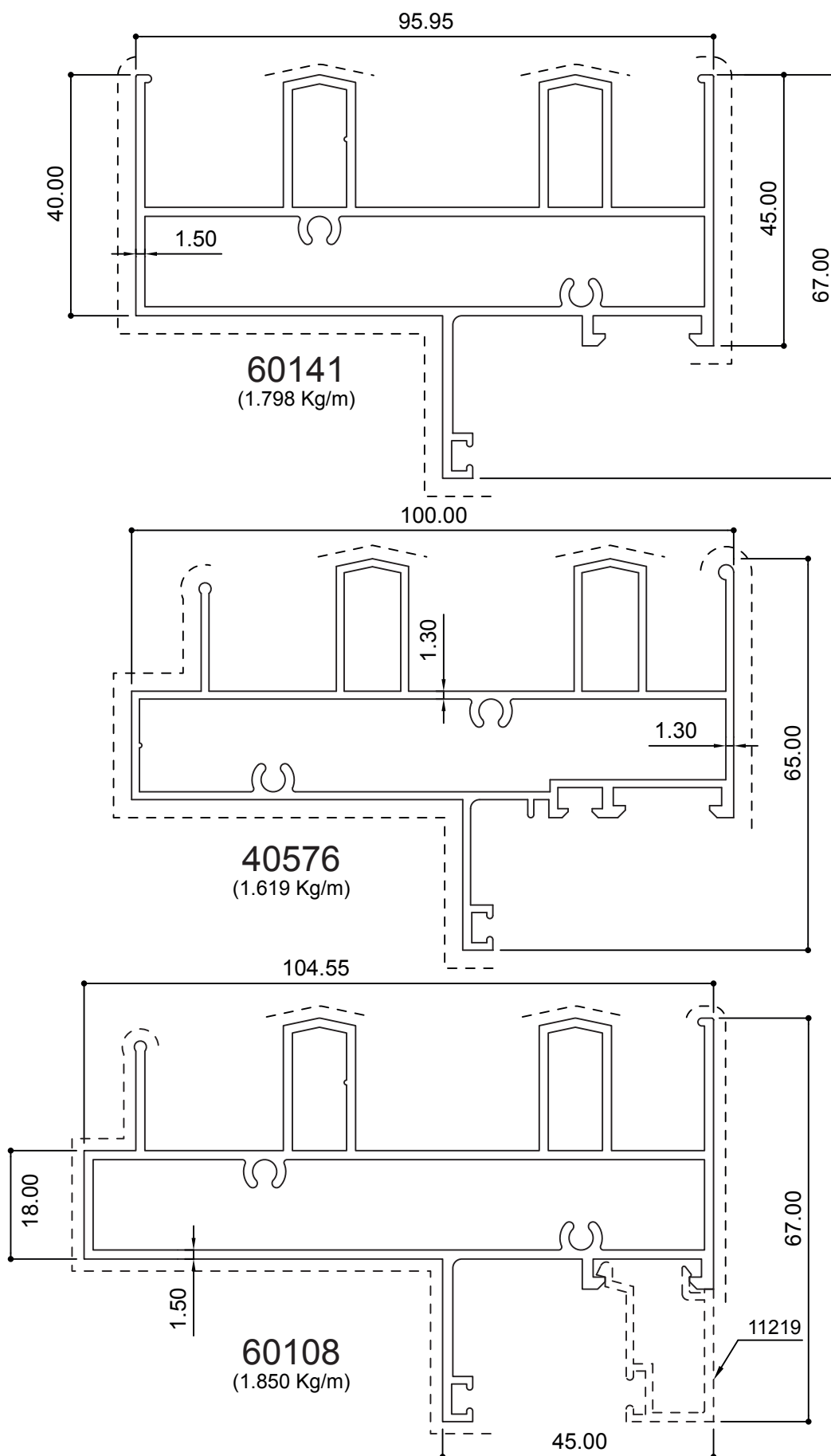
50086
(0.806 Kg/m)



50092
(0.895 Kg/m)

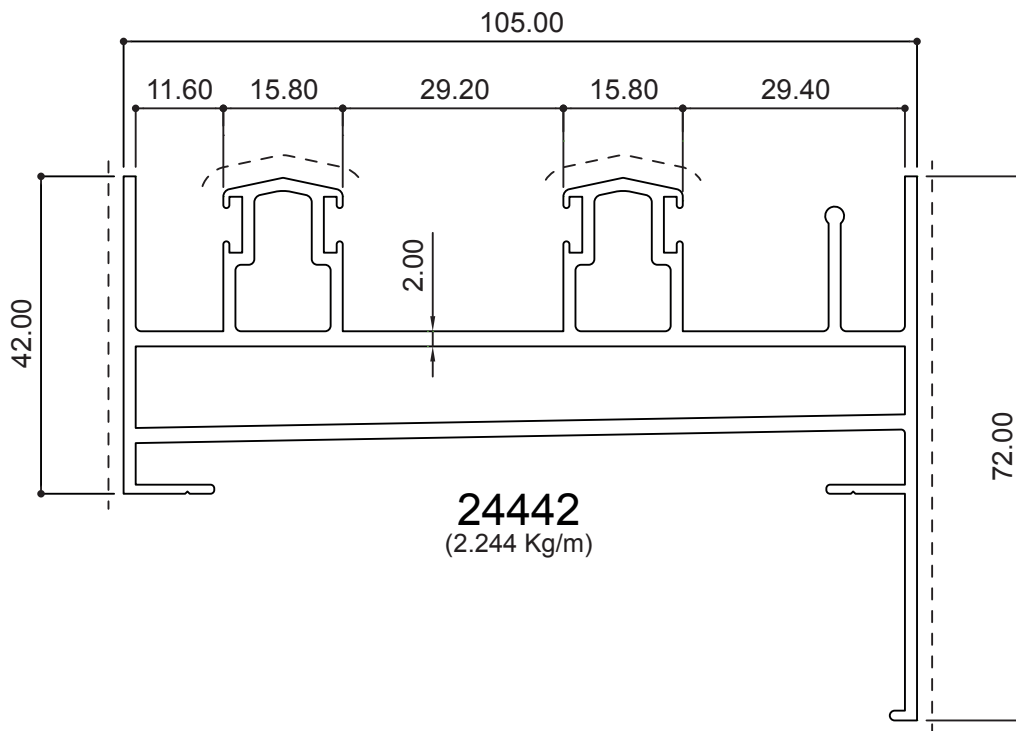
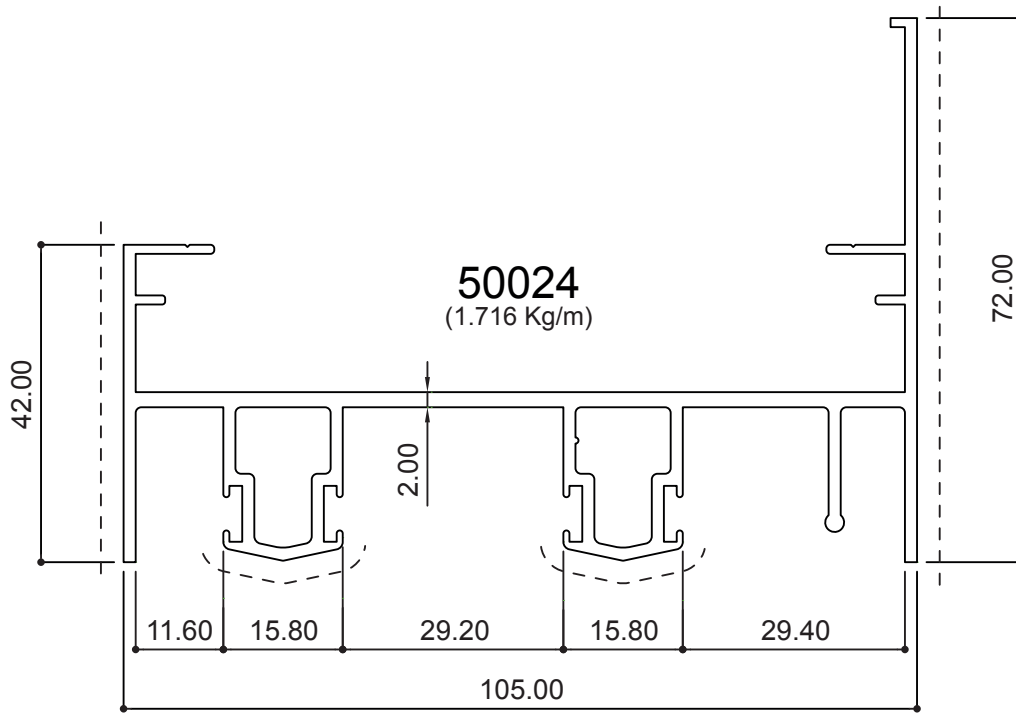
* For export, not recommended for GCC usage

Sliding Profiles



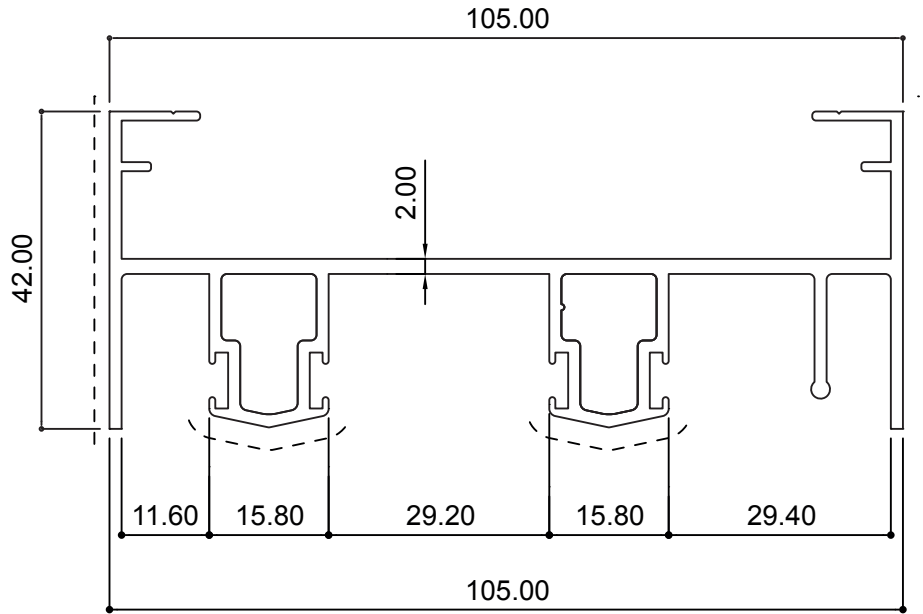
* For export, not recommended for GCC usage

Sliding Profiles

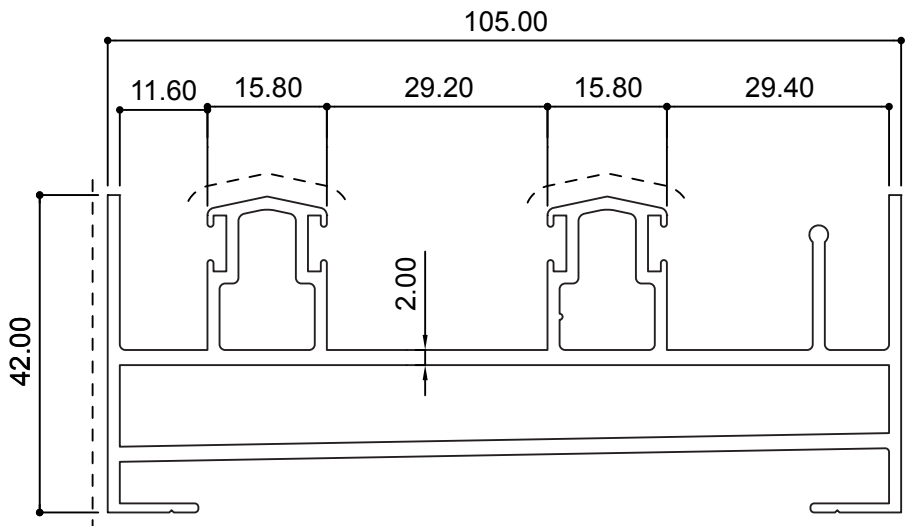


* For export, not recommended for GCC usage

Sliding Profiles



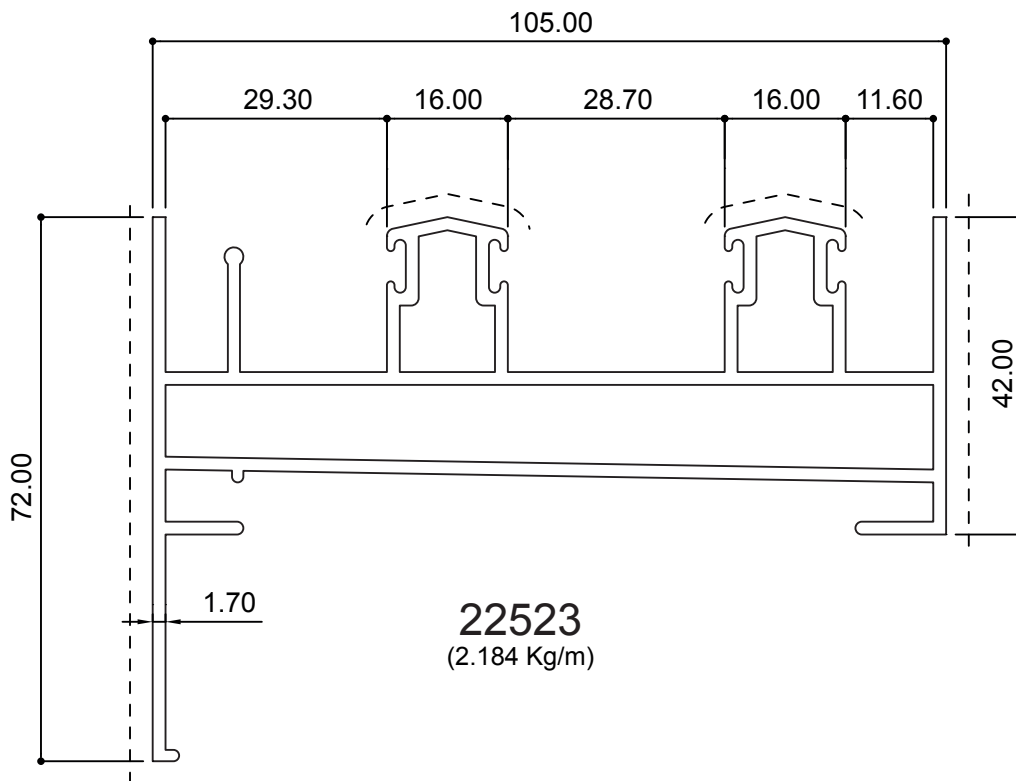
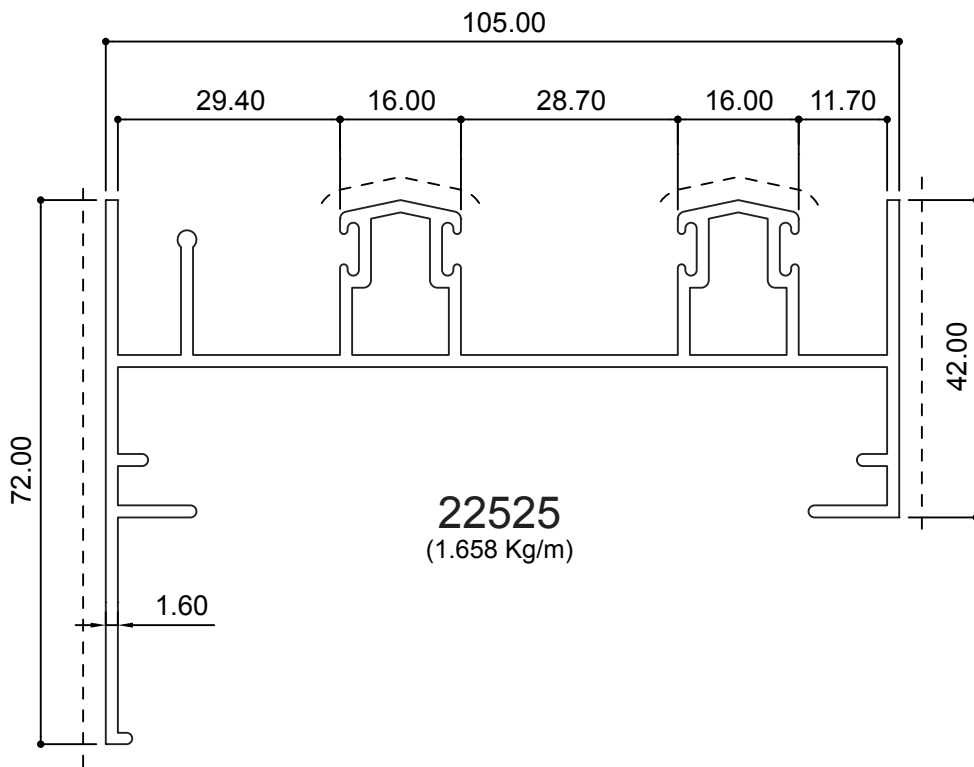
50025
(1.580 Kg/m)



50026
(2.105 Kg/m)

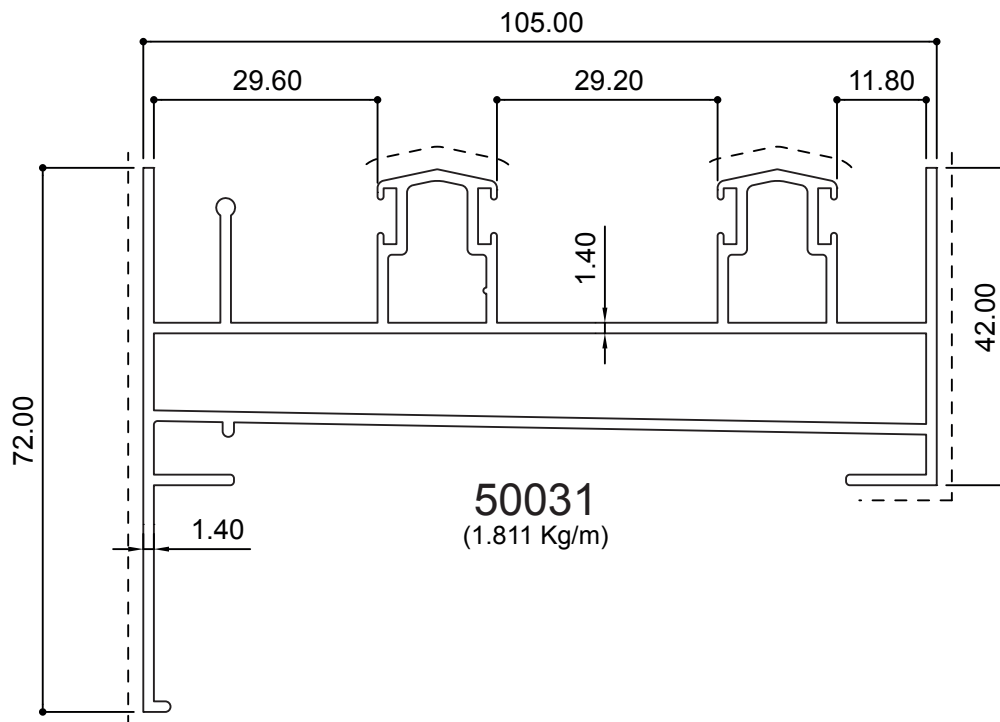
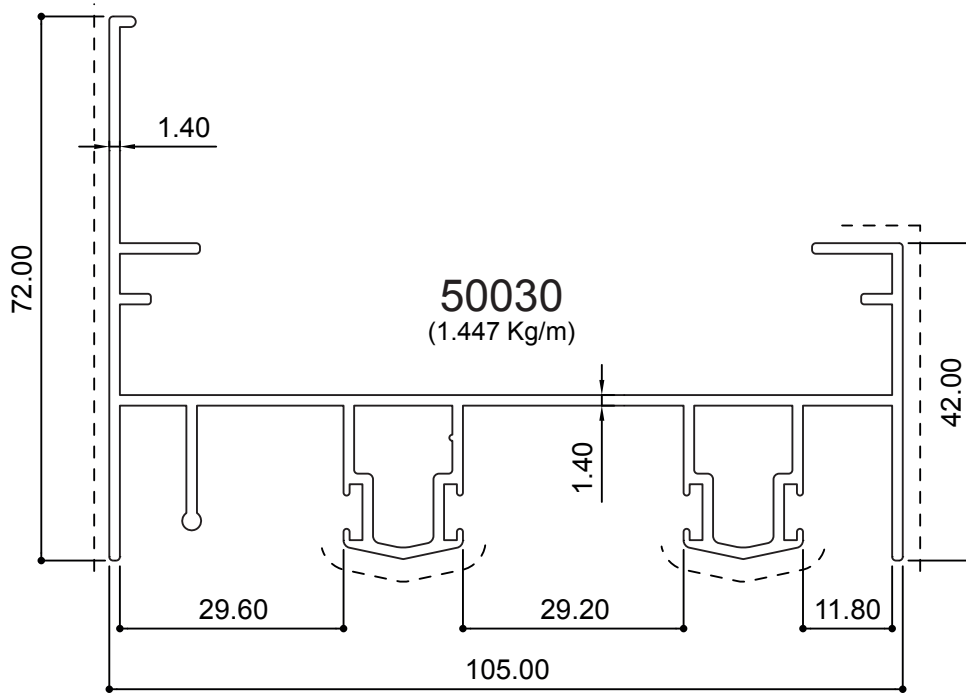
* For export, not recommended for GCC usage

Sliding Profiles



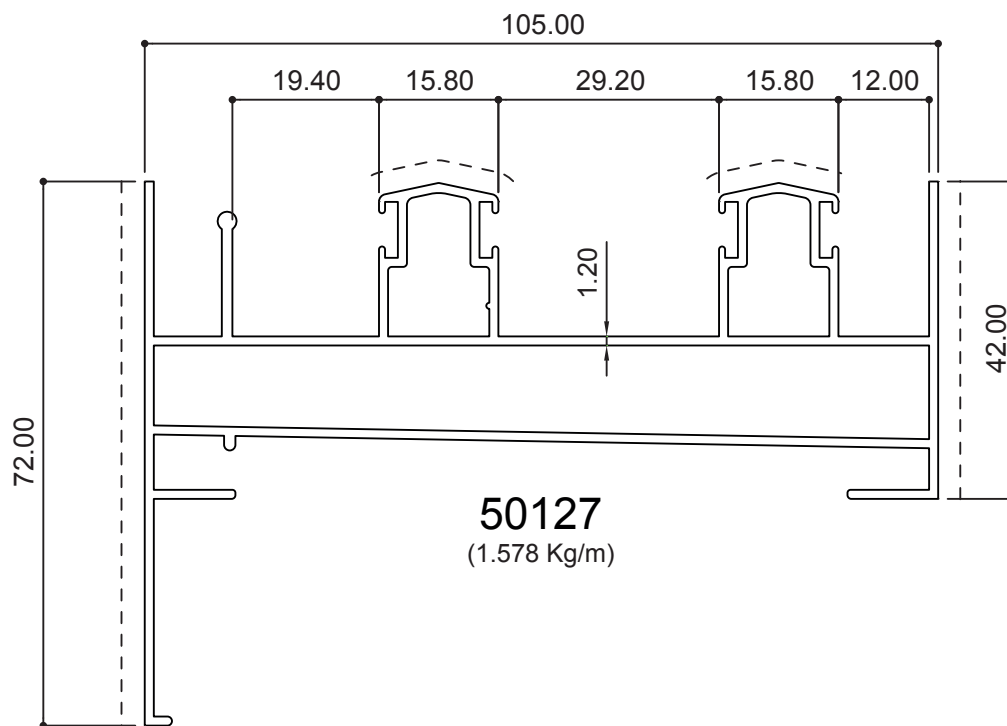
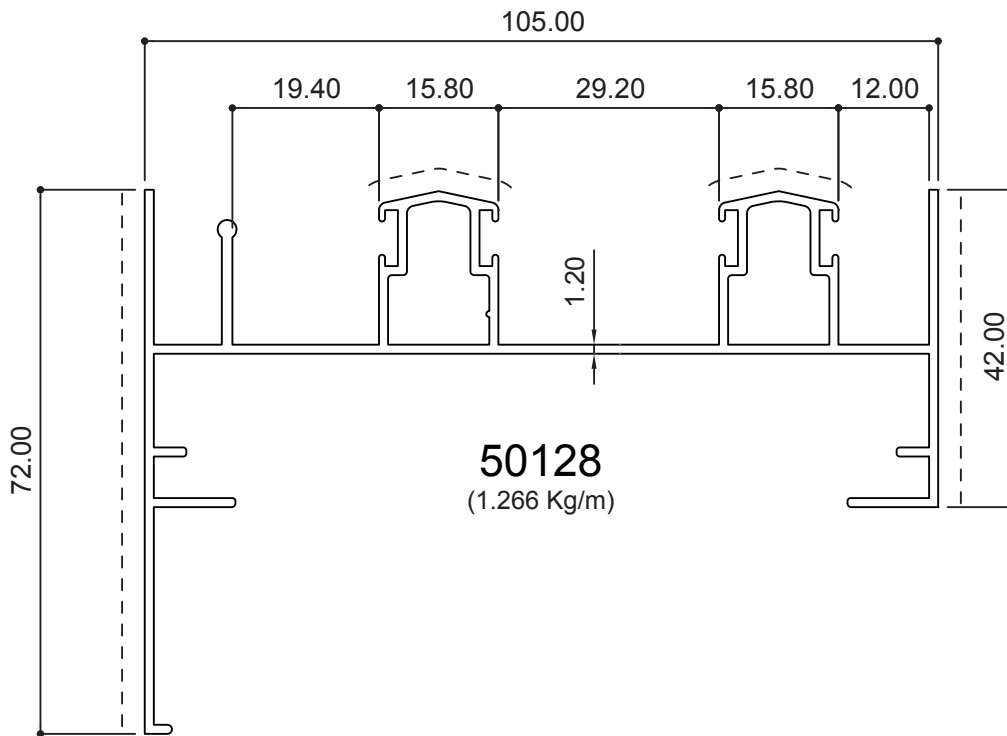
* For export, not recommended for GCC usage

Sliding Profiles



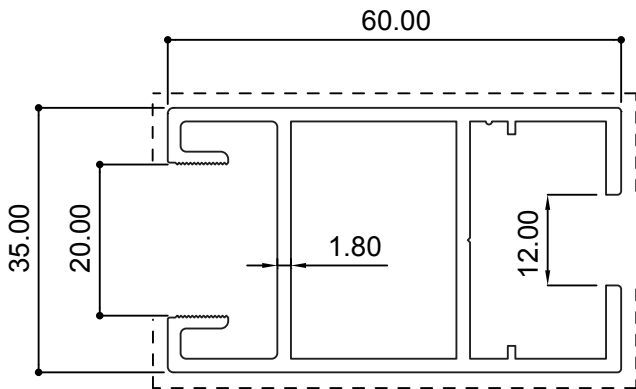
* For export, not recommended for GCC usage

Sliding Profiles

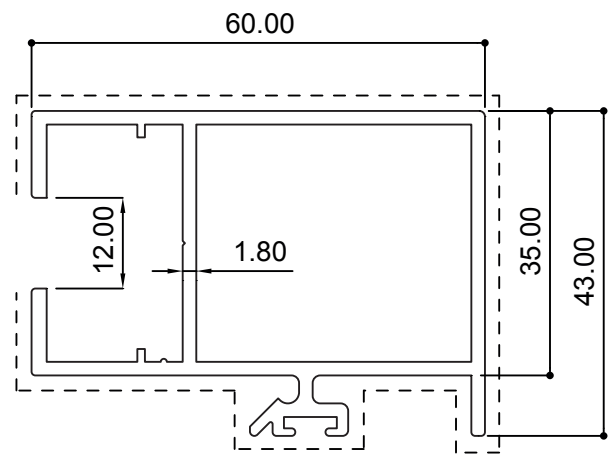


* For export, not recommended for GCC usage

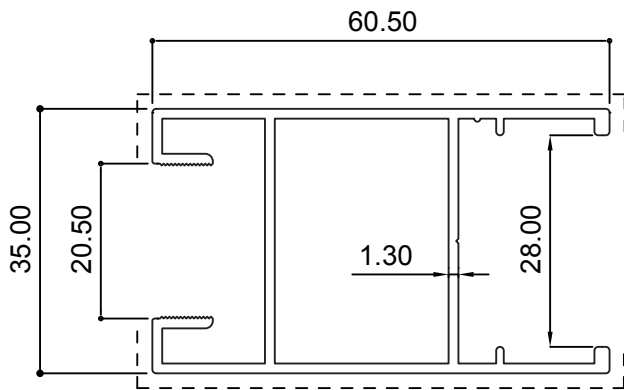
Sash & Interlock



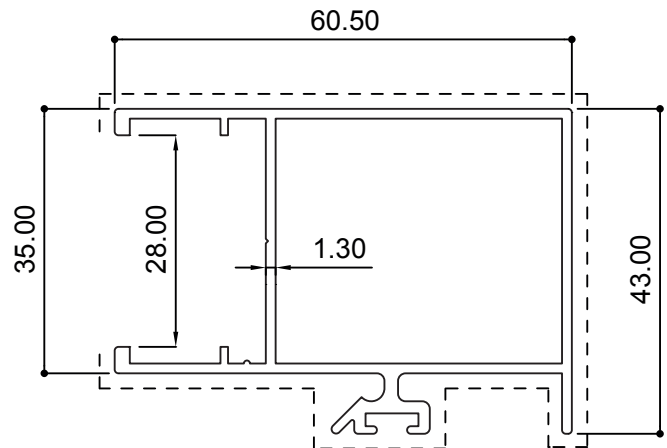
50027
(1.106 Kg/m)



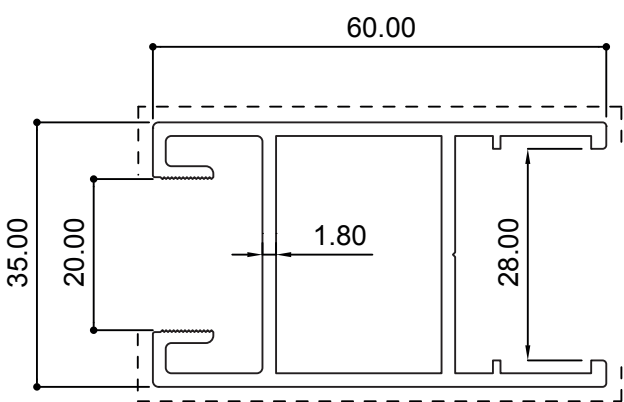
50028
(1.154Kg/m)



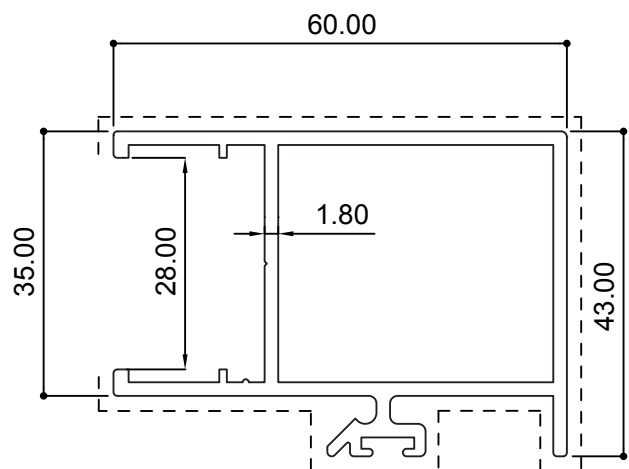
50034
(0.779 Kg/m)



50036
(0.822 Kg/m)



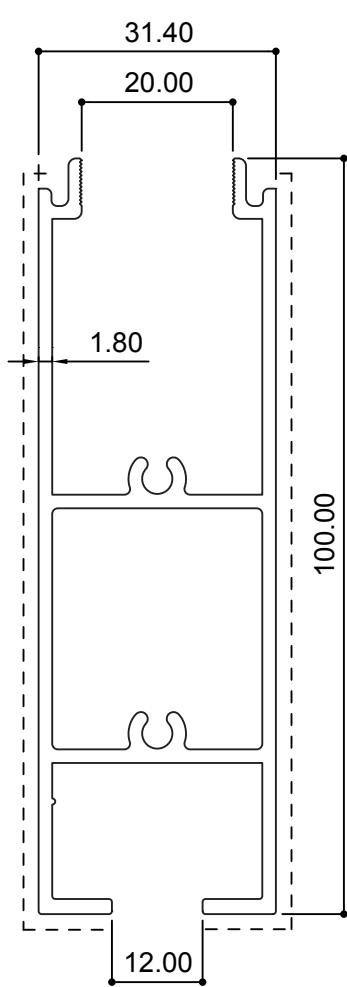
24443
(1.019 Kg/m)



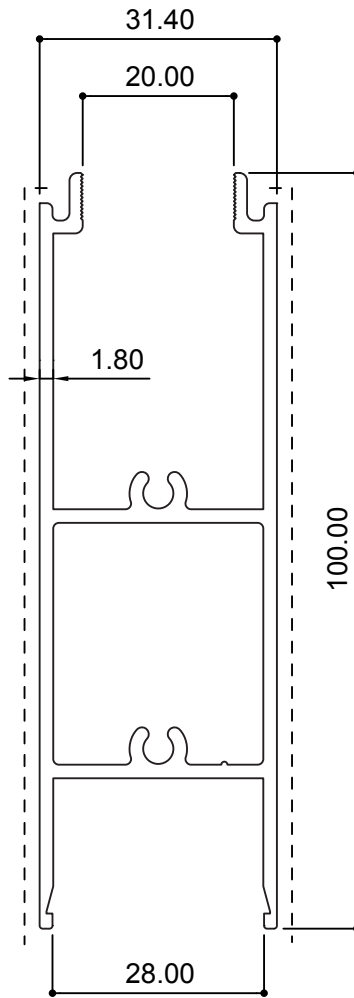
24444
(1.067 Kg/m)

* For export, not recommended for GCC usage

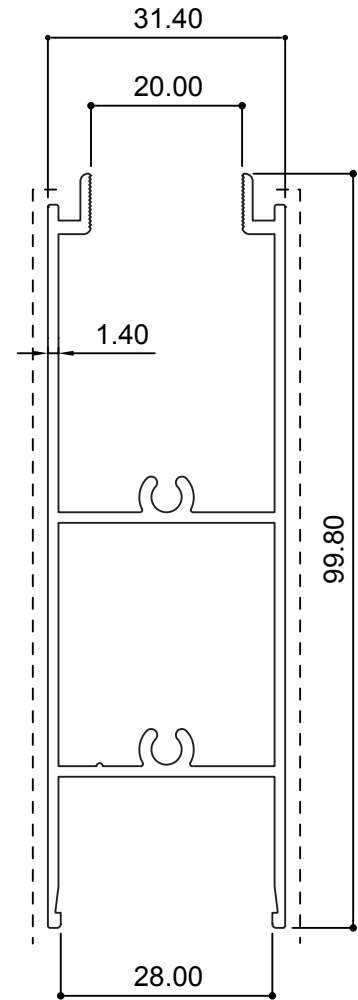
Sash & Interlock



50029
(1.485 Kg/m)



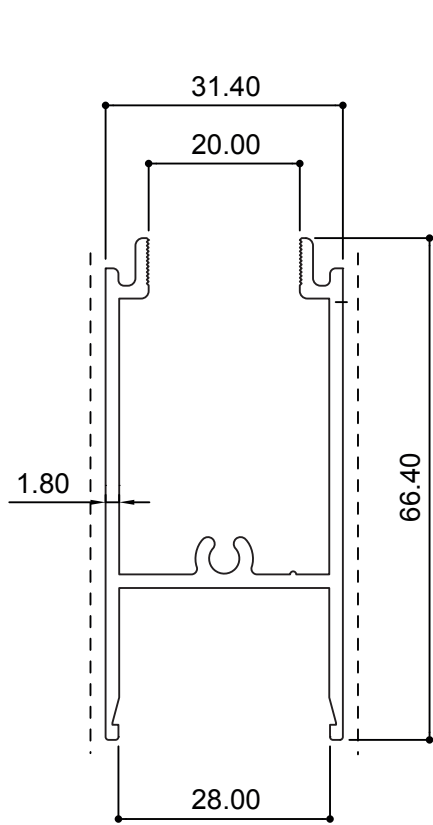
24446
(1.388 Kg/m)



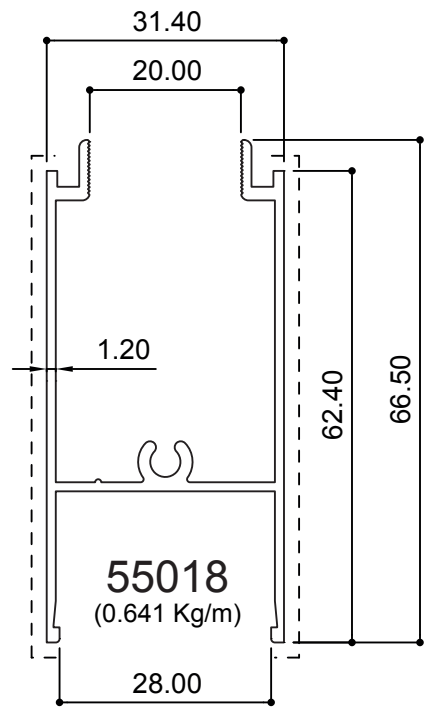
50035
(1.111 Kg/m)

* For export, not recommended for GCC usage

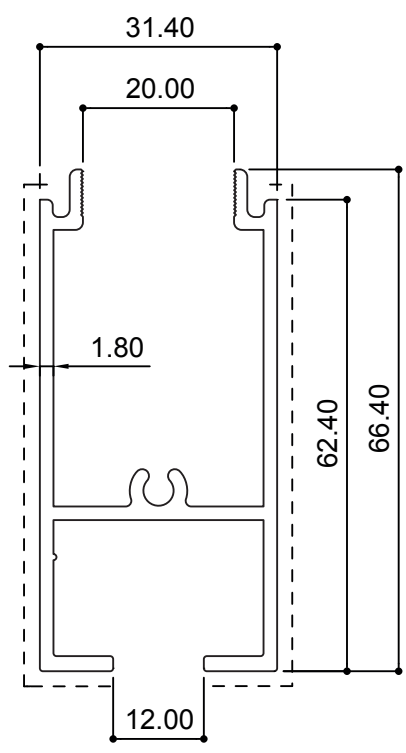
Sash & Interlock



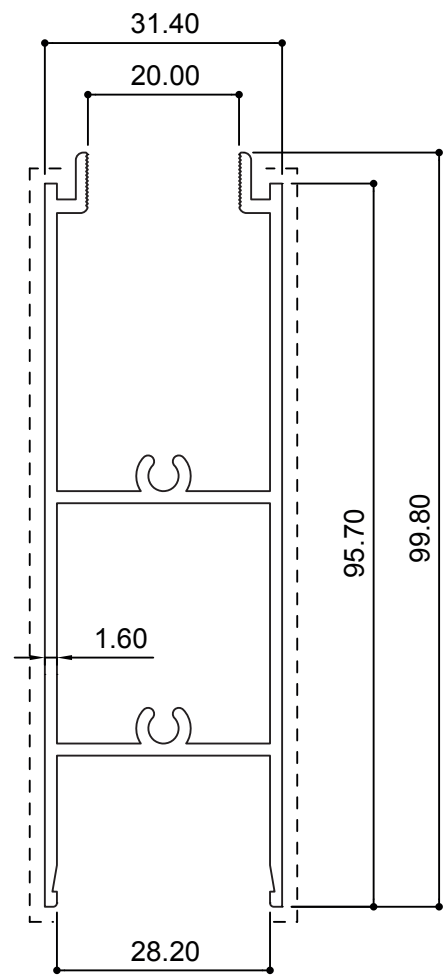
14267
(0.872 Kg/m)



55018
(0.641 Kg/m)



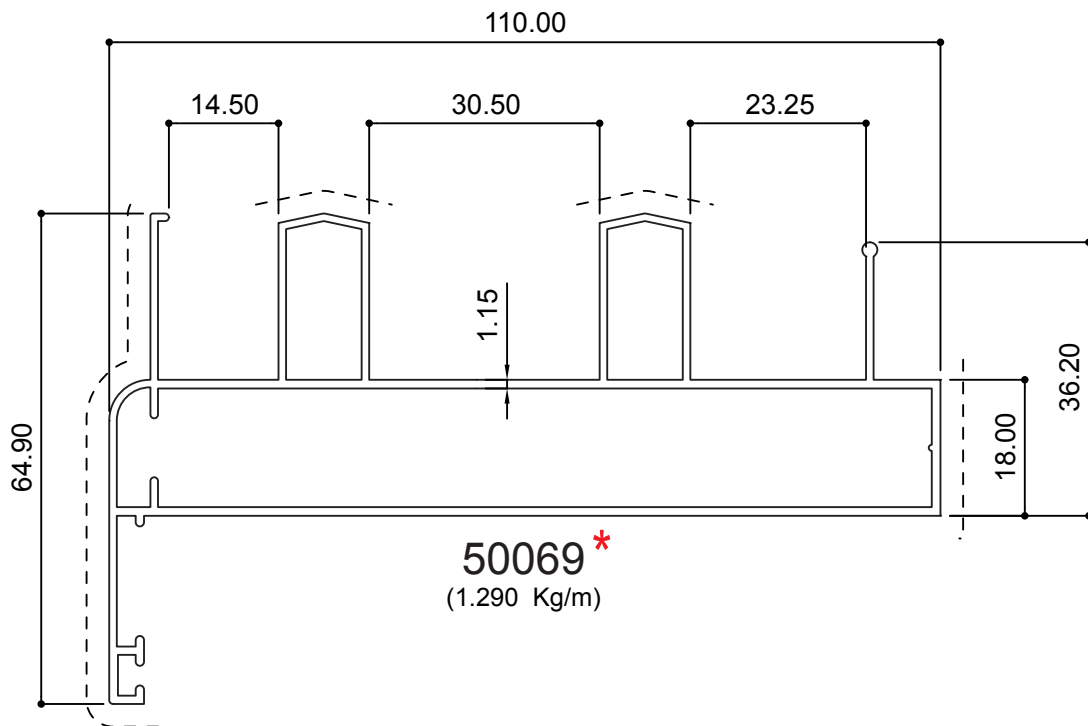
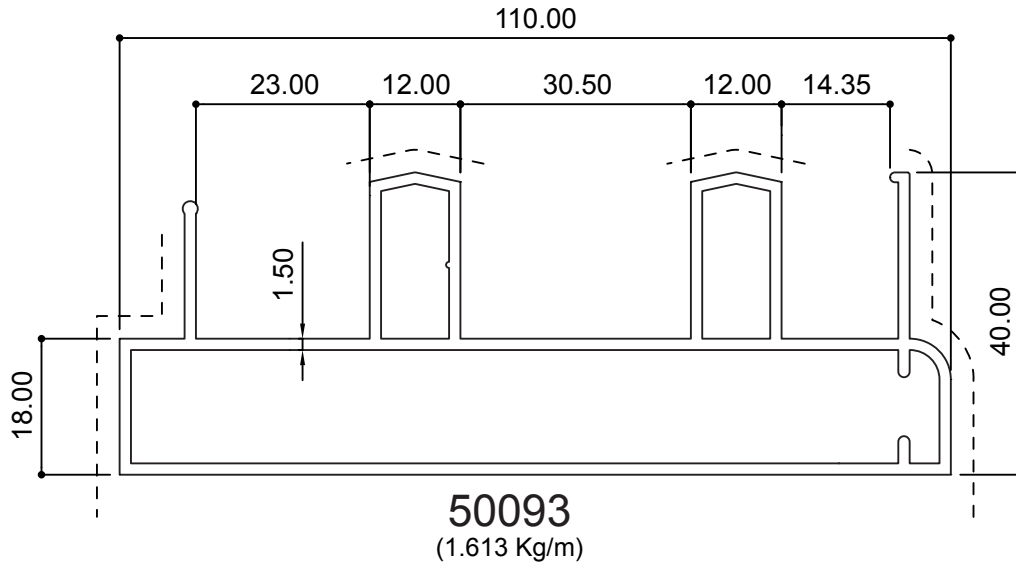
55011
(0.969 Kg/m)



22529
(1.238 Kg/m)

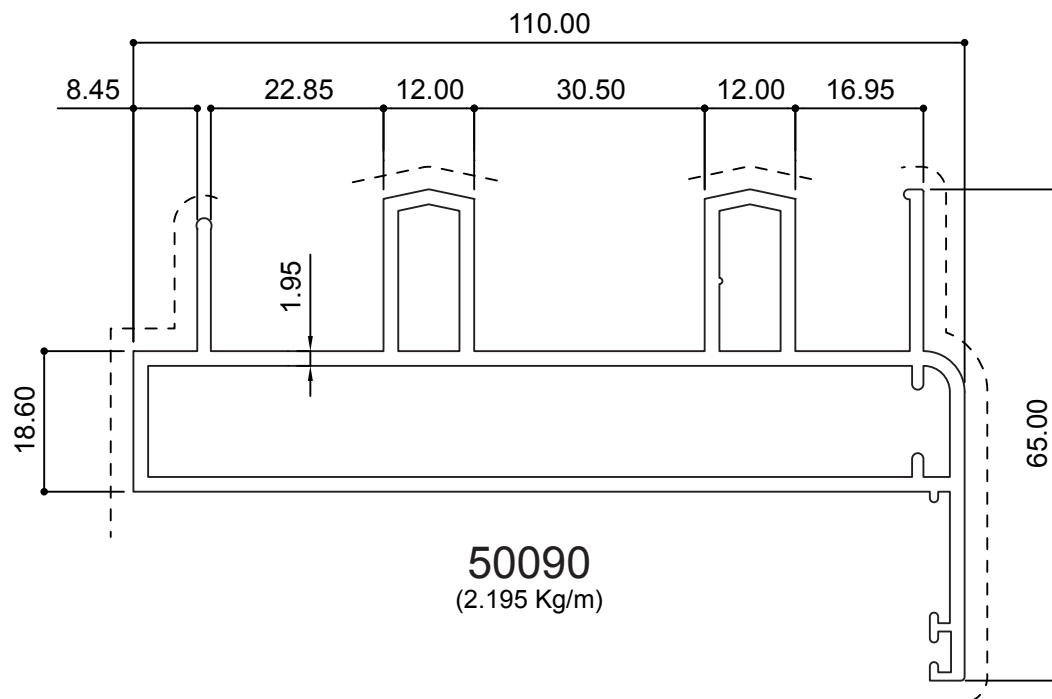
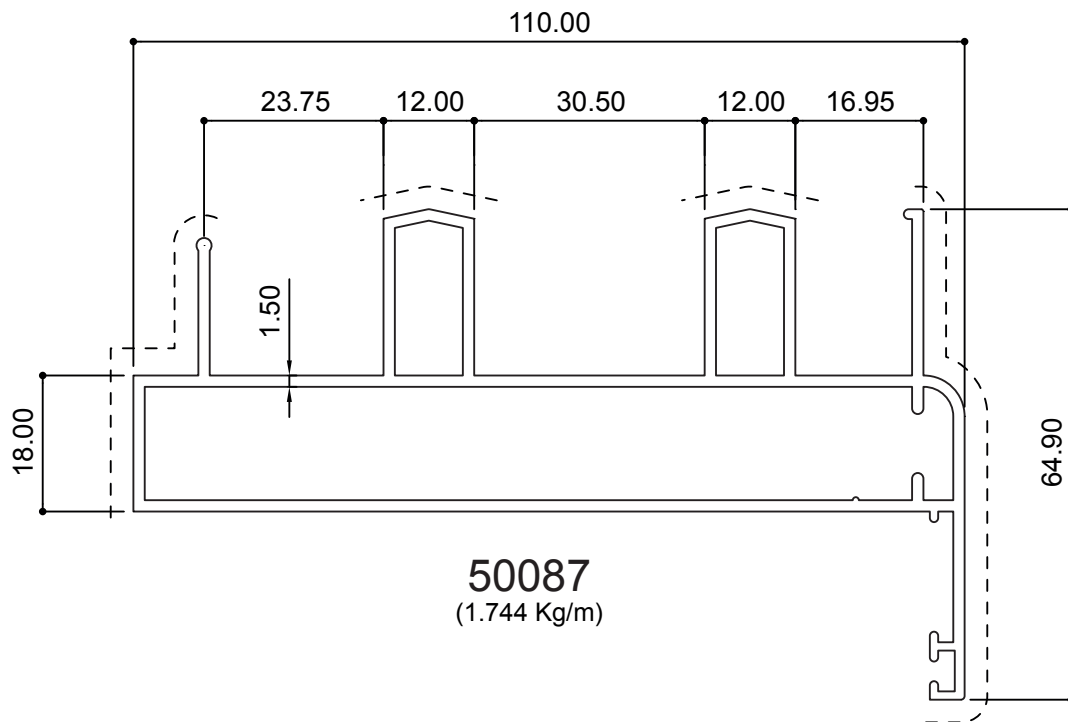
* For export, not recommended for GCC usage

Sliding Profiles



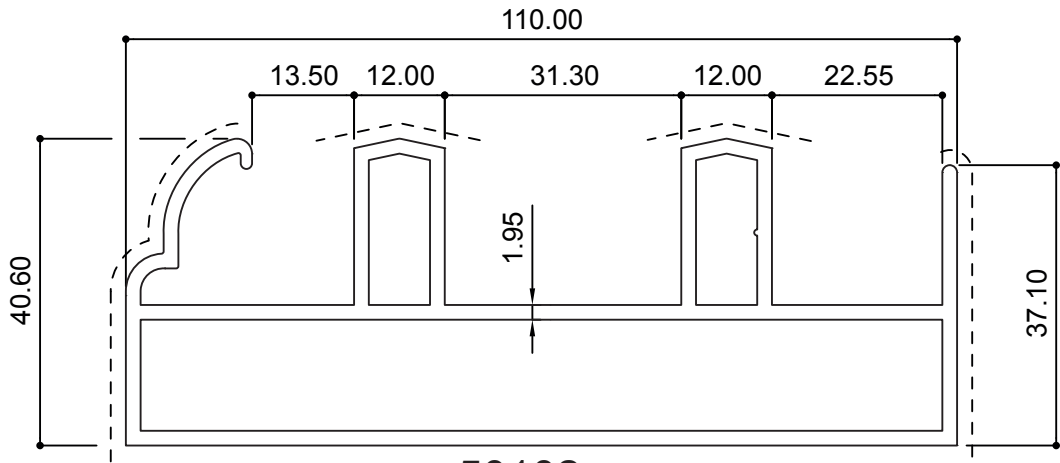
* For export, not recommended for GCC usage

Sliding Profiles

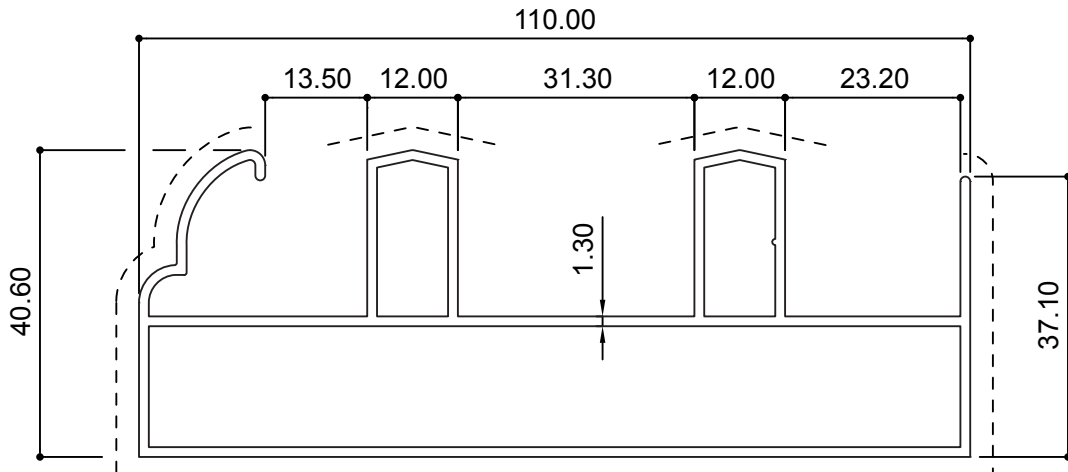


* For export, not recommended for GCC usage

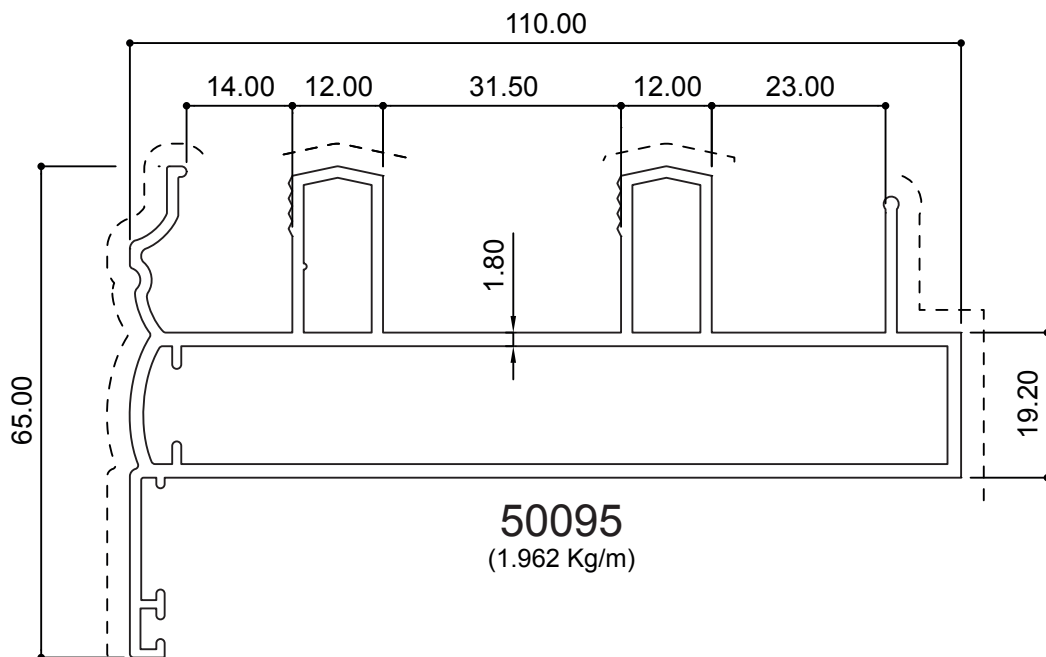
Sliding Profiles



50102
(2.103 Kg/m)



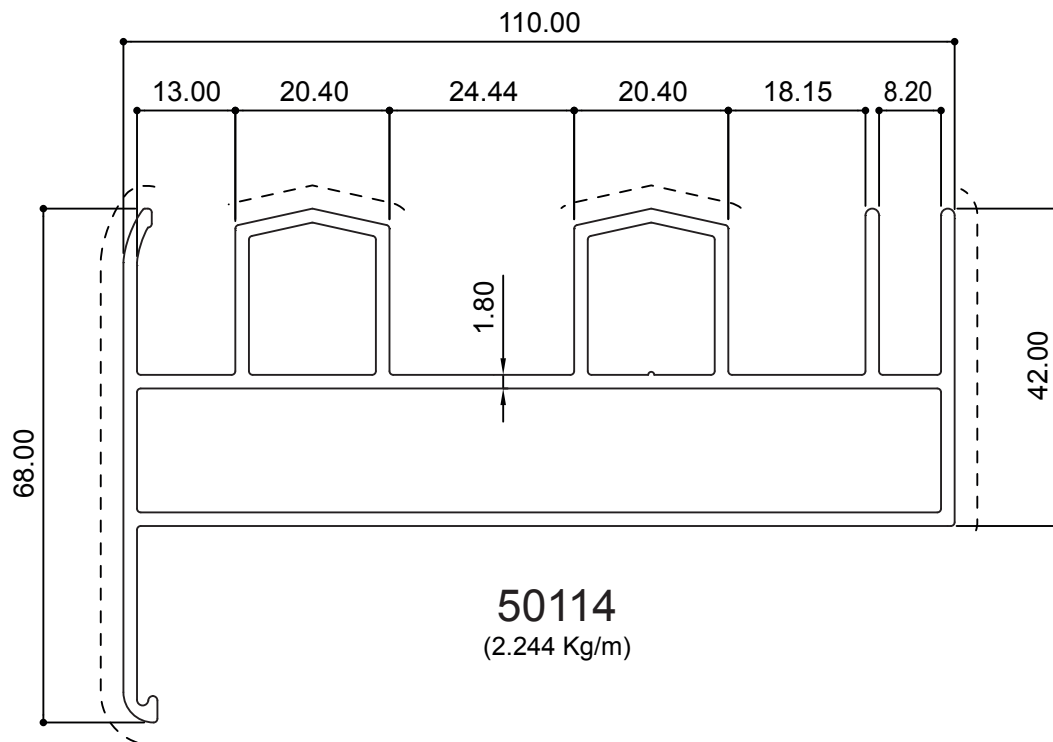
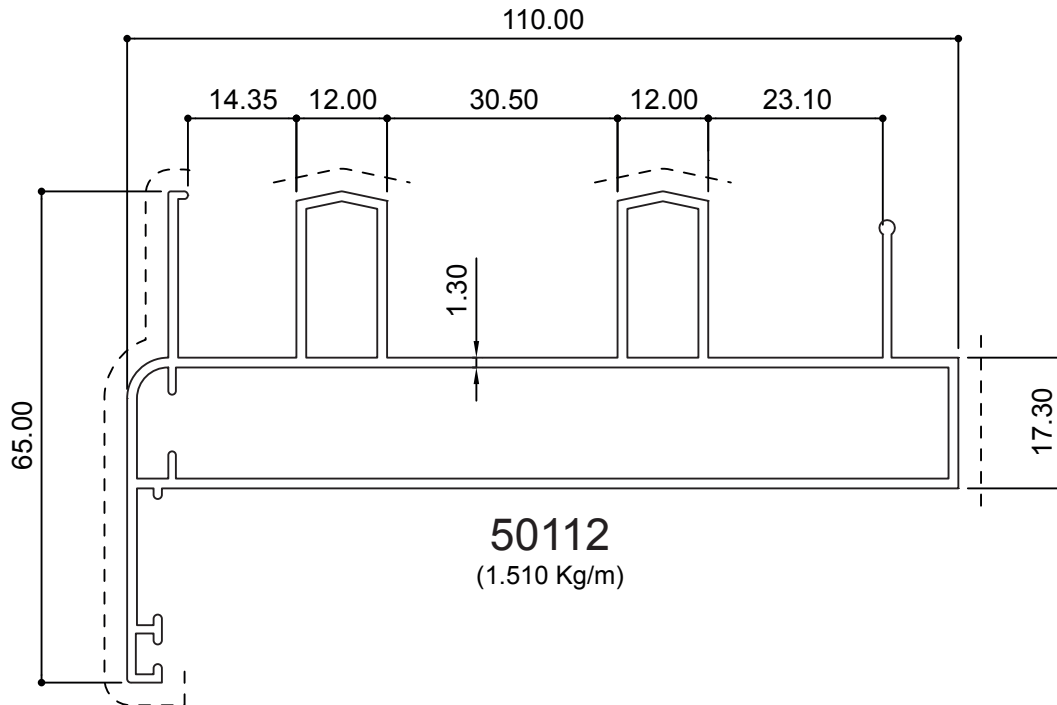
50103
(1.425 Kg/m)



50095
(1.962 Kg/m)

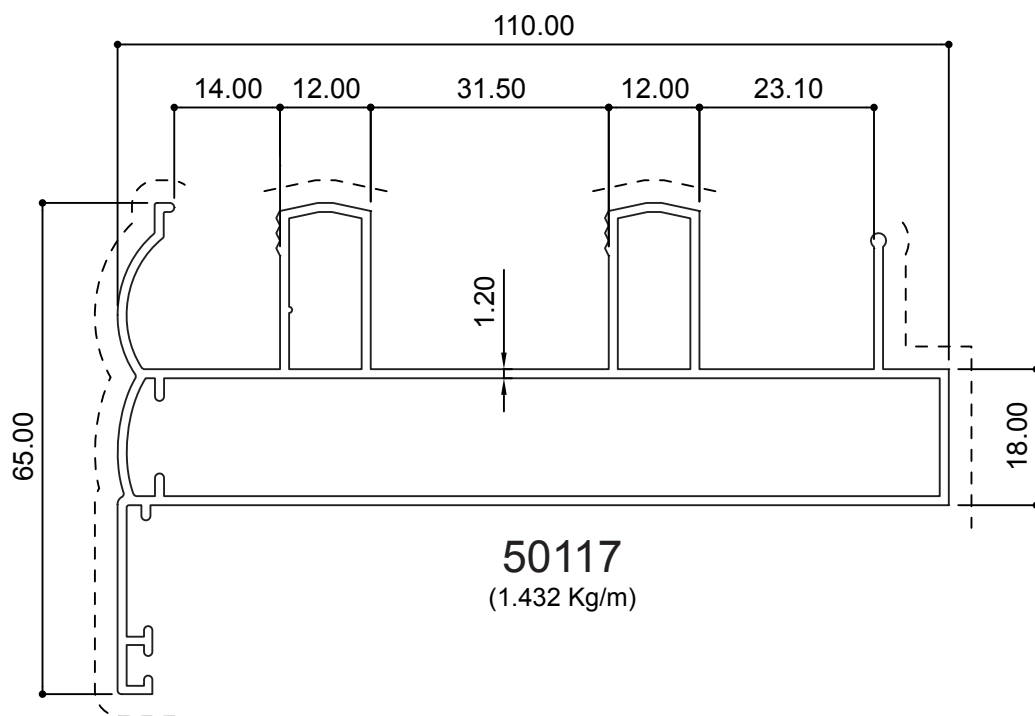
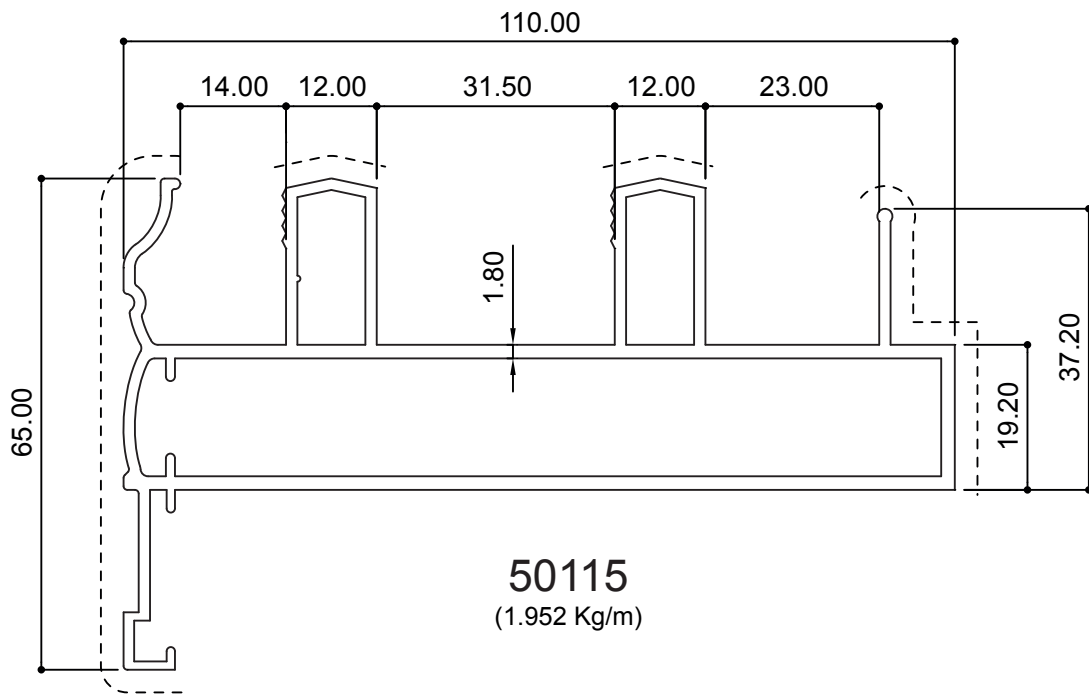
* For export, not recommended for GCC usage

Sliding Profiles



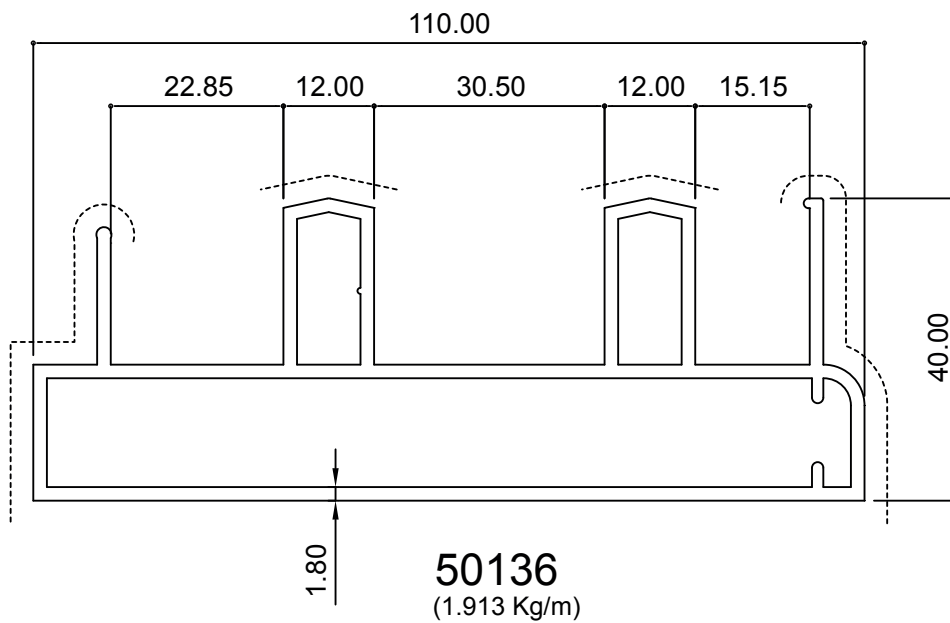
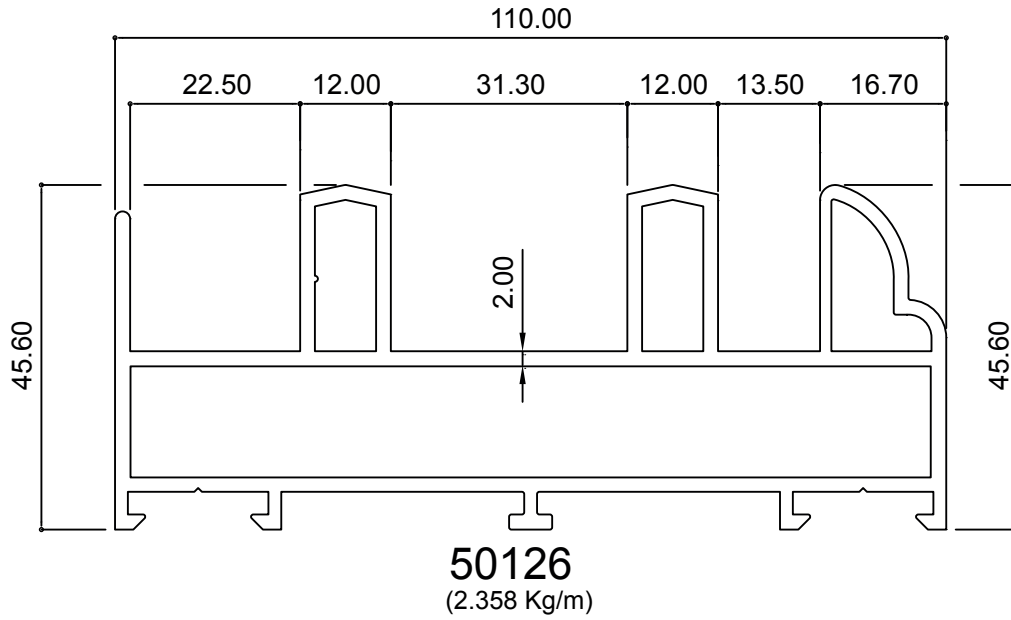
* For export, not recommended for GCC usage

Sliding Profiles



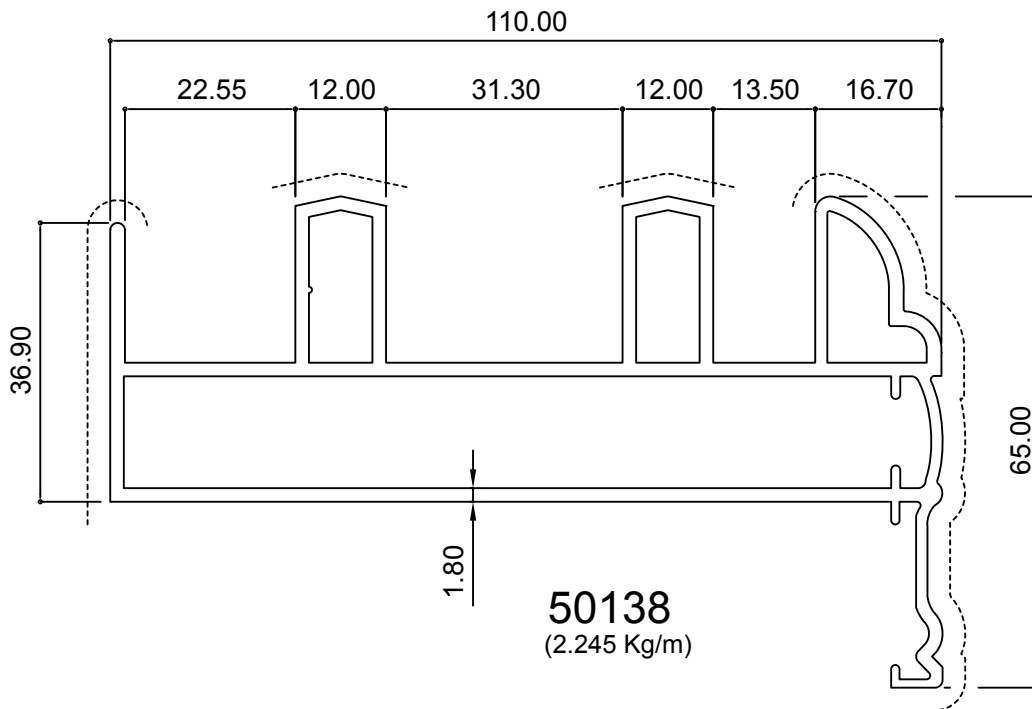
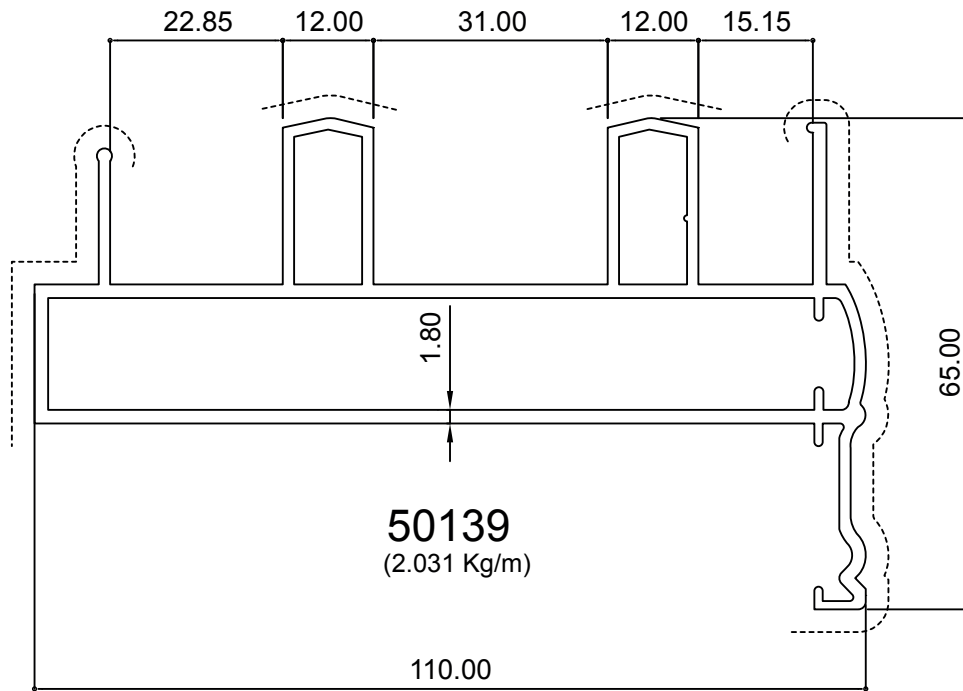
* For export, not recommended for GCC usage

Sliding Profiles



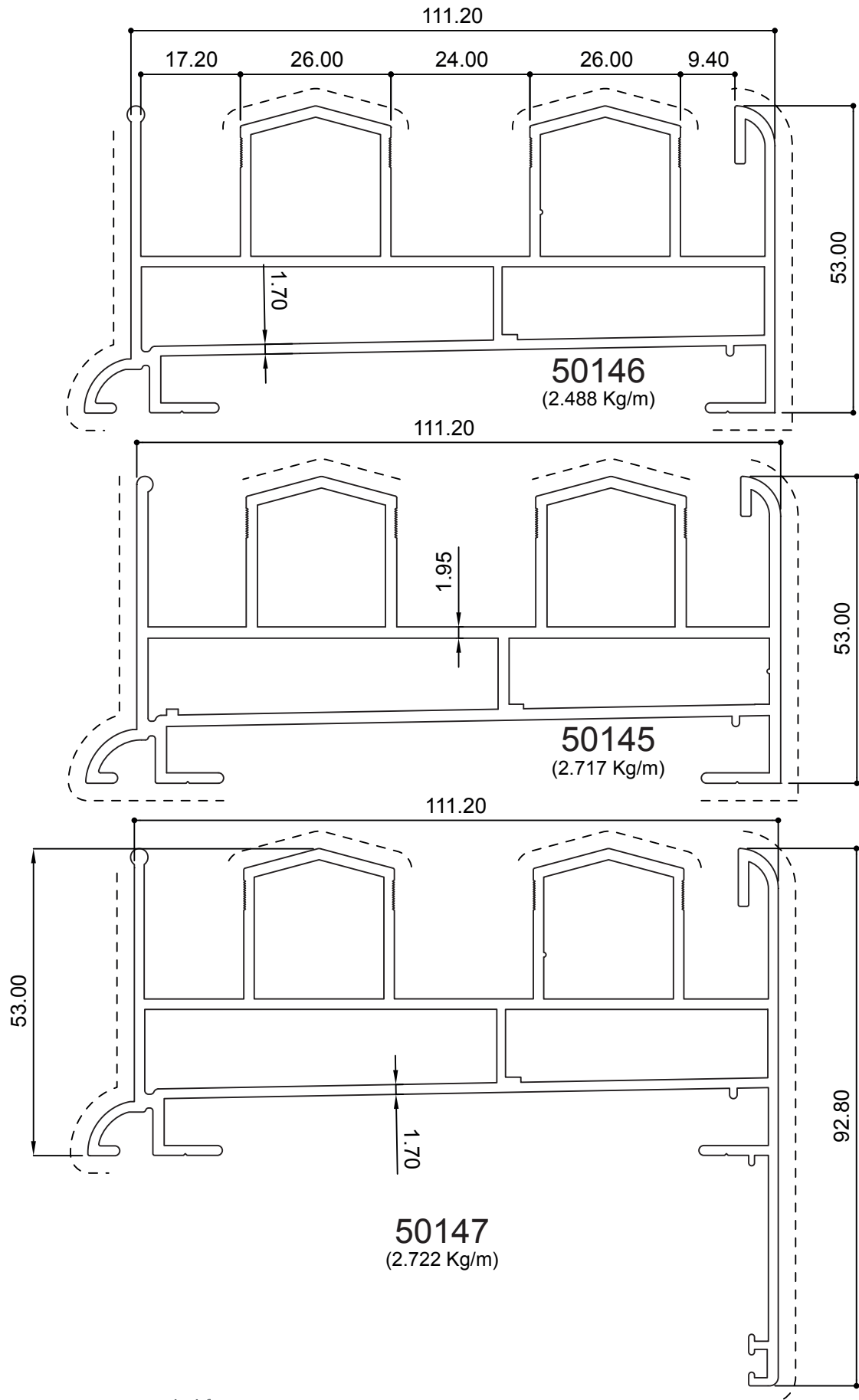
* For export, not recommended for GCC usage

Sliding Profiles



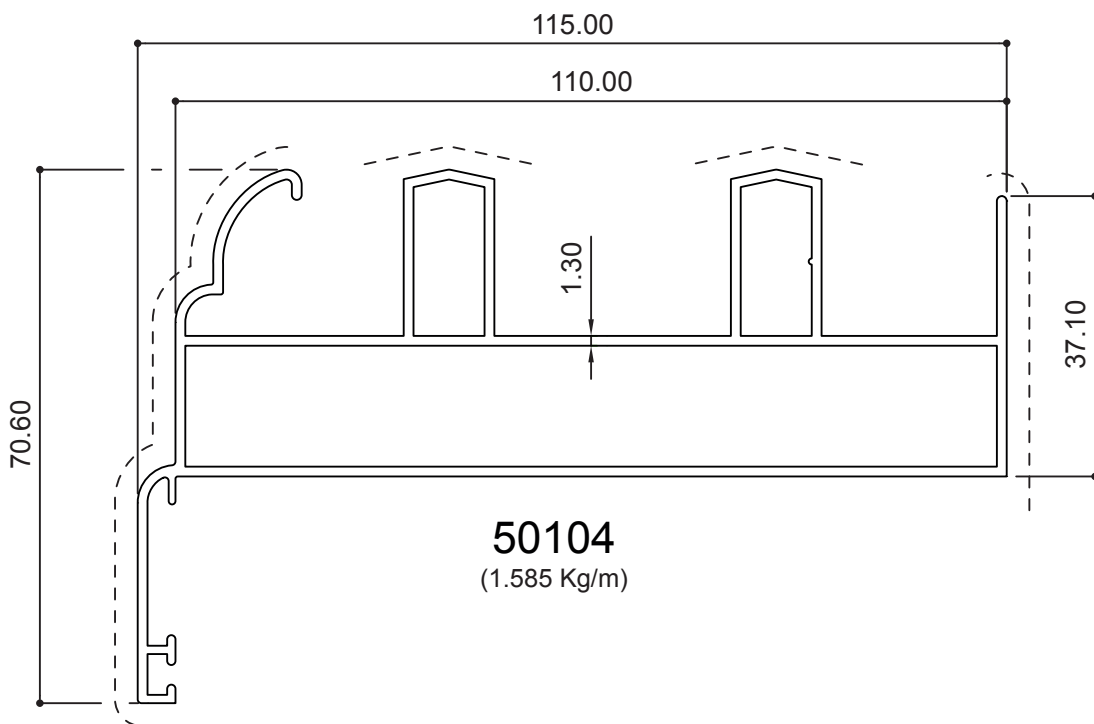
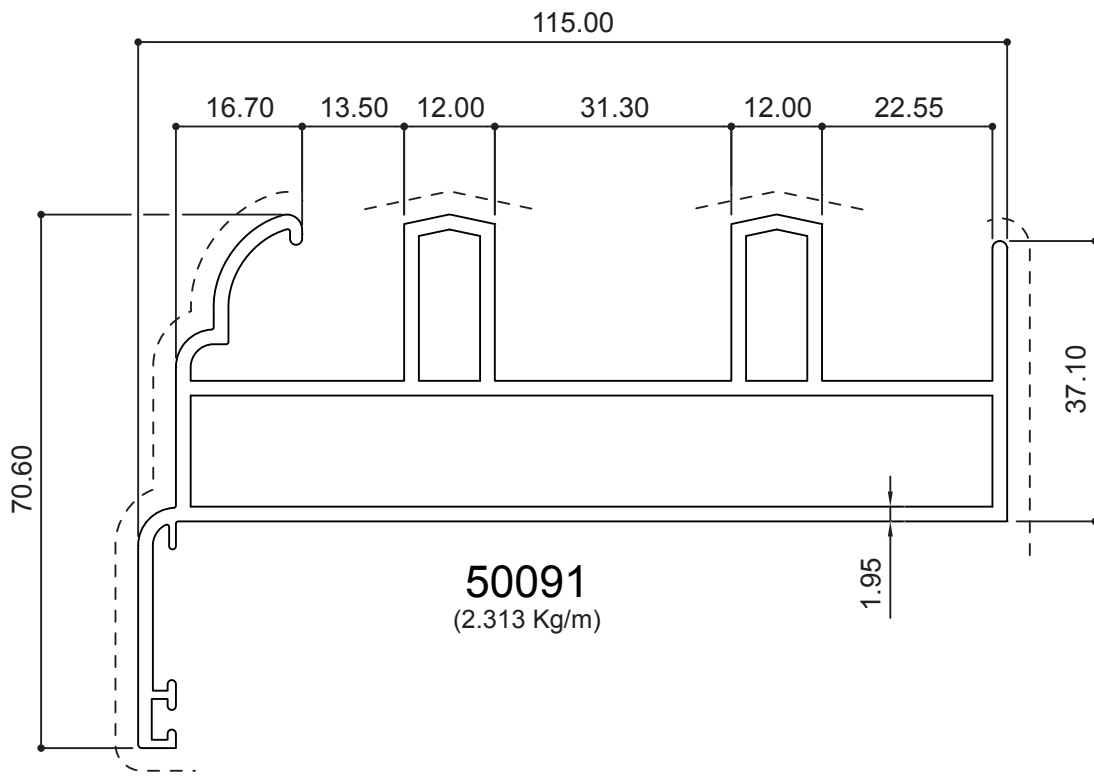
* For export, not recommended for GCC usage

Sliding Profiles



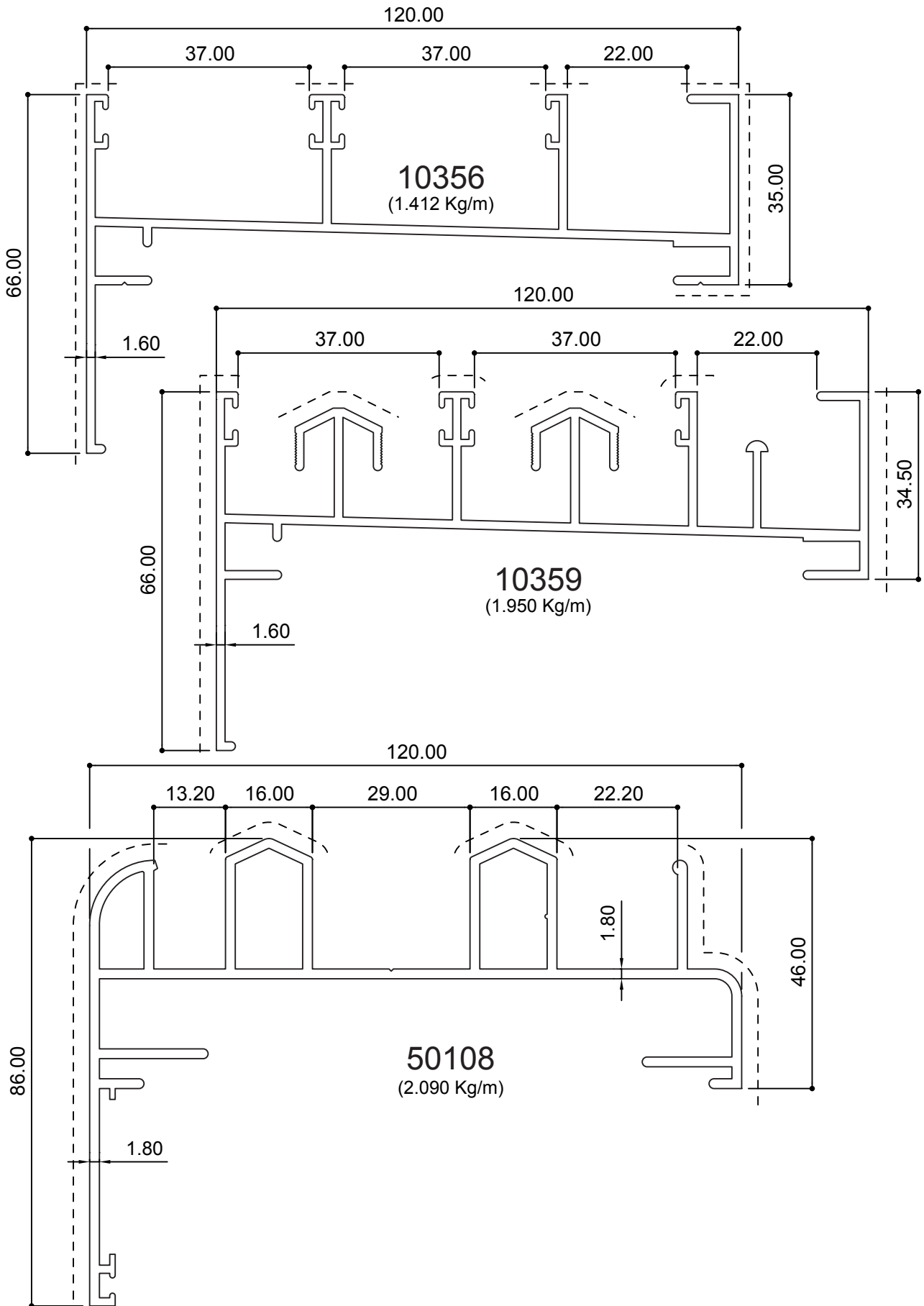
* For export, not recommended for GCC usage

Sliding Profiles



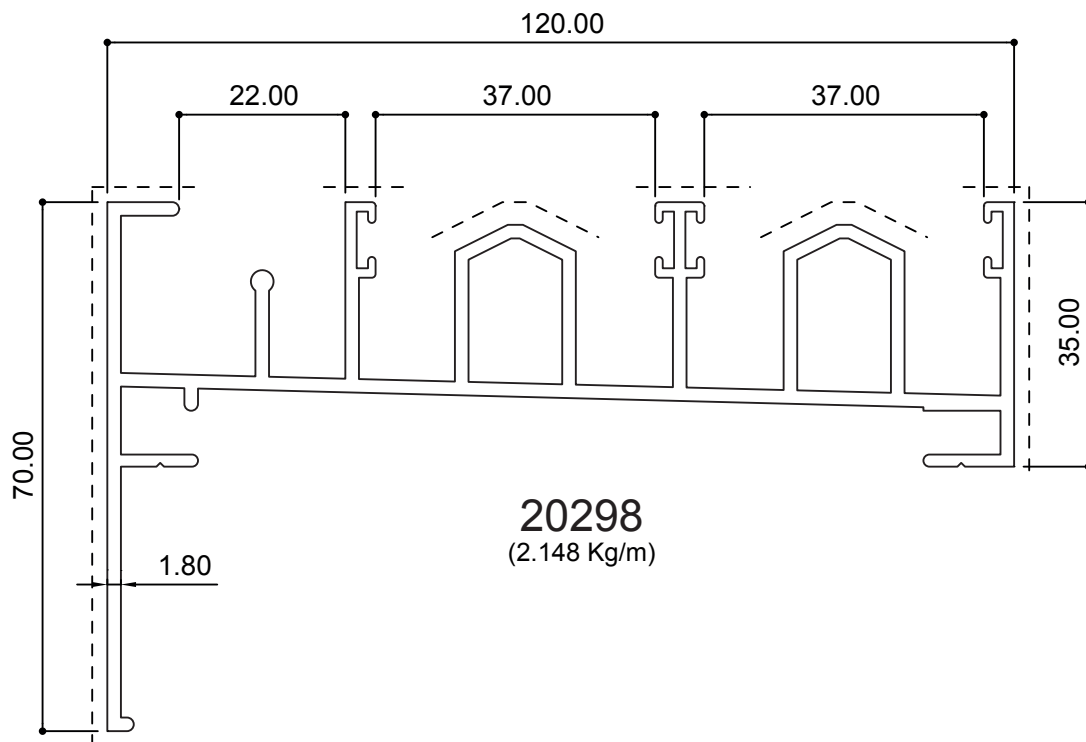
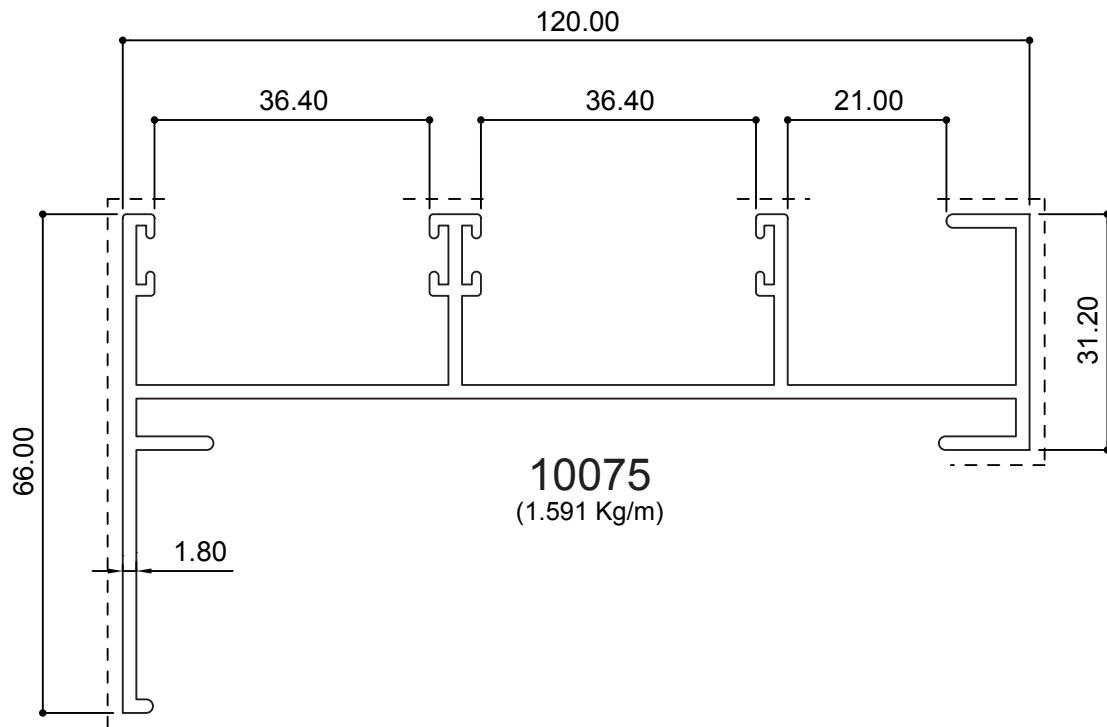
* For export, not recommended for GCC usage

Sliding Profiles



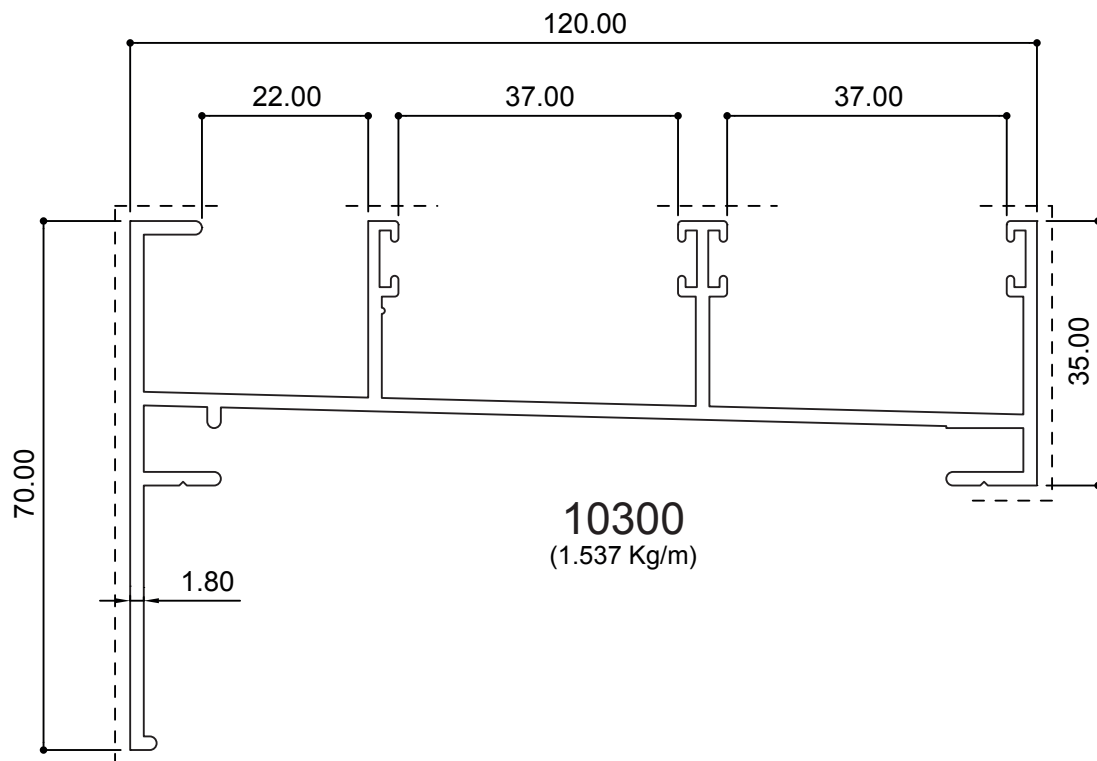
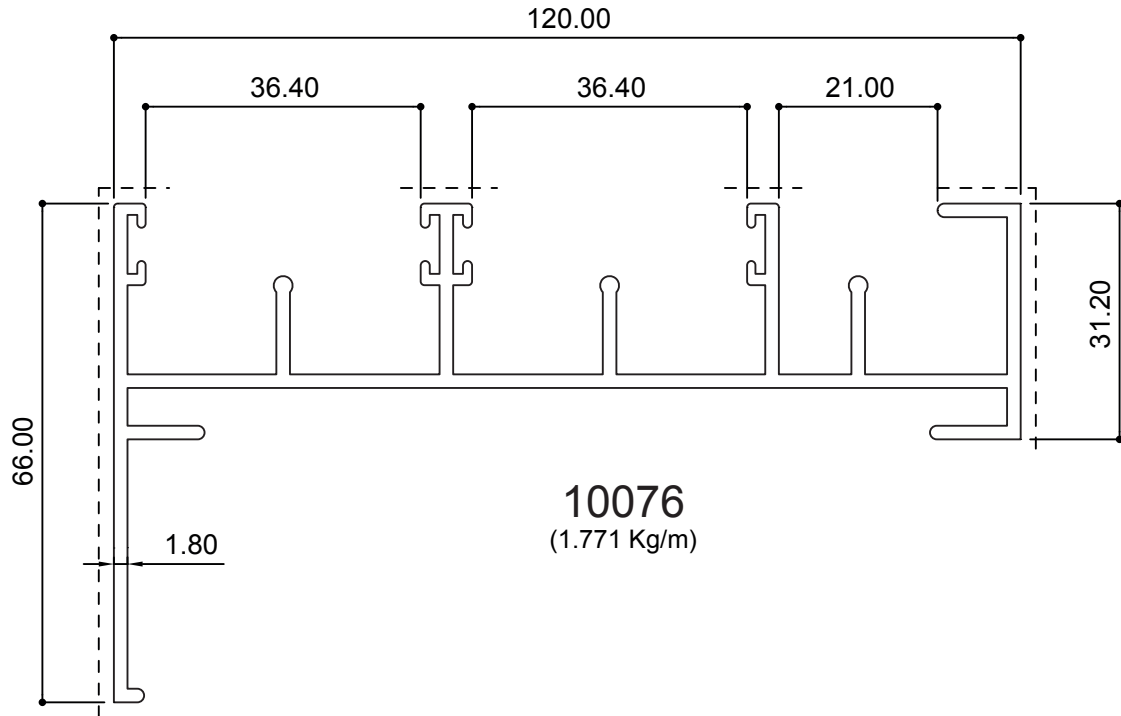
* For export, not recommended for GCC usage

Sliding Profiles



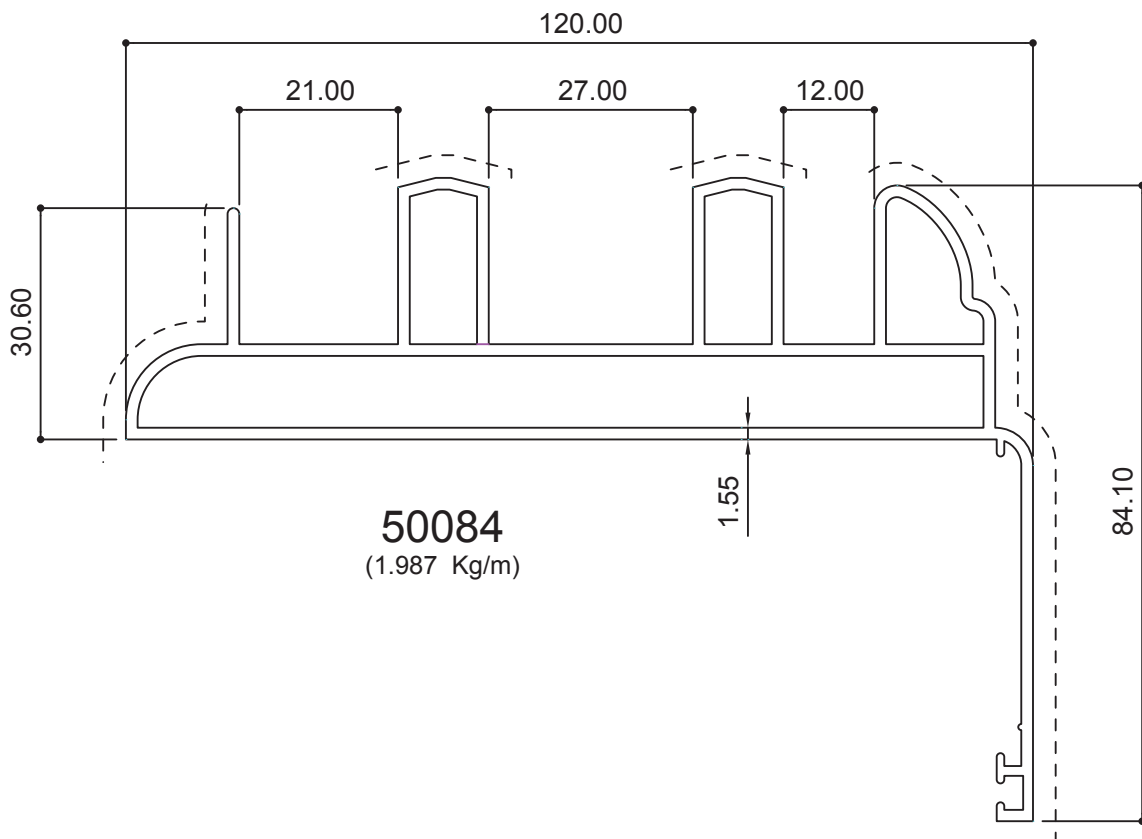
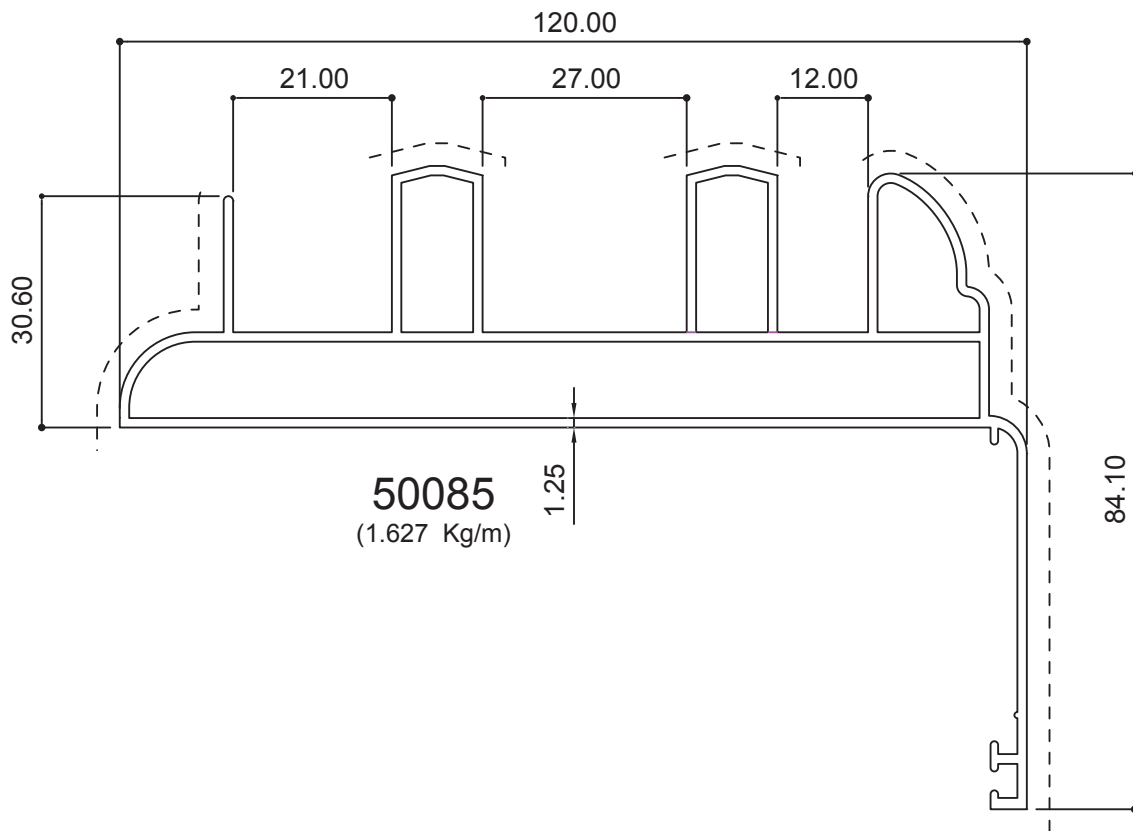
* For export, not recommended for GCC usage

Sliding Profiles



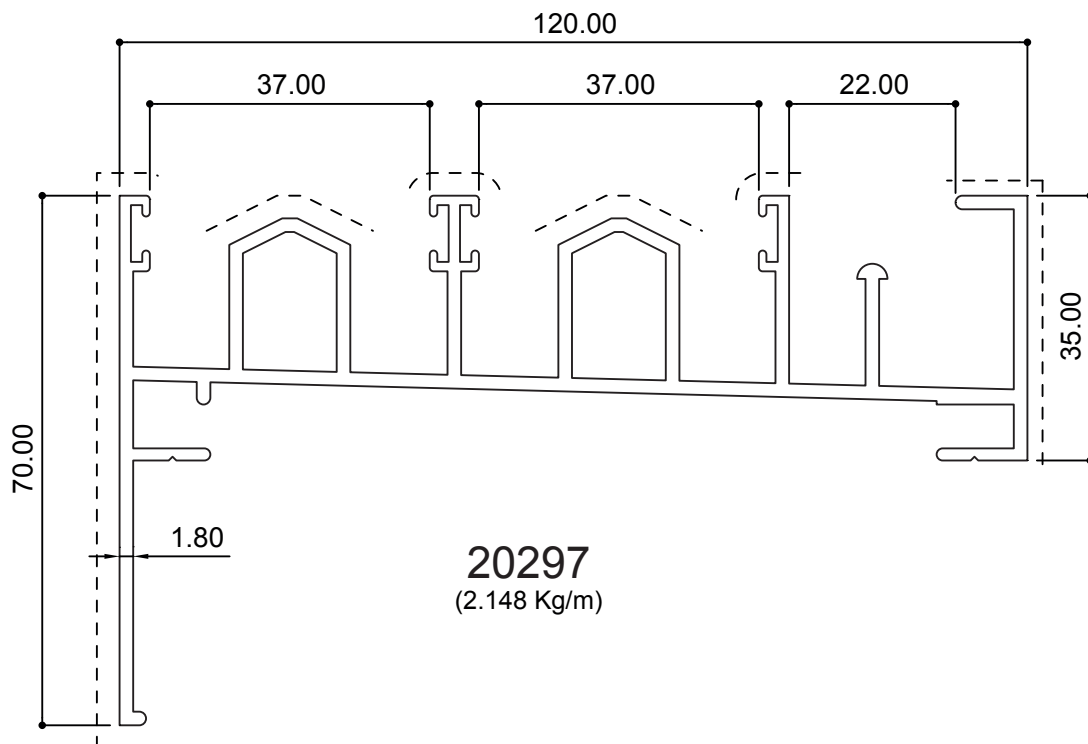
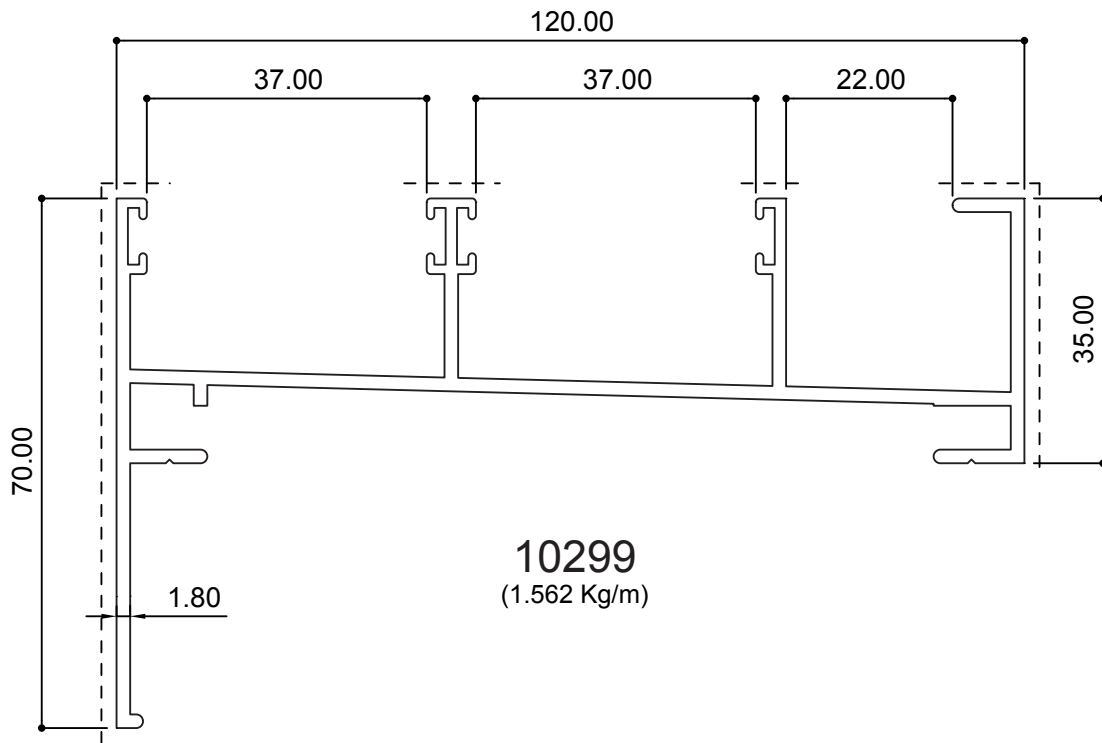
* For export, not recommended for GCC usage

Sliding Profiles



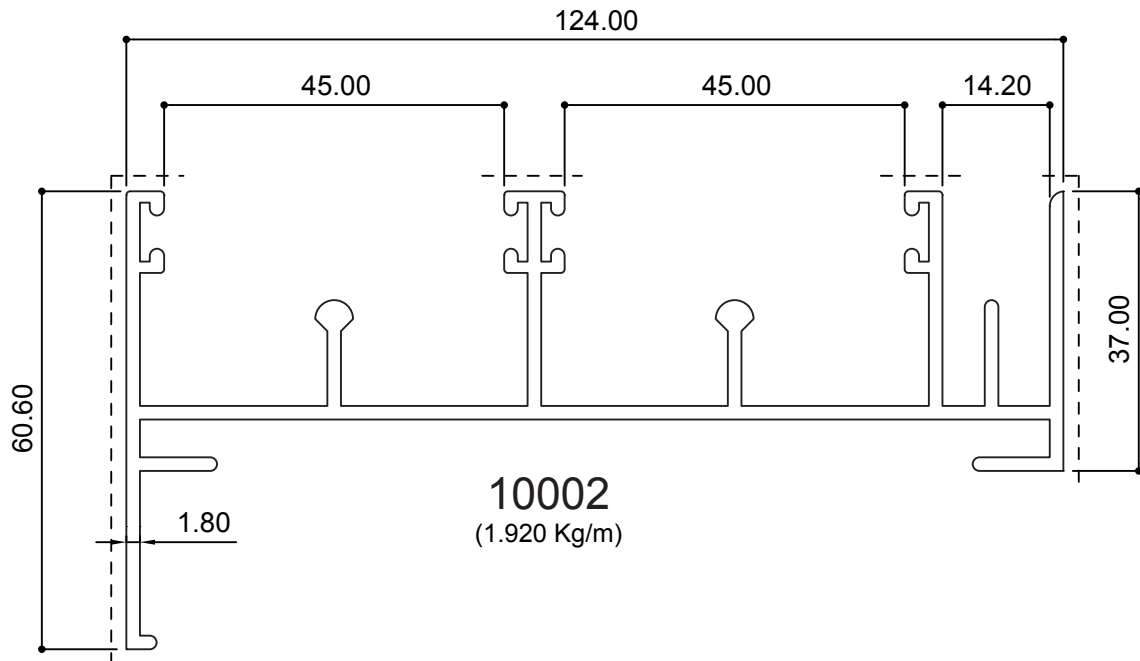
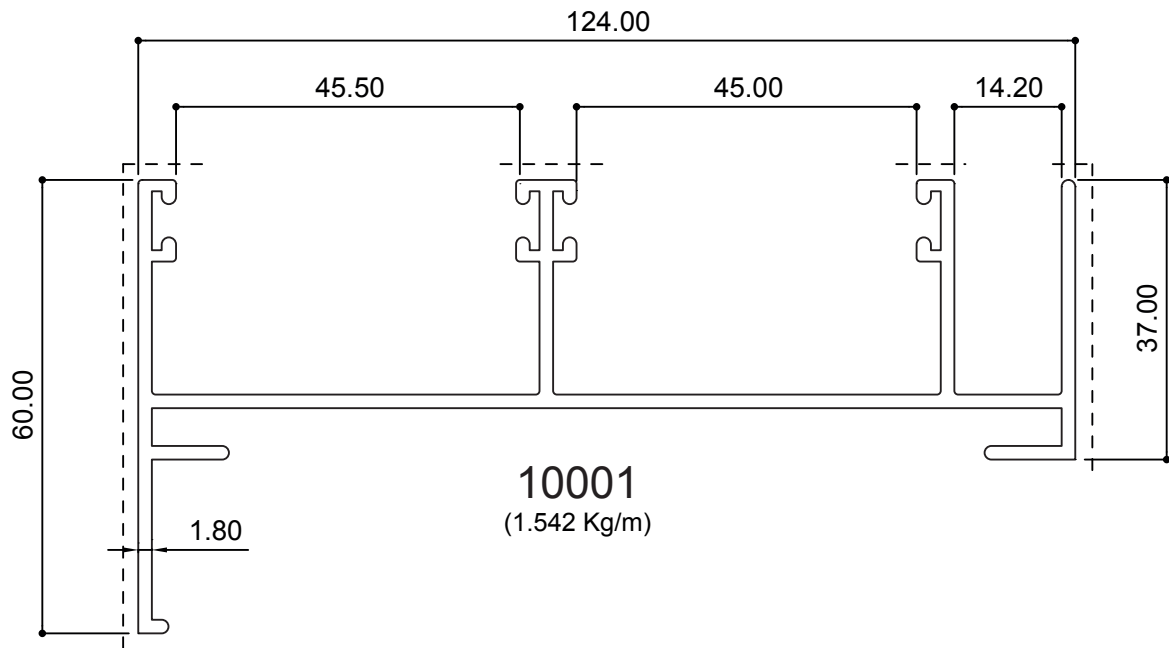
* For export, not recommended for GCC usage

Sliding Profiles

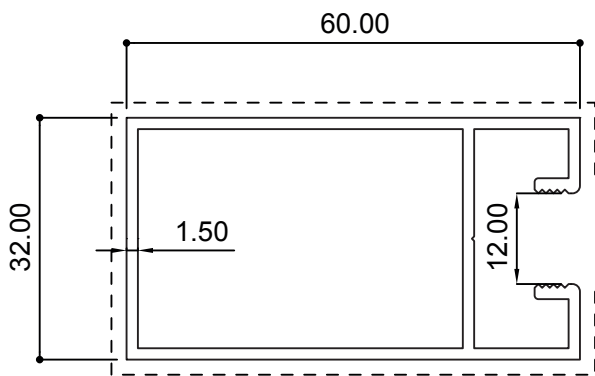


* For export, not recommended for GCC usage

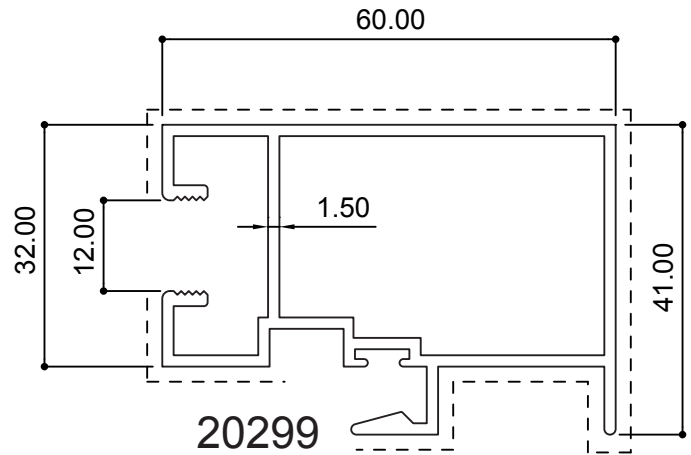
Sliding Profiles



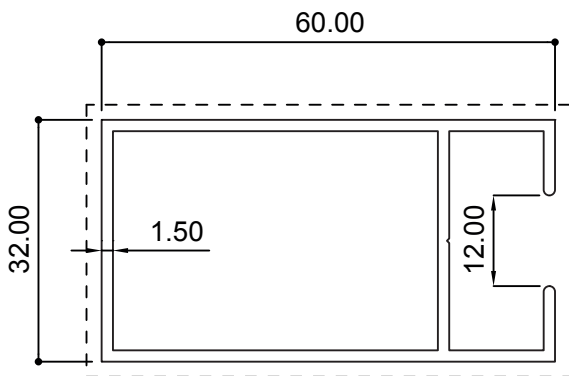
Sash & Interlock



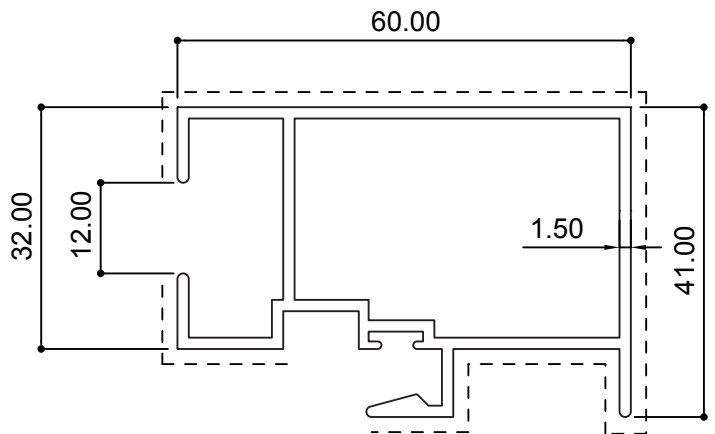
20301
(0.839 Kg/m)



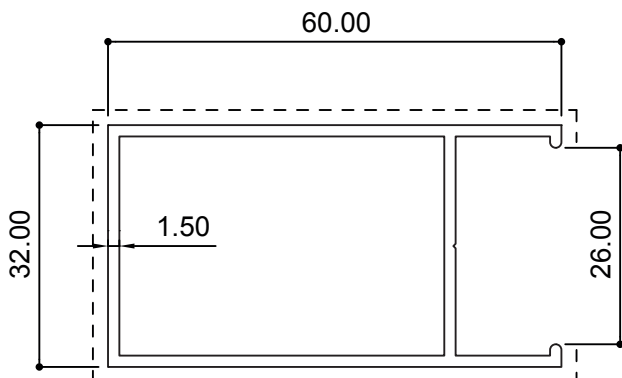
20299
(1.012 Kg/m)



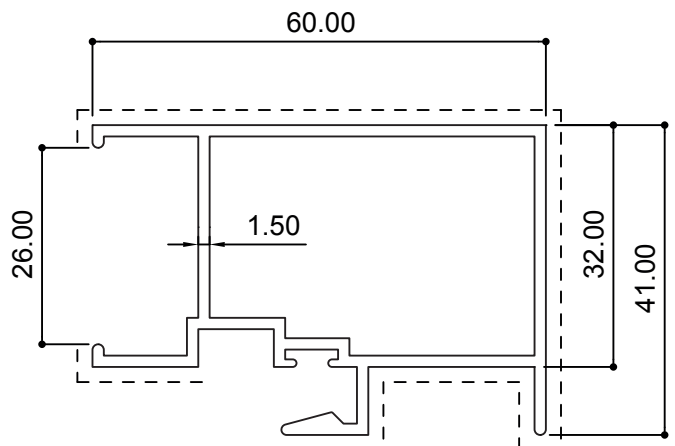
20375
(0.795 Kg/m)



20376
(0.990 Kg/m)



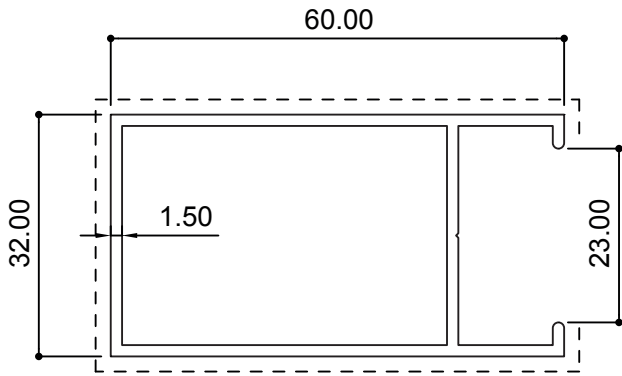
24628
(0.732 Kg/m)



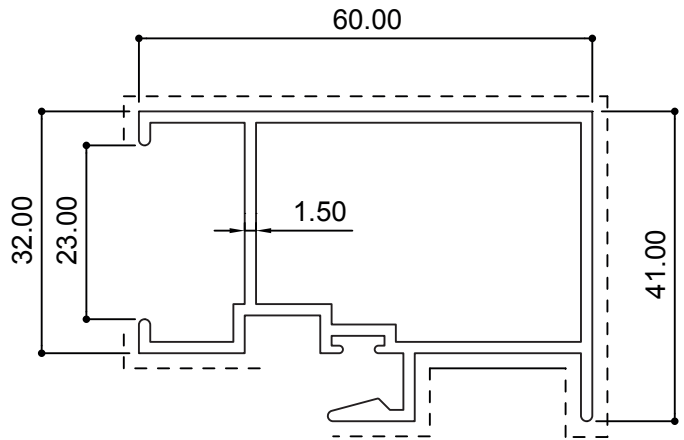
24629
(0.895 Kg/m)

* For export, not recommended for GCC usage

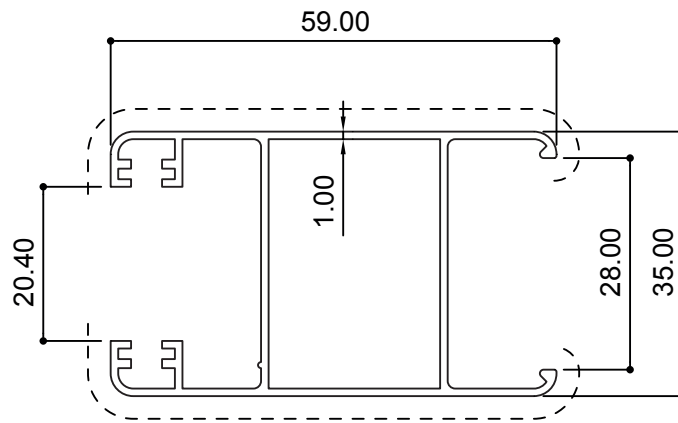
Sash & Interlock



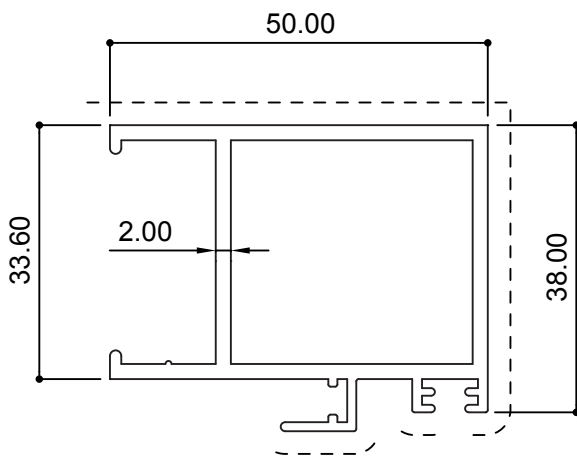
22857
(0.744 Kg/m)



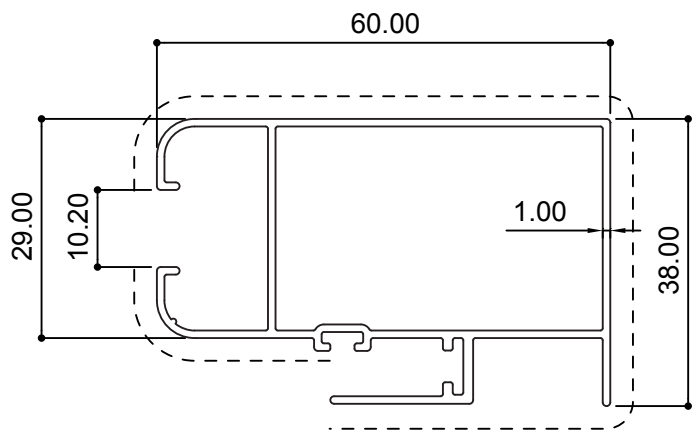
22858
(0.907 Kg/m)



50088*
(0.617 Kg/m)



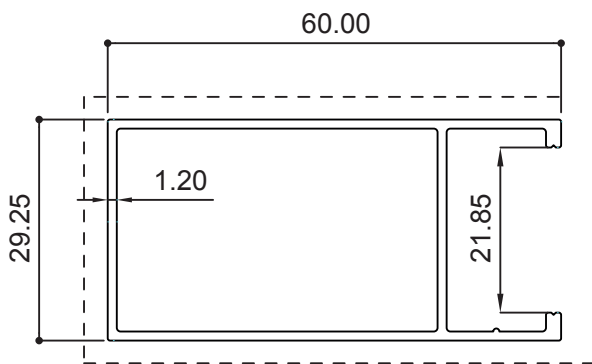
50148
(0.978 Kg/m)



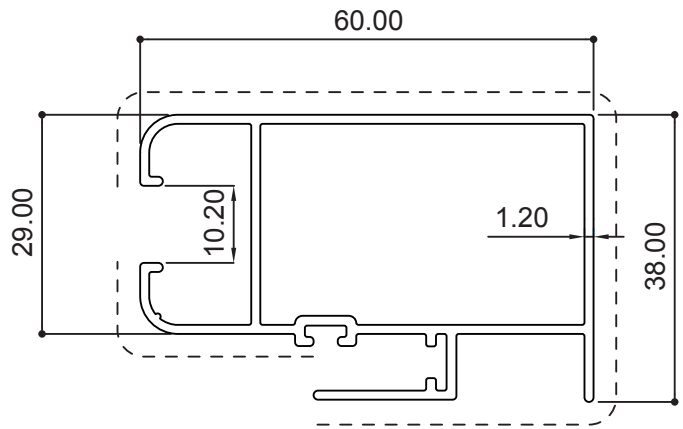
50089*
(0.648 Kg/m)

* For export, not recommended for GCC usage

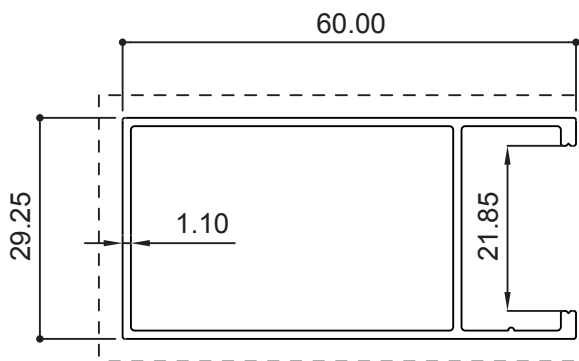
Sash & Interlock



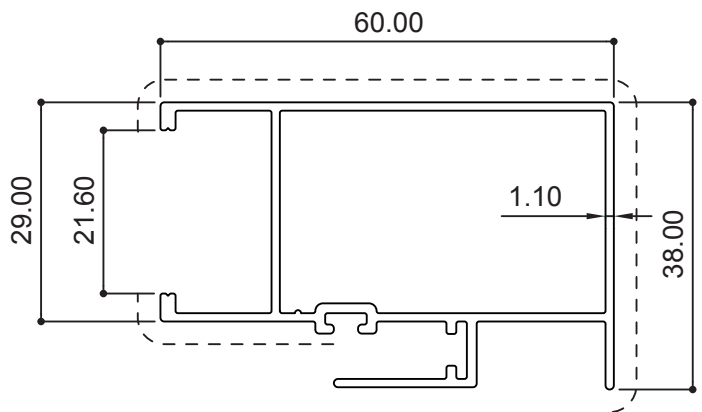
50062
(0.590 Kg/m)



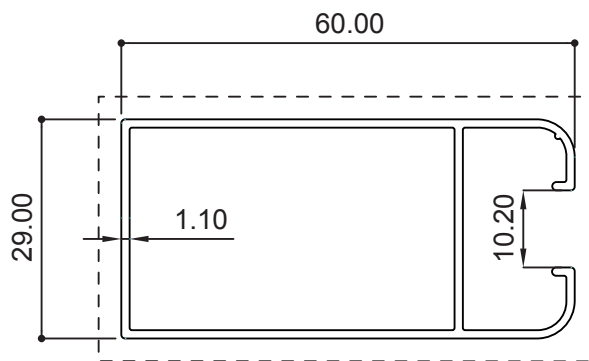
50061
(0.760 Kg/m)



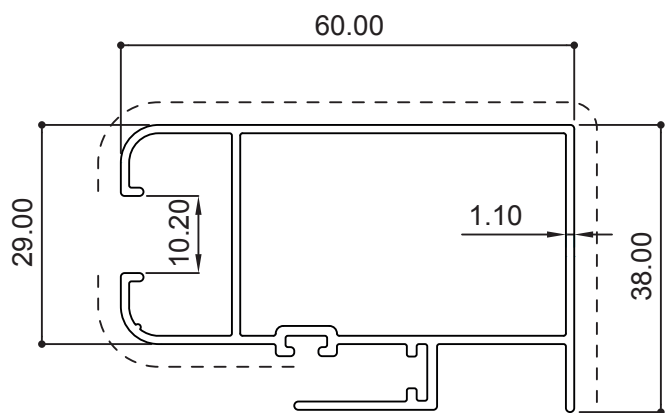
50081*
(0.546 Kg/m)



50082*
(0.694 Kg/m)



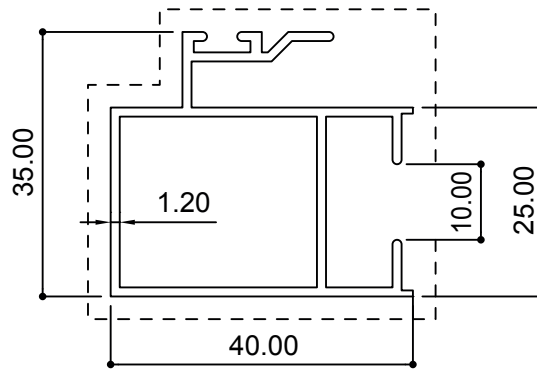
50083*
(0.564 Kg/m)



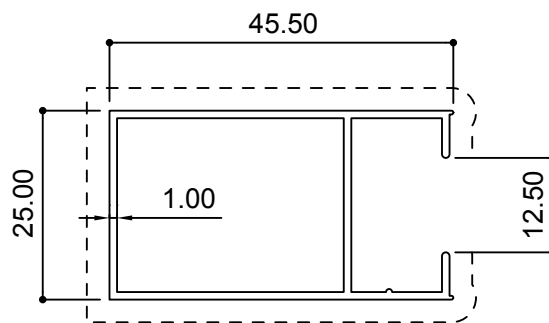
50080*
(0.715 Kg/m)

* For export, not recommended for GCC usage

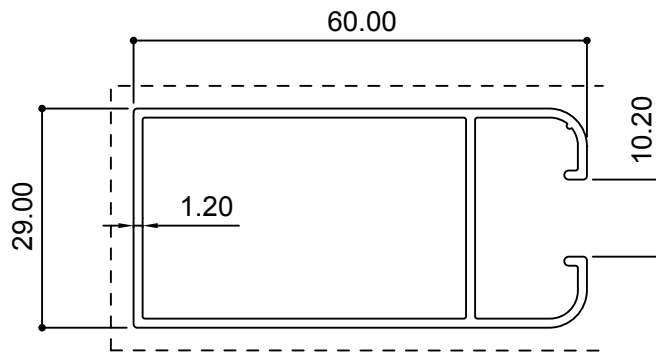
Sash & Interlock



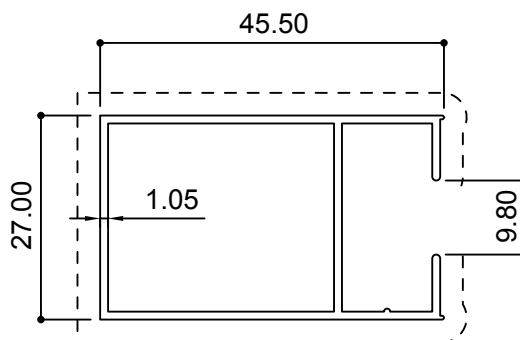
21055
(0.563 Kg/m)



50009 *
(0.397 Kg/m)



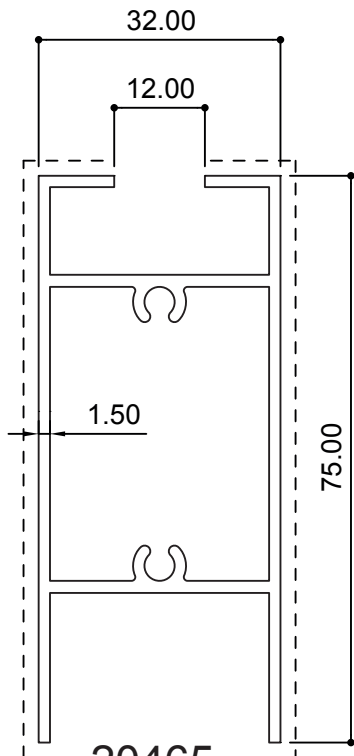
50065
(0.610 Kg/m)



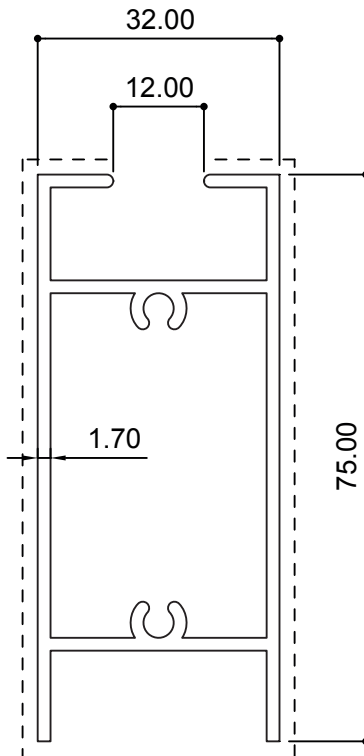
50054 *
(0.440 Kg/m)

* For export, not recommended for GCC usage

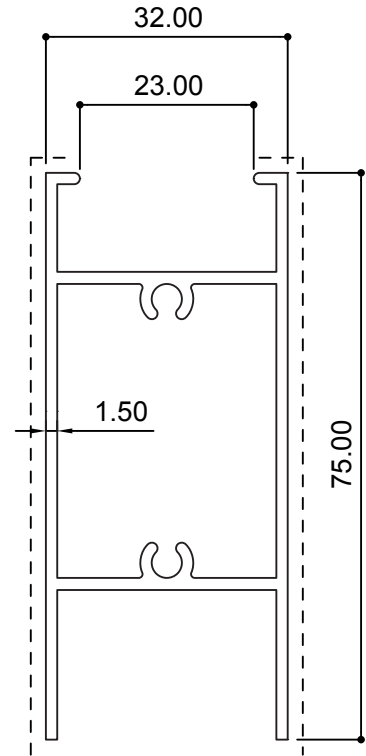
Sash & Interlock



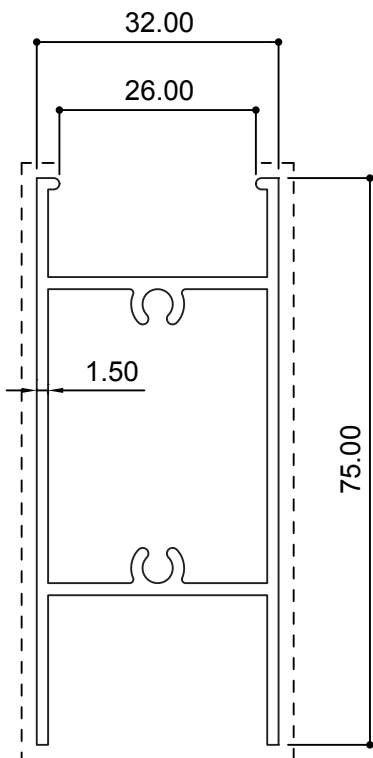
20465
(1.098 Kg/m)



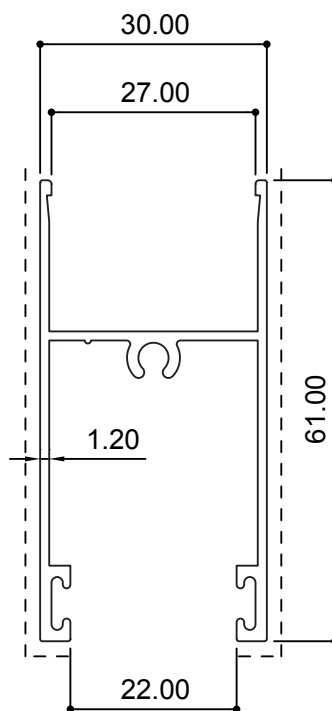
20073
(1.122 Kg/m)



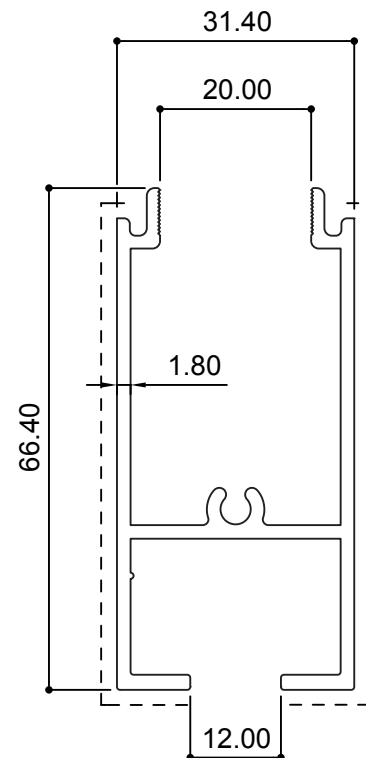
22859
(0.964 Kg/m)



24630
(0.952 Kg/m)



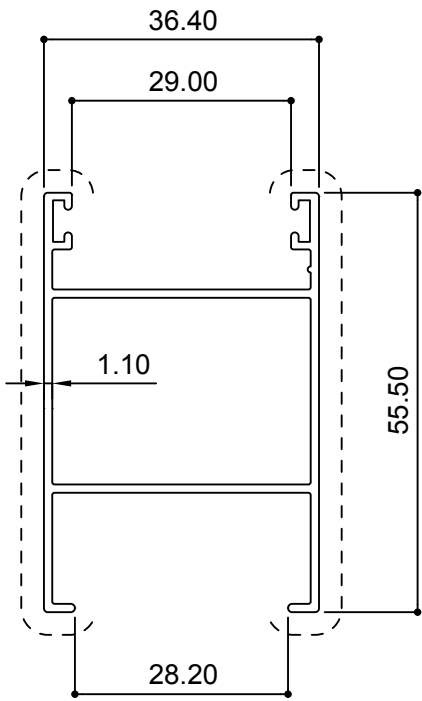
55017
0.605 Kg/m



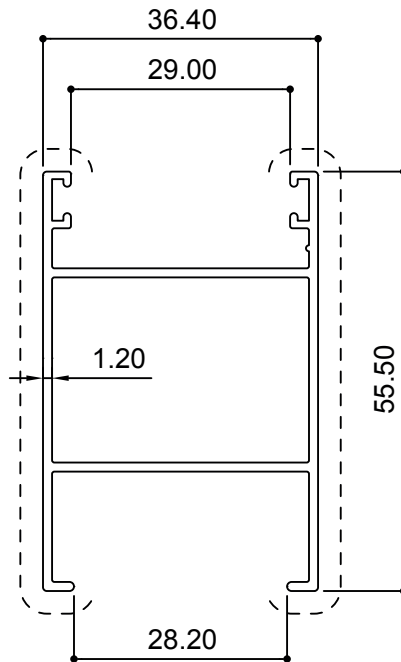
55011
(0.969 Kg/m)

* For export, not recommended for GCC usage

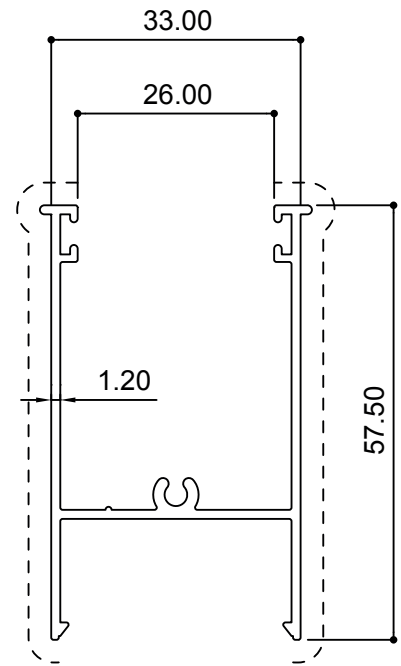
Sash & Interlock



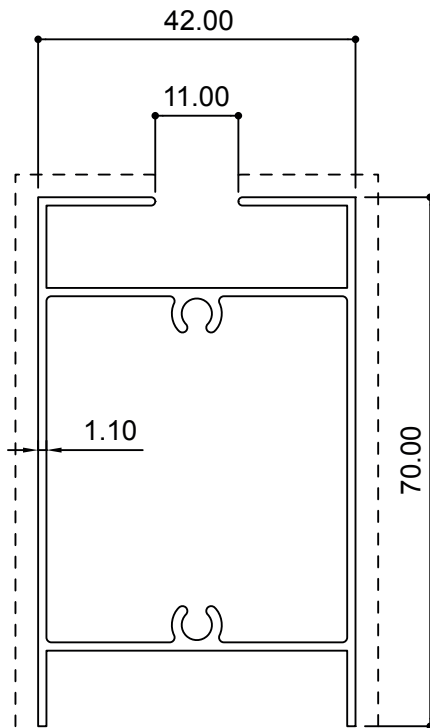
50078*
(0.594 Kg/m)



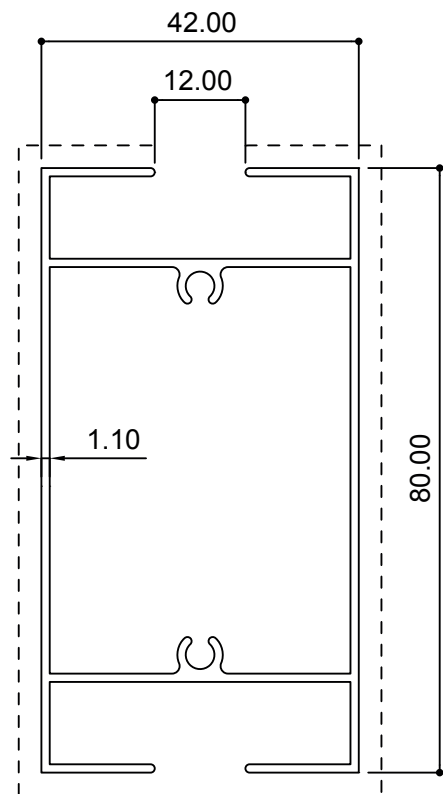
50056
(0.635 Kg/m)



55048
(0.564 Kg/m)



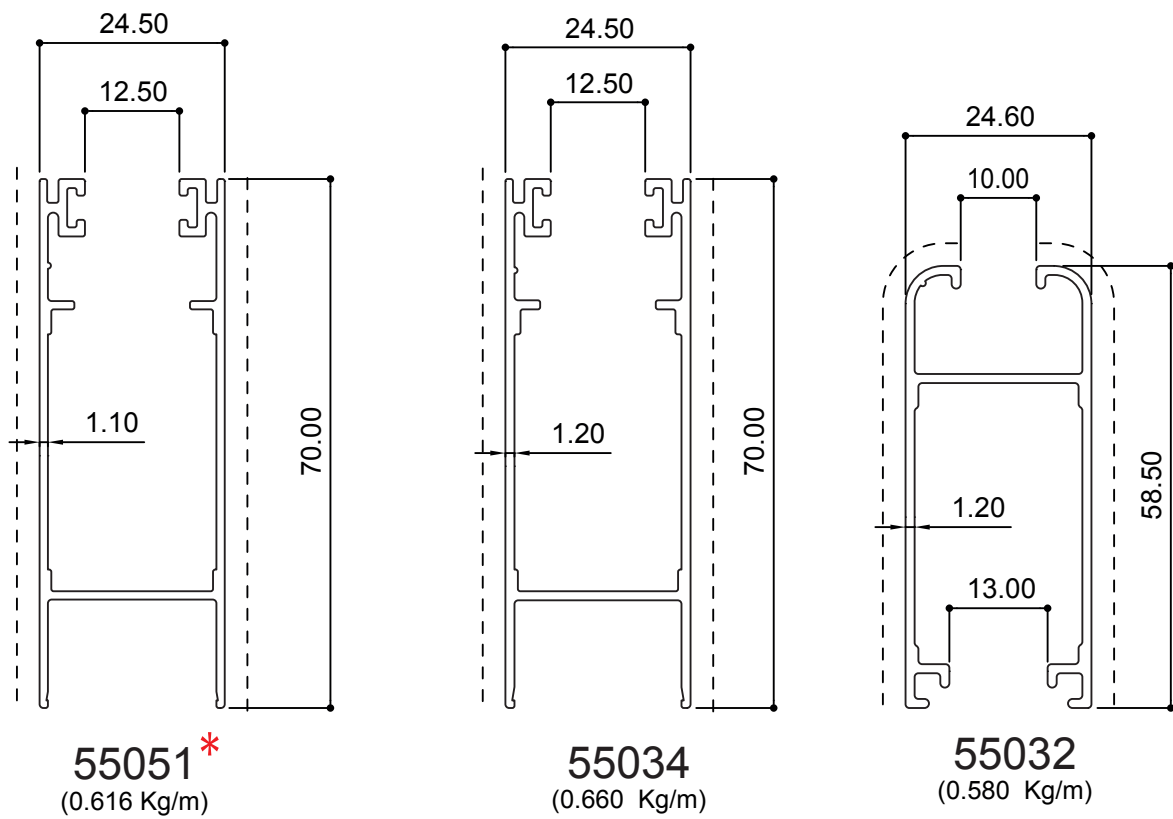
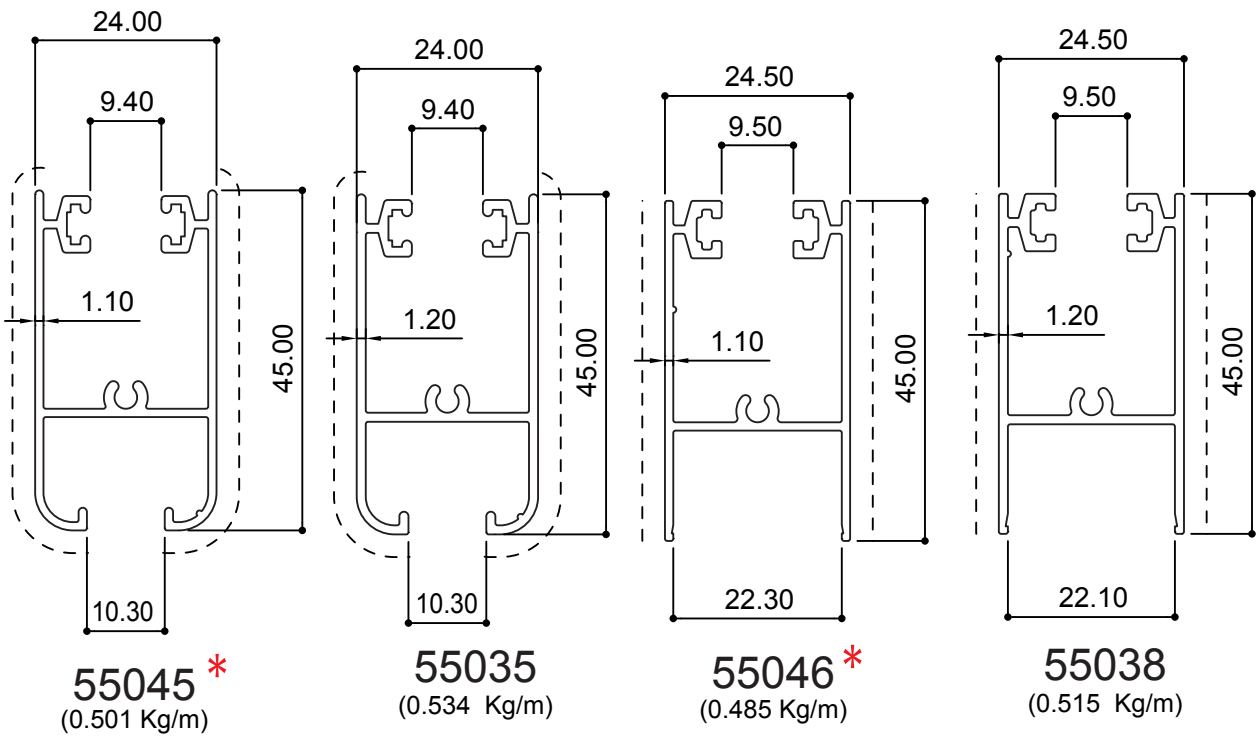
21580*
(0.818 Kg/m)



22129*
(0.952 Kg/m)

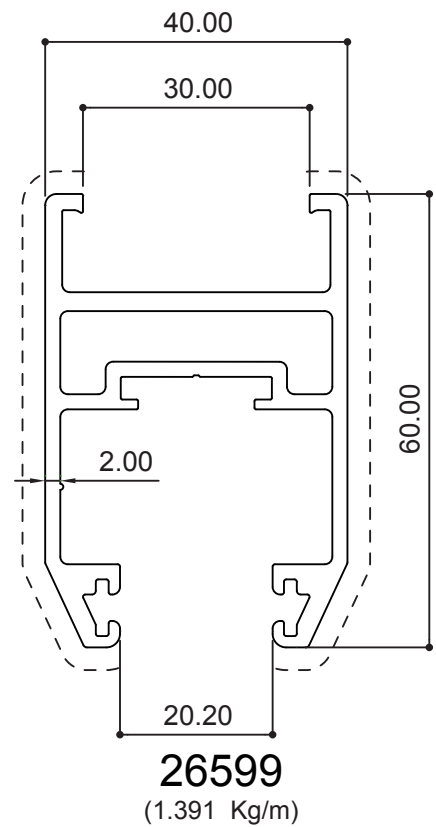
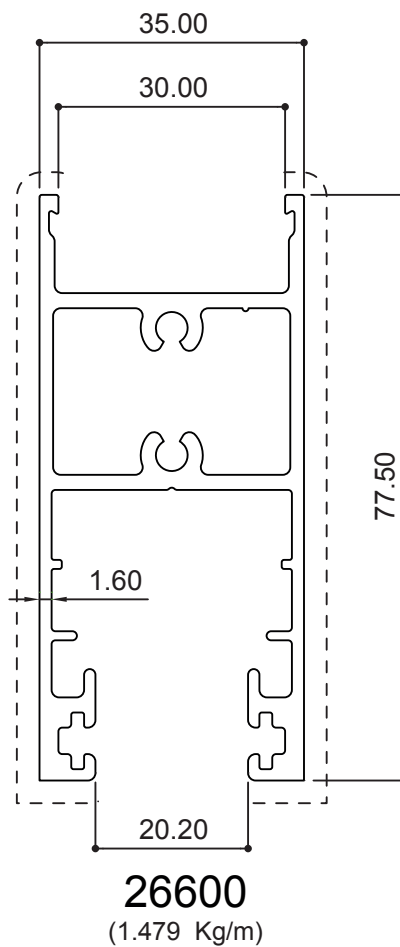
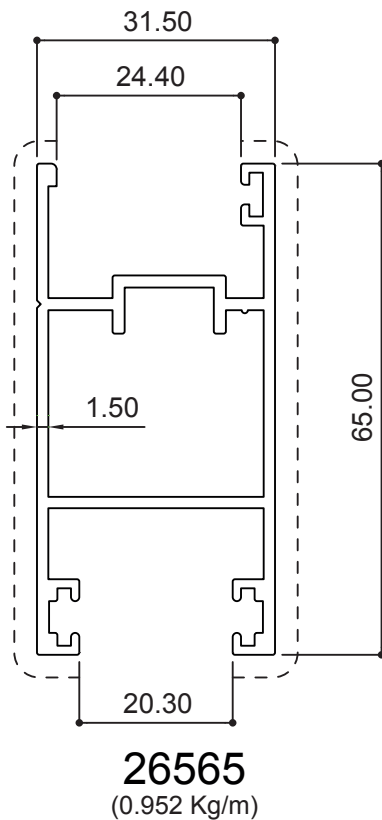
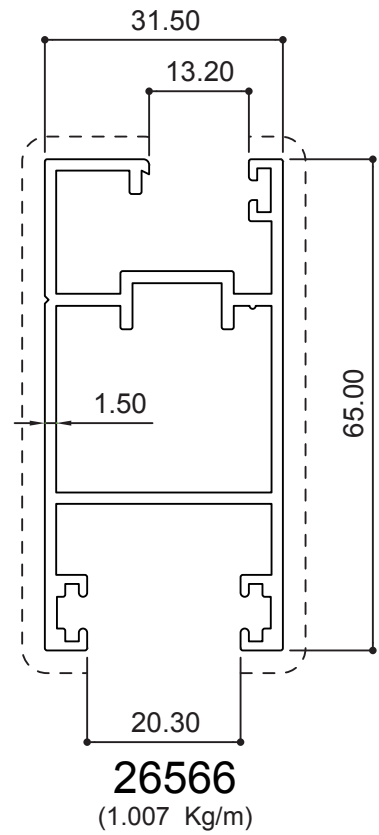
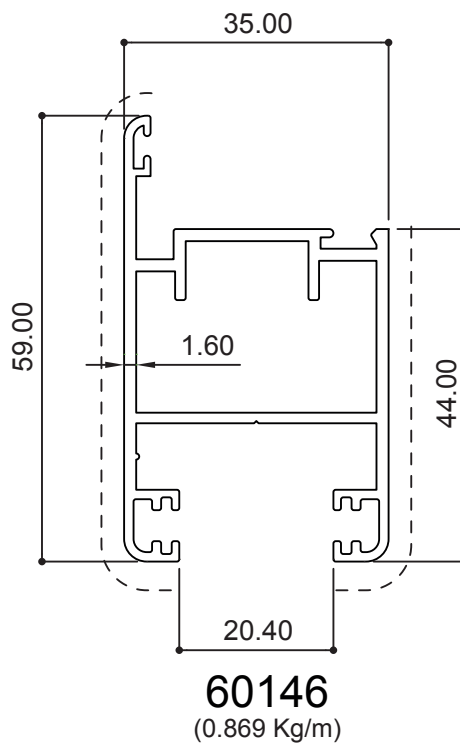
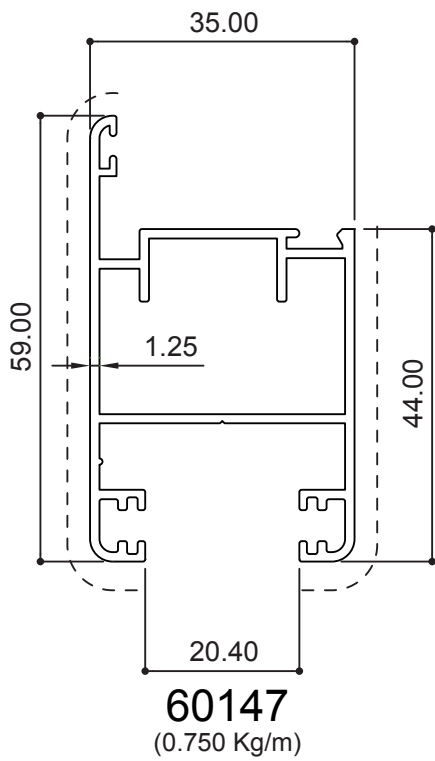
* For export, not recommended for GCC usage

Sash & Interlock



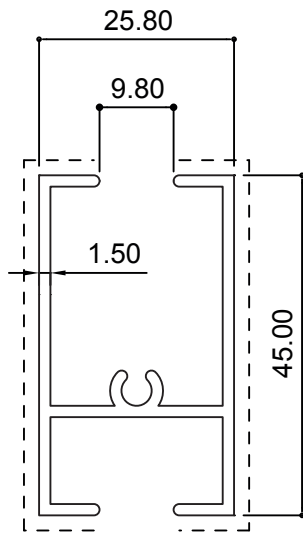
* For export, not recommended for GCC usage

Sash & Interlock

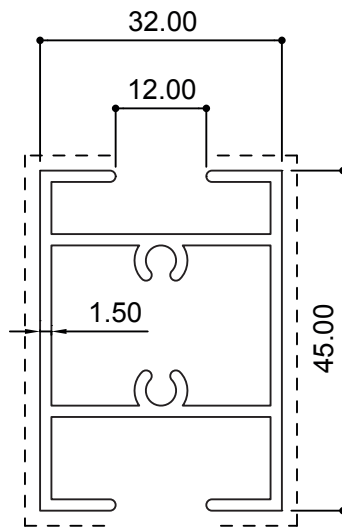


* For export, not recommended for GCC usage

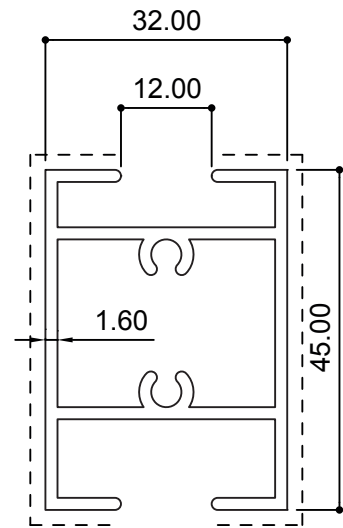
Sash & Interlock



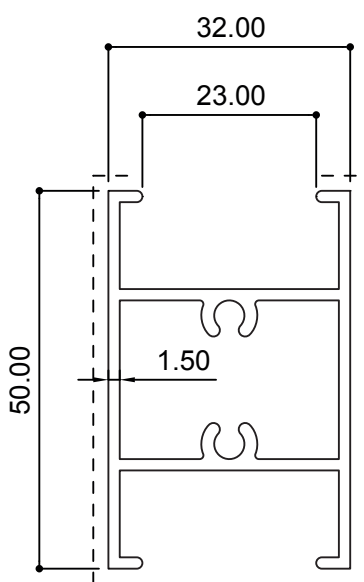
10069
(0.622 Kg/m)



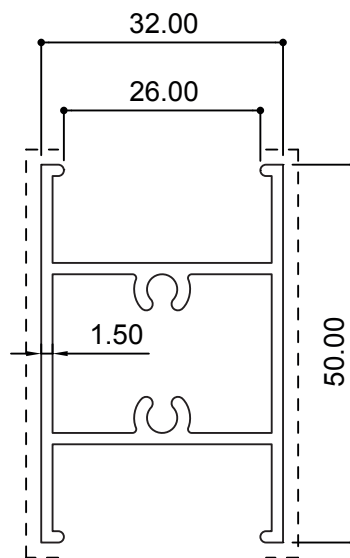
20377
(0.850 Kg/m)



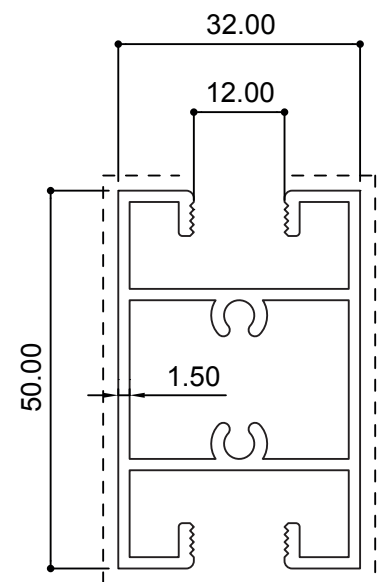
20072
(0.867 Kg/m)



22856
(0.781 Kg/m)



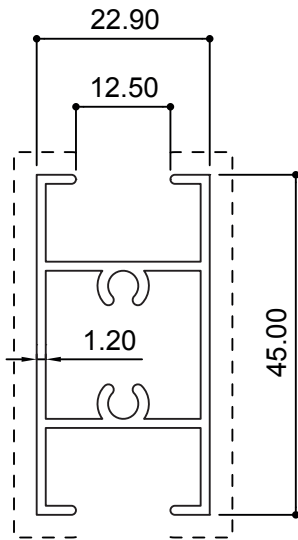
24627
(0.756 Kg/m)



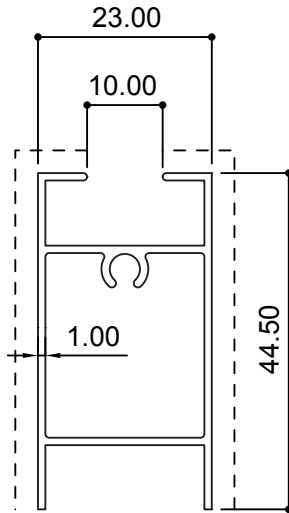
20300
(0.973 Kg/m)

* For export, not recommended for GCC usage

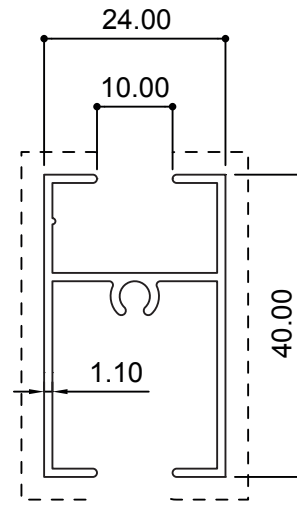
Sash & Interlock



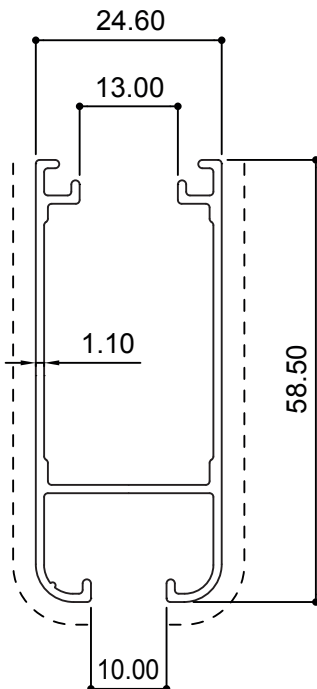
21521
(0.549 Kg/m)



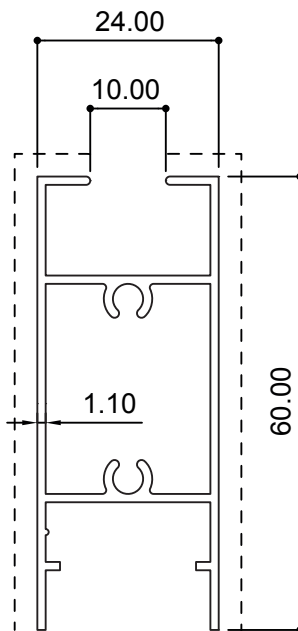
22379 *
(0.408 Kg/m)



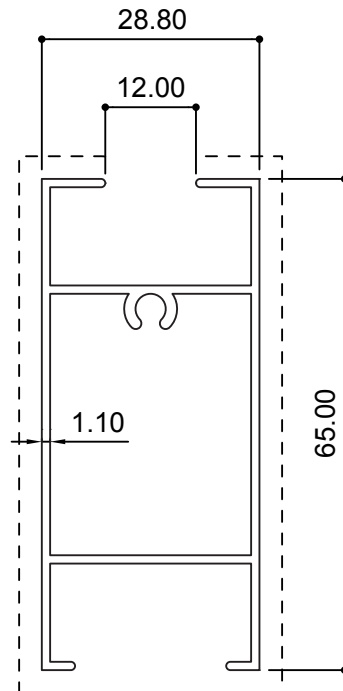
55005 *
(0.405 Kg/m)



55044 *
(0.517 Kg/m)



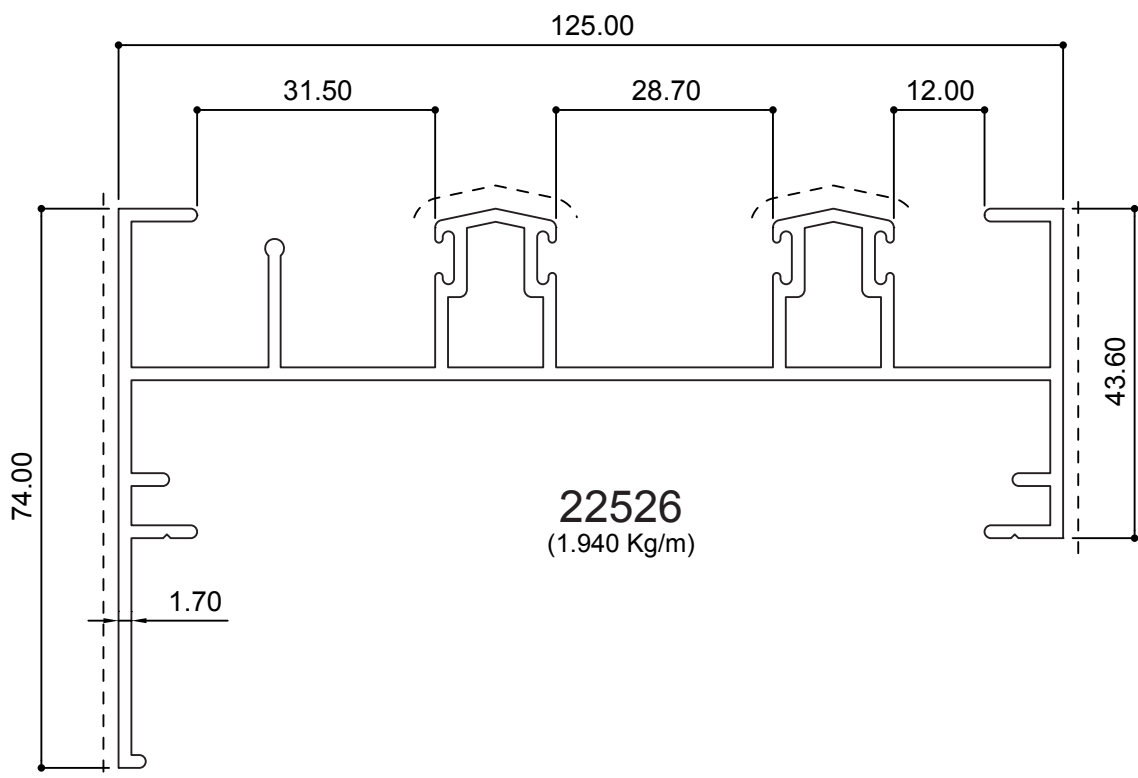
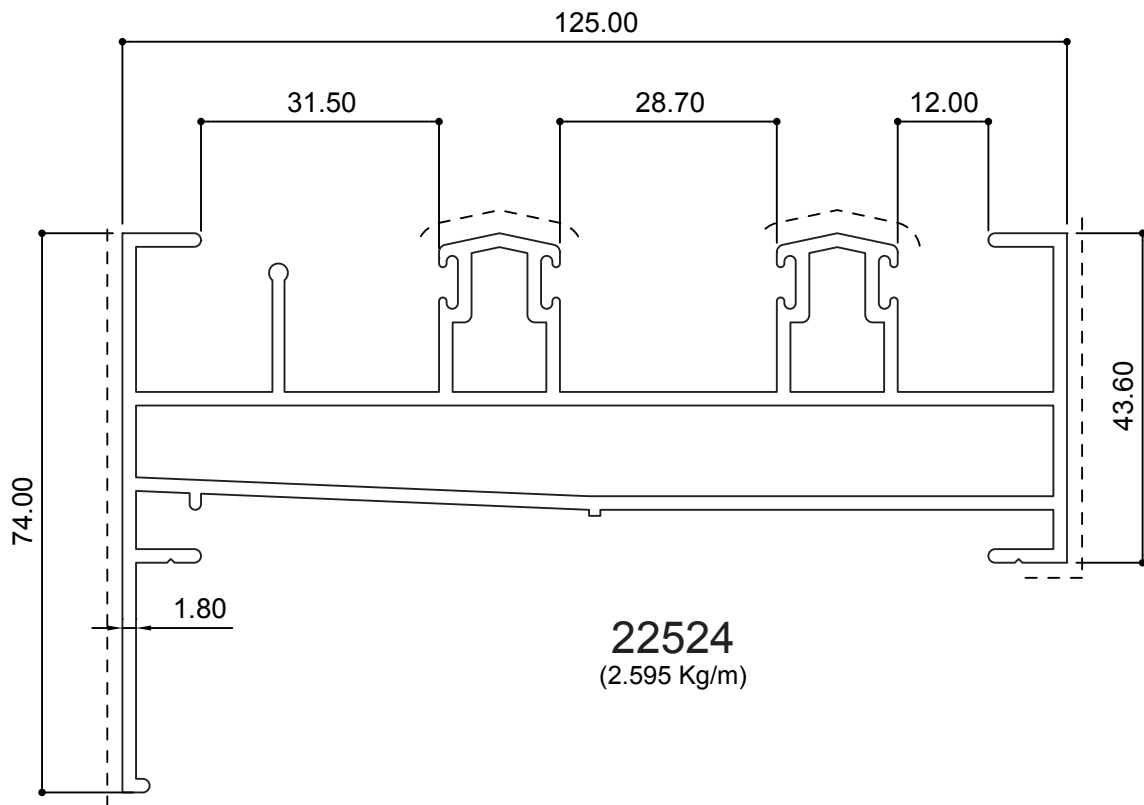
50015 *
(0.598 Kg/m)



22655 *
(0.646 Kg/m)

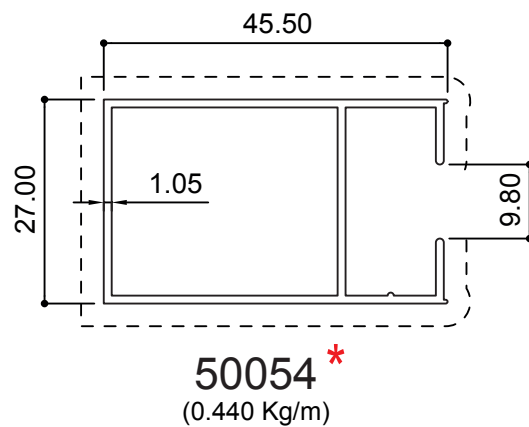
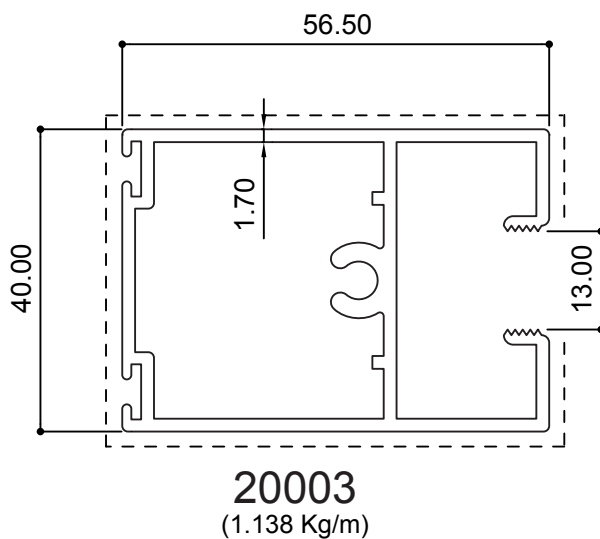
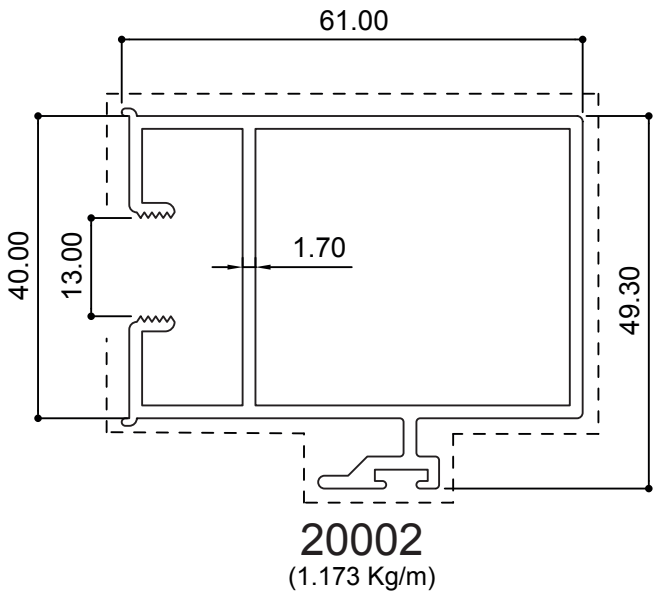
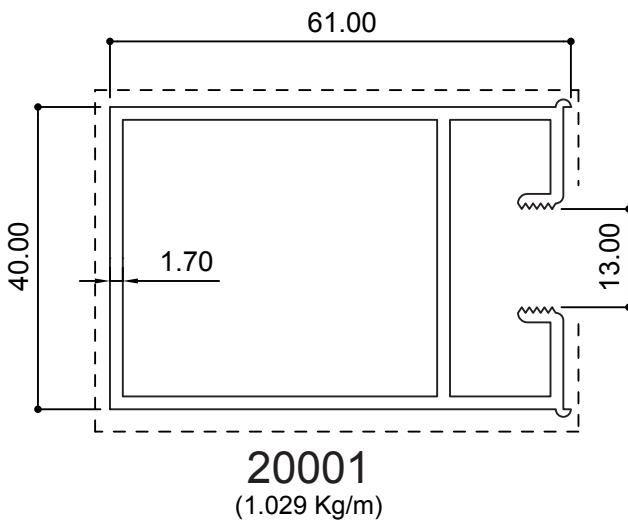
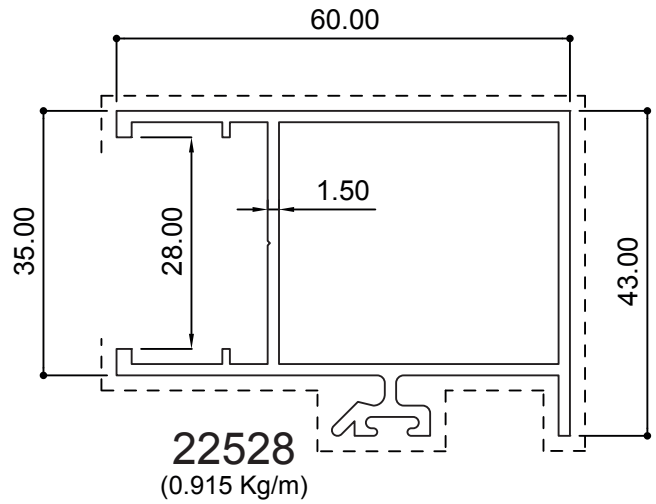
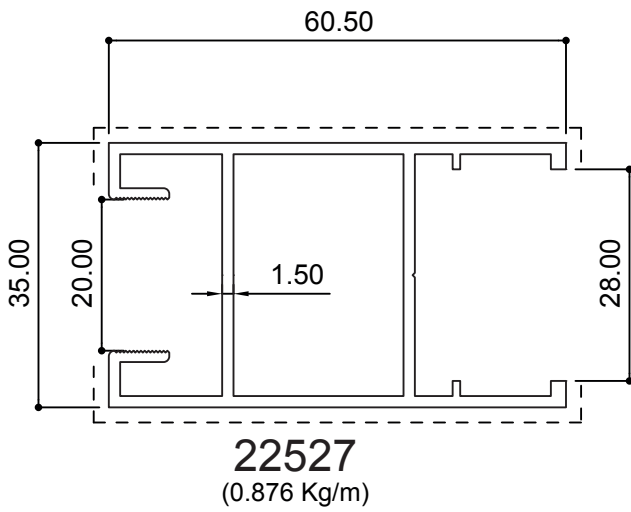
* For export, not recommended for GCC usage

Sliding Profiles



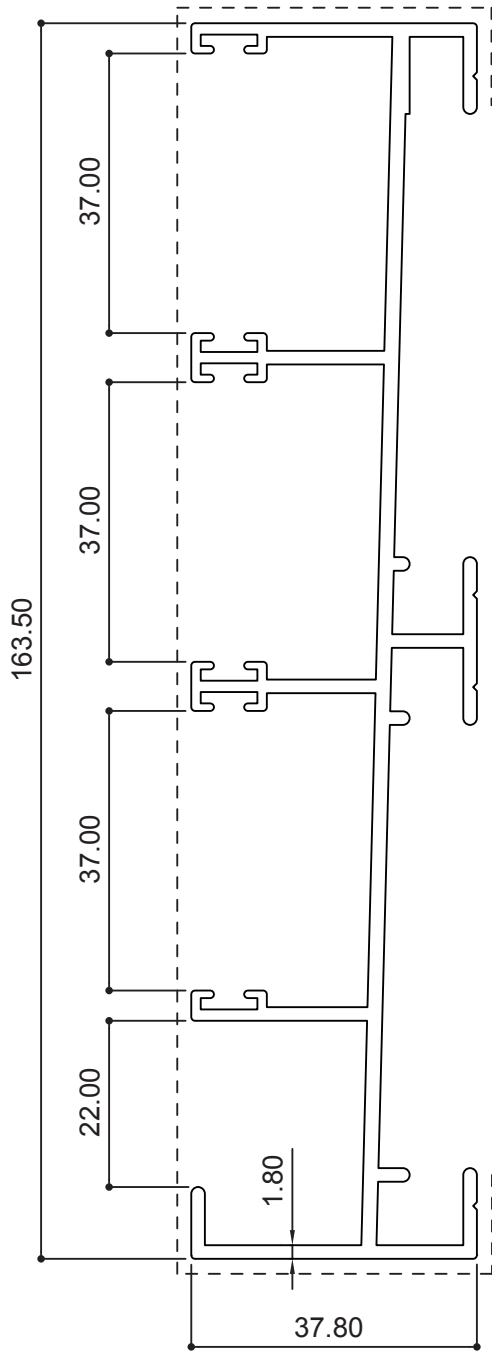
* For export, not recommended for GCC usage

Sash & Interlock

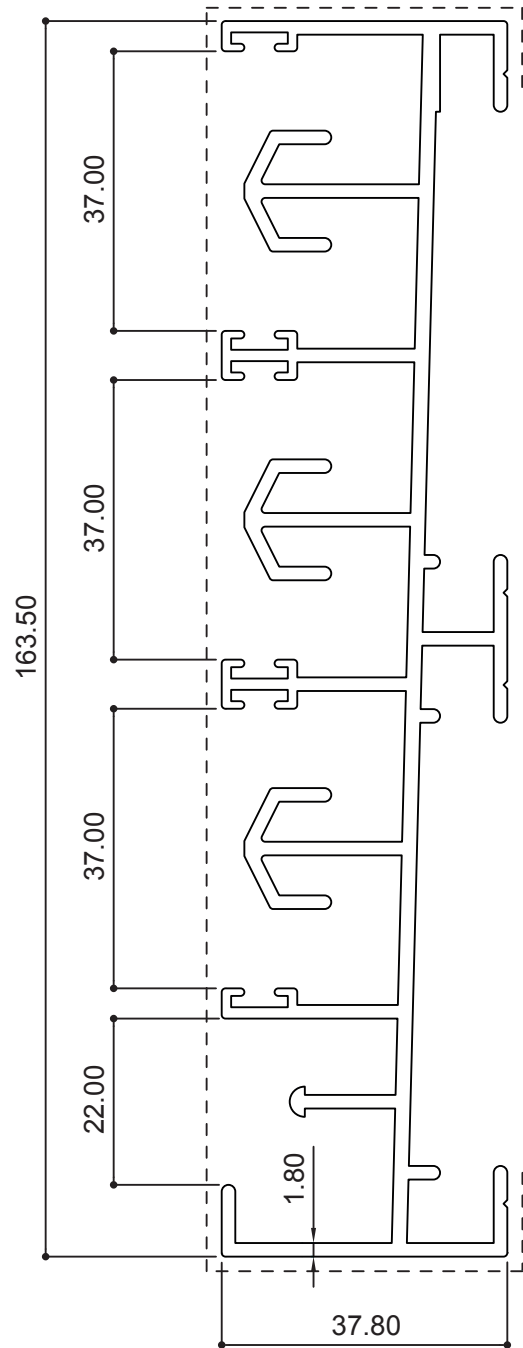


* For export, not recommended for GCC usage

Sliding Profiles



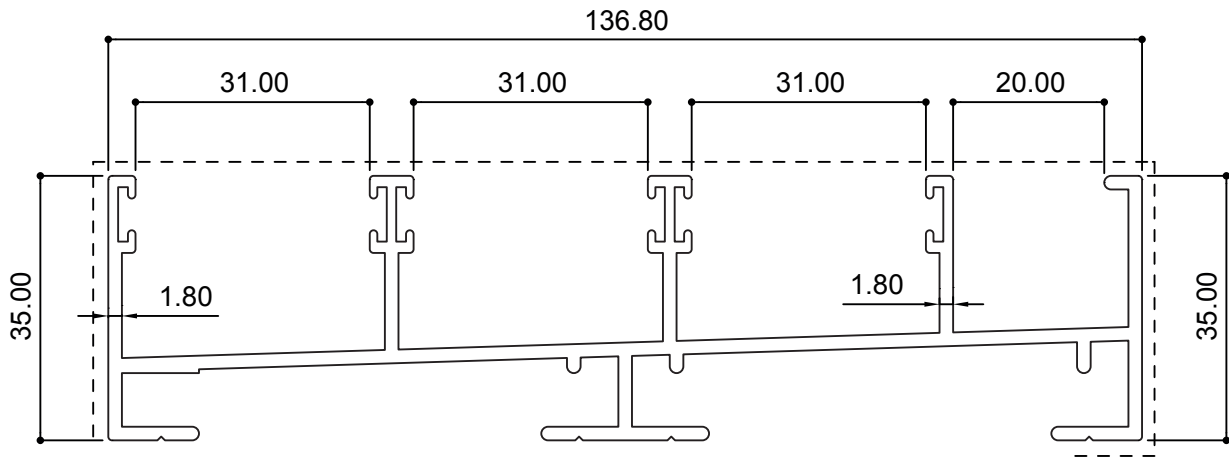
14068
(2.041 Kg/m)



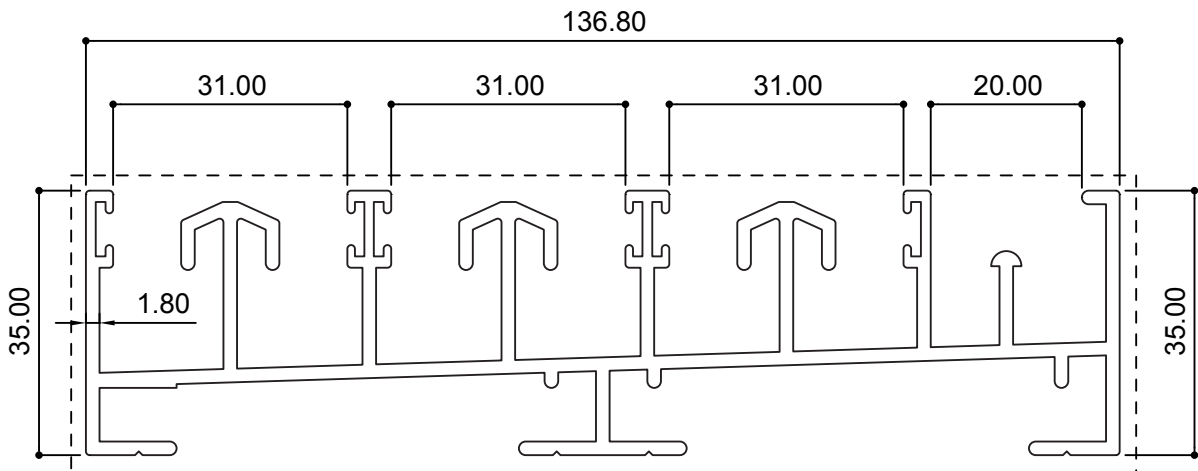
14067
(2.852 Kg/m)

* For export, not recommended for GCC usage

Sliding Profiles



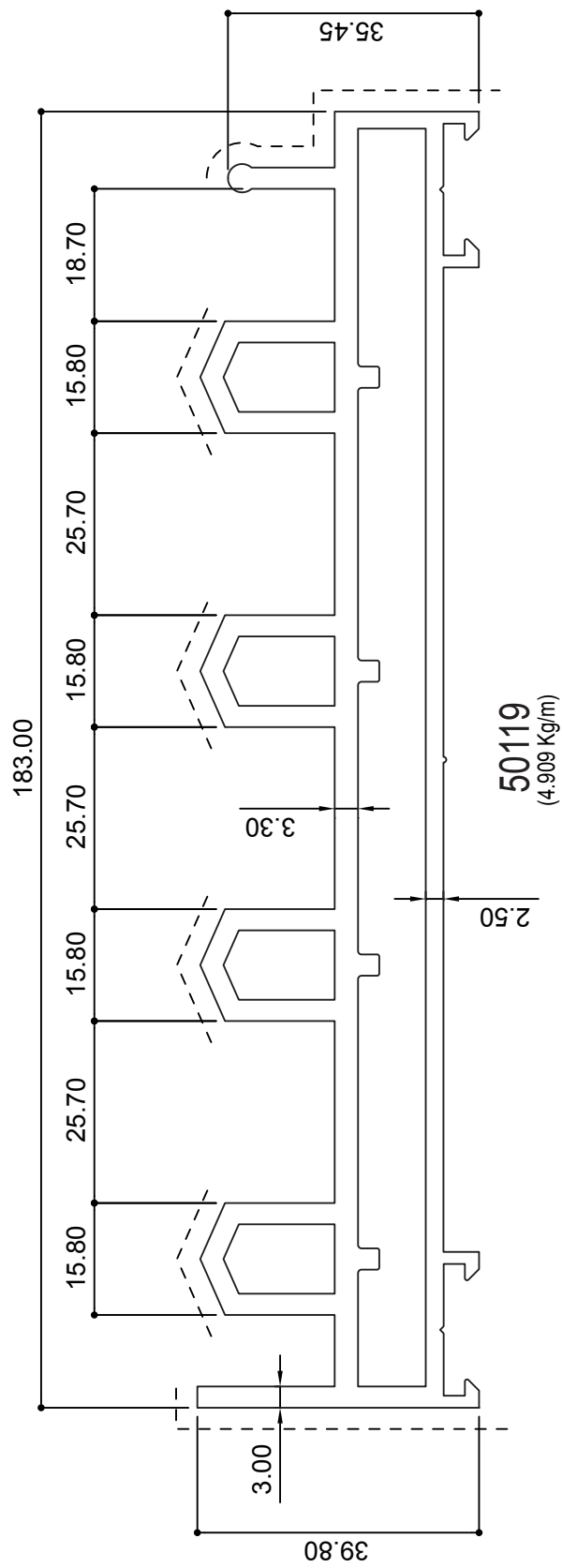
14064
(1.713 Kg/m)



14063
(2.405 Kg/m)

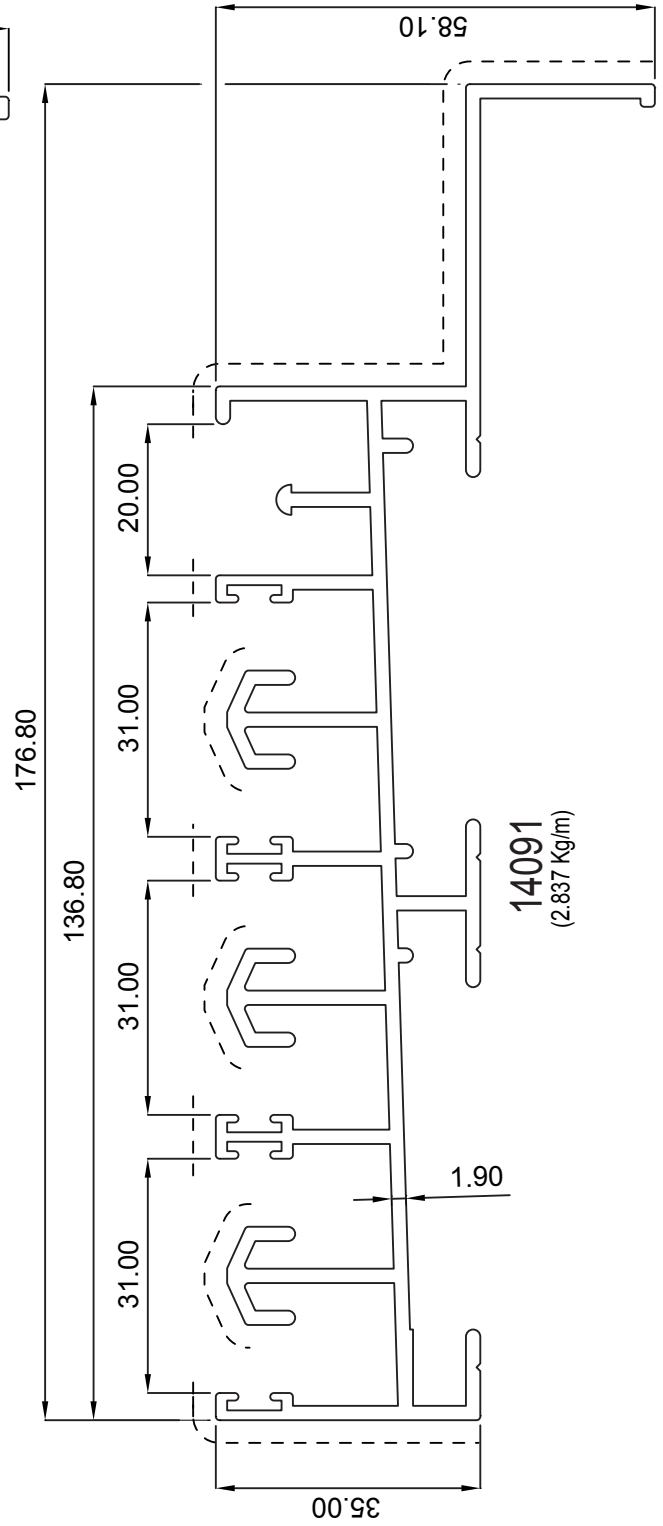
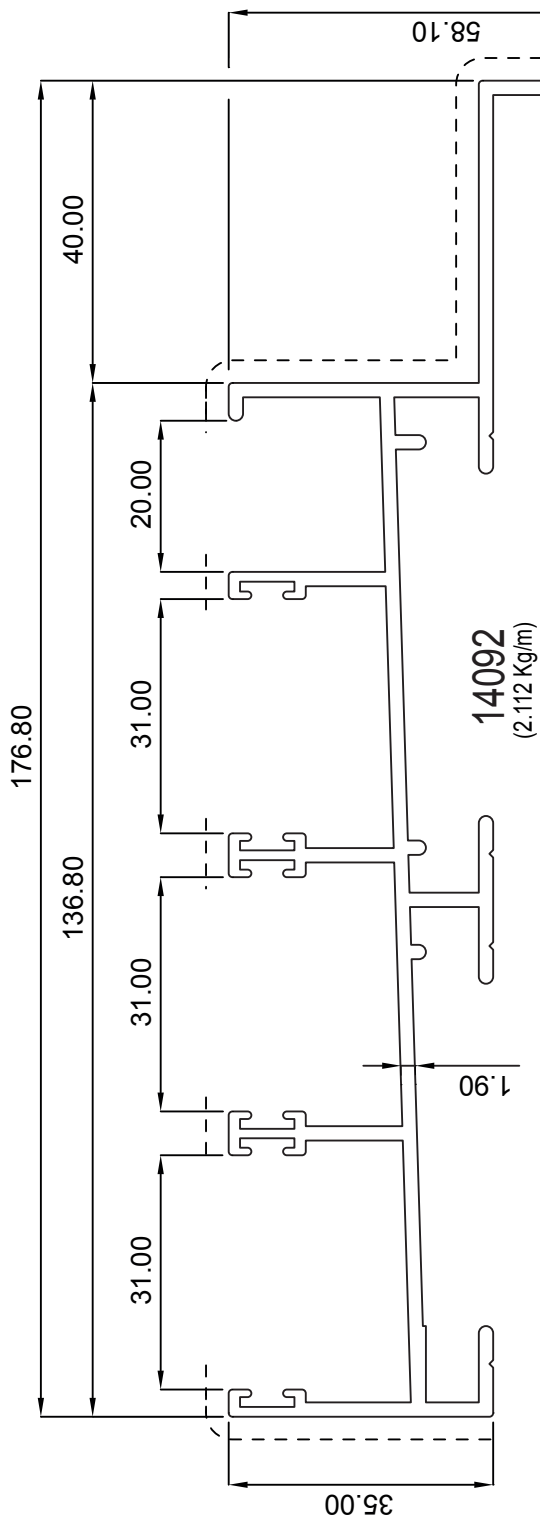
* For export, not recommended for GCC usage

Sliding Profiles



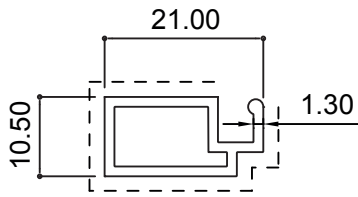
* For export, not recommended for GCC usage

Sliding Profiles

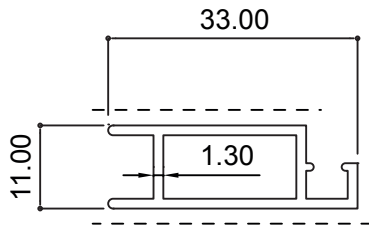


* For export, not recommended for GCC usage

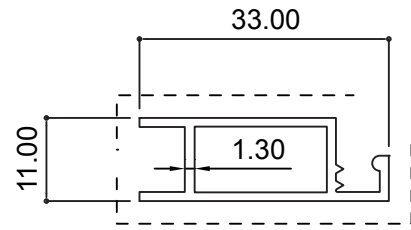
Flyscreen



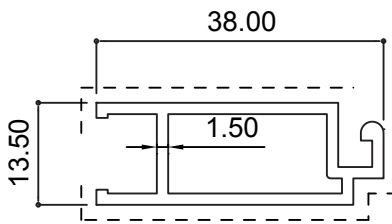
20145
(0.232 Kg/m)



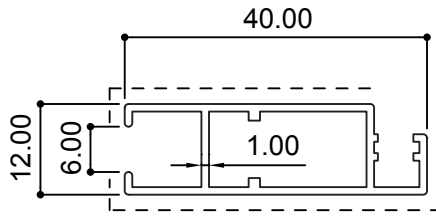
20529
(0.285 Kg/m)



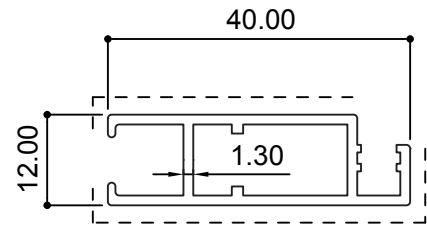
21789
(0.267 Kg/m)



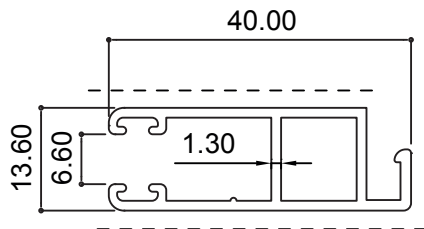
20067
(0.414 Kg/m)



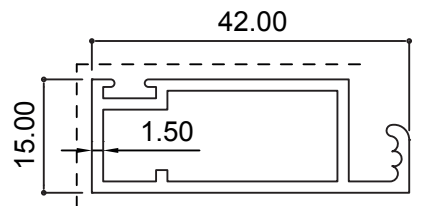
24624*
(0.296 Kg/m)



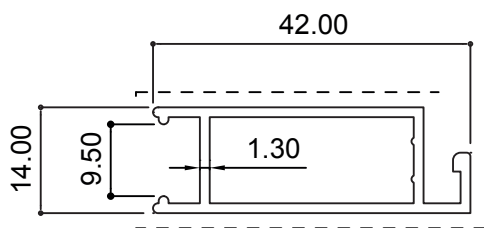
20394
(0.369 Kg/m)



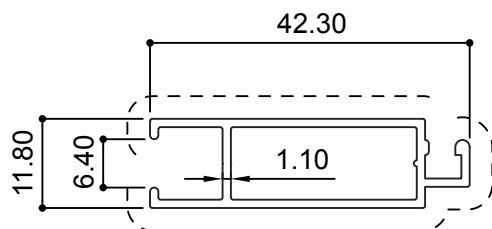
50005
(0.400 Kg/m)



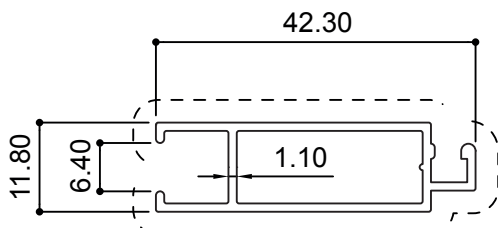
20166
(0.470 Kg/m)



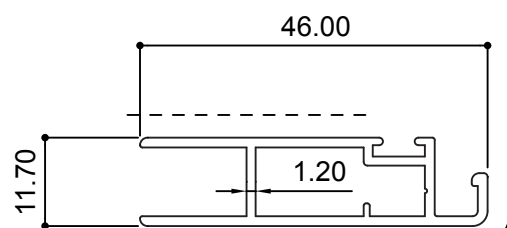
20083
(0.396 Kg/m)



50077*
(0.321 Kg/m)



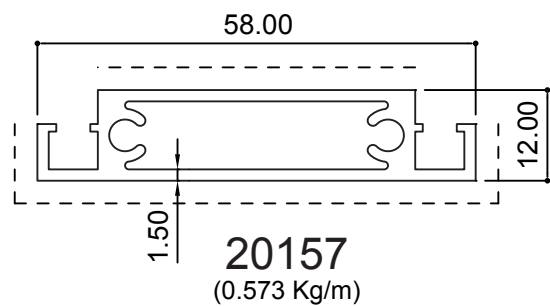
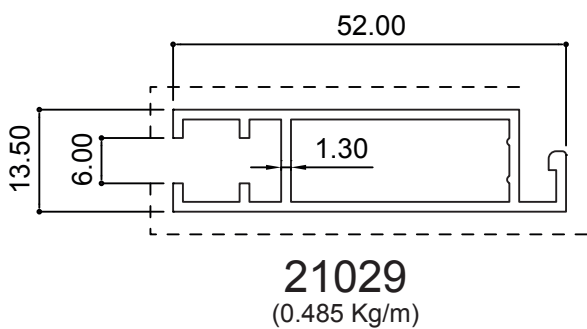
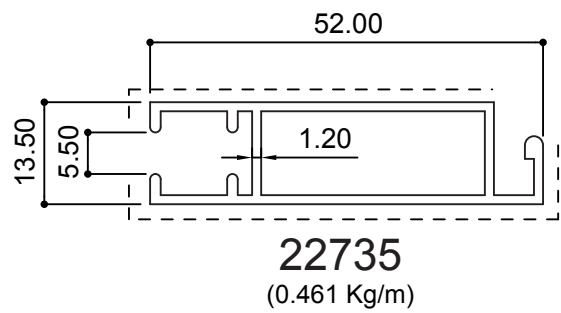
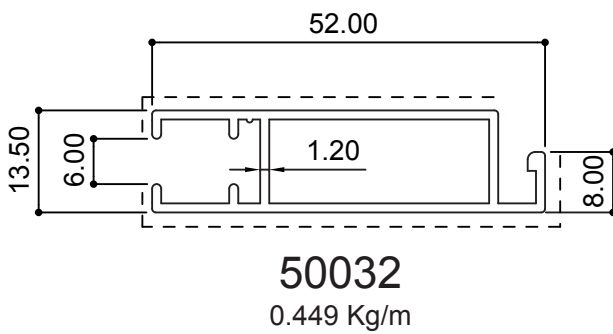
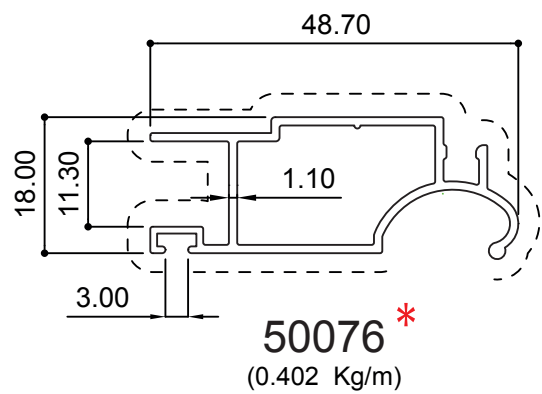
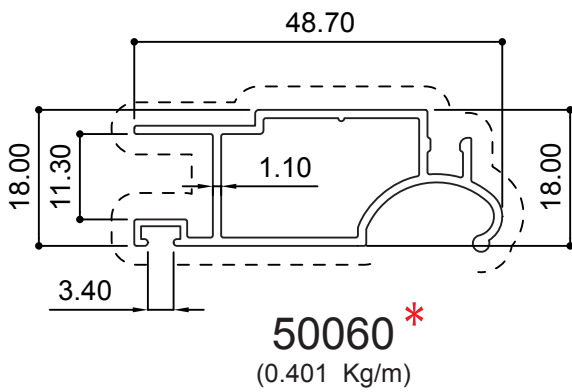
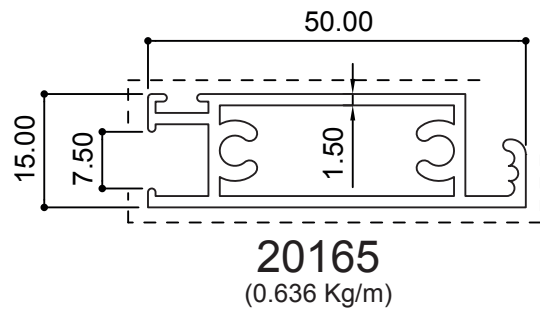
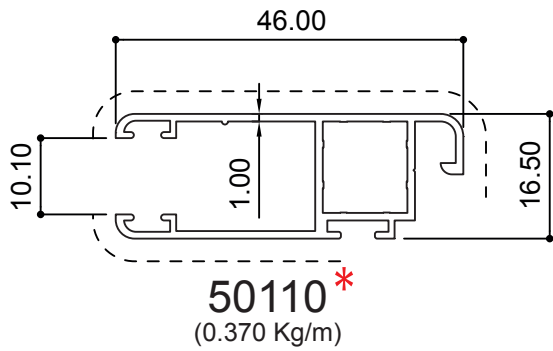
50051*
(0.321 Kg/m)



26730
(0.395 Kg/m)

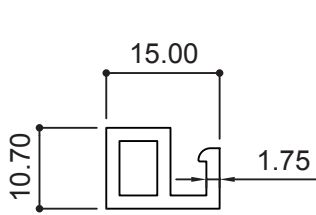
* For export, not recommended for GCC usage

Flyscreen

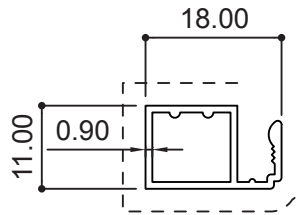


* For export, not recommended for GCC usage

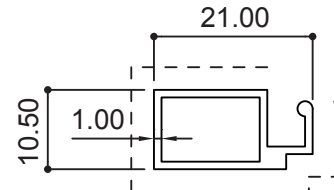
Flyscreen



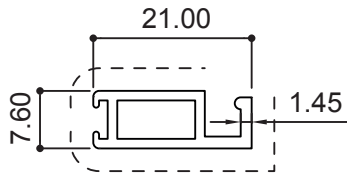
20220
(0.214 Kg/m)



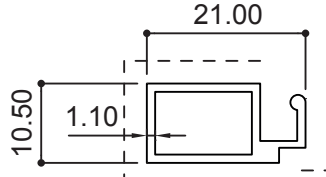
50041*
(0.147 Kg/m)



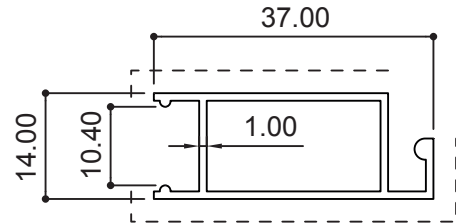
21643*
(0.176 Kg/m)



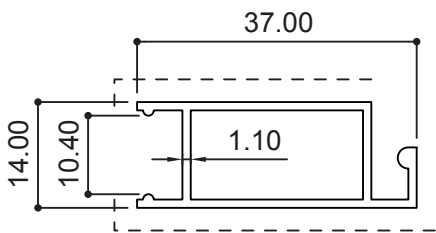
21599
(0.188 Kg/m)



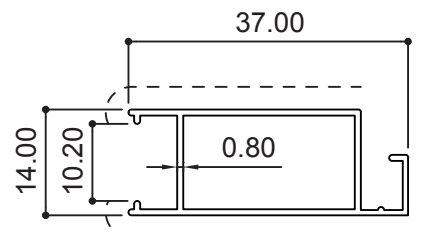
21067*
(0.188 Kg/m)



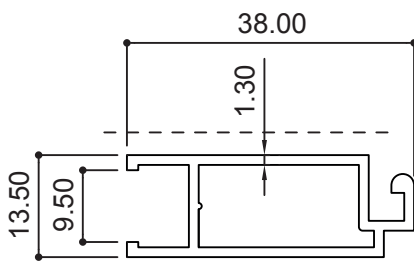
21556*
(0.281 Kg/m)



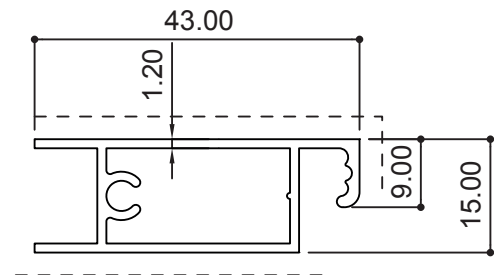
21039*
(0.305Kg/m)



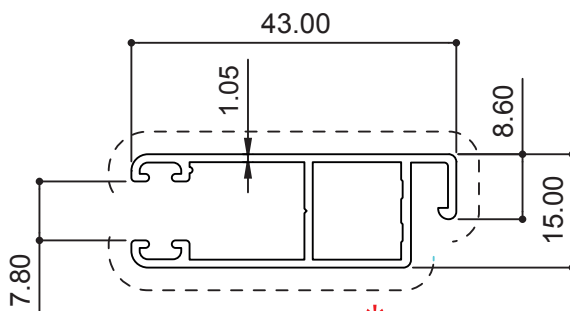
50047*
(0.220 Kg/m)



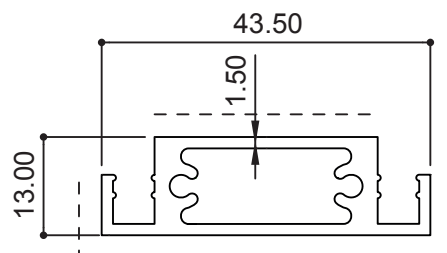
27174
(0.366 Kg/m)



50096
(0.430 Kg/m)



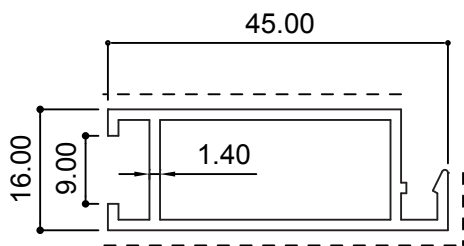
50125*
(0.375 Kg/m)



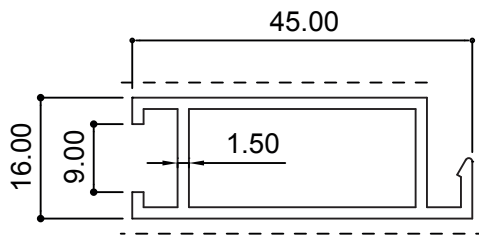
20021
(0.566 Kg/m)

* For export, not recommended for GCC usage

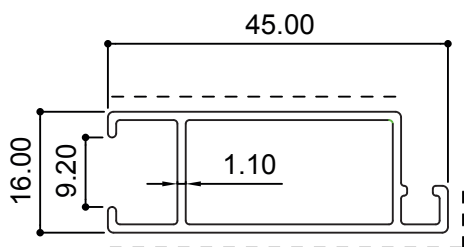
Flyscreen



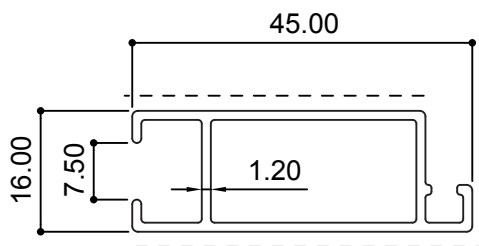
20374
(0.475 Kg/m)



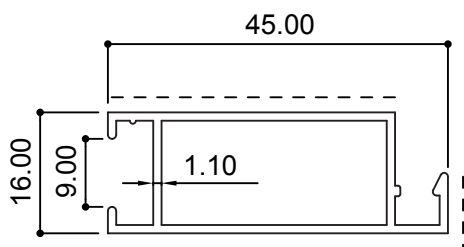
20076
(0.497 Kg/m)



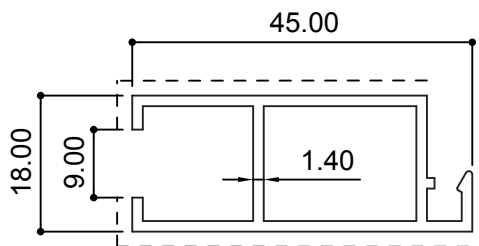
22184 *
(0.365 Kg/m)



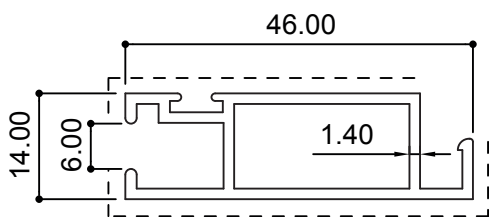
21108
(0.400 Kg/m)



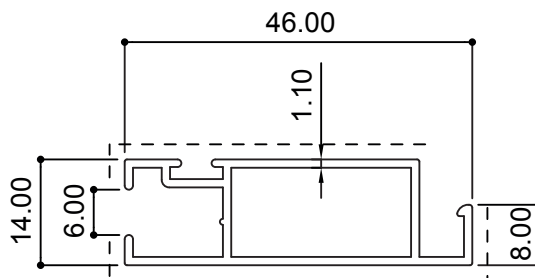
50018 *
(0.369 Kg/m)



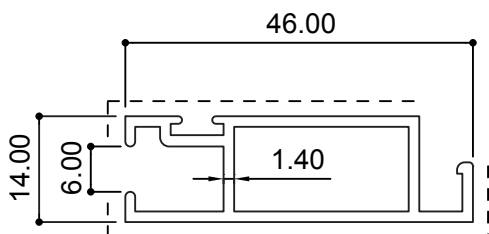
20304
(0.475 Kg/m)



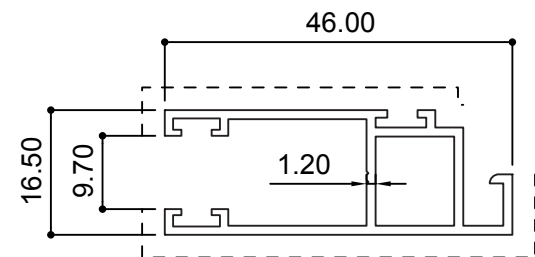
20336
(0.460 Kg/m)



50037 *
(0.377 Kg/m)



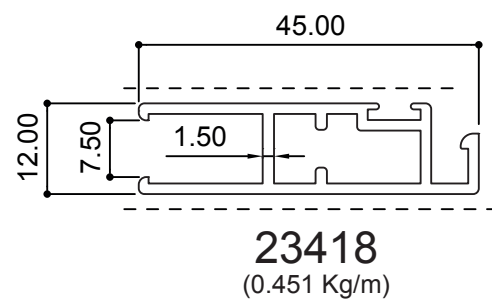
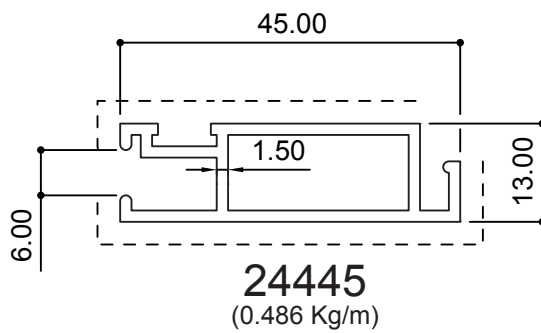
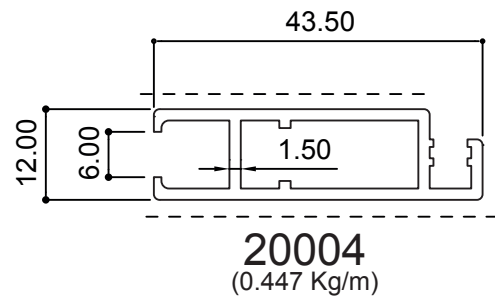
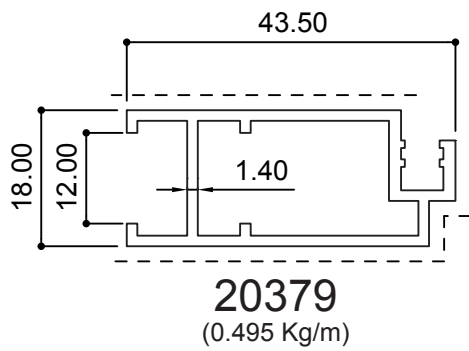
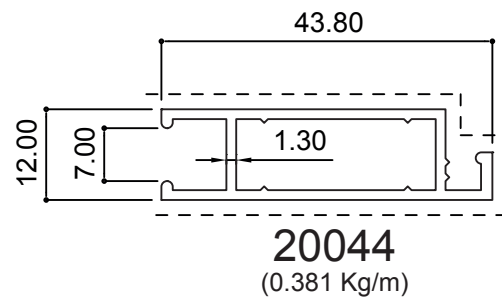
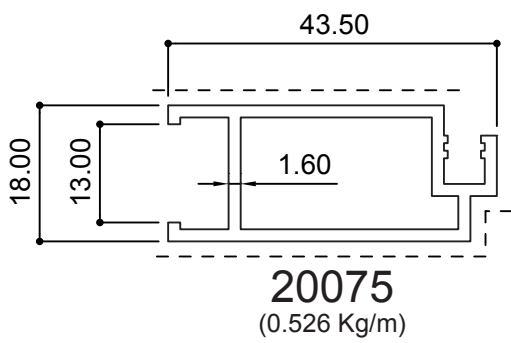
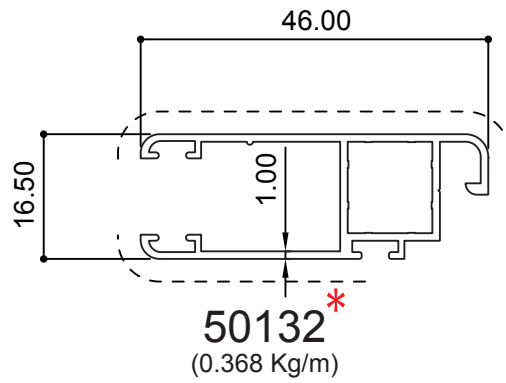
22530
(0.439 Kg/m)



22159
(0.435 Kg/m)

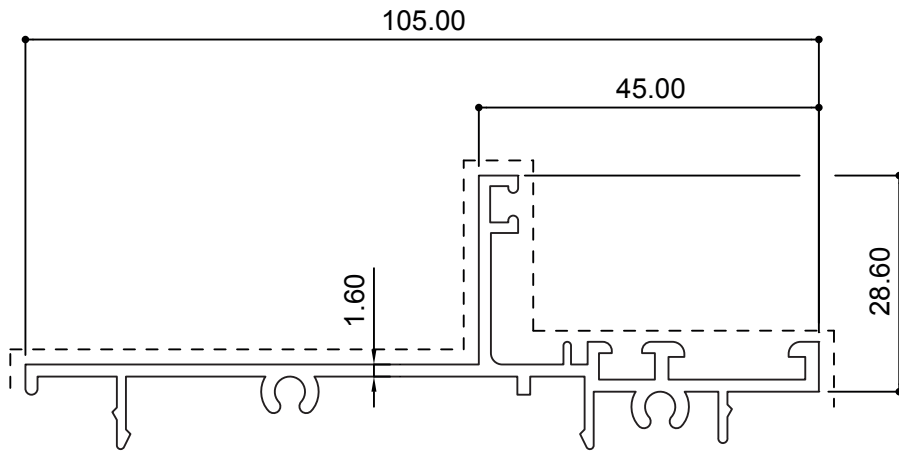
* For export, not recommended for GCC usage

Flyscreen

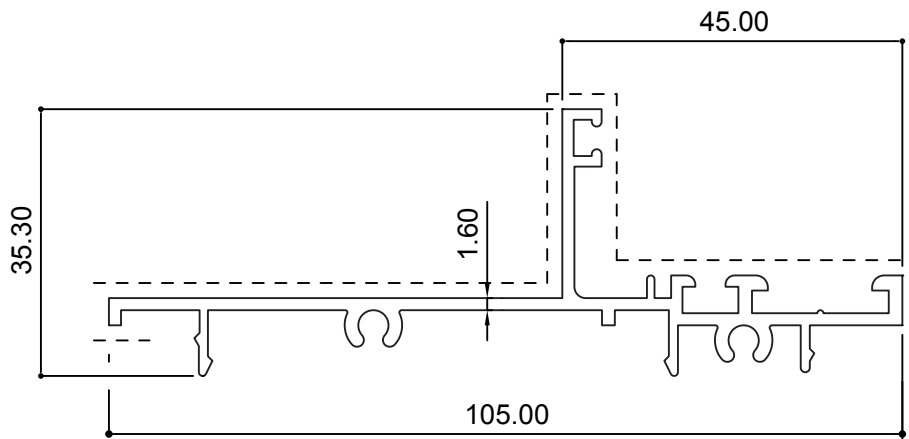


* For export, not recommended for GCC usage

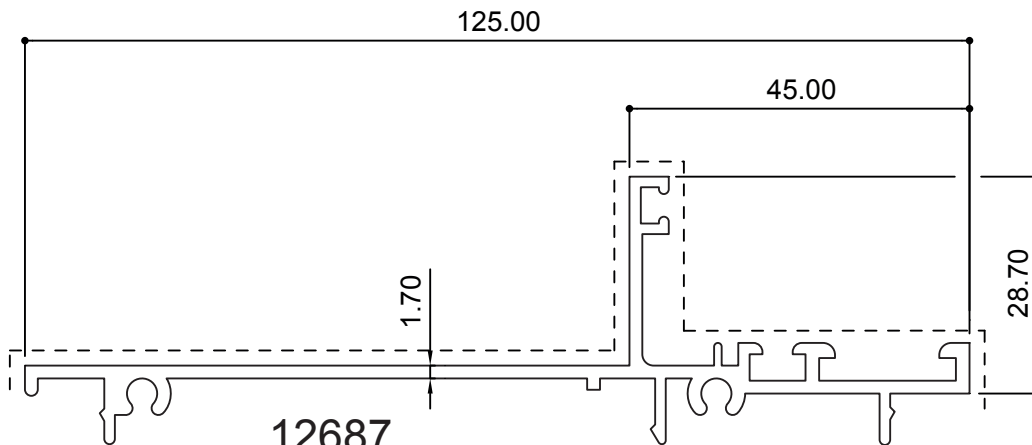
Complementary Profiles



12688
(0.907 Kg/m)



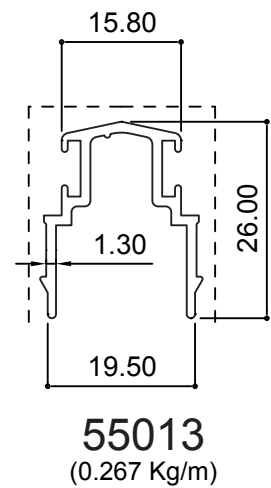
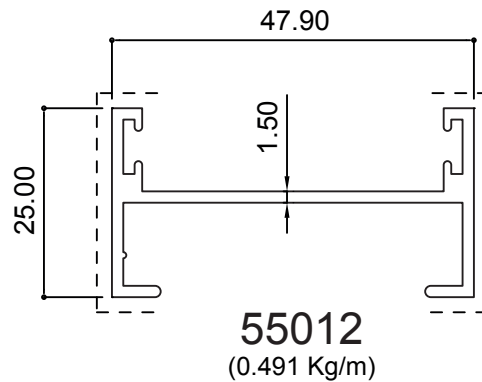
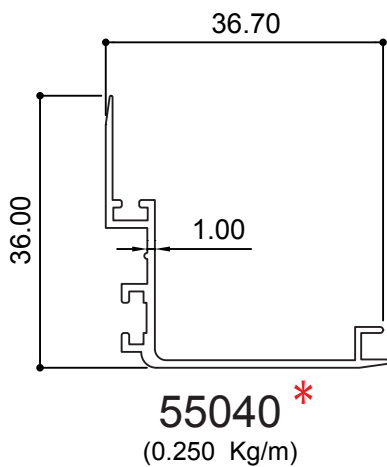
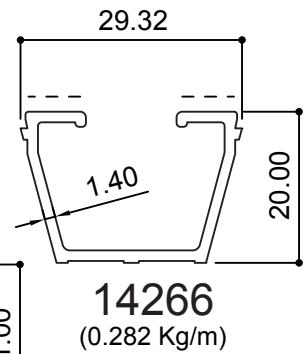
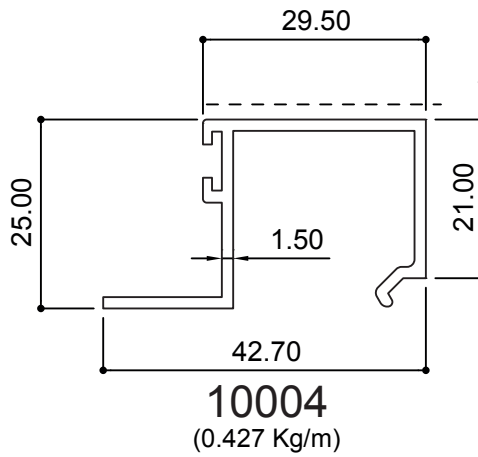
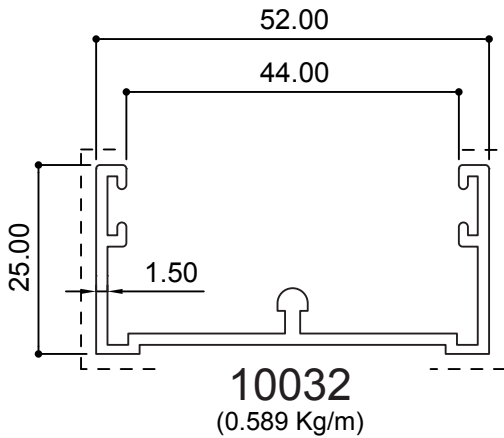
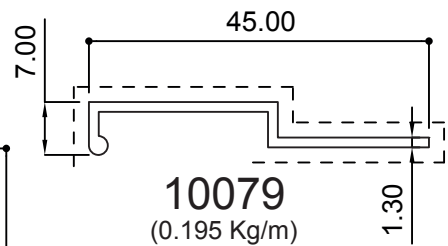
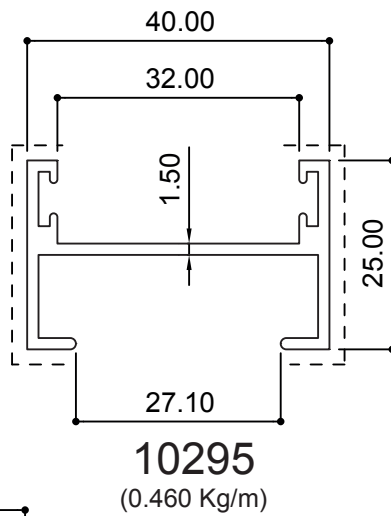
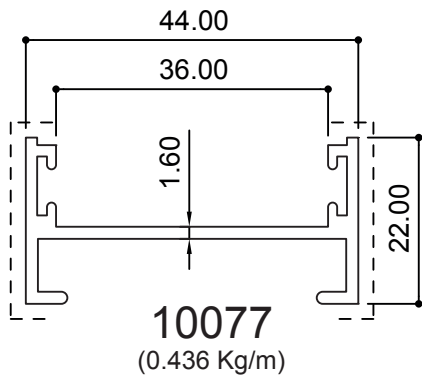
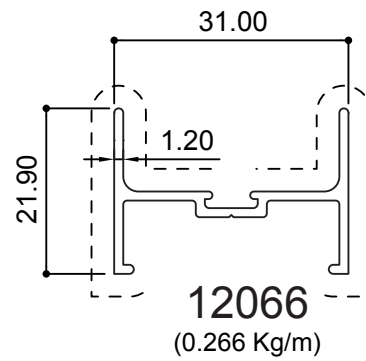
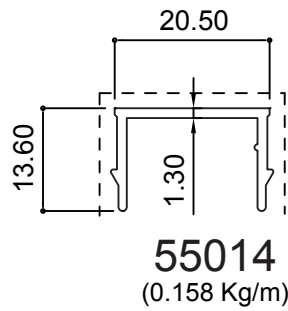
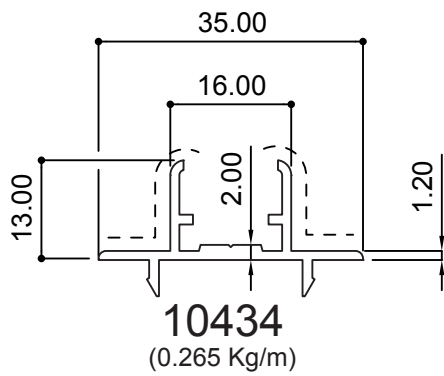
55016
(0.895 Kg/m)



12687
(1.035 Kg/m)

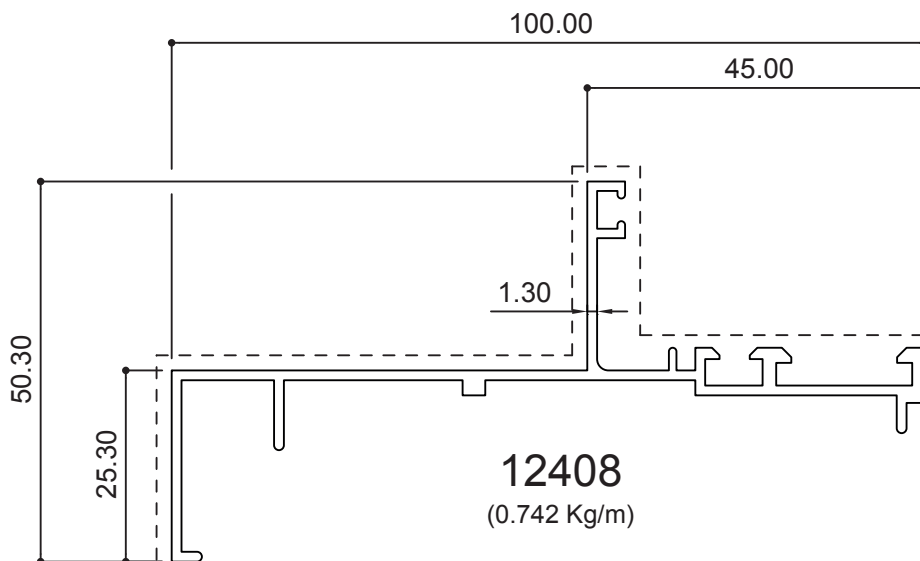
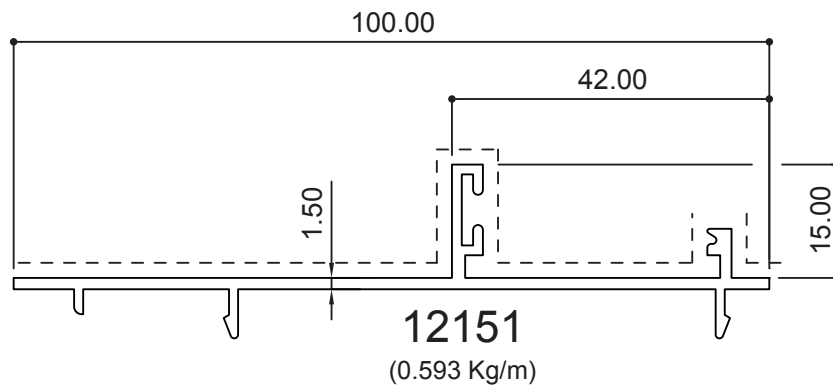
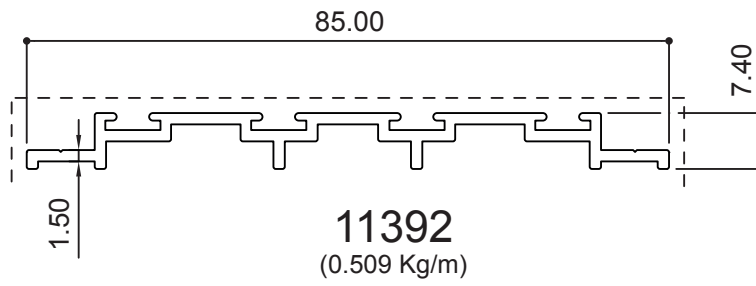
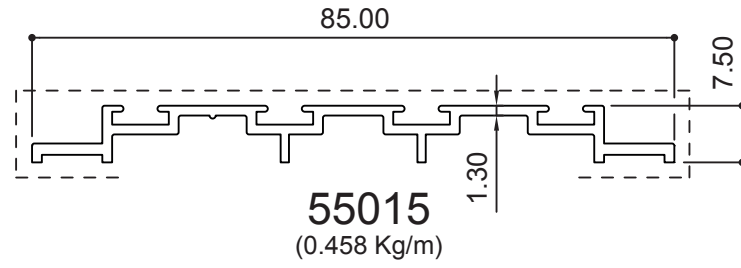
* For export, not recommended for GCC usage

Complementary Profiles



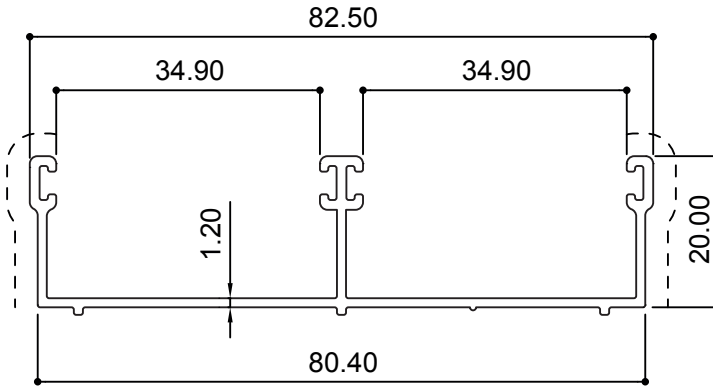
* For export, not recommended for GCC usage

Complementary Profiles

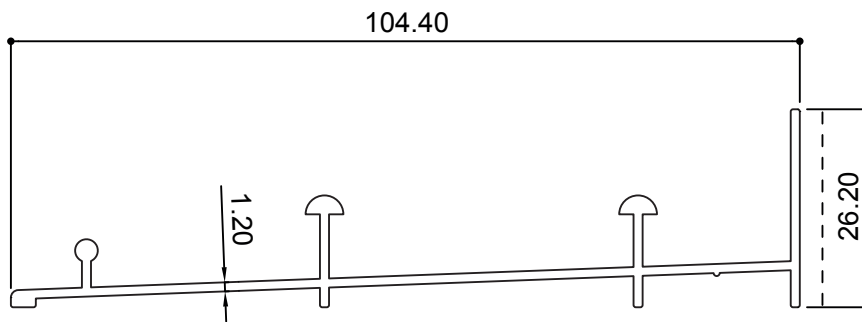


* For export, not recommended for GCC usage

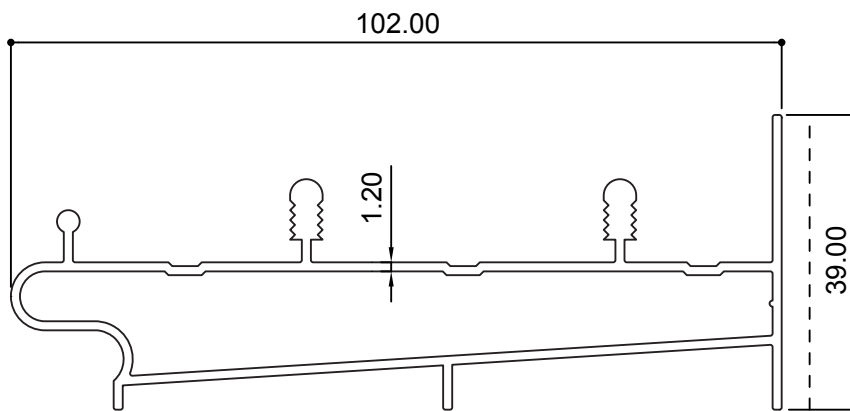
Complementary Profiles



55033
(0.533 Kg/m)



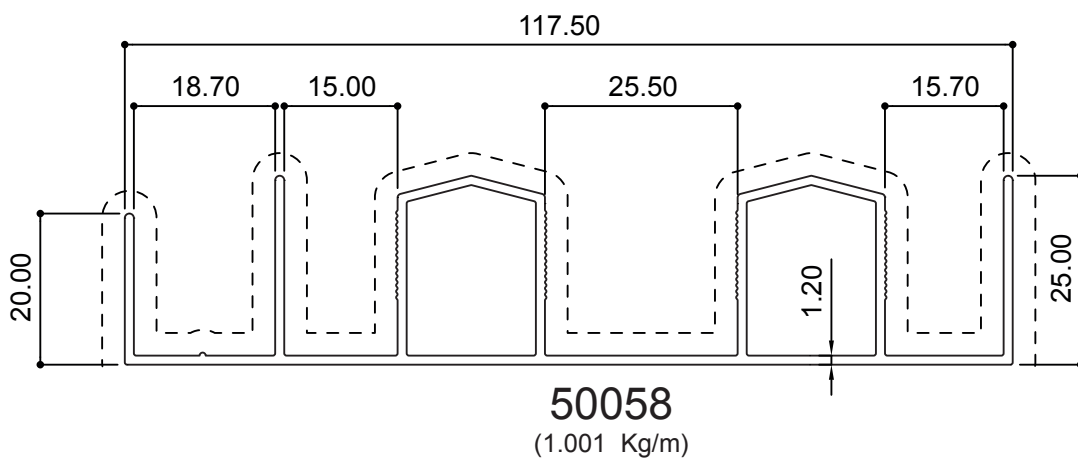
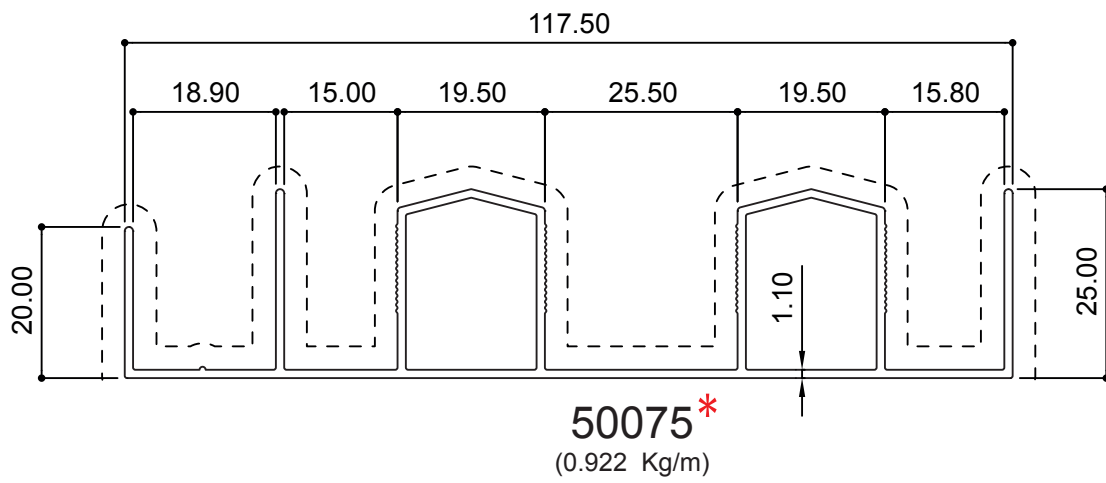
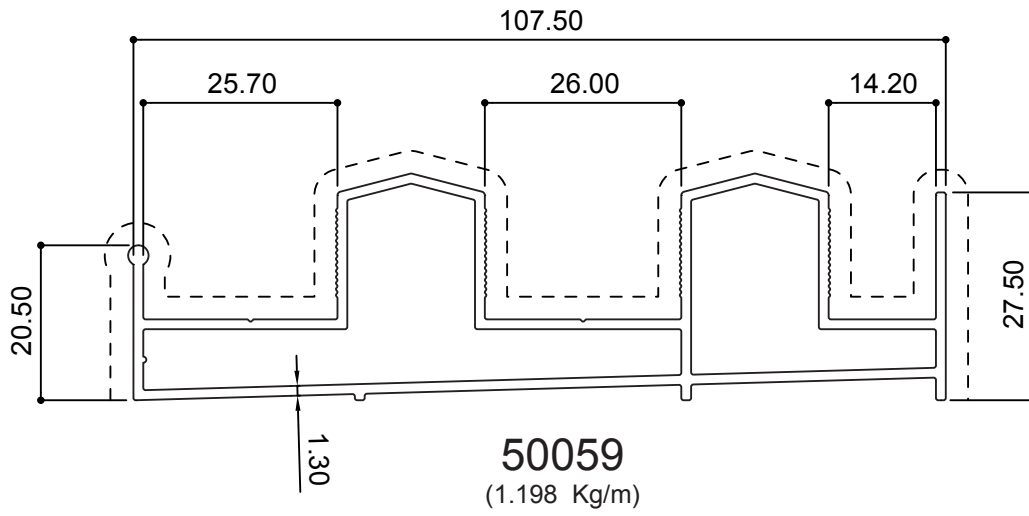
55037
(0.584 Kg/m)



50063
(1.055 Kg/m)

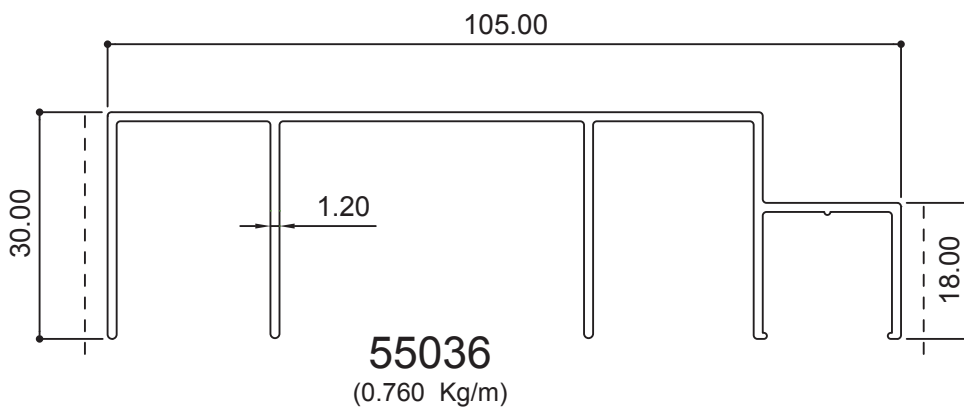
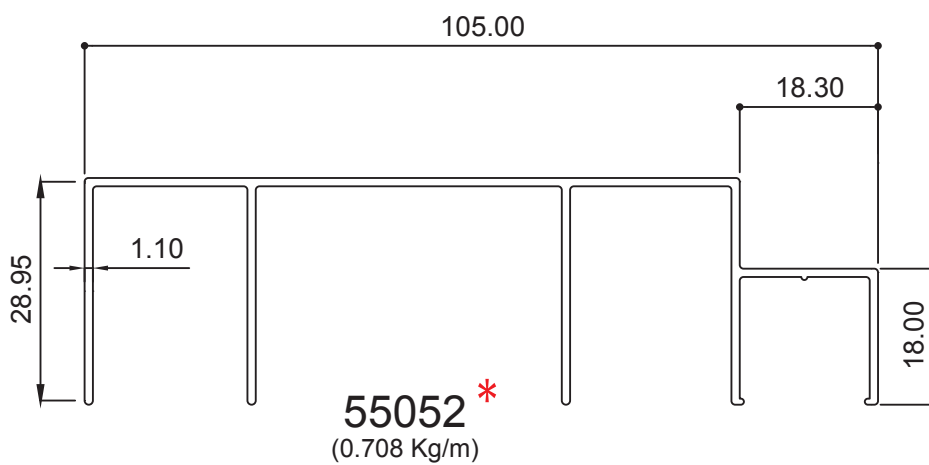
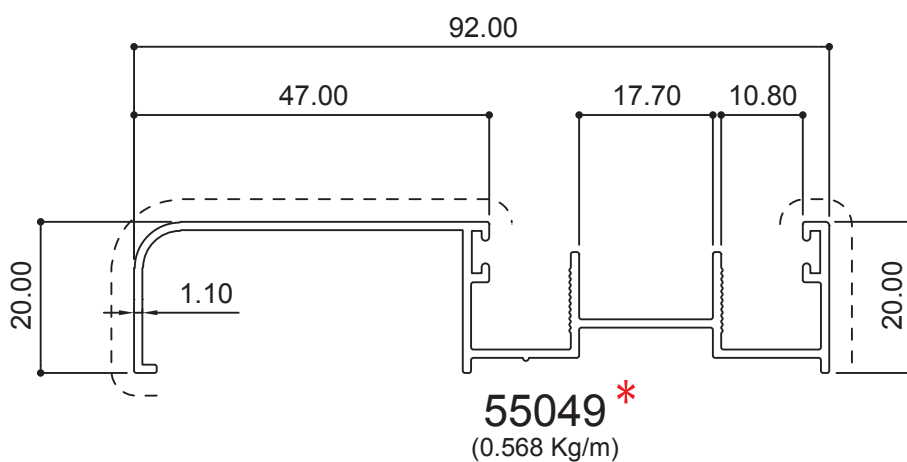
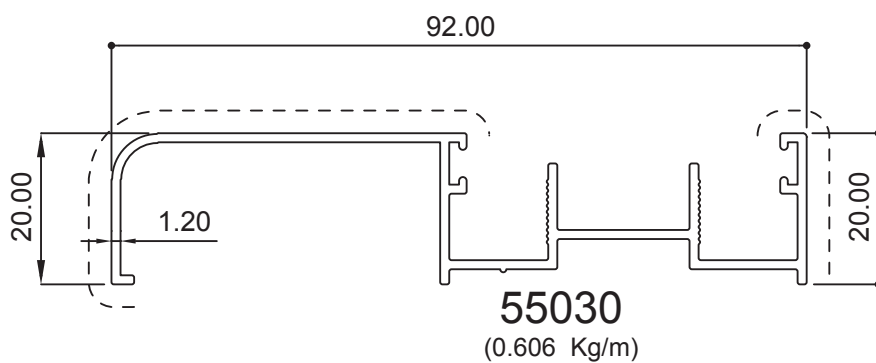
* For export, not recommended for GCC usage

Complementary Profiles



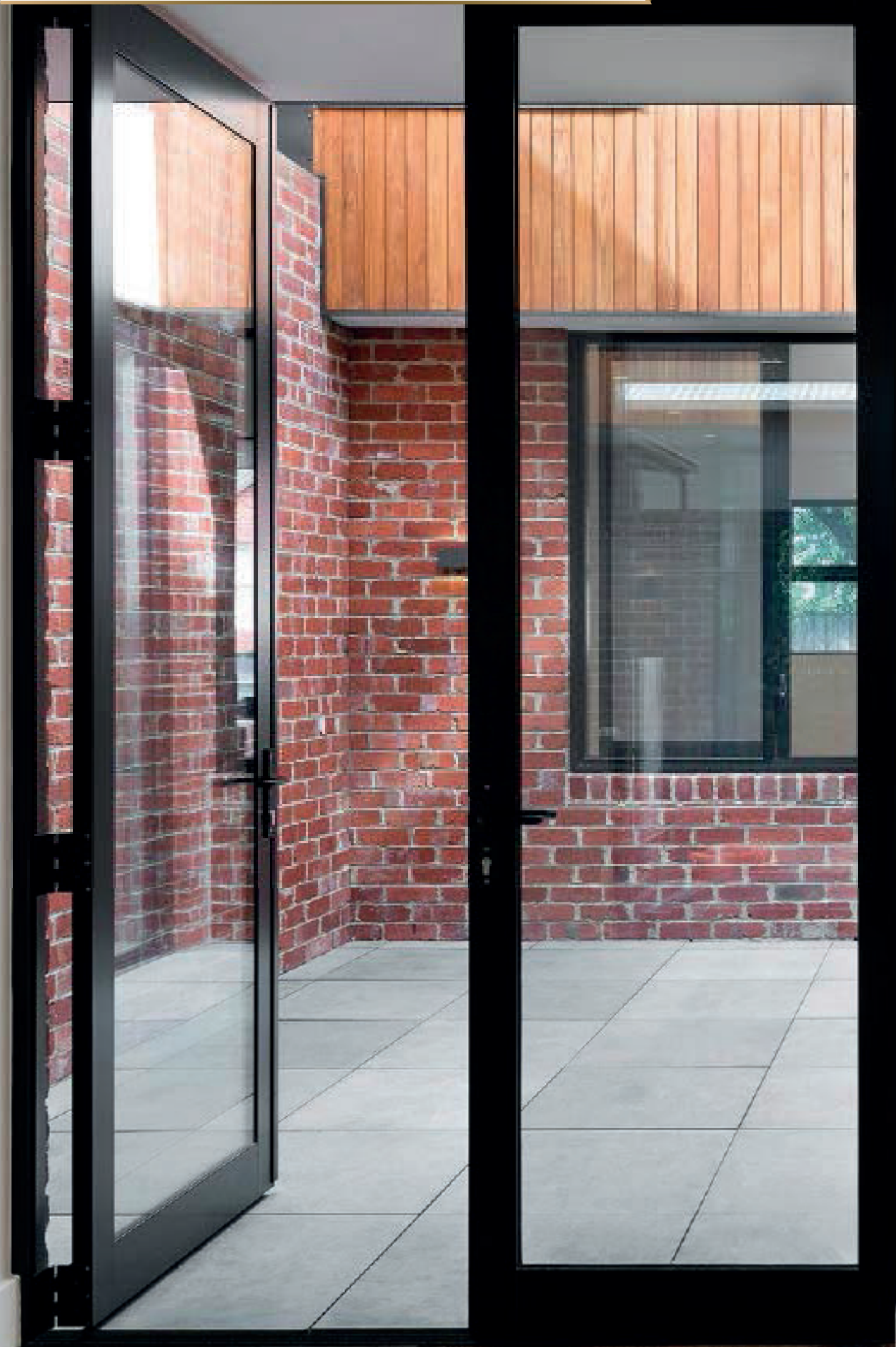
* For export, not recommended for GCC usage

Complementary Profiles

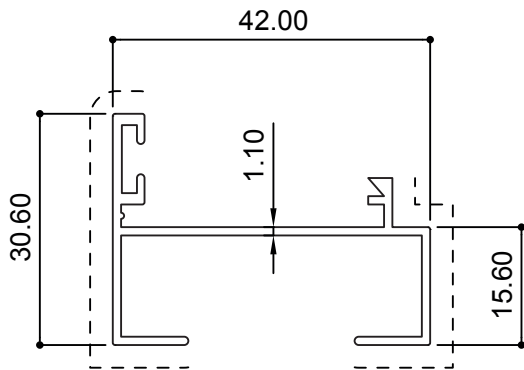


* For export, not recommended for GCC usage

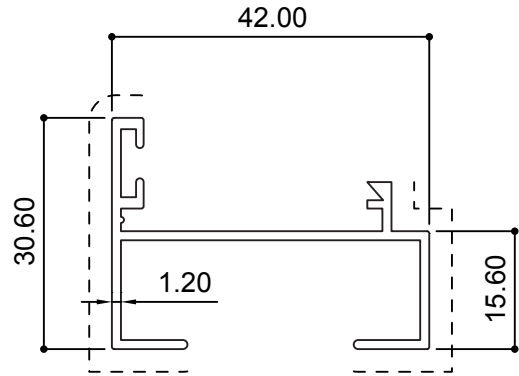
Hinged Doors & Windows



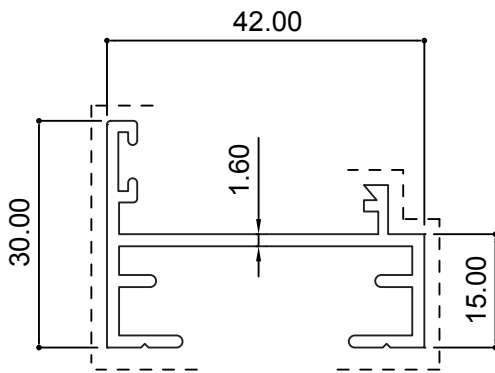
Frame Profiles - 42 mm



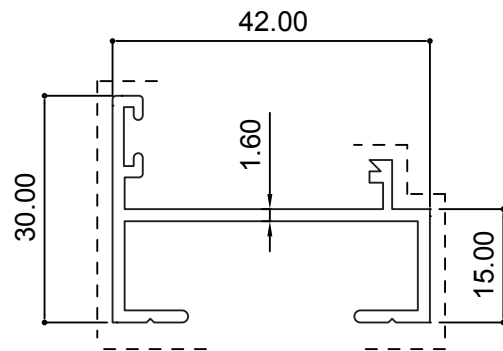
65034 *
(0.387 Kg/m)



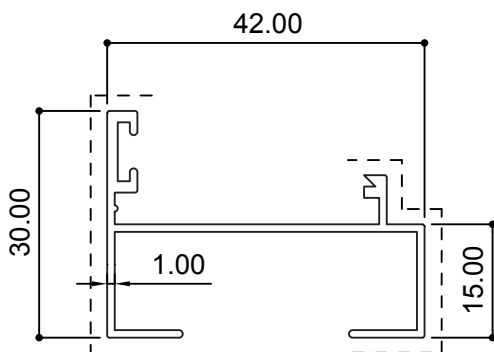
65022
(0.405 Kg/m)



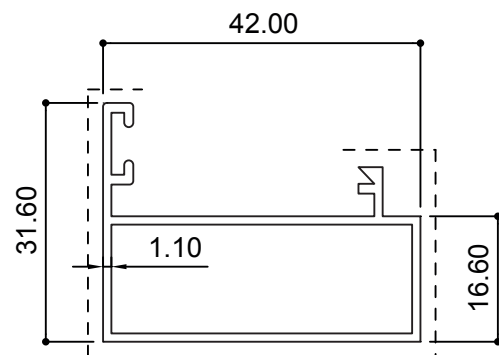
14177
(0.536 Kg/m)



10062
(0.499 Kg/m)



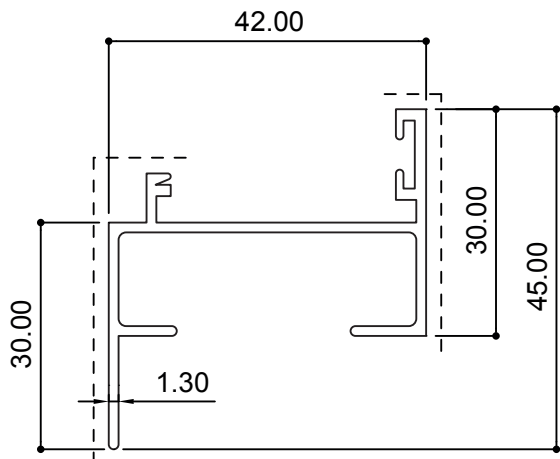
65010 *
(0.350 Kg/m)



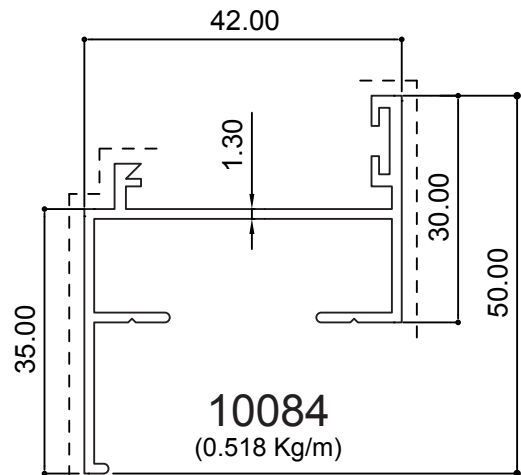
21957 *
(0.444 Kg/m)

* For export, not recommended for GCC usage

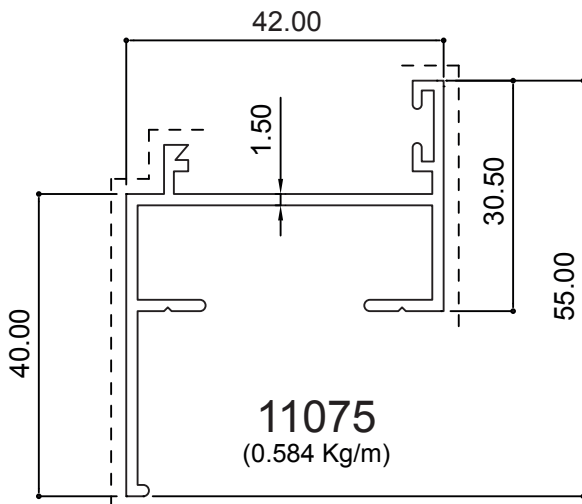
Frame Profiles - 42 mm



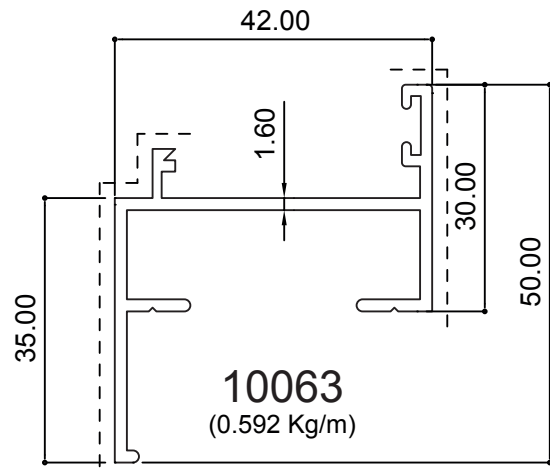
10367
(0.480 Kg/m)



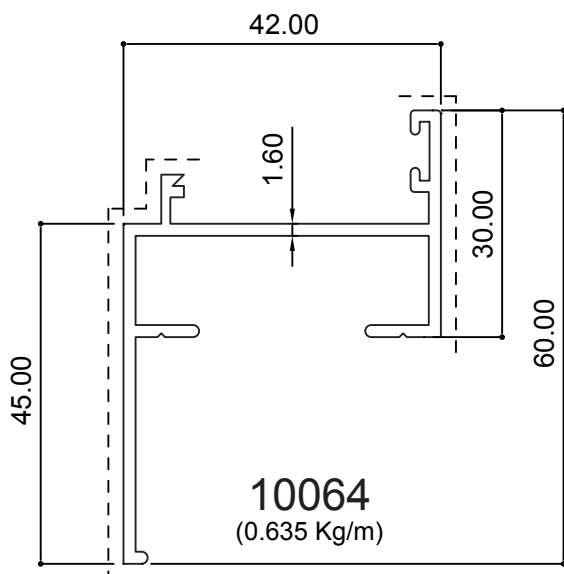
10084
(0.518 Kg/m)



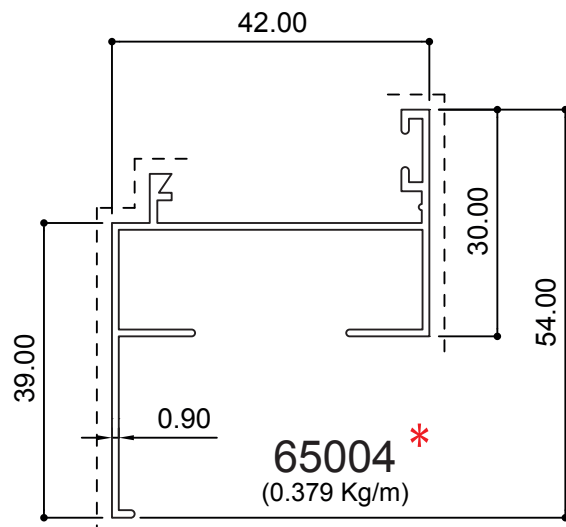
11075
(0.584 Kg/m)



10063
(0.592 Kg/m)



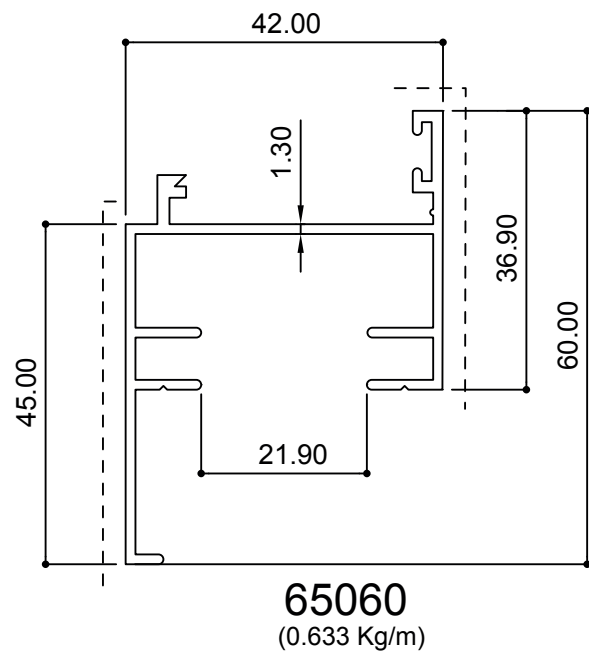
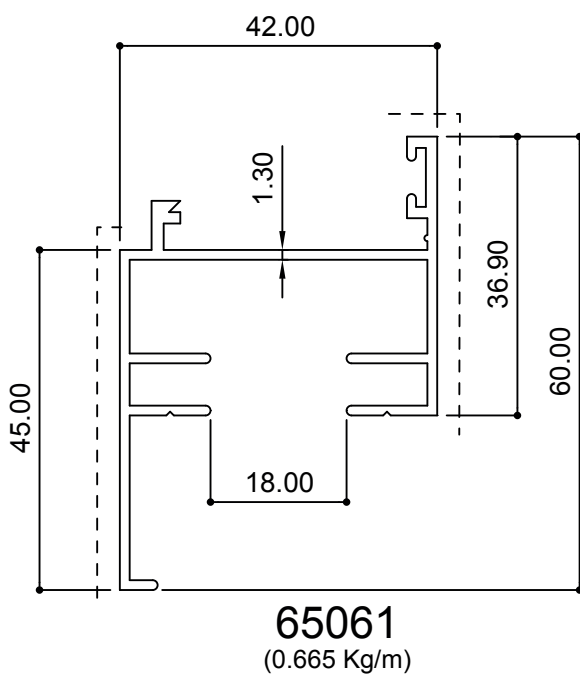
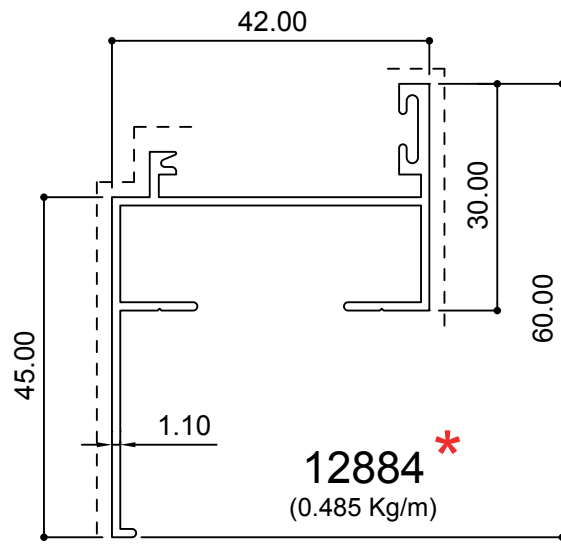
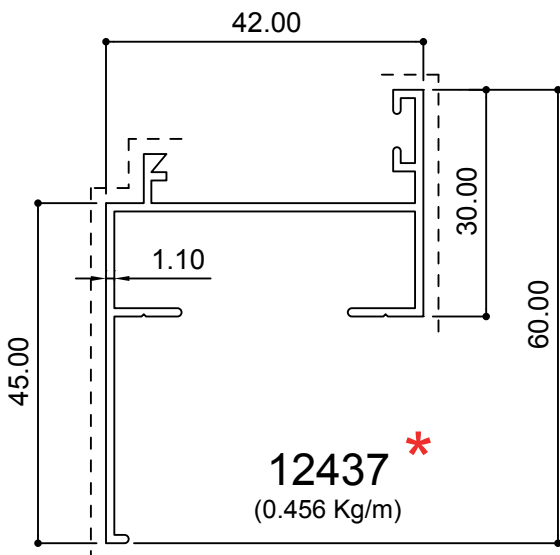
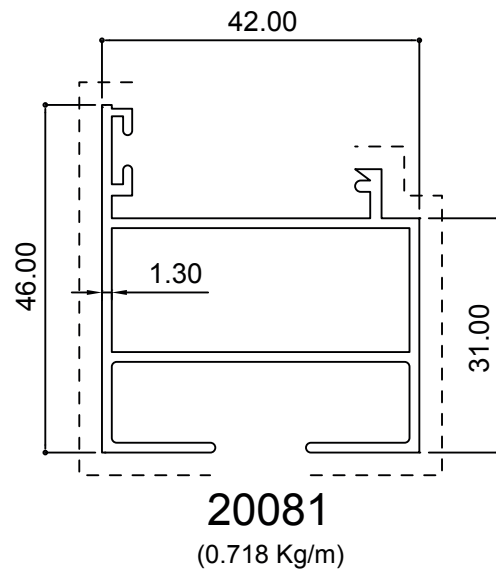
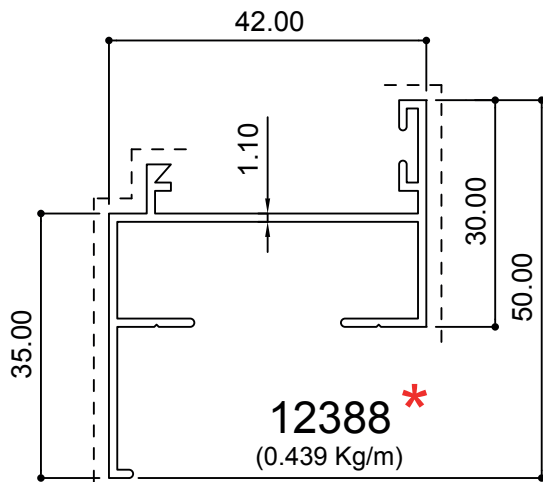
10064
(0.635 Kg/m)



65004 *
(0.379 Kg/m)

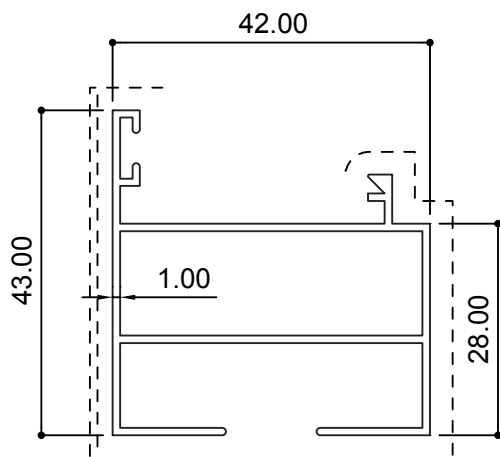
* For export, not recommended for GCC usage

Frame Profiles - 42 mm

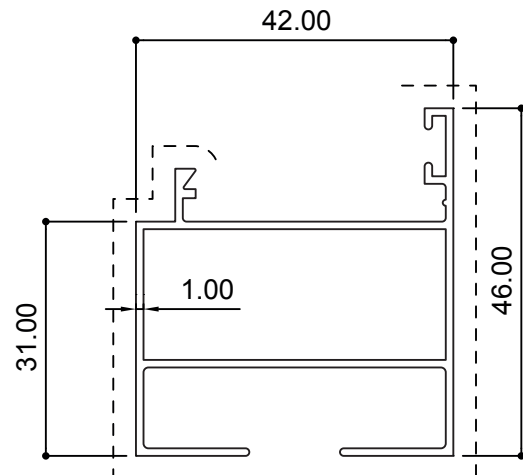


* For export, not recommended for GCC usage

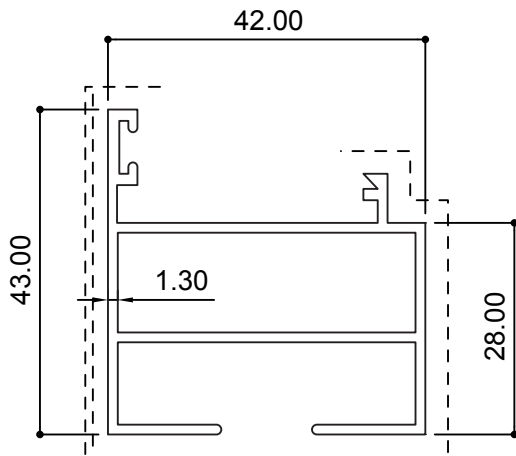
Frame Profiles - 42 mm



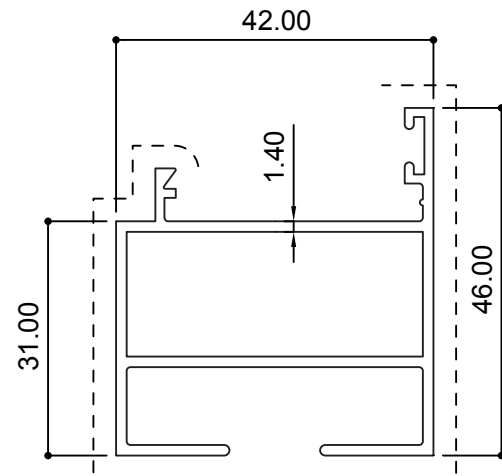
22377 *
(0.537 Kg/m)



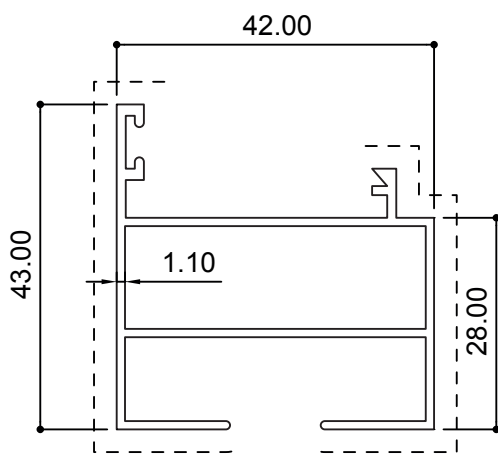
60028 *
(0.556 Kg/m)



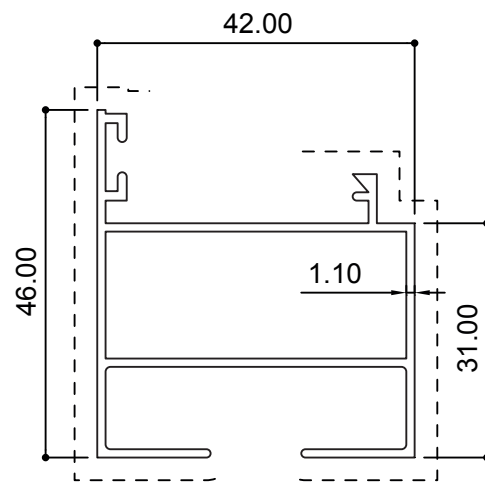
20120
(0.689 Kg/m)



60036
(0.744 Kg/m)



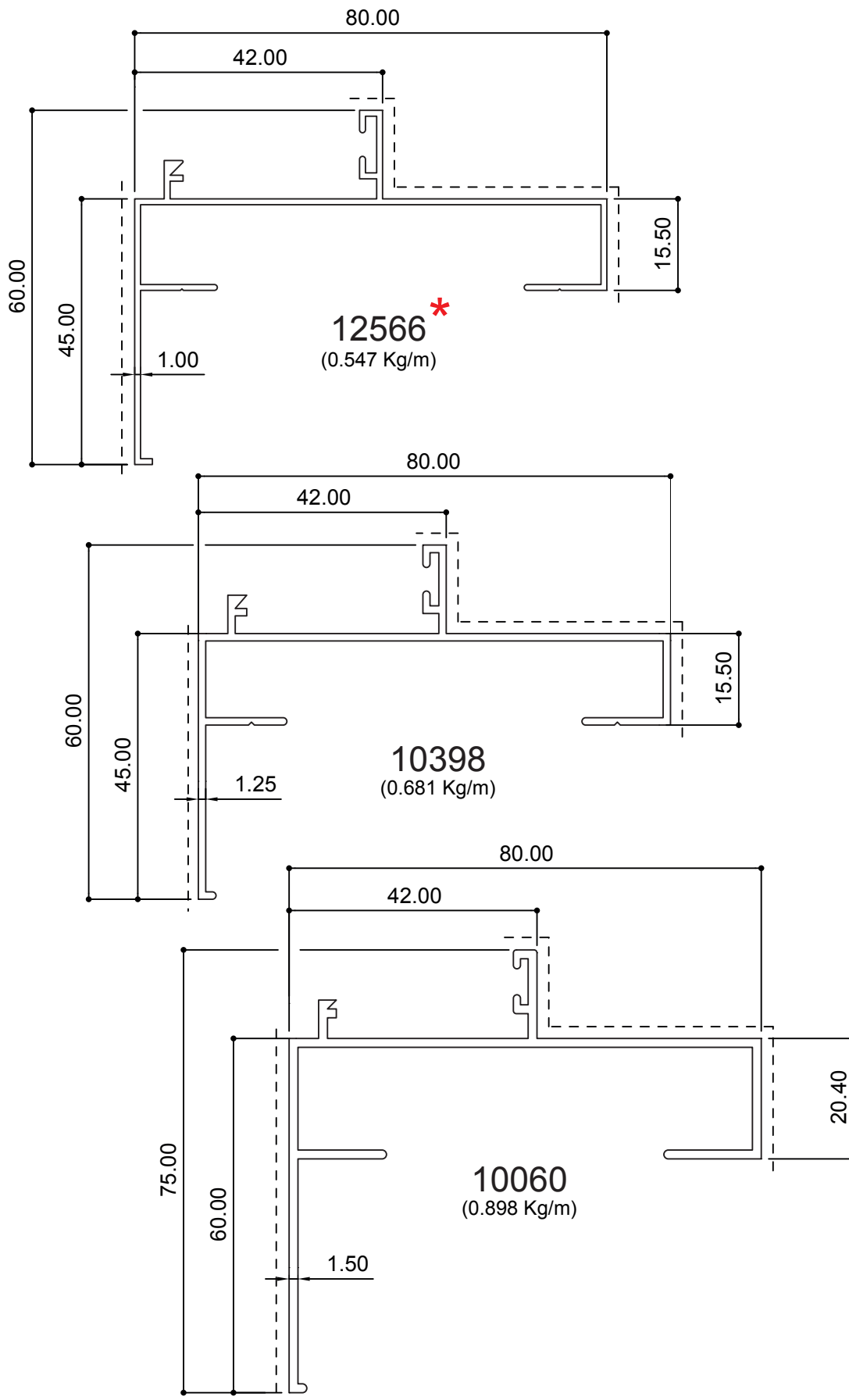
21150 *
(0.595 Kg/m)



21763 *
(0.614 Kg/m)

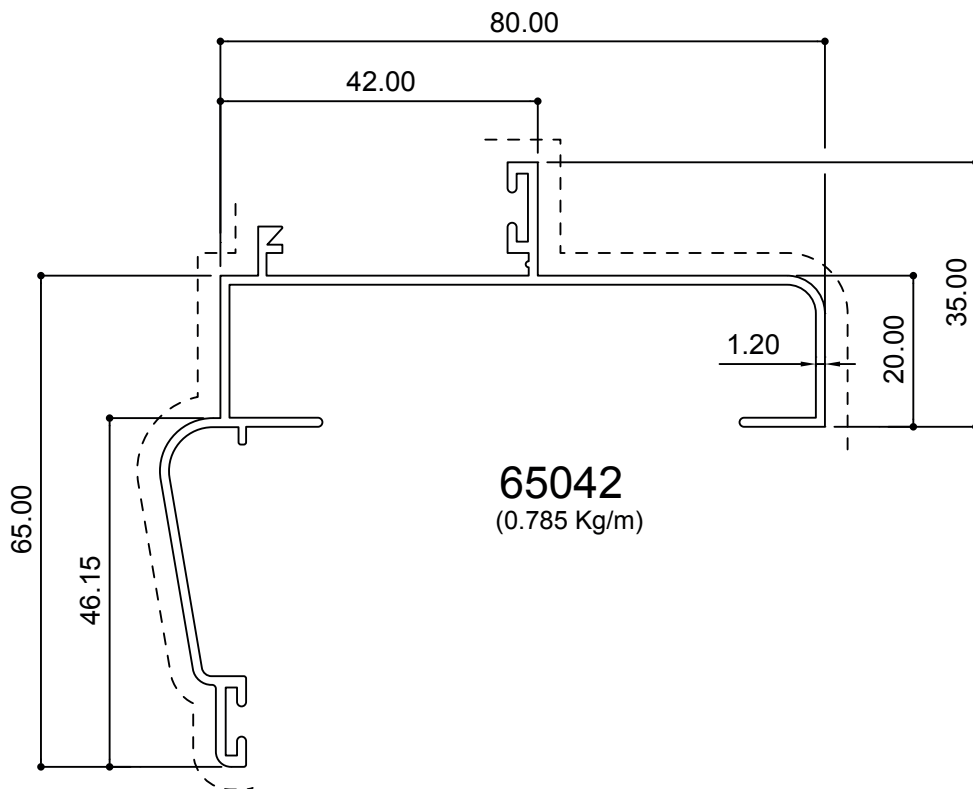
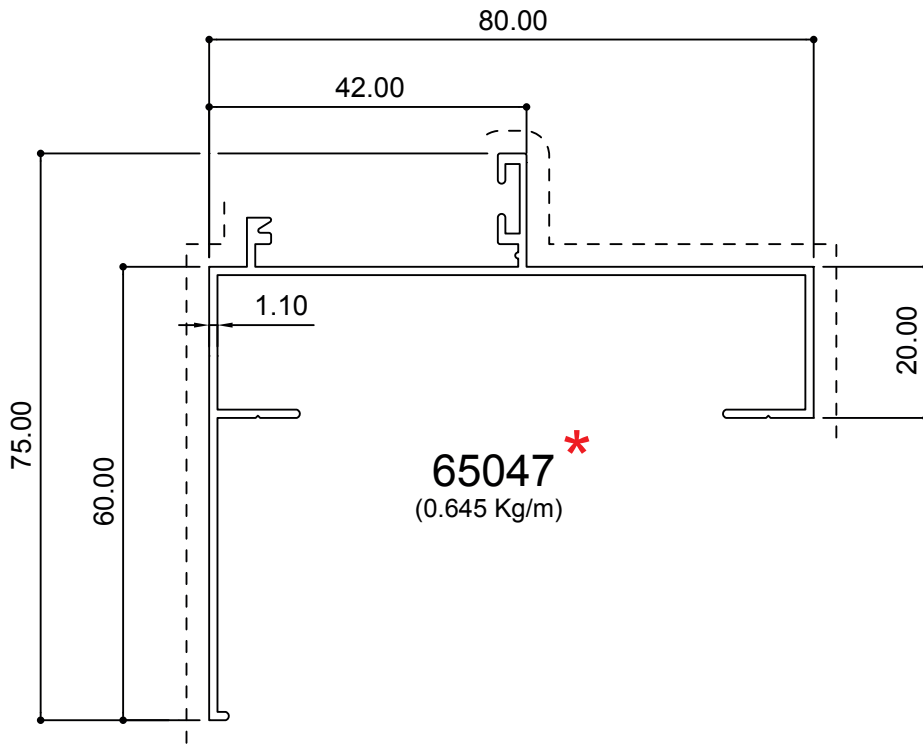
* For export, not recommended for GCC usage

Frame Profiles - 42 mm



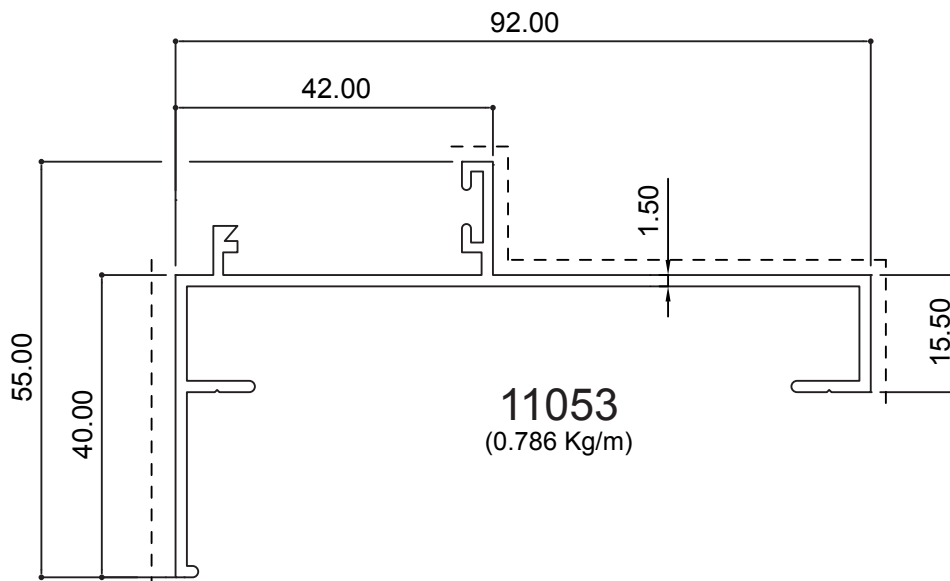
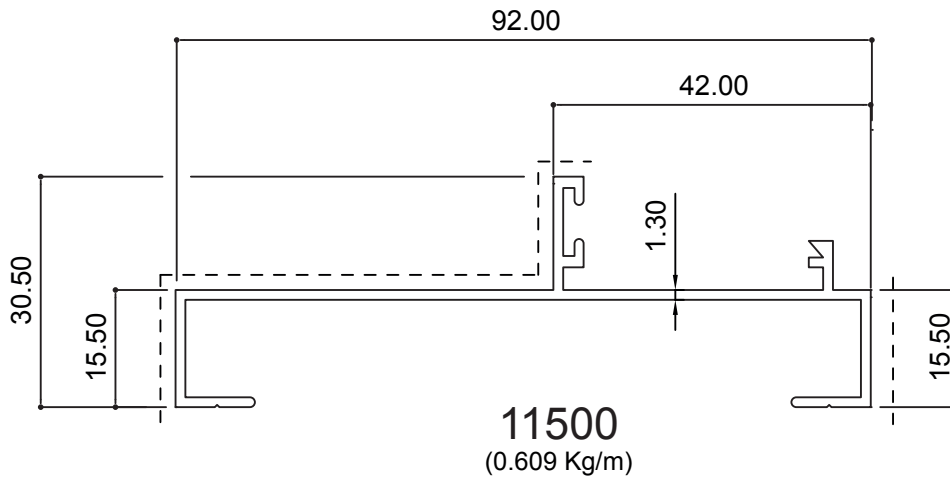
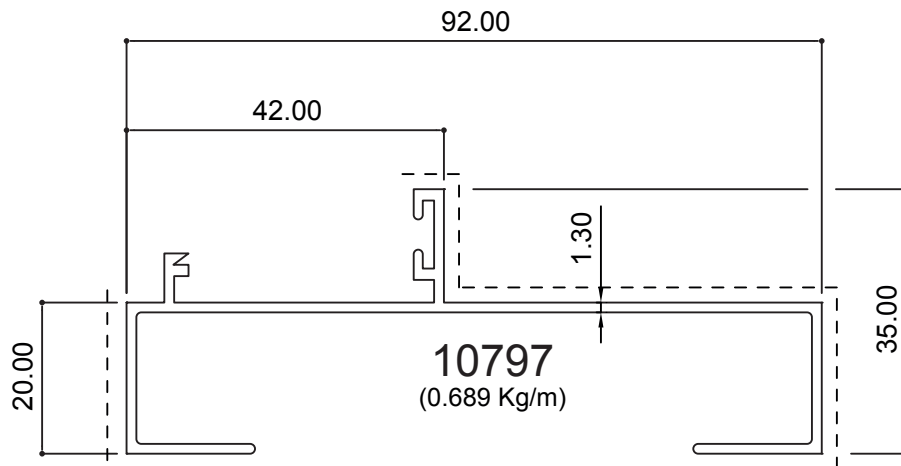
* For export, not recommended for GCC usage

Frame Profiles - 42 mm



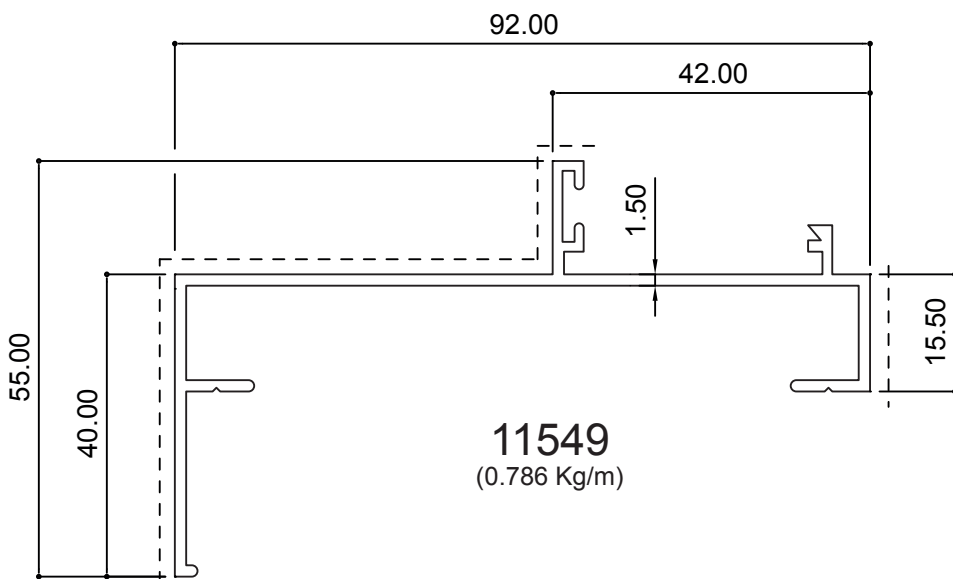
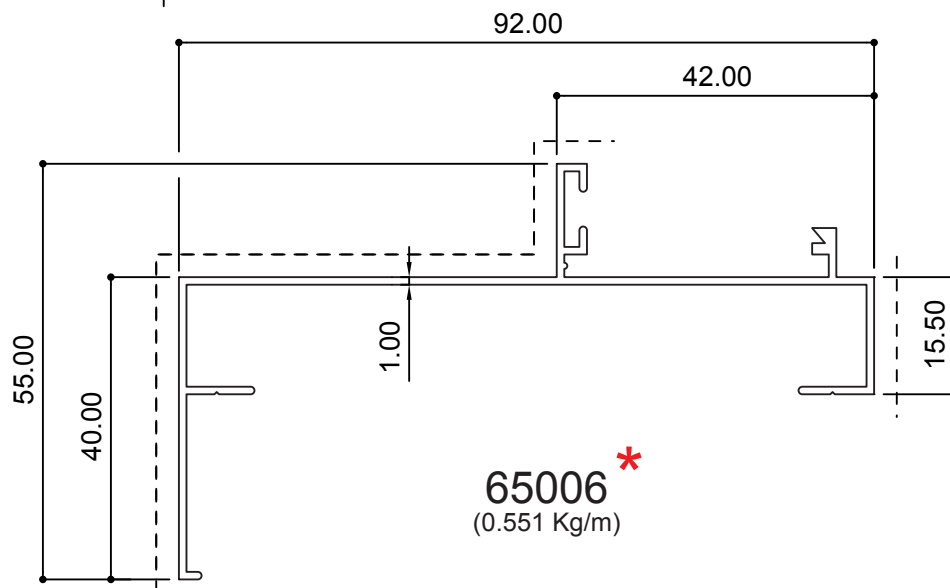
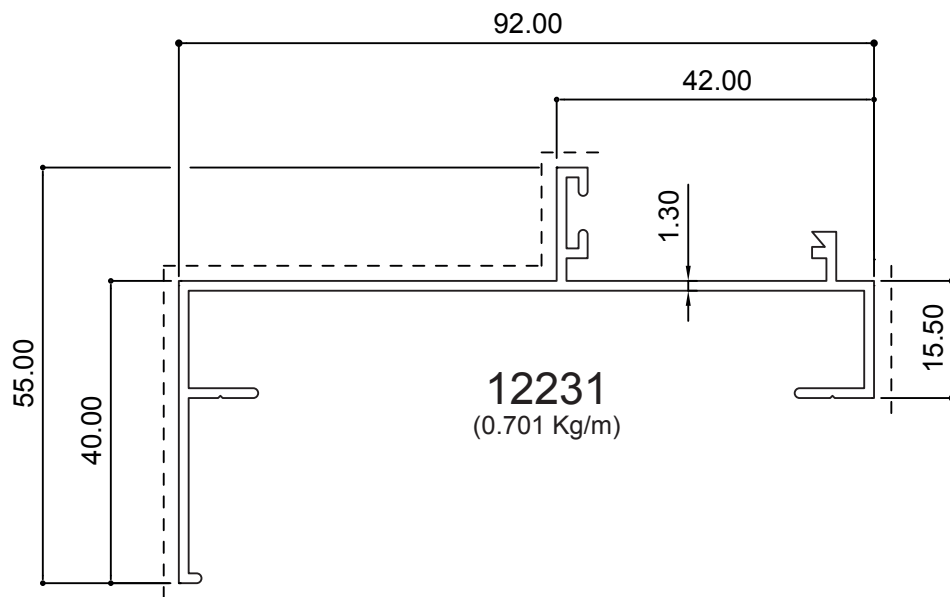
* For export, not recommended for GCC usage

Frame Profiles - 42 mm



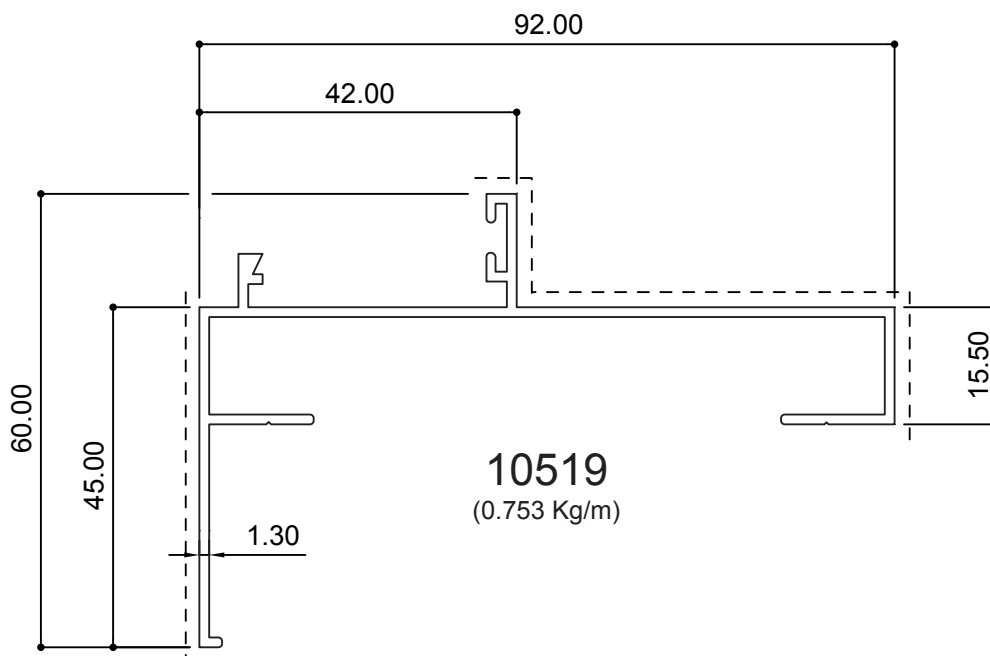
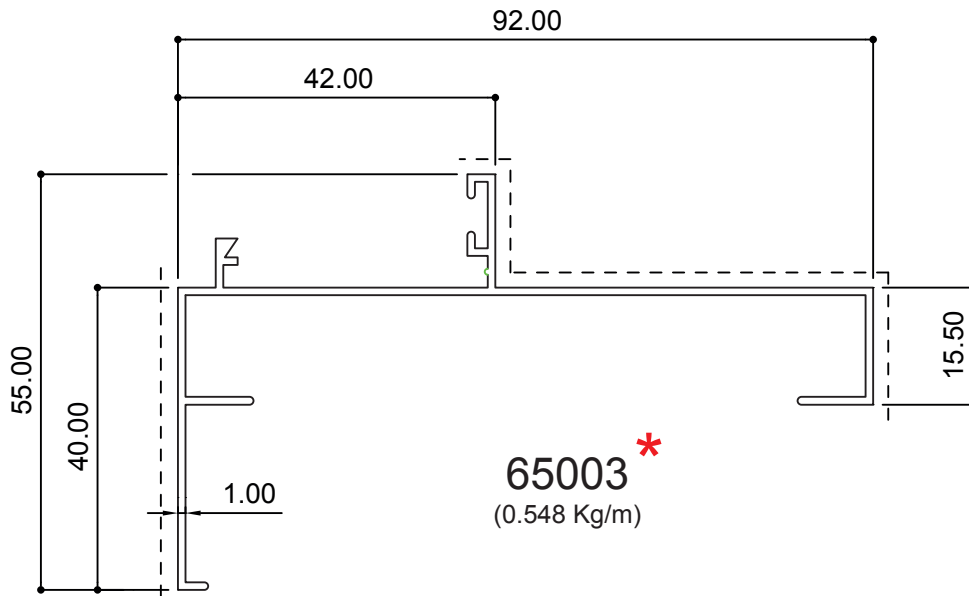
* For export, not recommended for GCC usage

Frame Profiles - 42 mm



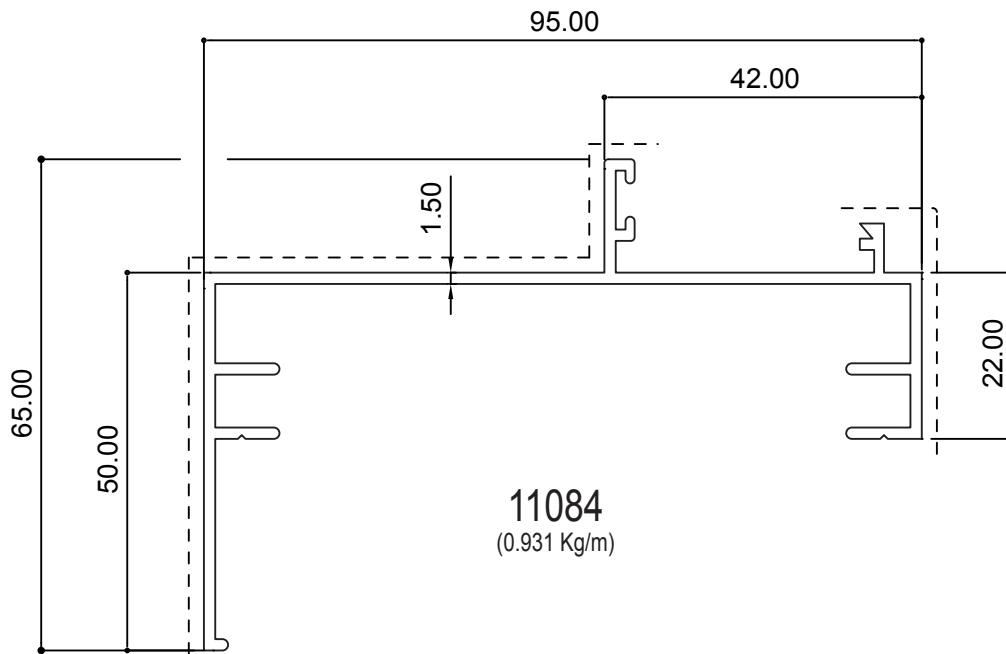
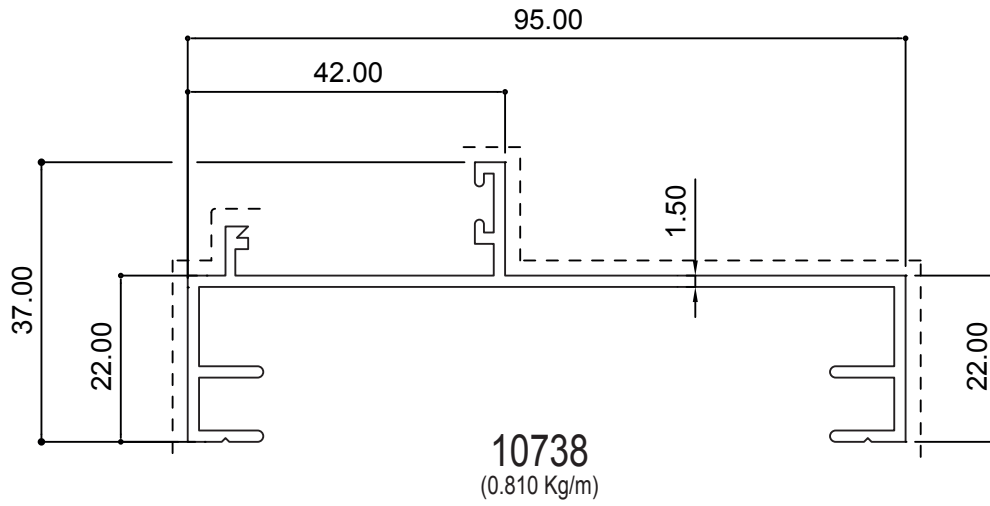
* For export, not recommended for GCC usage

Frame Profiles - 42 mm



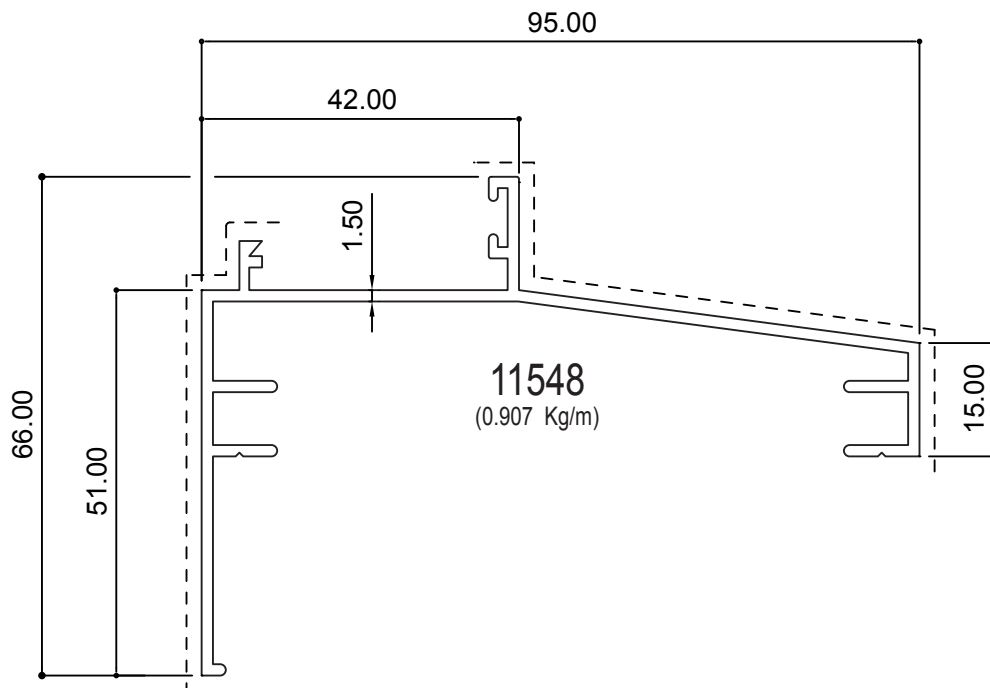
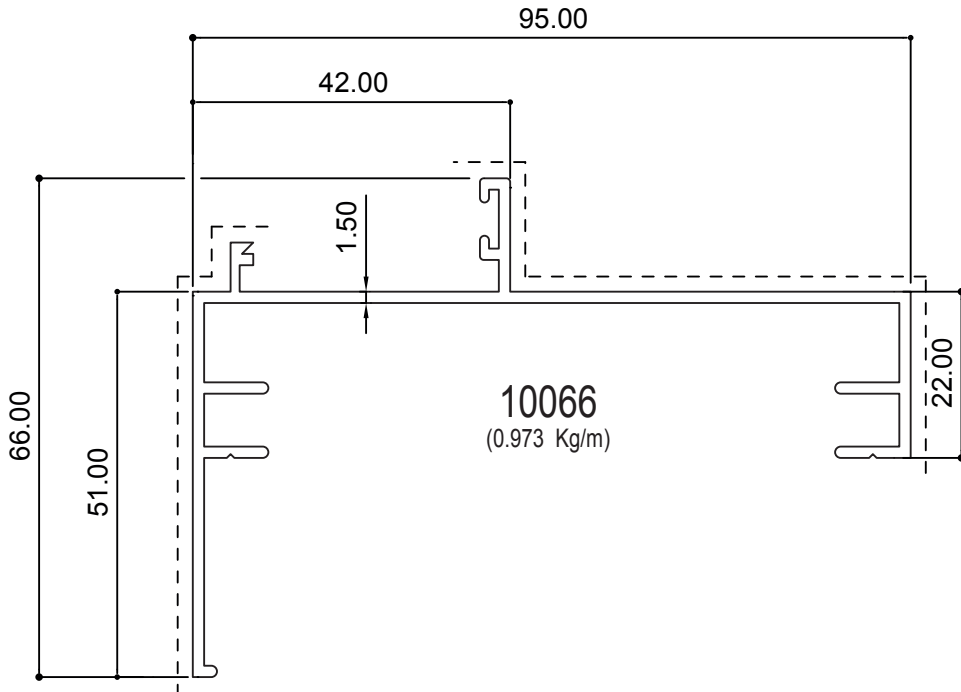
* For export, not recommended for GCC usage

Frame Profiles - 42 mm



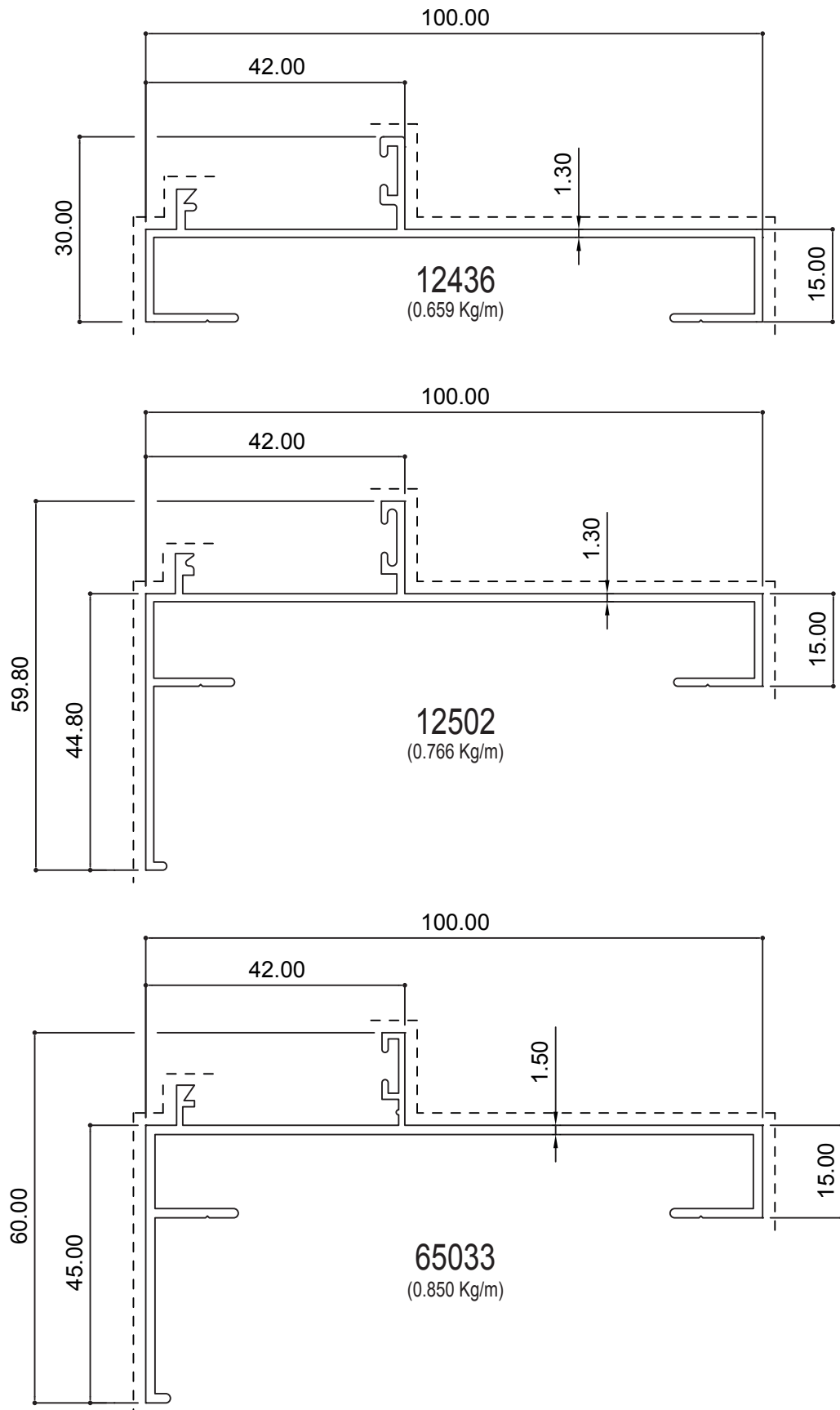
* For export, not recommended for GCC usage

Frame Profiles - 42 mm



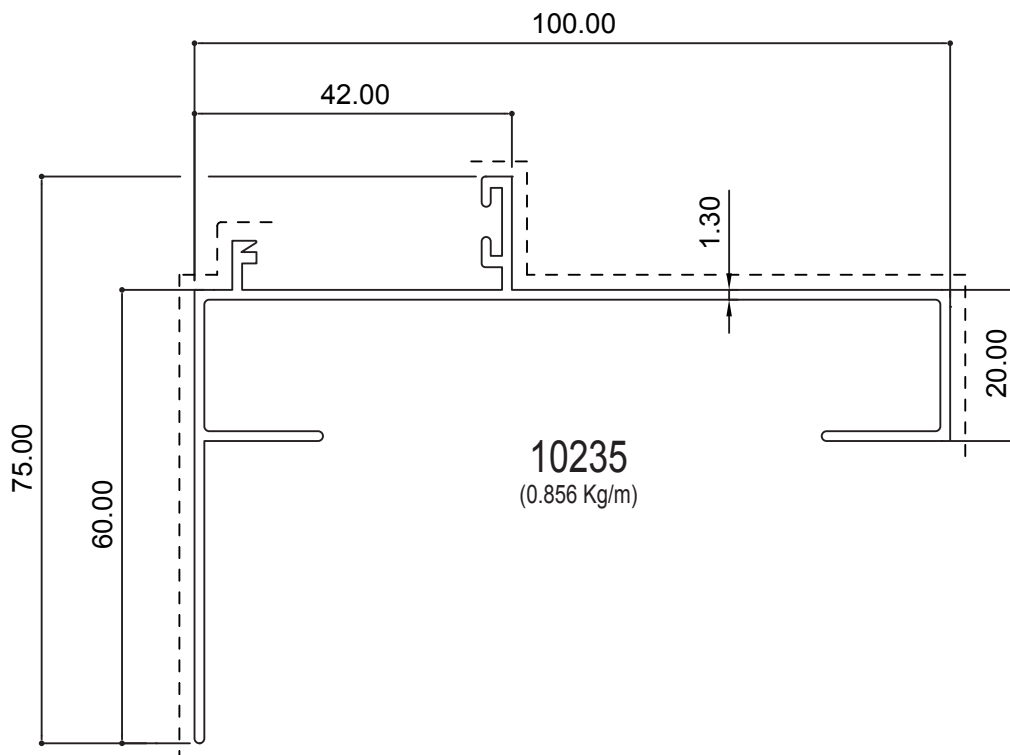
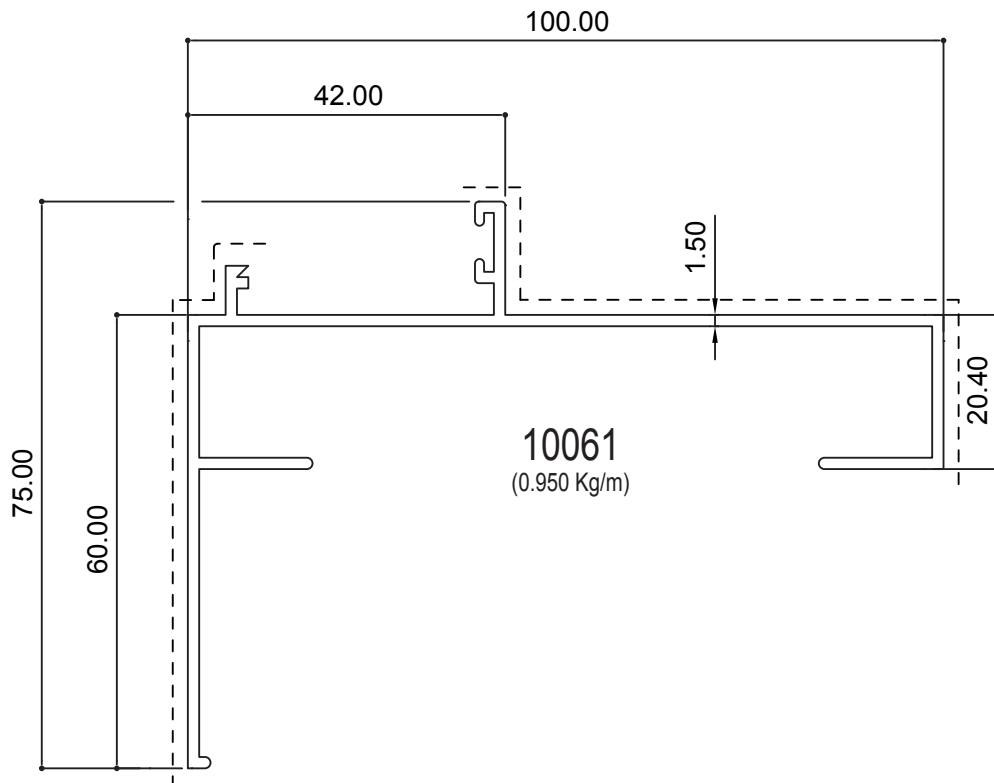
* For export, not recommended for GCC usage

Frame Profiles - 42 mm



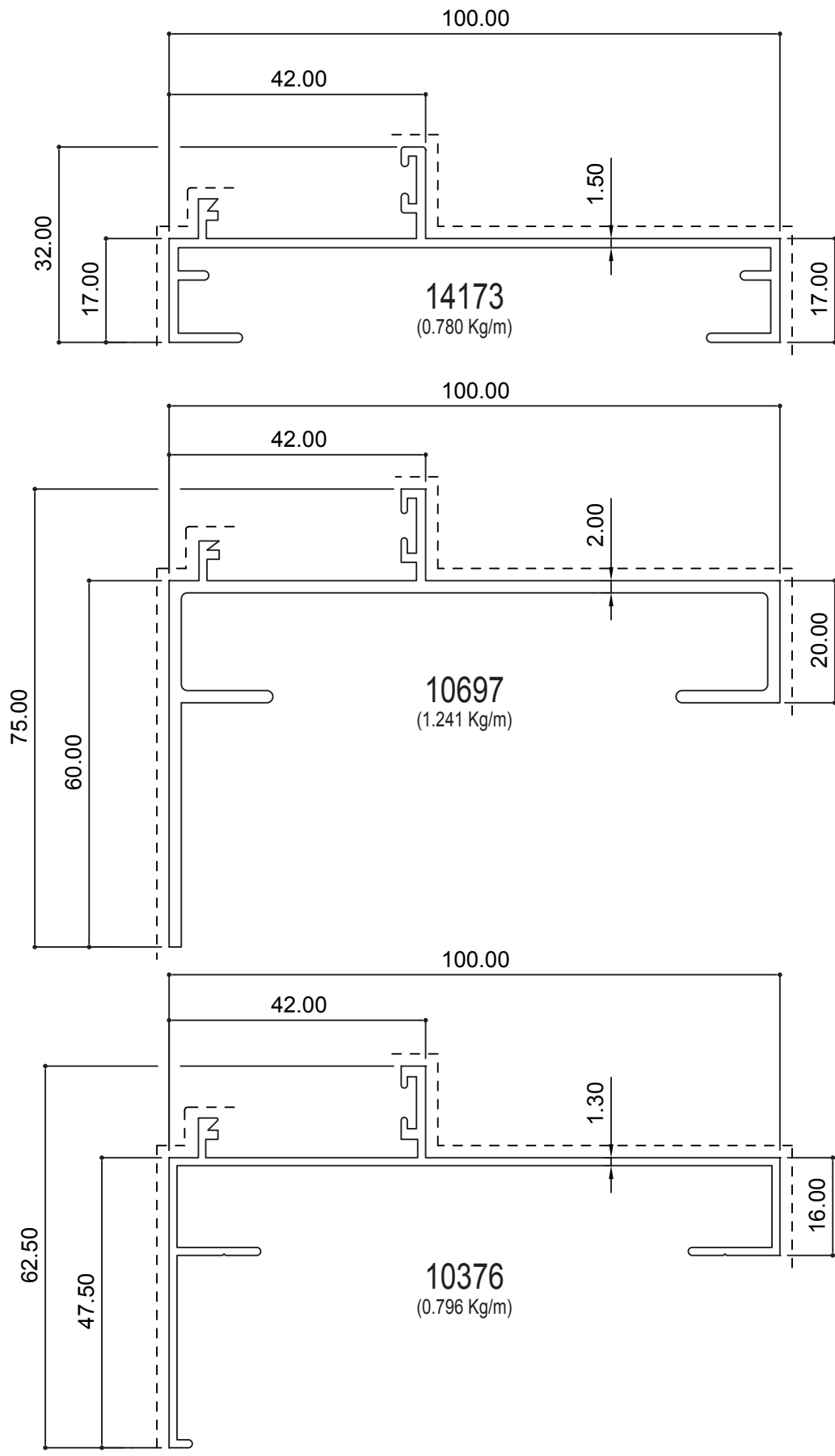
* For export, not recommended for GCC usage

Frame Profiles - 42 mm



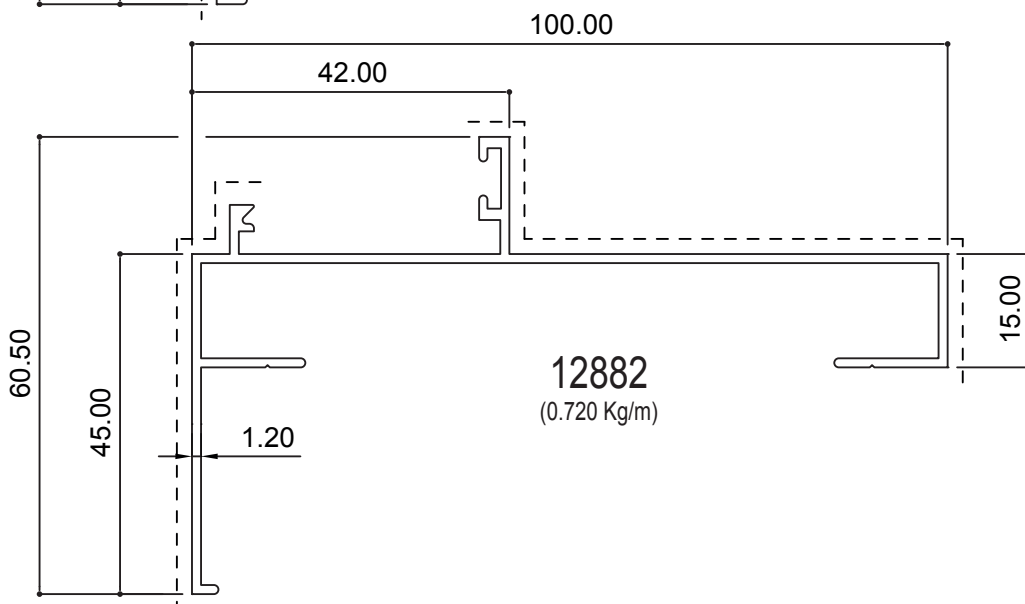
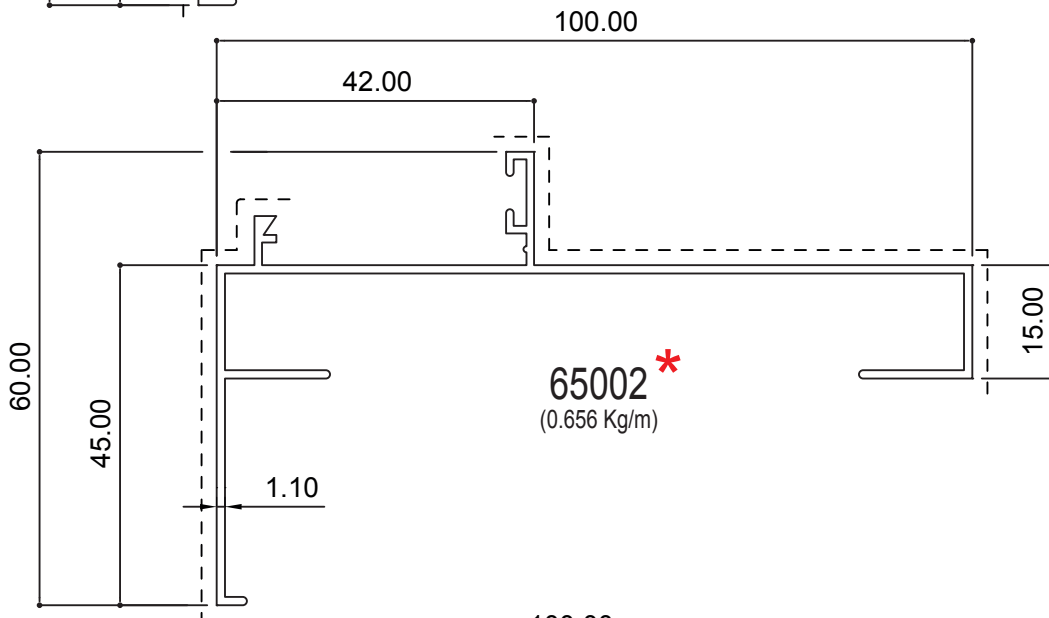
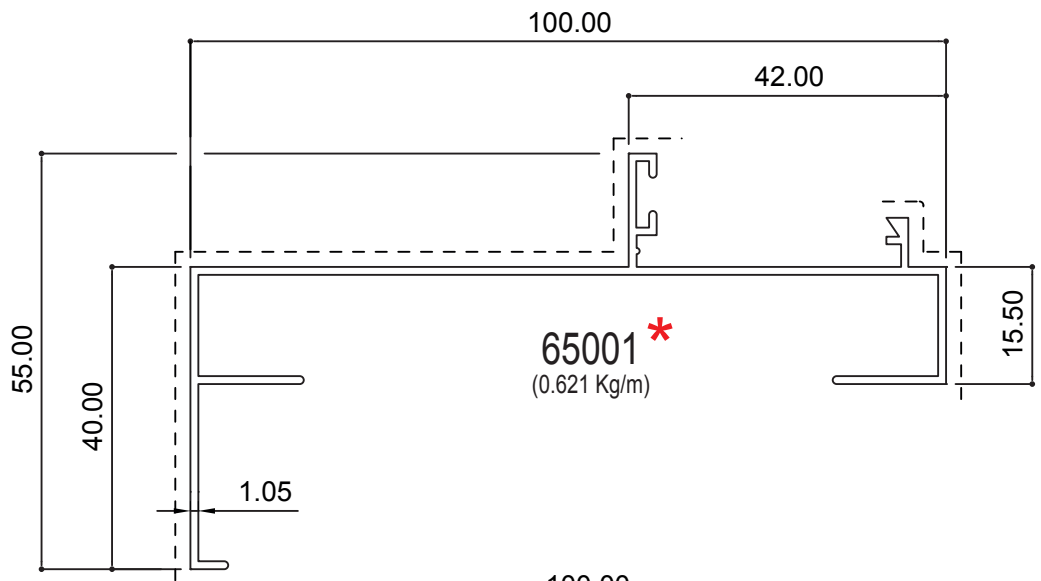
* For export, not recommended for GCC usage

Frame Profiles - 42 mm



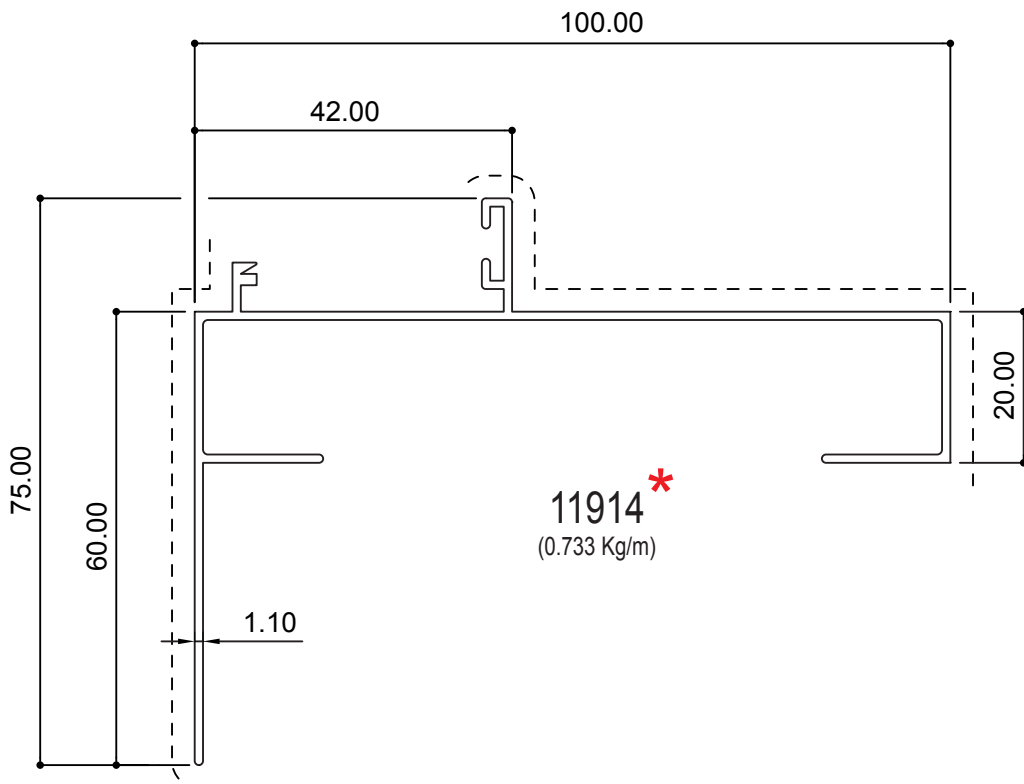
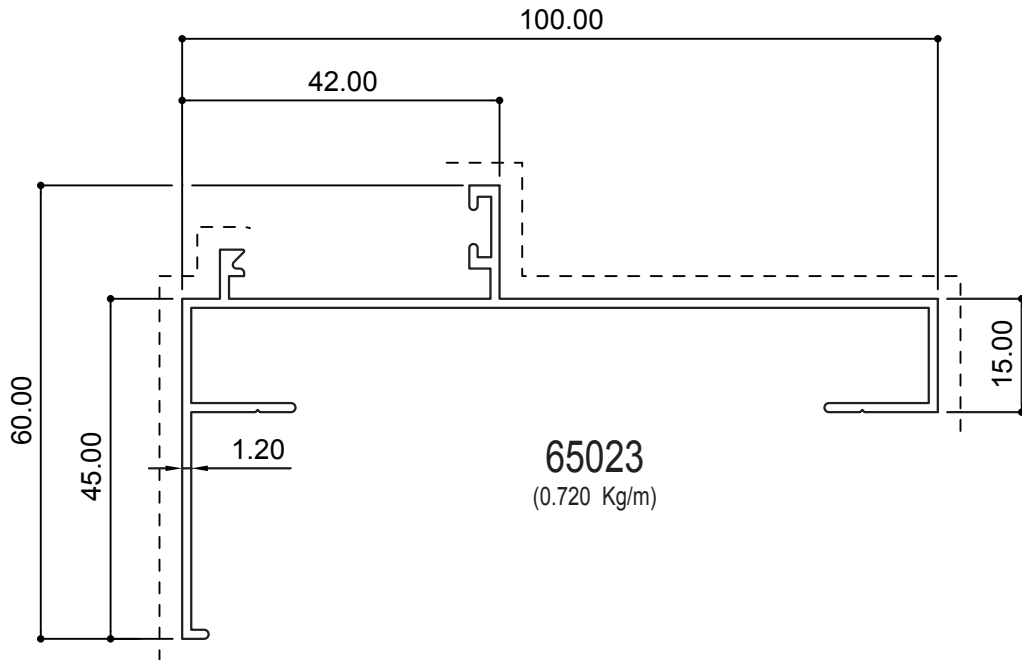
* For export, not recommended for GCC usage

Frame Profiles - 42 mm



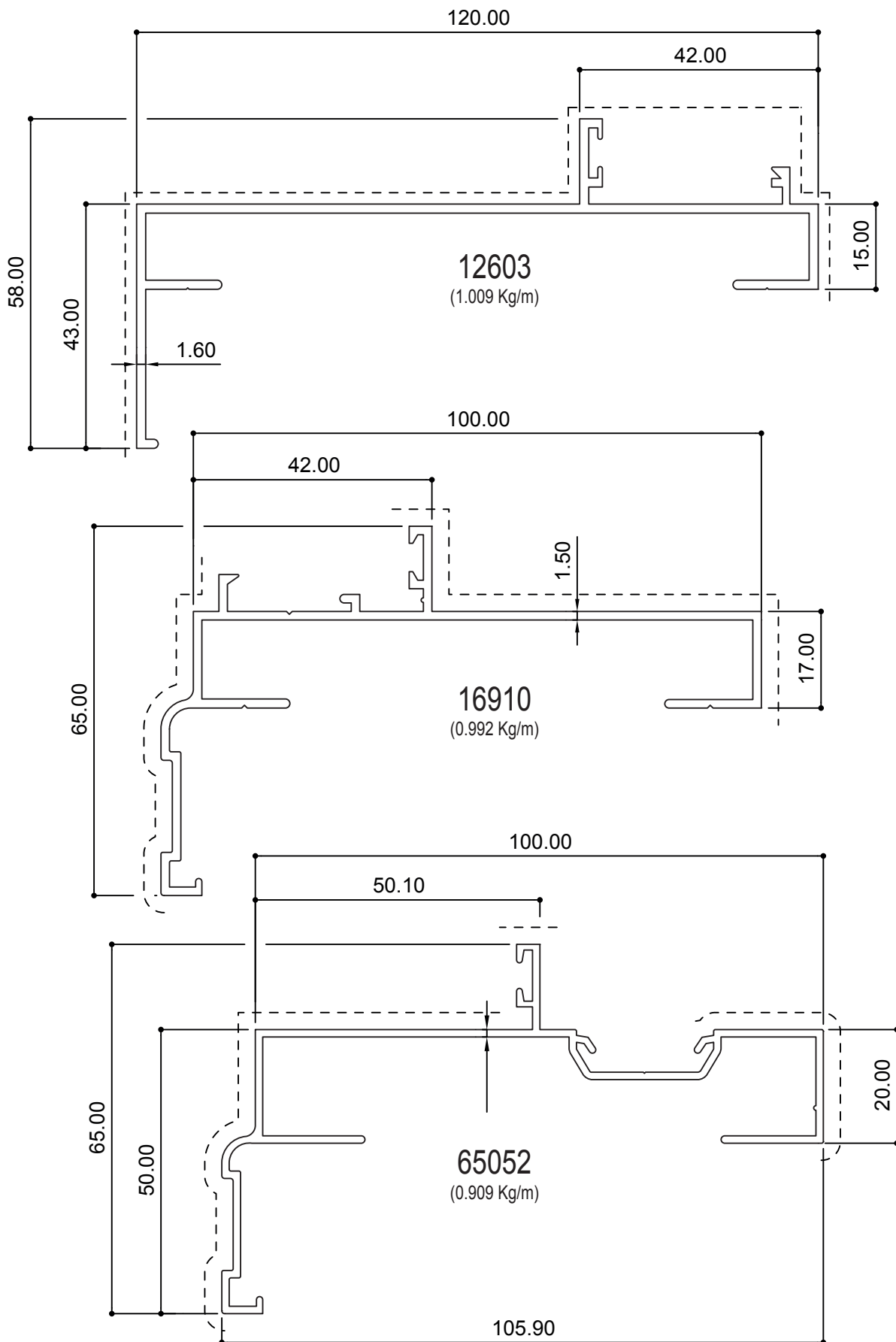
* For export, not recommended for GCC usage

Frame Profiles - 42 mm



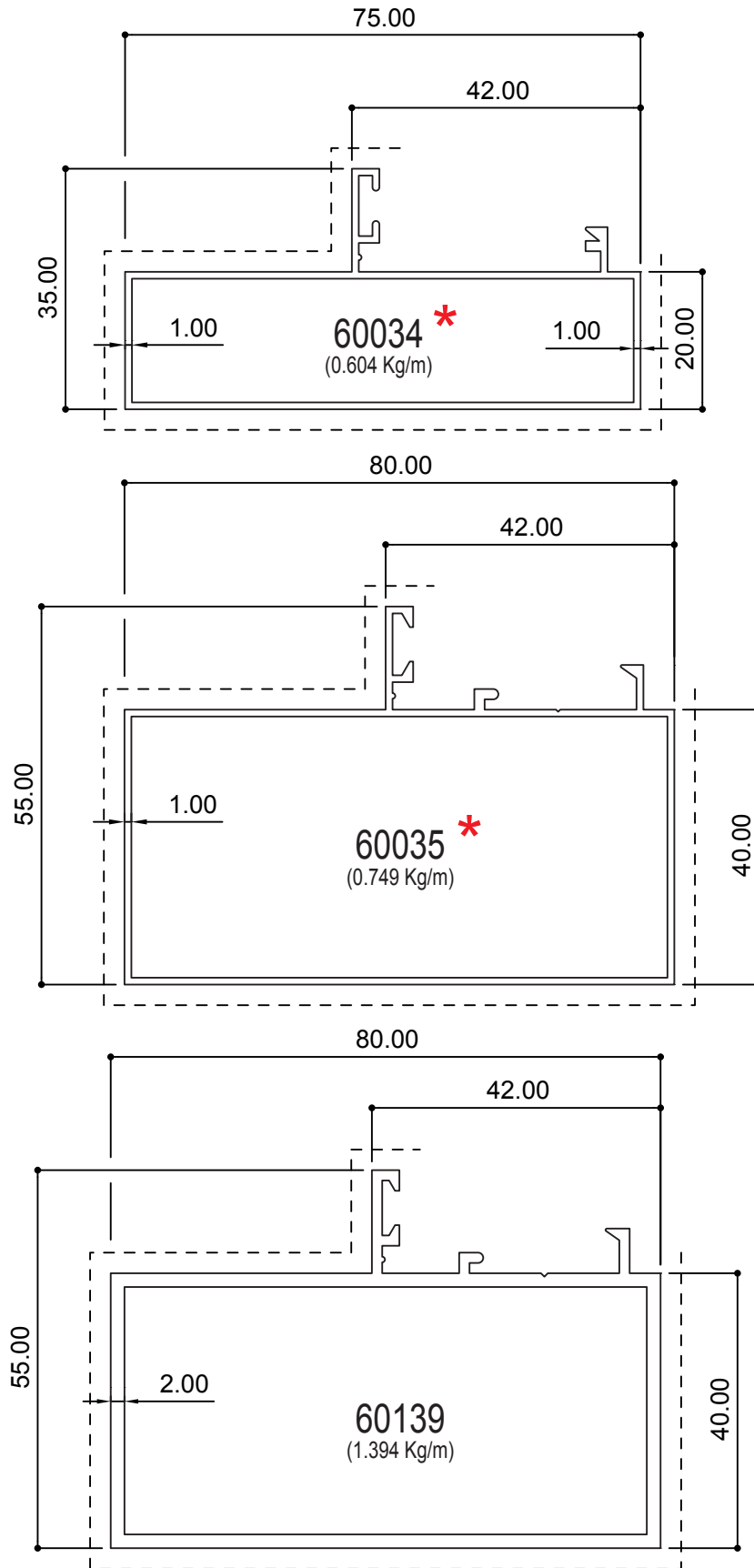
* For export, not recommended for GCC usage

Frame Profiles - 42 mm



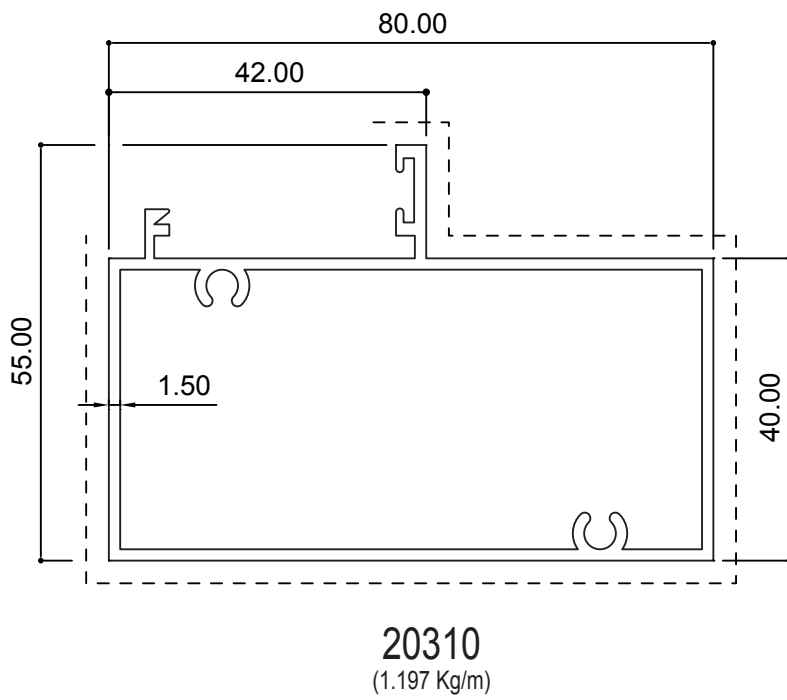
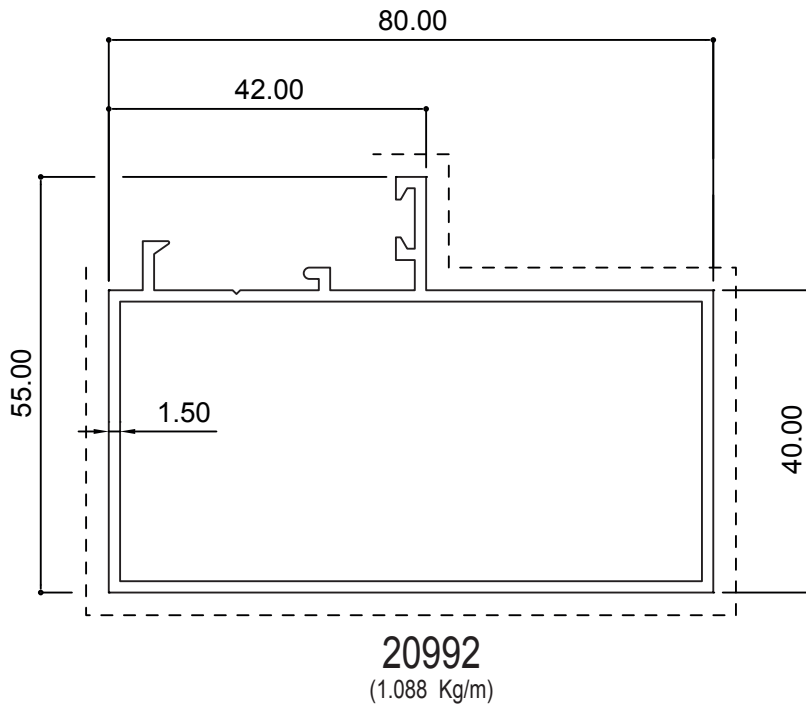
* For export, not recommended for GCC usage

Frame Profiles - 42 mm



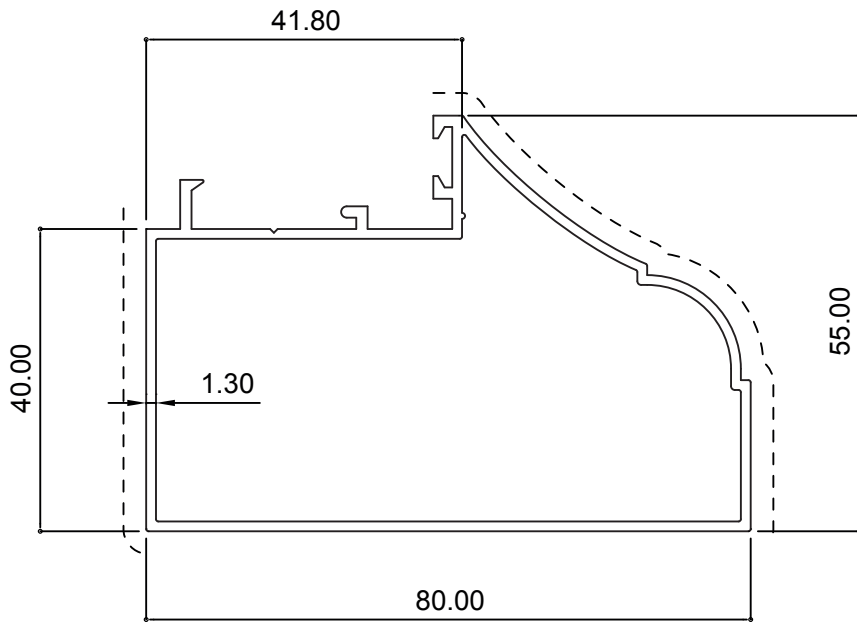
* For export, not recommended for GCC usage

Frame Profiles - 42 mm

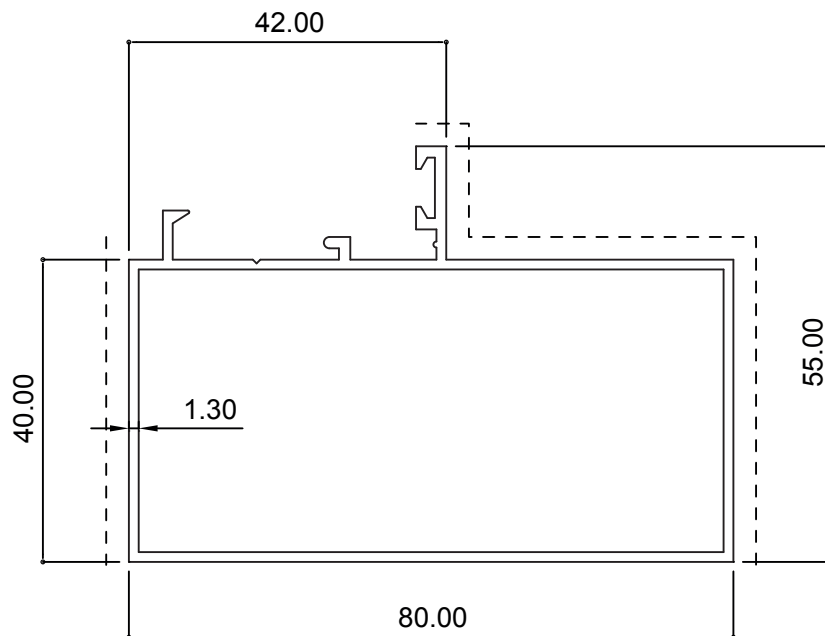


* For export, not recommended for GCC usage

Frame Profiles - 42 mm



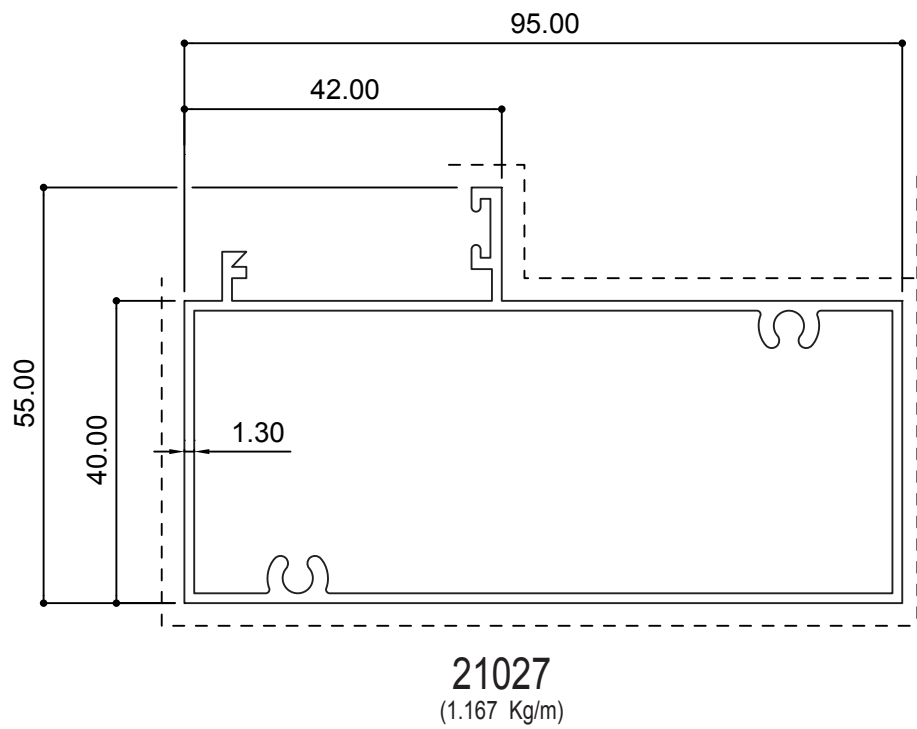
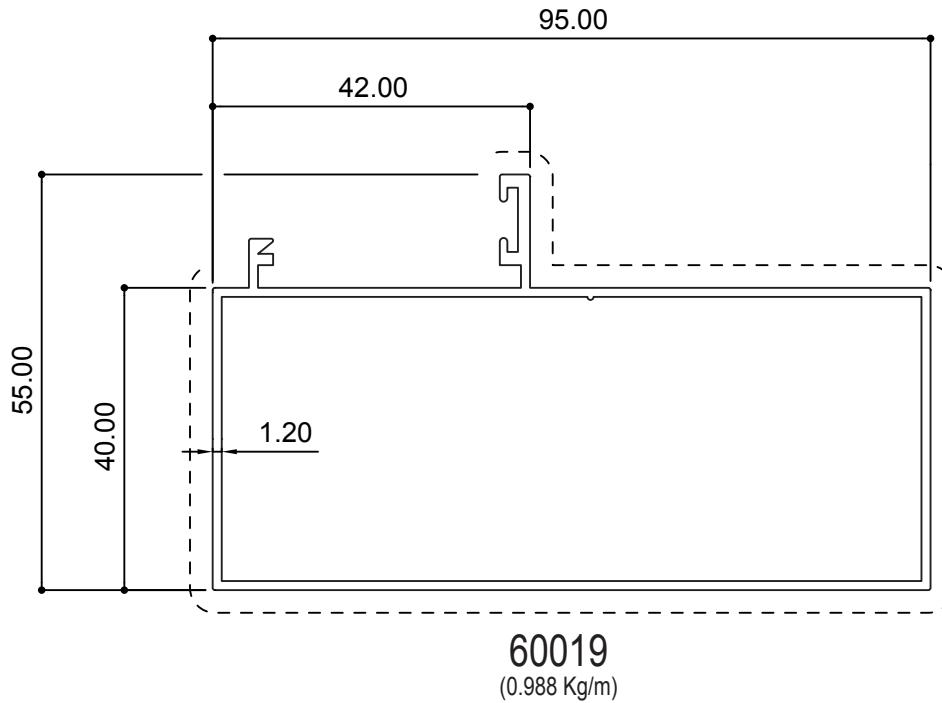
60215
(0.947 Kg/m)



60216
(0.960 Kg/m)

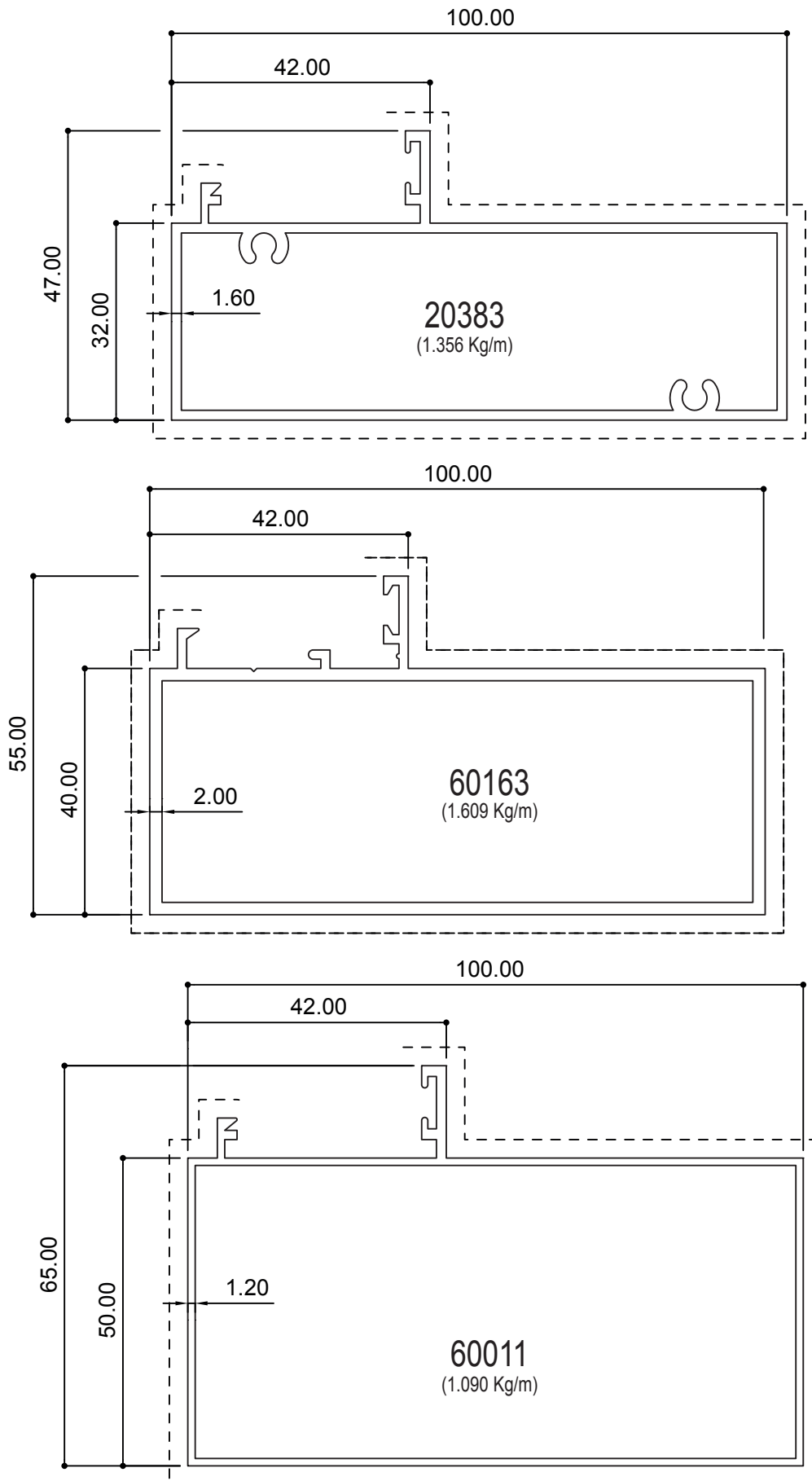
* For export, not recommended for GCC usage

Frame Profiles - 42 mm



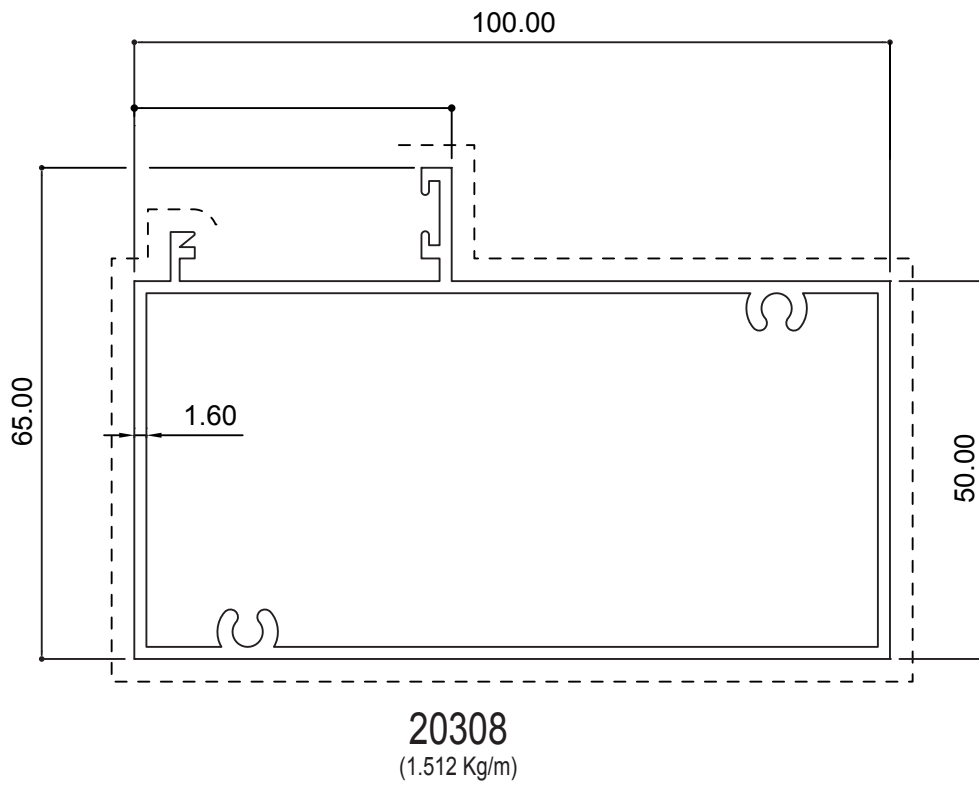
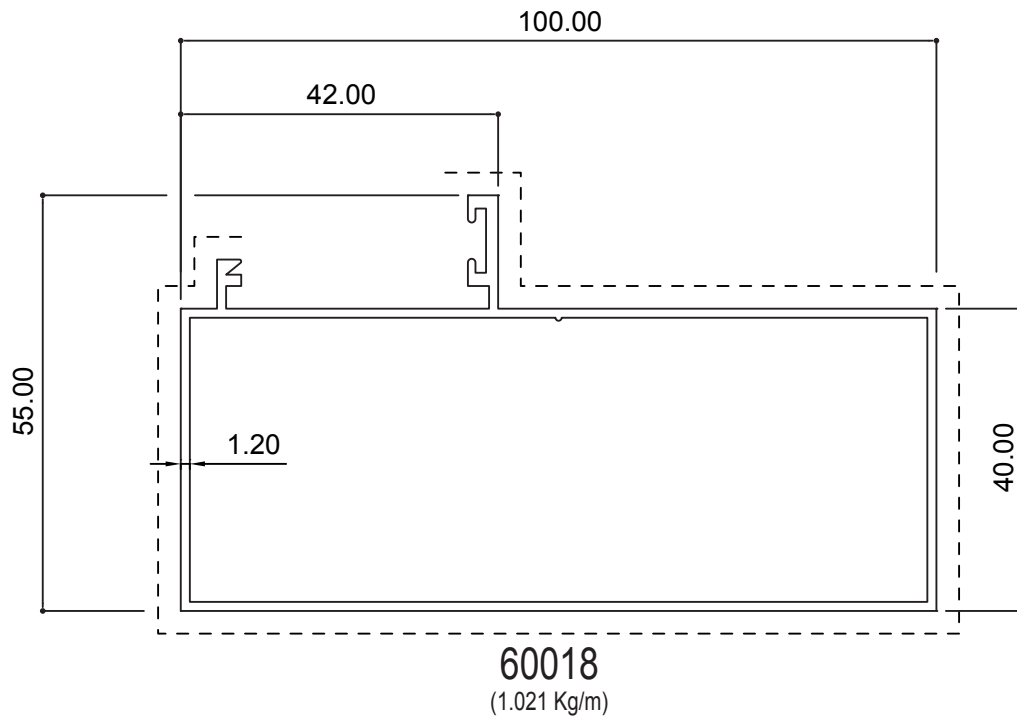
* For export, not recommended for GCC usage

Frame Profiles - 42 mm



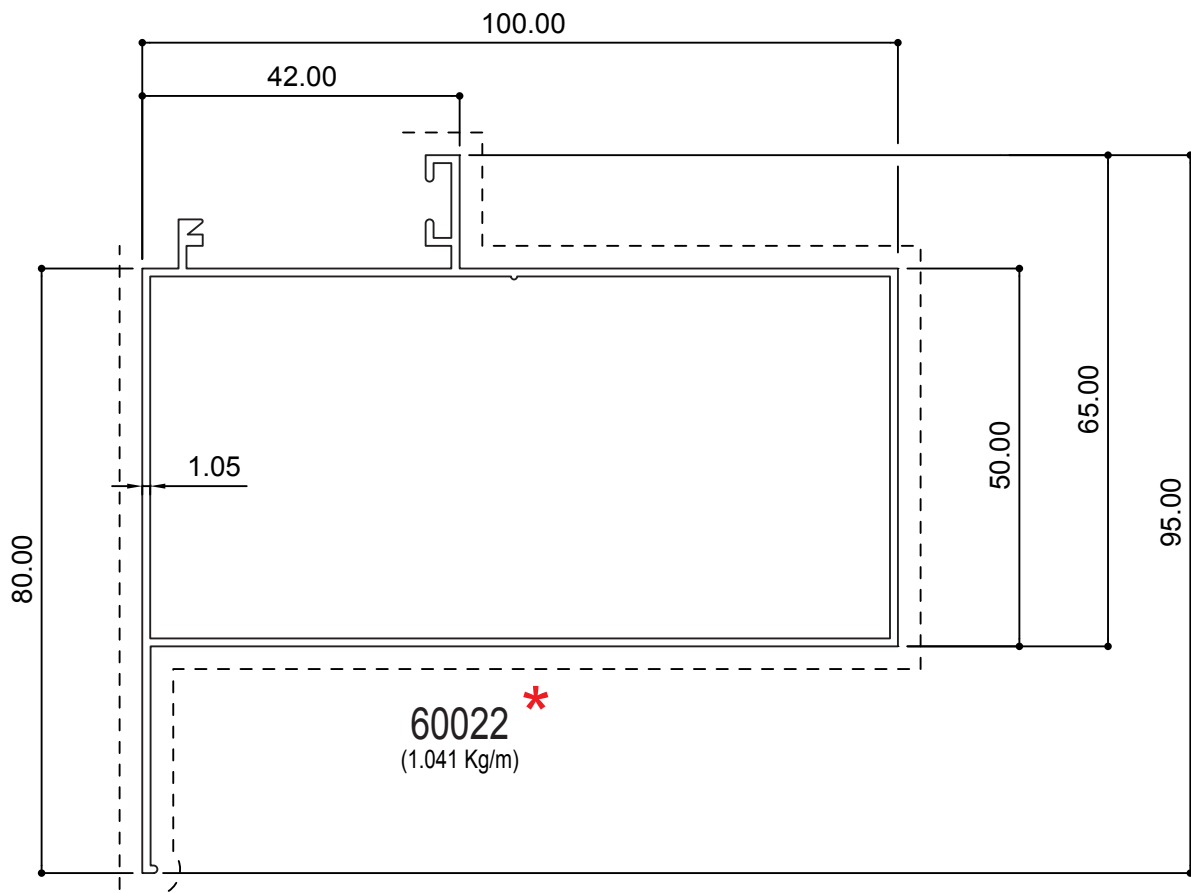
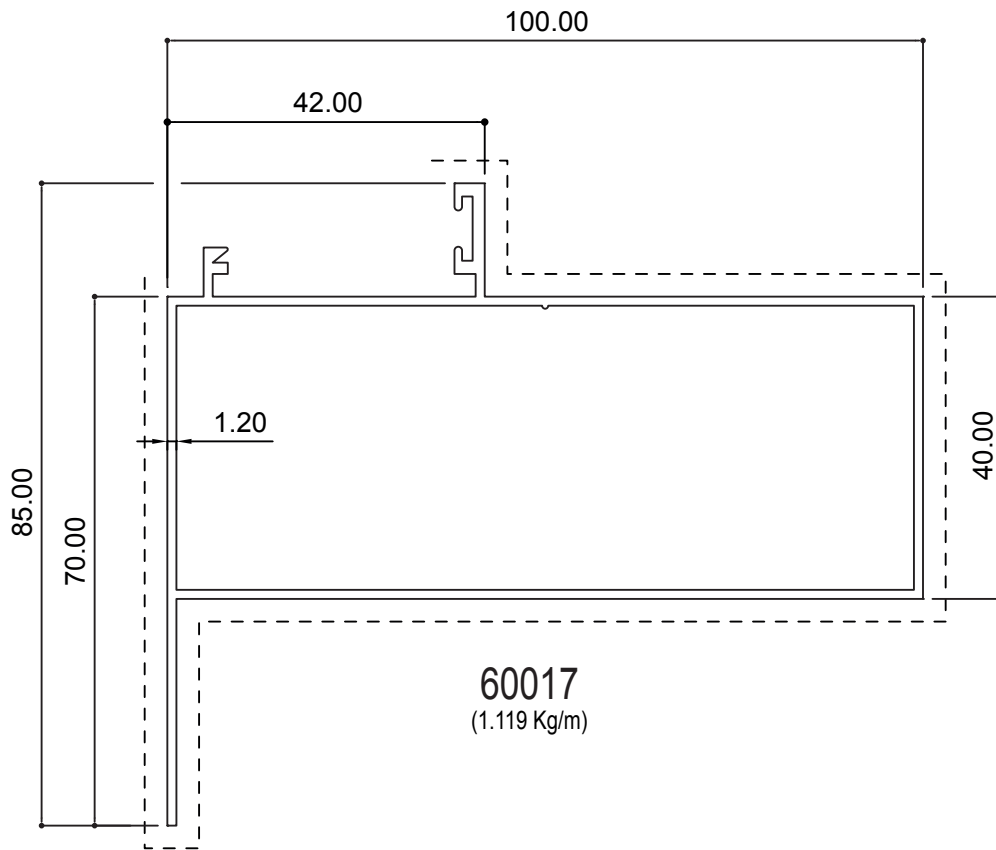
* For export, not recommended for GCC usage

Frame Profiles - 42 mm



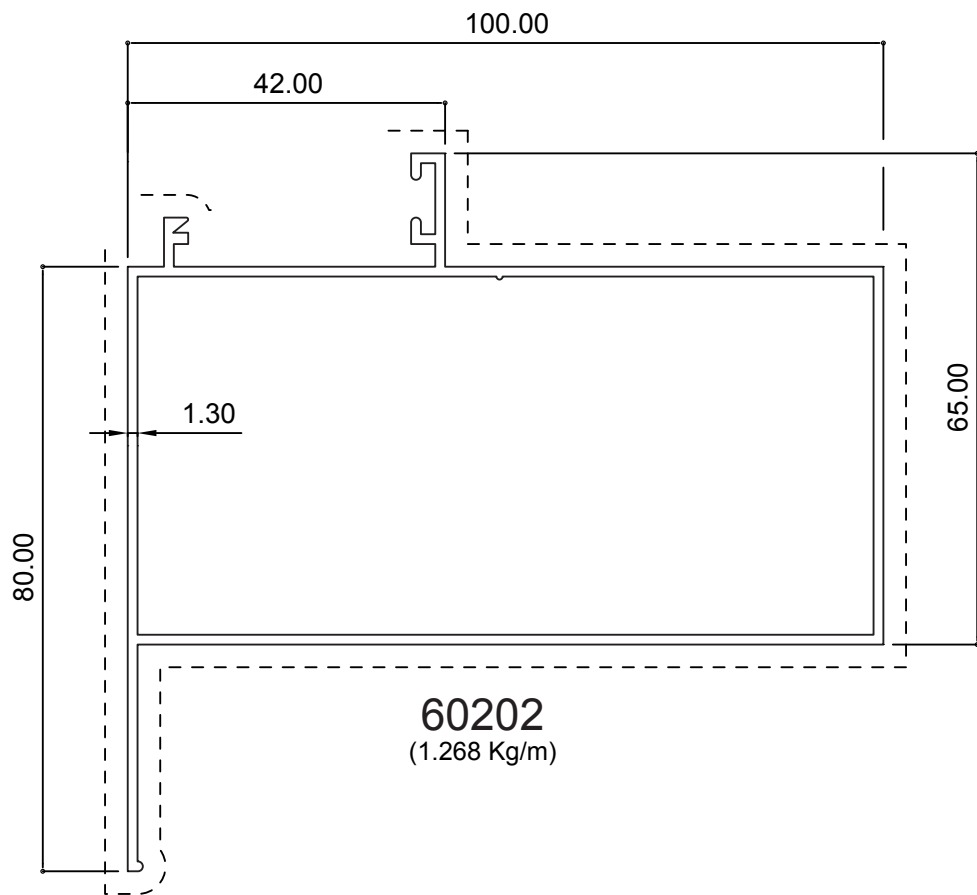
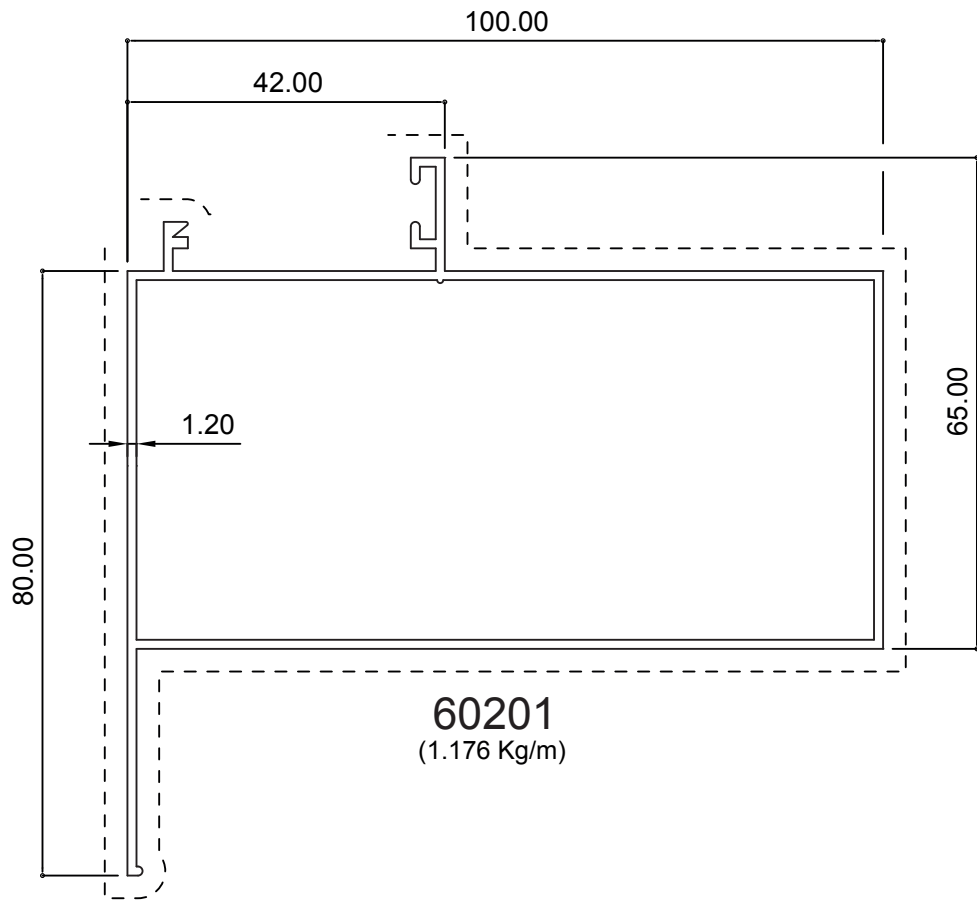
* For export, not recommended for GCC usage

Frame Profiles - 42 mm



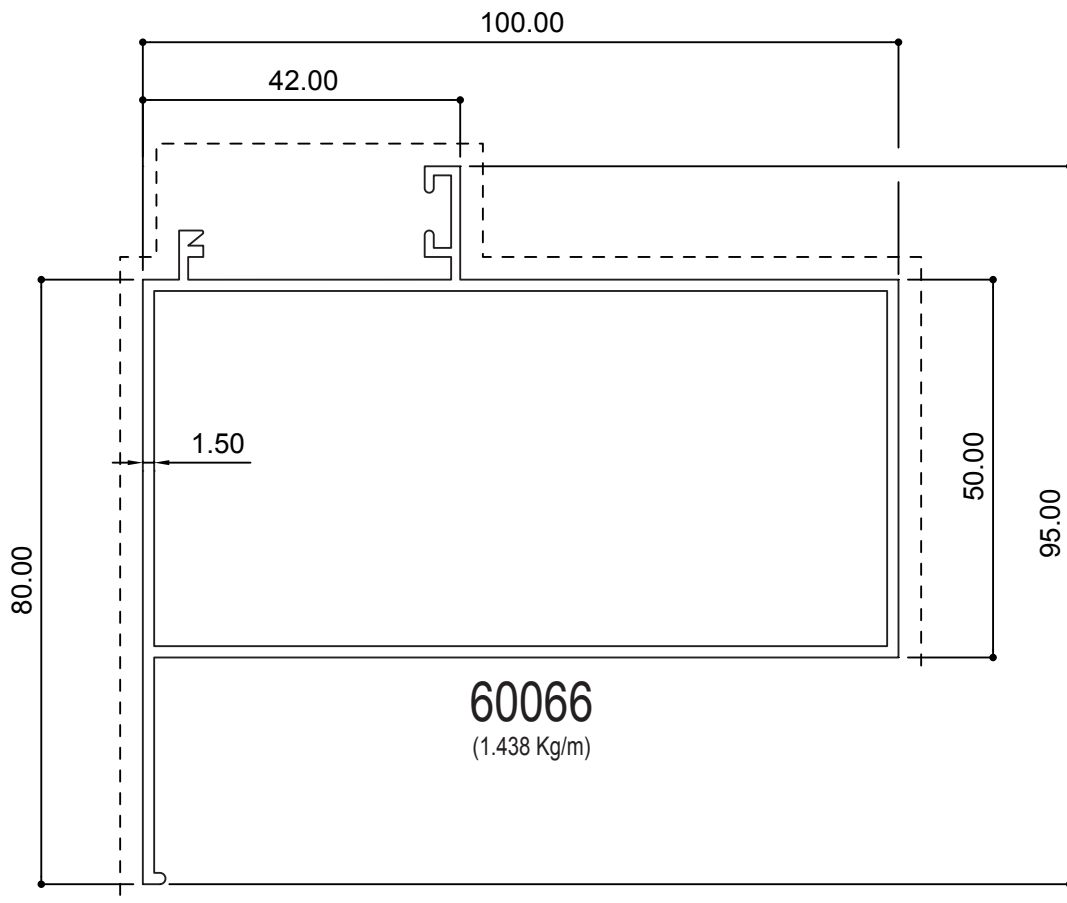
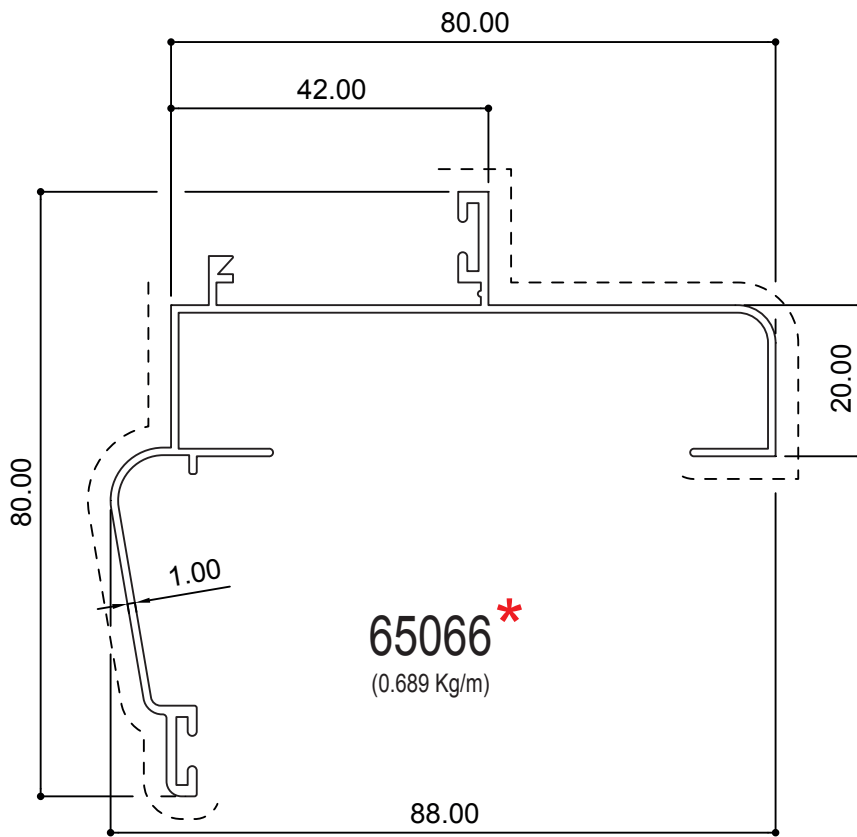
* For export, not recommended for GCC usage

Frame Profiles - 42 mm



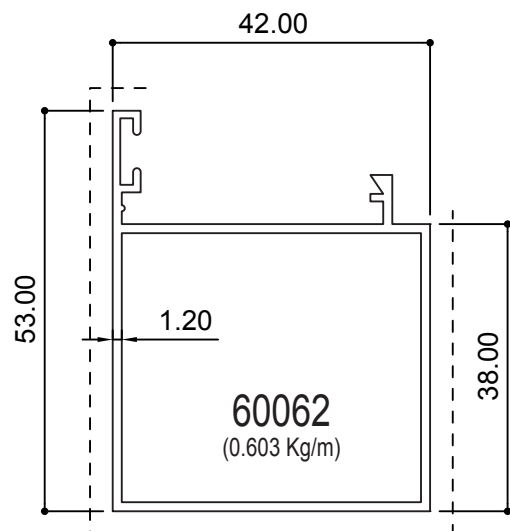
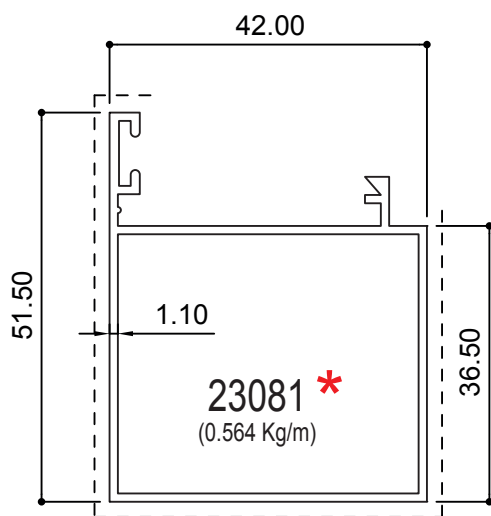
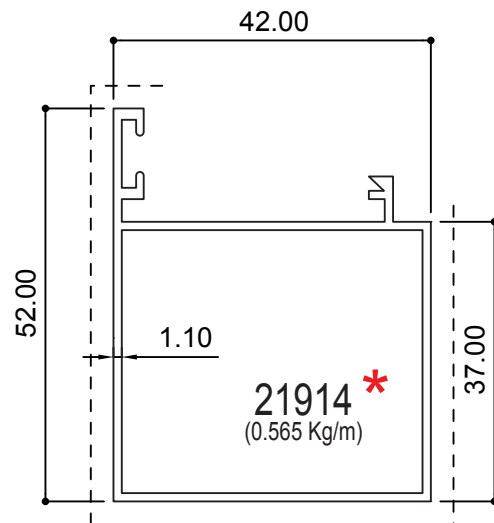
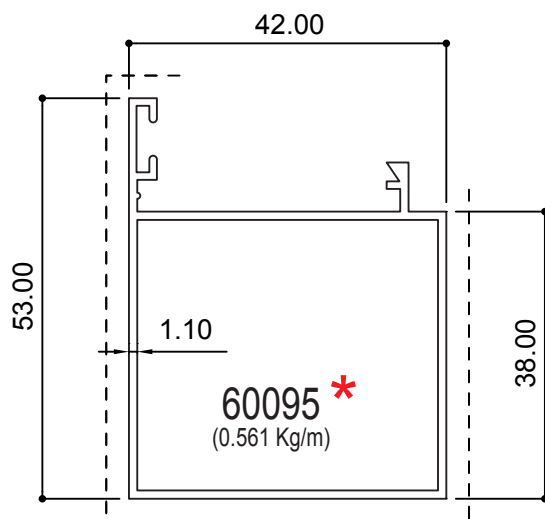
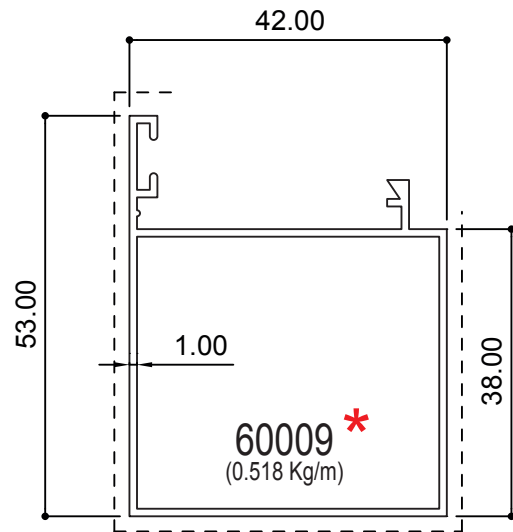
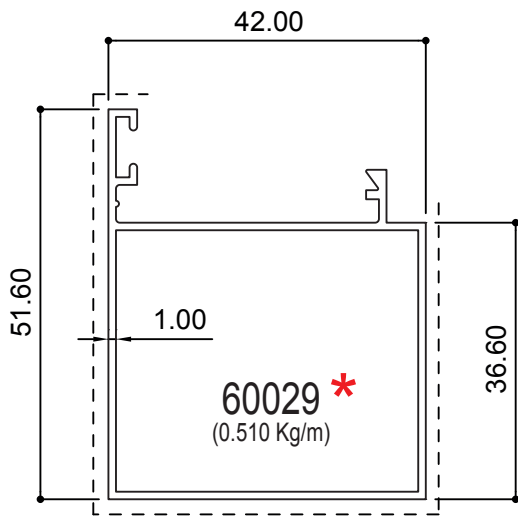
* For export, not recommended for GCC usage

Frame Profiles - 42 mm



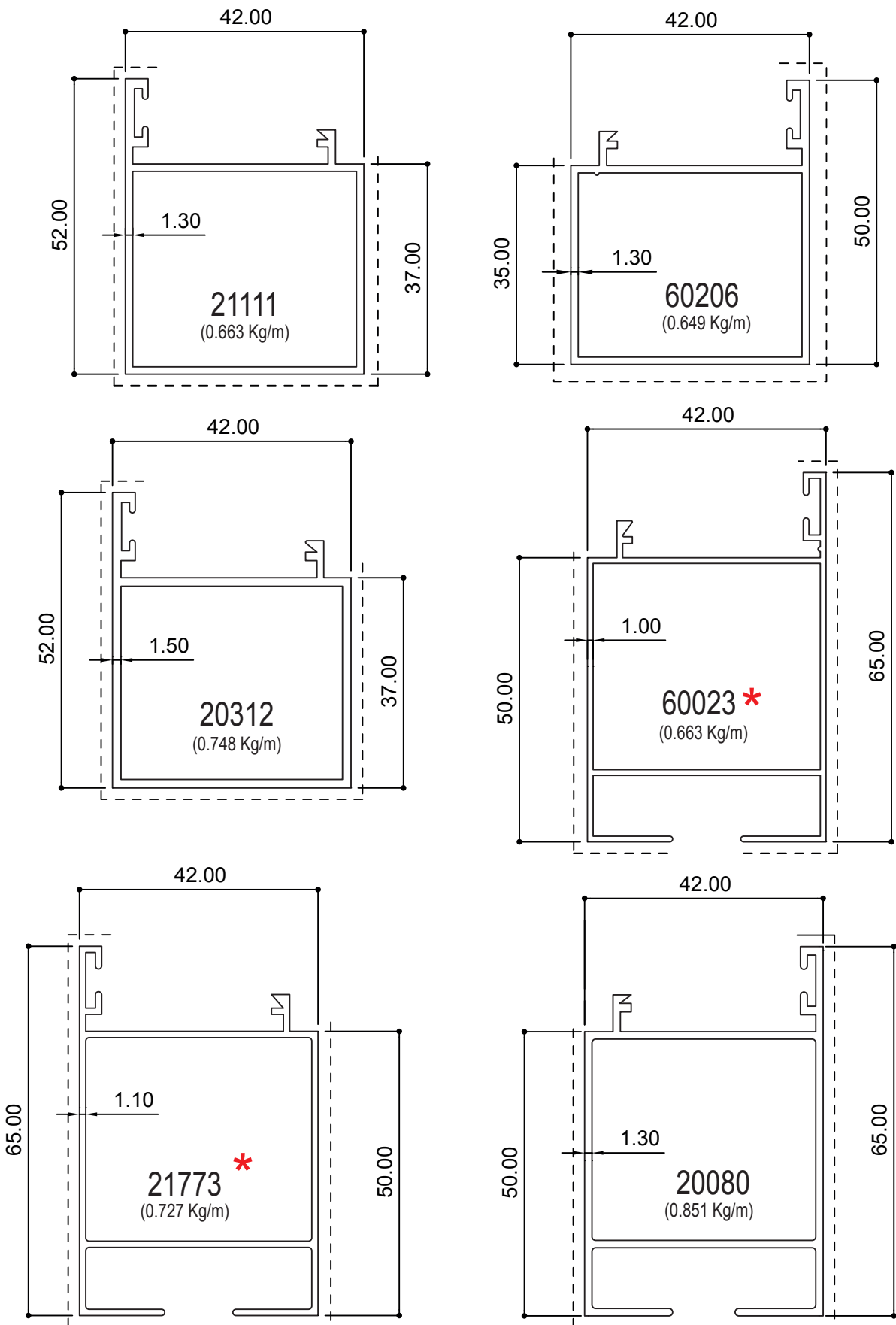
* For export, not recommended for GCC usage

Frame Profiles - 42 mm



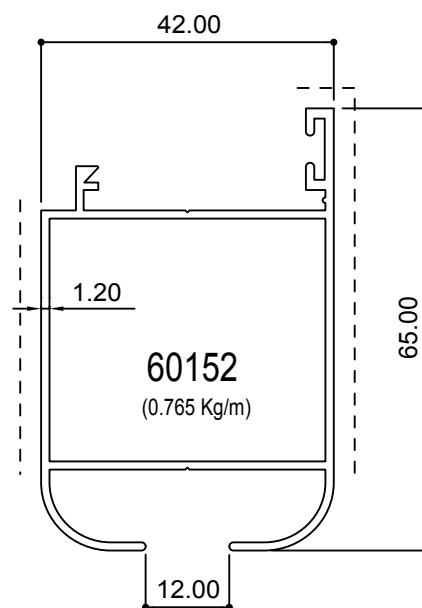
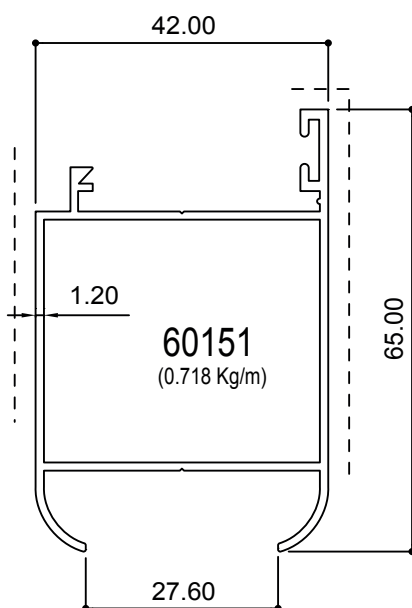
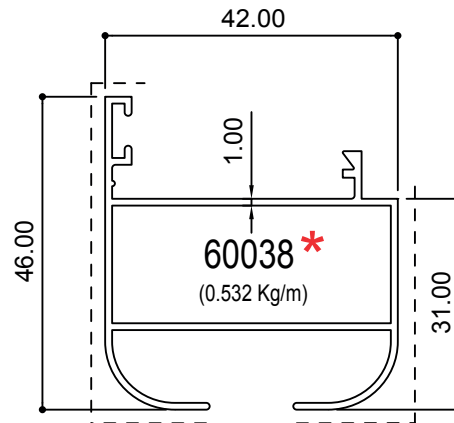
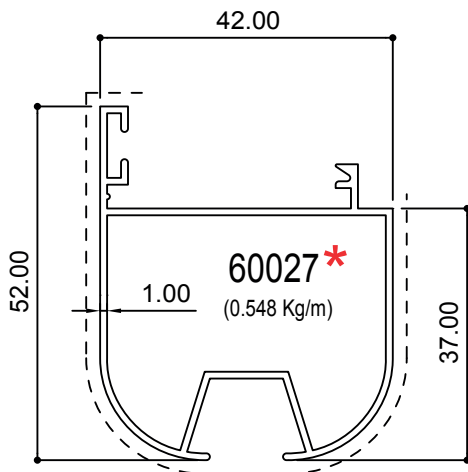
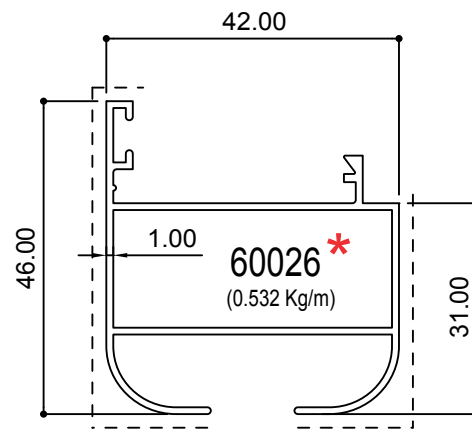
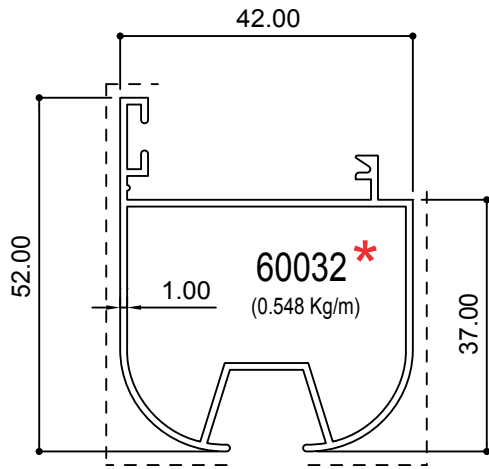
* For export, not recommended for GCC usage

Frame Profiles - 42 mm



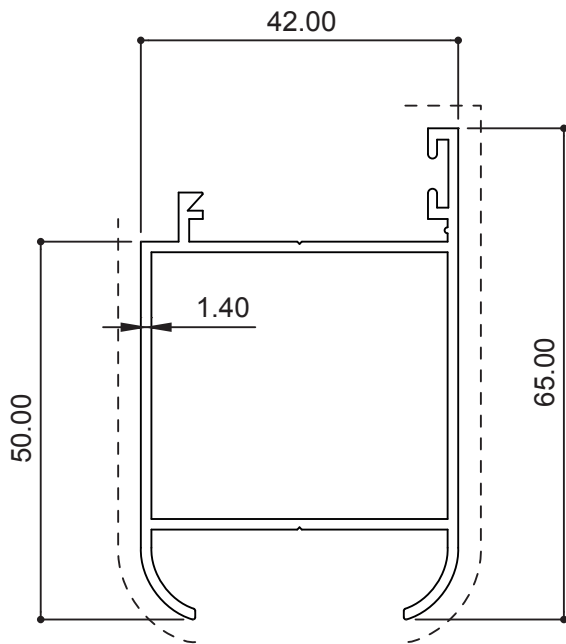
* For export, not recommended for GCC usage

Frame Profiles - 42 mm

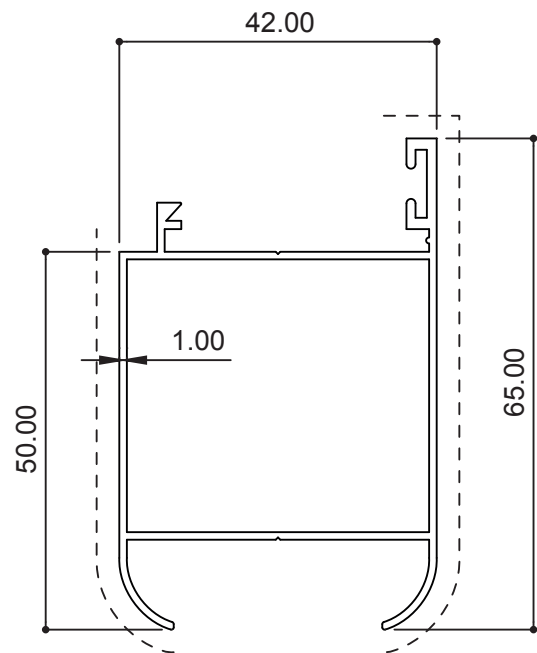


* For export, not recommended for GCC usage

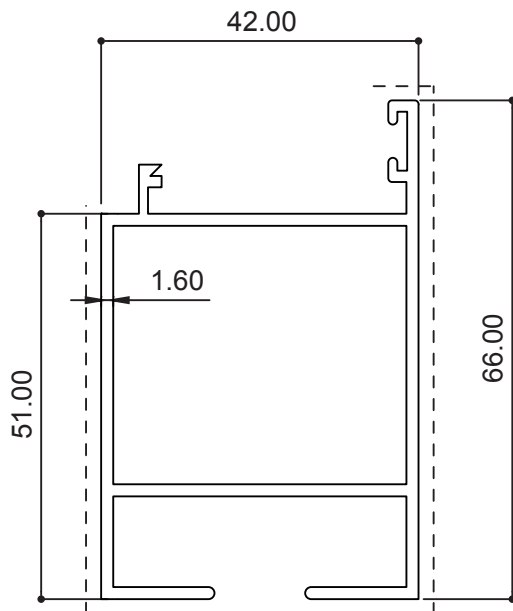
Frame Profiles - 42 mm



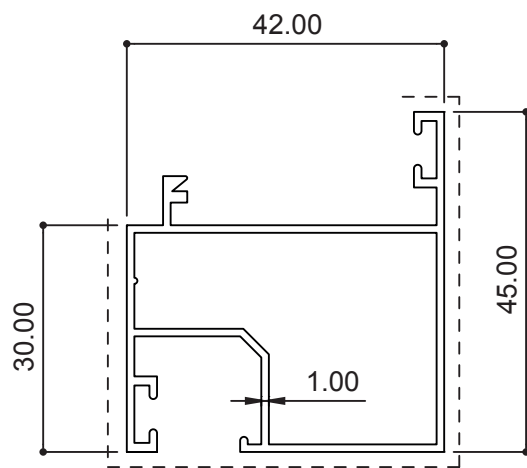
60210
(0.818 Kg/m)



60211 *
(0.620 Kg/m)



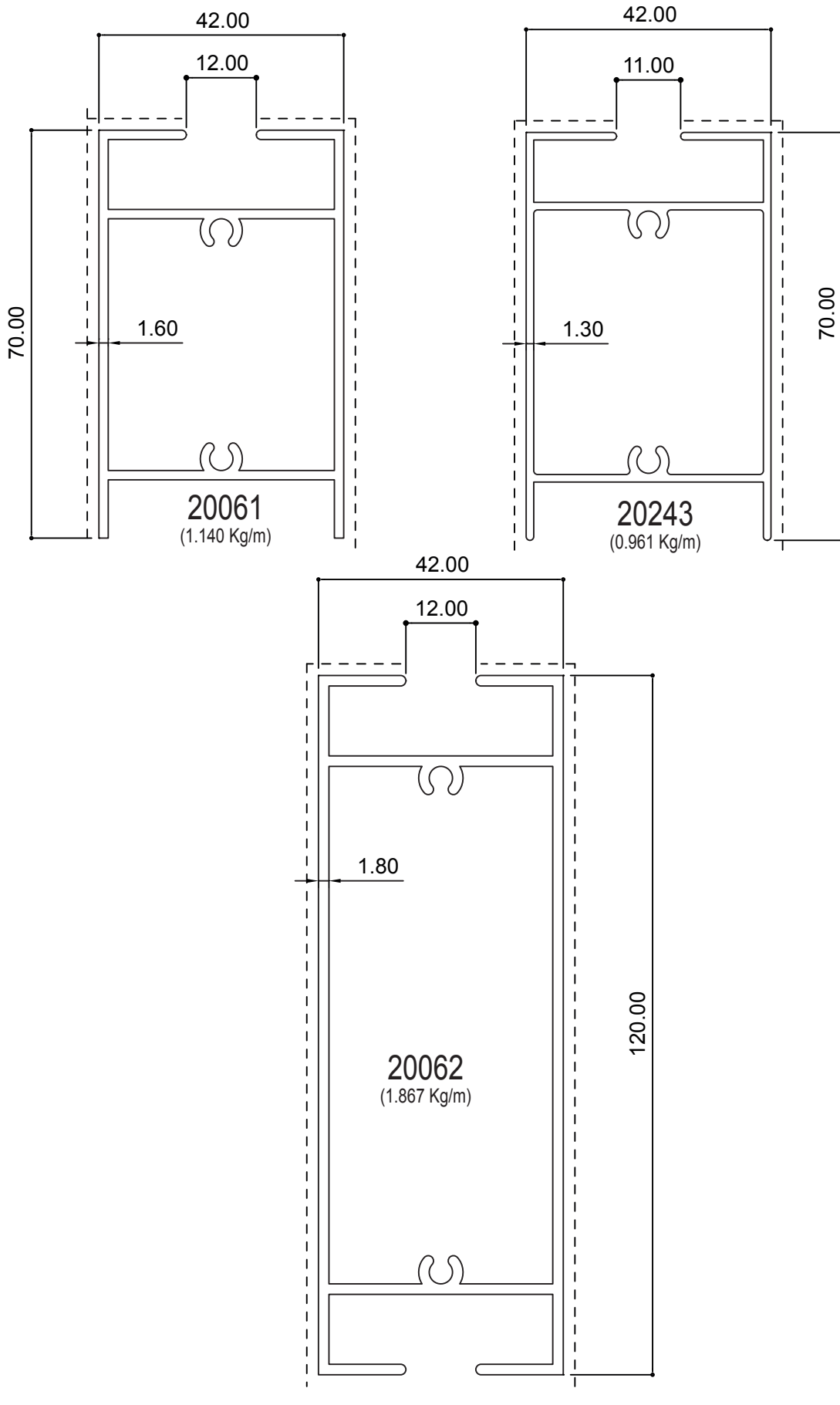
20057
(1.045 Kg/m)



60021 *
(0.556 Kg/m)

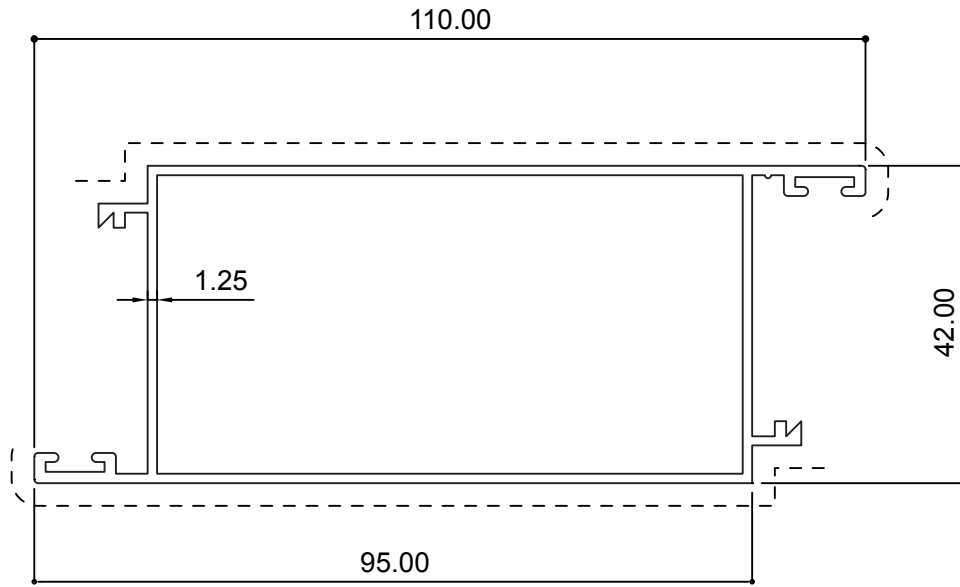
* For export, not recommended for GCC usage

Intermediate Profiles - 42 mm

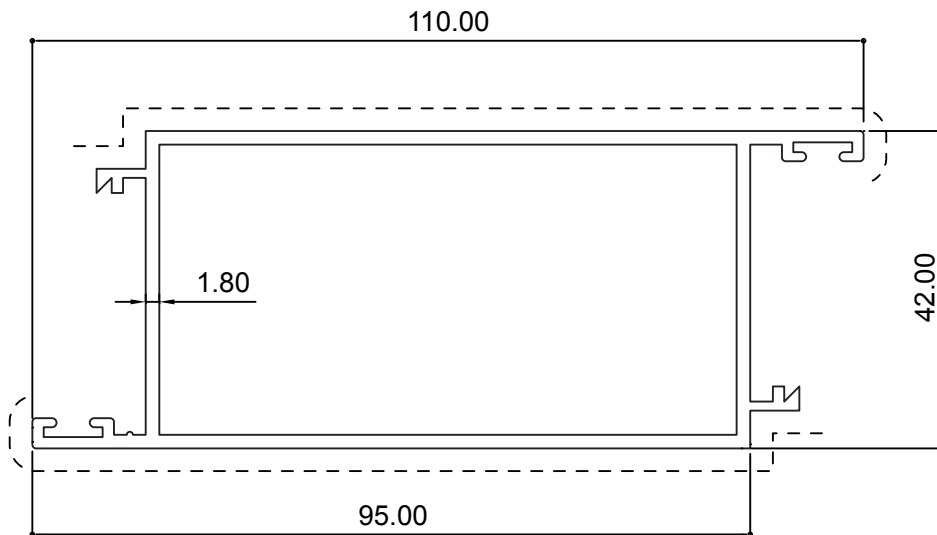


* For export, not recommended for GCC usage

Sash Profiles - 42 mm



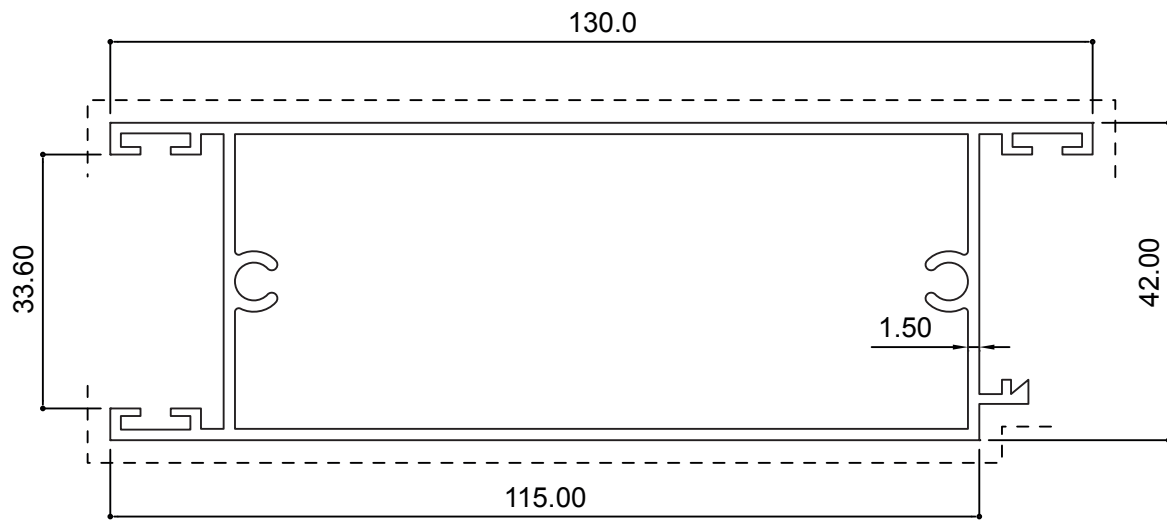
60012
(1.052 Kg/m)



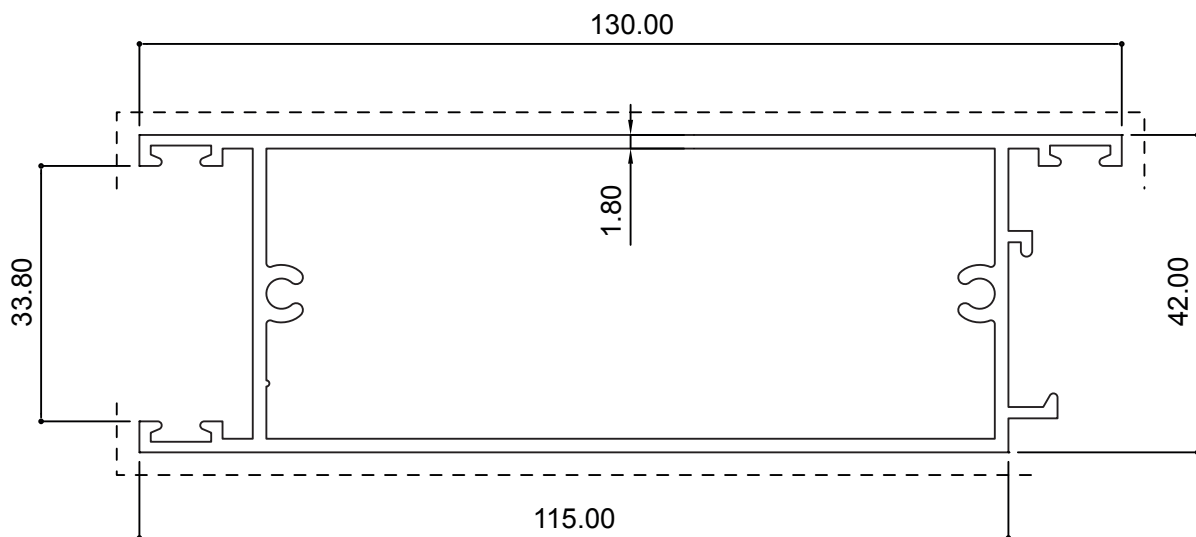
21459
(1.408 Kg/m)

* For export, not recommended for GCC usage

Sash Profiles - 42 mm



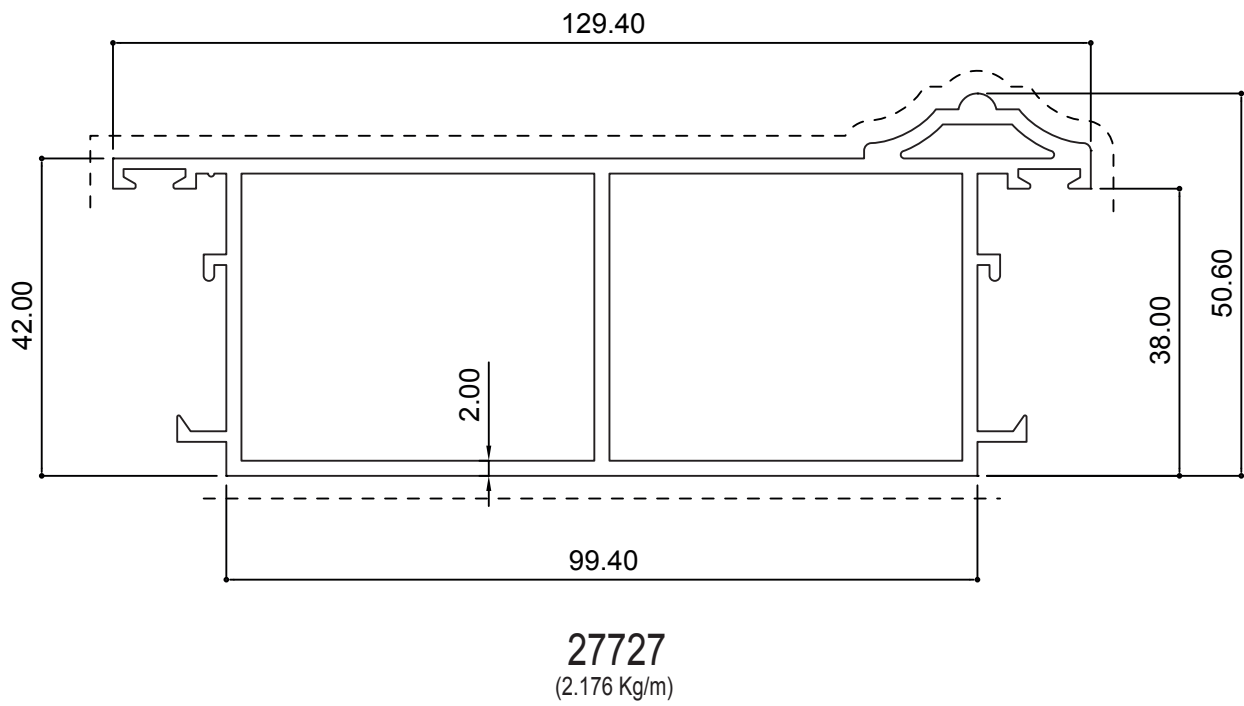
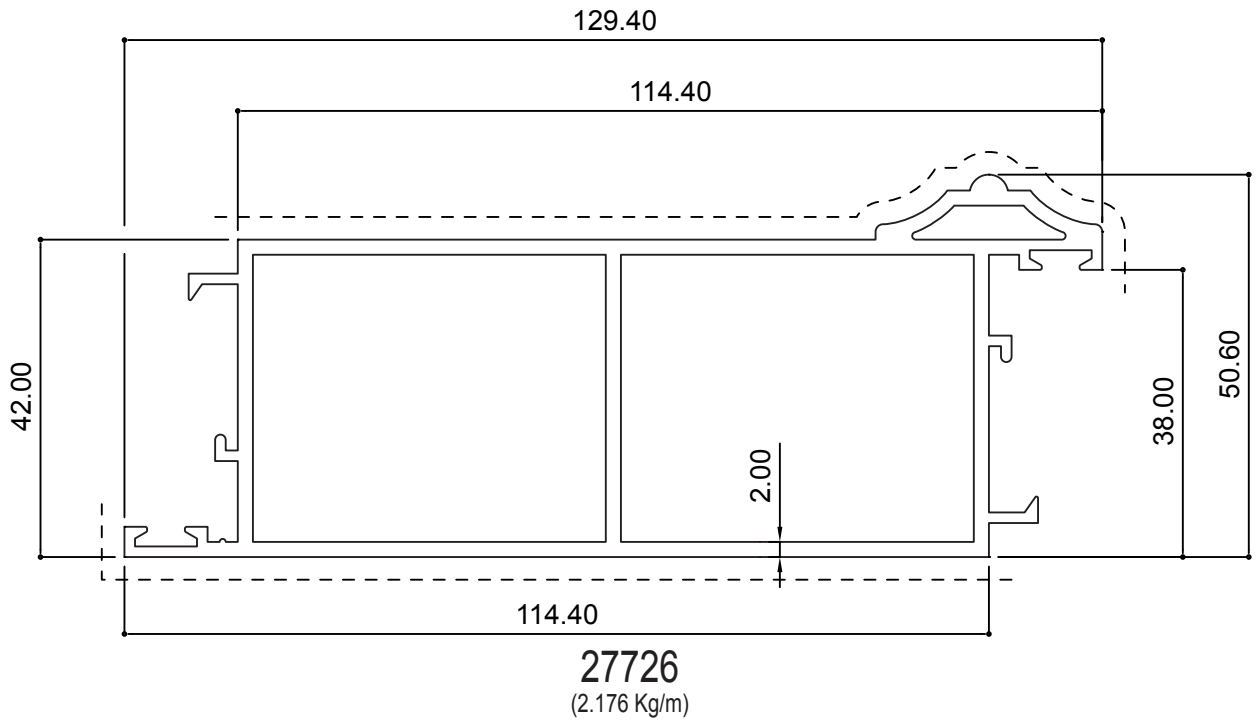
20585
(1.541 Kg/m)



60153
(1.774 Kg/m)

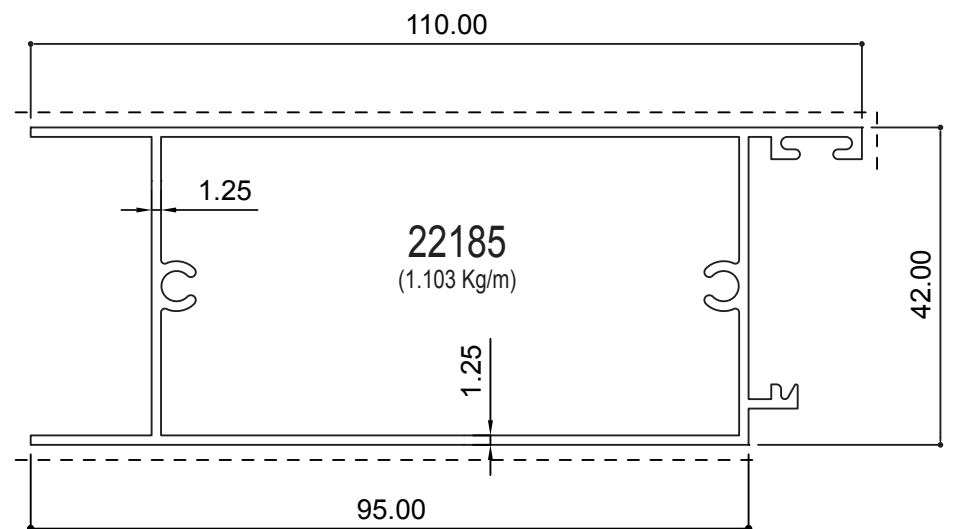
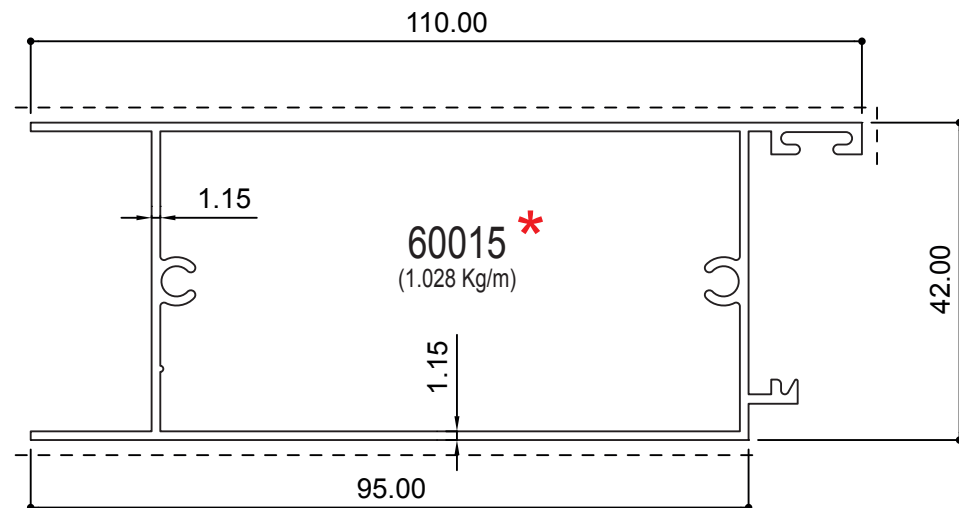
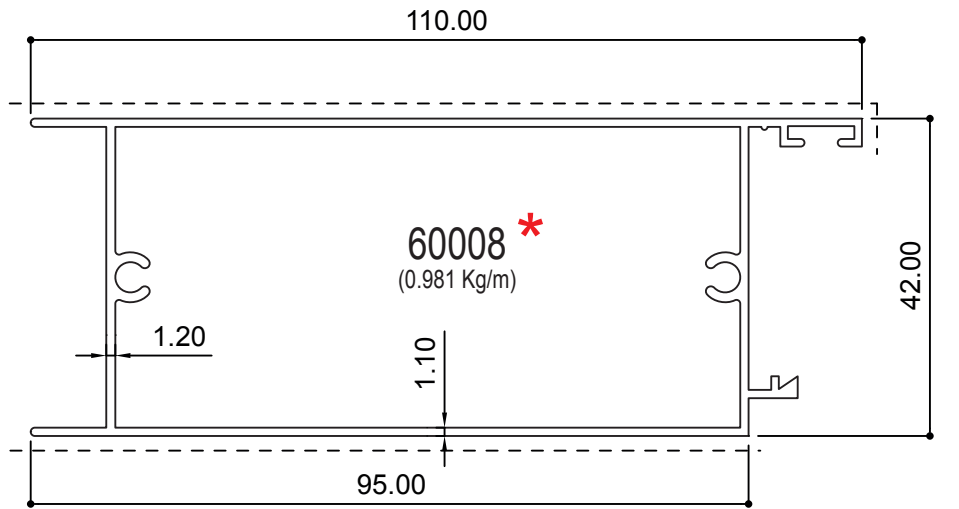
* For export, not recommended for GCC usage

Sash Profiles - 42 mm



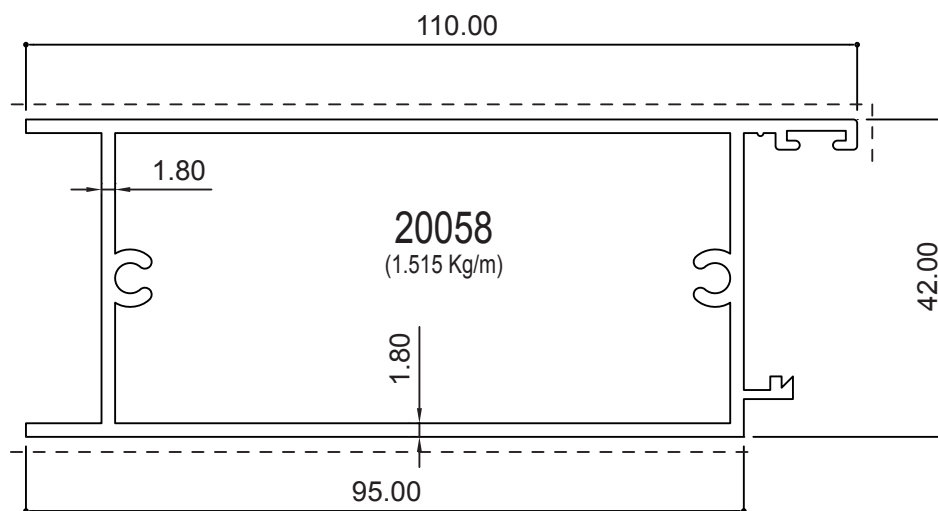
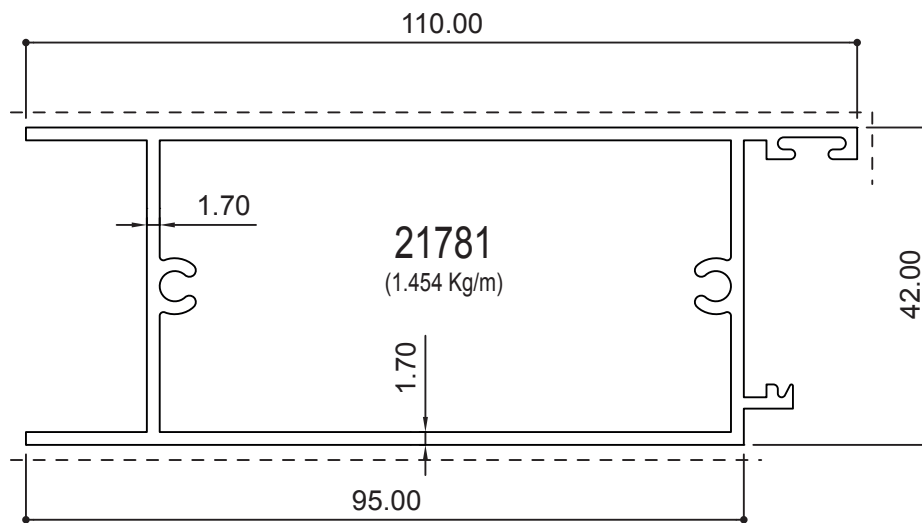
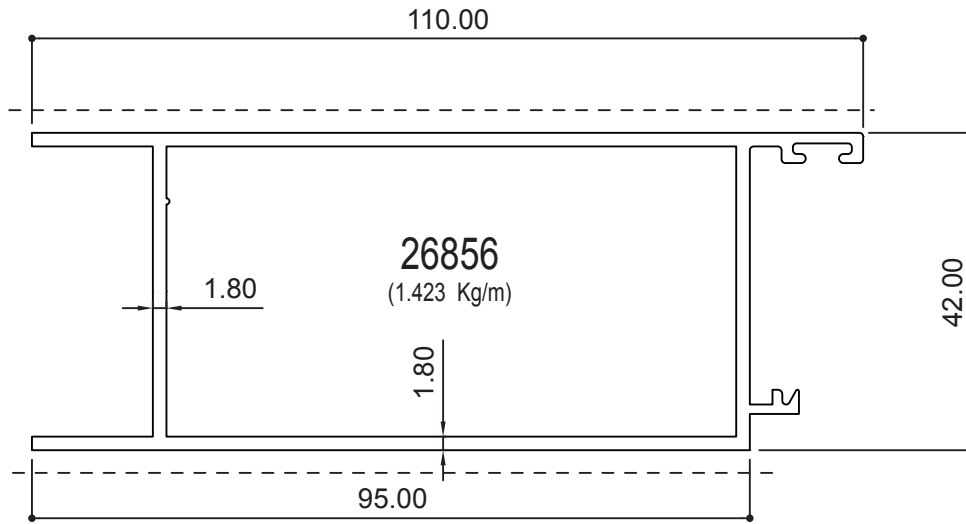
* For export, not recommended for GCC usage

Bottom Profiles - 42 mm



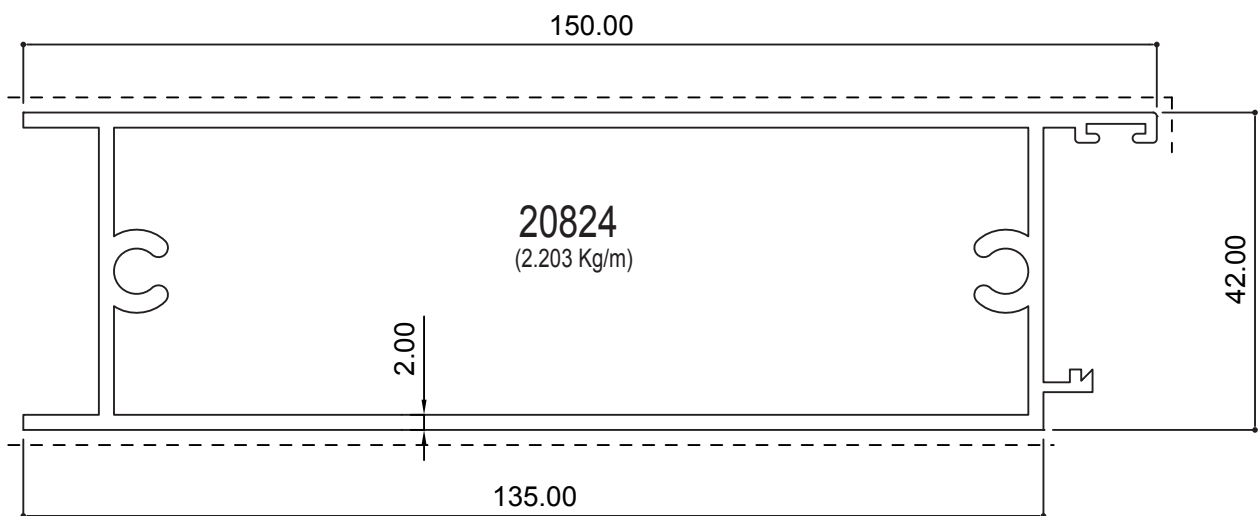
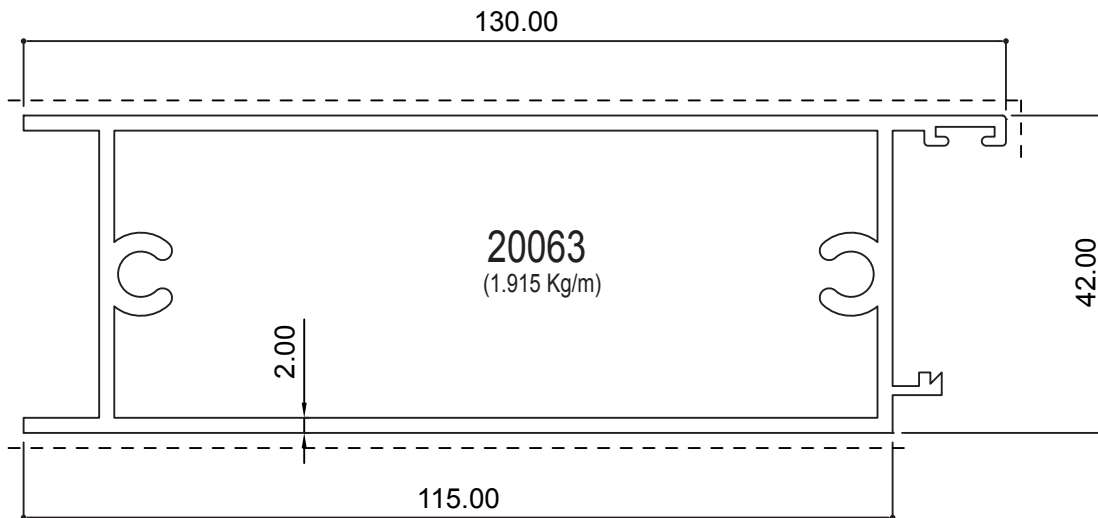
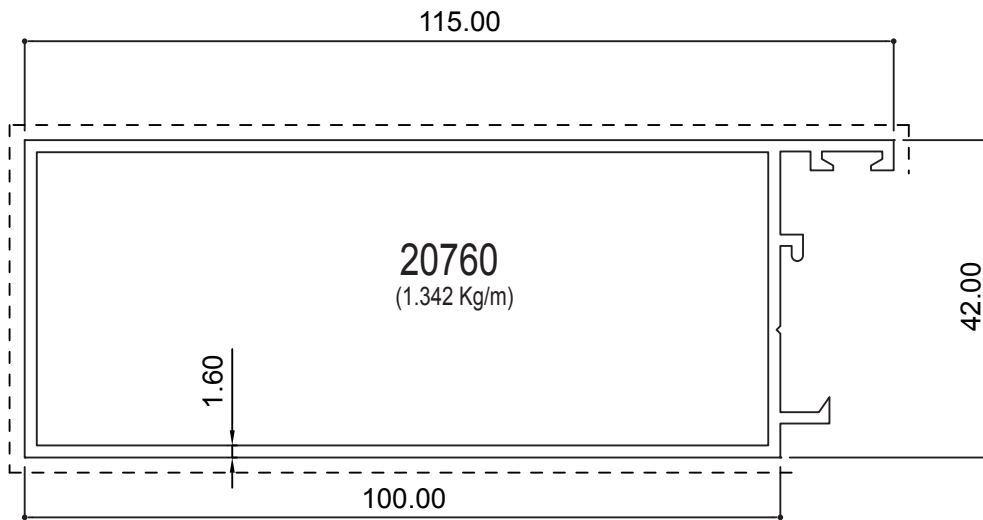
* For export, not recommended for GCC usage

Bottom Profiles - 42 mm



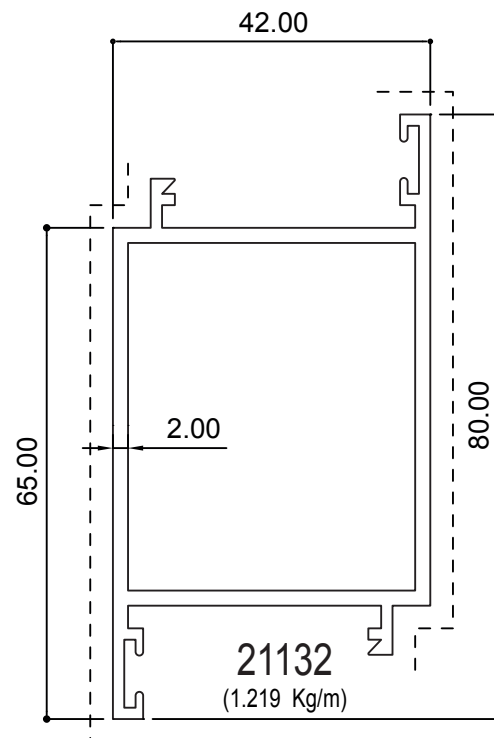
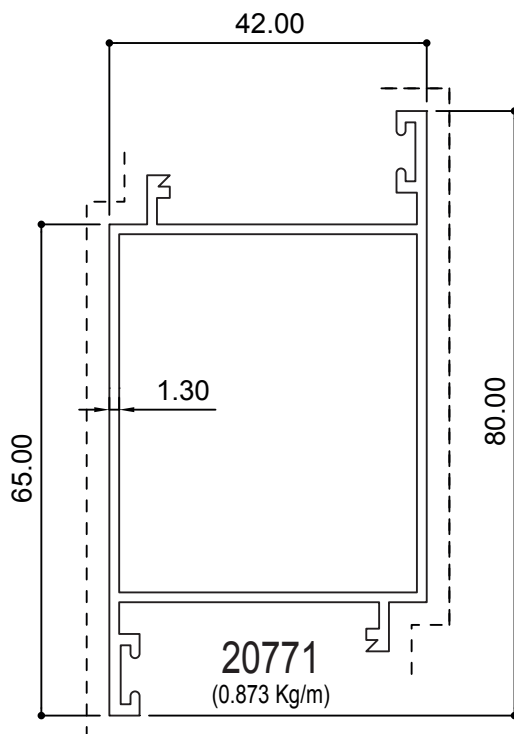
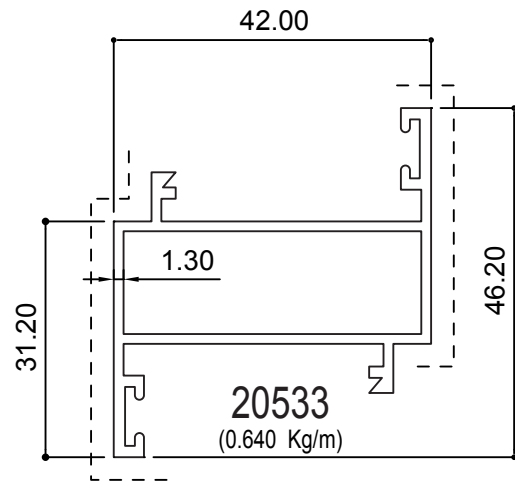
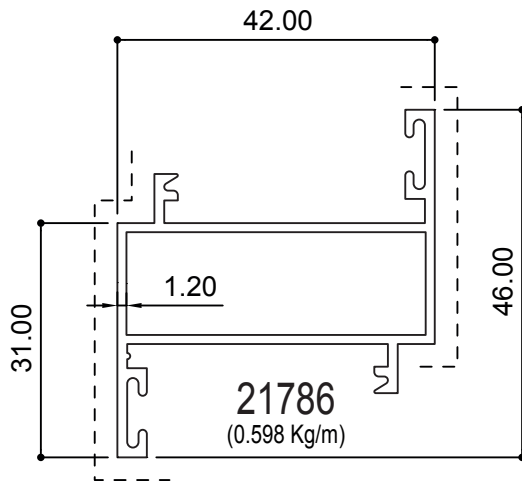
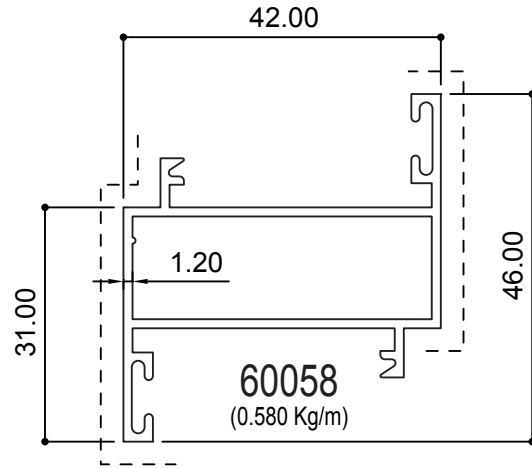
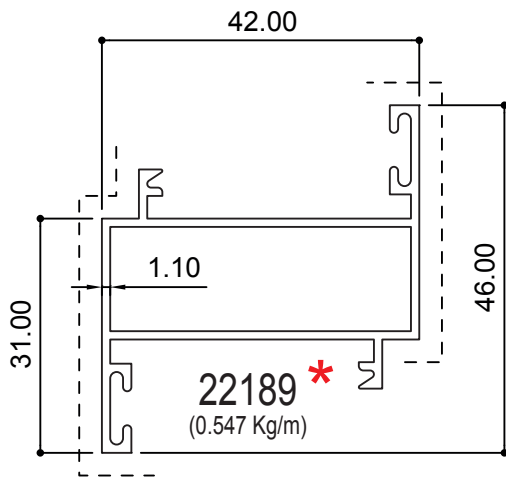
* For export, not recommended for GCC usage

Bottom Profiles - 42 mm



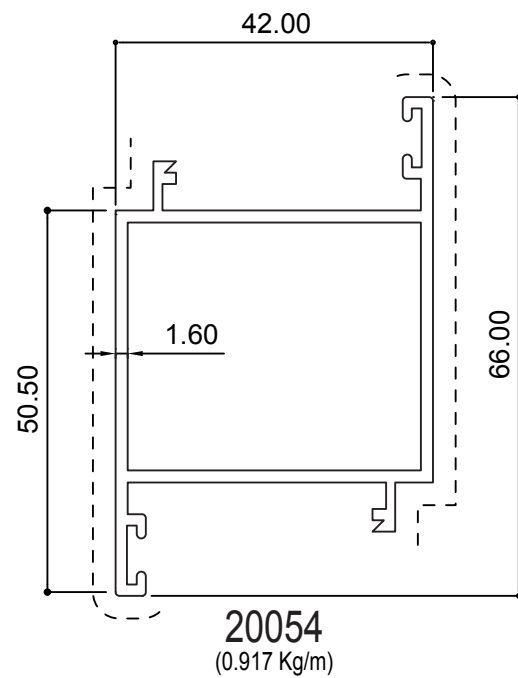
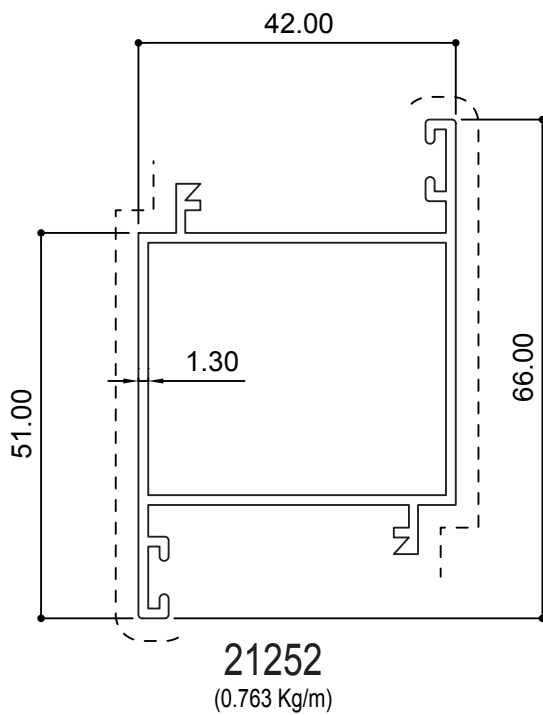
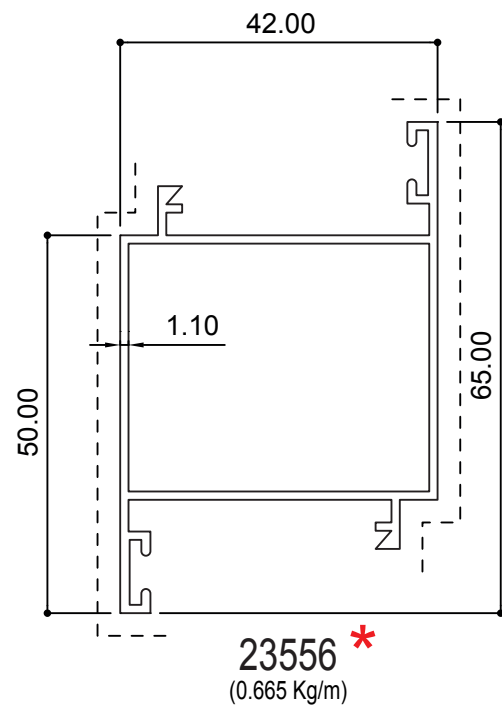
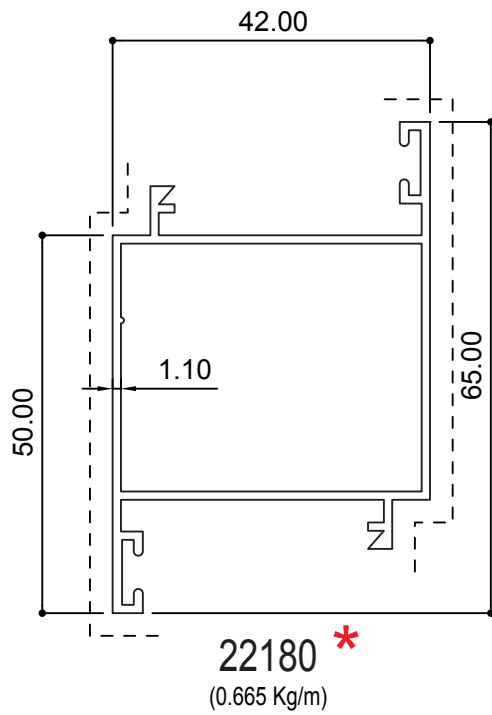
* For export, not recommended for GCC usage

Sash Profiles - 42 mm



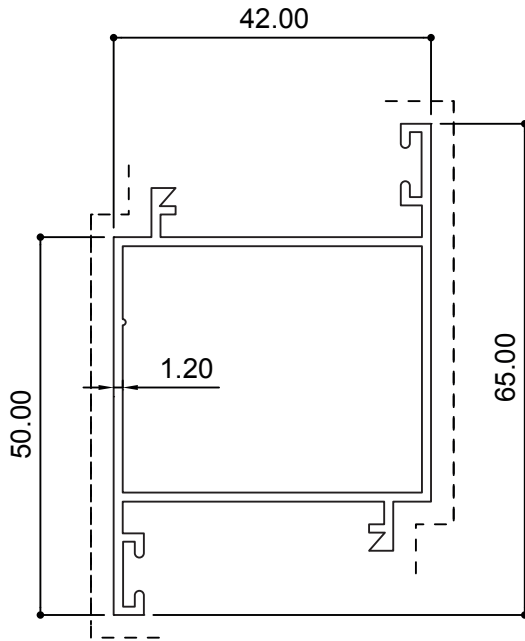
* For export, not recommended for GCC usage

Sash Profiles - 42 mm

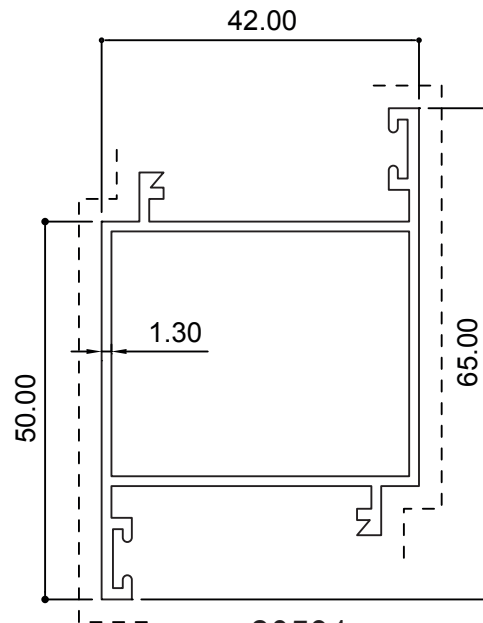


* For export, not recommended for GCC usage

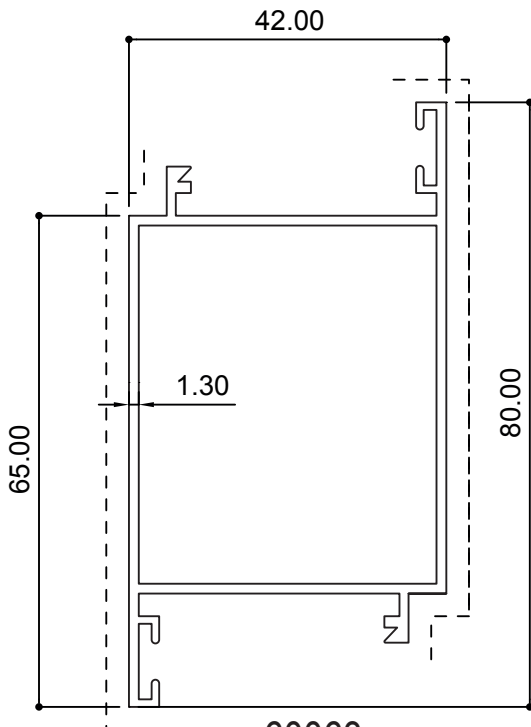
Sash Profiles - 42 mm



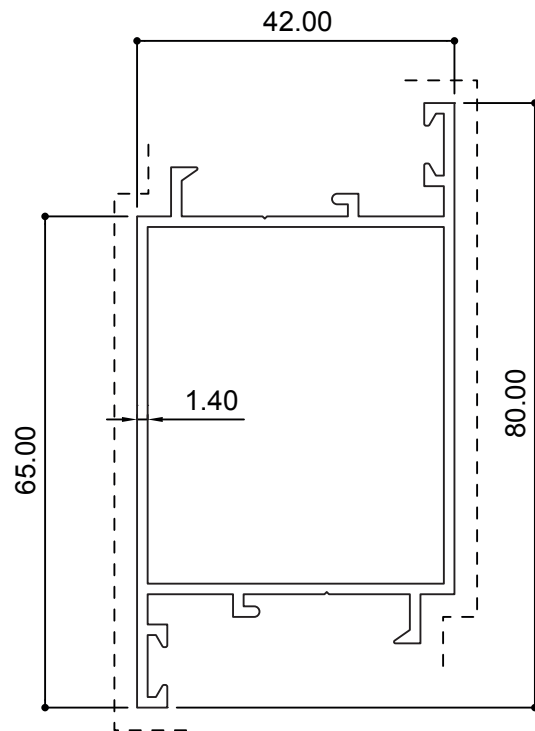
60060
(0.709 Kg/m)



20531
(0.772 Kg/m)



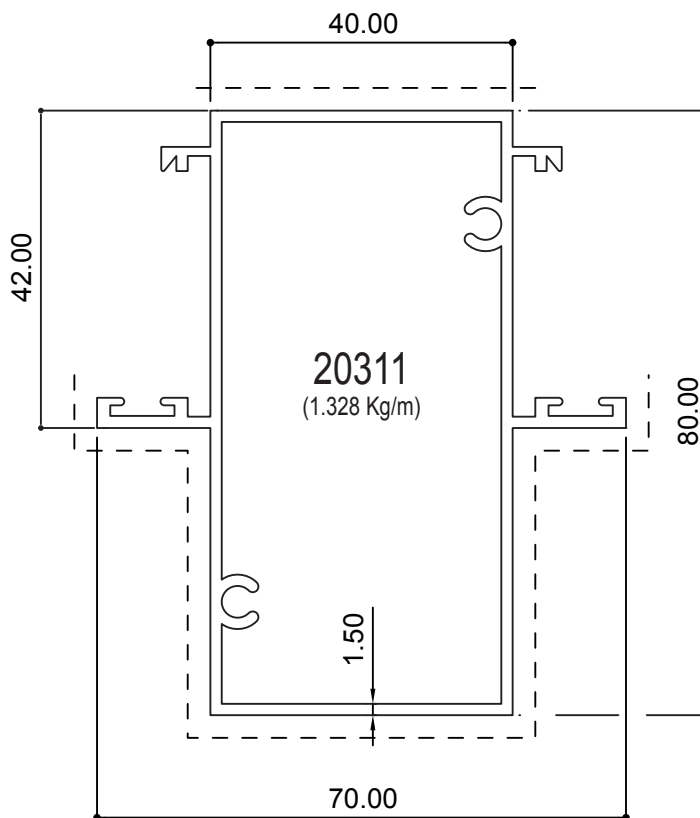
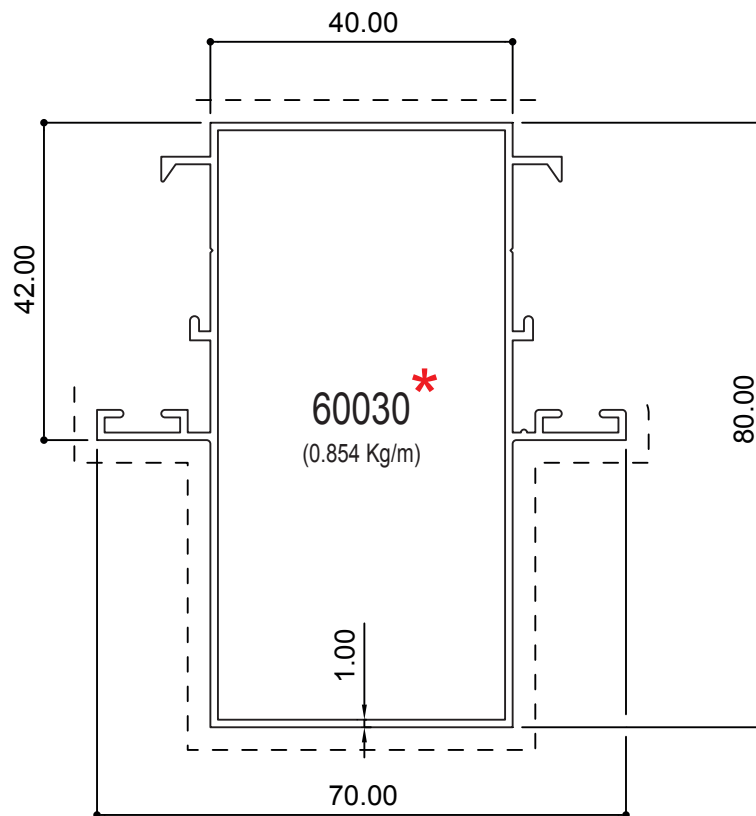
60063
(0.859 Kg/m)



22284
(0.943 Kg/m)

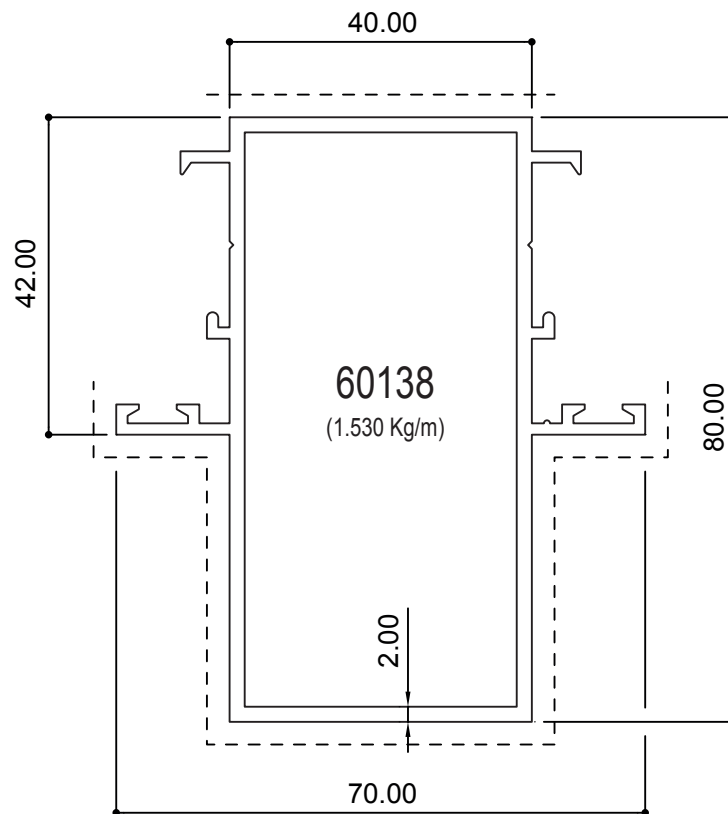
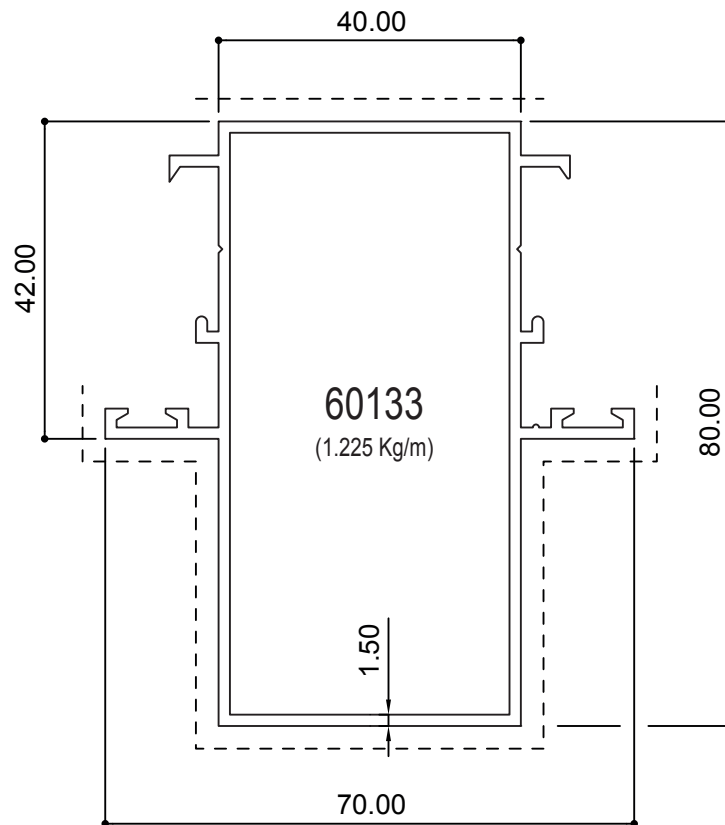
* For export, not recommended for GCC usage

T Profiles - 42 mm



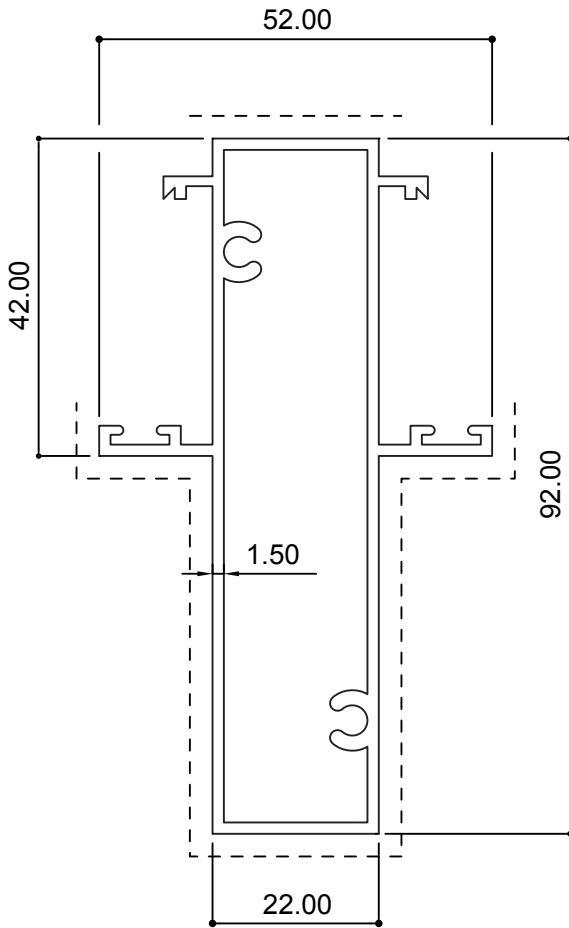
* For export, not recommended for GCC usage

T Profiles - 42 mm

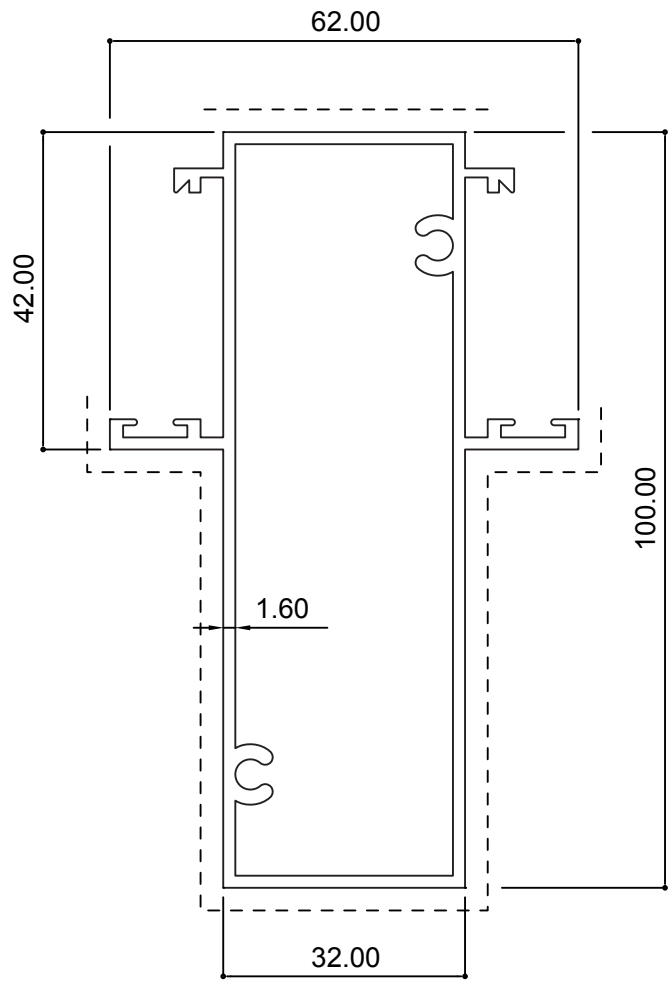


* For export, not recommended for GCC usage

T Profiles - 42 mm



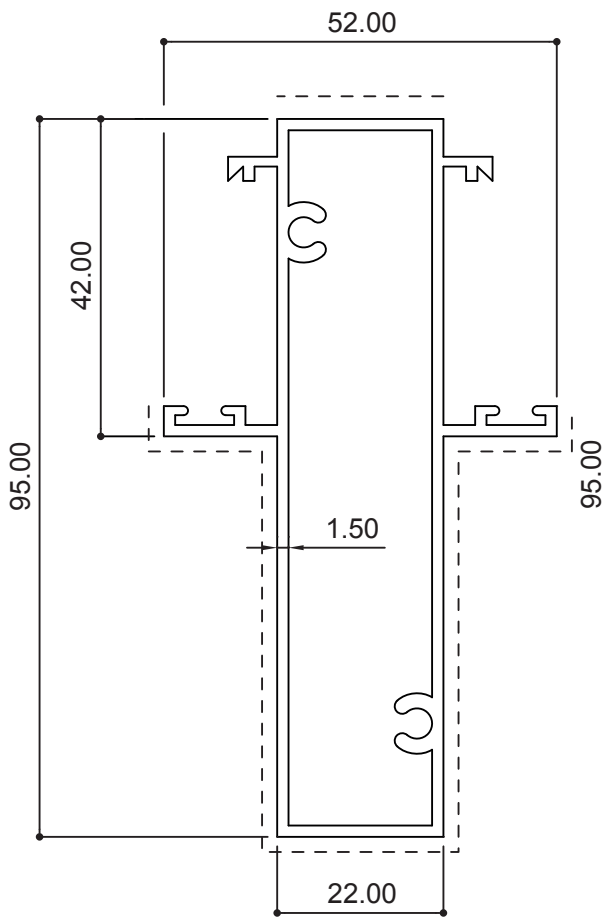
21373
(1.260 Kg/m)



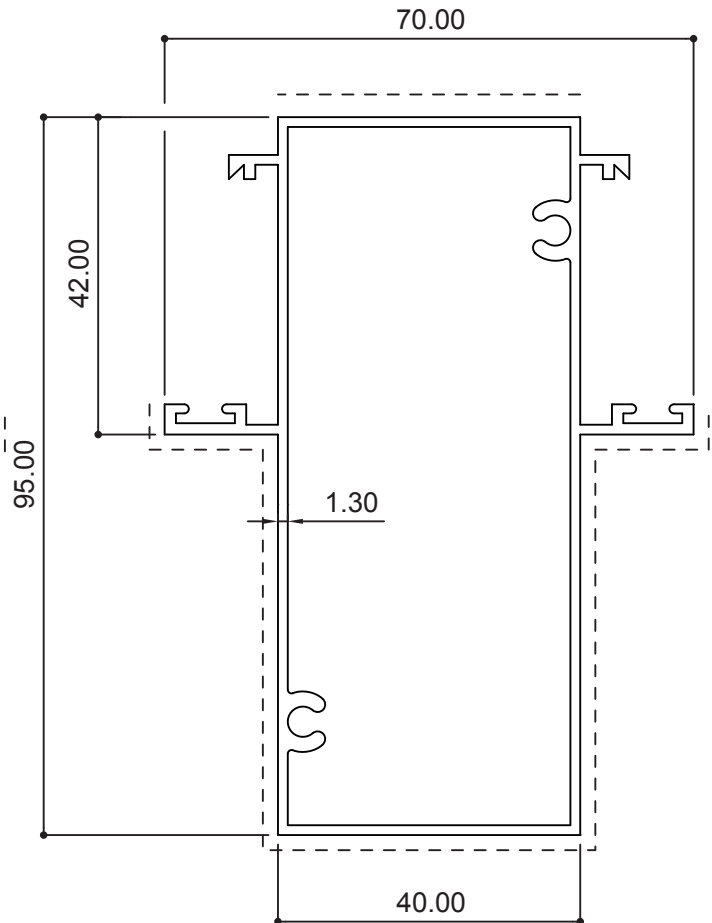
20384
(1.487 Kg/m)

* For export, not recommended for GCC usage

T Profiles - 42 mm



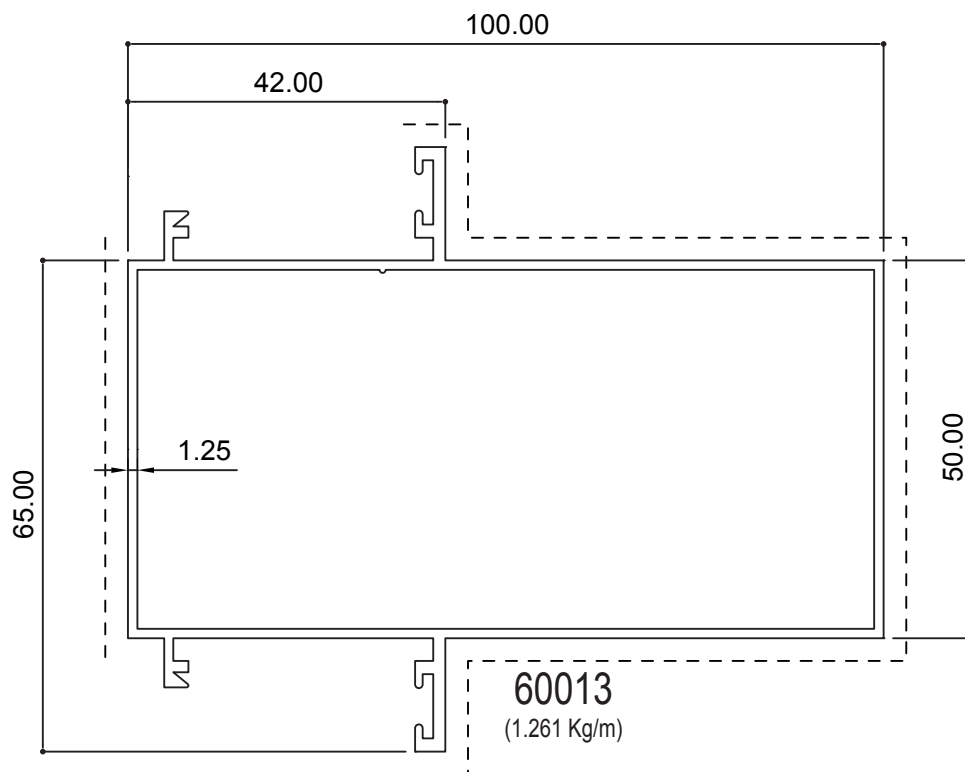
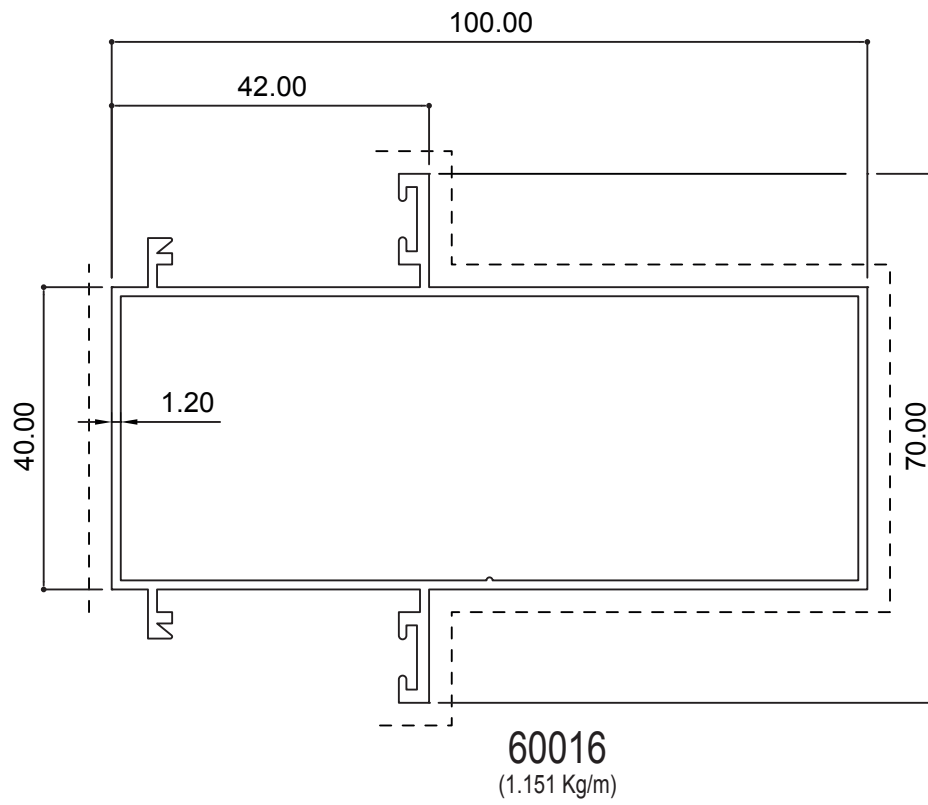
20825
(1.289 Kg/m)



21026
(1.291 Kg/m)

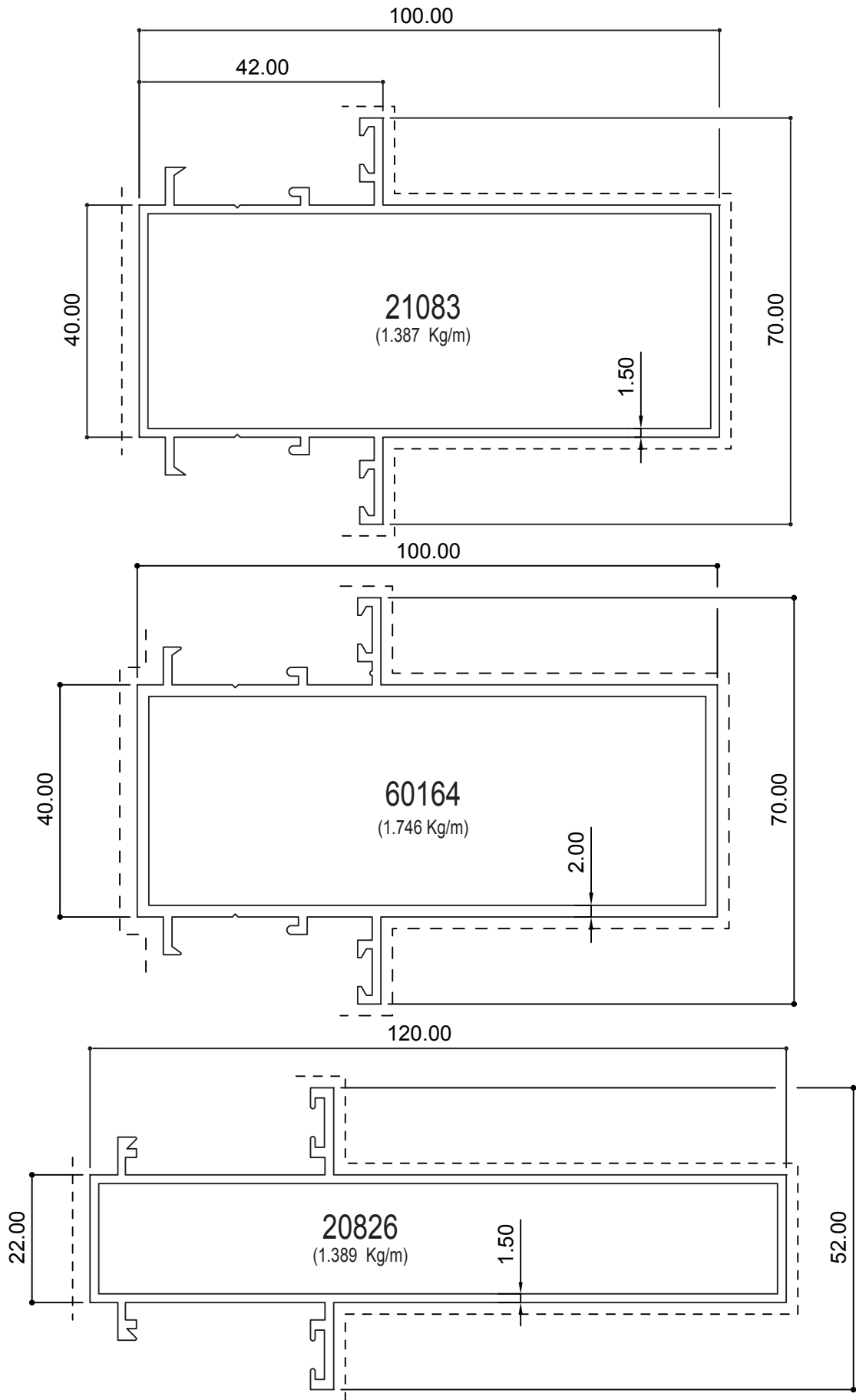
* For export, not recommended for GCC usage

T Profiles - 42 mm



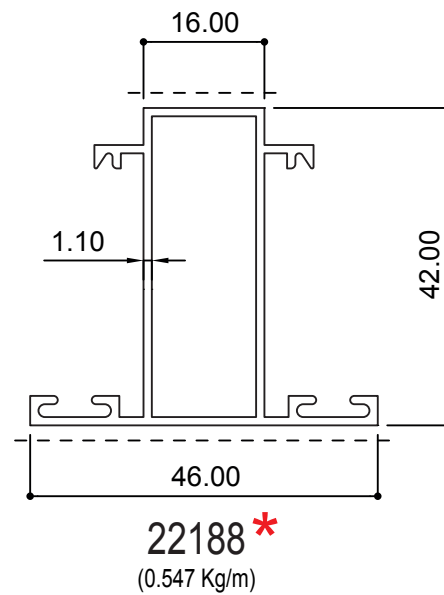
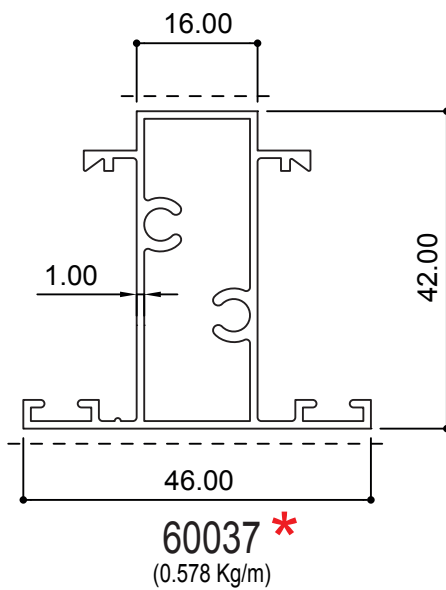
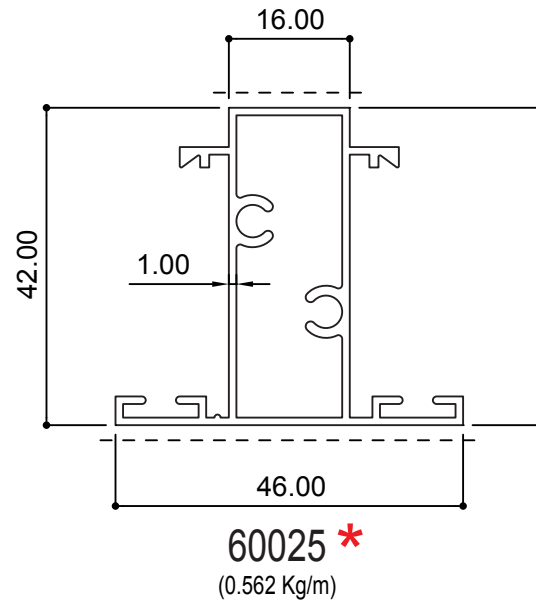
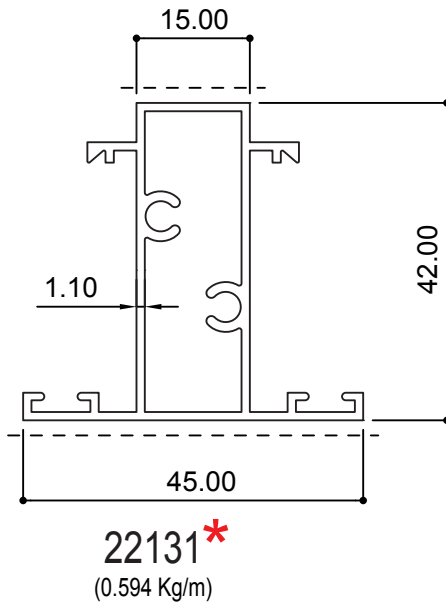
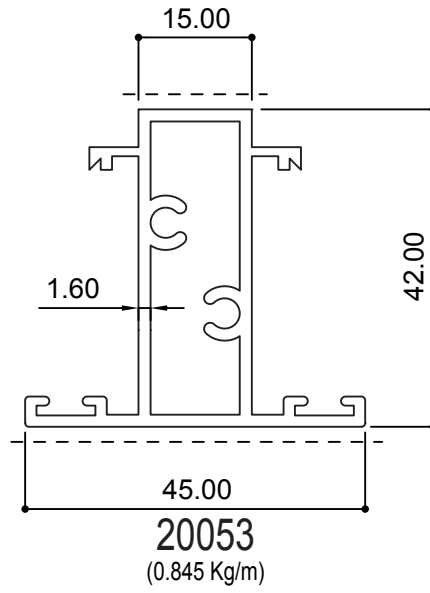
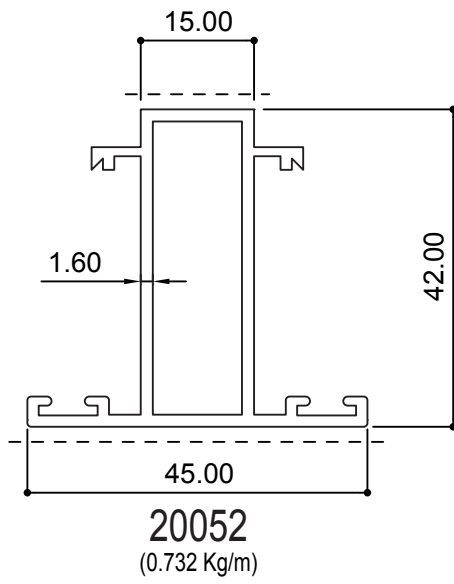
* For export, not recommended for GCC usage

T Profiles - 42 mm



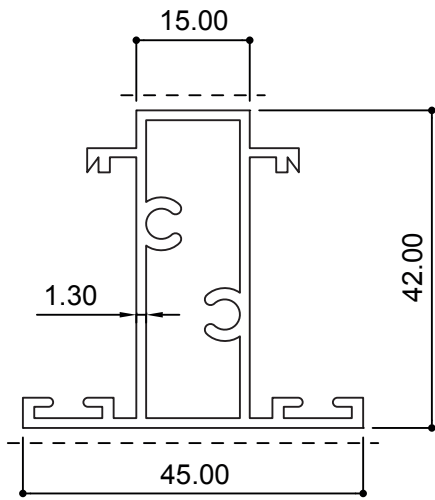
* For export, not recommended for GCC usage

T Profiles - 42 mm



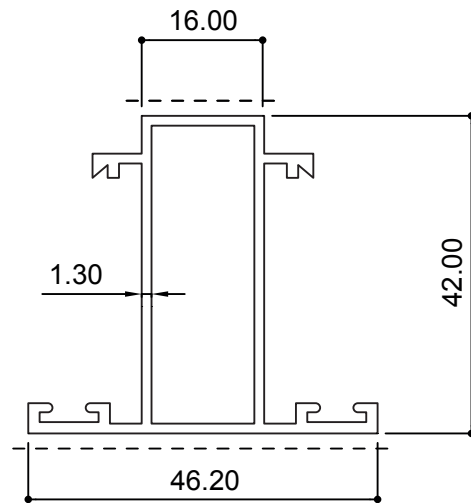
* For export, not recommended for GCC usage

T Profiles - 42 mm



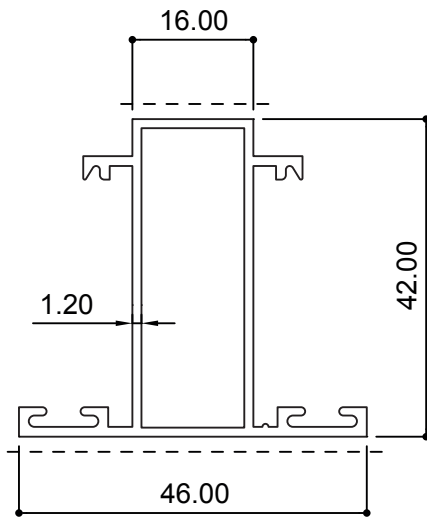
20079

(0.704 Kg/m)



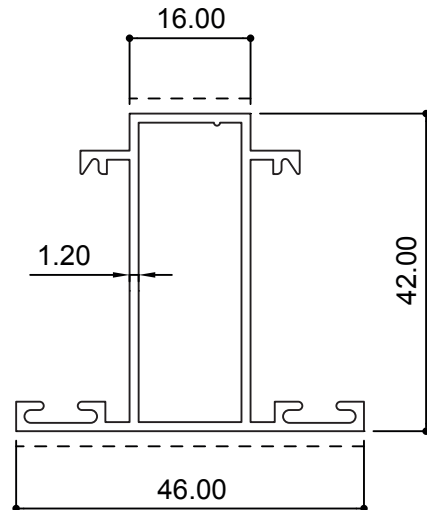
20534

(0.640 Kg/m)



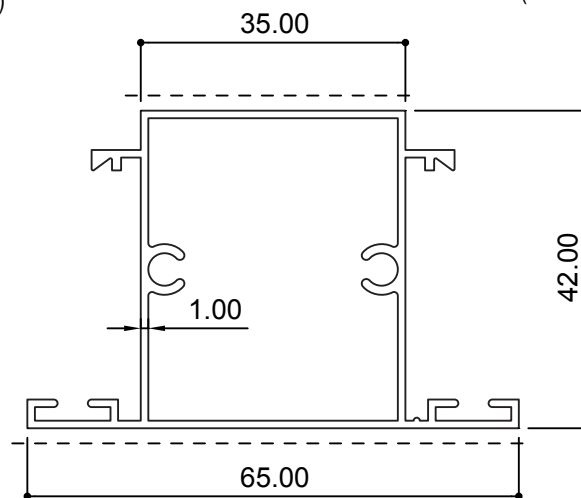
21785

(0.598 Kg/m)



60059

(0.580 Kg/m)

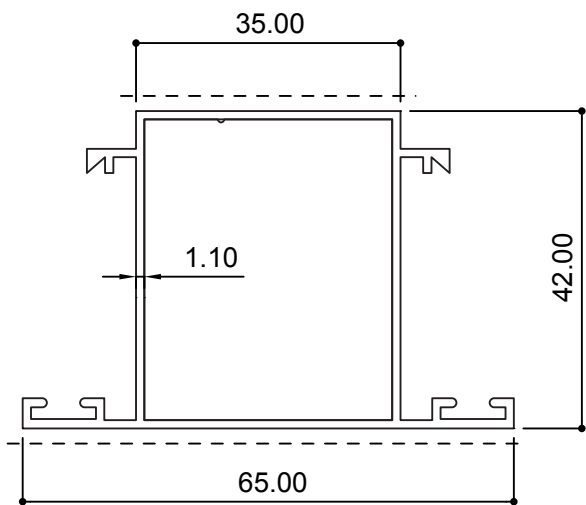


60024 *

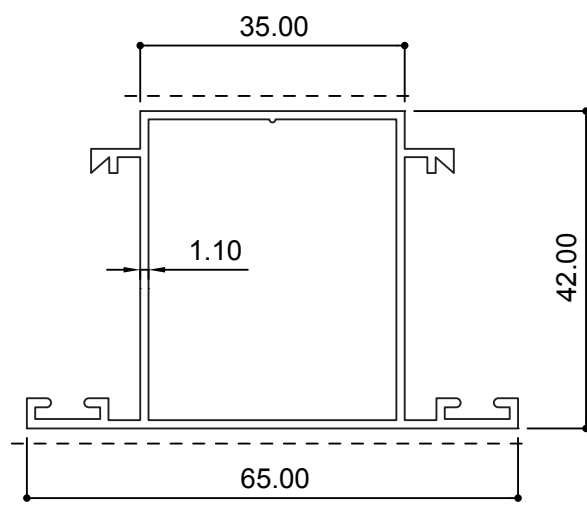
(0.664 Kg/m)

* For export, not recommended for GCC usage

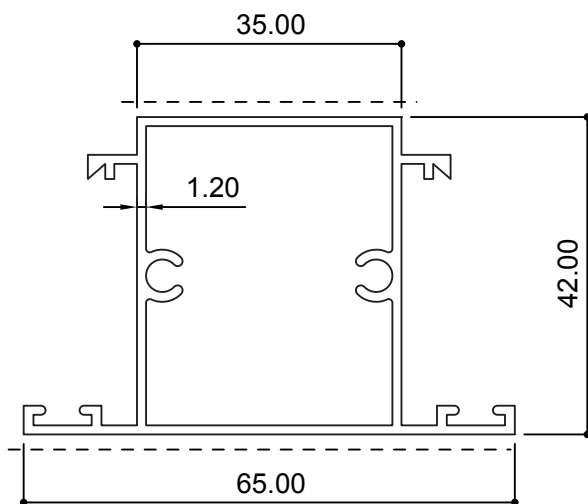
T Profiles - 42 mm



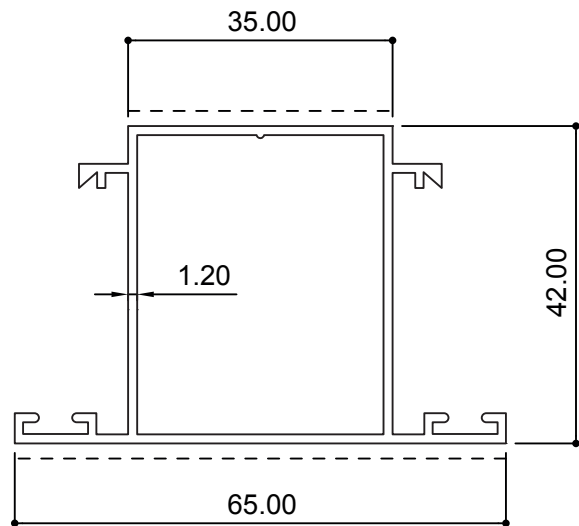
22181 *
(0.665 Kg/m)



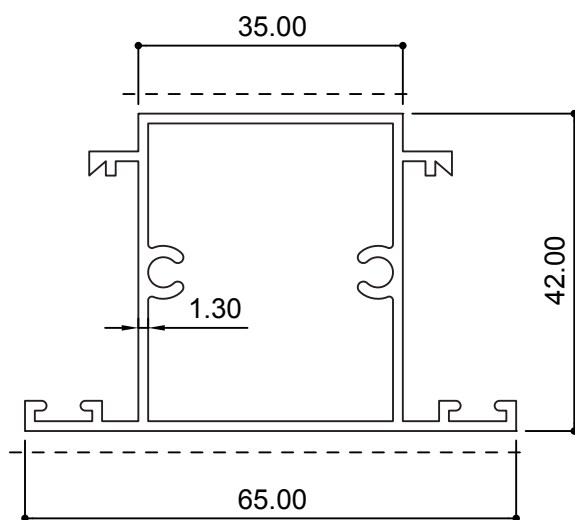
23557 *
(0.665 Kg/m)



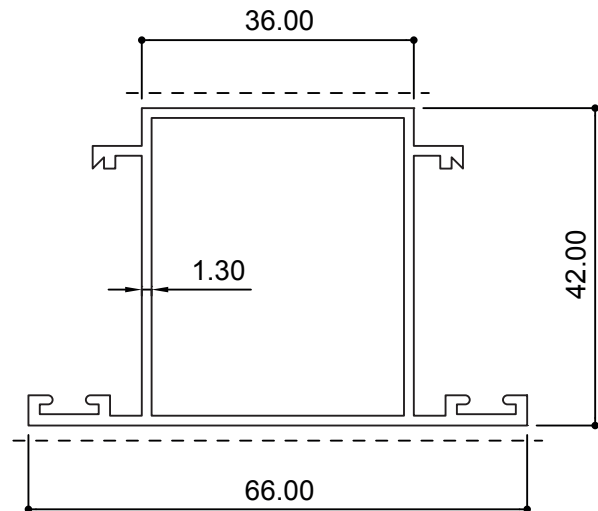
21047
(0.780 Kg/m)



60061
(0.709 Kg/m)



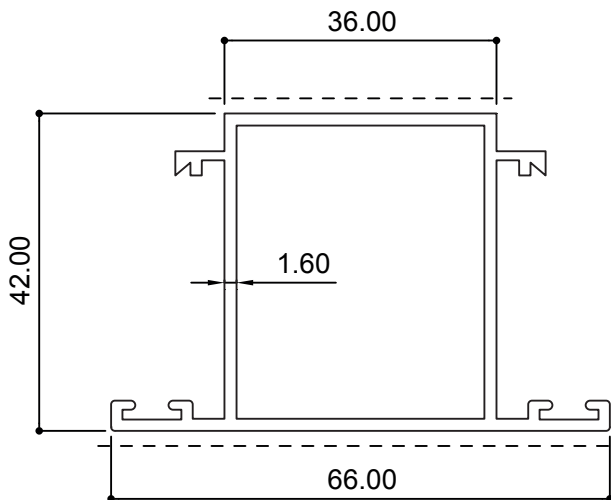
21097
(0.838 Kg/m)



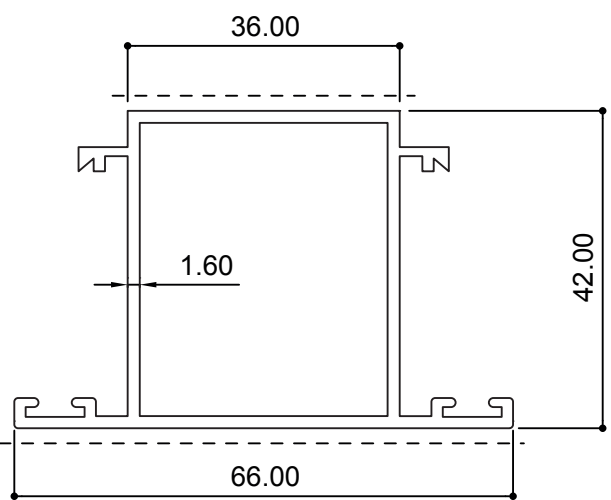
20532
(0.772 Kg/m)

* For export, not recommended for GCC usage

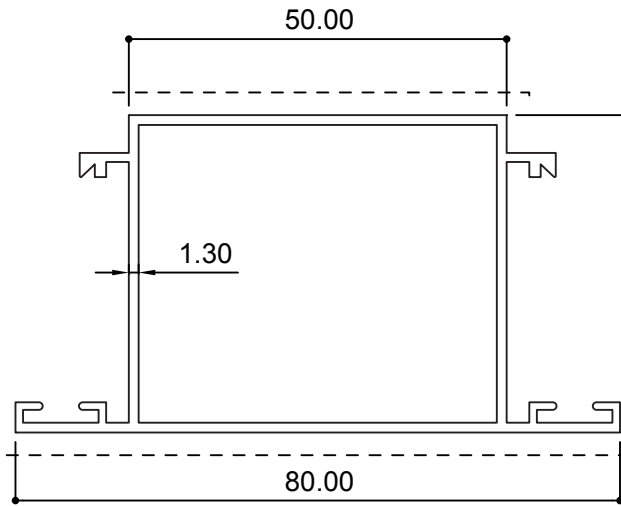
T Profiles - 42 mm



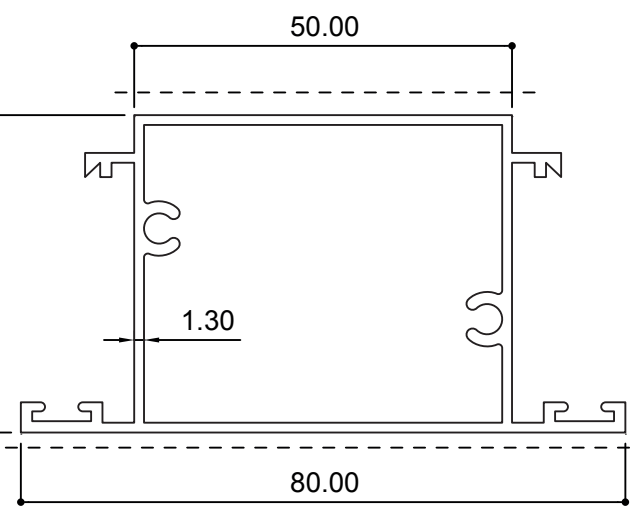
20055
(0.901 Kg/m)



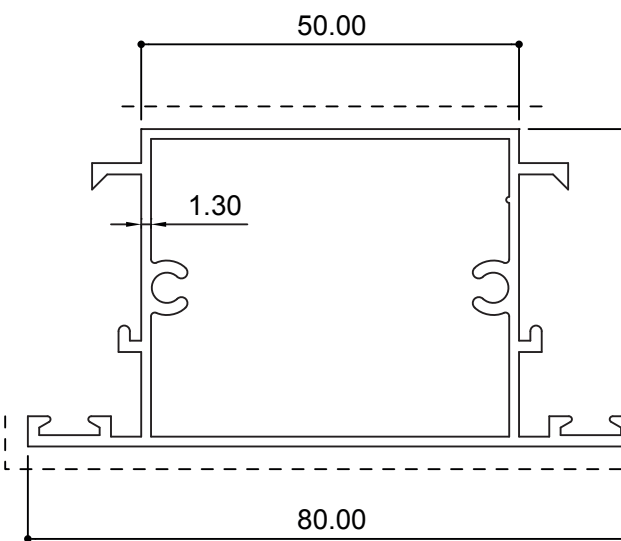
24334
(0.901 Kg/m)



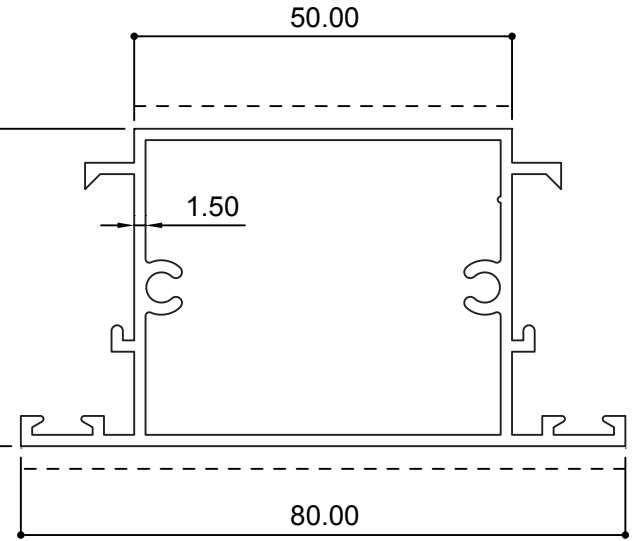
60064
(0.861 Kg/m)



21028
(0.965 Kg/m)



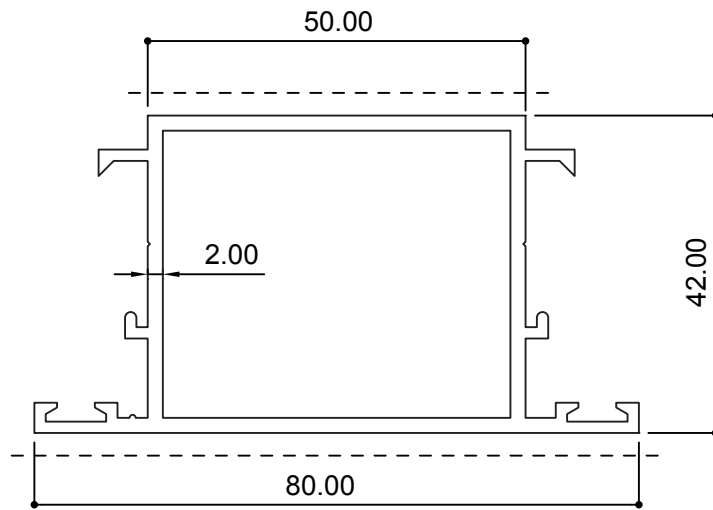
60213
(0.997 Kg/m)



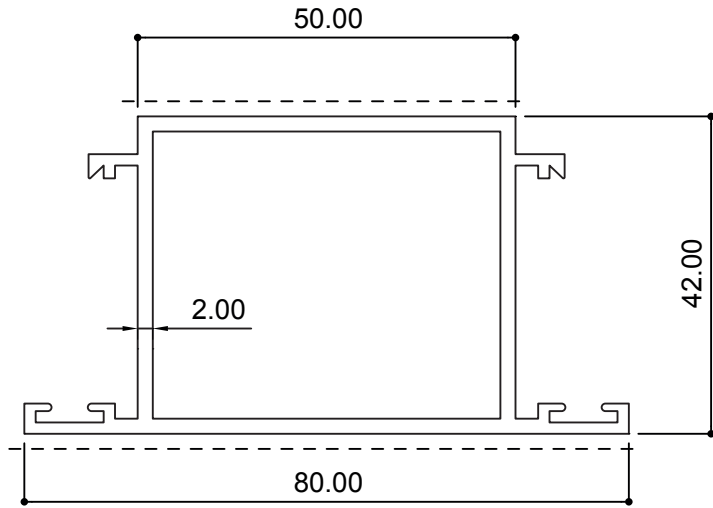
60159
(1.095 Kg/m)

* For export, not recommended for GCC usage

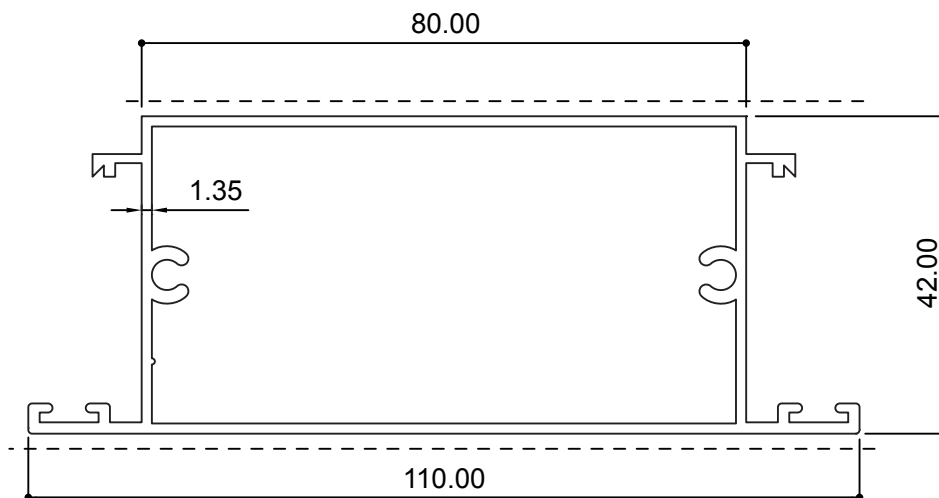
T Profiles - 42 mm



60136
(1.243 Kg/m)



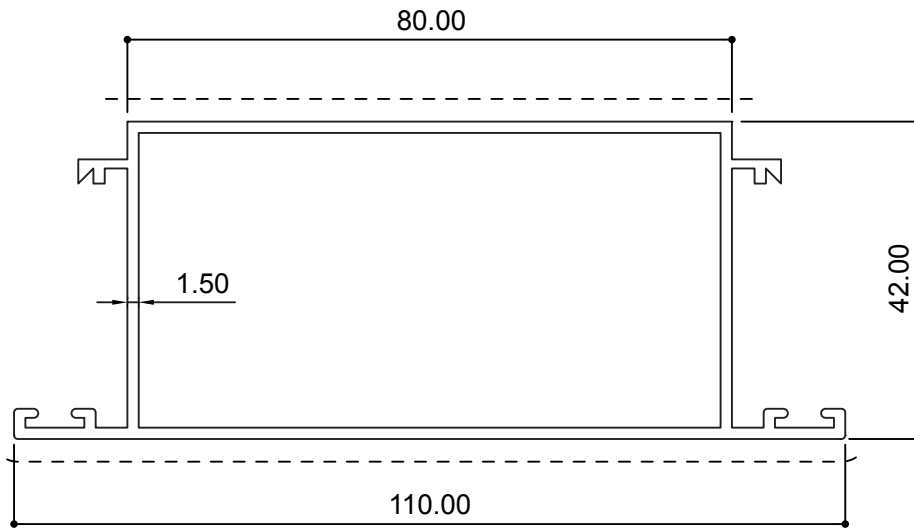
21133
(1.219 Kg/m)



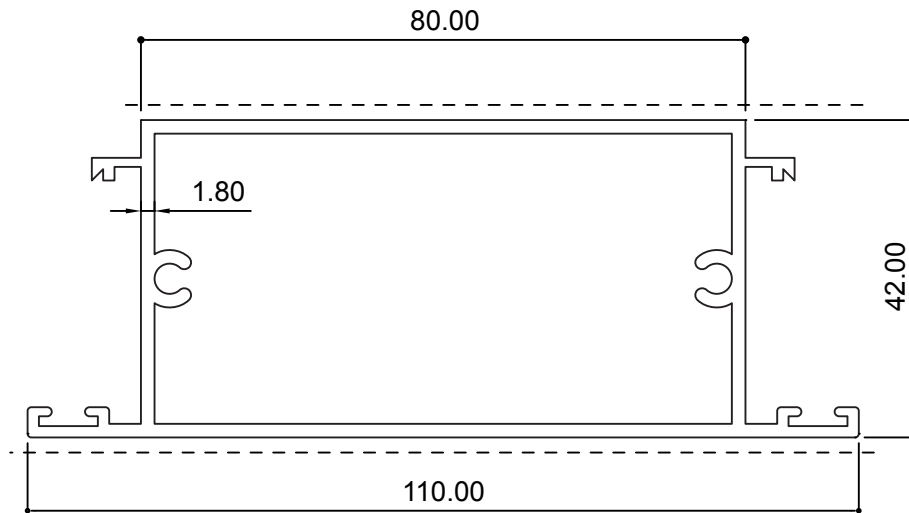
60014
(1.218 Kg/m)

* For export, not recommended for GCC usage

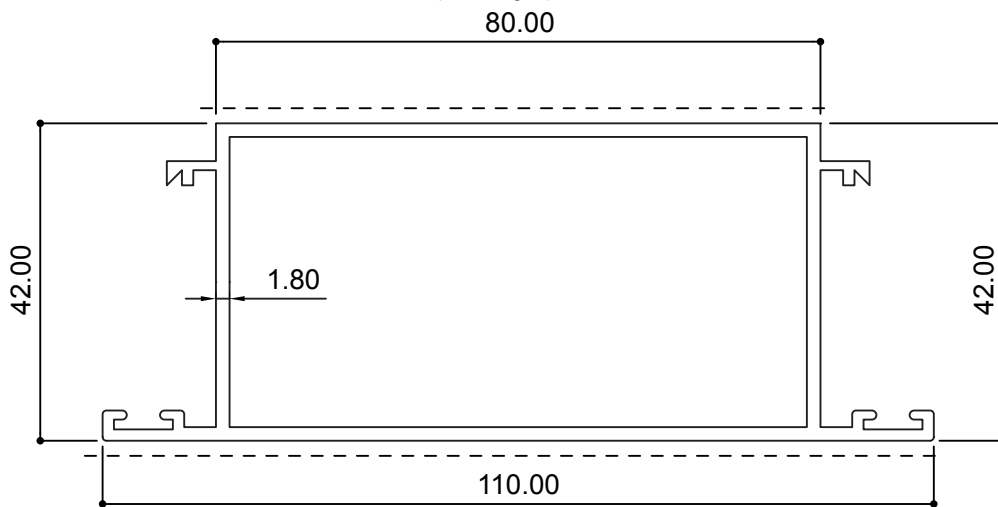
T Profiles - 42 mm



60065
(1.215 Kg/m)



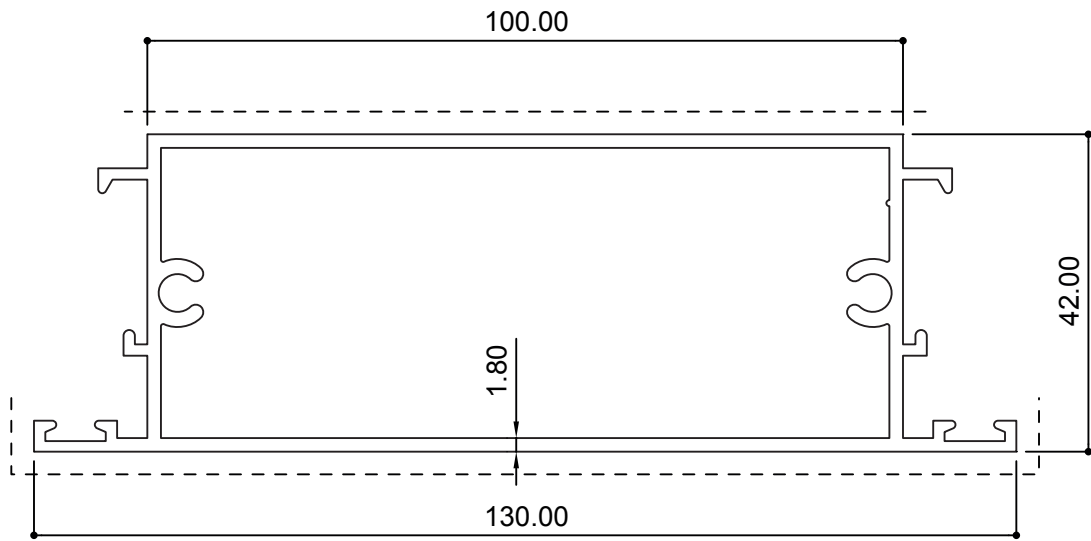
20059
(1.510 Kg/m)



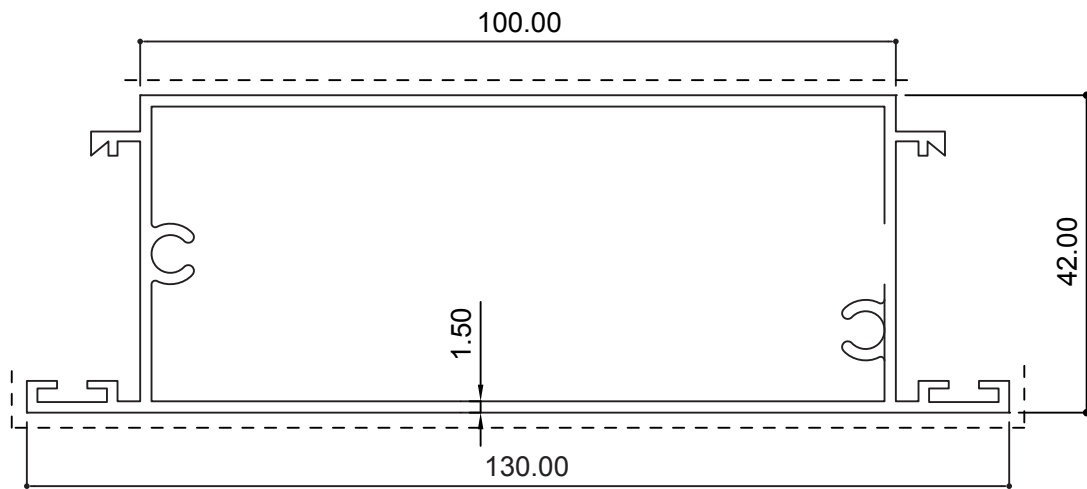
22025
(1.408 Kg/m)

* For export, not recommended for GCC usage

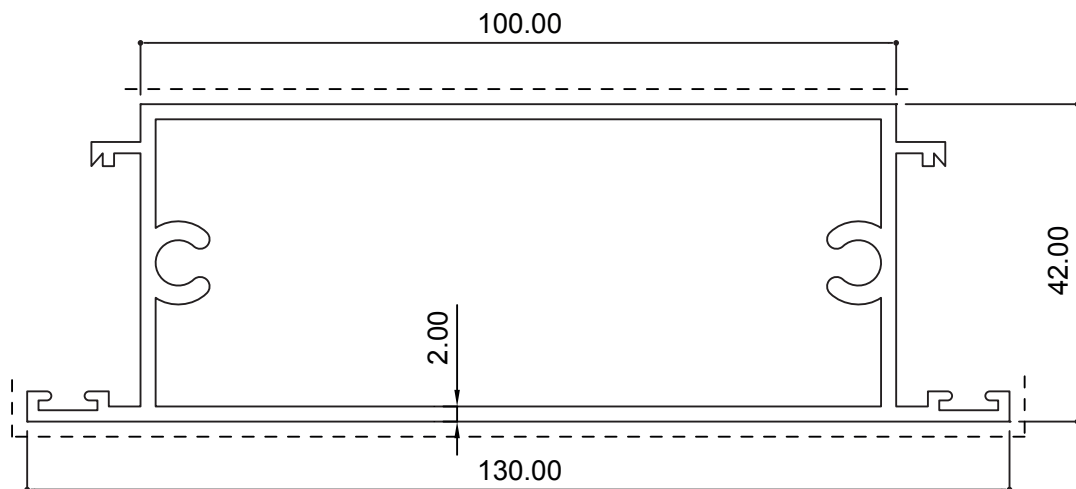
T Profiles - 42 mm



60150
(1.758 Kg/m)



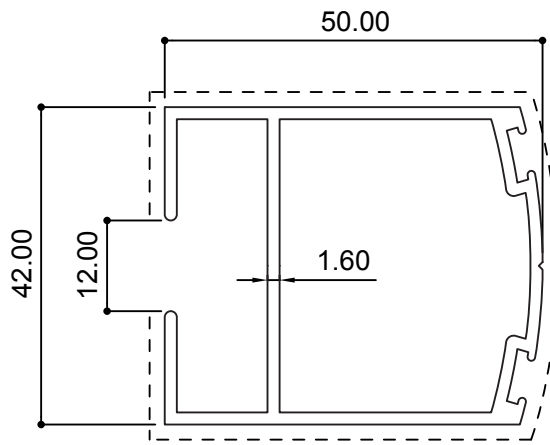
20586
(1.483 Kg/m)



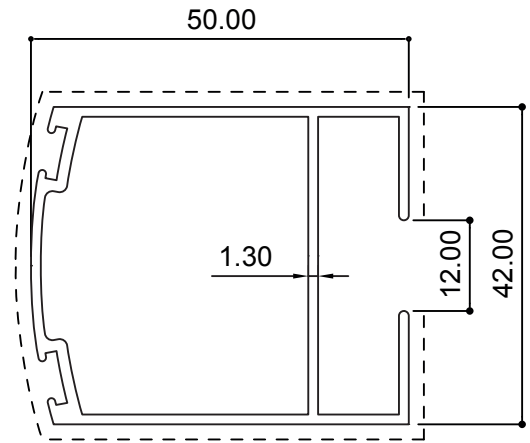
20185
(2.345 Kg/m)

* For export, not recommended for GCC usage

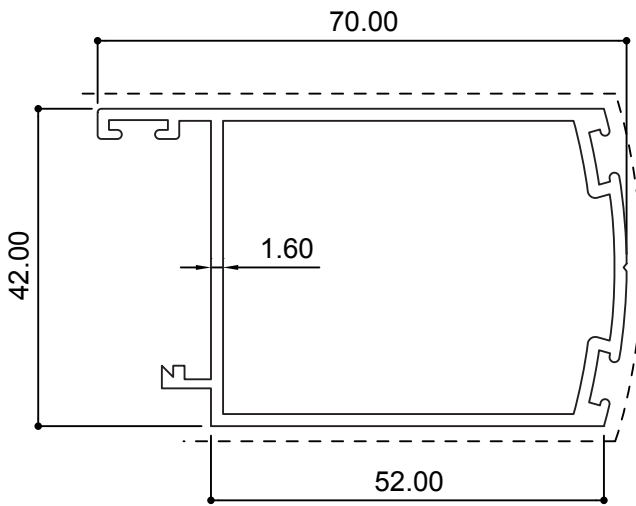
Swing Profiles - 42 mm



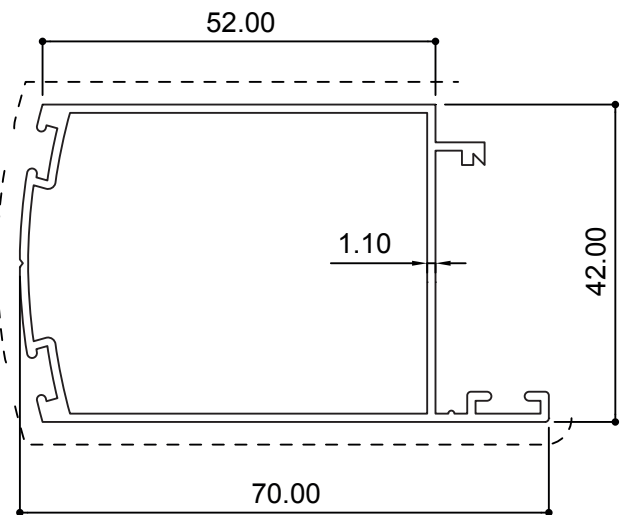
20060
(0.914 Kg/m)



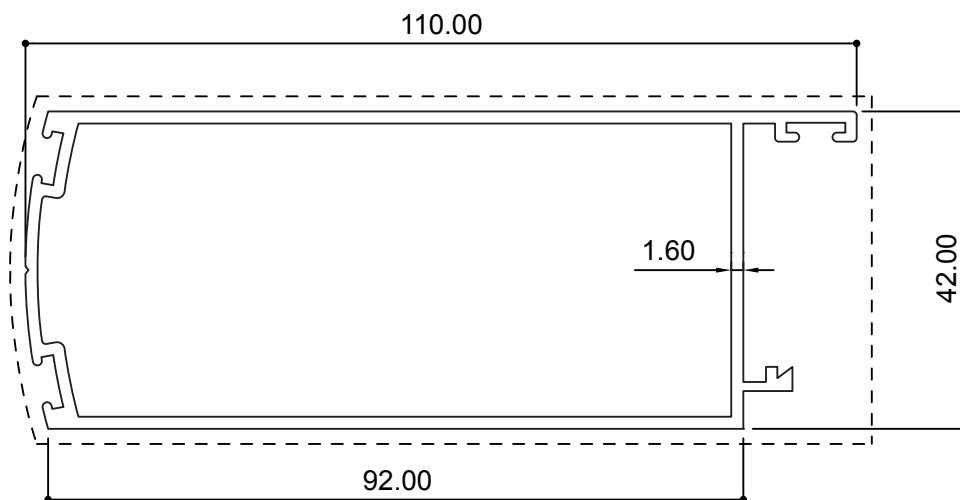
20232
(0.765 Kg/m)



20056
(1.052 Kg/m)



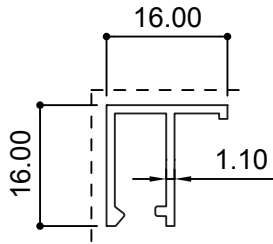
27161 *
(0.710 Kg/m)



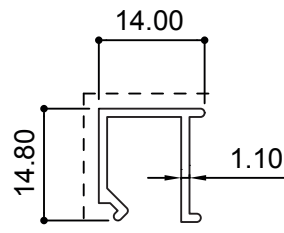
21757
(1.316 Kg/m)

* For export, not recommended for GCC usage

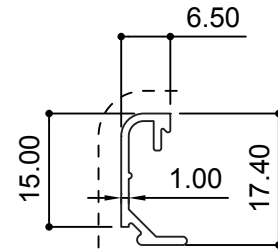
Beadings



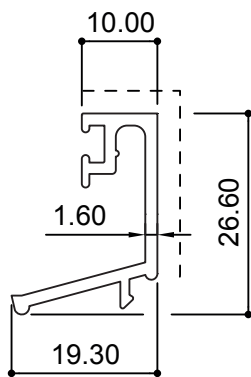
10345*
(0.150 Kg/m)



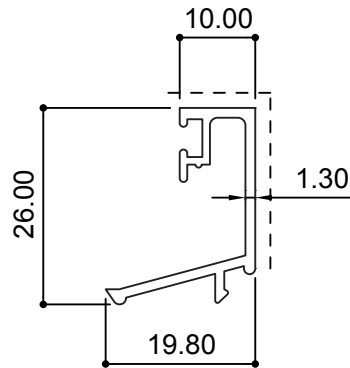
11102*
(0.134 Kg/m)



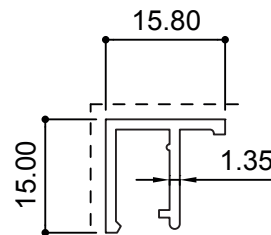
16628*
(0.098 Kg/m)



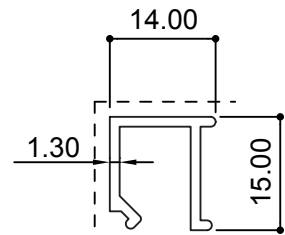
16143
(0.275 Kg/m)



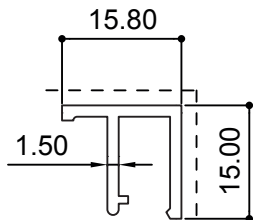
65012
(0.228 Kg/m)



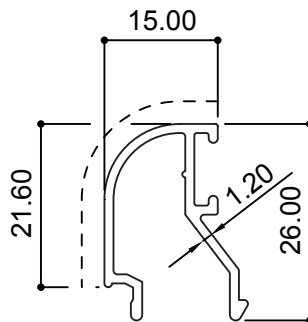
65007
(0.163 Kg/m)



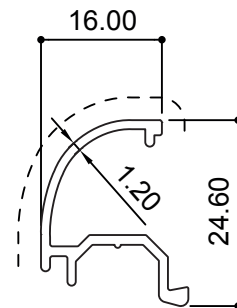
10088
(0.162 Kg/m)



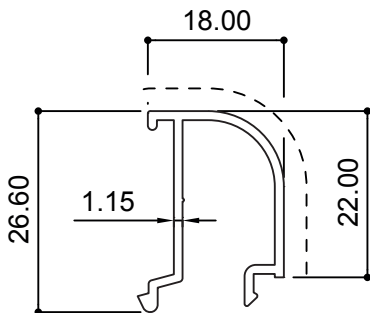
10059
(0.177 Kg/m)



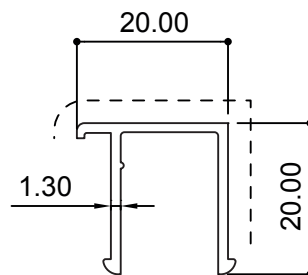
65048
(0.240 Kg/m)



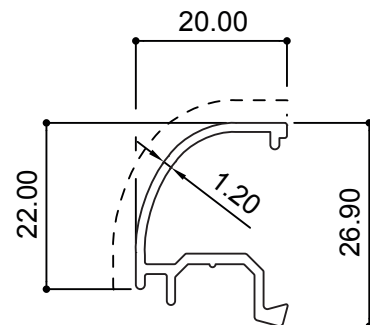
65040
(0.207 Kg/m)



16341*
(0.234 Kg/m)



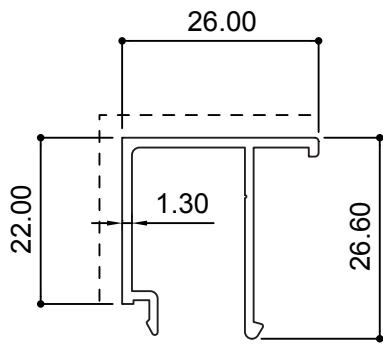
65037
(0.207 Kg/m)



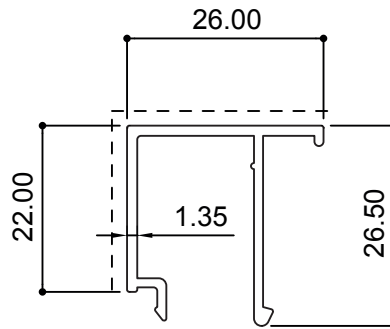
16371
(0.231 Kg/m)

* For export, not recommended for GCC usage

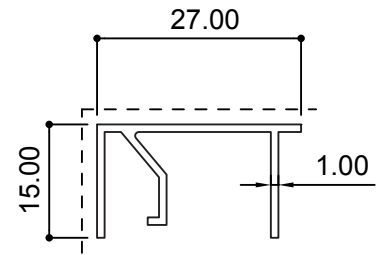
Beadings



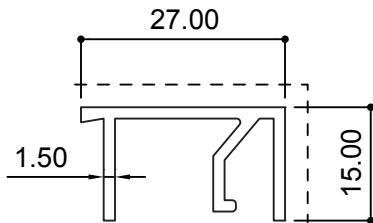
16126
(0.275 Kg/m)



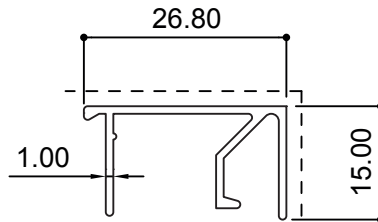
65011
(0.287 Kg/m)



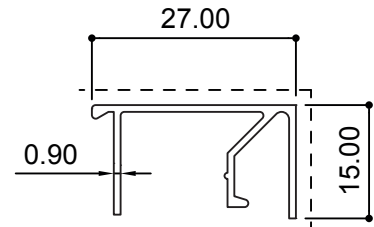
11686 *
(0.191 Kg/m)



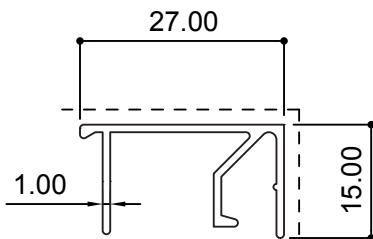
14174
(0.283 Kg/m)



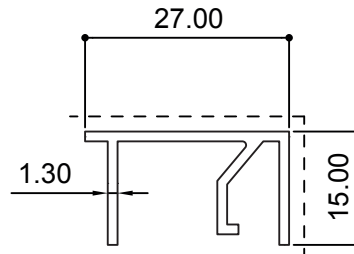
65005 *
(0.198 Kg/m)



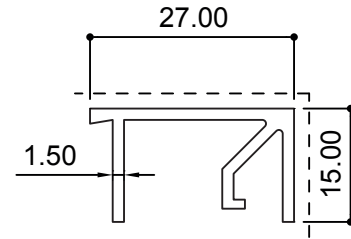
65017 *
(0.180 Kg/m)



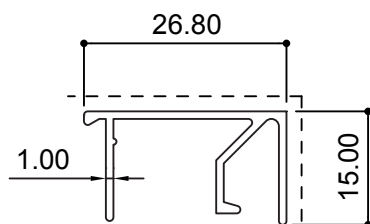
65013 *
(0.198 Kg/m)



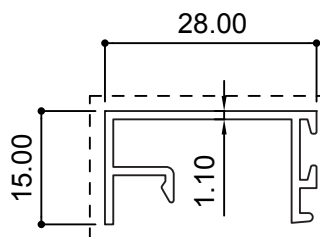
10089
(0.246 Kg/m)



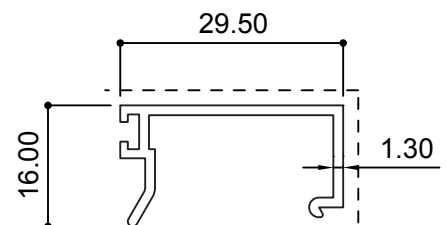
10058
(0.284 Kg/m)



65005 *
(0.198 Kg/m)



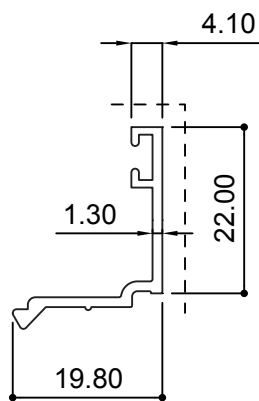
12526 *
(0.220 Kg/m)



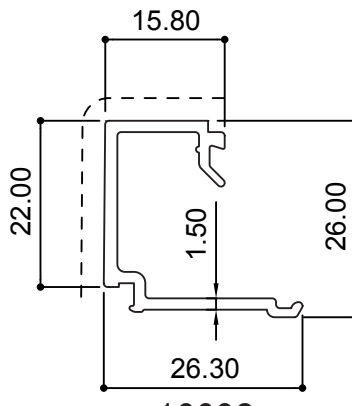
10097
(0.212 Kg/m)

* For export, not recommended for GCC usage

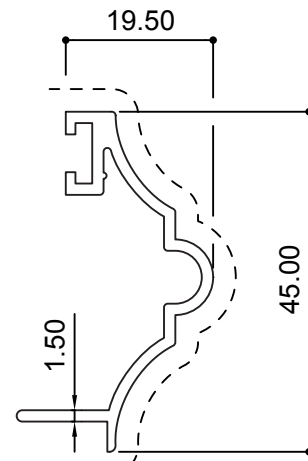
Beadings



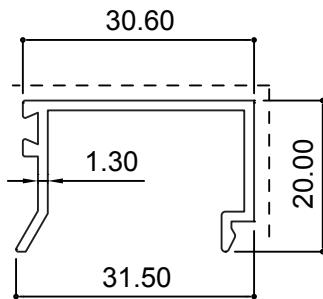
16627
(0.182 Kg/m)



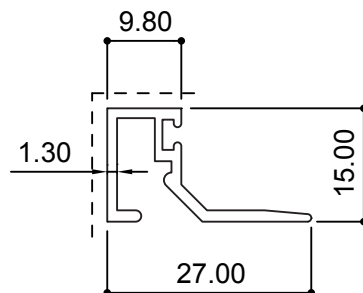
16682
(0.303 Kg/m)



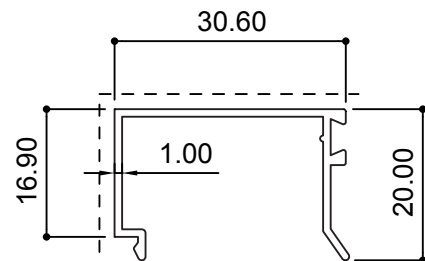
16643
(0.363 Kg/m)



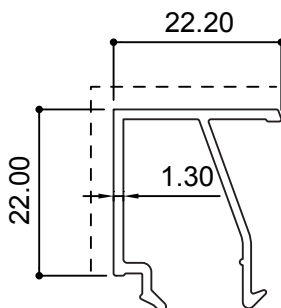
10245
(0.267 Kg/m)



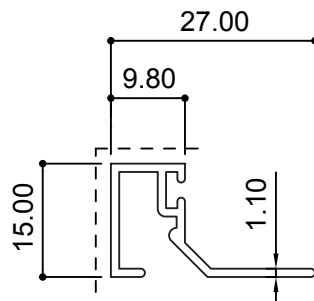
10414
(0.216 Kg/m)



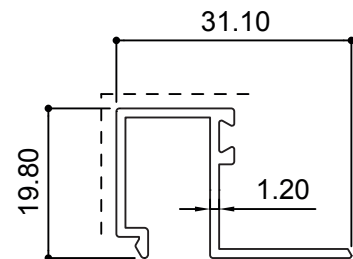
14626 *
(0.210 Kg/m)



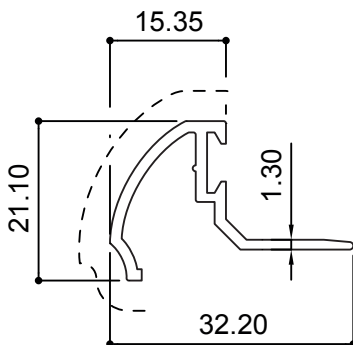
16785
(0.269 Kg/m)



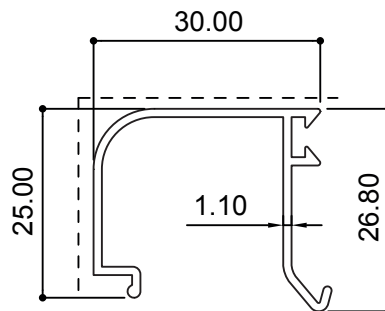
12527 *
(0.184 Kg/m)



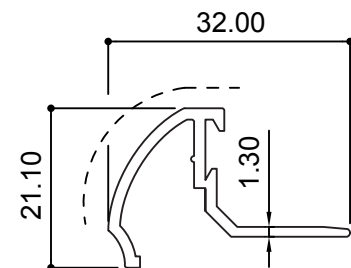
11216
(0.252 Kg/m)



16781
(0.253 Kg/m)



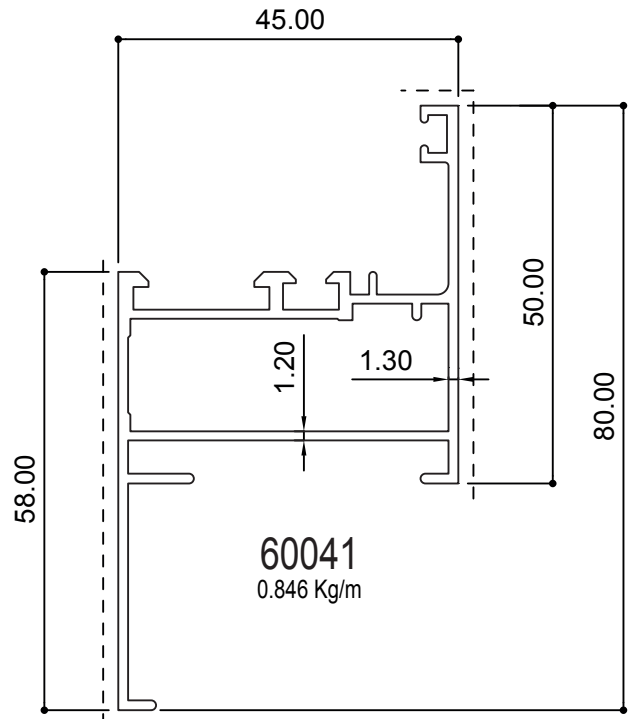
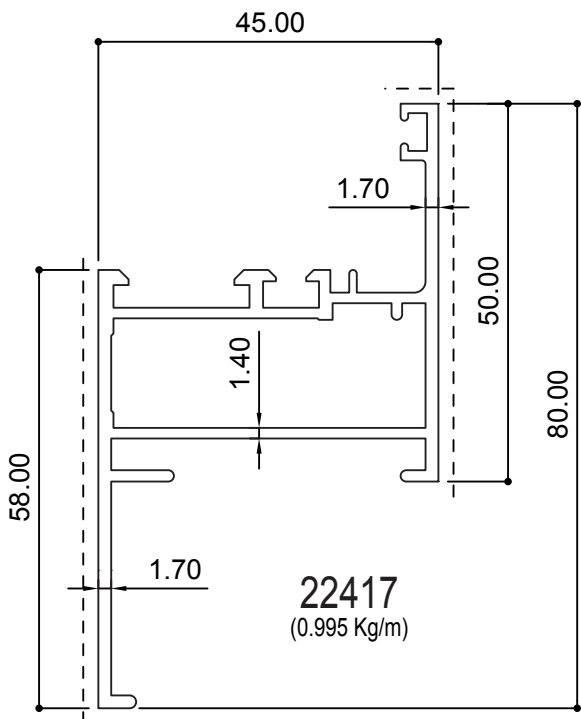
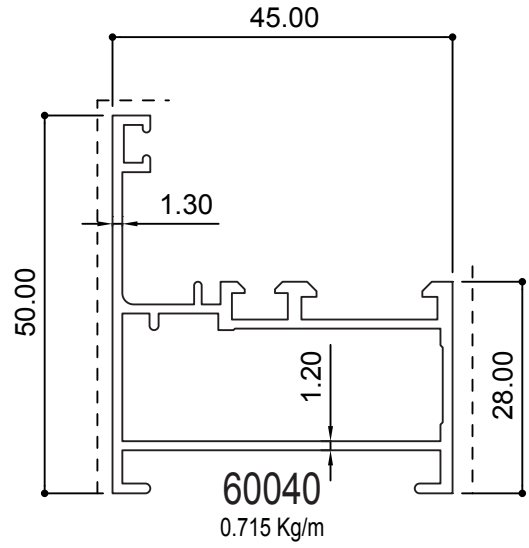
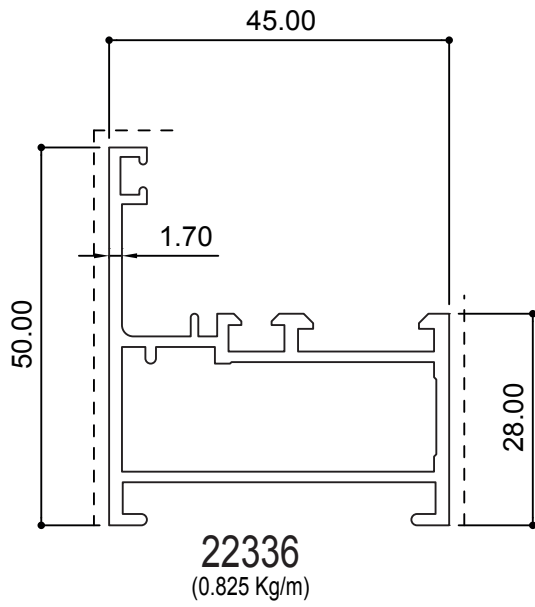
12592 *
(0.272 Kg/m)



16644
(0.252 Kg/m)

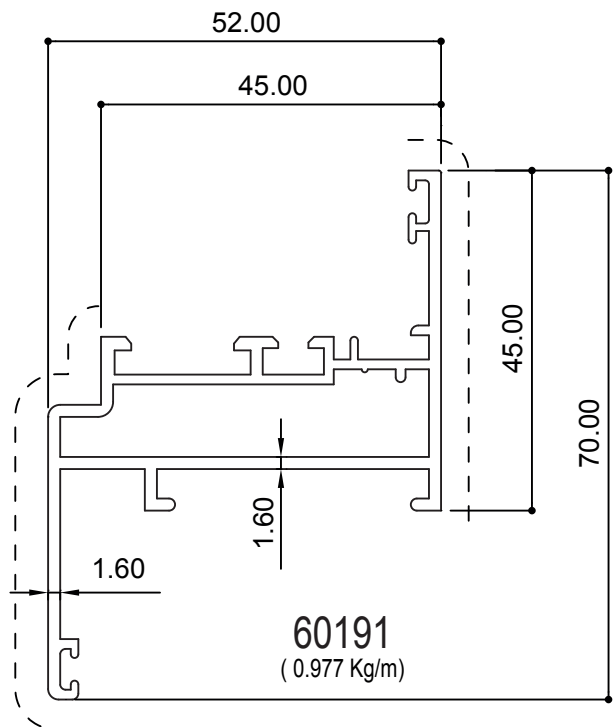
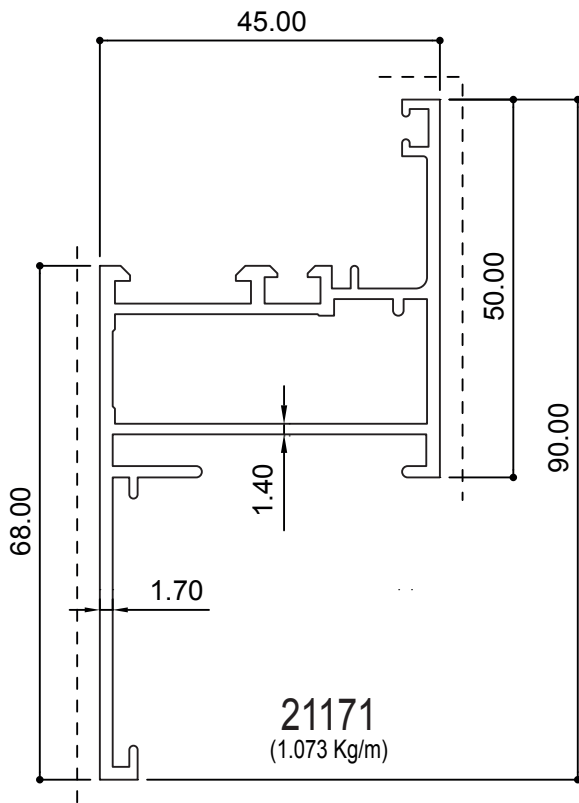
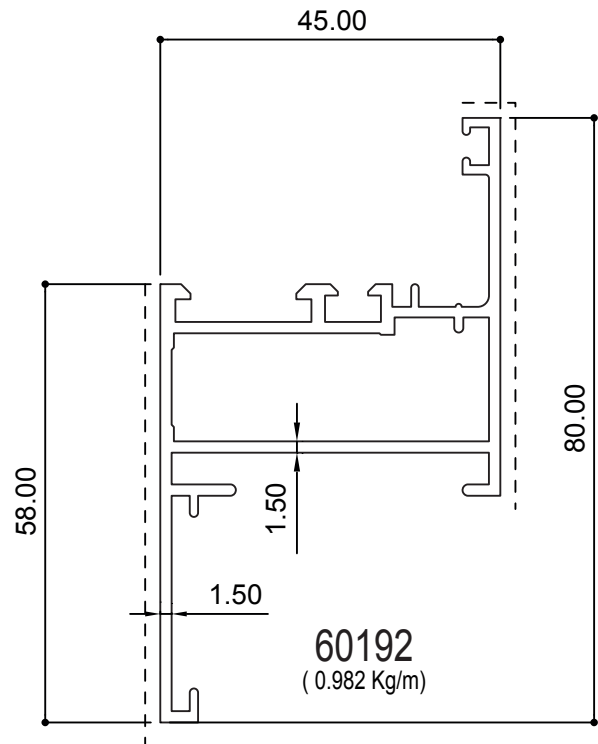
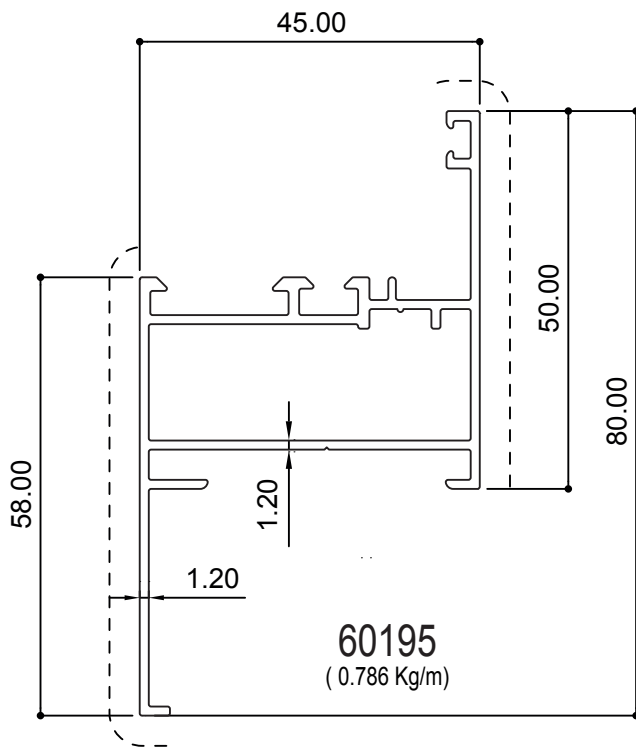
* For export, not recommended for GCC usage

Frame Profiles - 45 mm



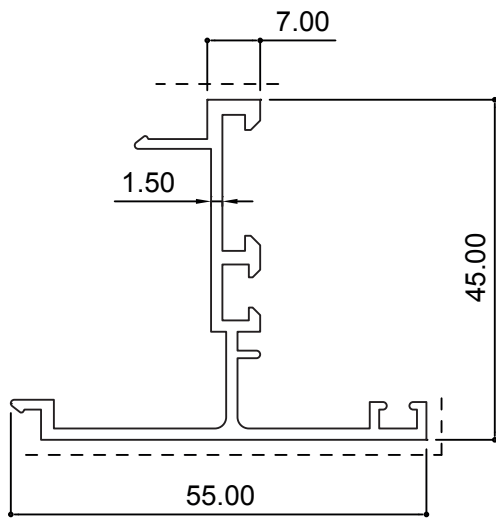
* For export, not recommended for GCC usage

Frame Profiles - 45 mm

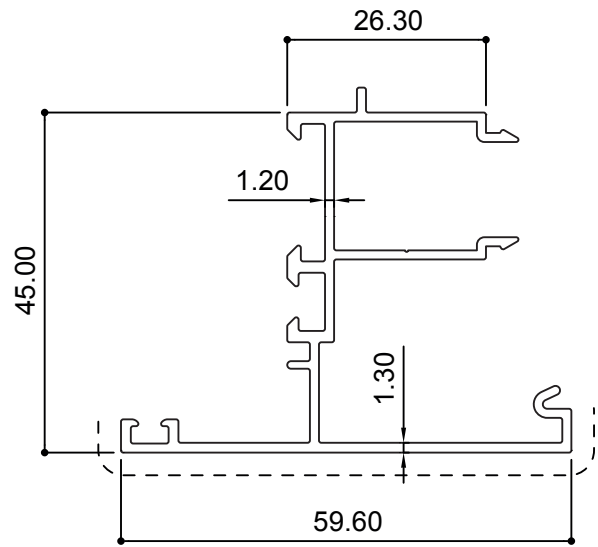


* For export, not recommended for GCC usage

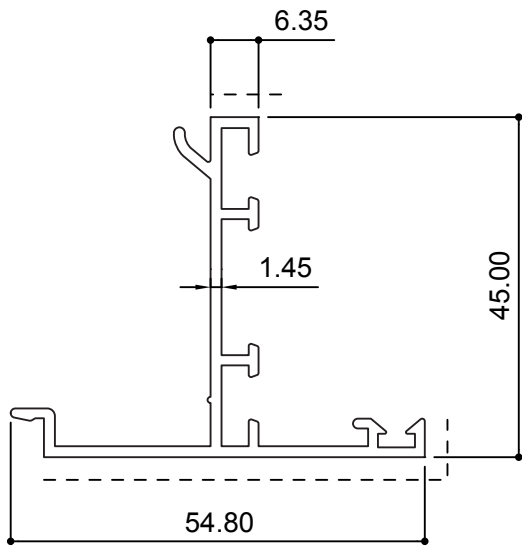
Adaptors



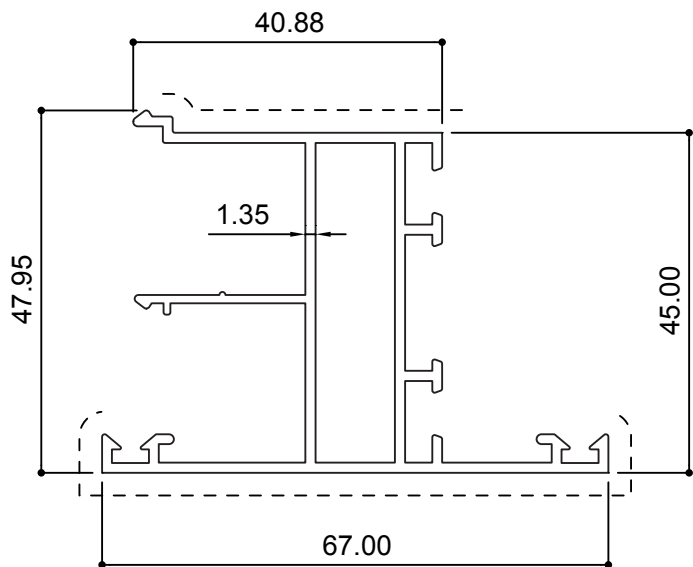
12165
(0.596 Kg/m)



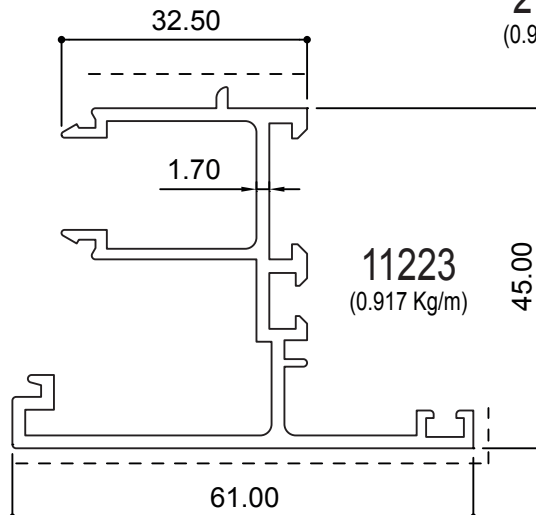
65058
(0.690 Kg/m)



16753
(0.564 Kg/m)



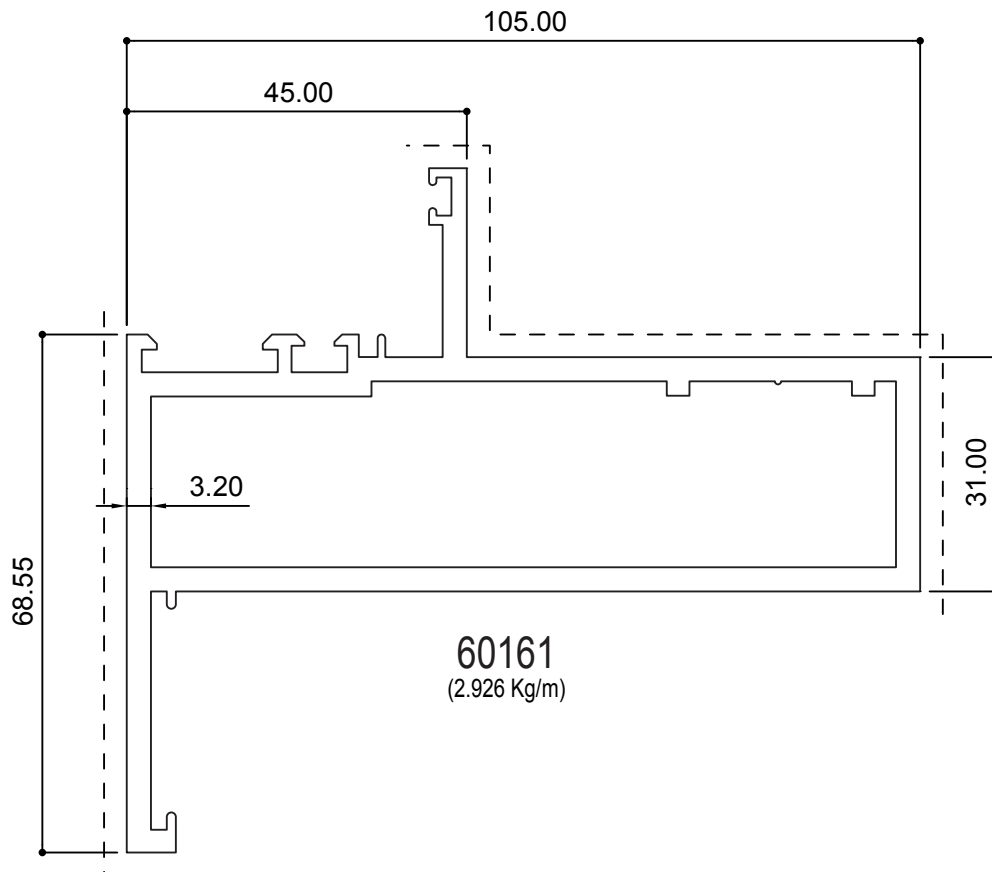
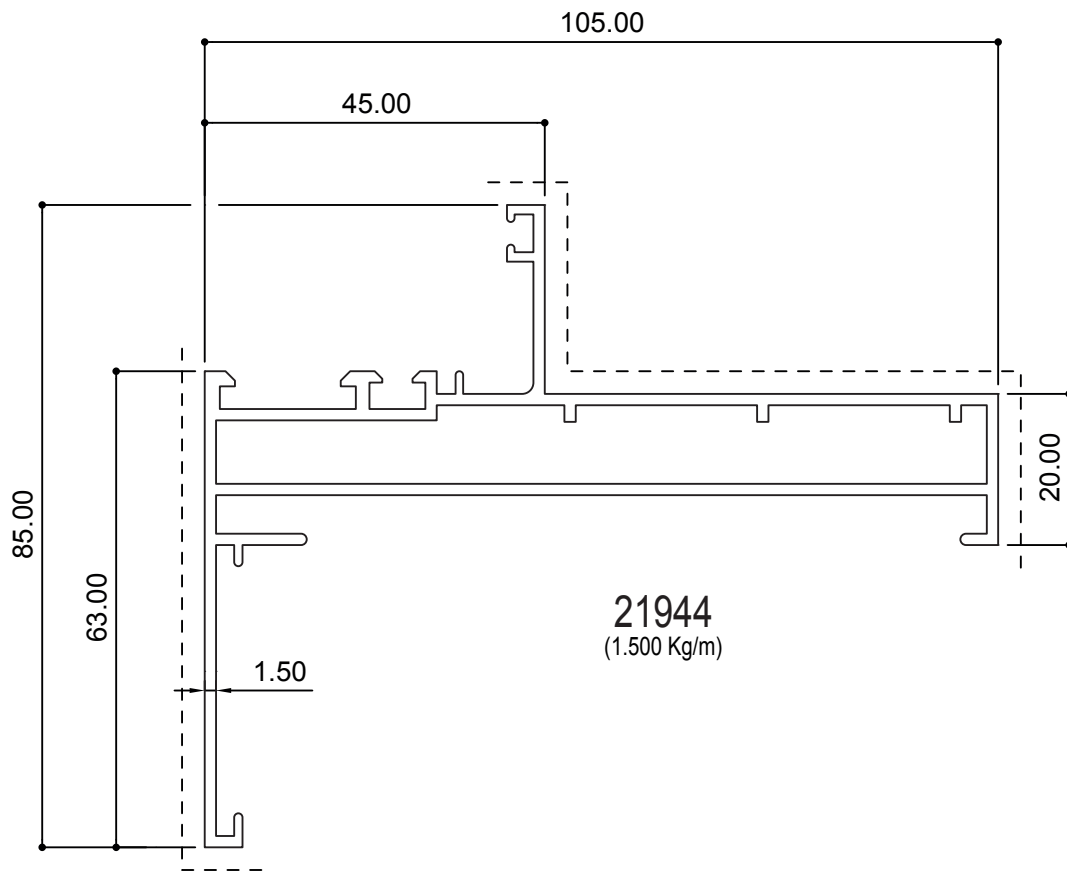
27581
(0.933 Kg/m)



11223
(0.917 Kg/m)

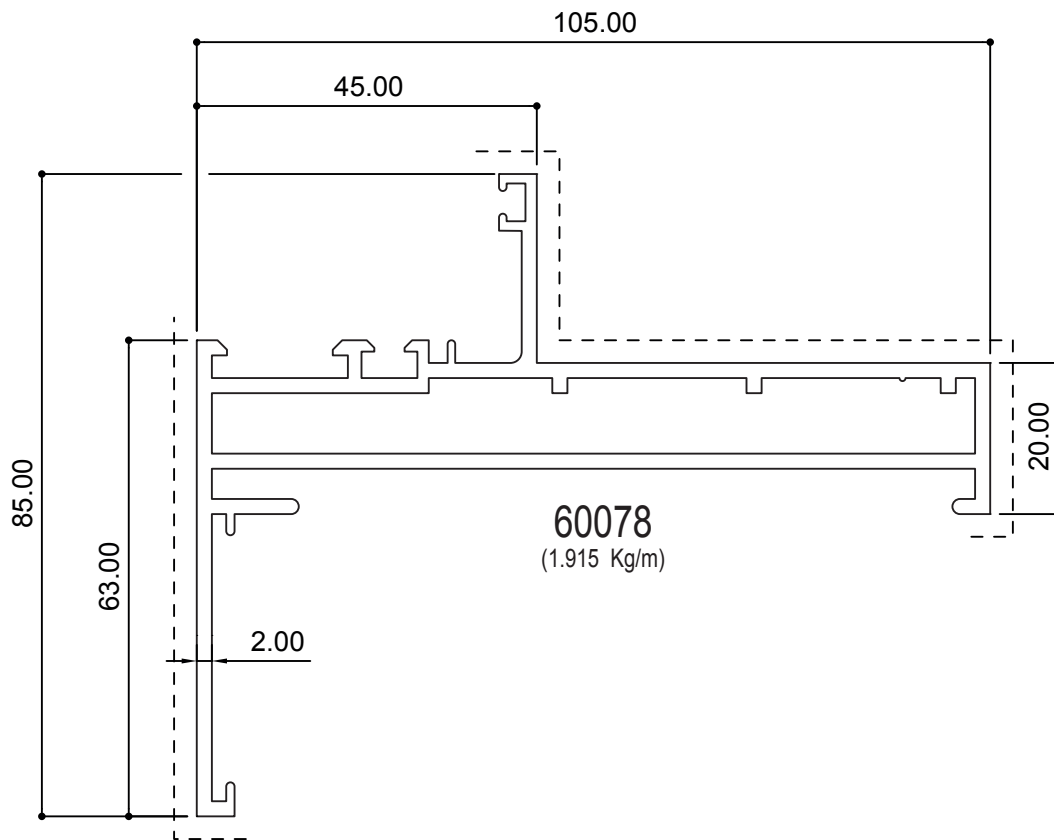
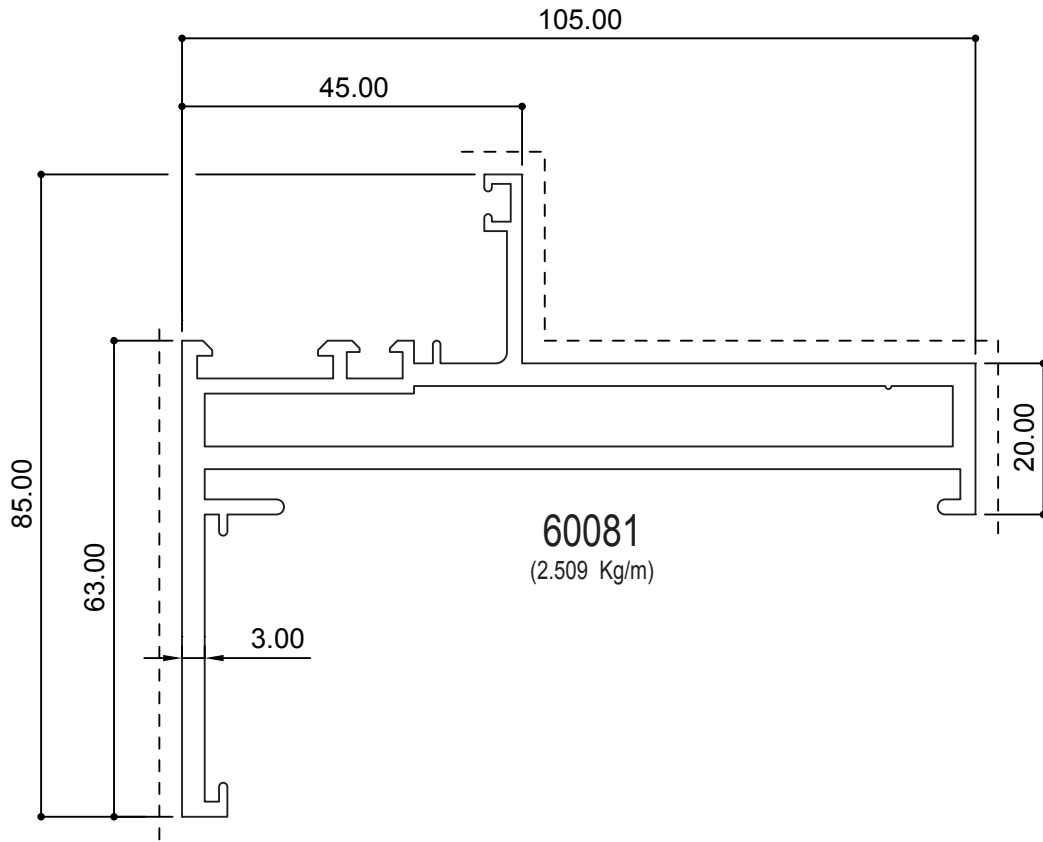
* For export, not recommended for GCC usage

Frame Profiles - 45 mm



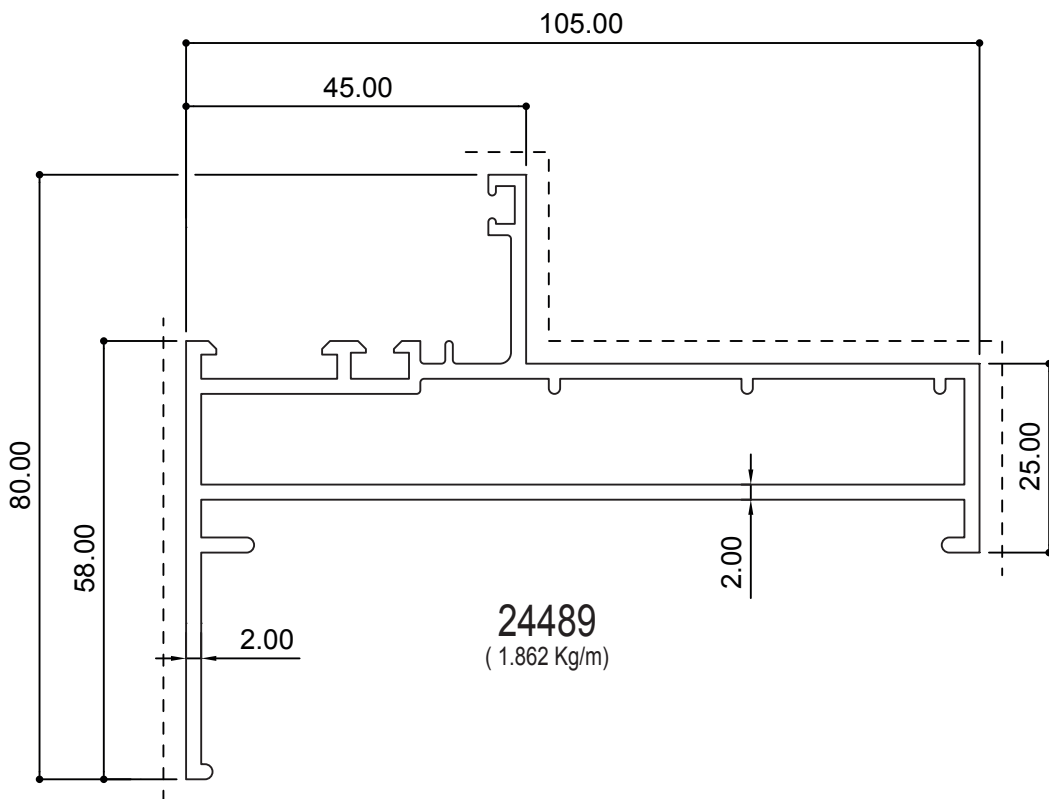
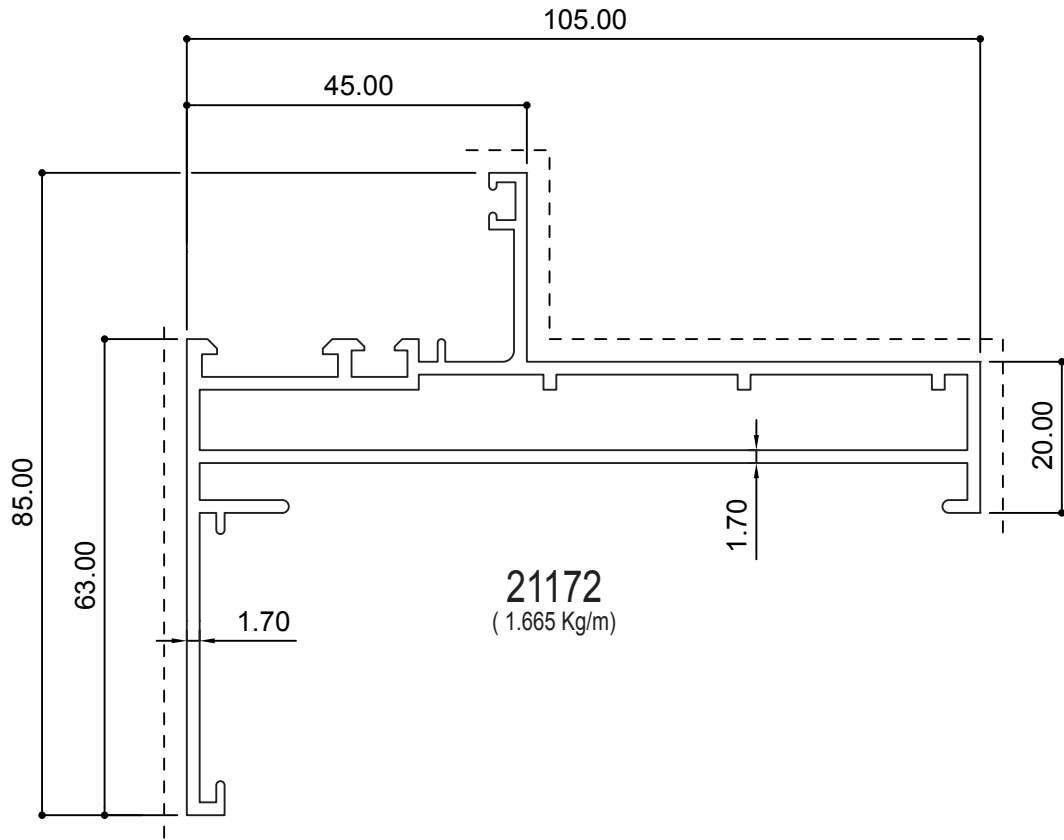
* For export, not recommended for GCC usage

Frame Profiles - 45 mm



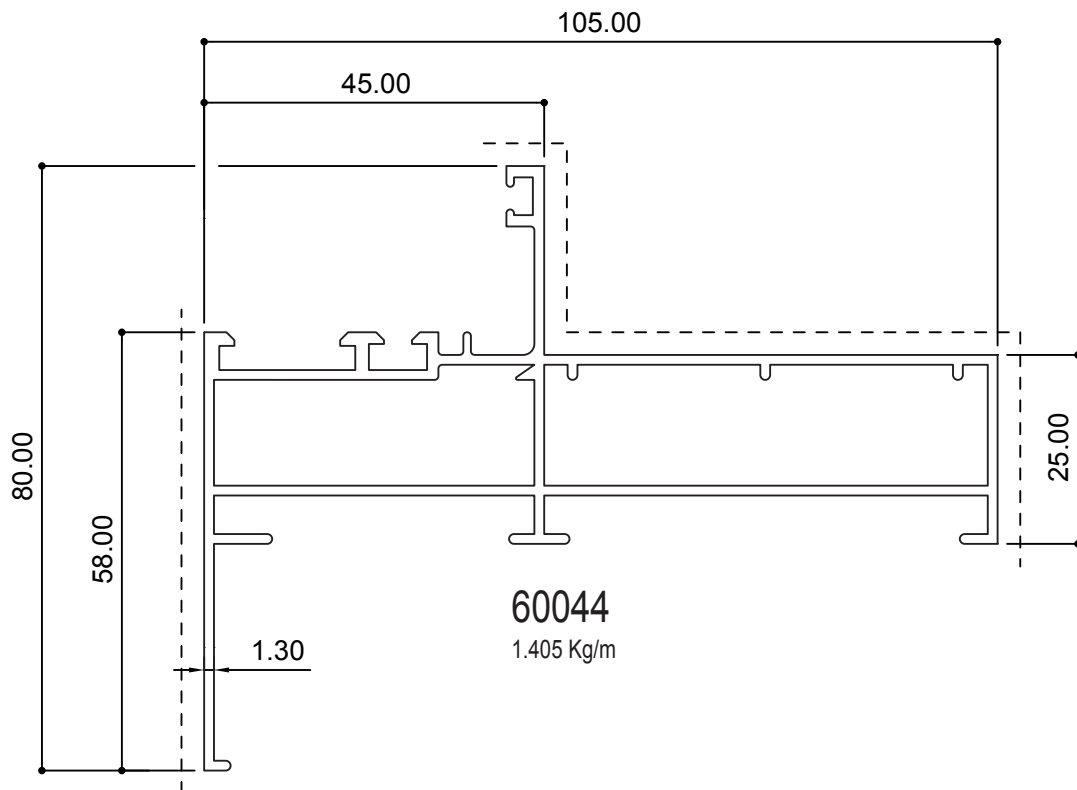
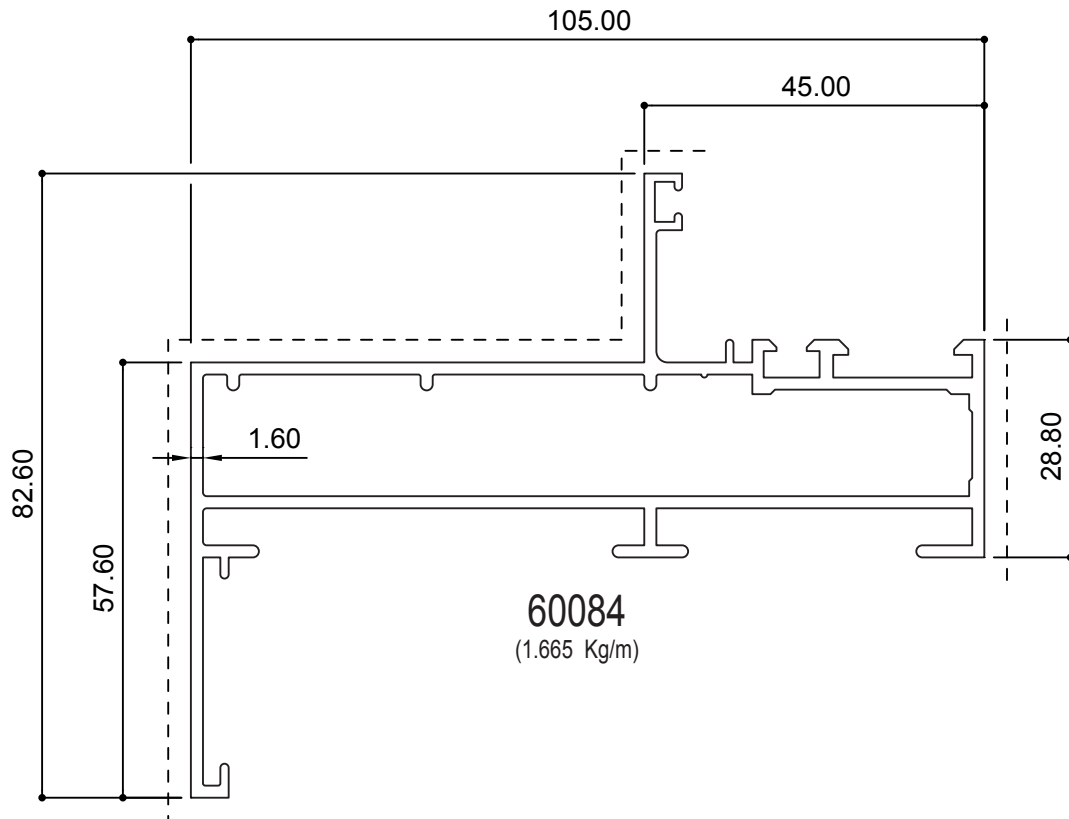
* For export, not recommended for GCC usage

Frame Profiles - 45 mm



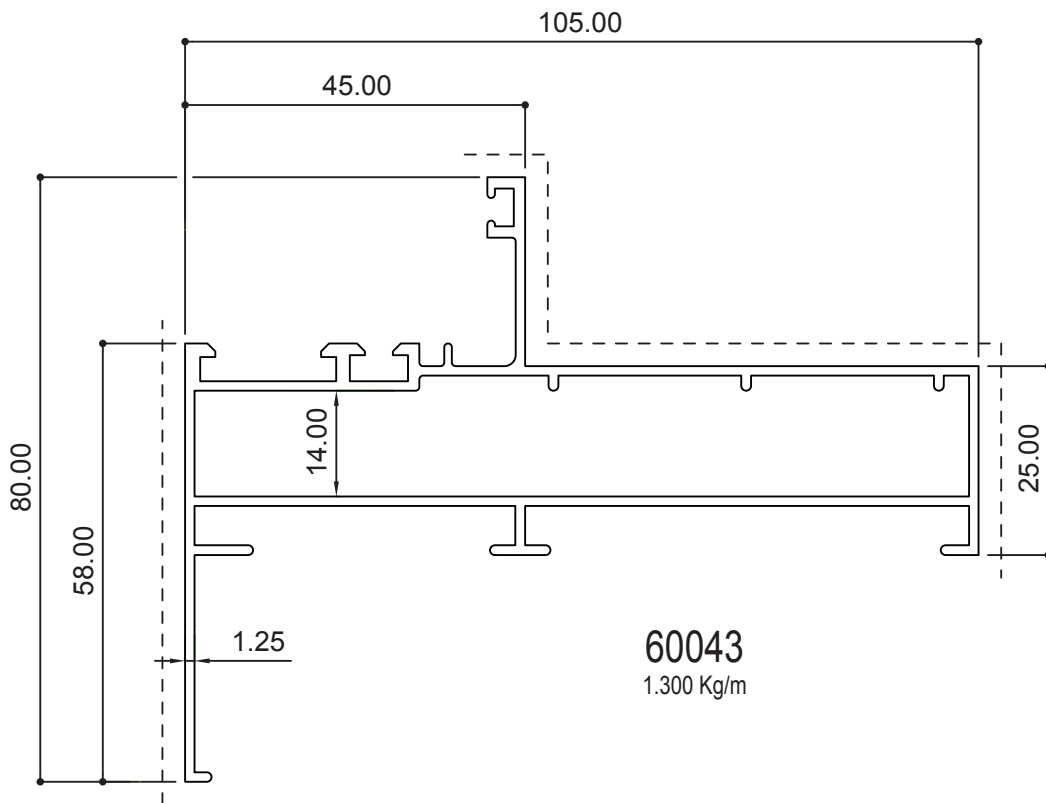
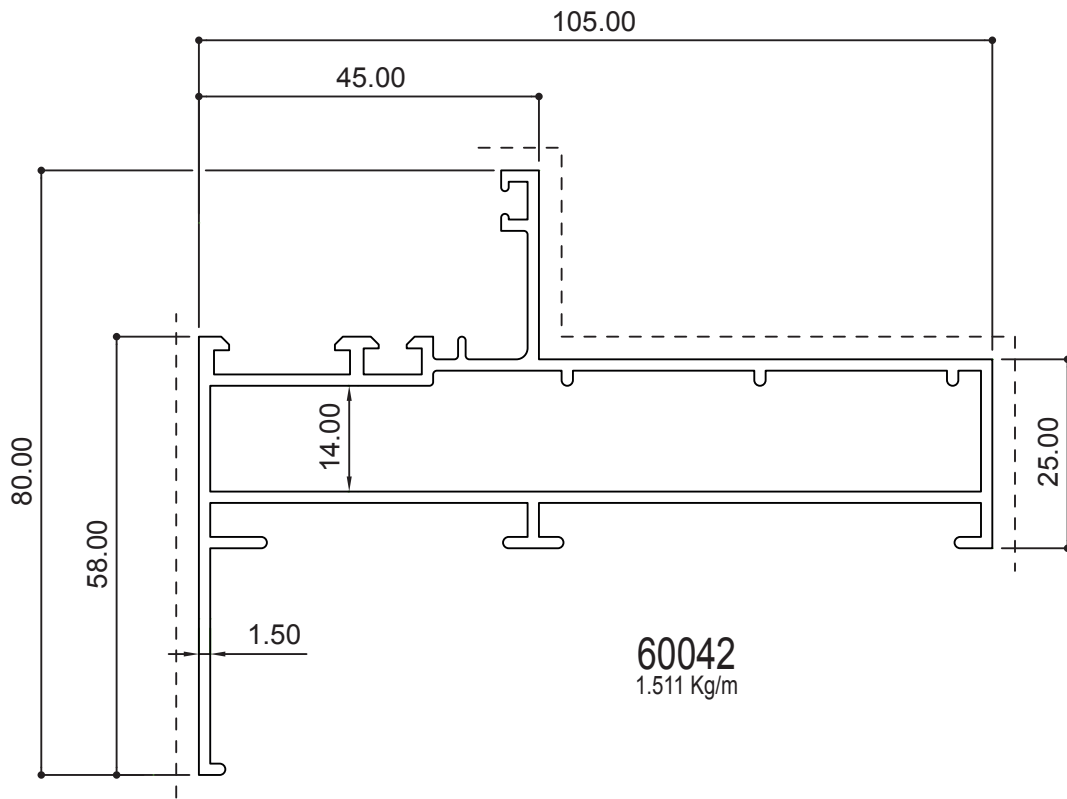
* For export, not recommended for GCC usage

Frame Profiles - 45 mm



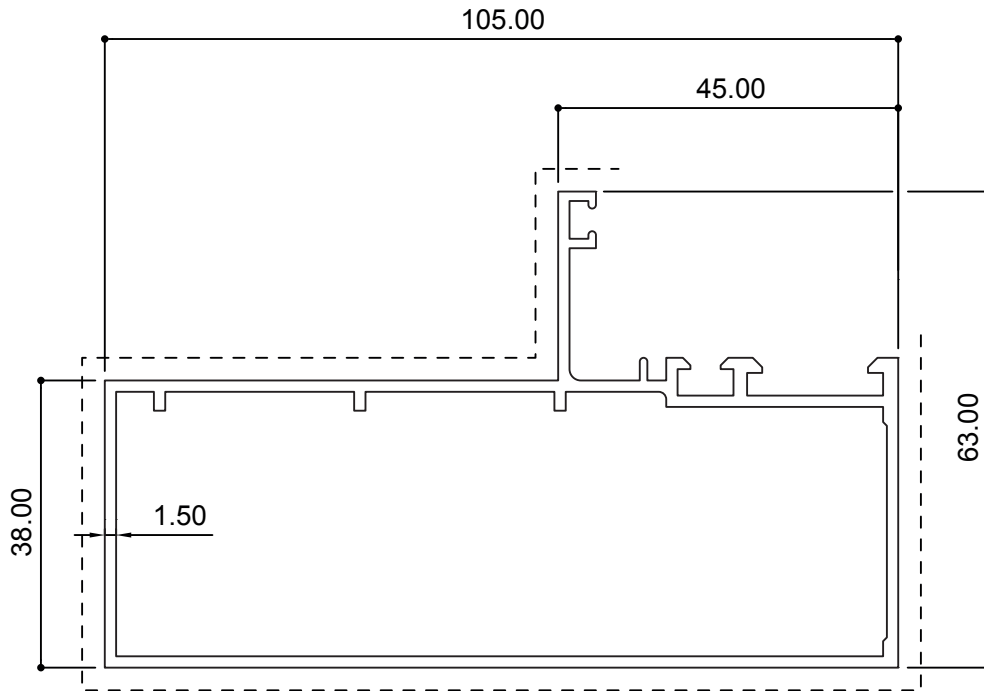
* For export, not recommended for GCC usage

Frame Profiles - 45 mm

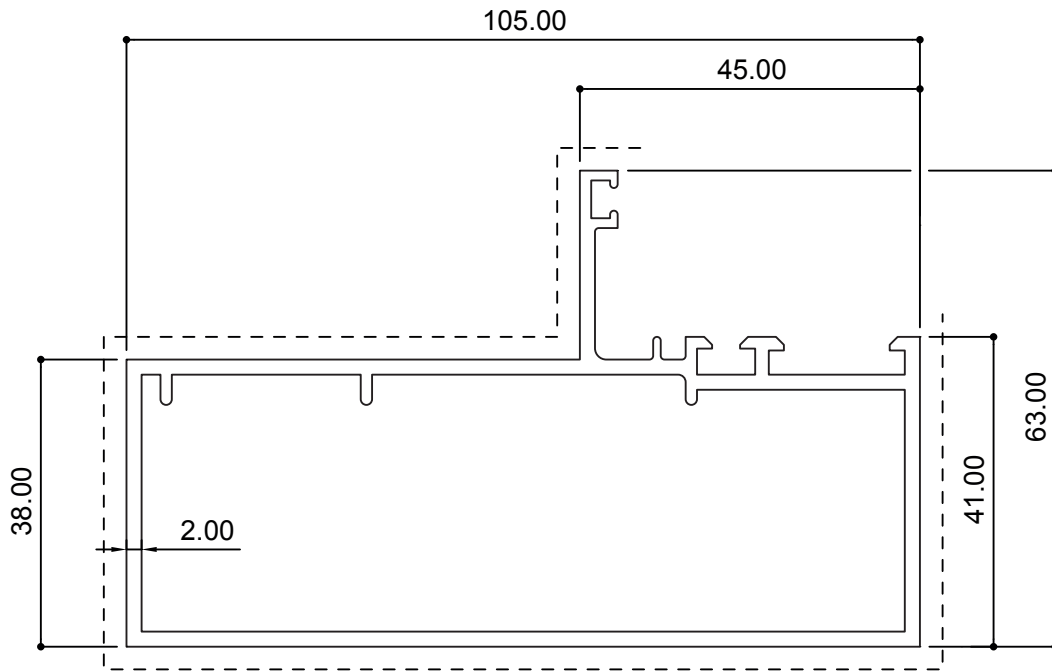


* For export, not recommended for GCC usage

Frame Profiles - 45 mm



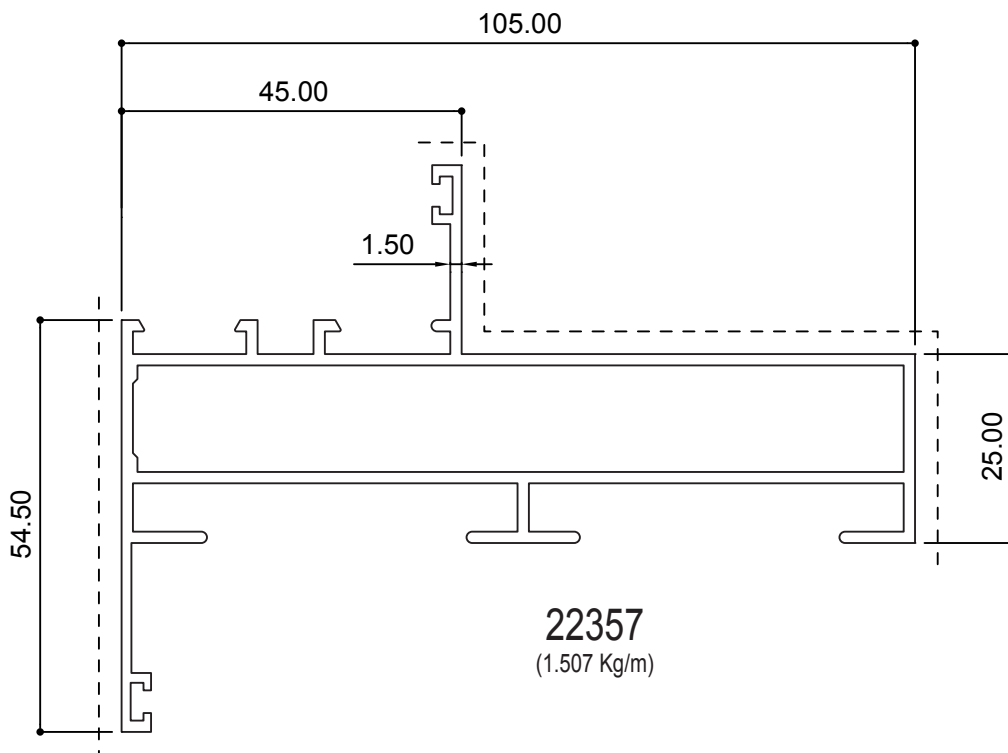
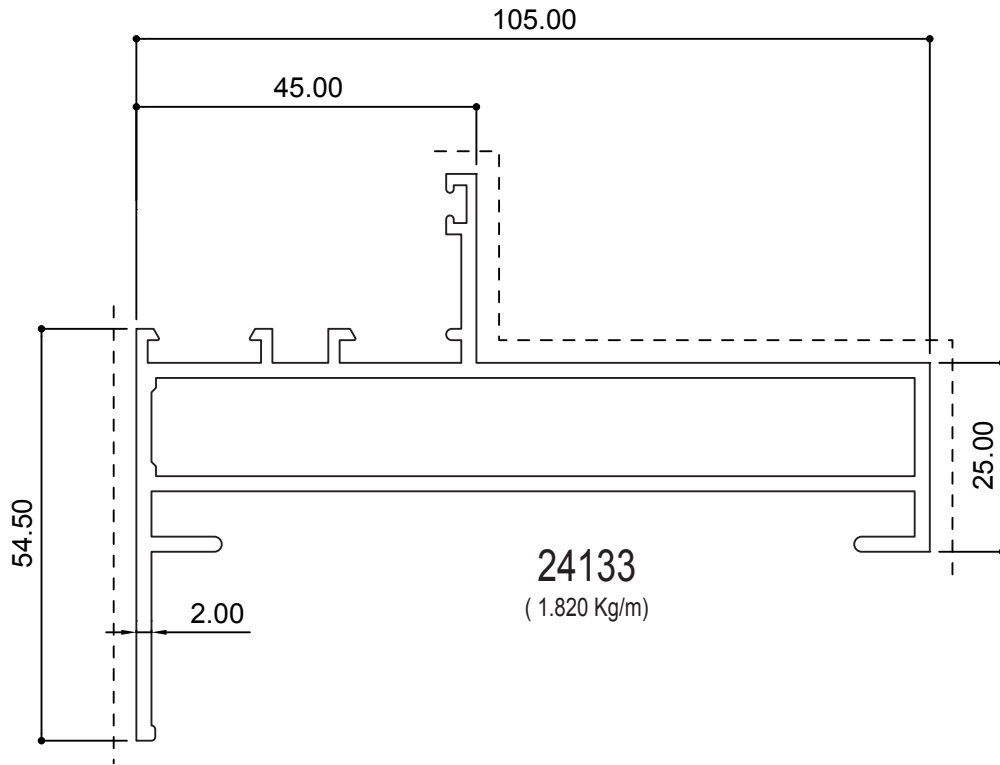
21945
(1.402 Kg/m)



24491
(1.787 Kg/m)

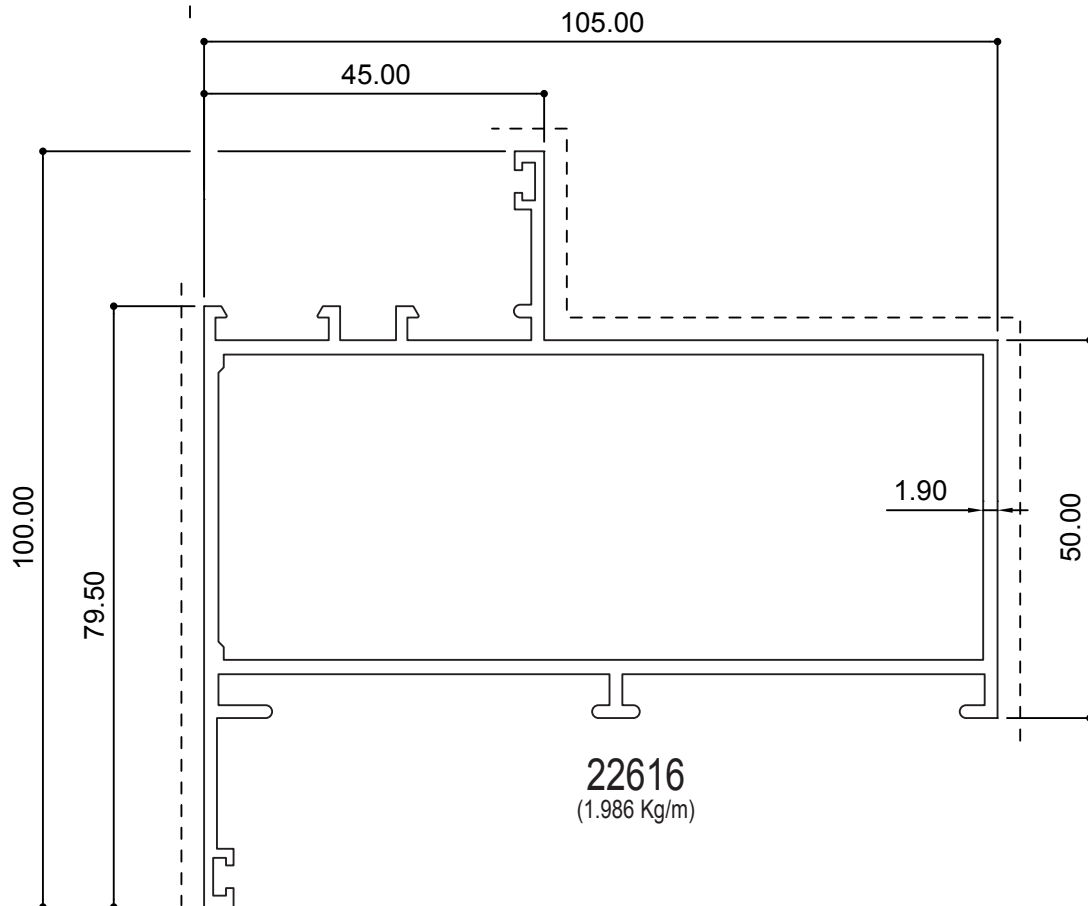
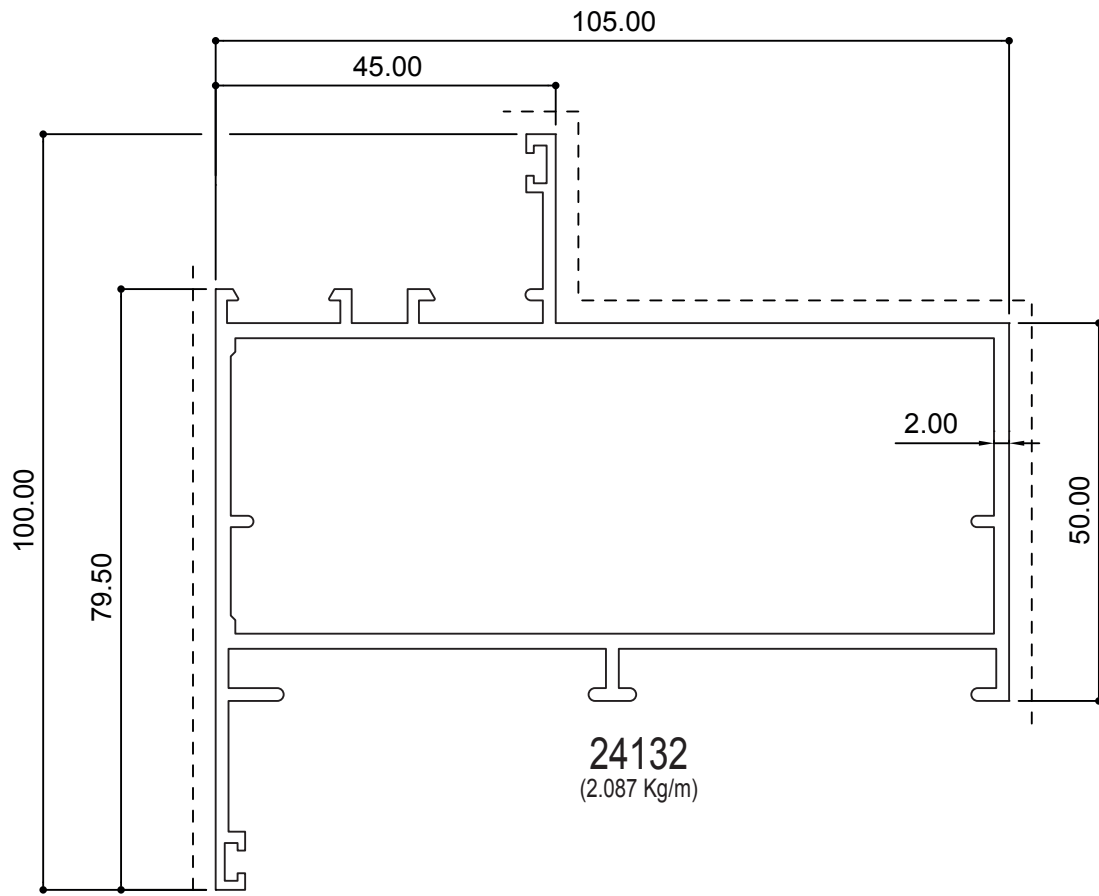
* For export, not recommended for GCC usage

Frame Profiles - 45 mm



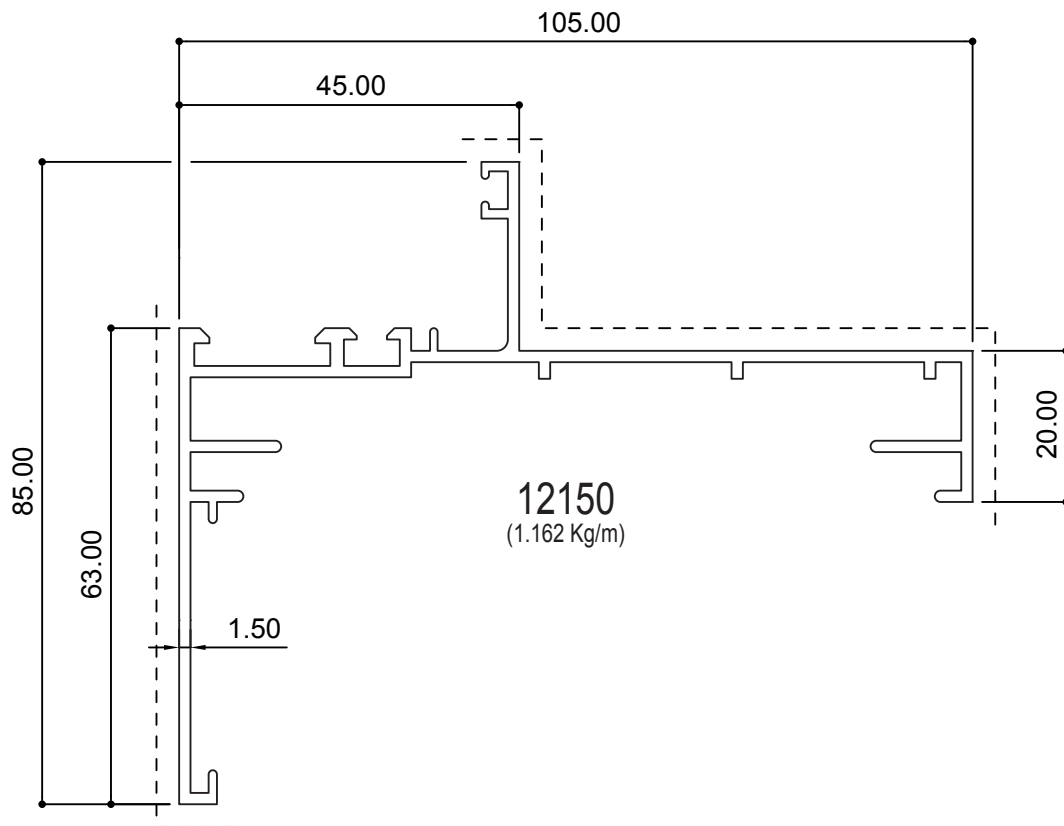
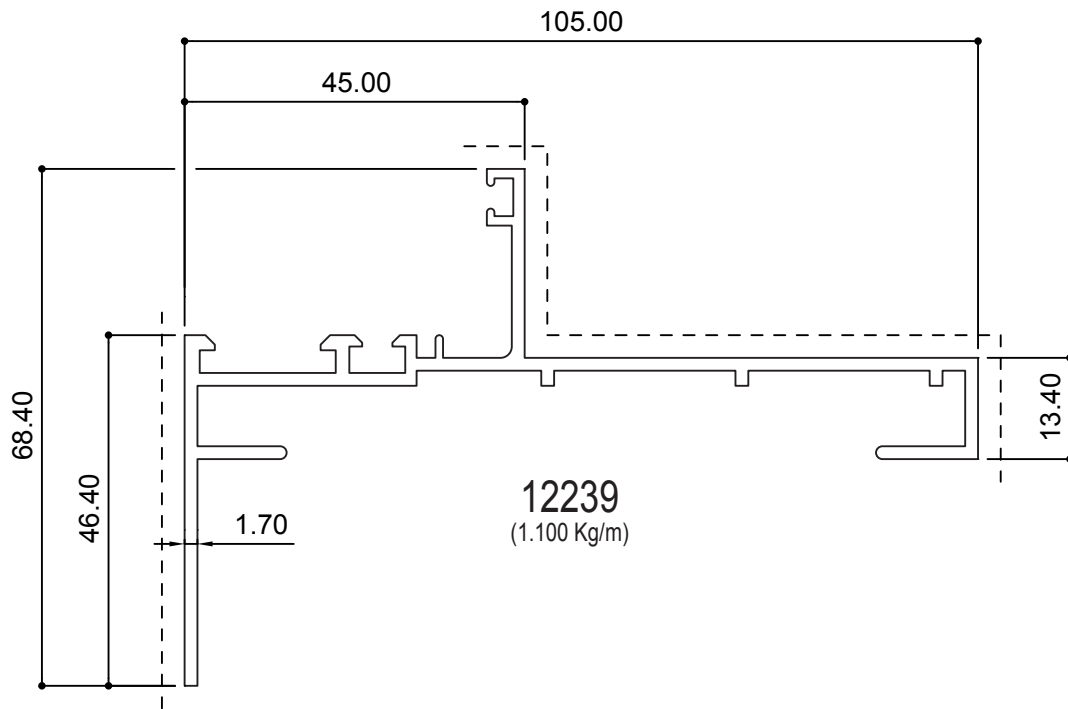
* For export, not recommended for GCC usage

Frame Profiles - 45 mm



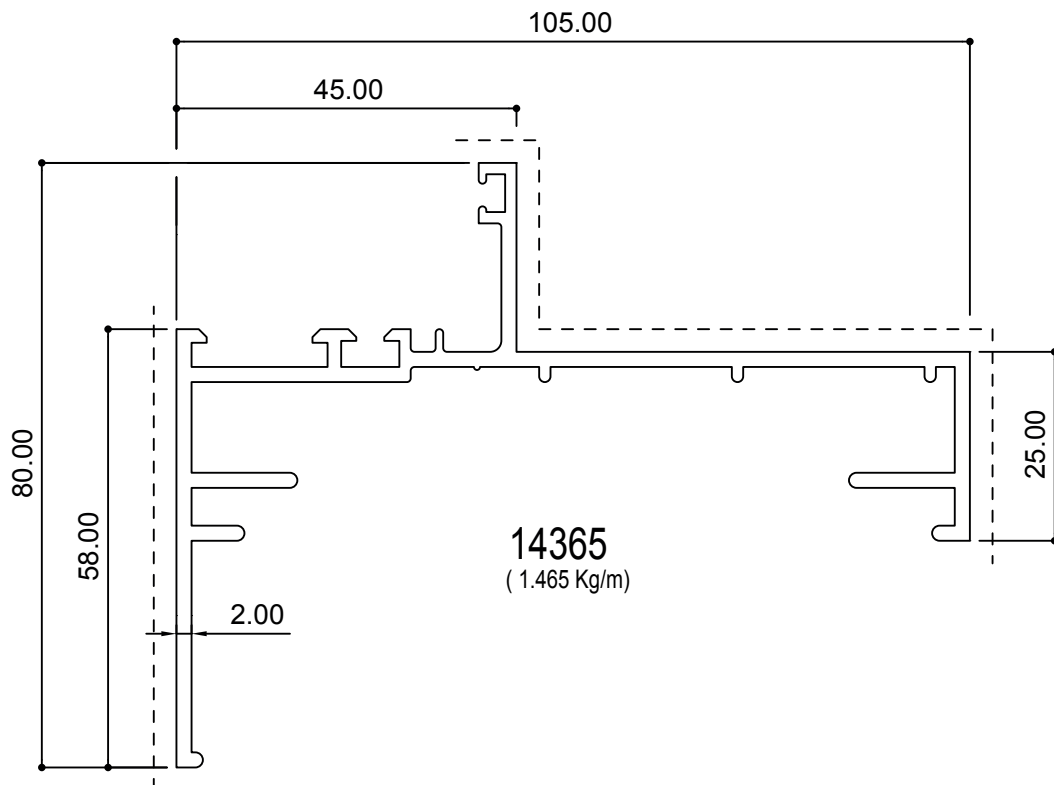
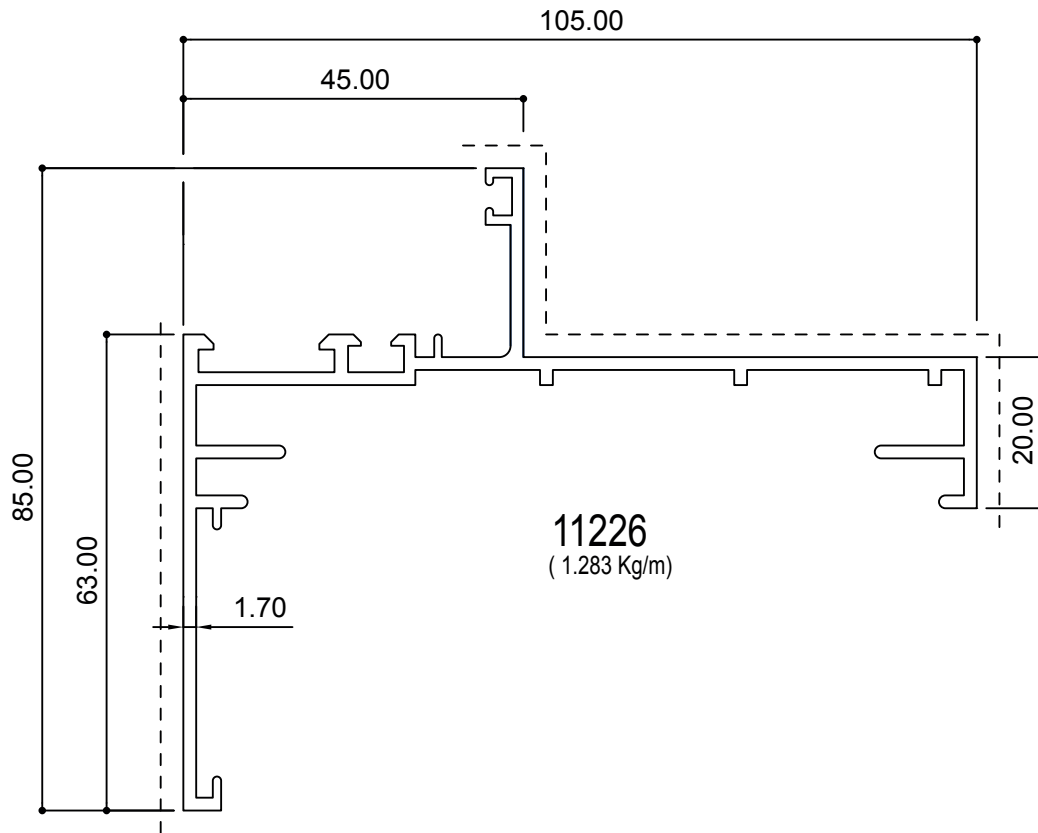
* For export, not recommended for GCC usage

Frame Profiles - 45 mm



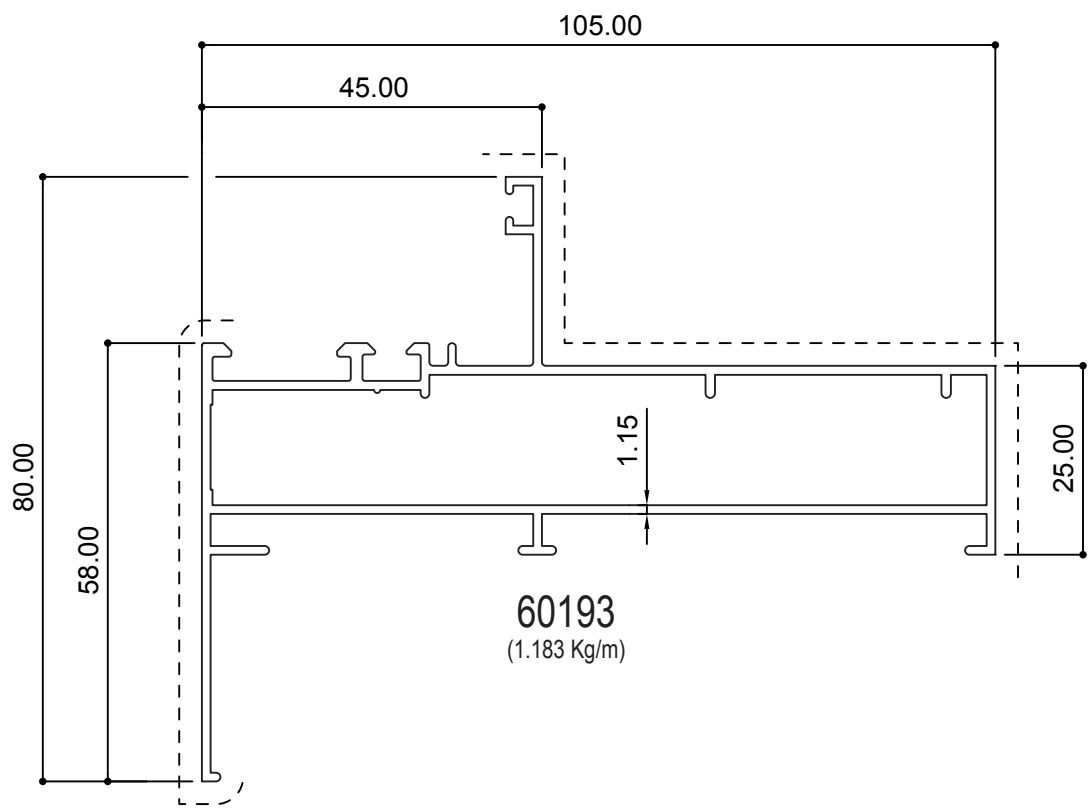
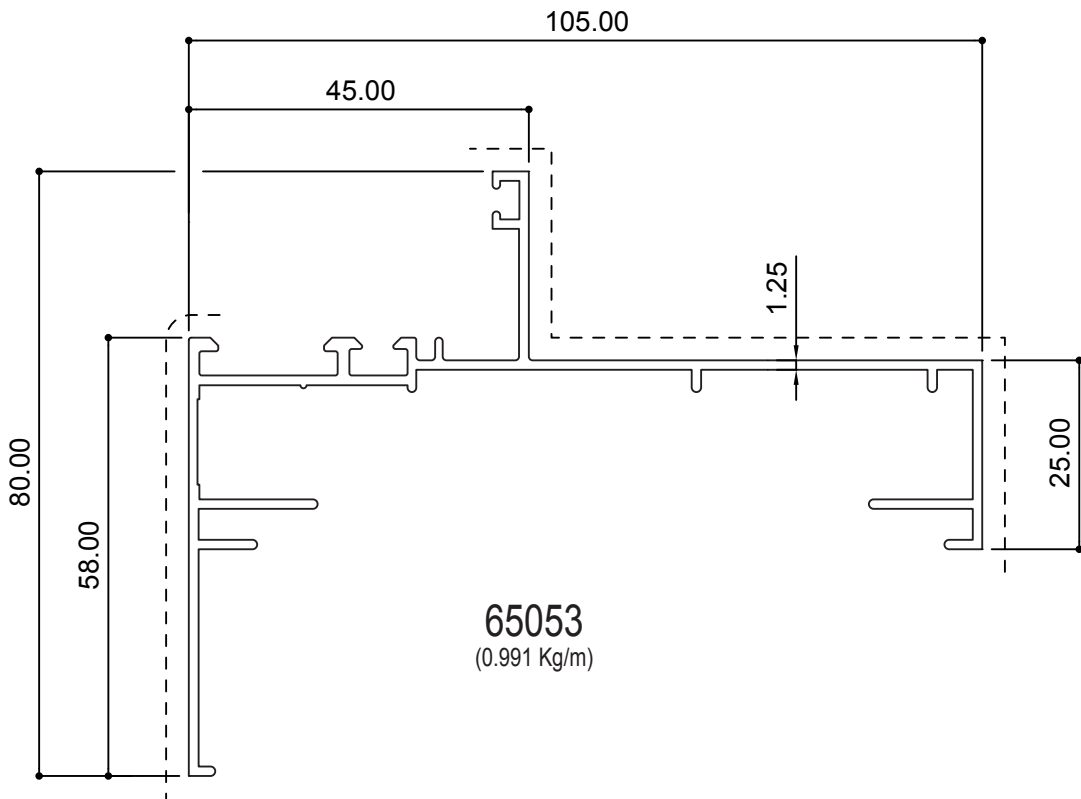
* For export, not recommended for GCC usage

Frame Profiles - 45 mm



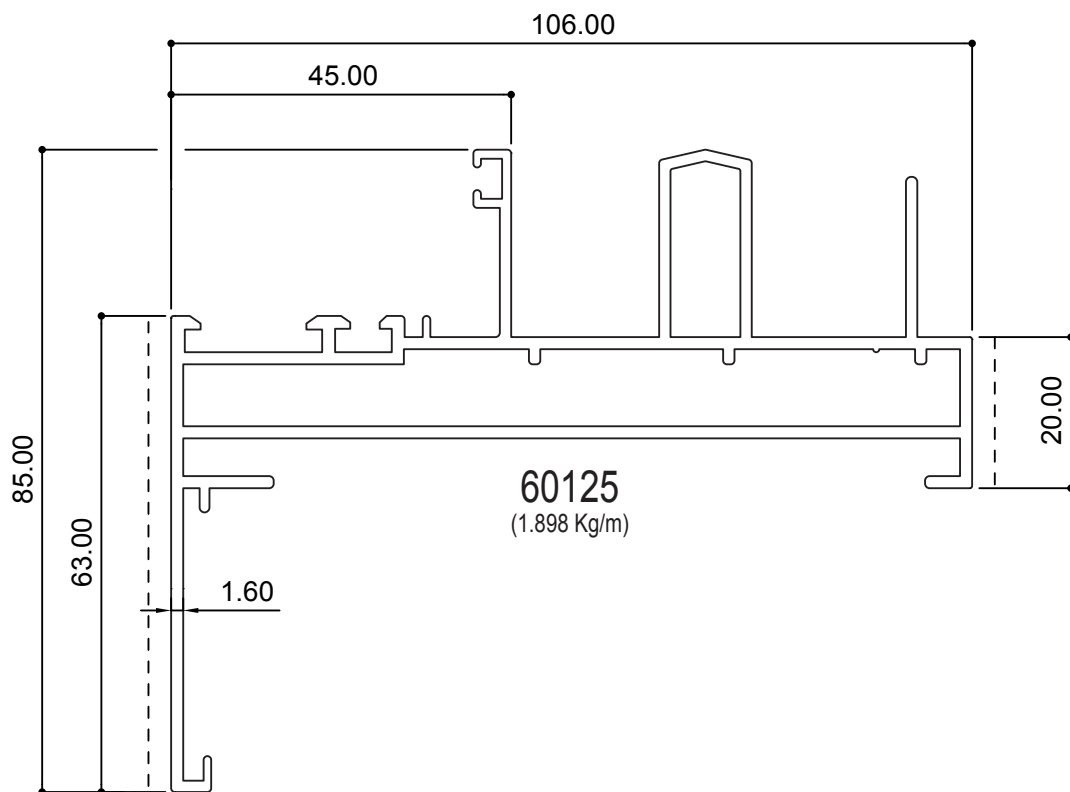
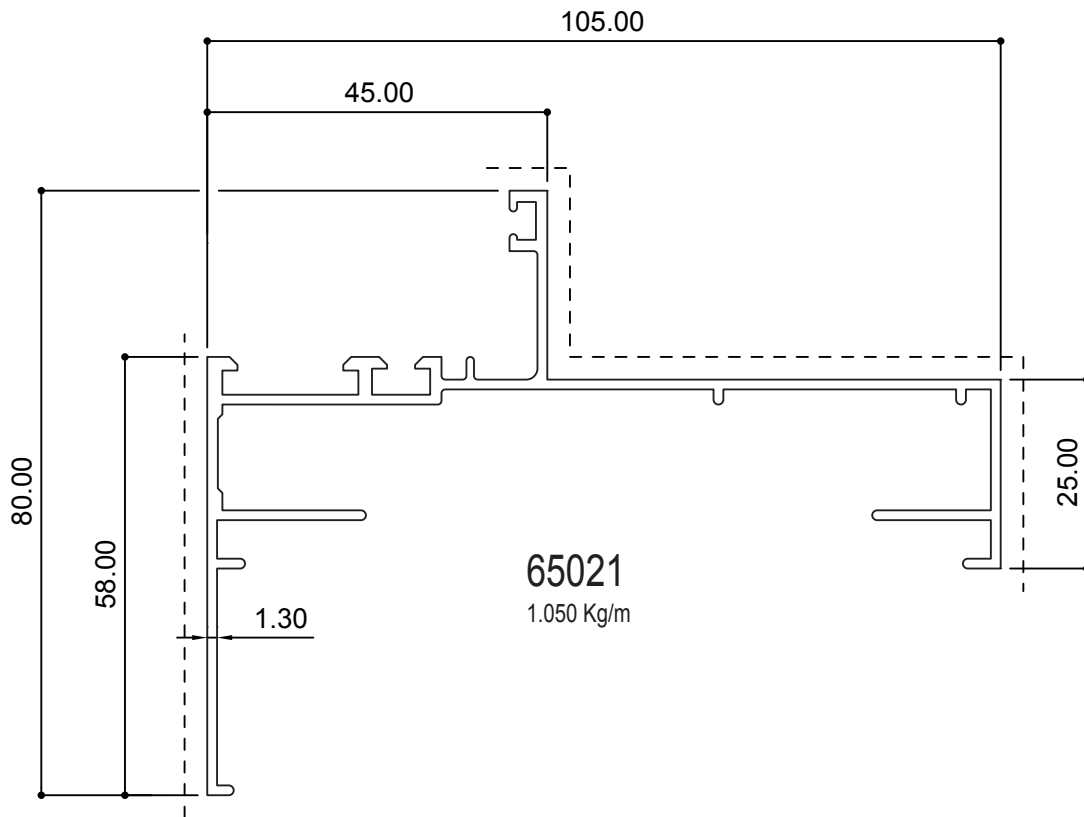
* For export, not recommended for GCC usage

Frame Profiles - 45 mm



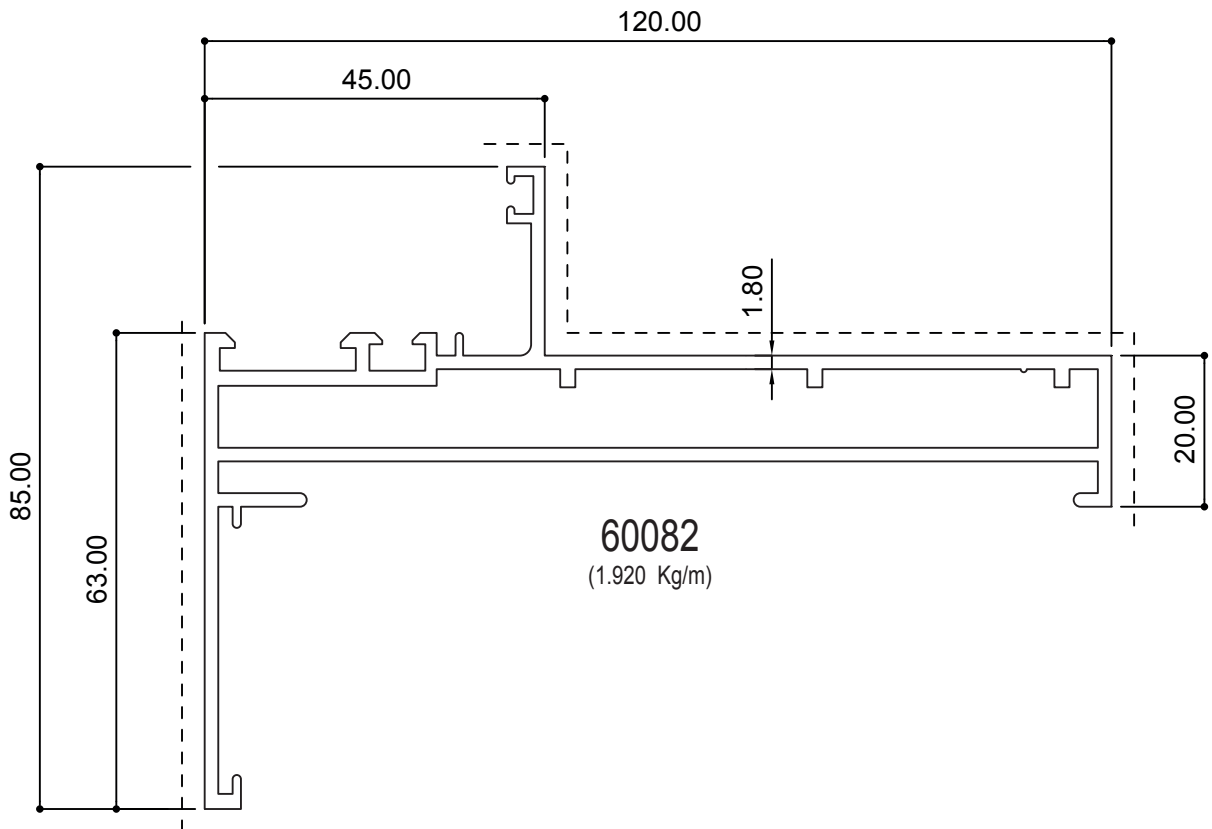
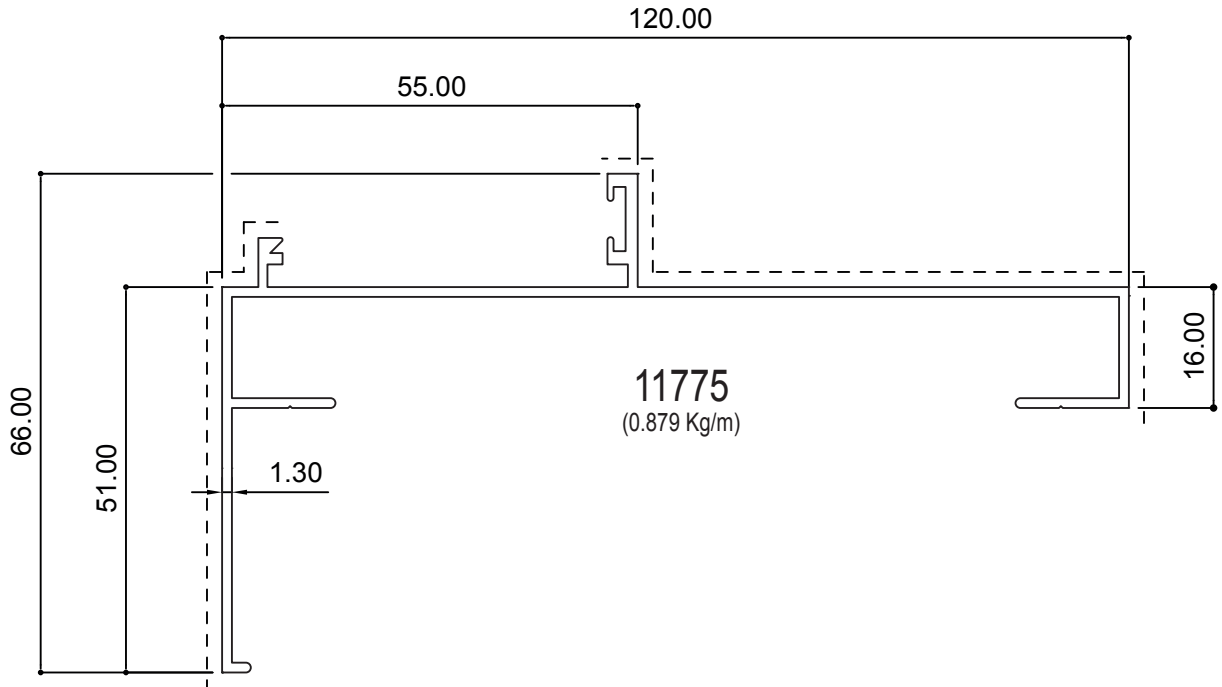
* For export, not recommended for GCC usage

Frame Profiles - 45 mm



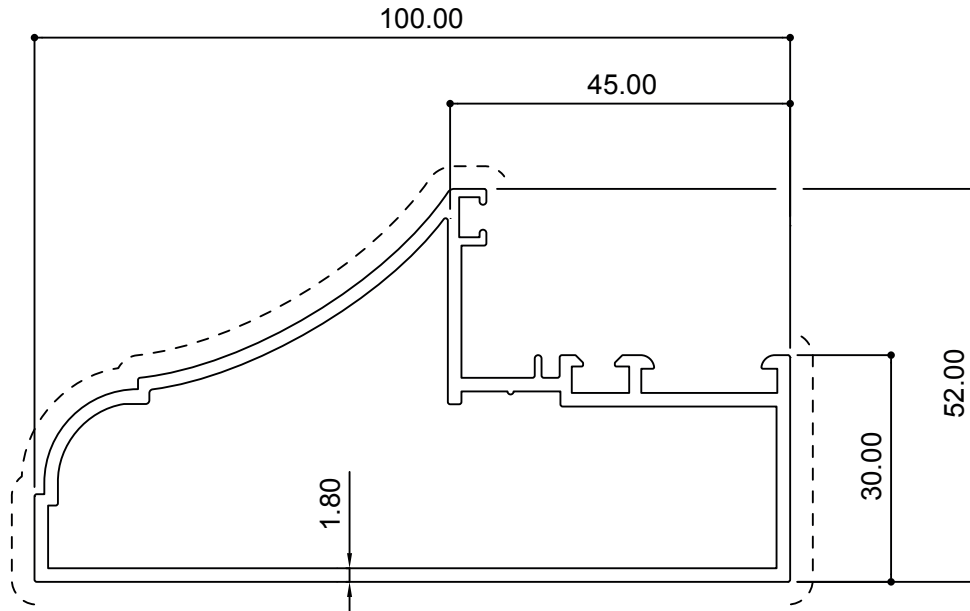
* For export, not recommended for GCC usage

Frame Profiles - 45 mm

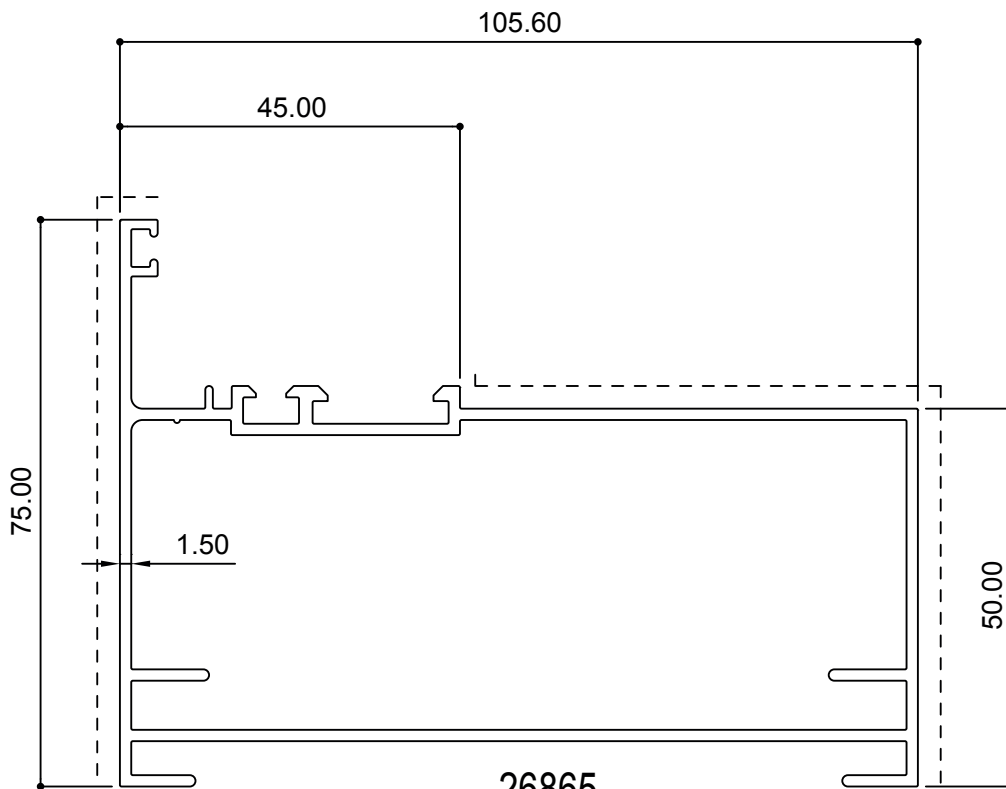


* For export, not recommended for GCC usage

Frame Profiles - 45 mm



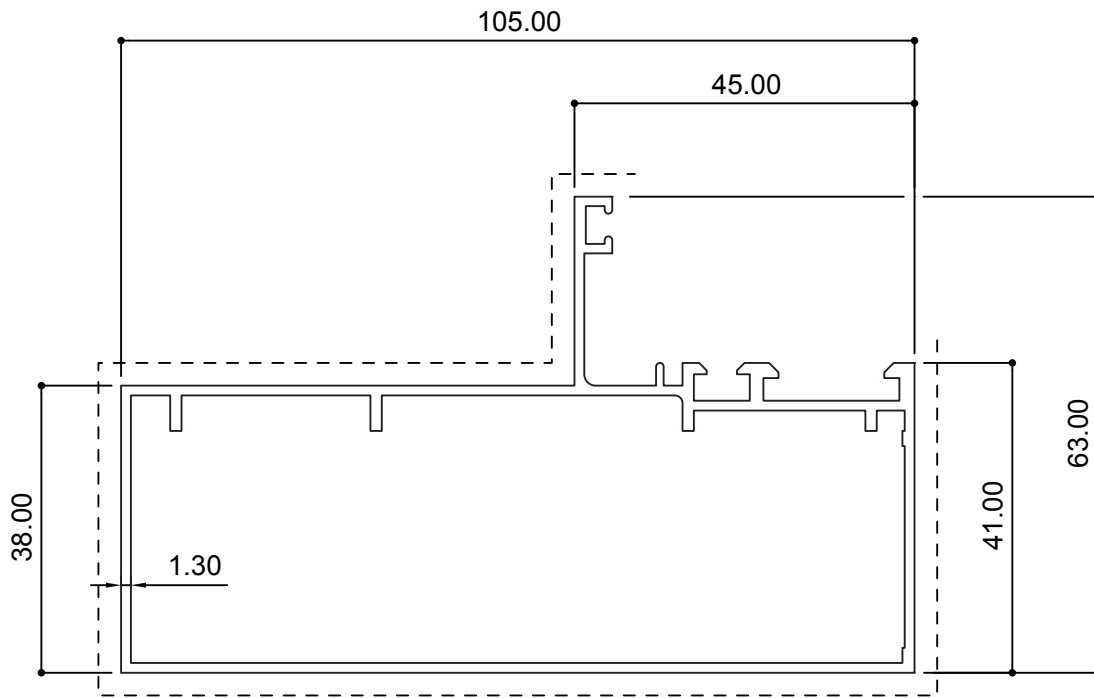
27224
(1.450 Kg/m)



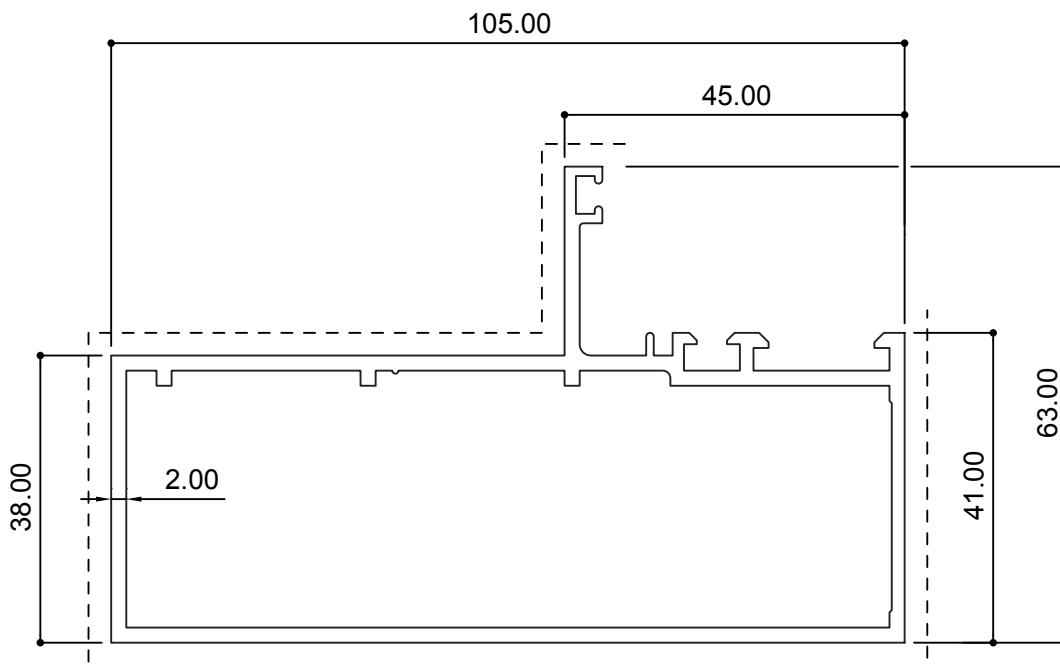
26865
(1.620 Kg/m)

* For export, not recommended for GCC usage

Frame Profiles - 45 mm



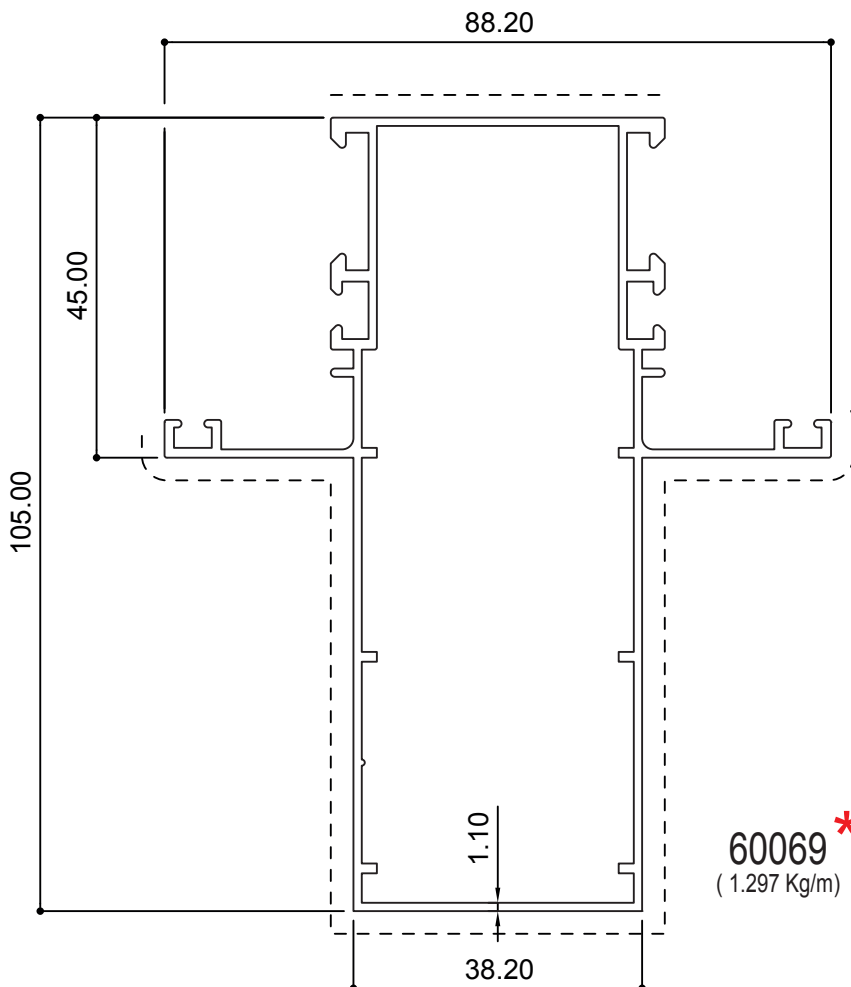
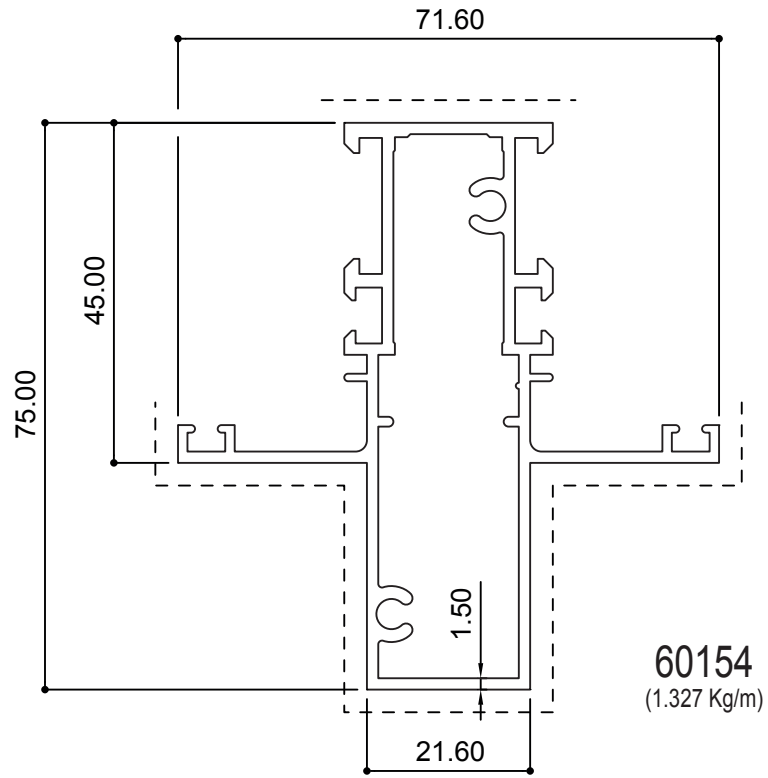
60047
1.272 Kg/m



21174
(1.765 Kg/m)

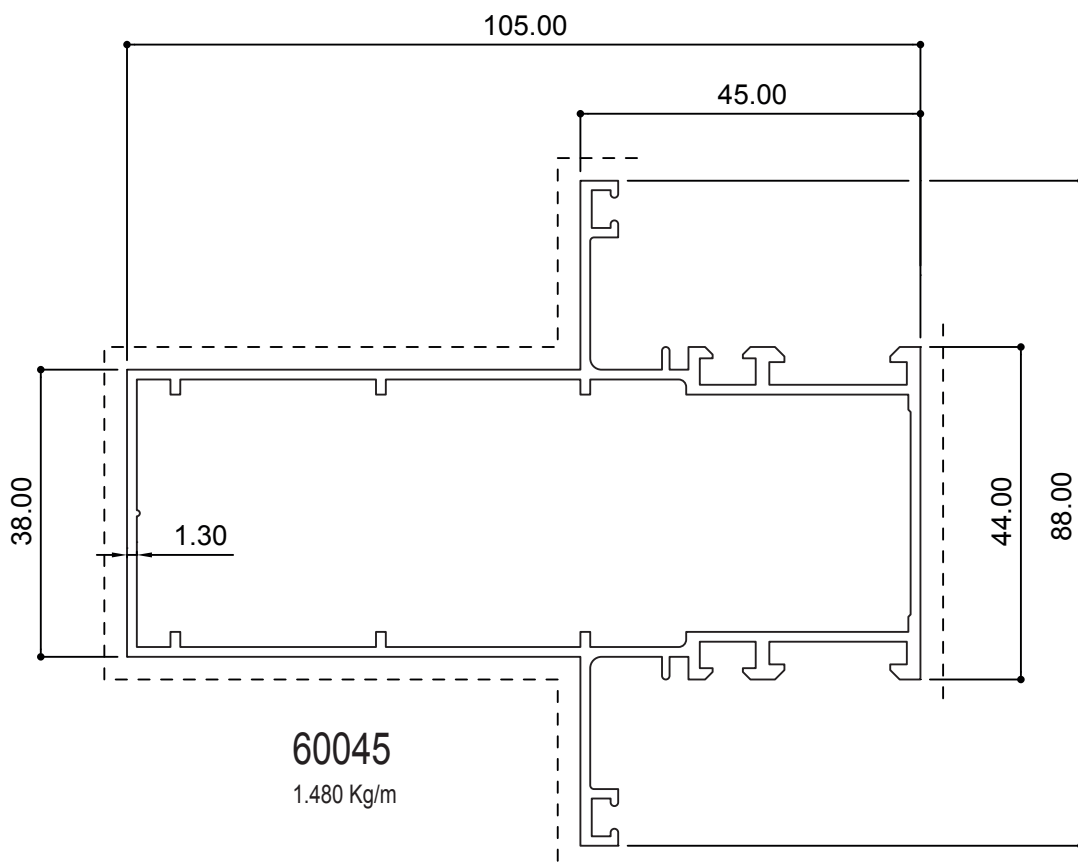
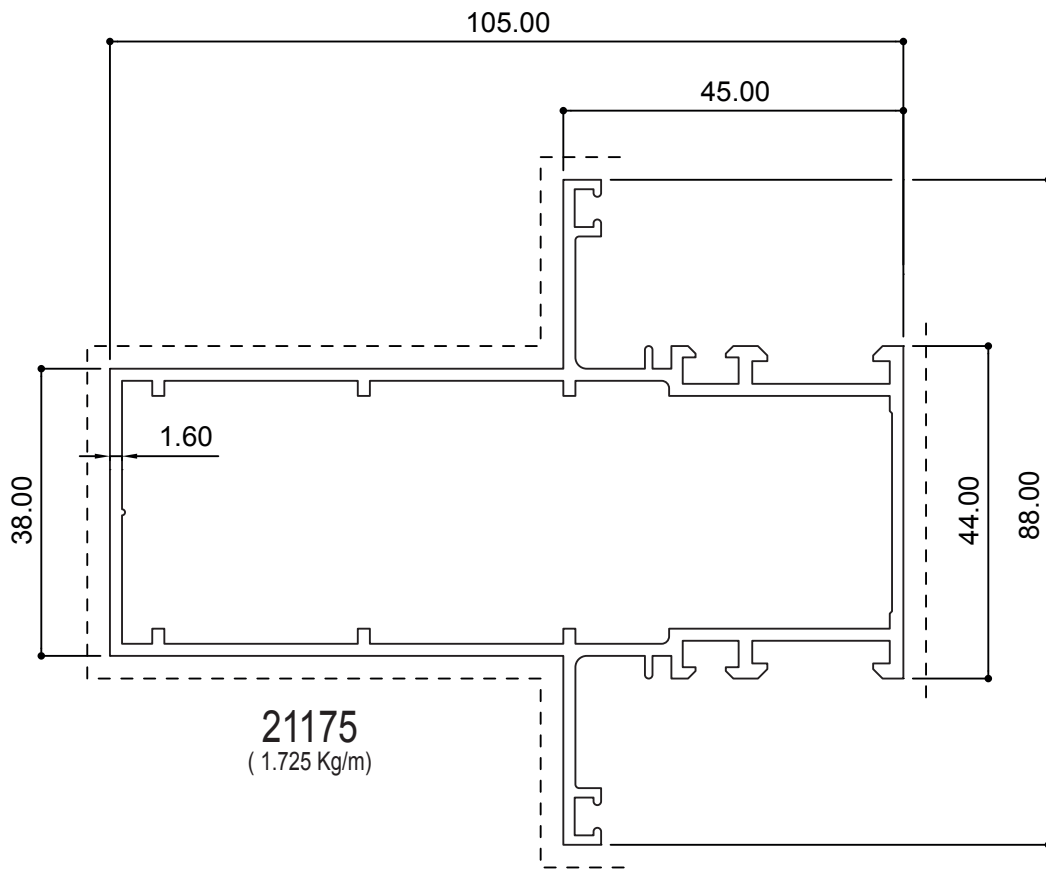
* For export, not recommended for GCC usage

T Profiles - 45 mm



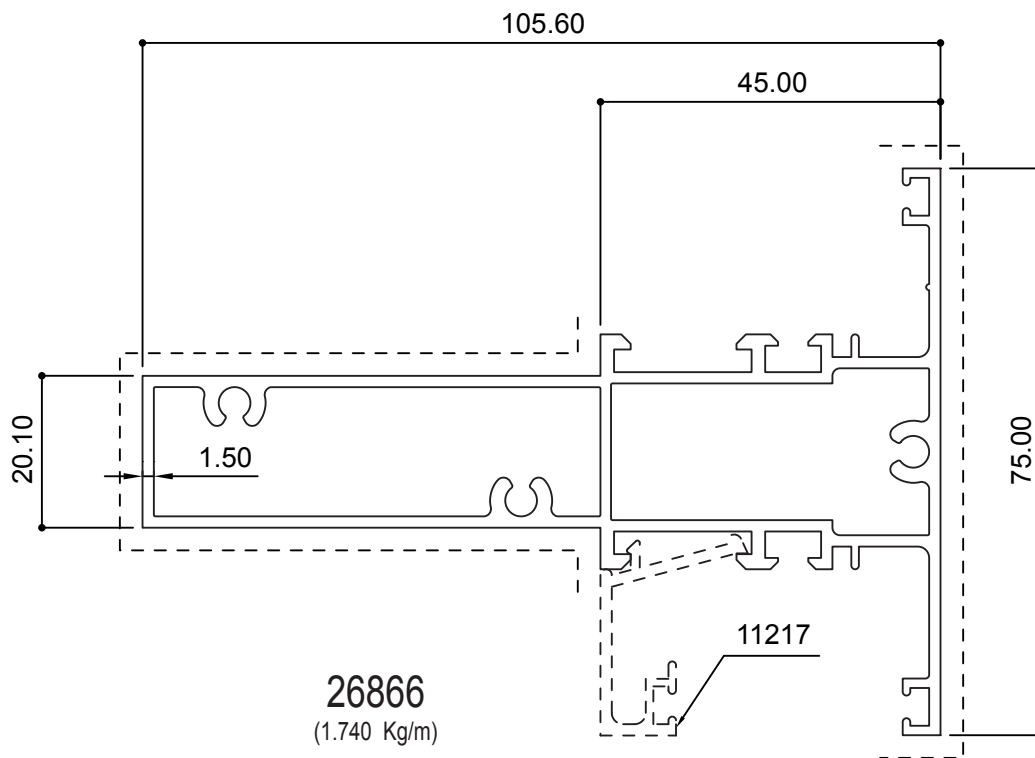
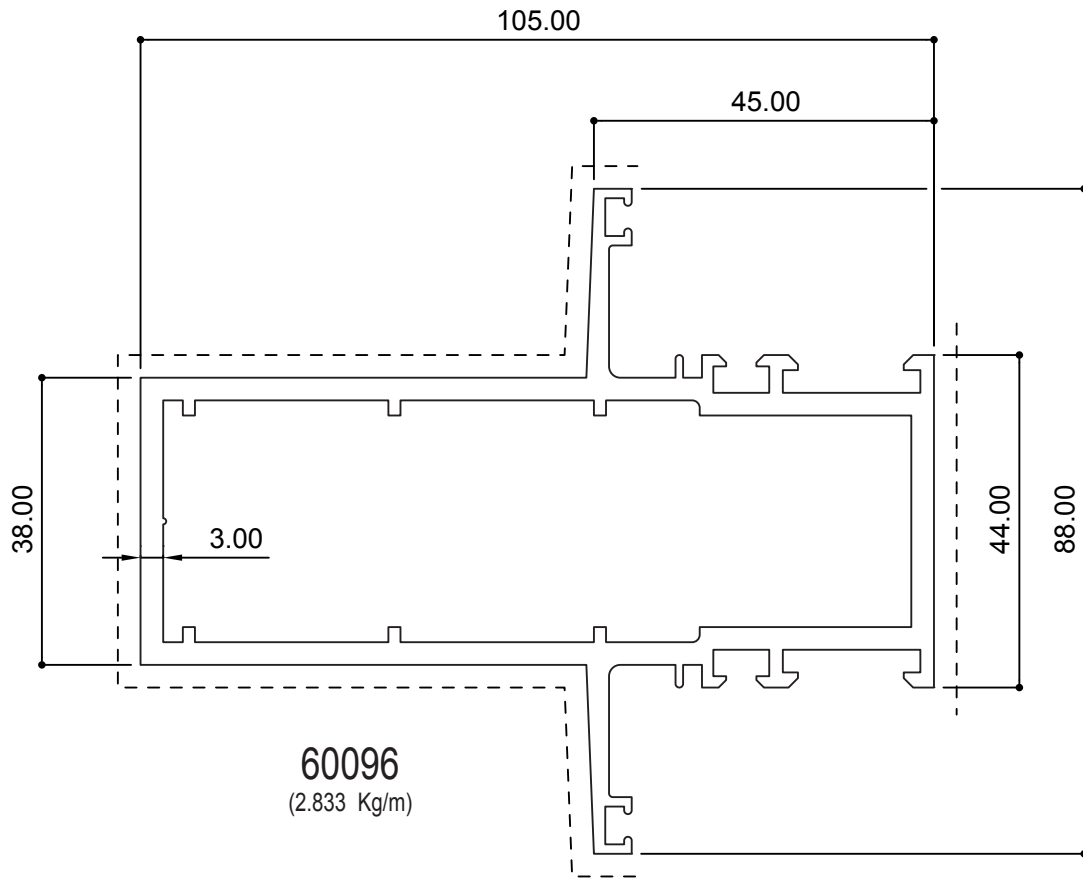
* For export, not recommended for GCC usage

T Profiles - 45 mm



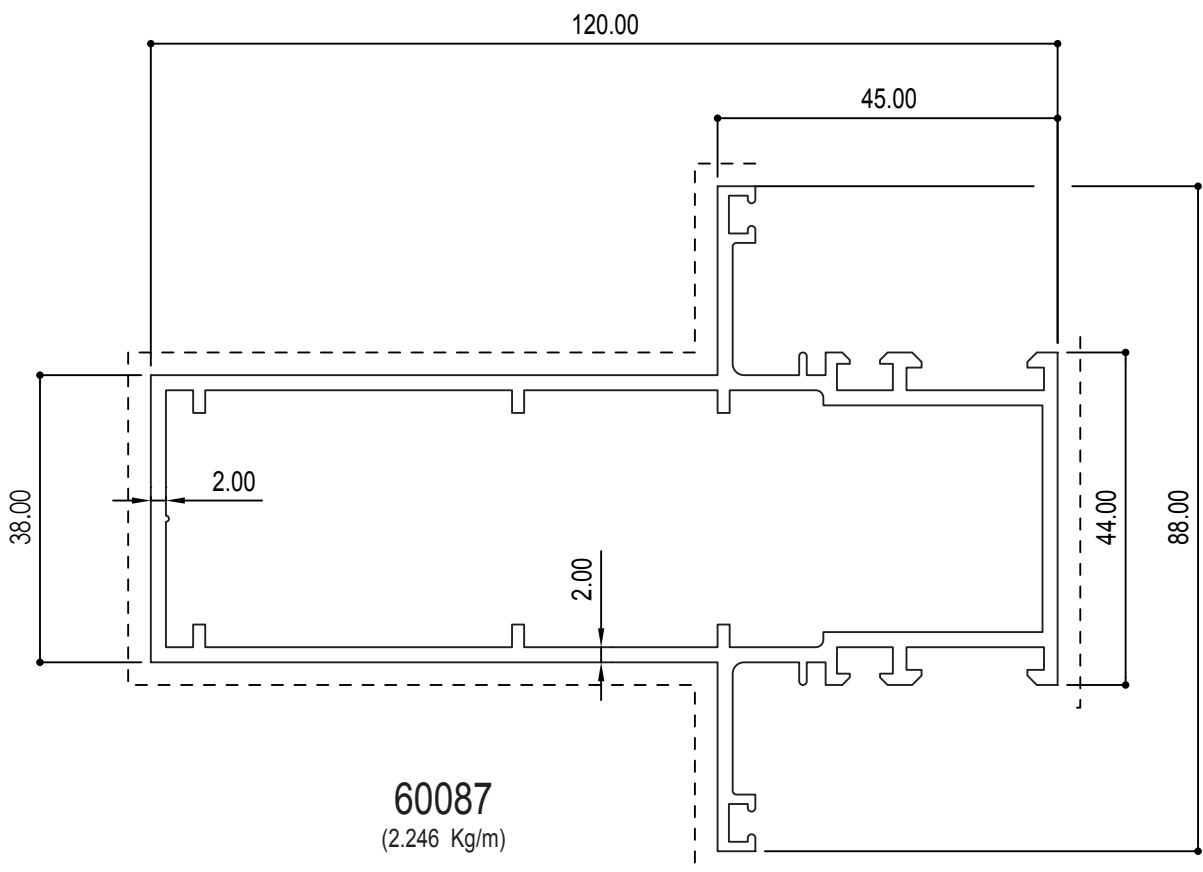
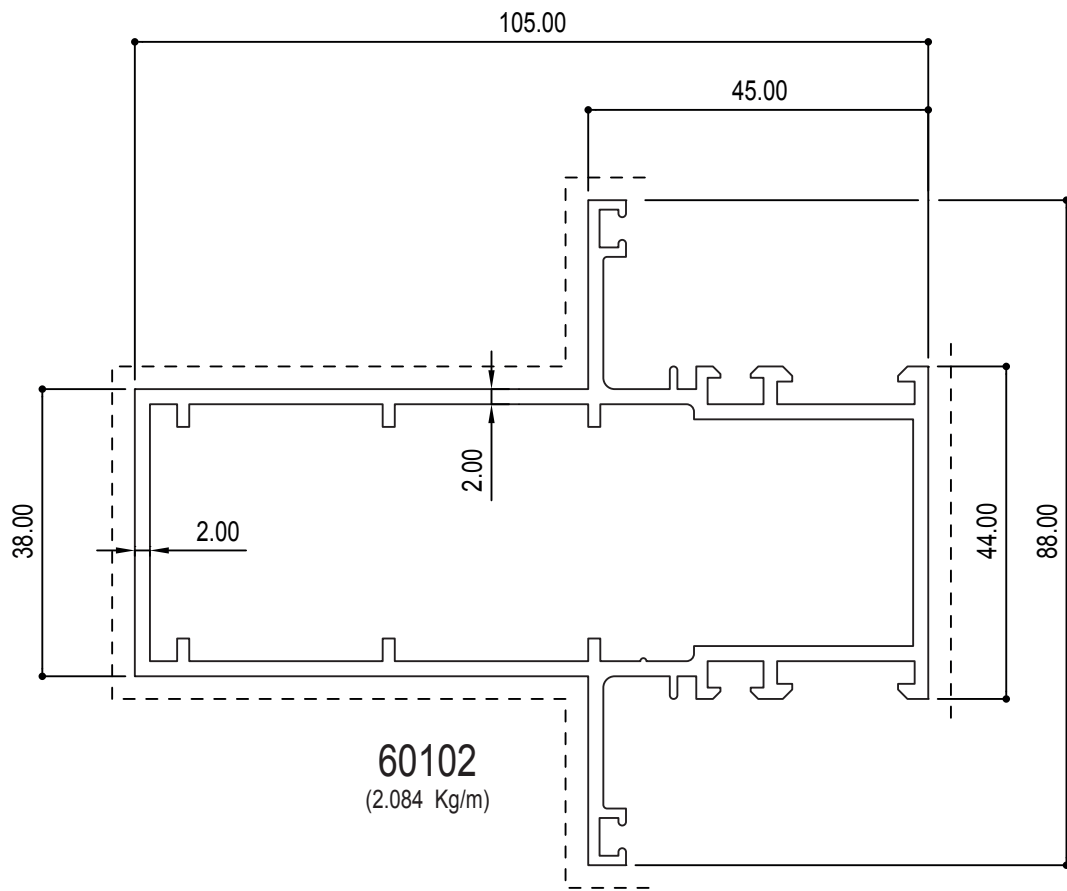
* For export, not recommended for GCC usage

T Profiles - 45 mm



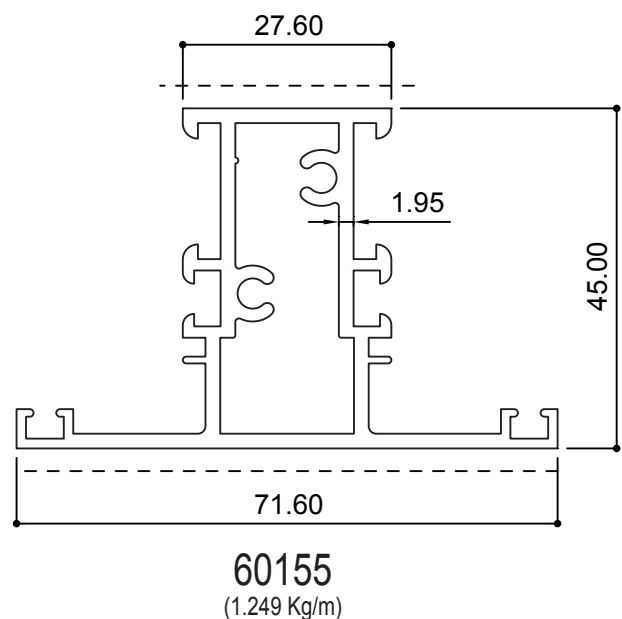
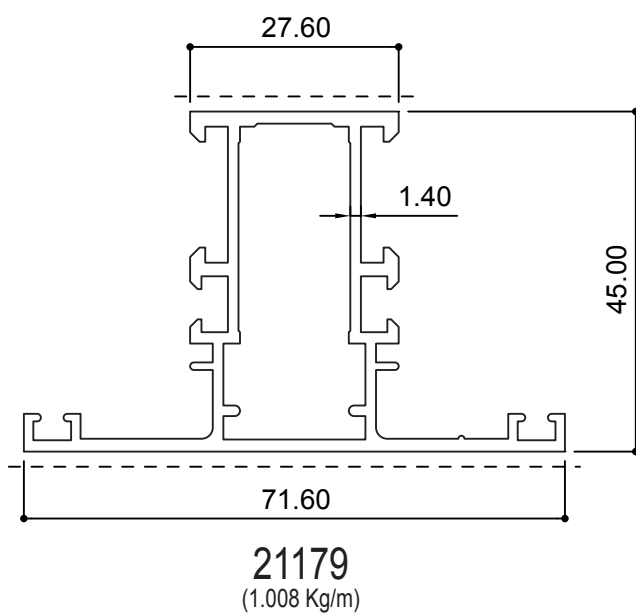
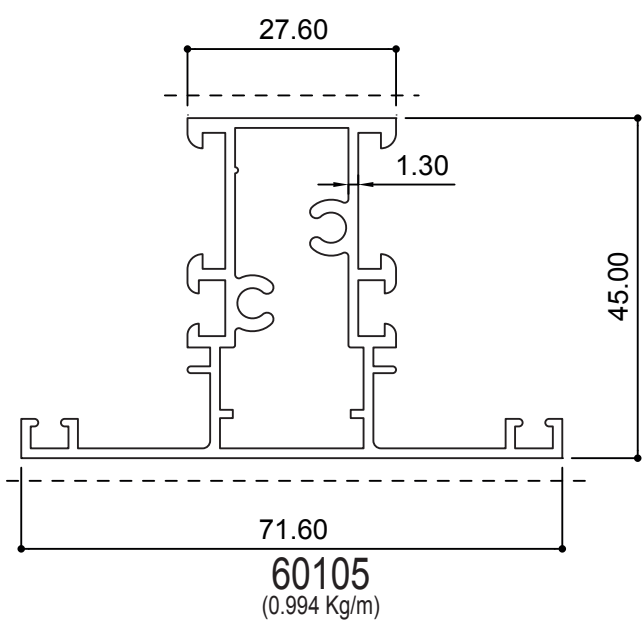
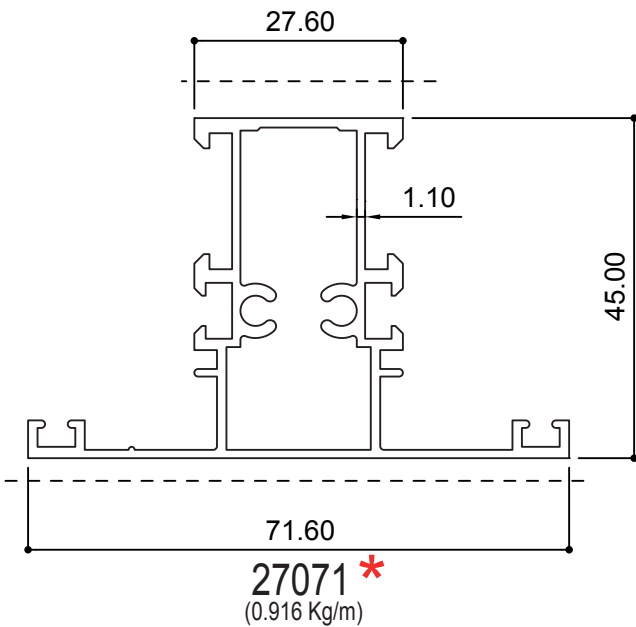
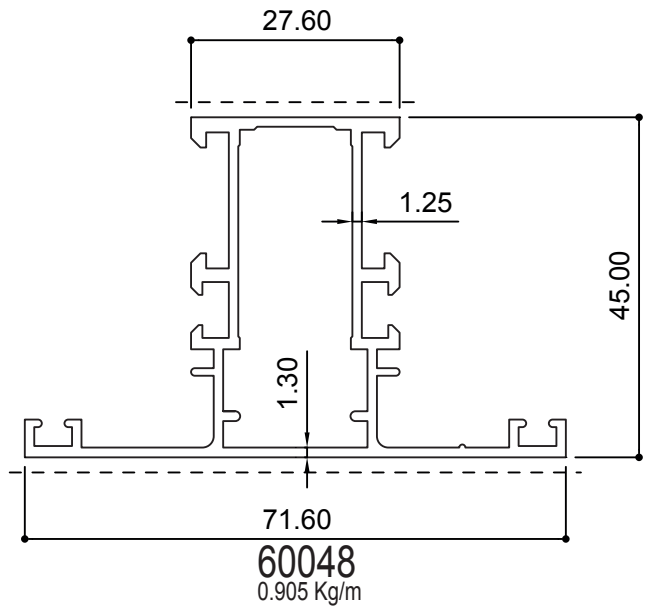
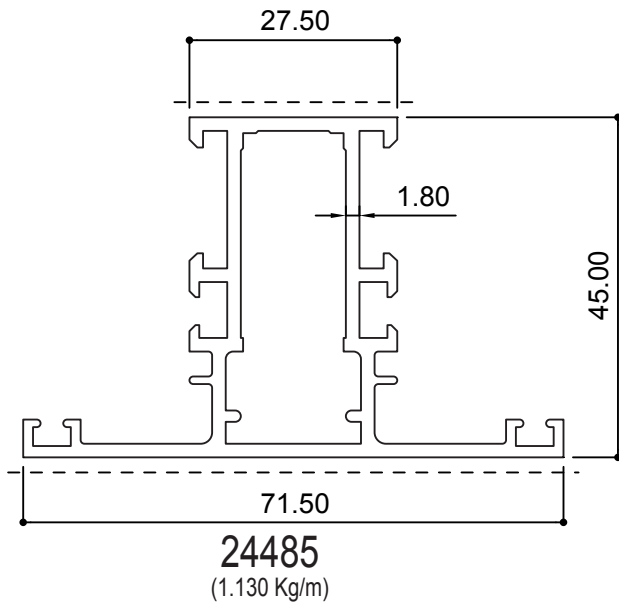
* For export, not recommended for GCC usage

T Profiles - 45 mm



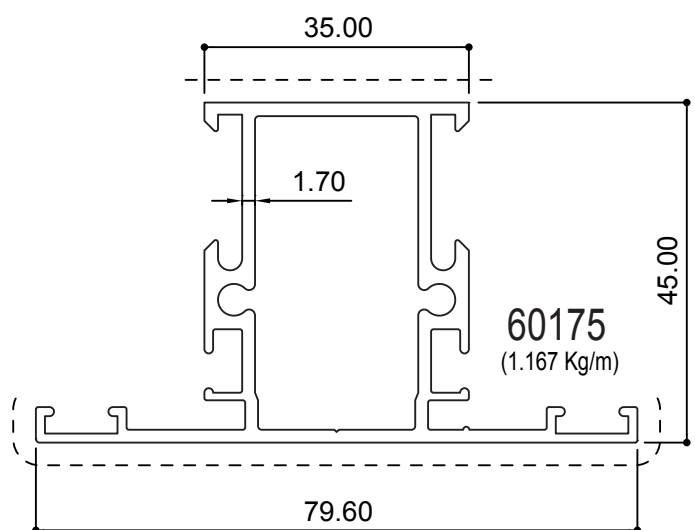
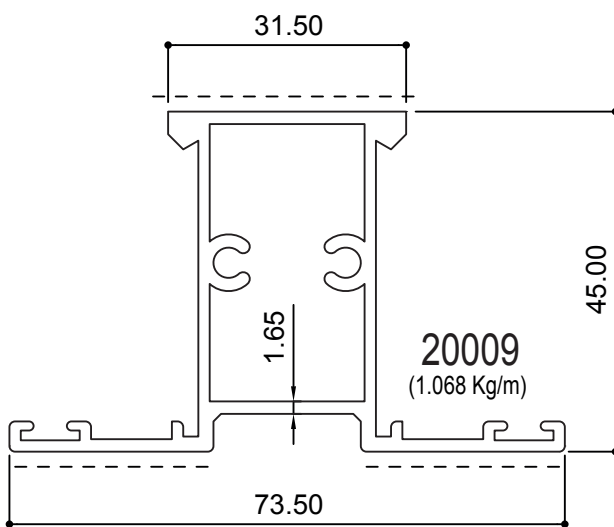
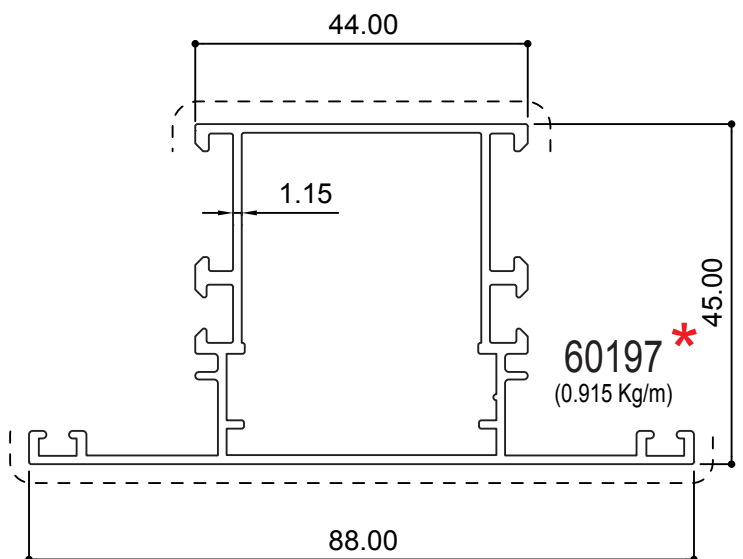
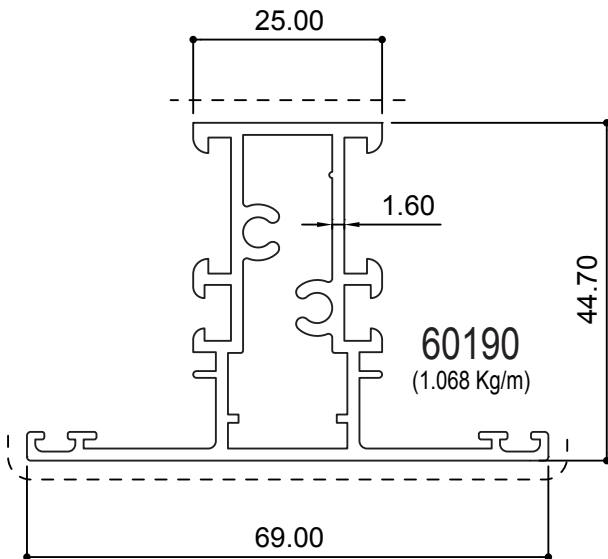
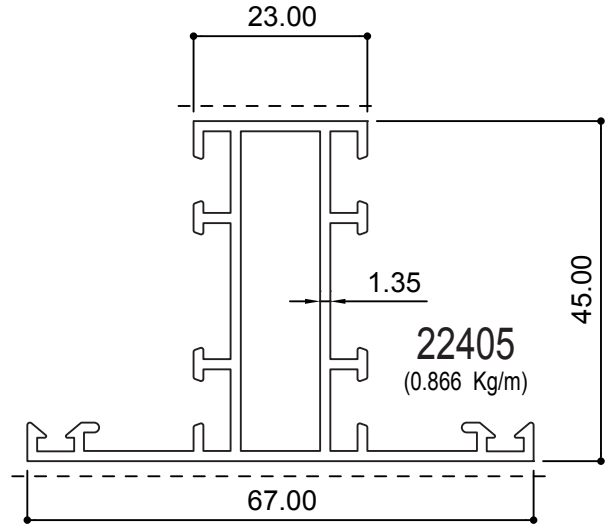
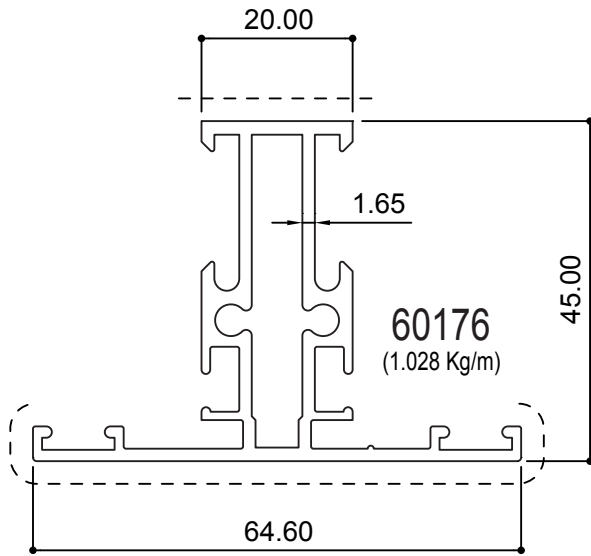
* For export, not recommended for GCC usage

T Profiles - 45 mm



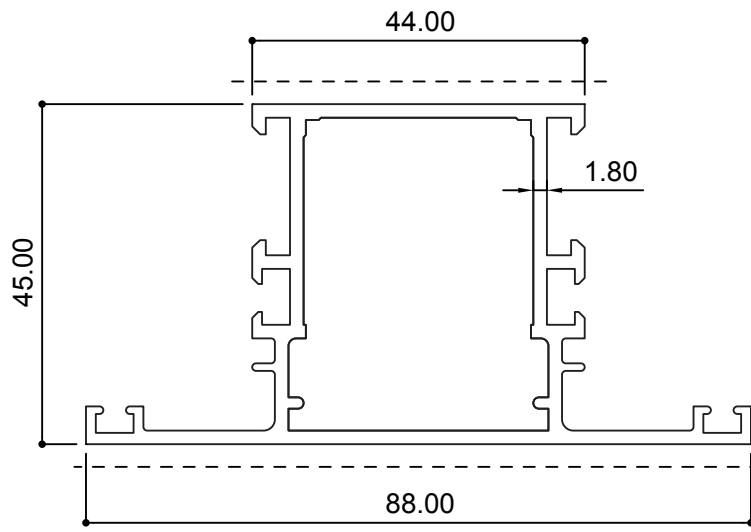
* For export, not recommended for GCC usage

T Profiles - 45 mm

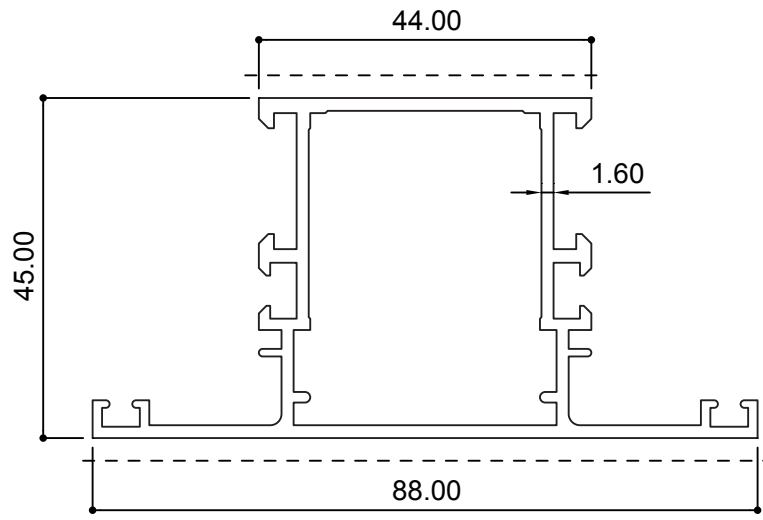


* For export, not recommended for GCC usage

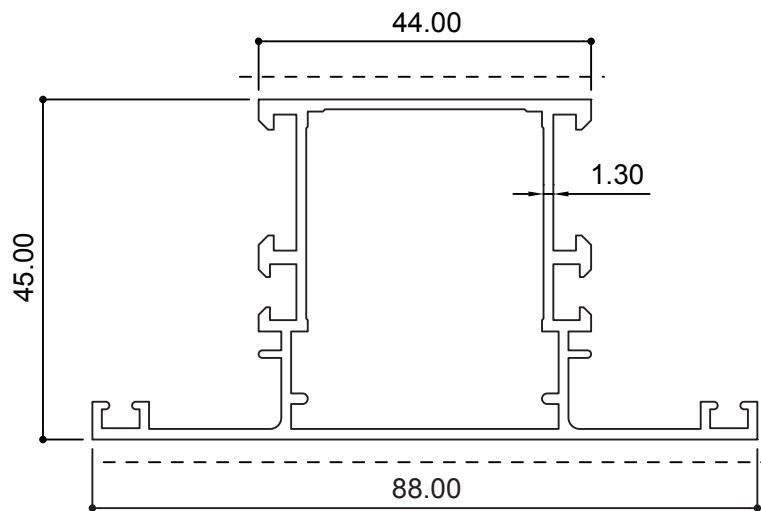
T Profiles - 45 mm



24484
(1.291 Kg/m)



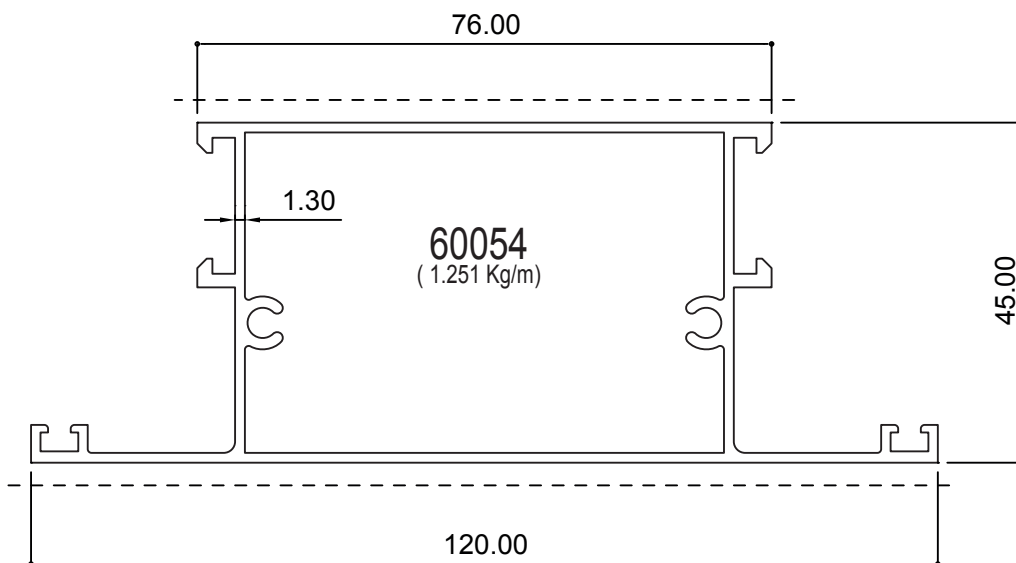
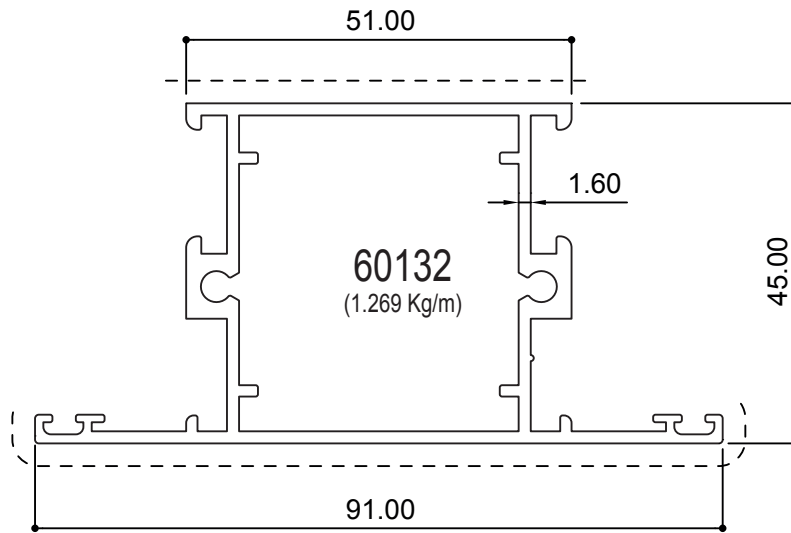
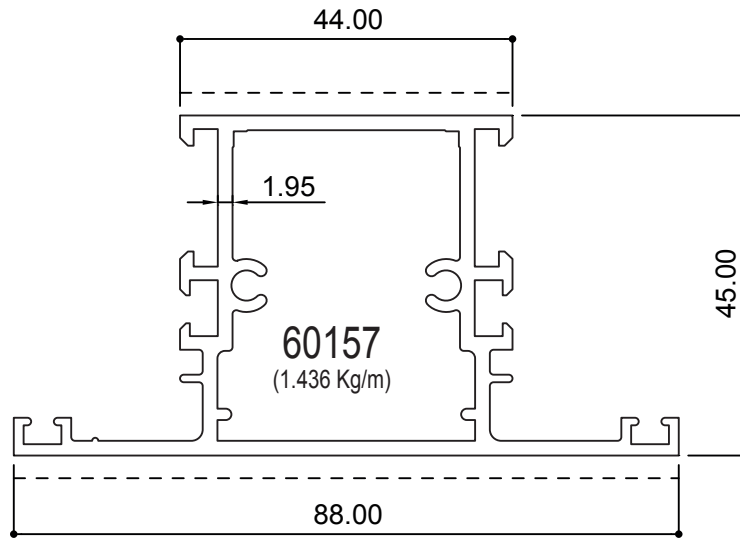
22409
(1.210 Kg/m)



60049
1.052 Kg/m

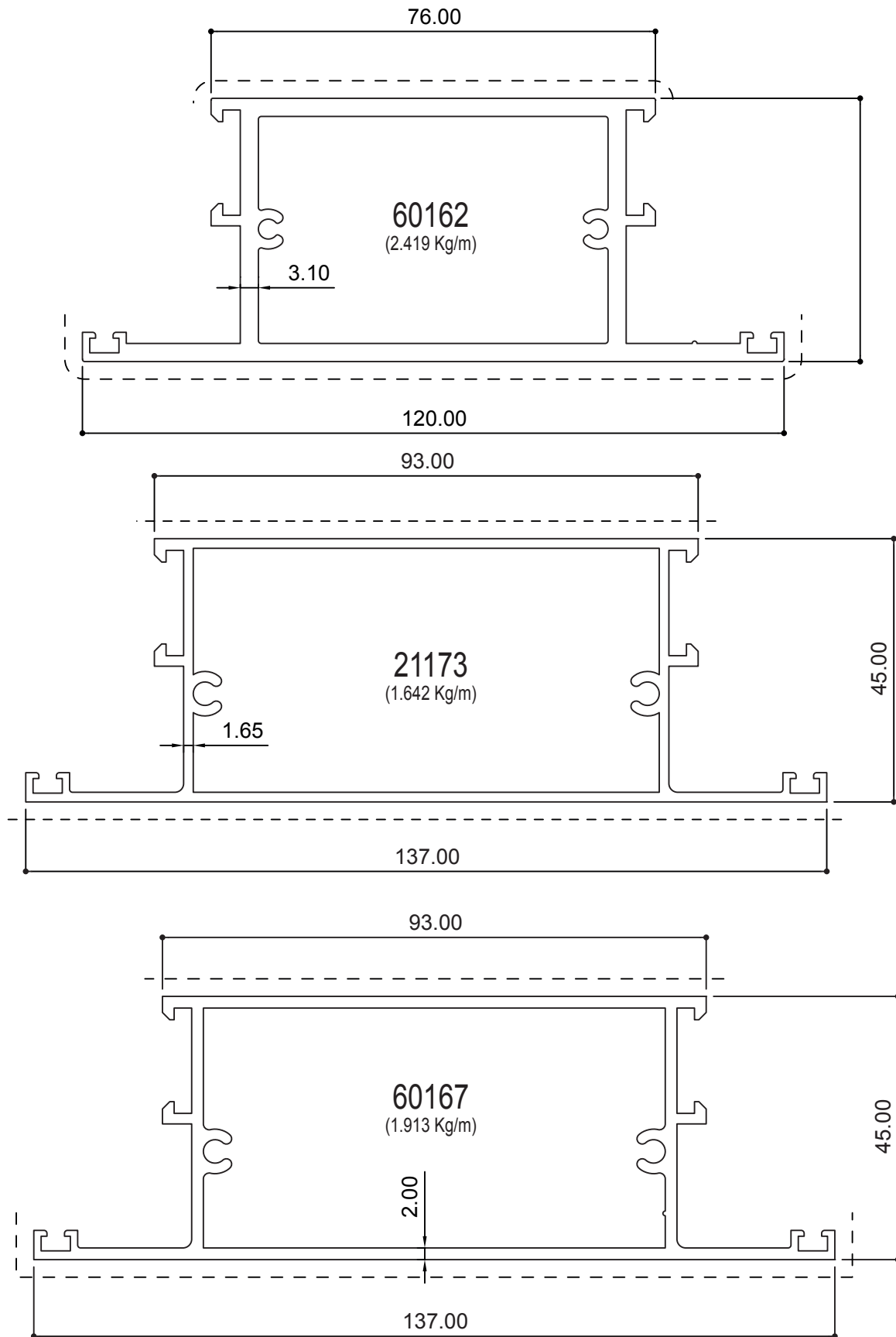
* For export, not recommended for GCC usage

T Profiles - 45 mm



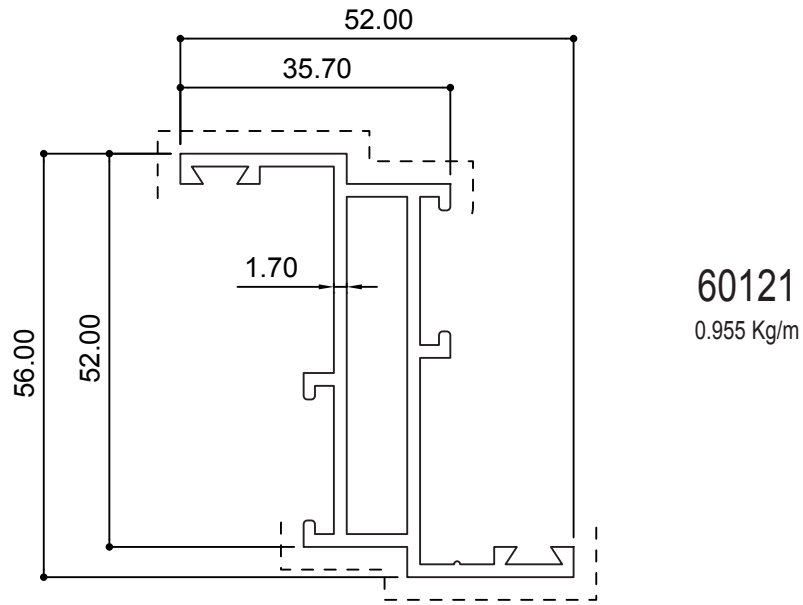
* For export, not recommended for GCC usage

T Profiles - 45 mm

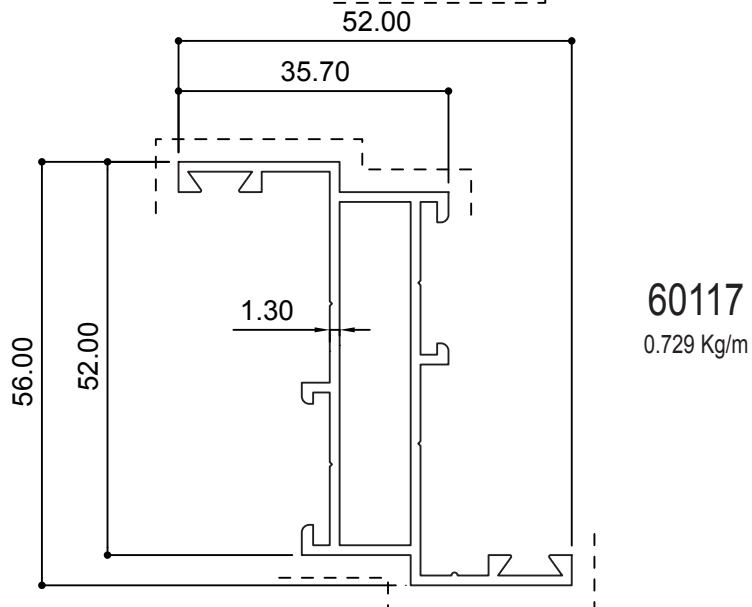


* For export, not recommended for GCC usage

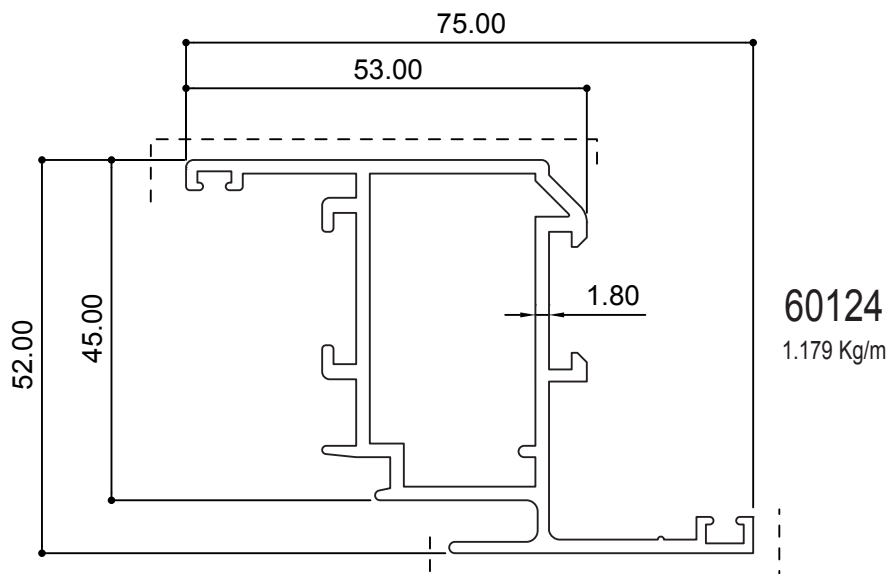
Sash Profiles



60121
0.955 Kg/m



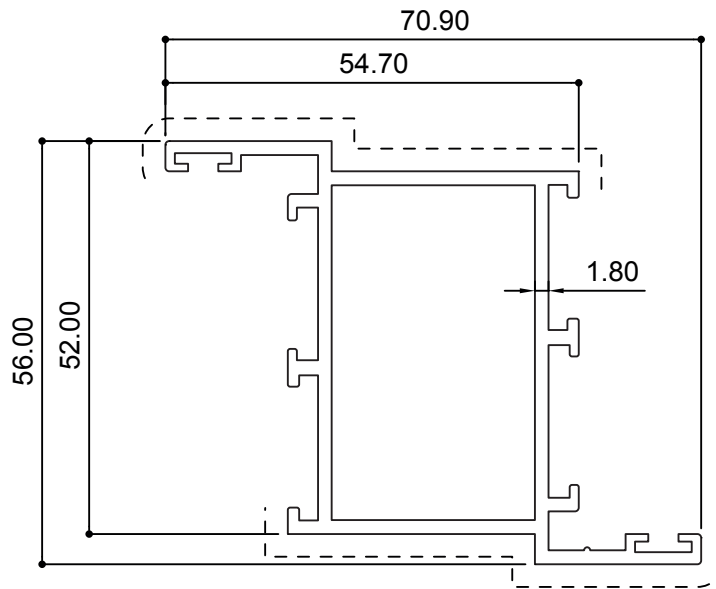
60117
0.729 Kg/m



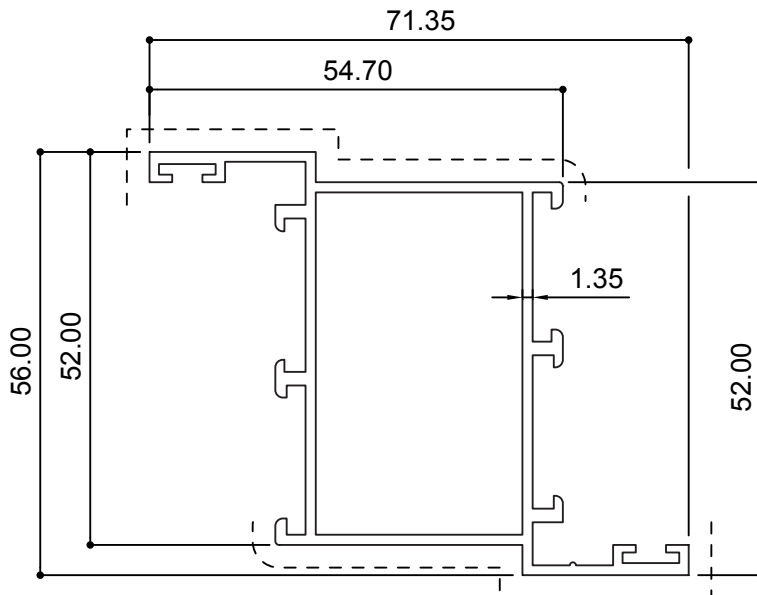
60124
1.179 Kg/m

* For export, not recommended for GCC usage

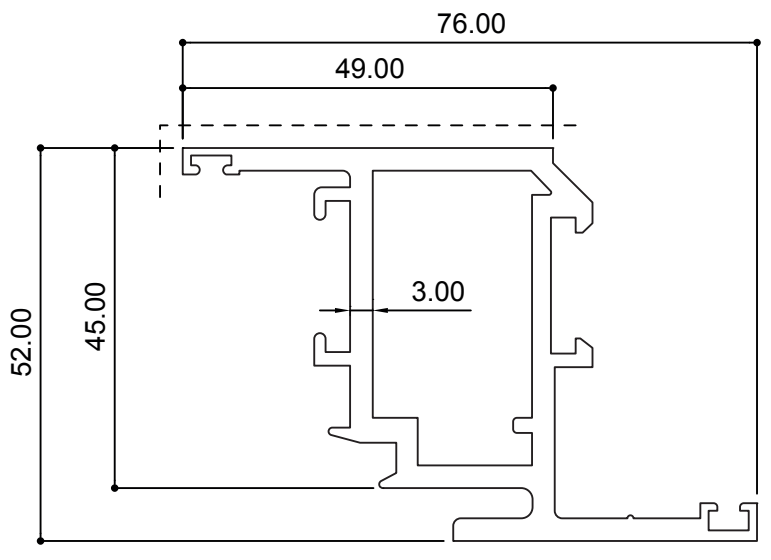
Sash Profiles



60123
1.180 Kg/m



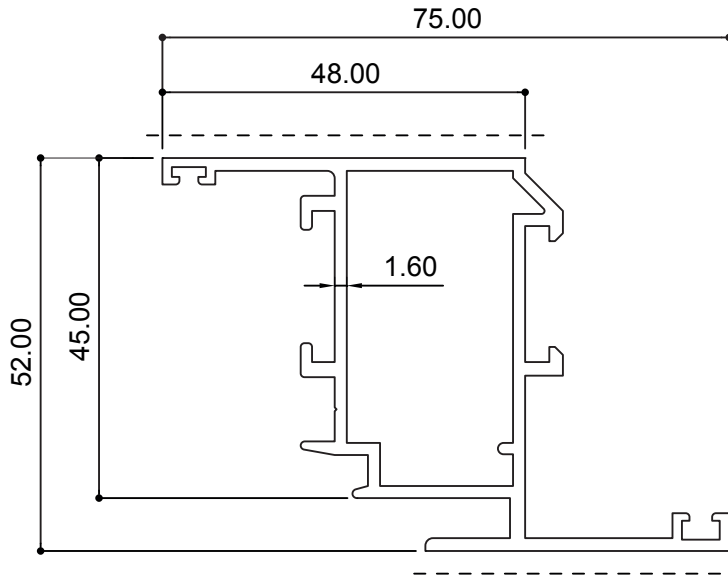
60122
0.945 Kg/m



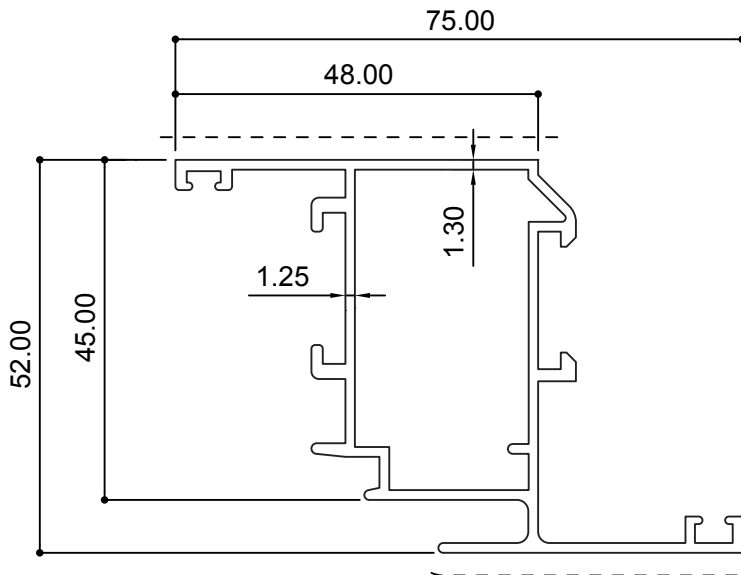
60080
(1.750 Kg/m)

* For export, not recommended for GCC usage

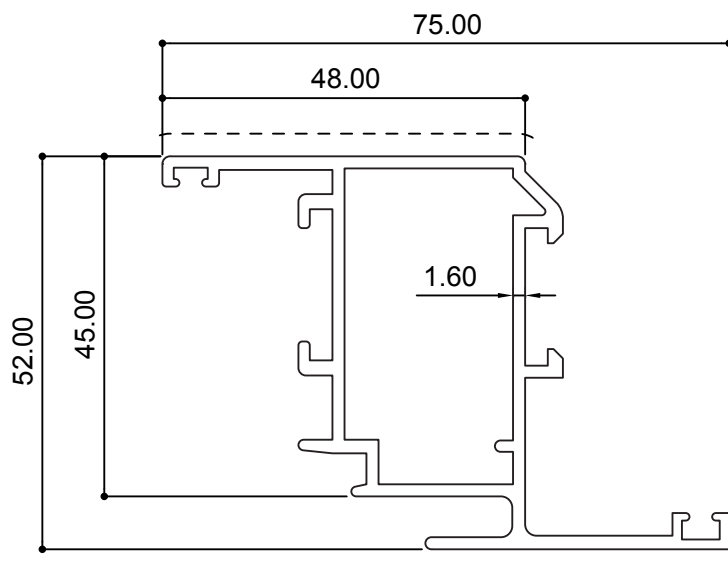
Sash Profiles - 45 mm



24487
(1.109 Kg/m)



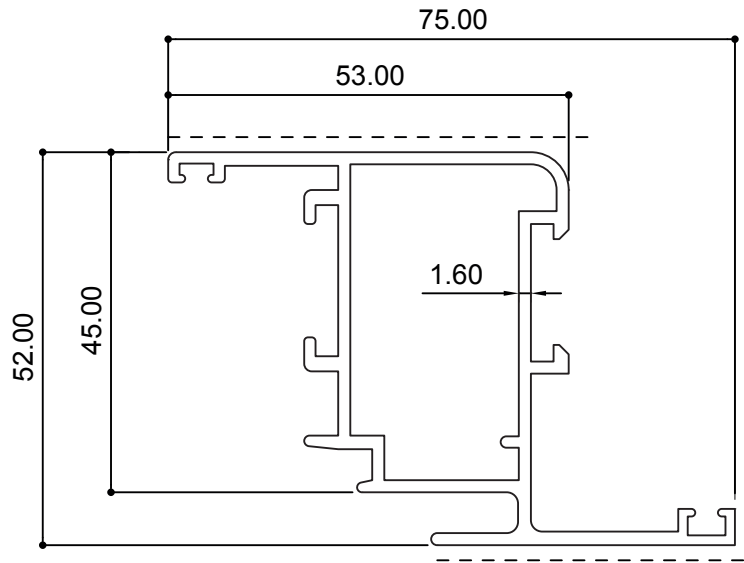
60050
0.932 Kg/m



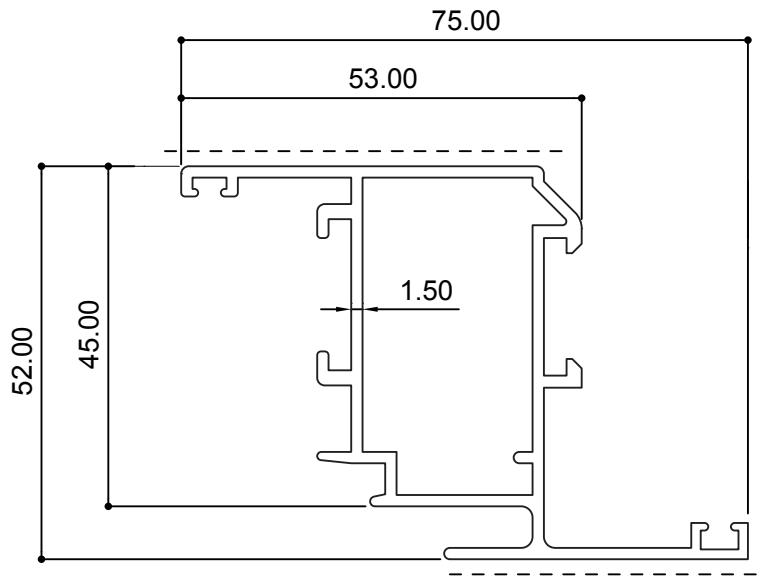
21178
(1.120 Kg/m)

* For export, not recommended for GCC usage

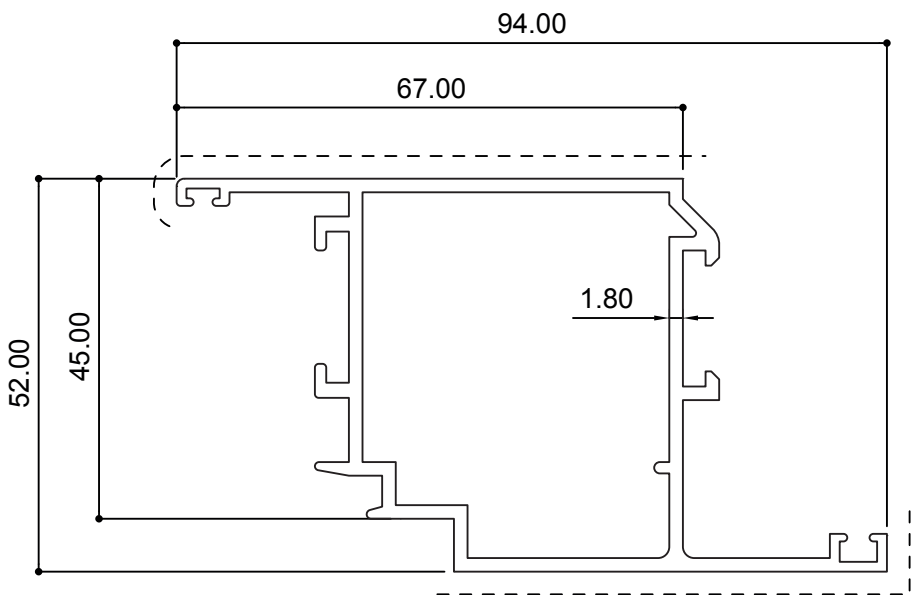
Sash Profiles - 45 mm



22014
(1.123 Kg/m)



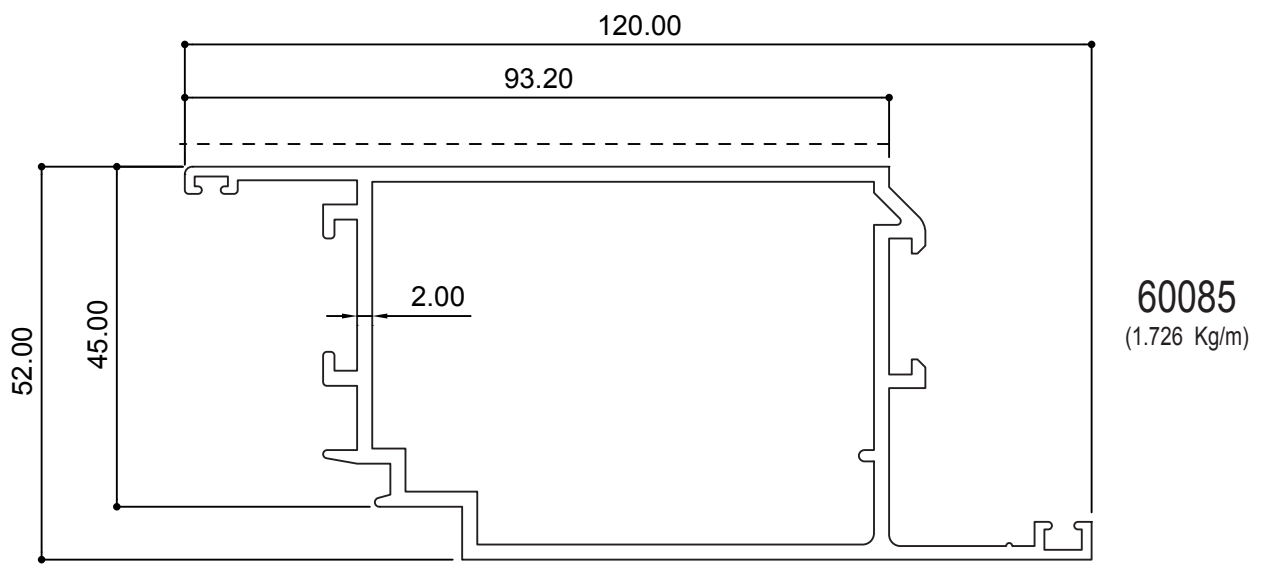
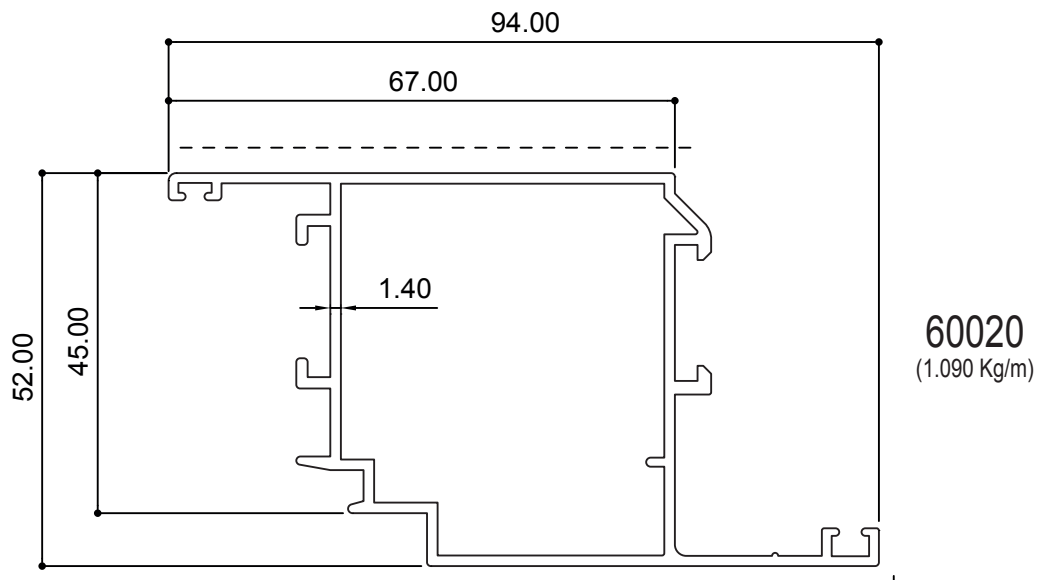
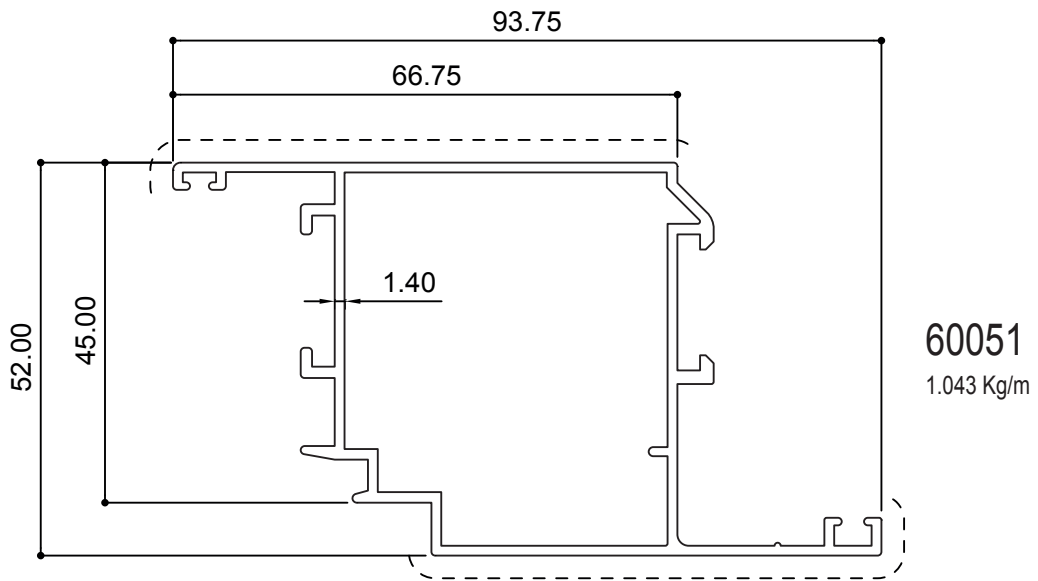
21946
(1.043 Kg/m)



24486
(1.348 Kg/m)

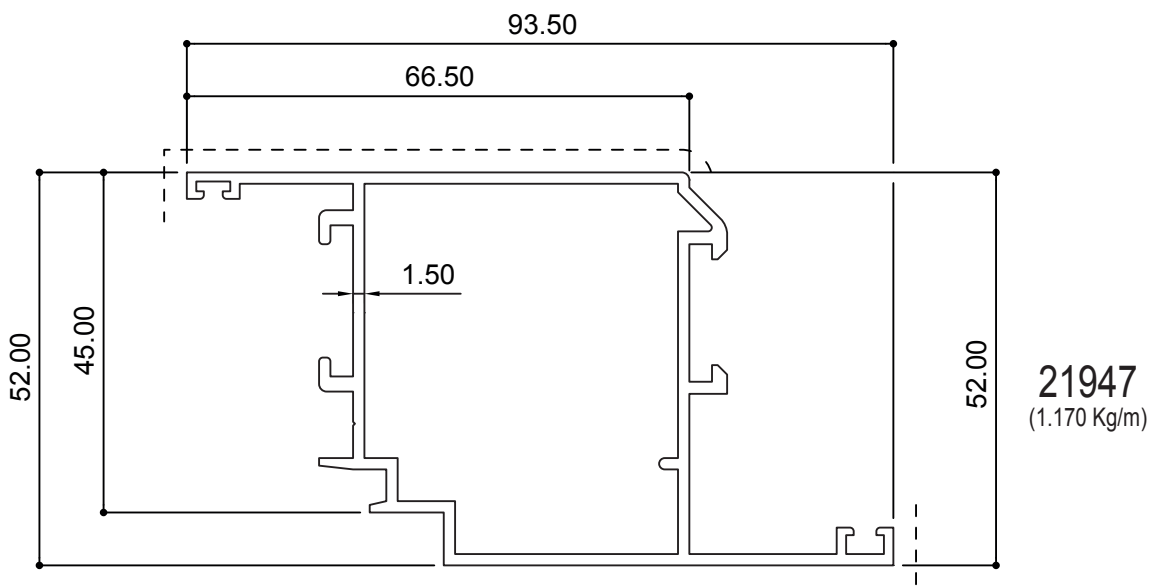
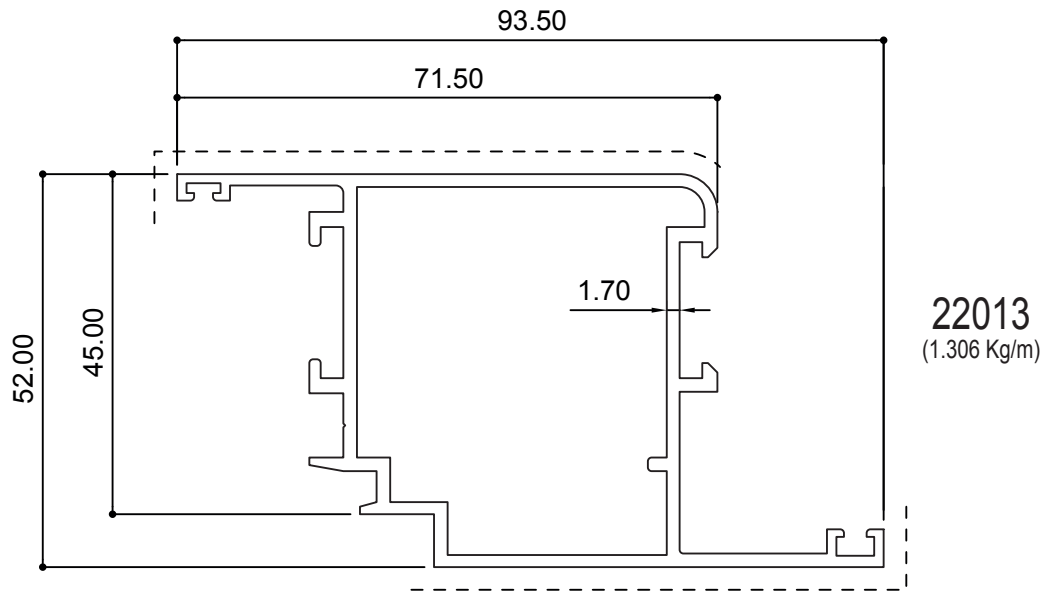
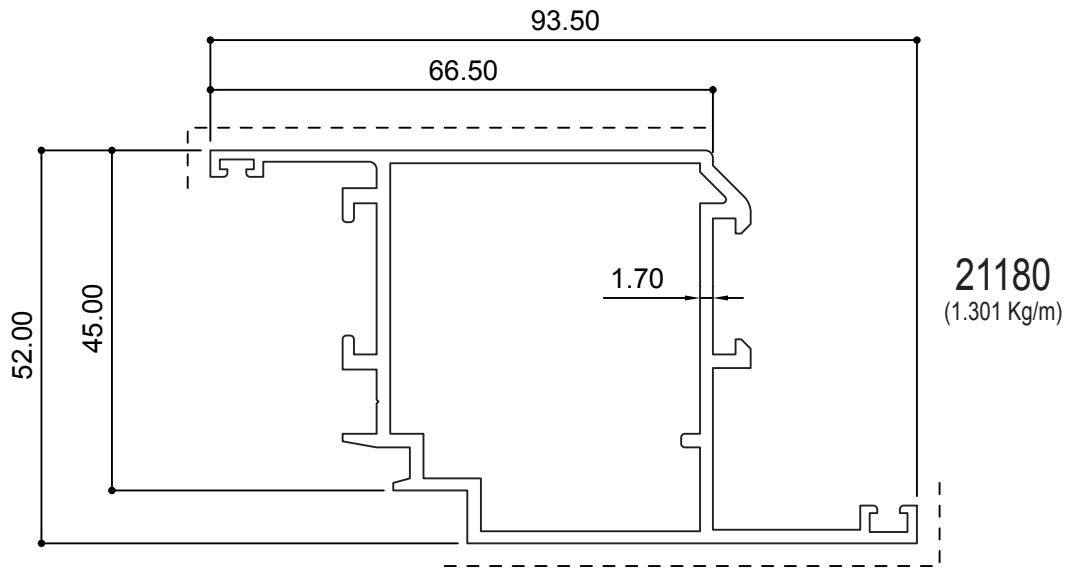
* For export, not recommended for GCC usage

Sash Profiles - 45 mm



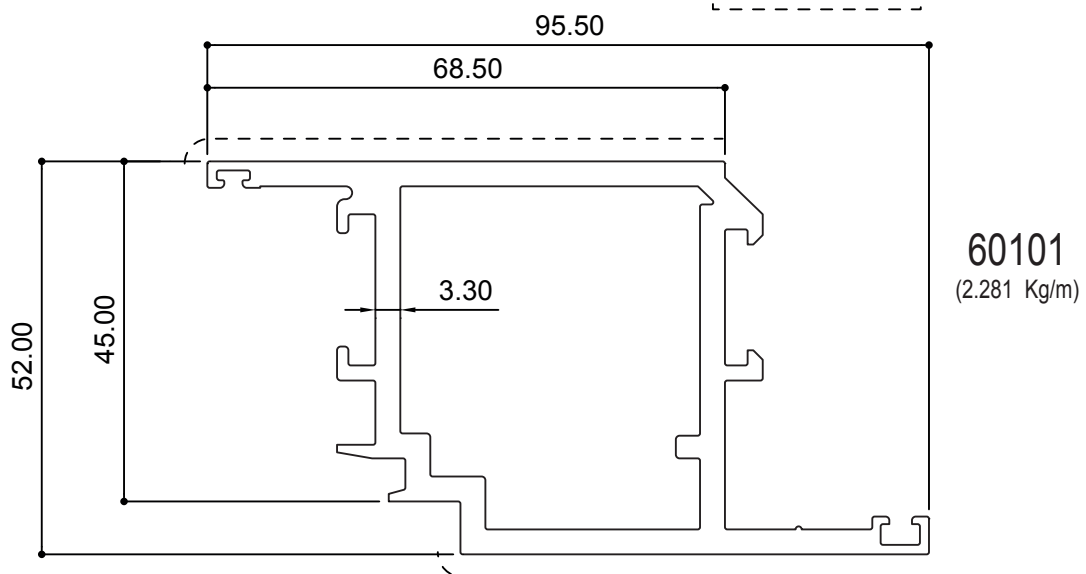
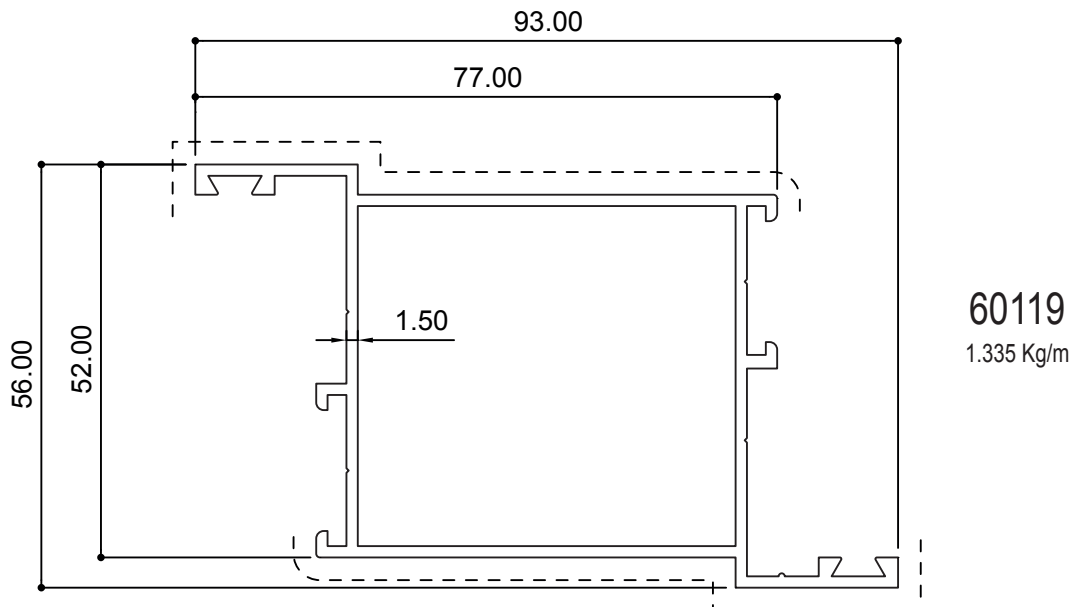
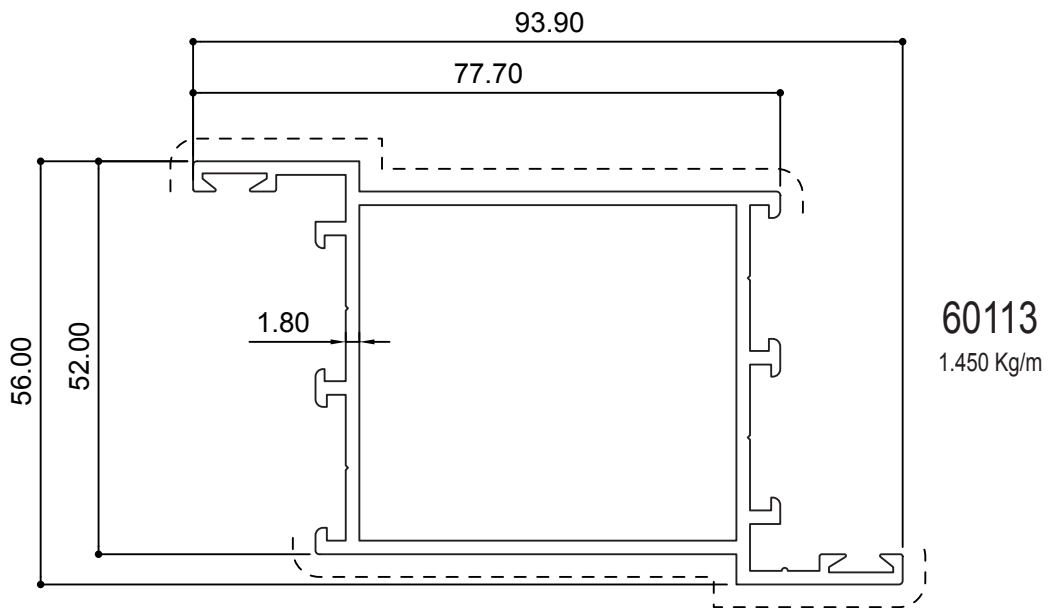
* For export, not recommended for GCC usage

Sash Profiles - 45 mm



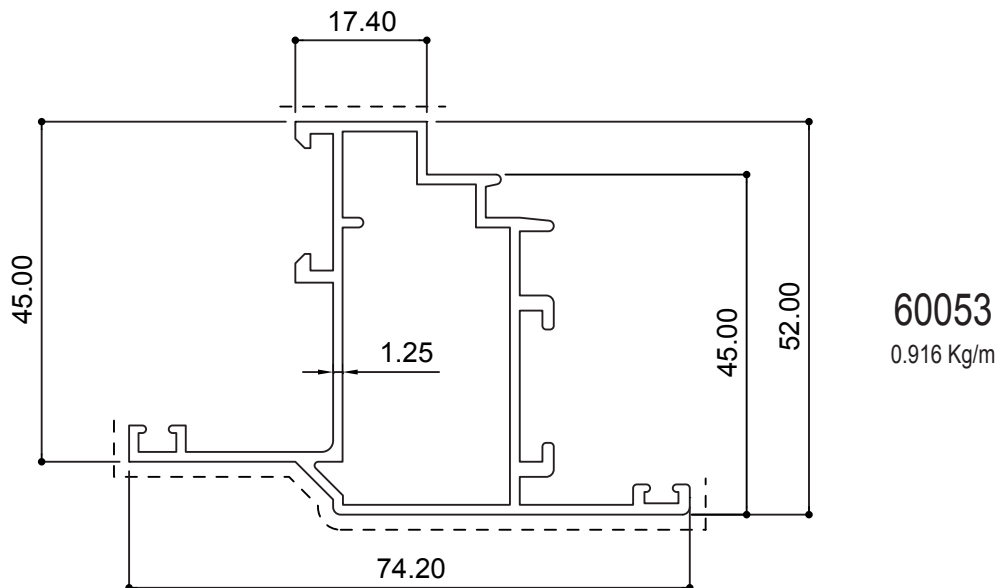
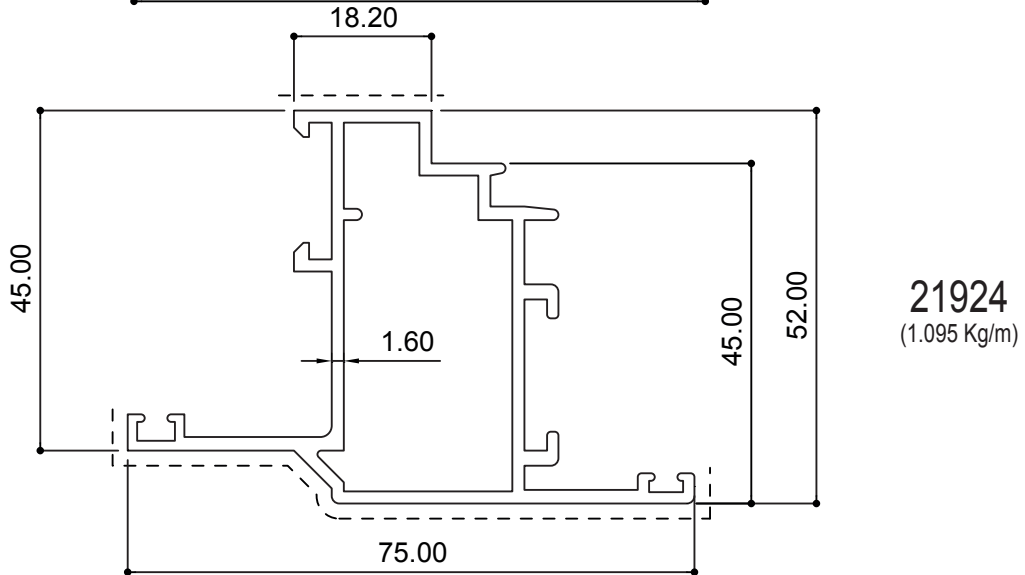
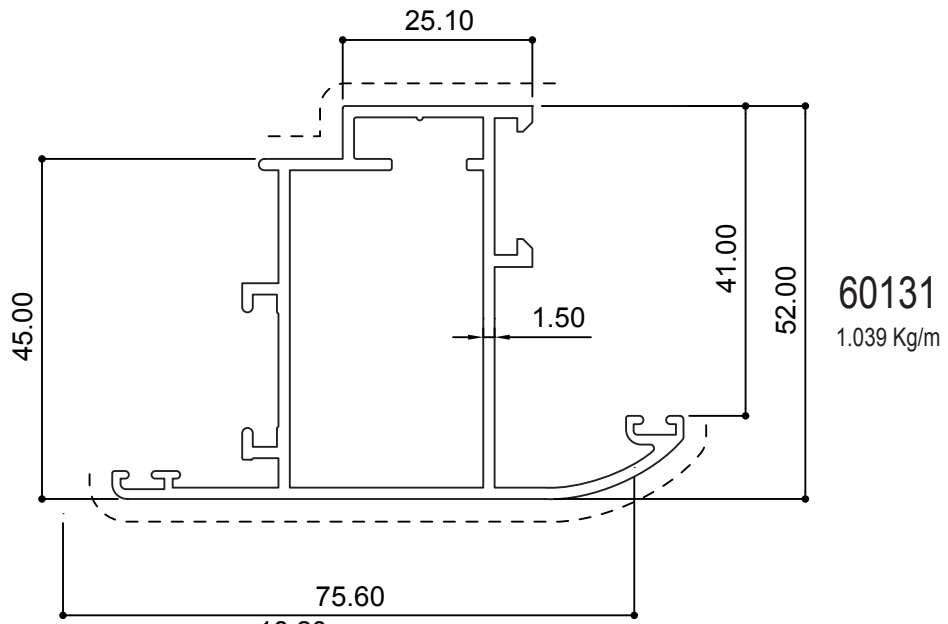
* For export, not recommended for GCC usage

Sash Profiles - 45 mm



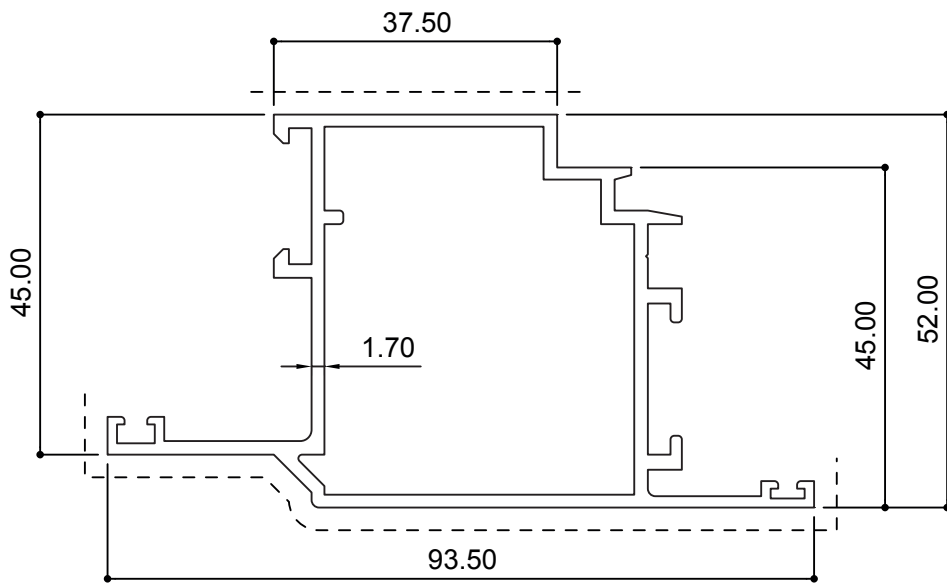
* For export, not recommended for GCC usage

Sash Profiles - 45 mm

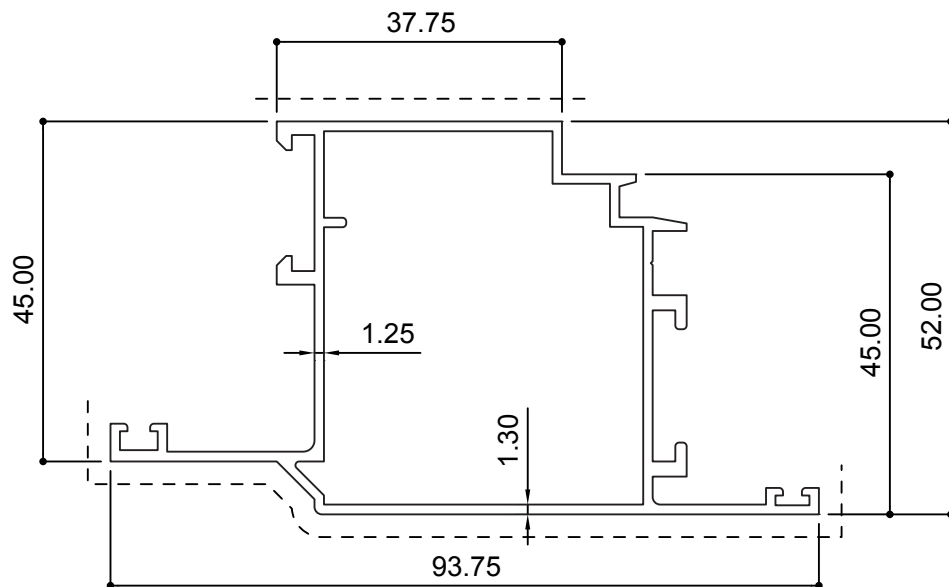


* For export, not recommended for GCC usage

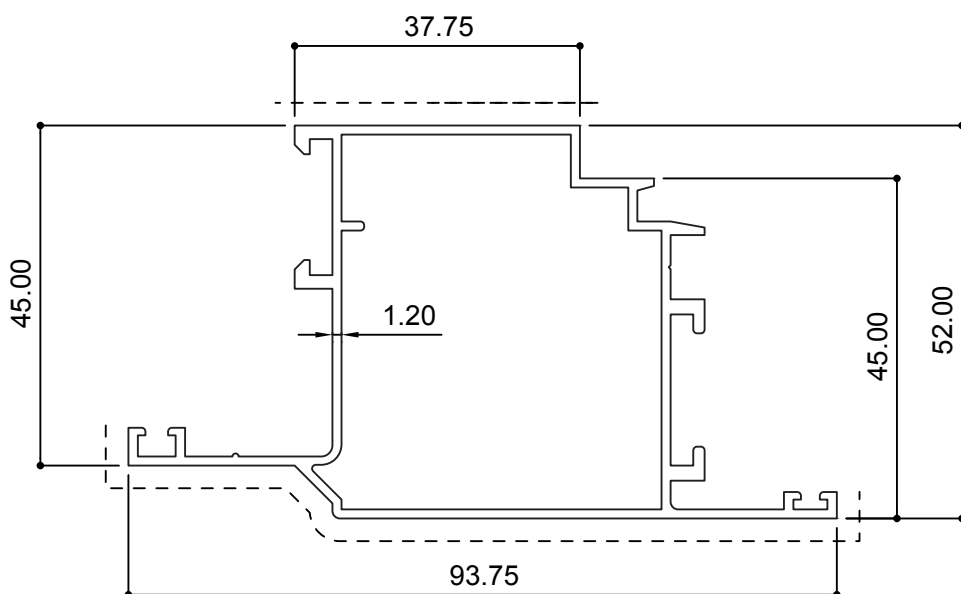
Sash Profiles - 45 mm



21865
(1.300 Kg/m)



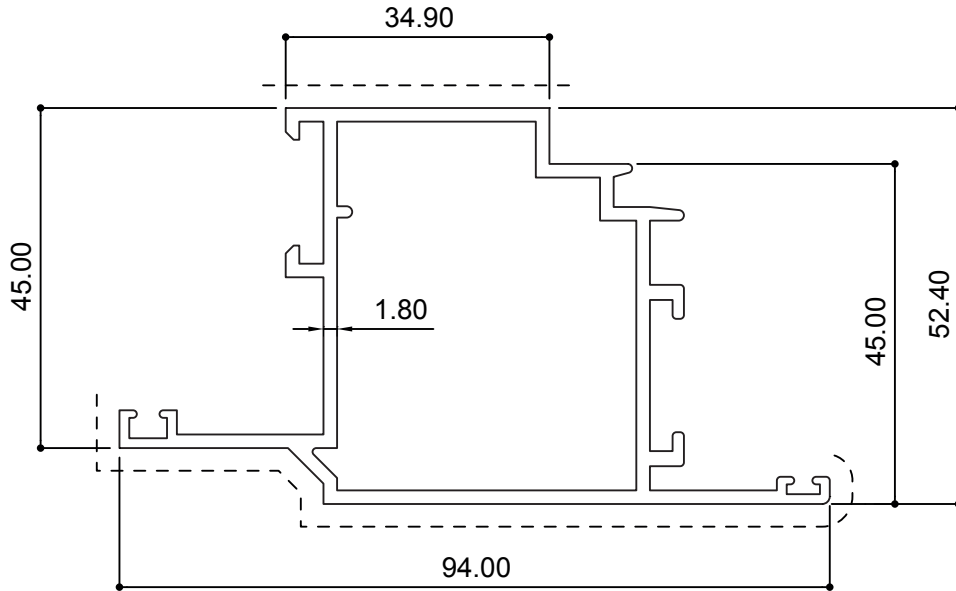
60052
(1.047 Kg/m)



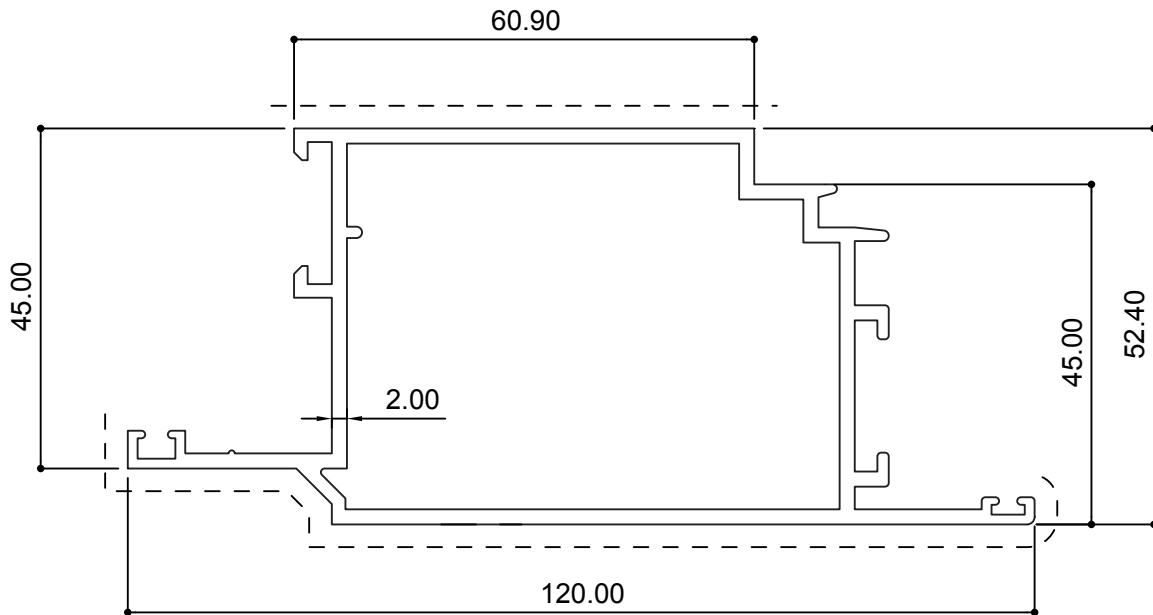
60188
(0.994 Kg/m)

* For export, not recommended for GCC usage

Sash Profiles - 45 mm



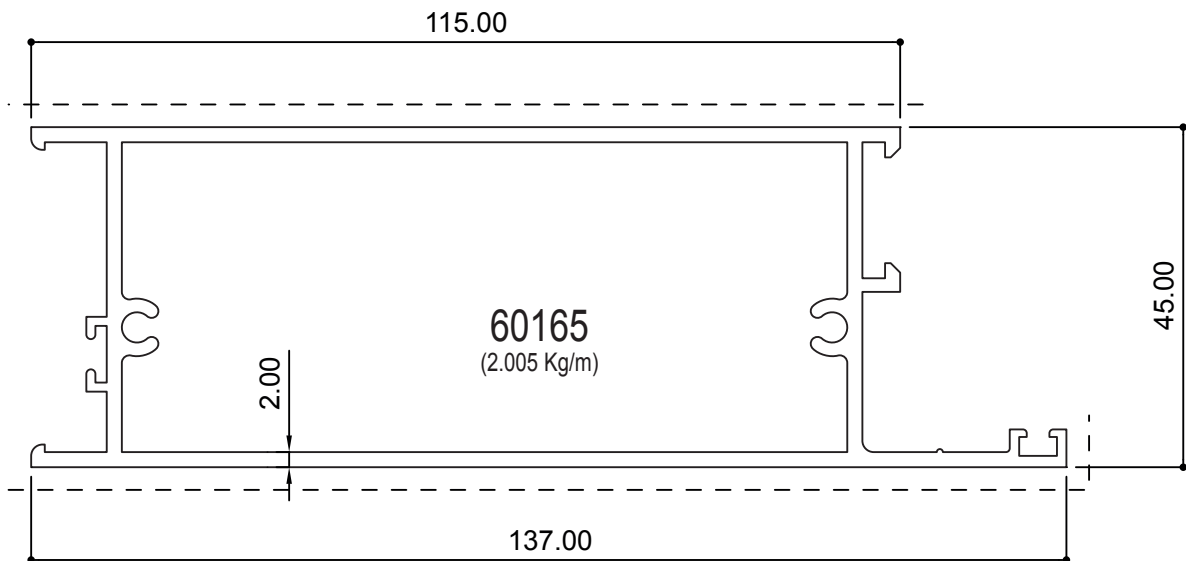
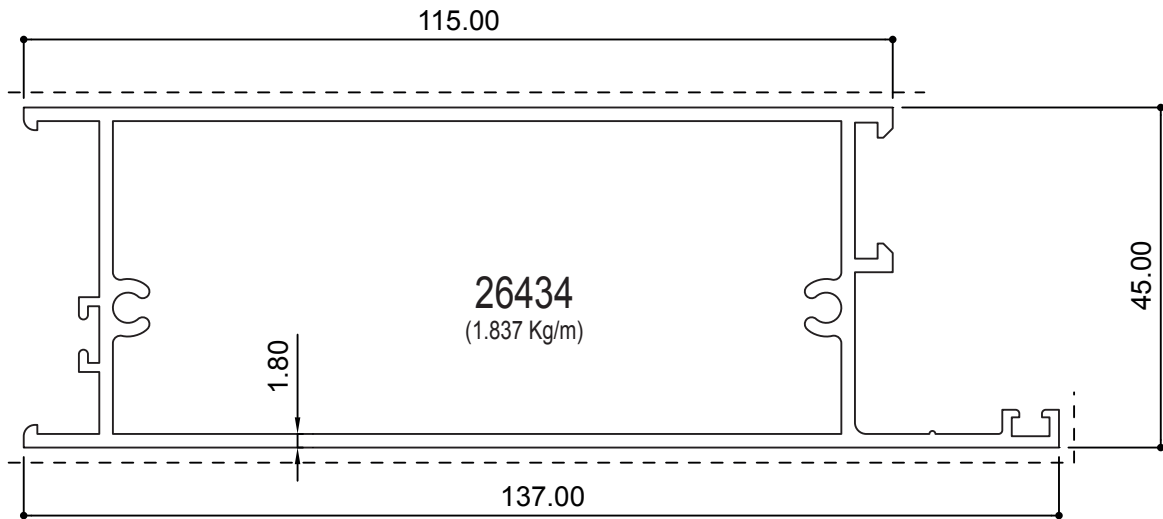
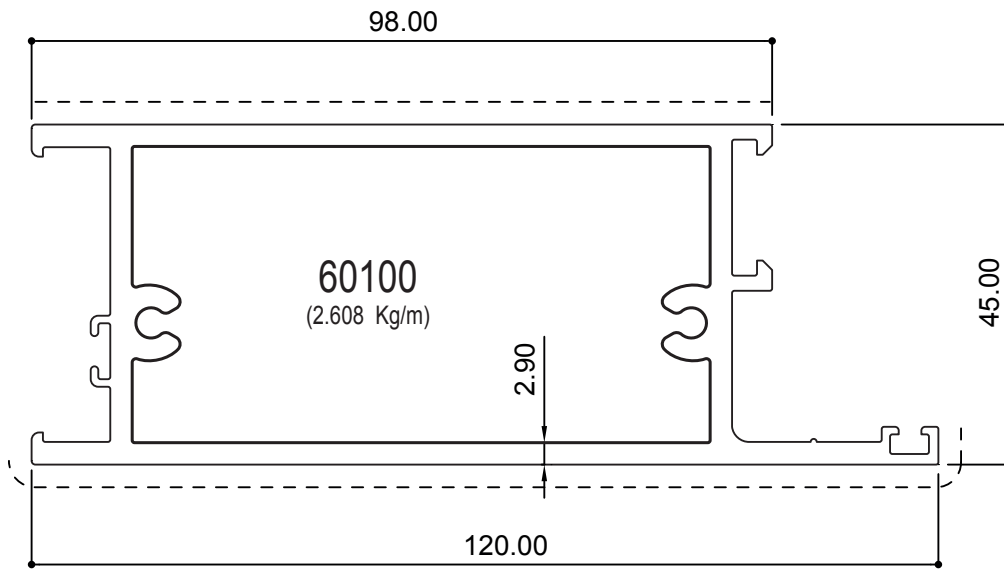
24488
(1.354 Kg/m)



60166
(1.747 Kg/m)

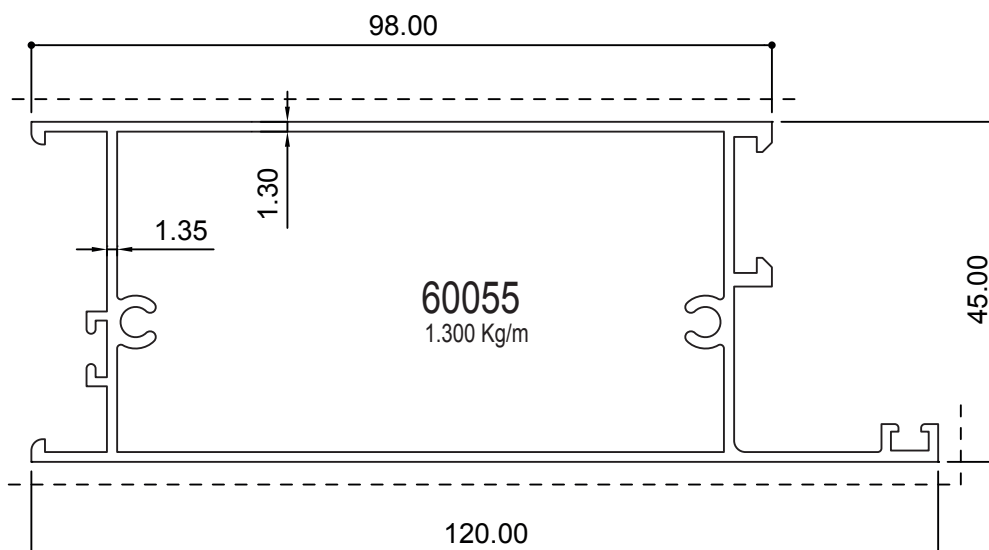
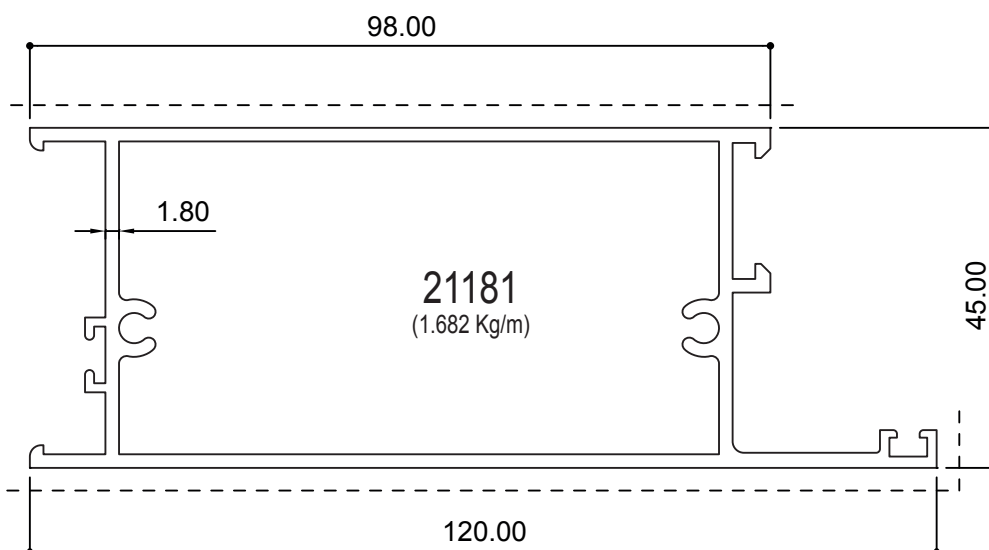
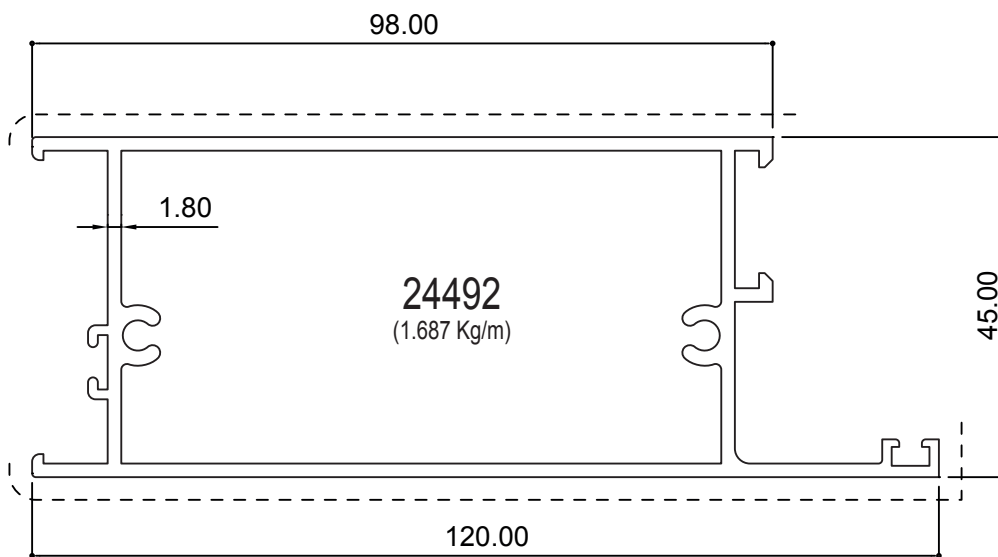
* For export, not recommended for GCC usage

Bottom Profiles - 45 mm



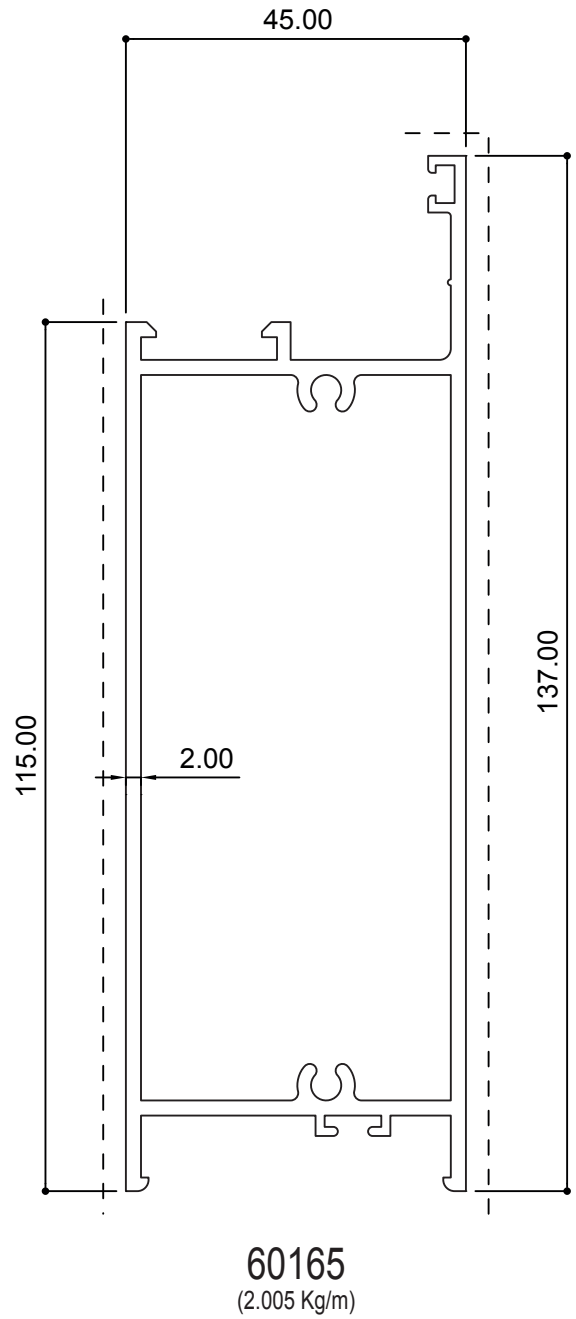
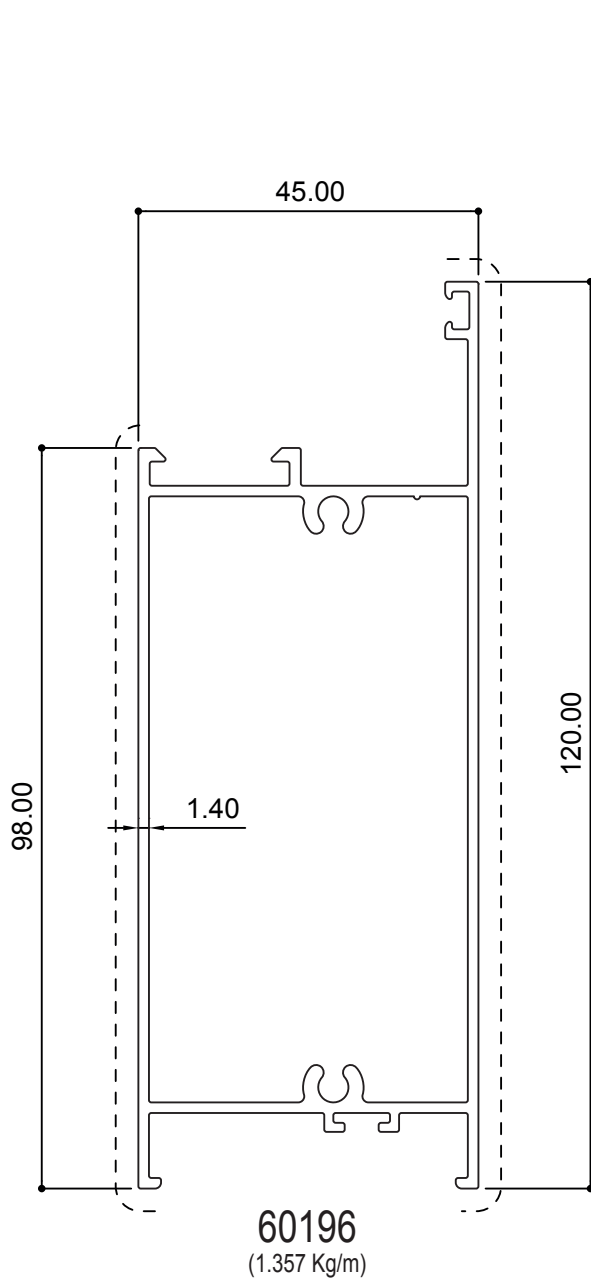
* For export, not recommended for GCC usage

Bottom Profiles - 45 mm



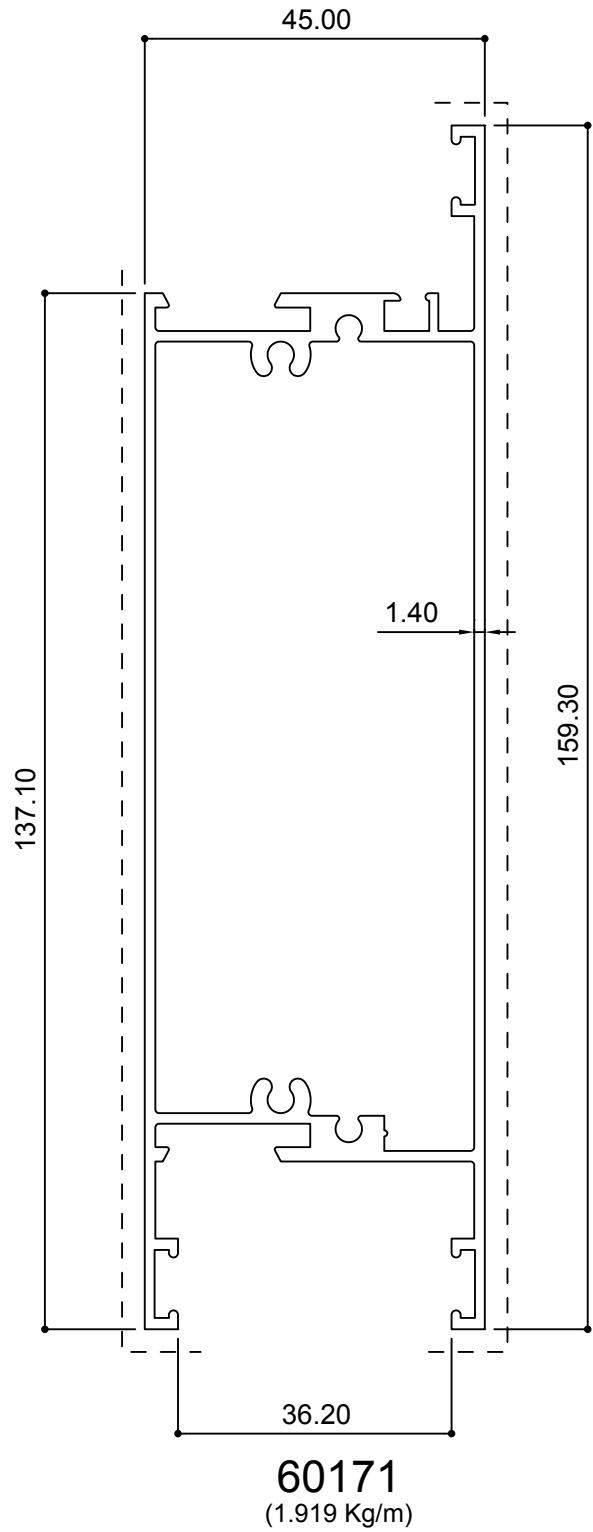
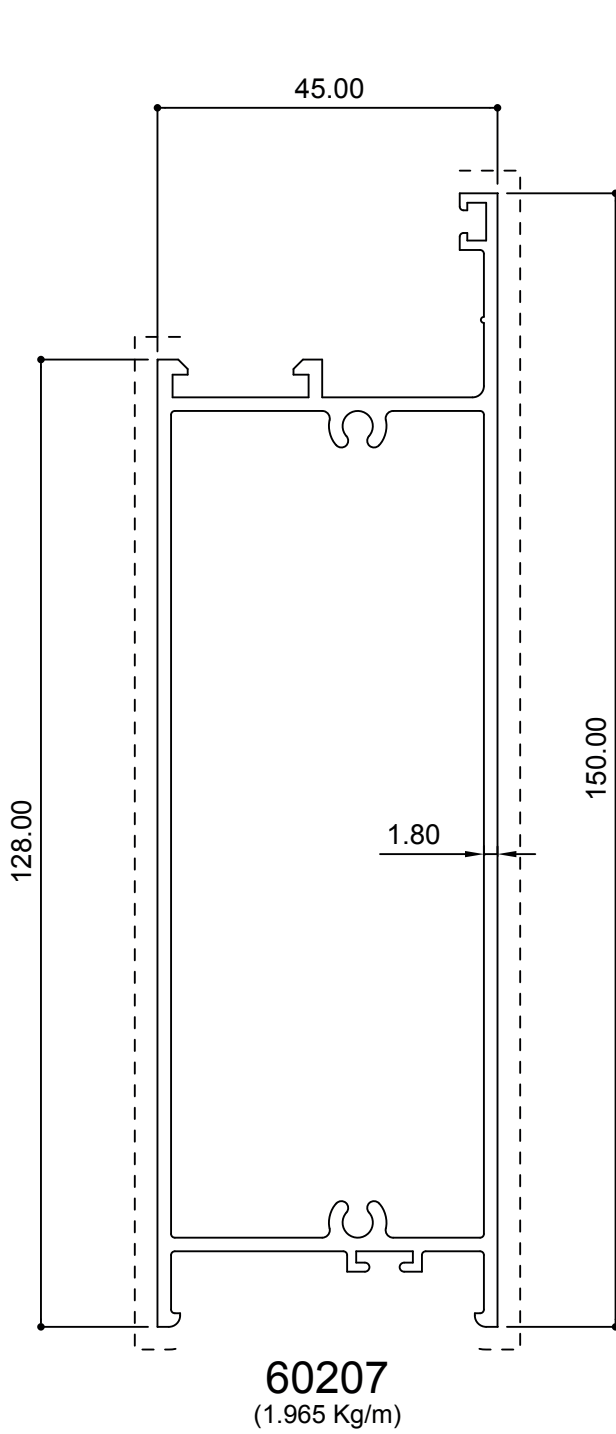
* For export, not recommended for GCC usage

Bottom Profiles - 45 mm



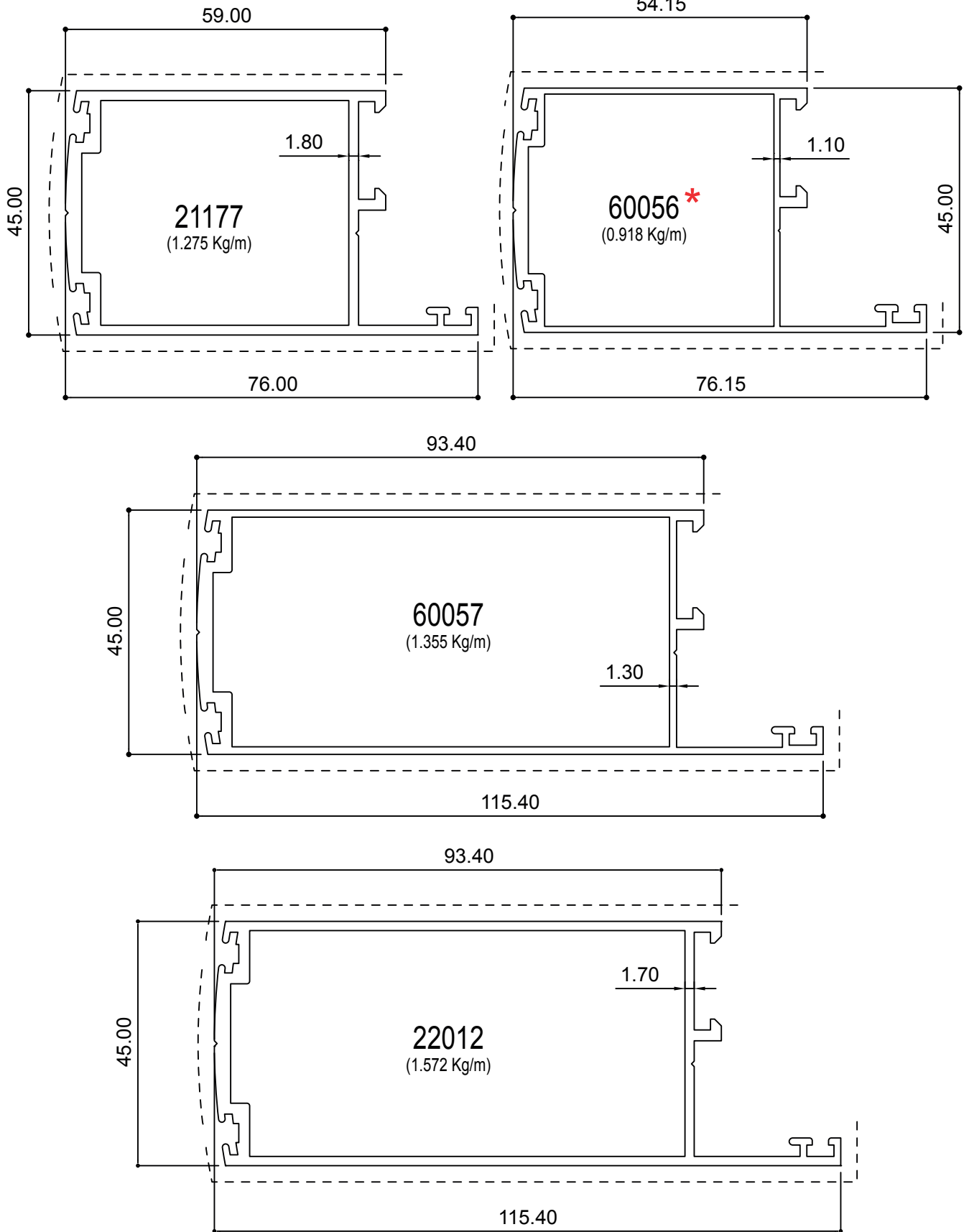
* For export, not recommended for GCC usage

Bottom Profiles - 45 mm



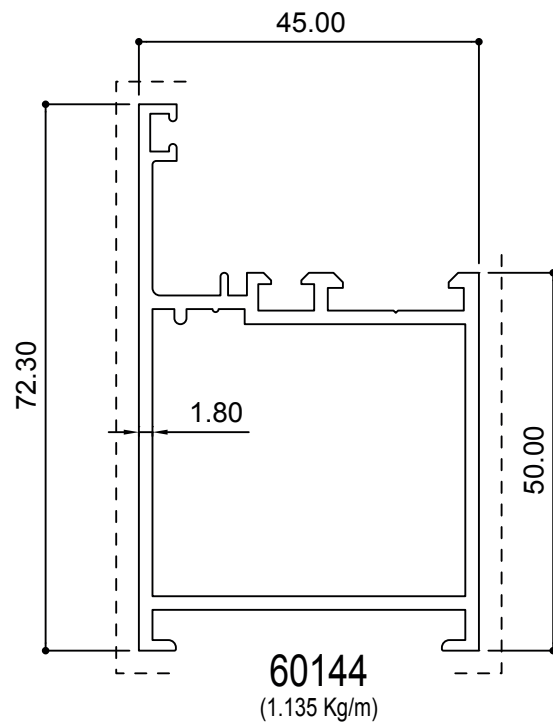
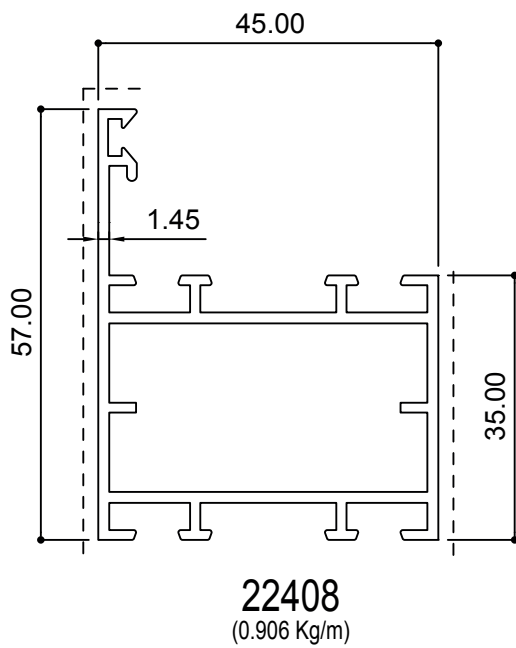
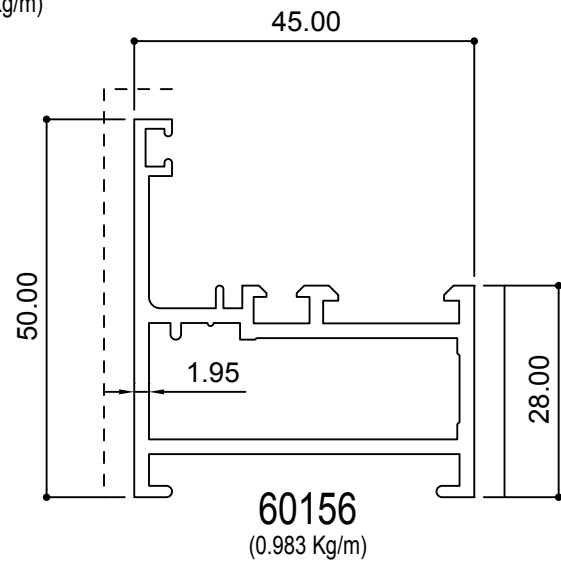
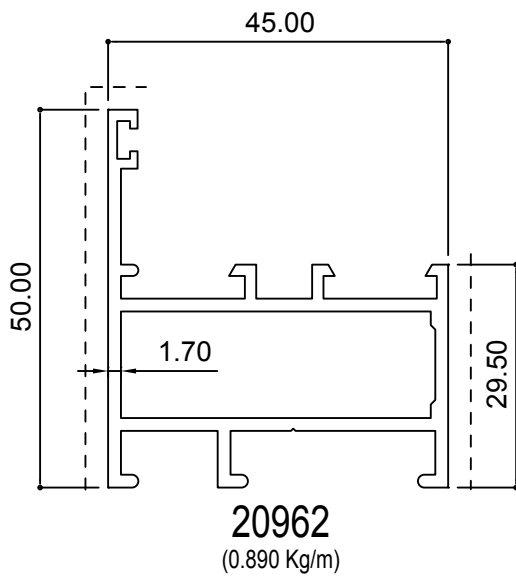
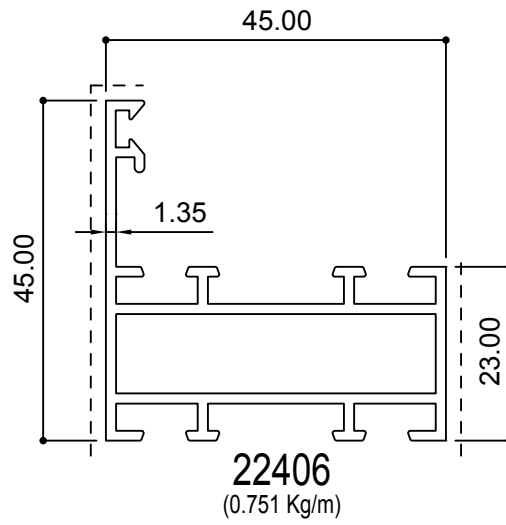
* For export, not recommended for GCC usage

Swing Profiles - 45 mm



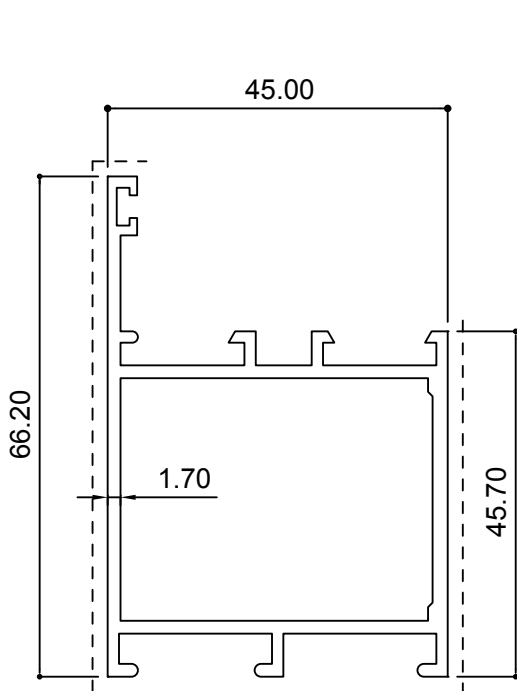
* For export, not recommended for GCC usage

Frame Profiles - 45 mm

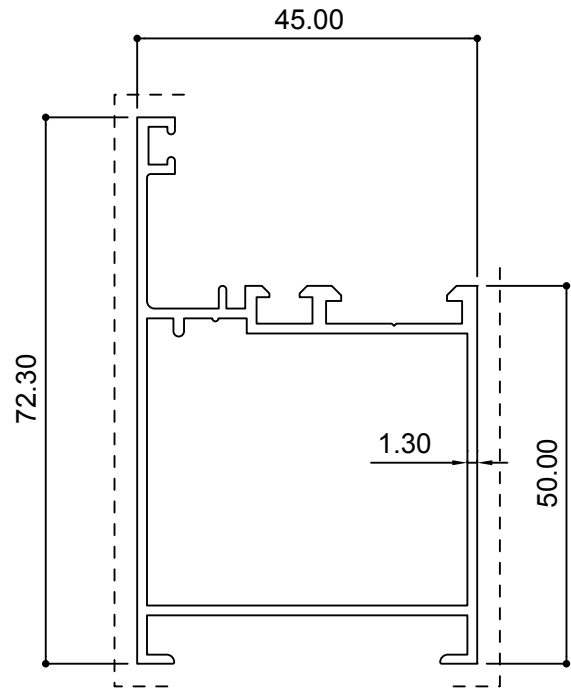


* For export, not recommended for GCC usage

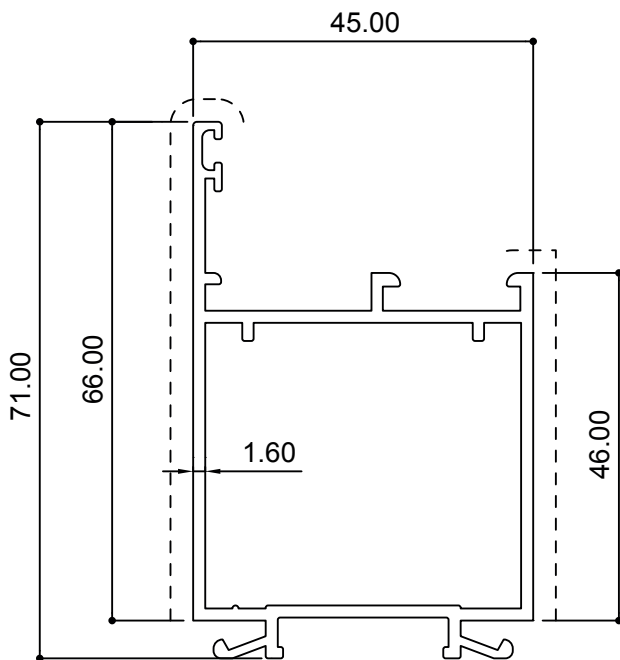
Frame Profiles - 45 mm



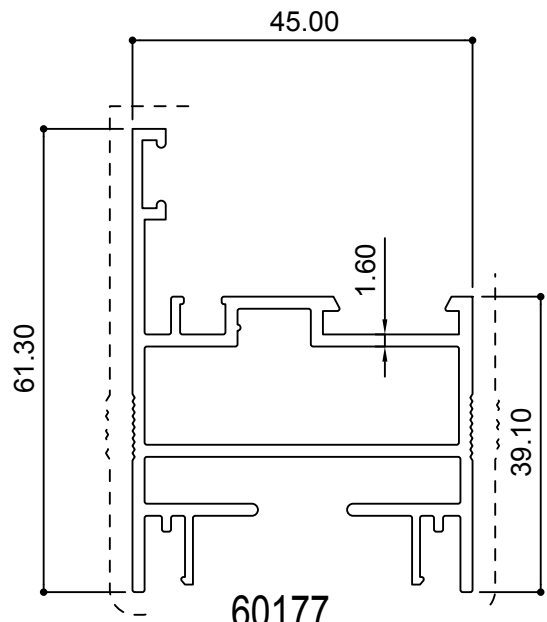
20963
(1.050 Kg/m)



60145
(0.880 Kg/m)



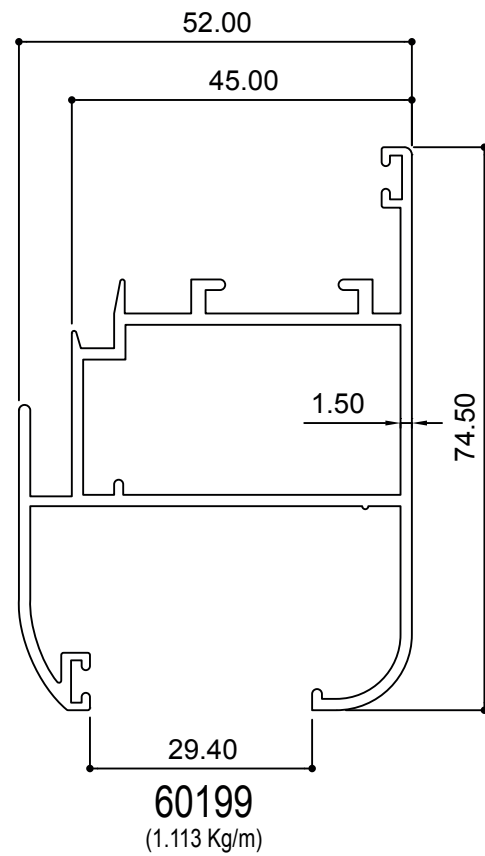
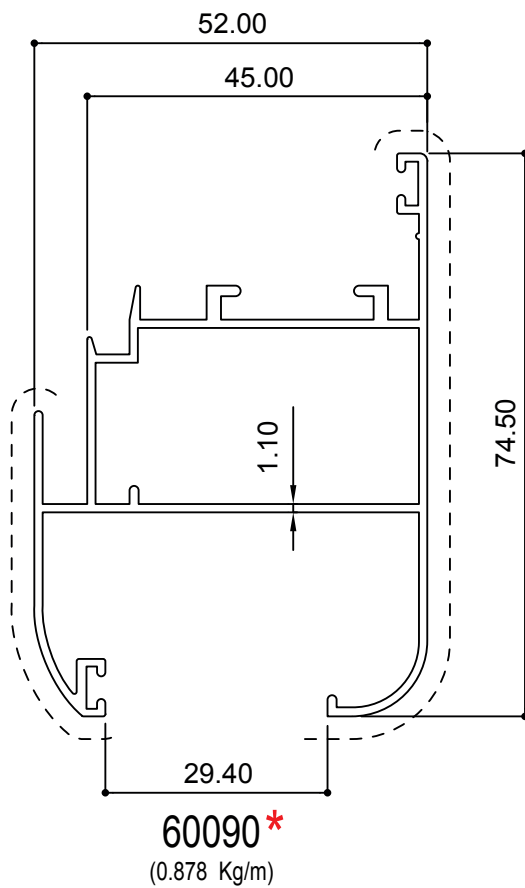
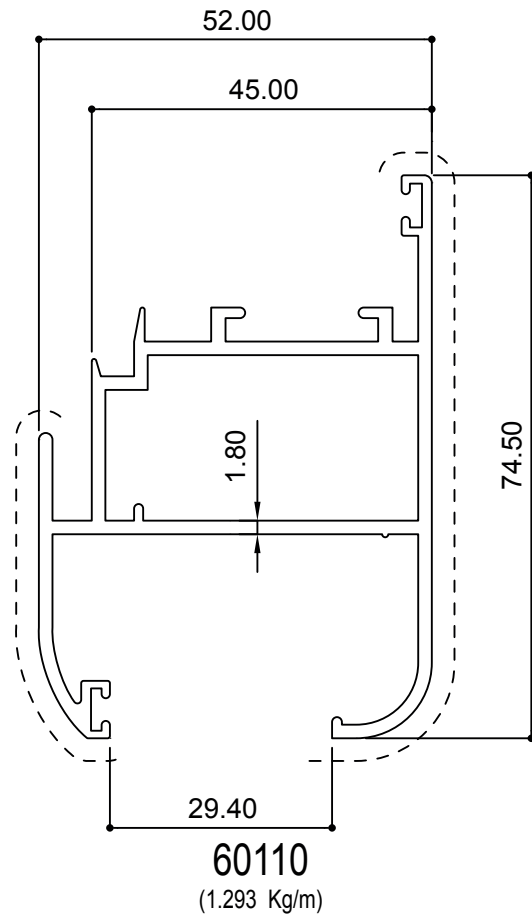
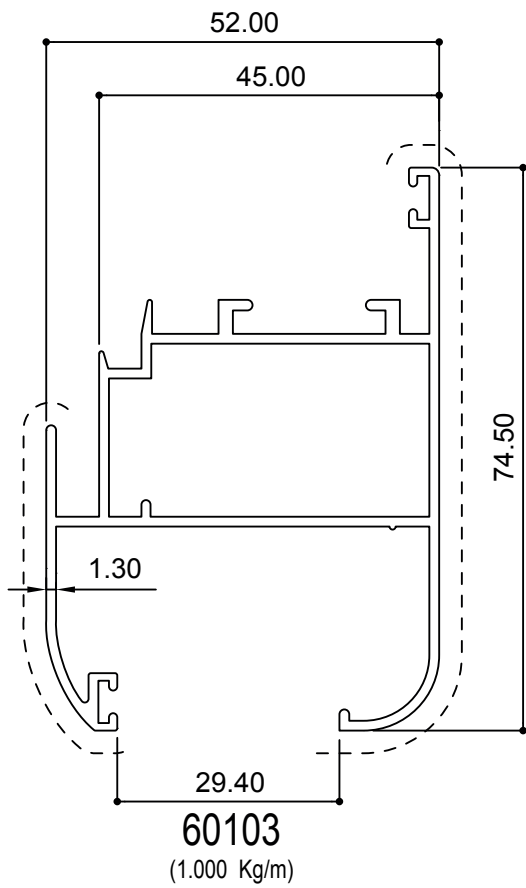
60129
(1.037 Kg/m)



60177
(1.094 Kg/m)

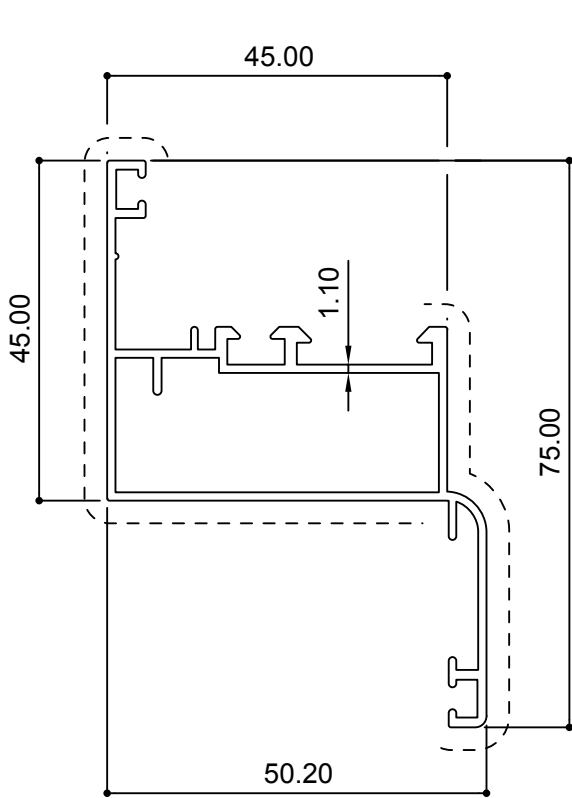
* For export, not recommended for GCC usage

Sash Profiles - 45 mm

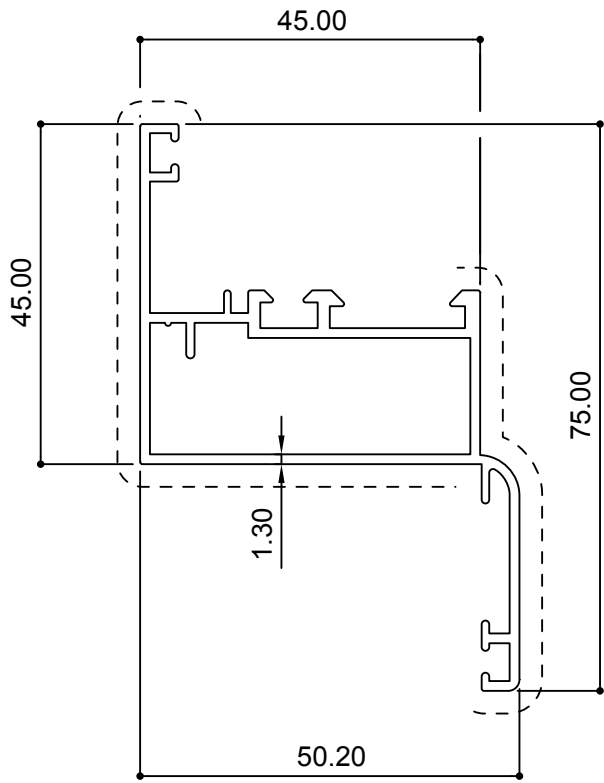


* For export, not recommended for GCC usage

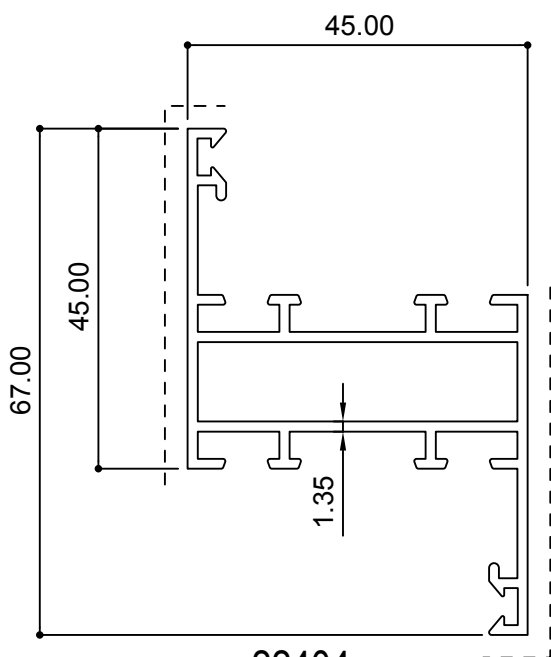
Frame Profiles - 45 mm



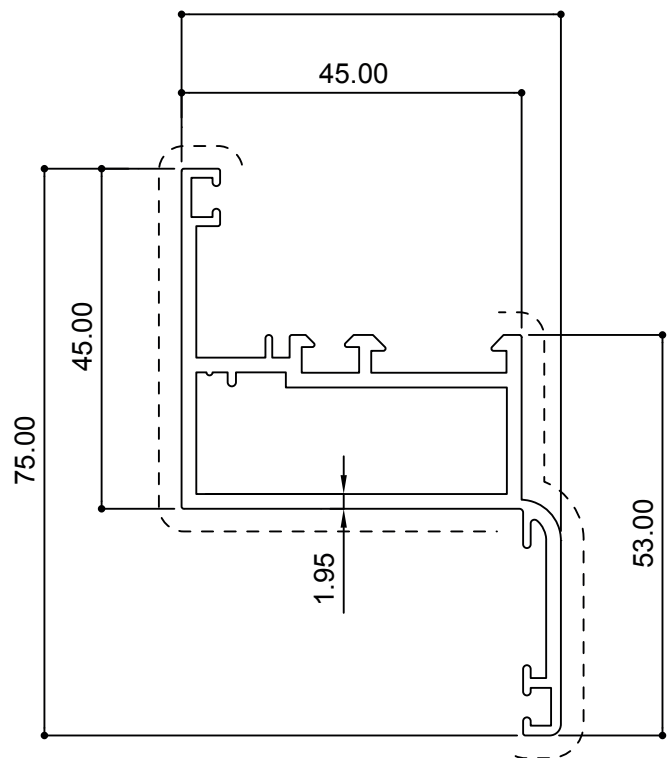
60089*
(0.738 Kg/m)



60104
(0.830 Kg/m)



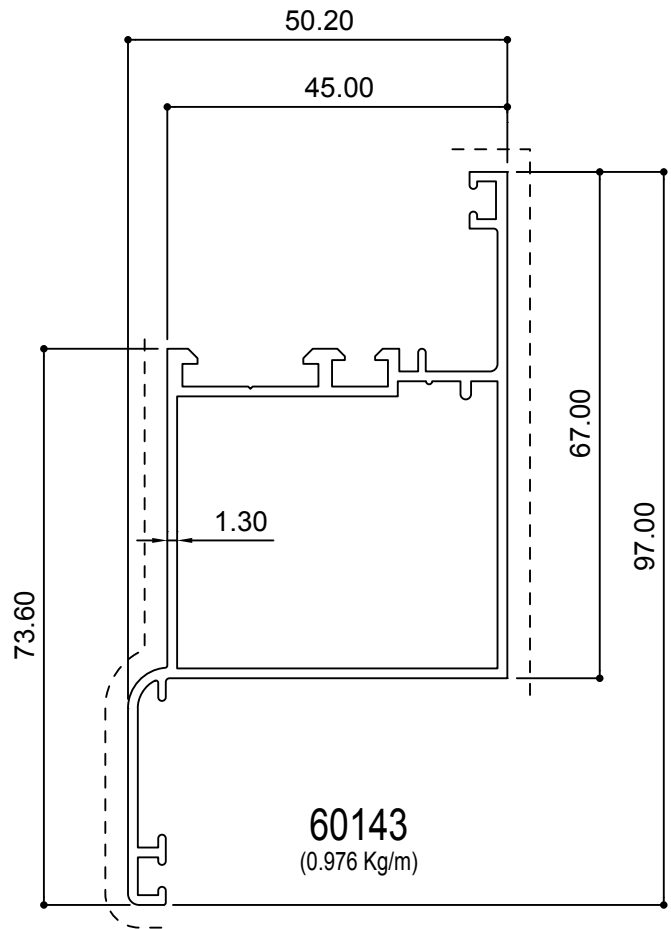
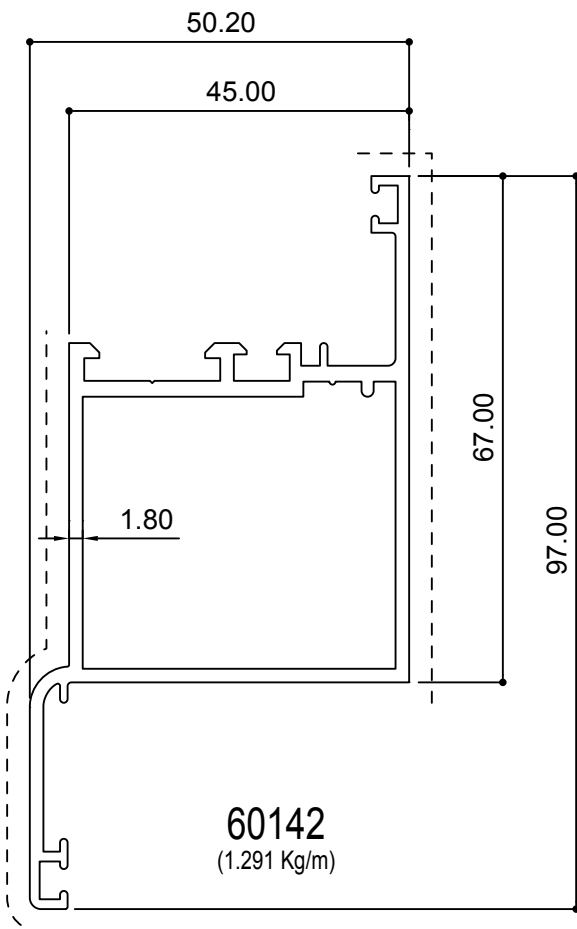
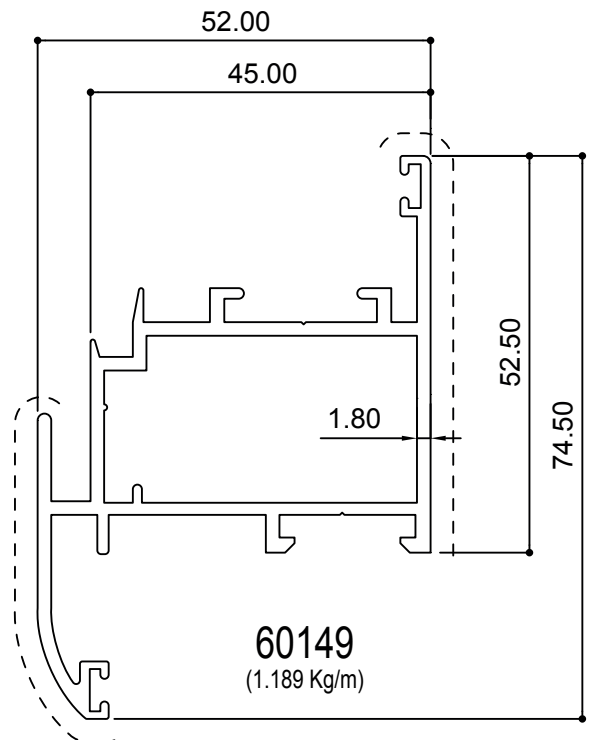
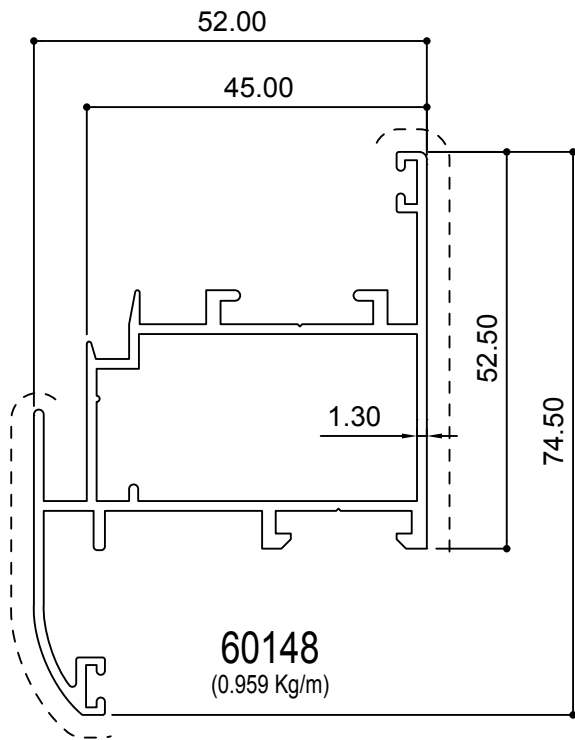
22404
(0.866 Kg/m)



60109
(1.096 Kg/m)

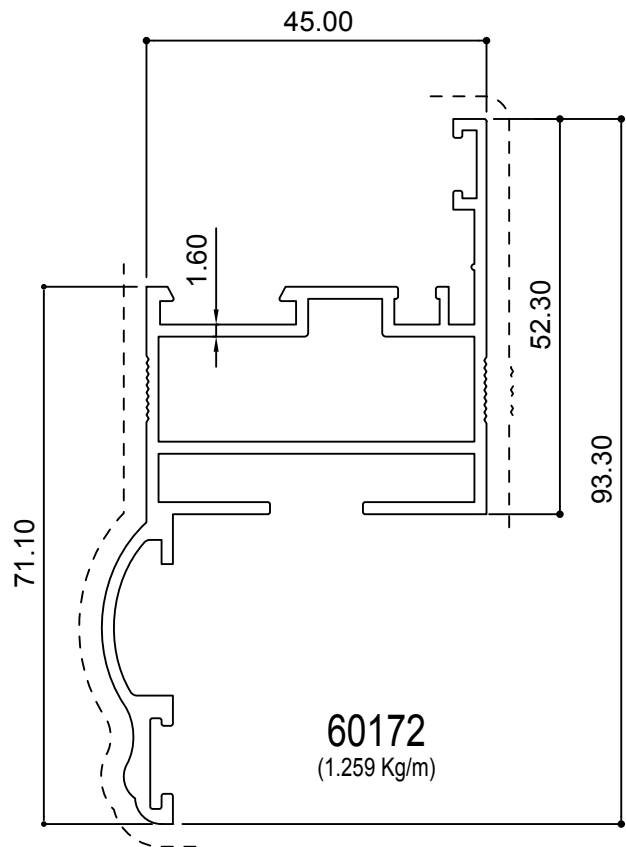
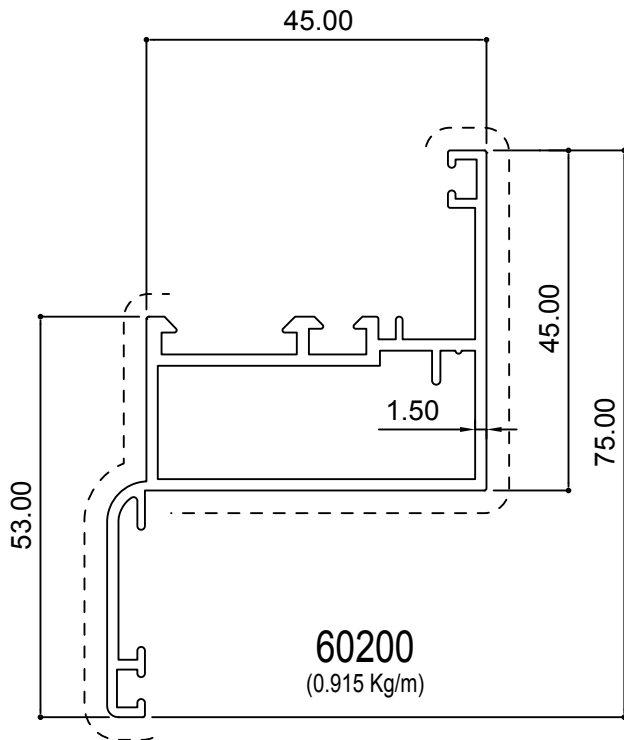
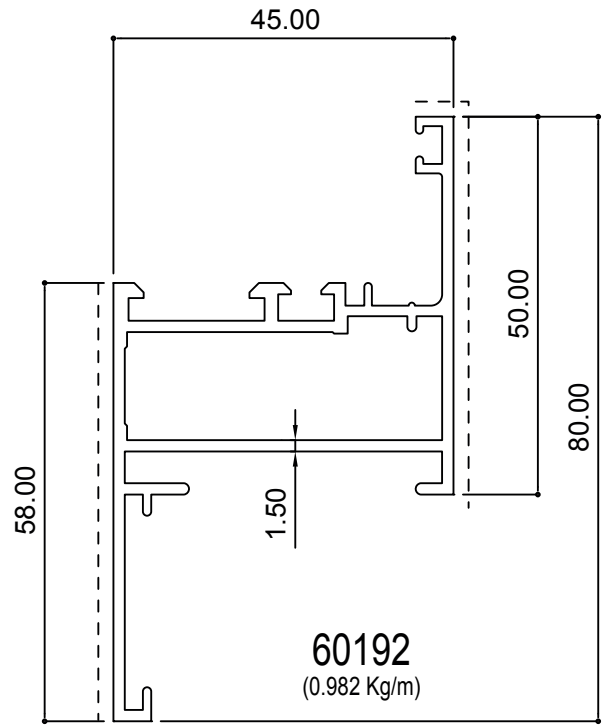
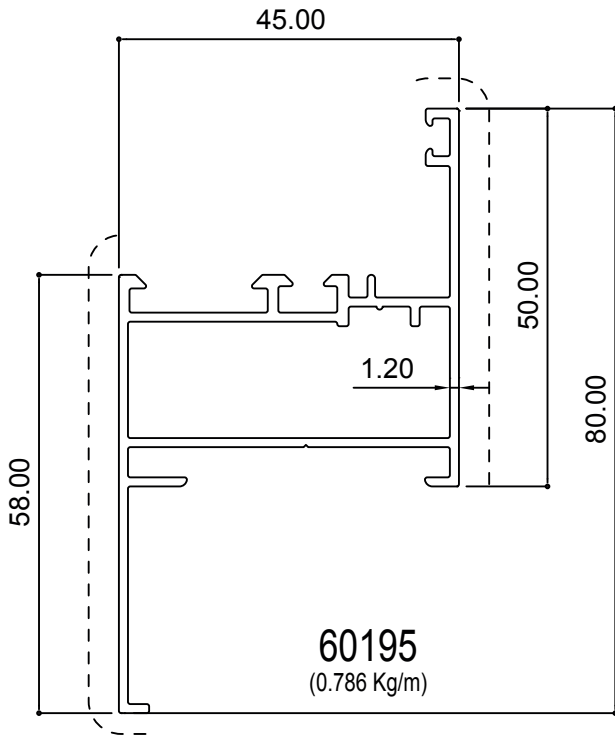
* For export, not recommended for GCC usage

Frame Profiles - 45 mm



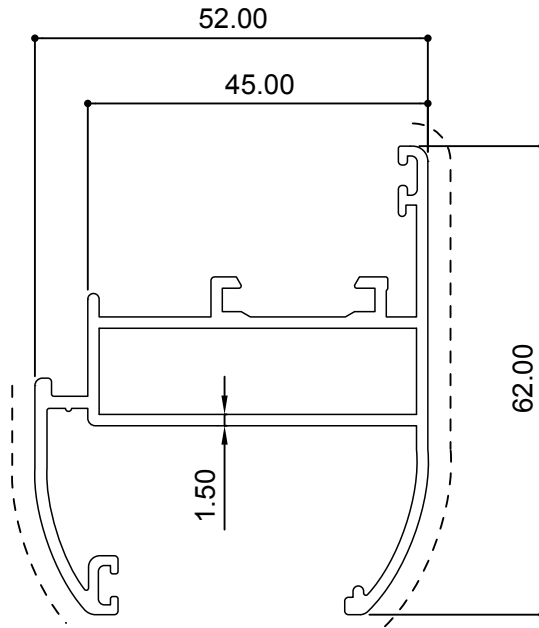
* For export, not recommended for GCC usage

Frame Profiles - 45 mm

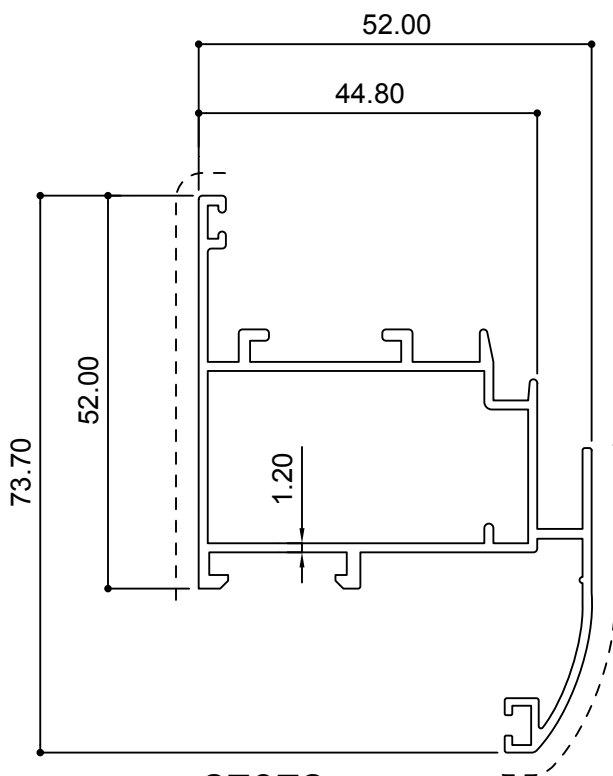


* For export, not recommended for GCC usage

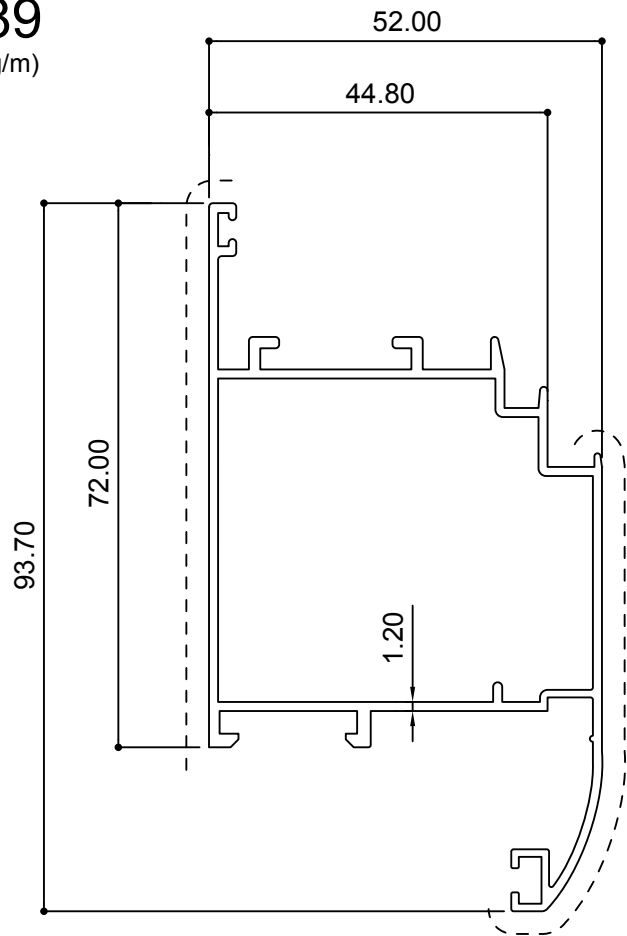
Frame Profiles - 45 mm



60189
(0.999 Kg/m)



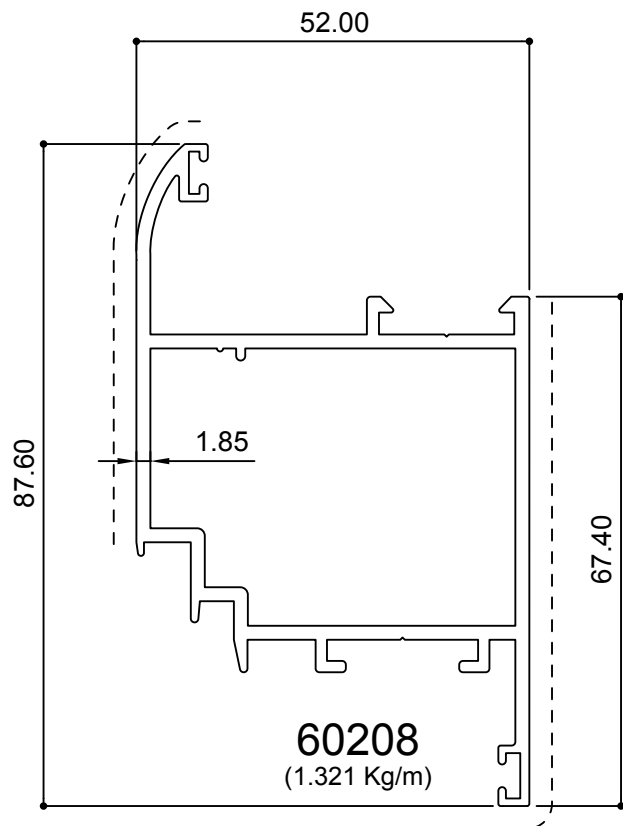
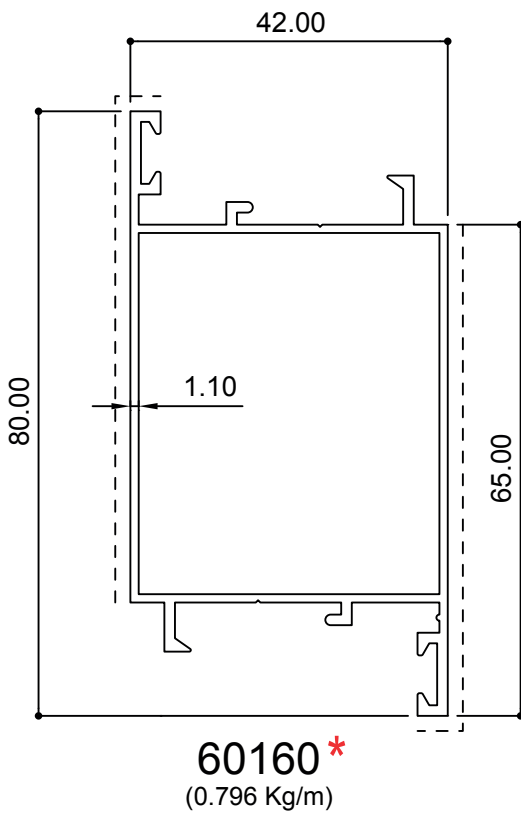
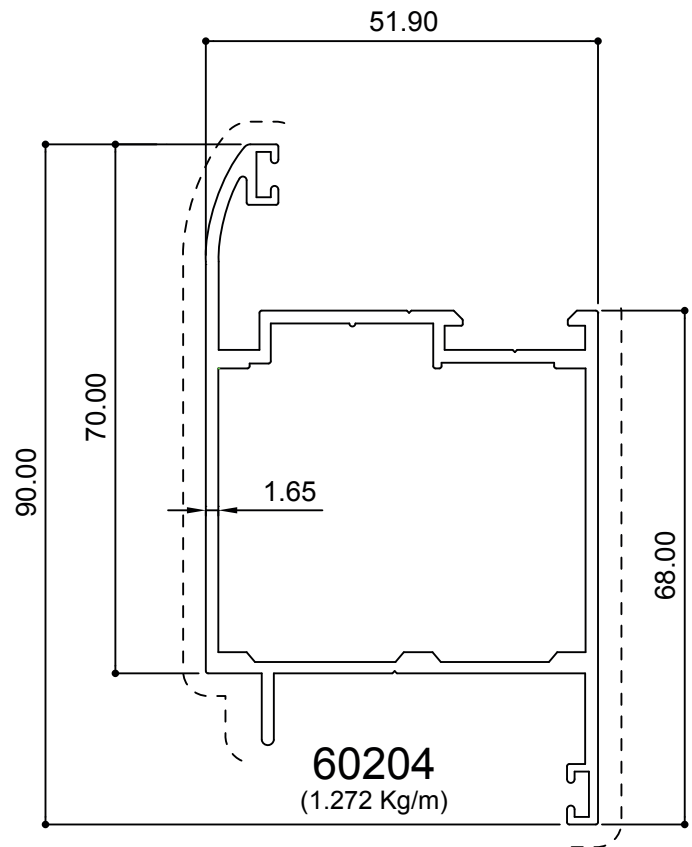
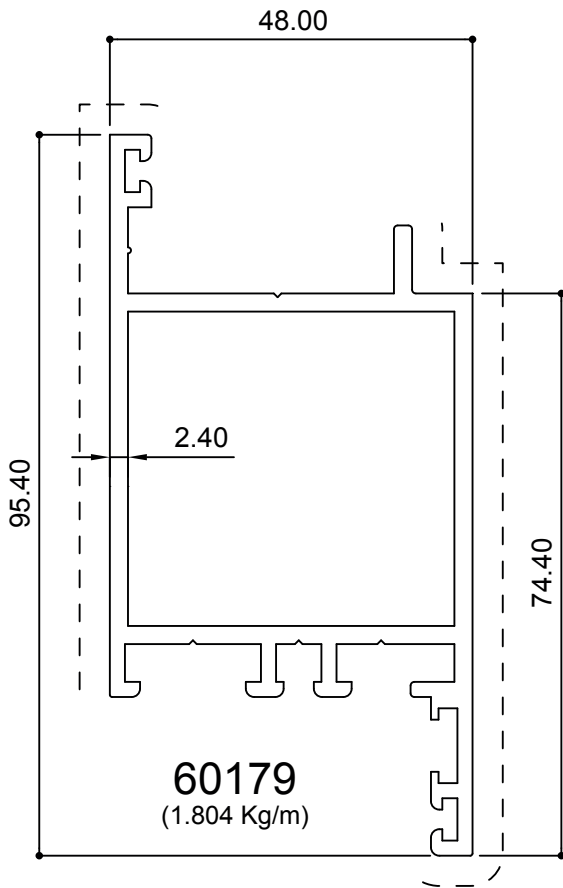
27072
(0.870 Kg/m)



27070
(0.991 Kg/m)

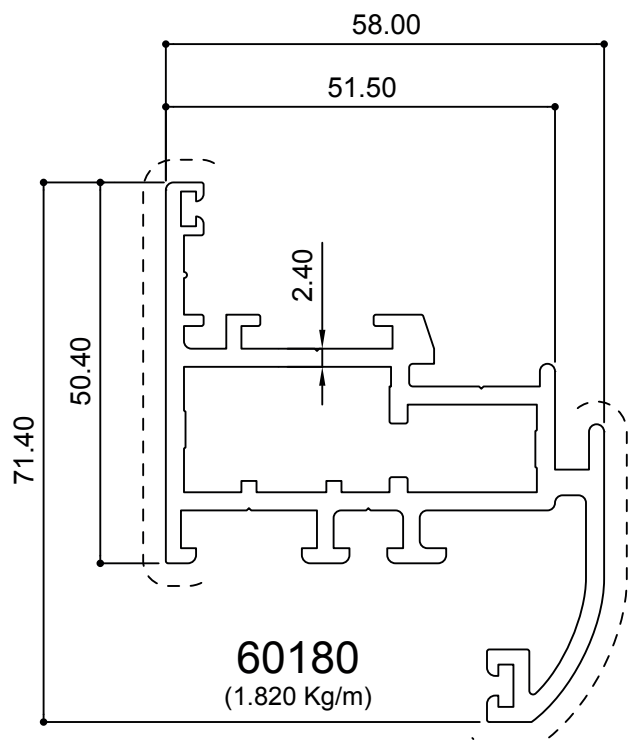
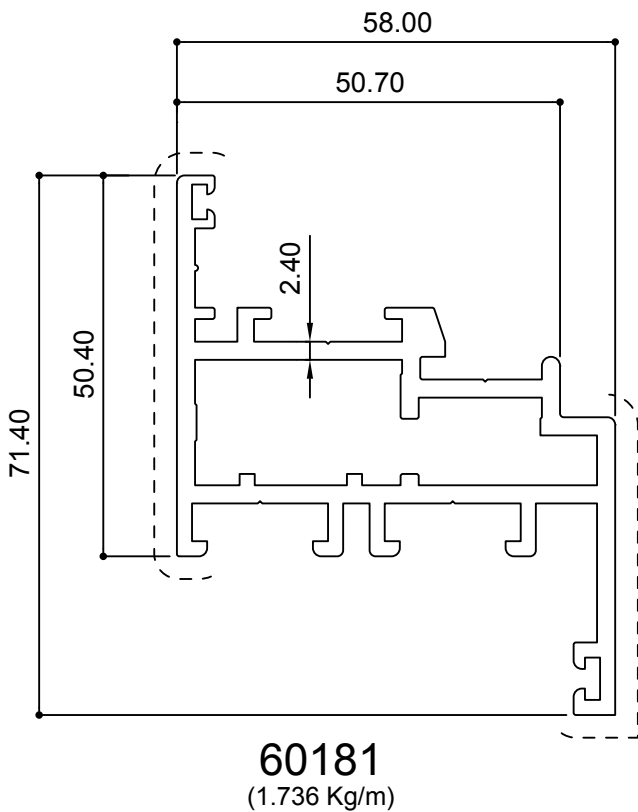
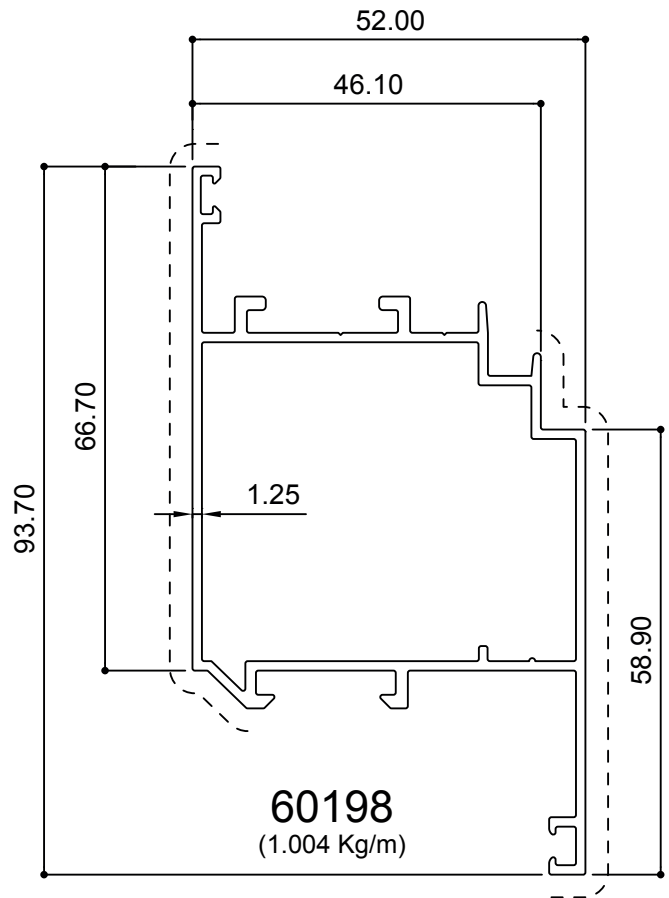
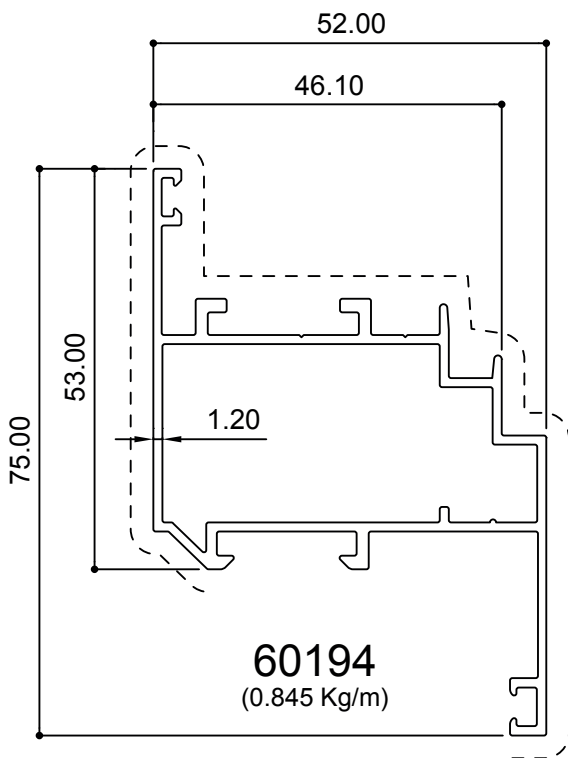
* For export, not recommended for GCC usage

Sash Profiles



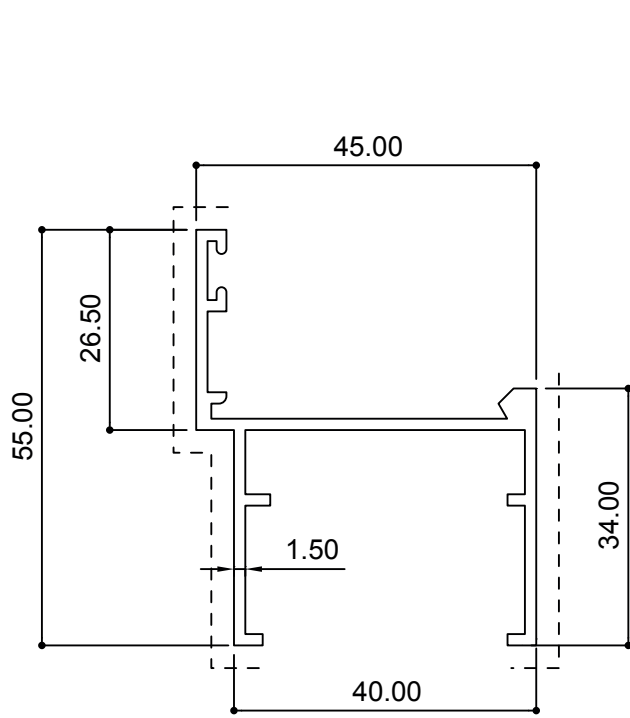
* For export, not recommended for GCC usage

Sash Profiles

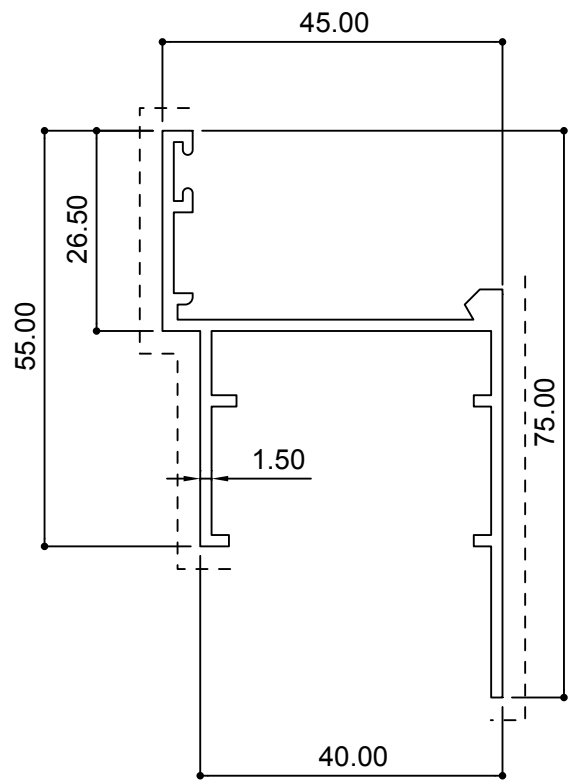


* For export, not recommended for GCC usage

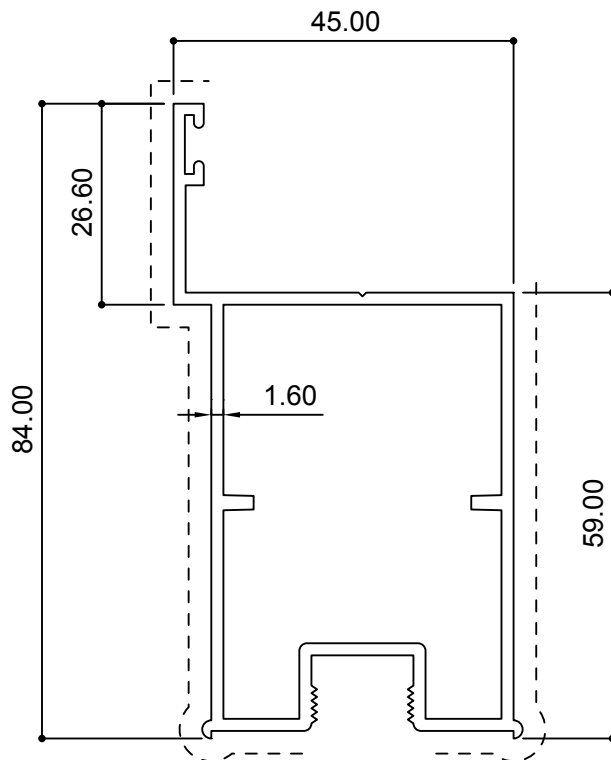
Frame Profiles - 45 mm



10172
(0.675 Kg/m)



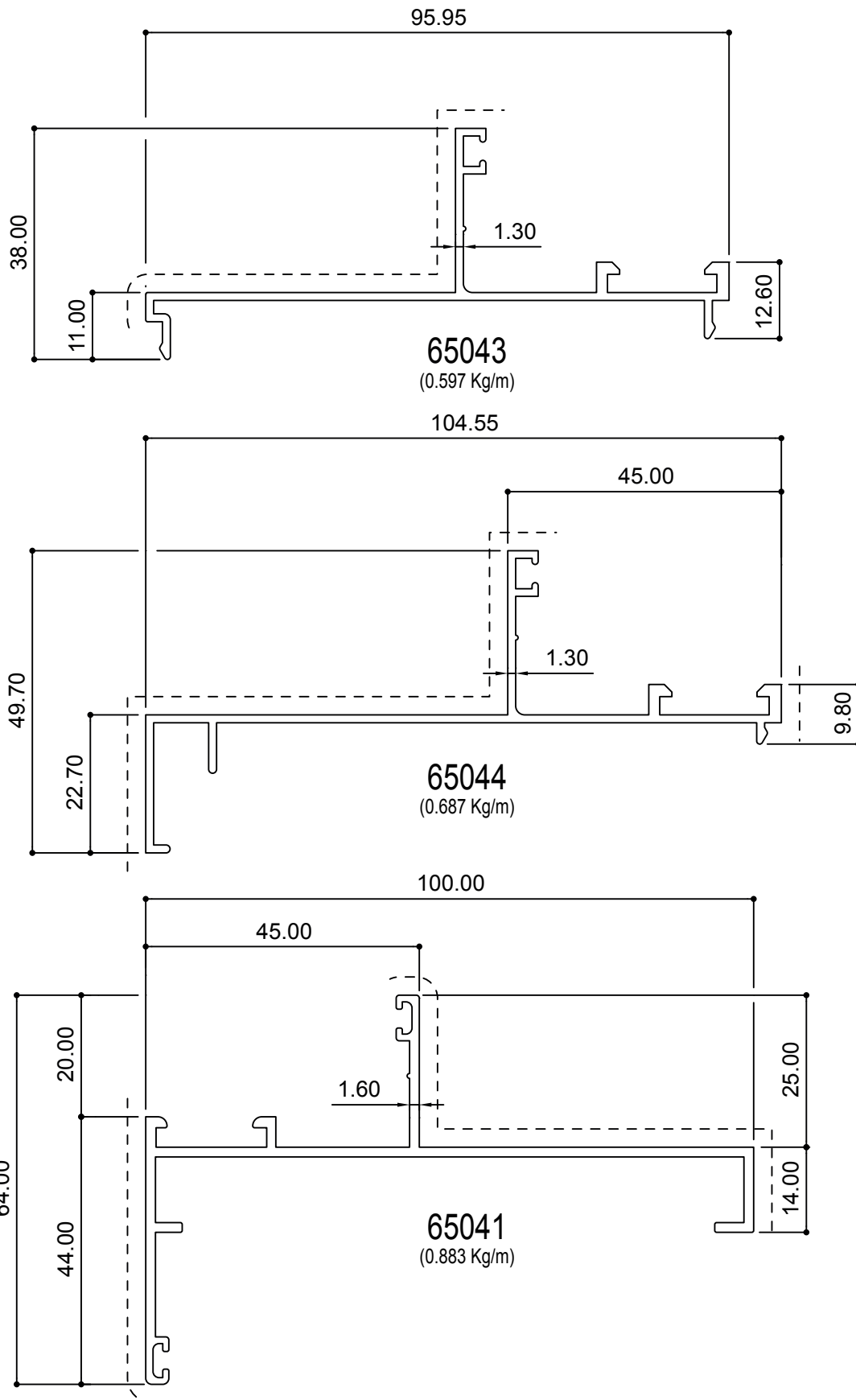
10171
(0.756 Kg/m)



20401
(1.104 Kg/m)

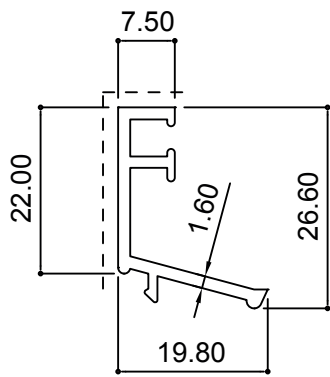
* For export, not recommended for GCC usage

Frame Profiles - 45 mm

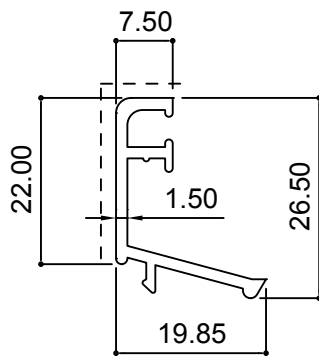


* For export, not recommended for GCC usage

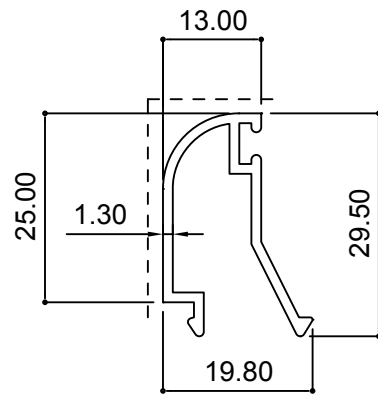
Beadings



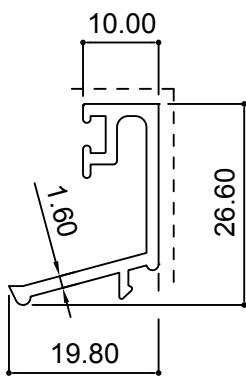
14366
(0.248 Kg/m)



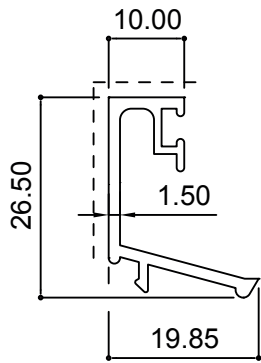
14970
(0.240 Kg/m)



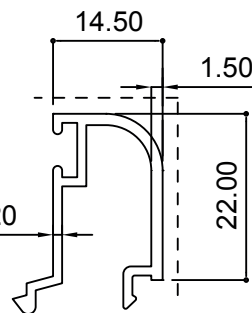
11975
(0.273 Kg/m)



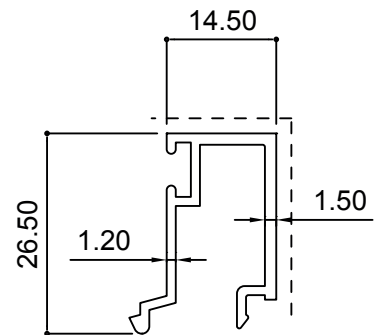
14367
(0.275 Kg/m)



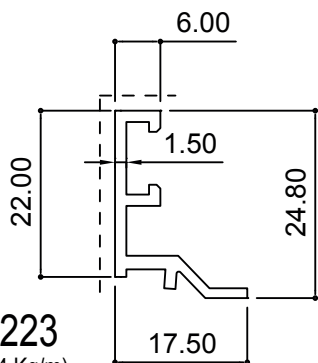
11217
(0.254 Kg/m)



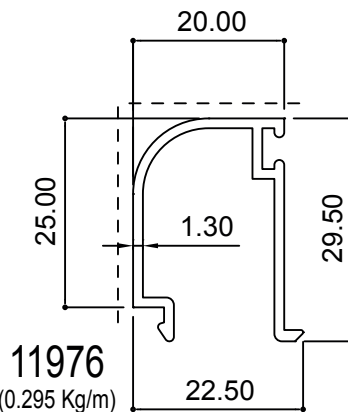
12214
(0.269 Kg/m)



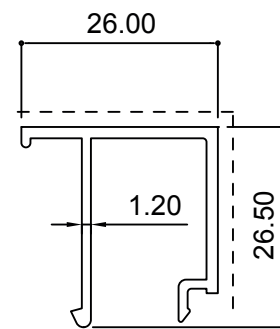
11219
(0.280 Kg/m)



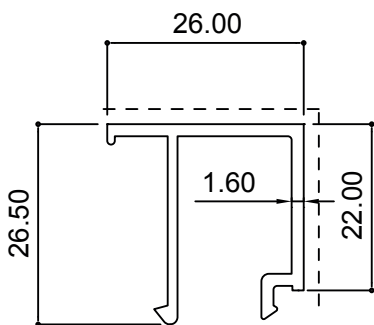
10223
(0.214 Kg/m)



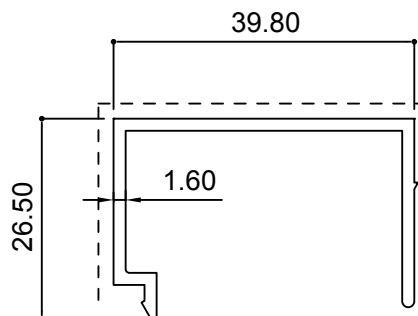
11976
(0.295 Kg/m)



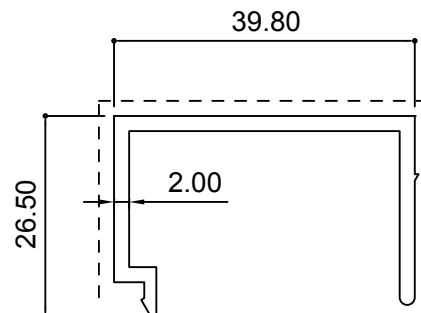
11218
(0.306 Kg/m)



14369
(0.332 Kg/m)



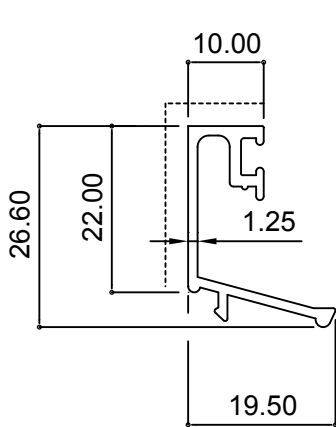
14368
(0.397 Kg/m)



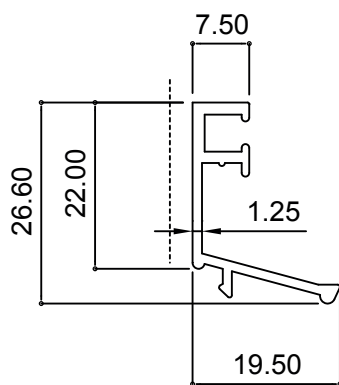
11224
(0.484 Kg/m)

* For export, not recommended for GCC usage

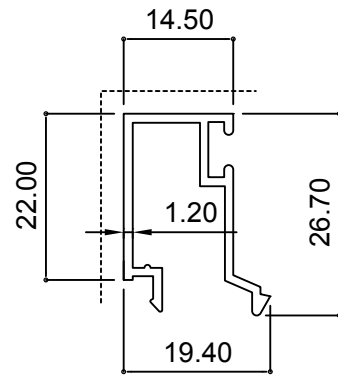
Beadings



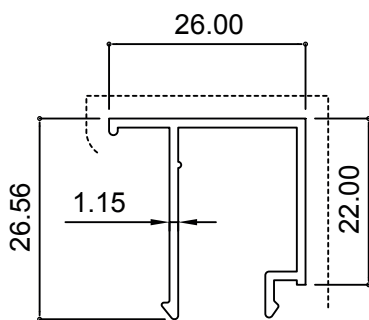
65065
(0.239 Kg/m)



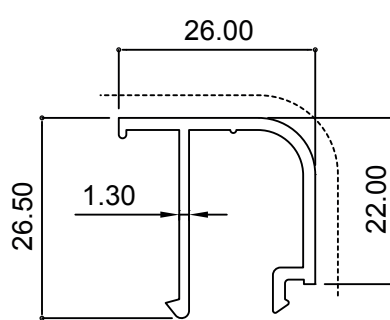
65064
(0.221 Kg/m)



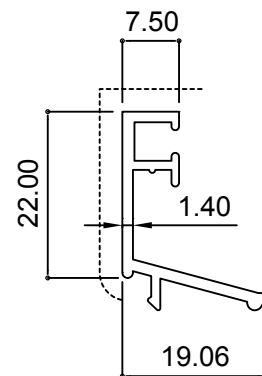
65057
(0.248 Kg/m)



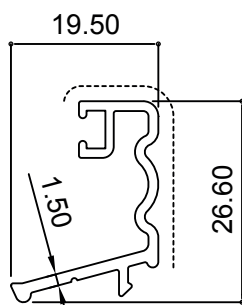
65055
(0.263 Kg/m)



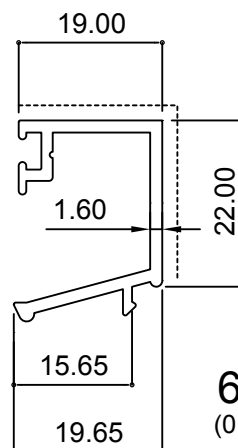
65059
(0.320 Kg/m)



65056
(0.230 Kg/m)



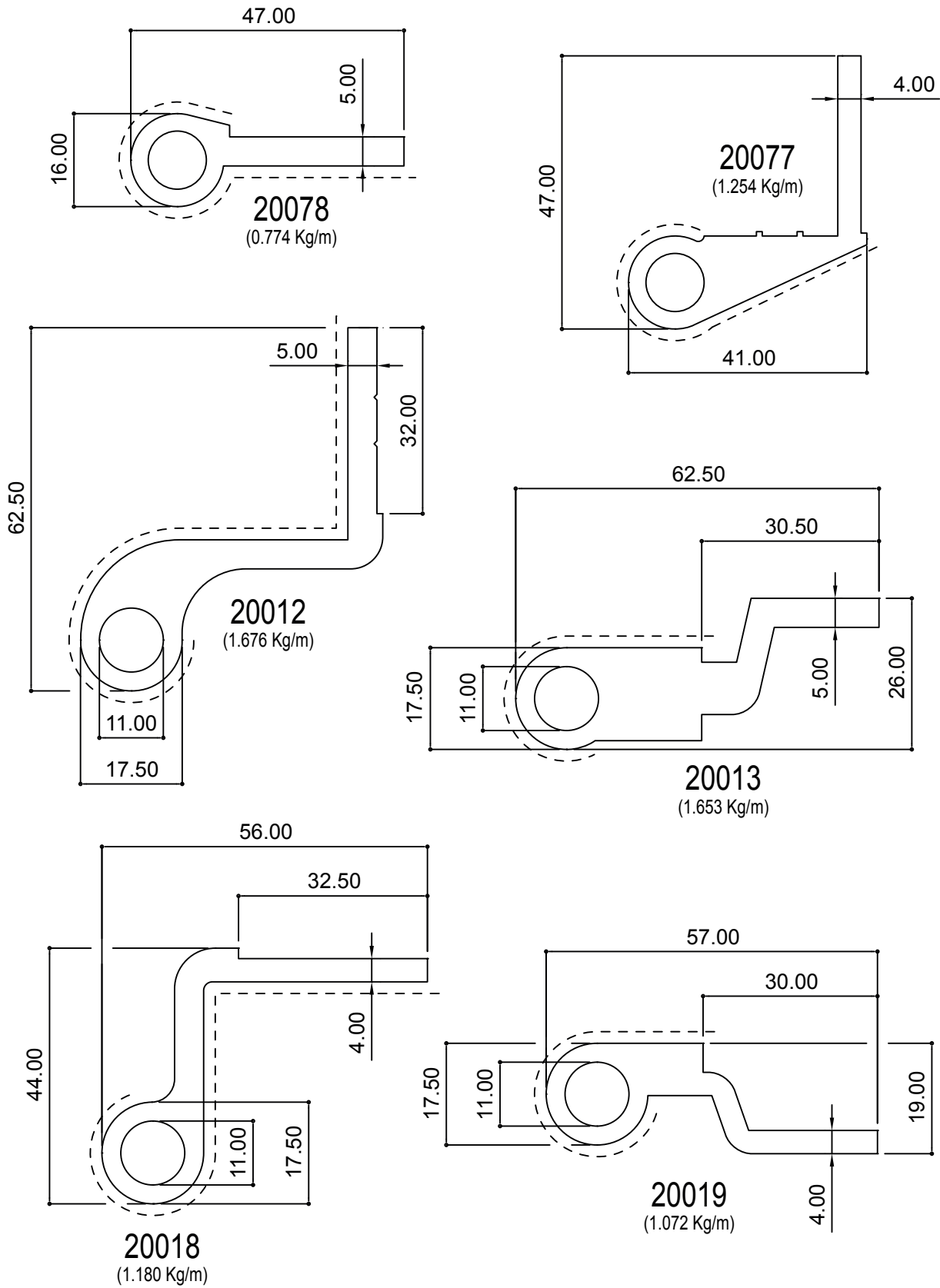
65062
(0.241 Kg/m)



65067
(0.311 Kg/m)

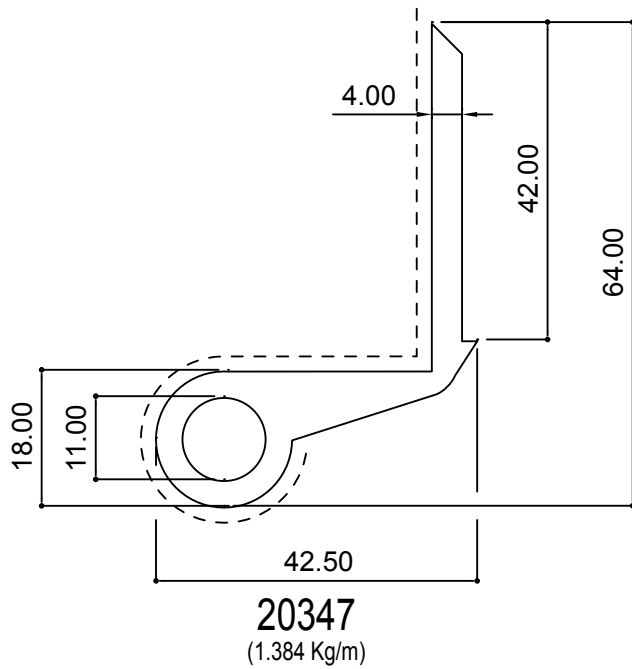
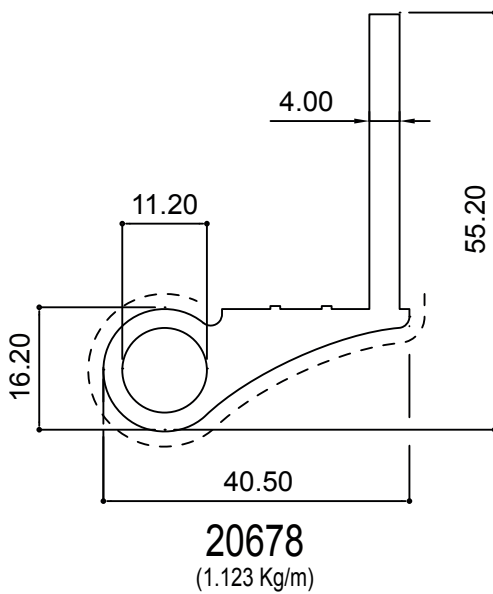
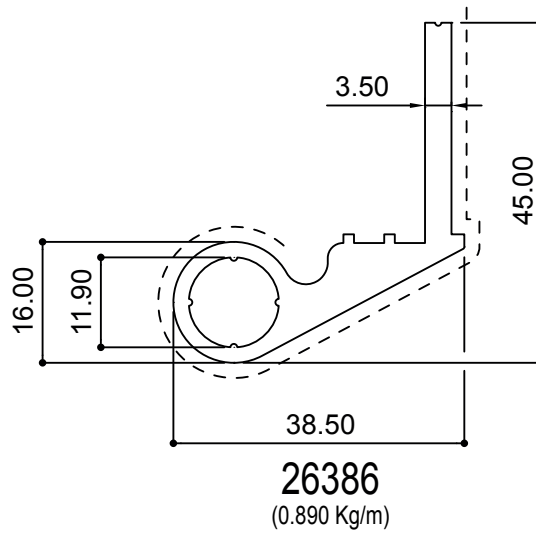
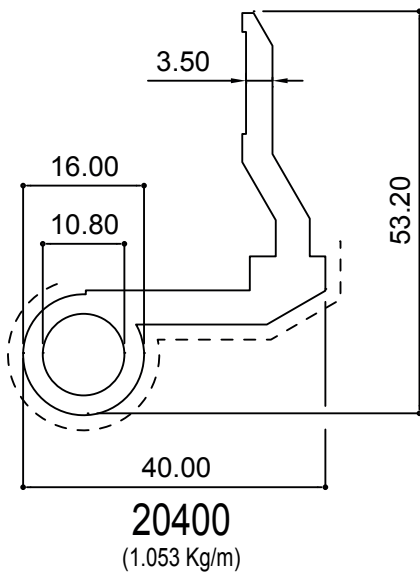
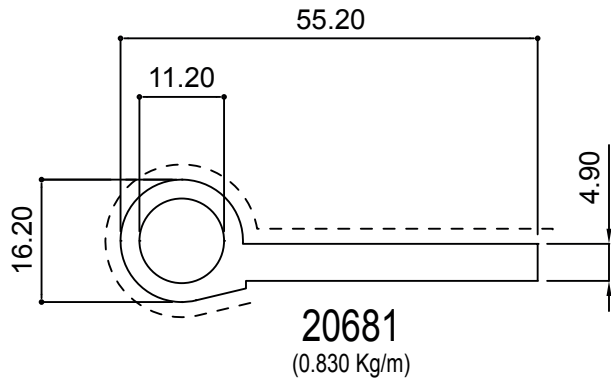
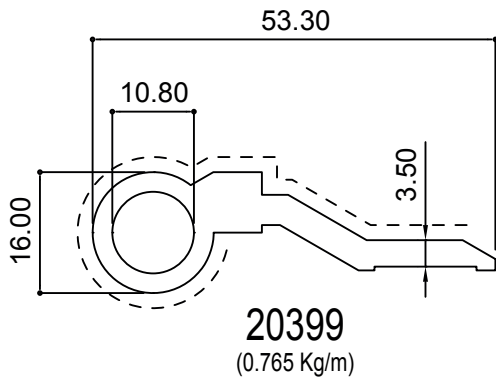
* For export, not recommended for GCC usage

Hinges Doors & Windows



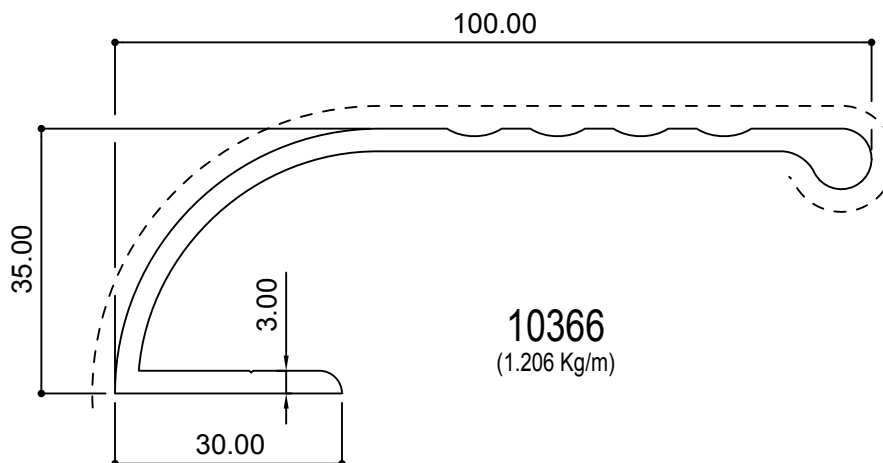
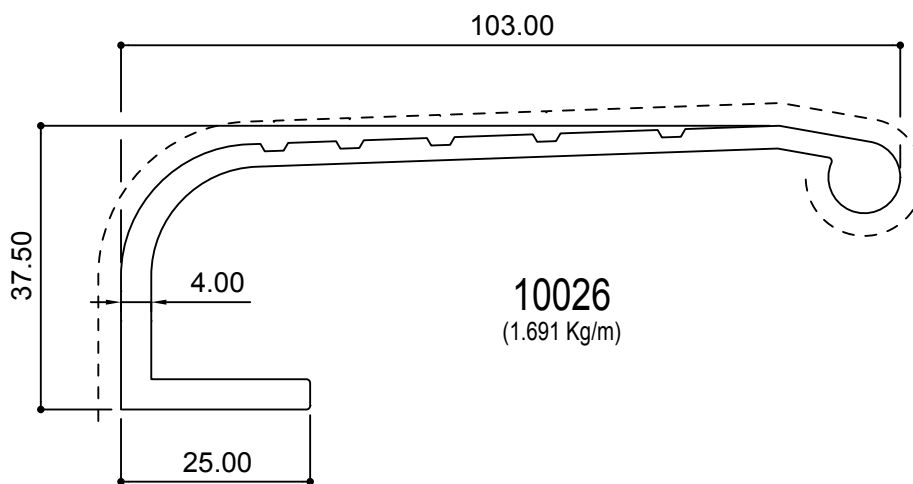
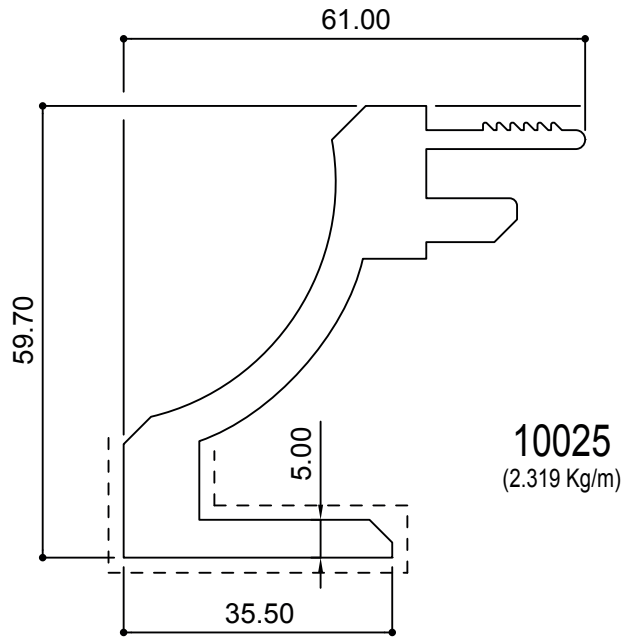
* For export, not recommended for GCC usage

Hinges Doors & Windows



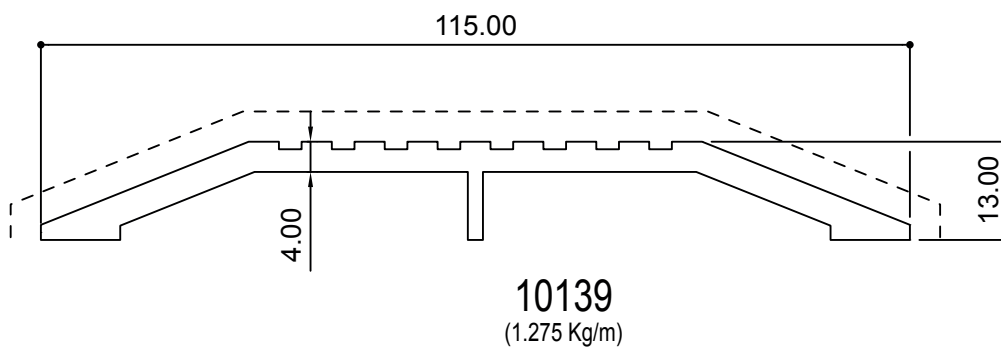
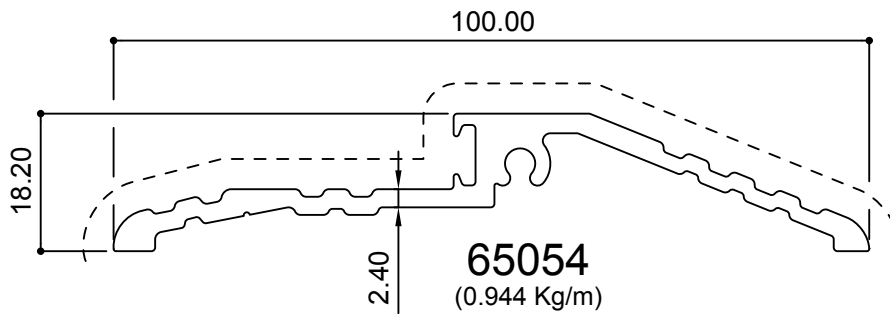
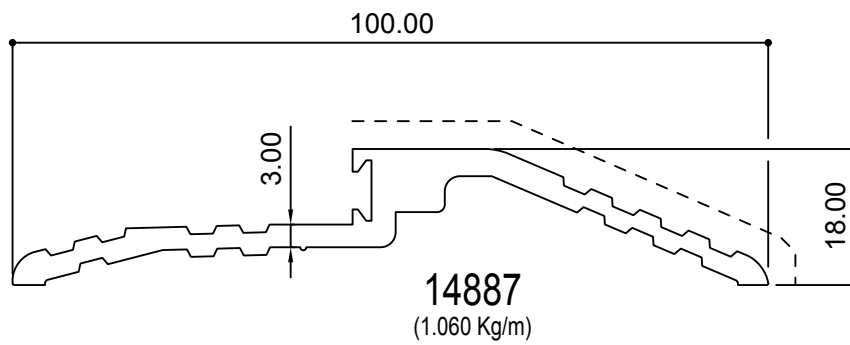
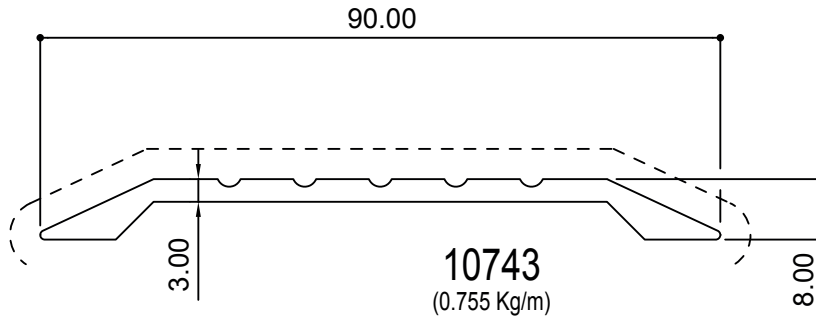
* For export, not recommended for GCC usage

Handles Hinged / Swing Doors



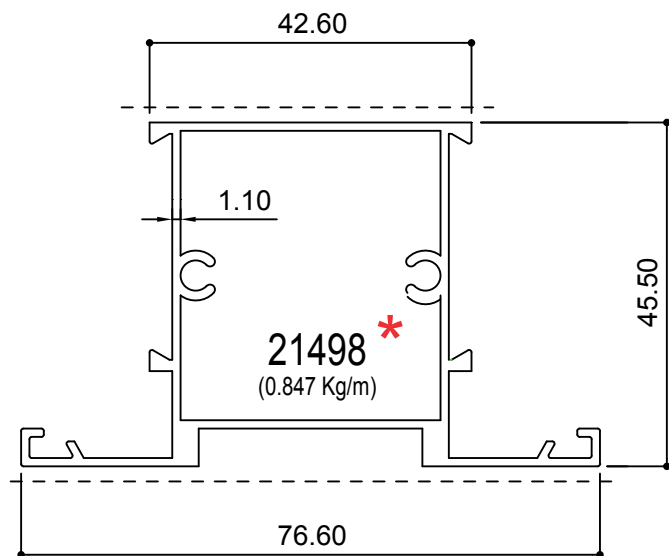
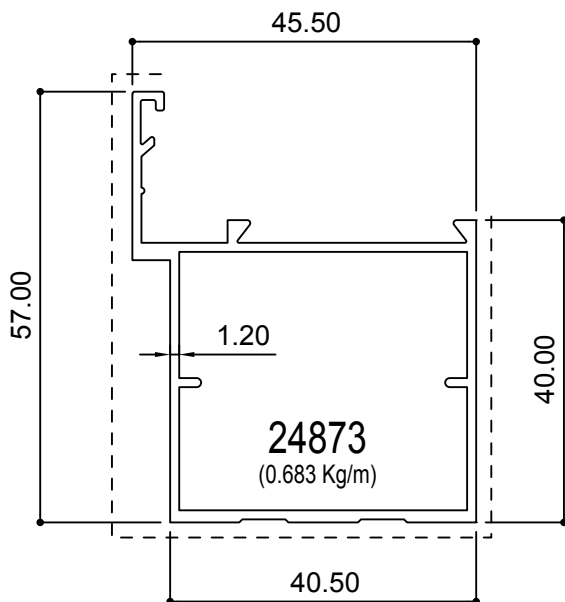
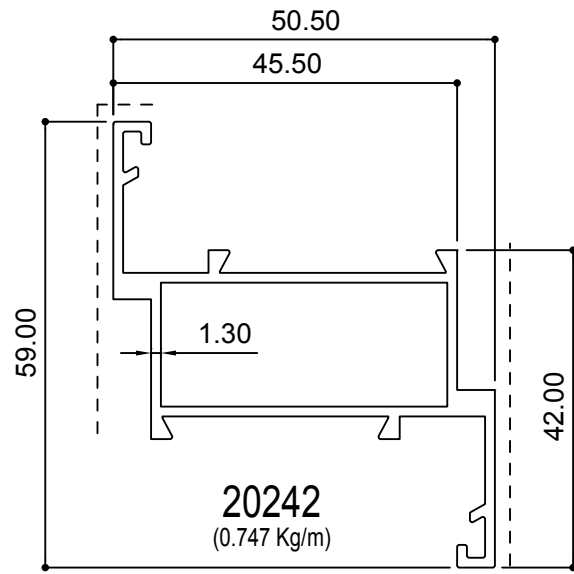
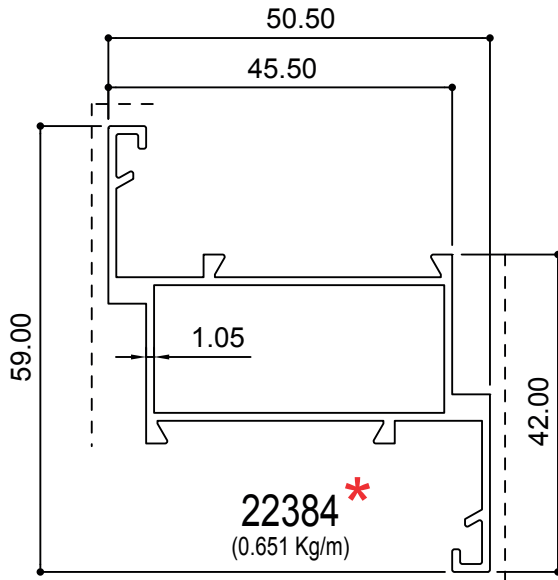
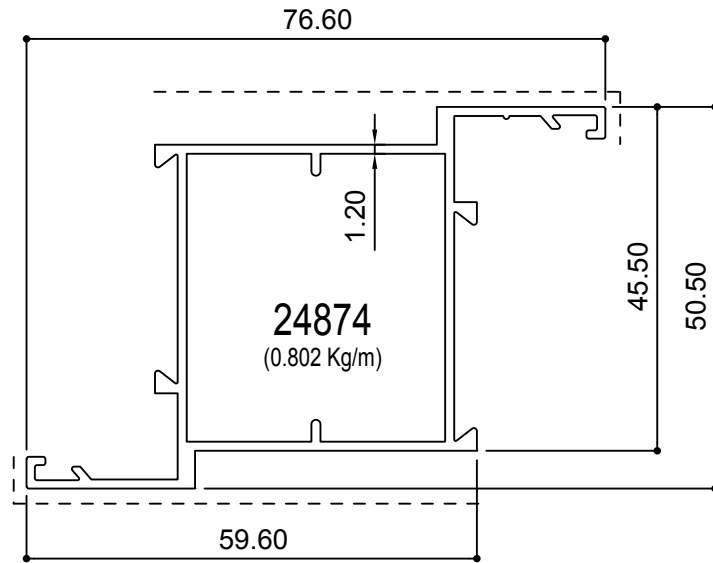
* For export, not recommended for GCC usage

Threshold Profiles



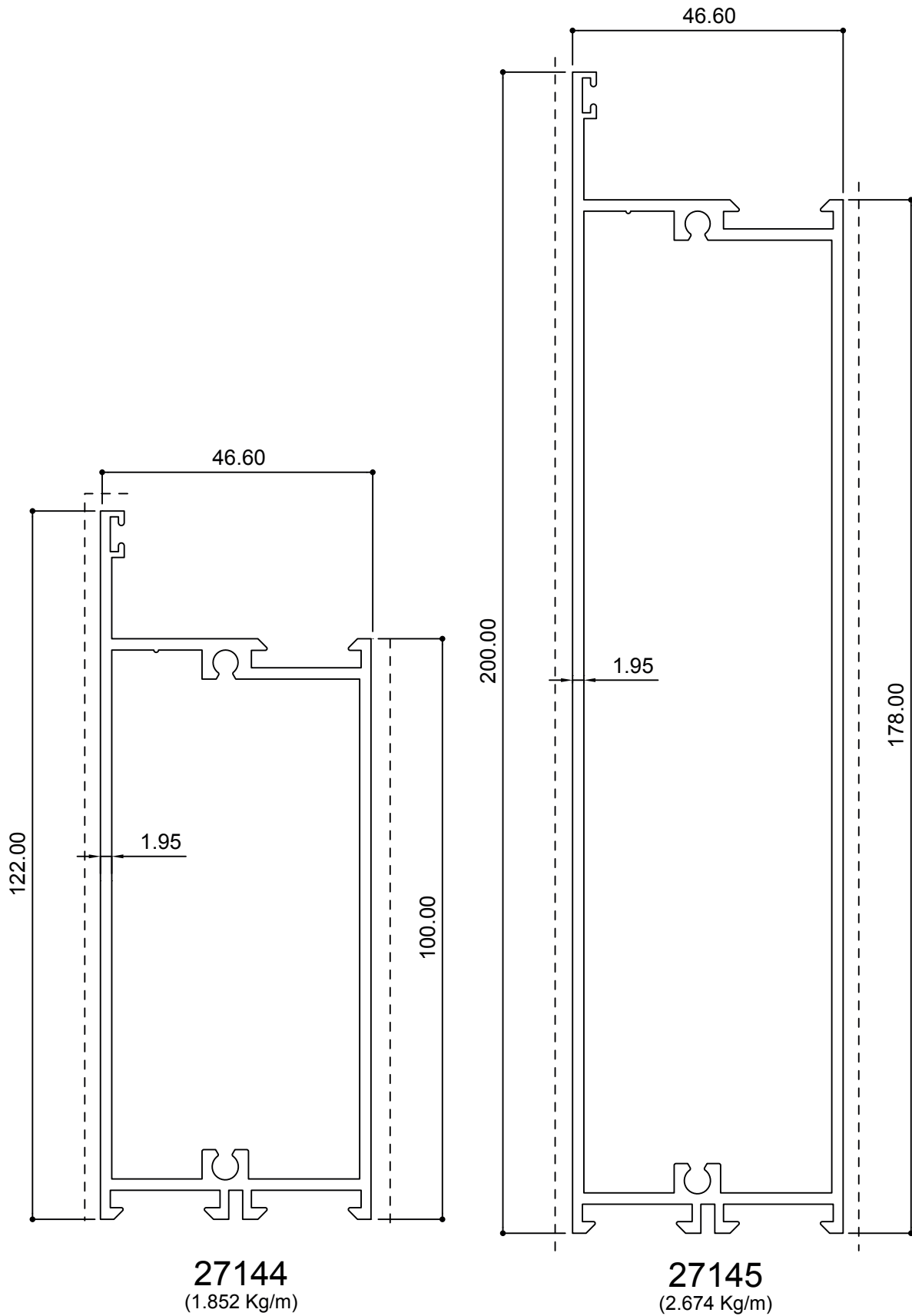
* For export, not recommended for GCC usage

Hinge - 45.50 mm



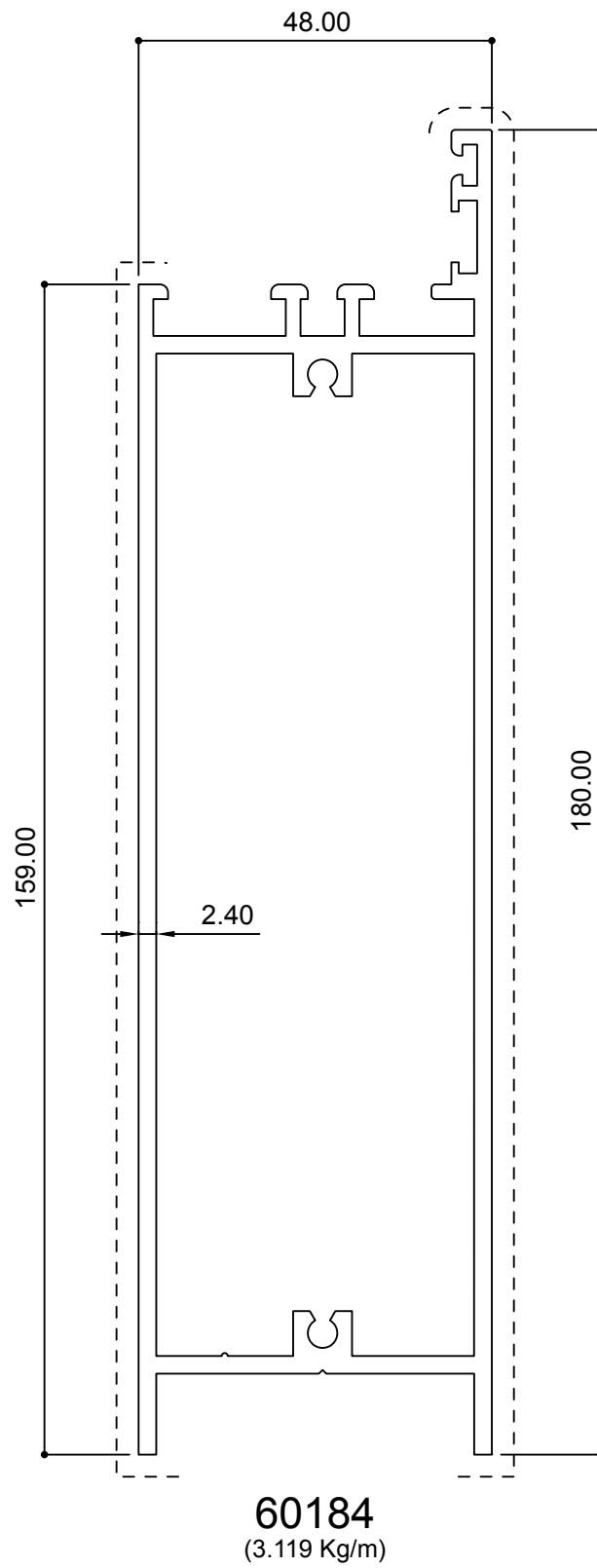
* For export, not recommended for GCC usage

Hinge - 46.60 mm



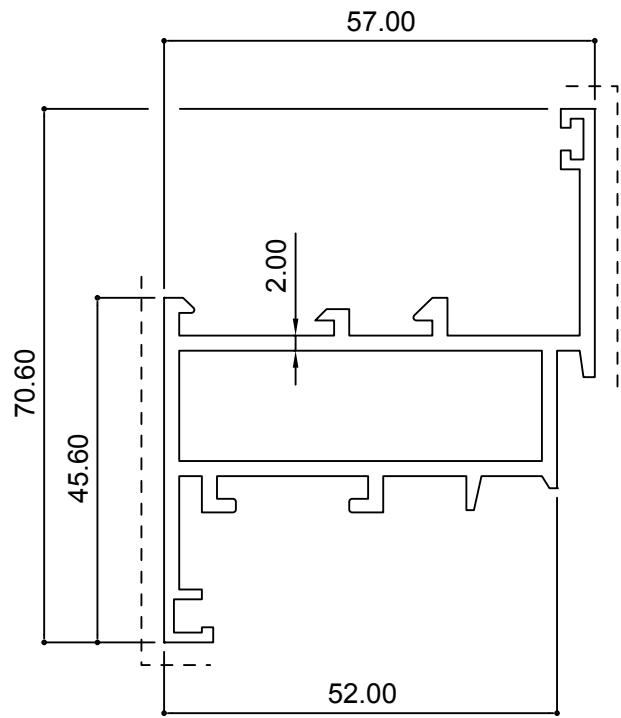
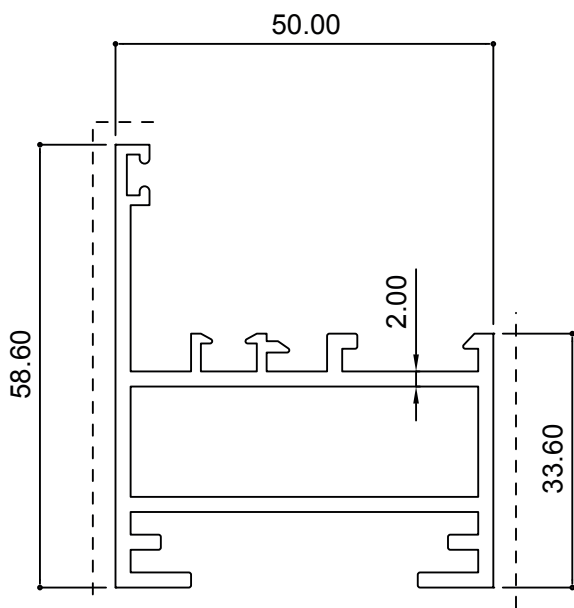
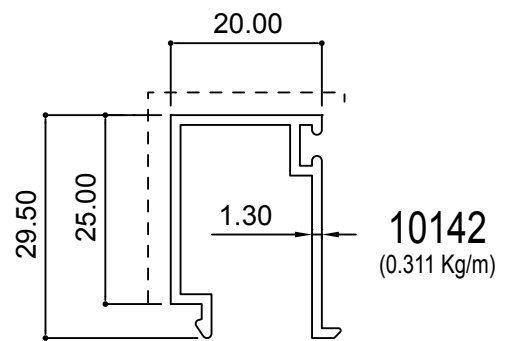
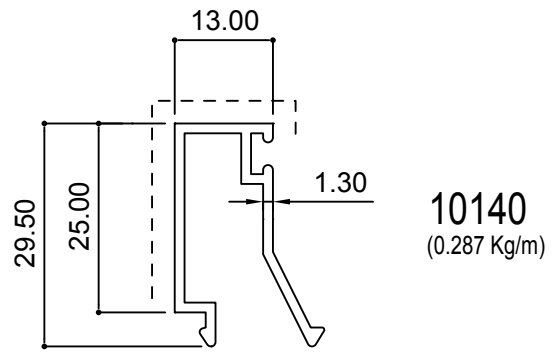
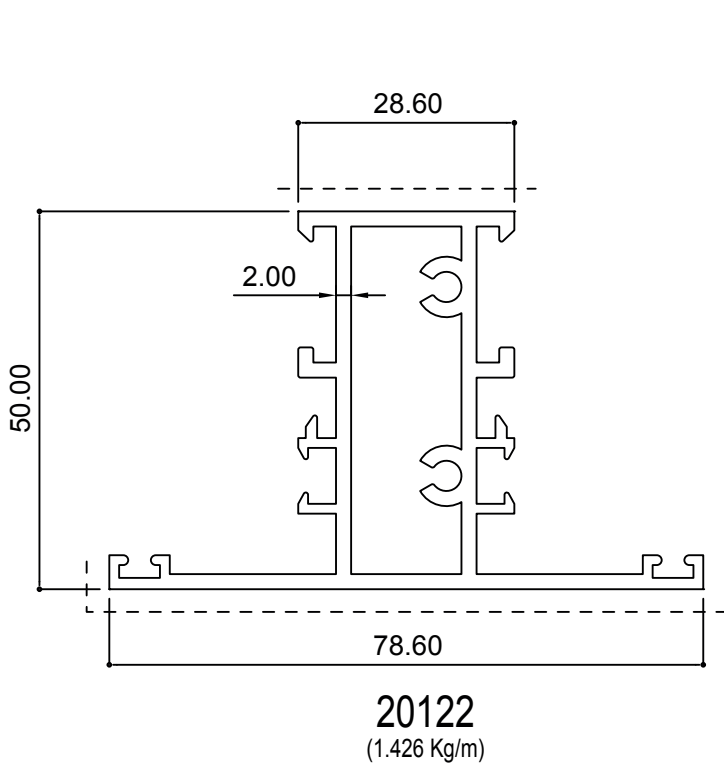
* For export, not recommended for GCC usage

Hinge - 48 mm



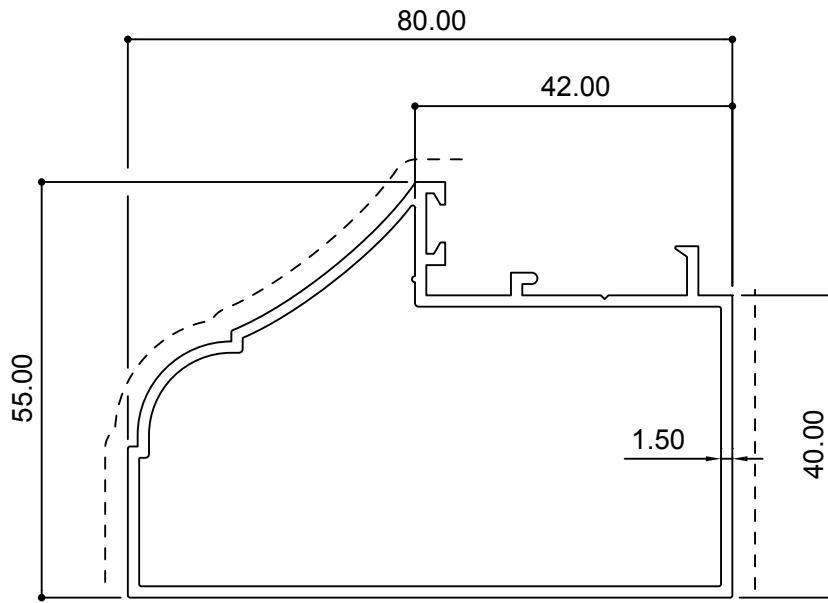
* For export, not recommended for GCC usage

Hinge - 50 mm

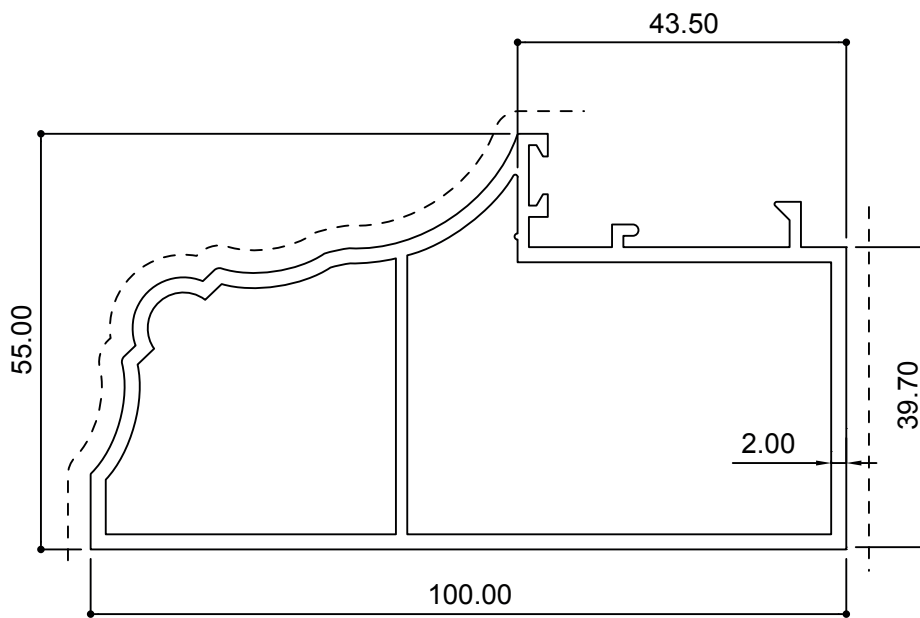


* For export, not recommended for GCC usage

Frame Profiles



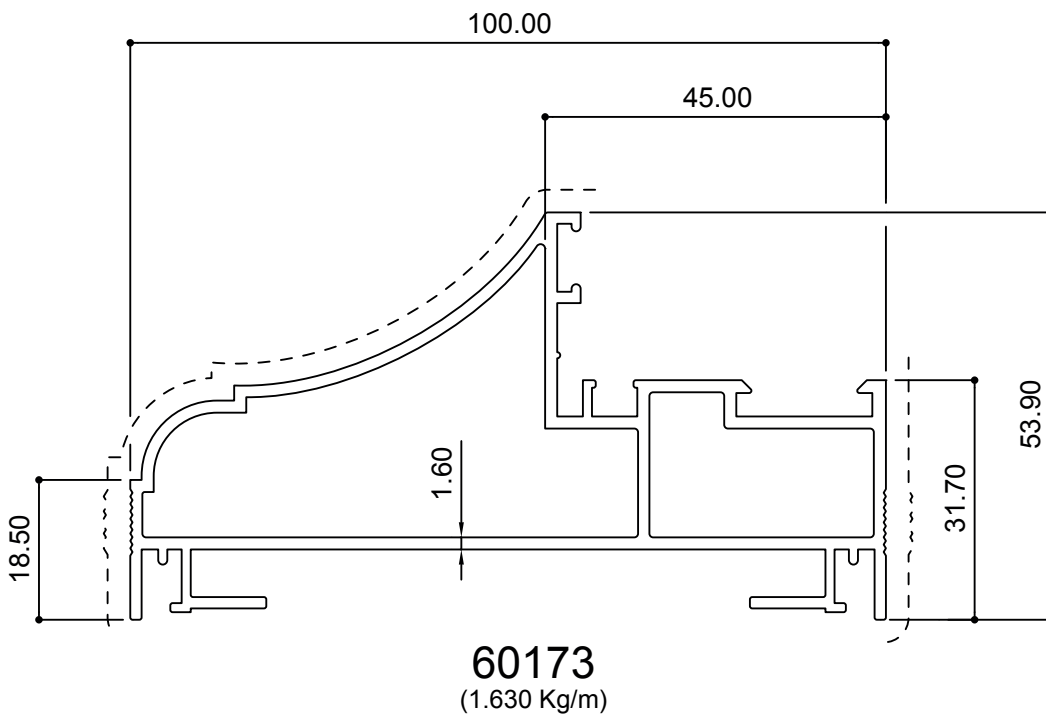
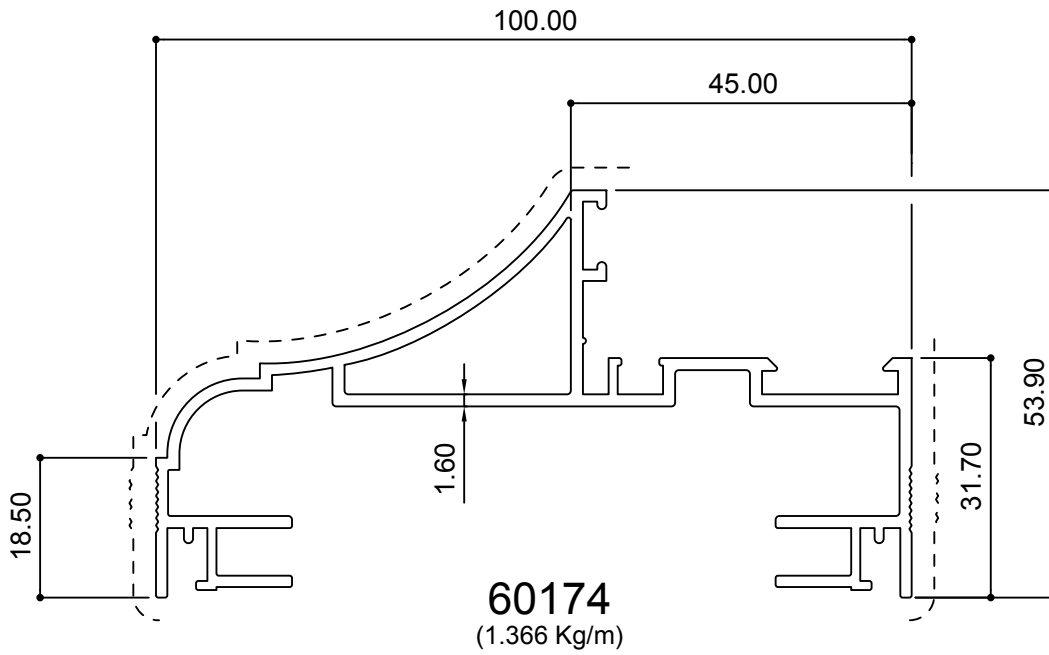
60140
(1.076 Kg/m)



27519
(1.742 Kg/m)

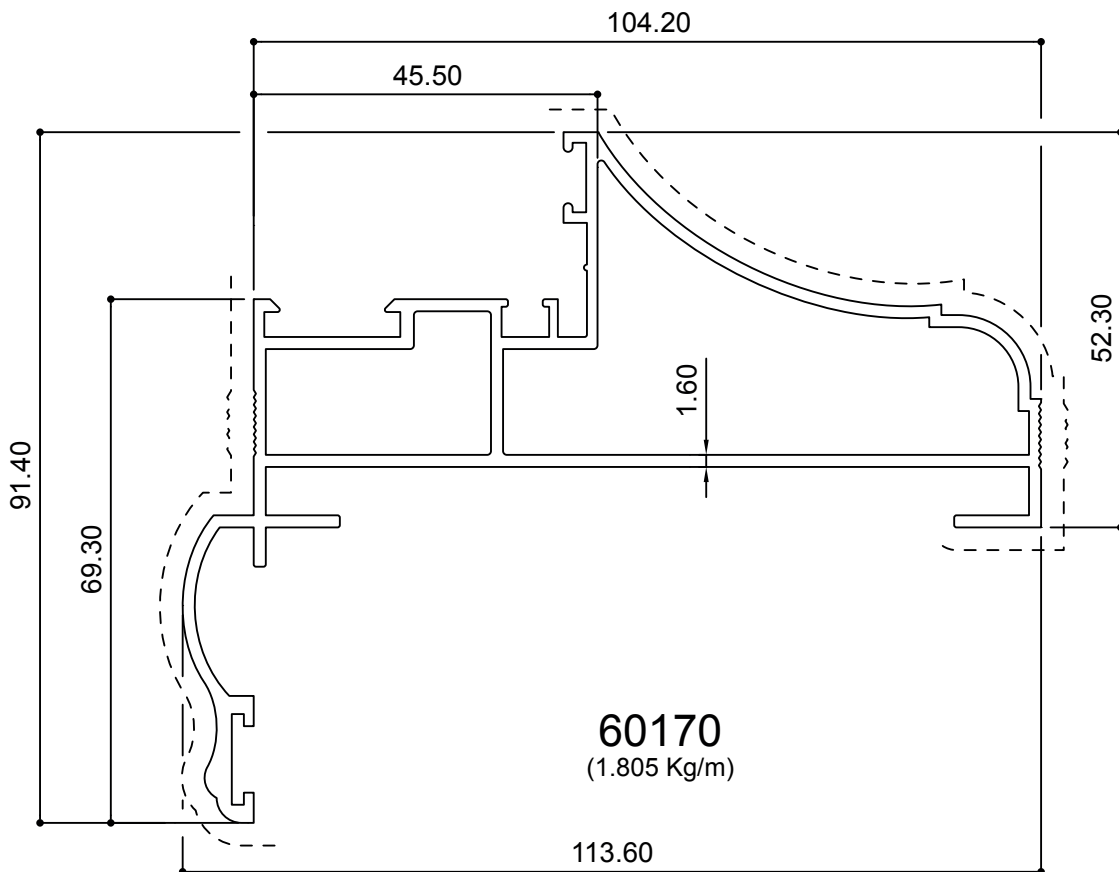
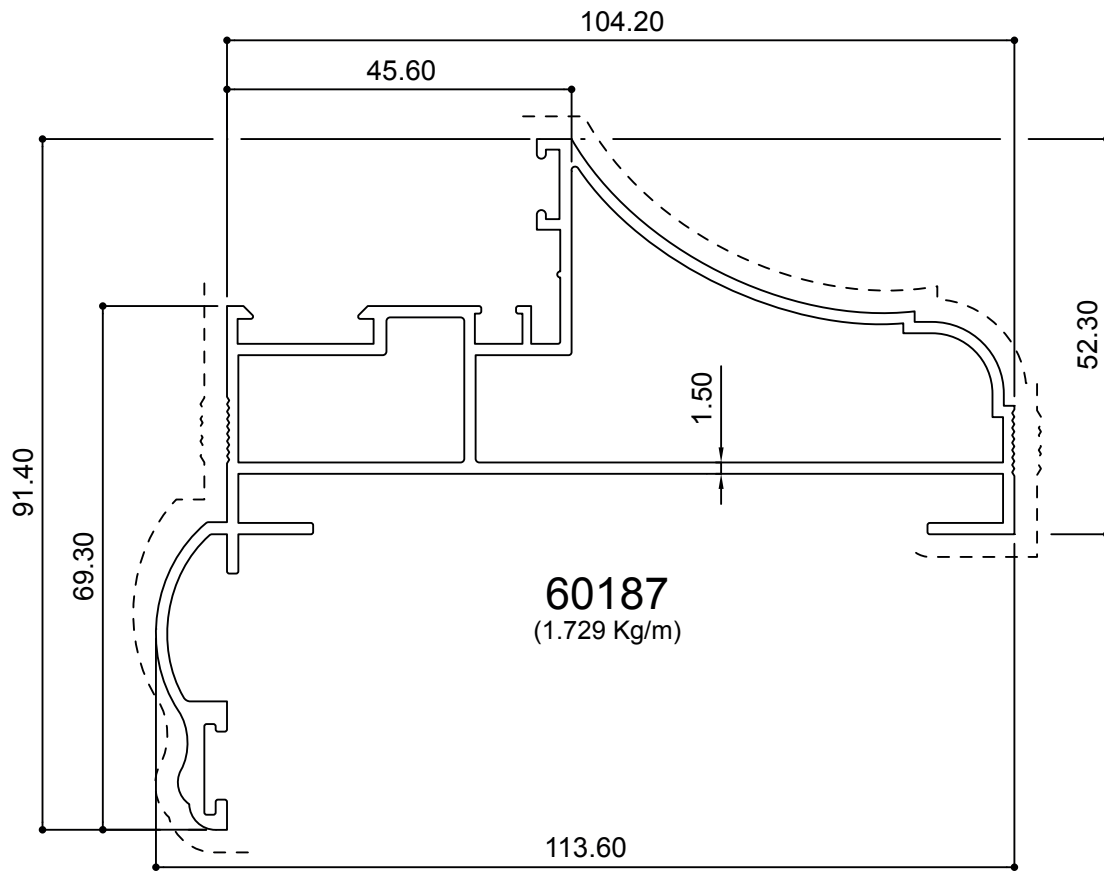
* For export, not recommended for GCC usage

Frame Profiles - 45 mm



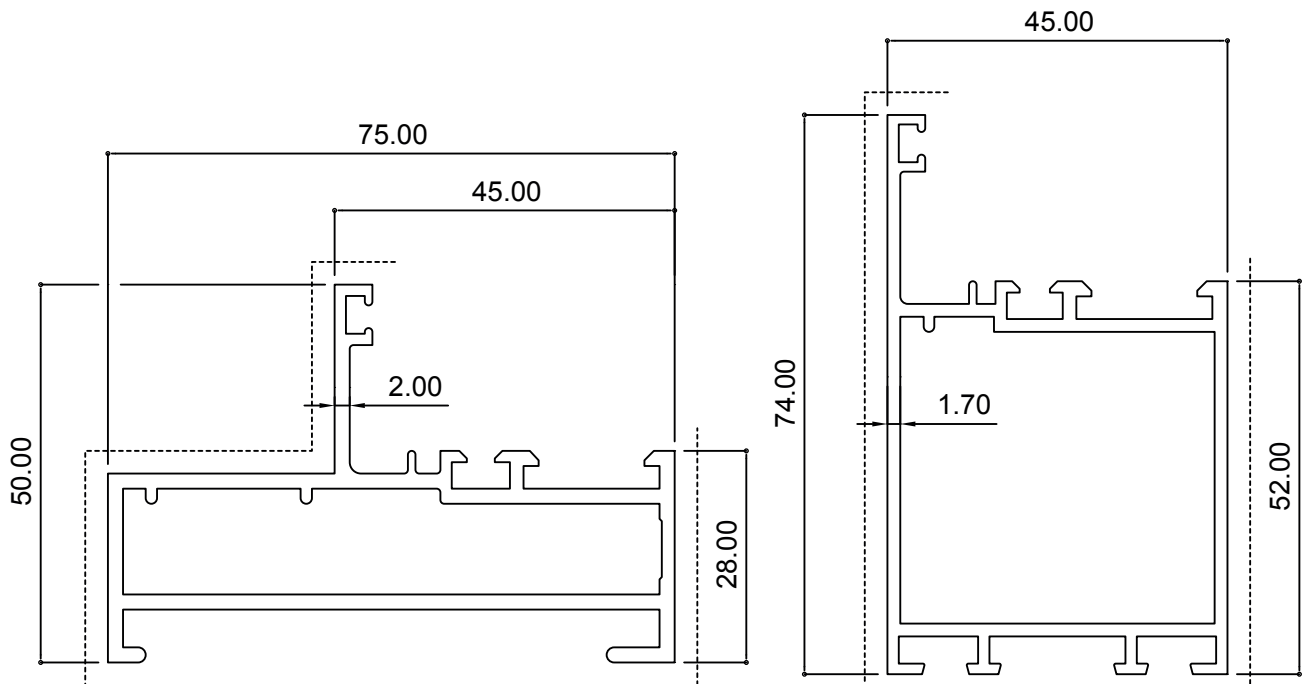
* For export, not recommended for GCC usage

Frame Profiles



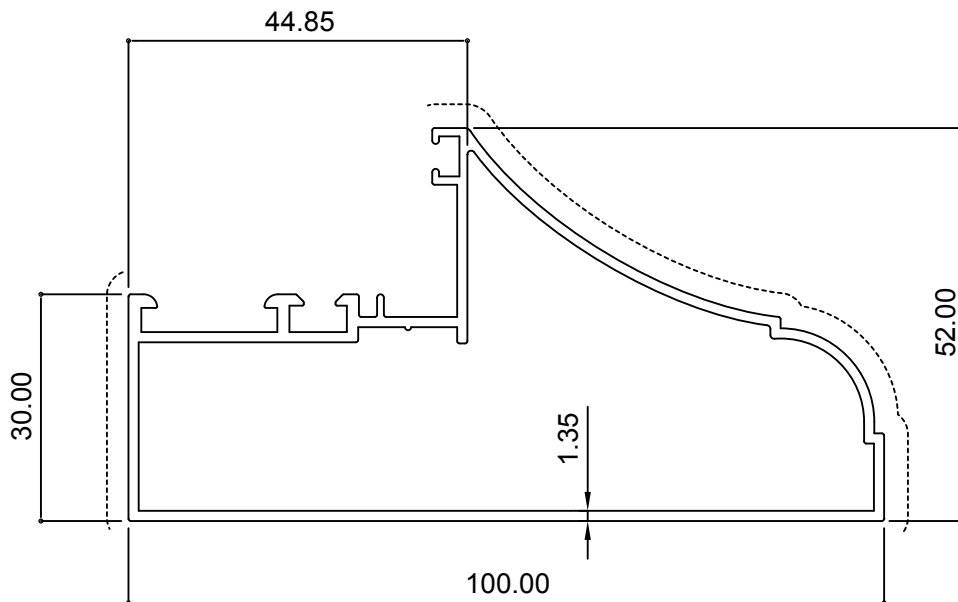
* For export, not recommended for GCC usage

Frame Profiles - 45 mm



24490
(1.356 Kg/m)

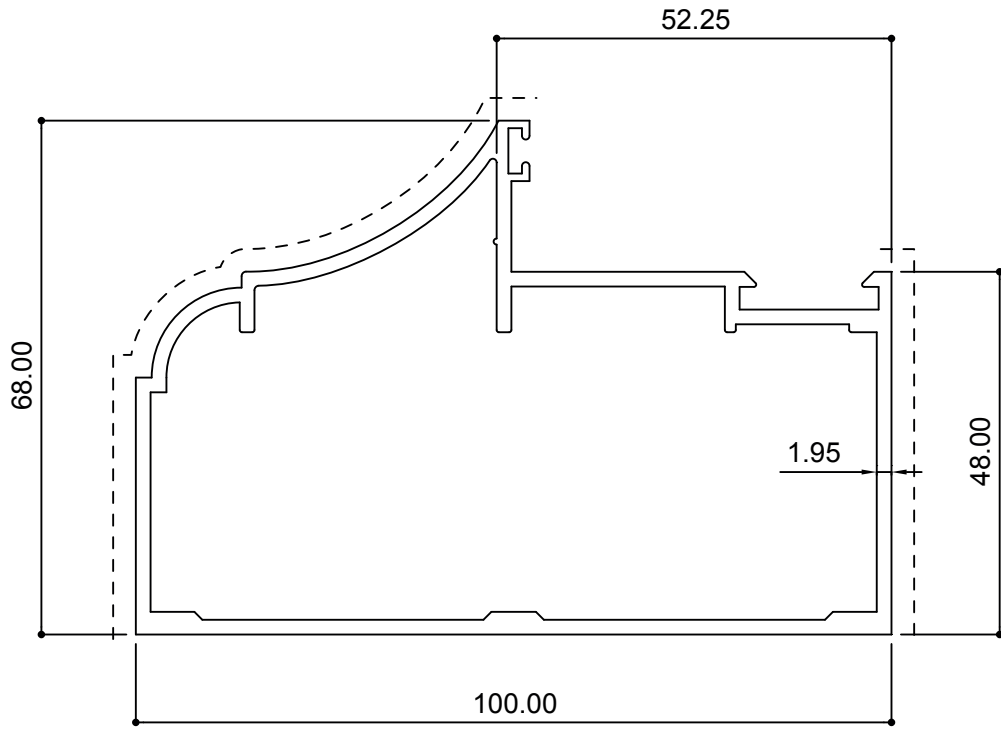
21988
(1.158 Kg/m)



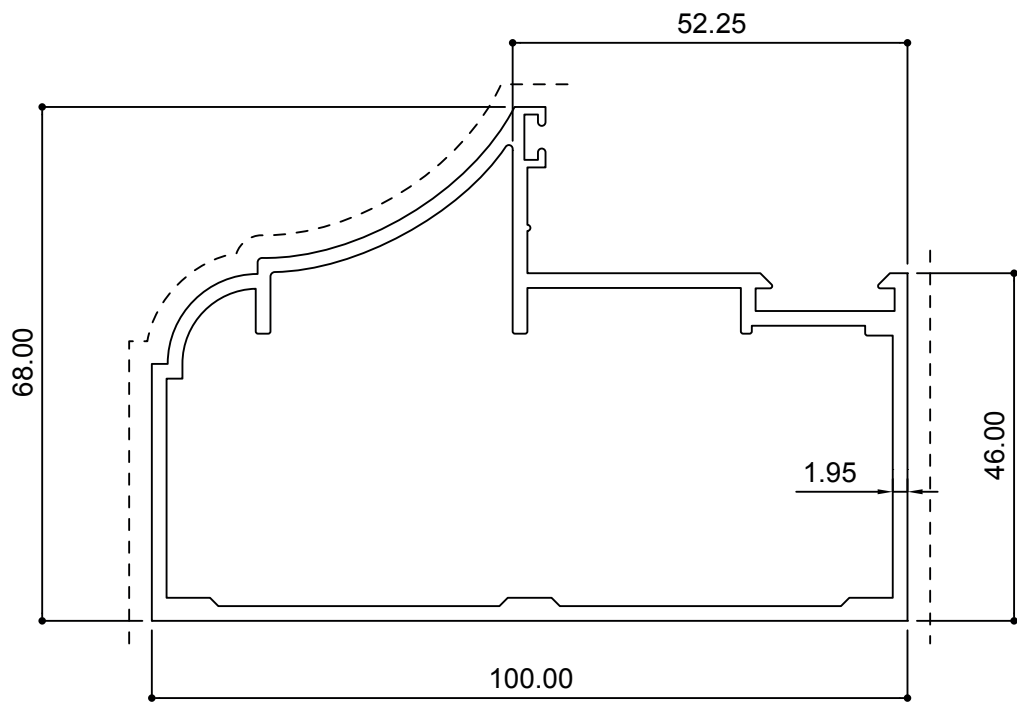
60214
(1.128 Kg/m)

* For export, not recommended for GCC usage

Frame Profiles



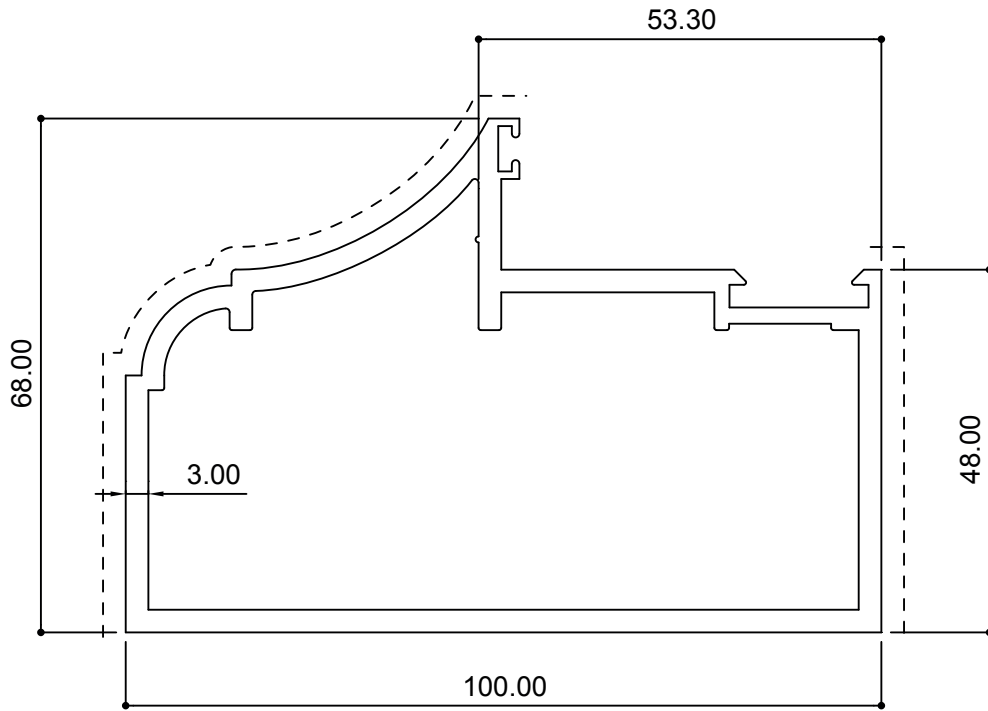
27603
(1.808 Kg/m)



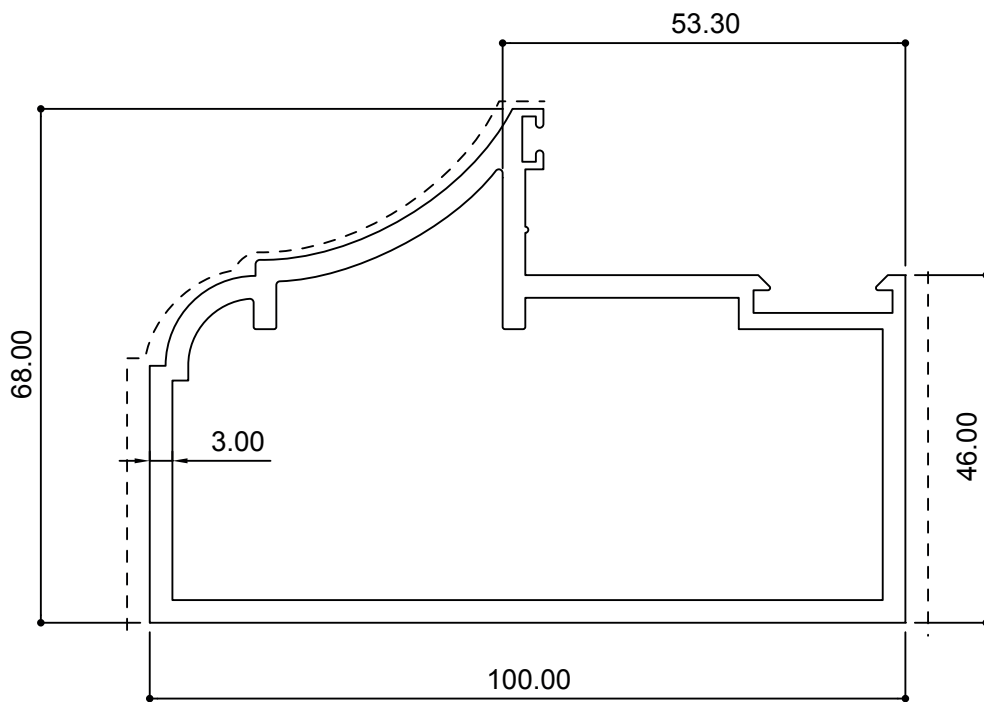
27151
(1.823 Kg/m)

* For export, not recommended for GCC usage

Frame Profiles



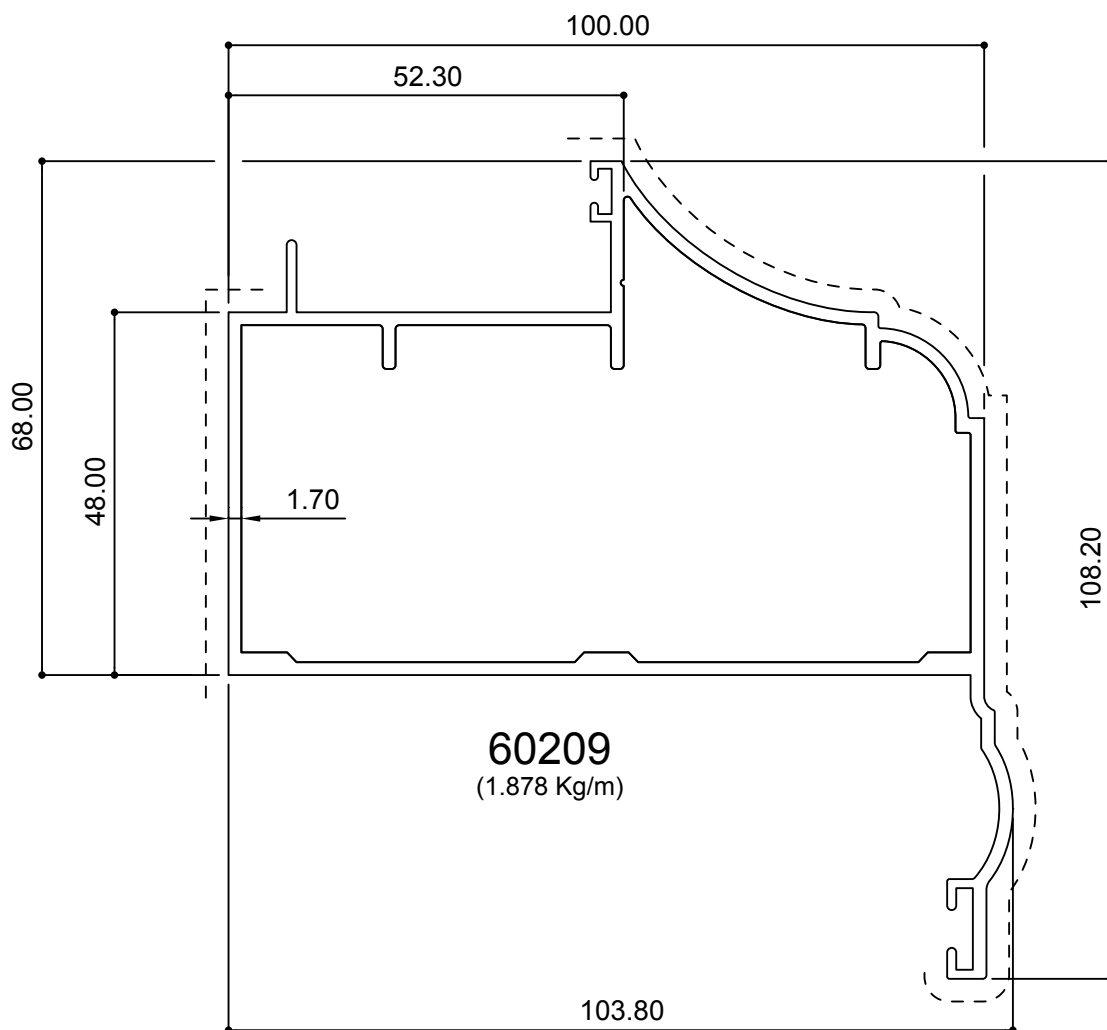
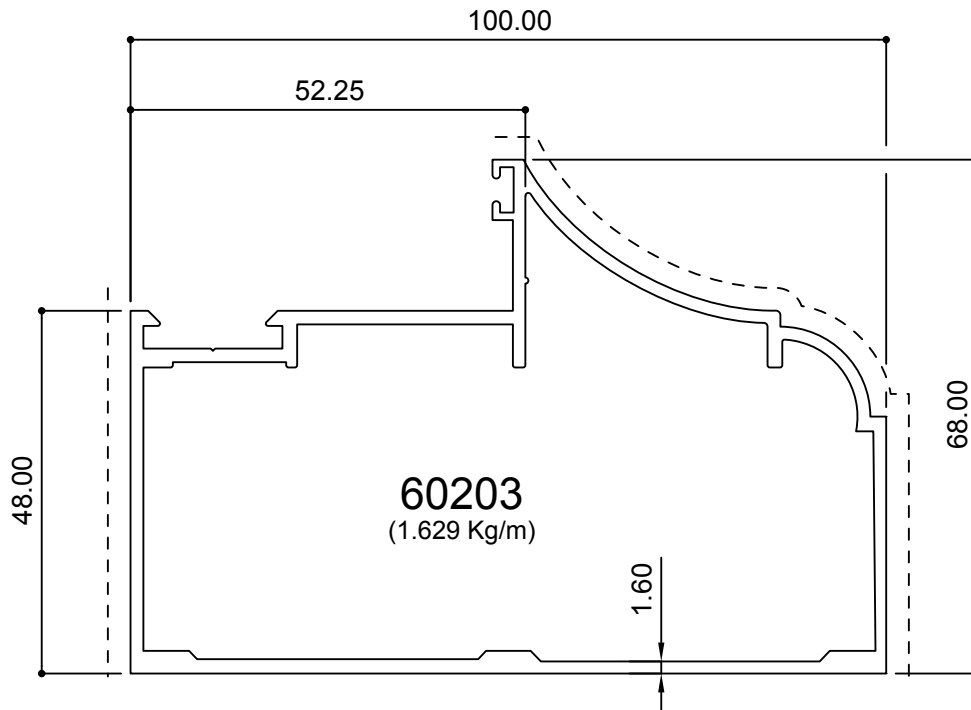
27604
(2.534 Kg/m)



27497
(2.523 Kg/m)

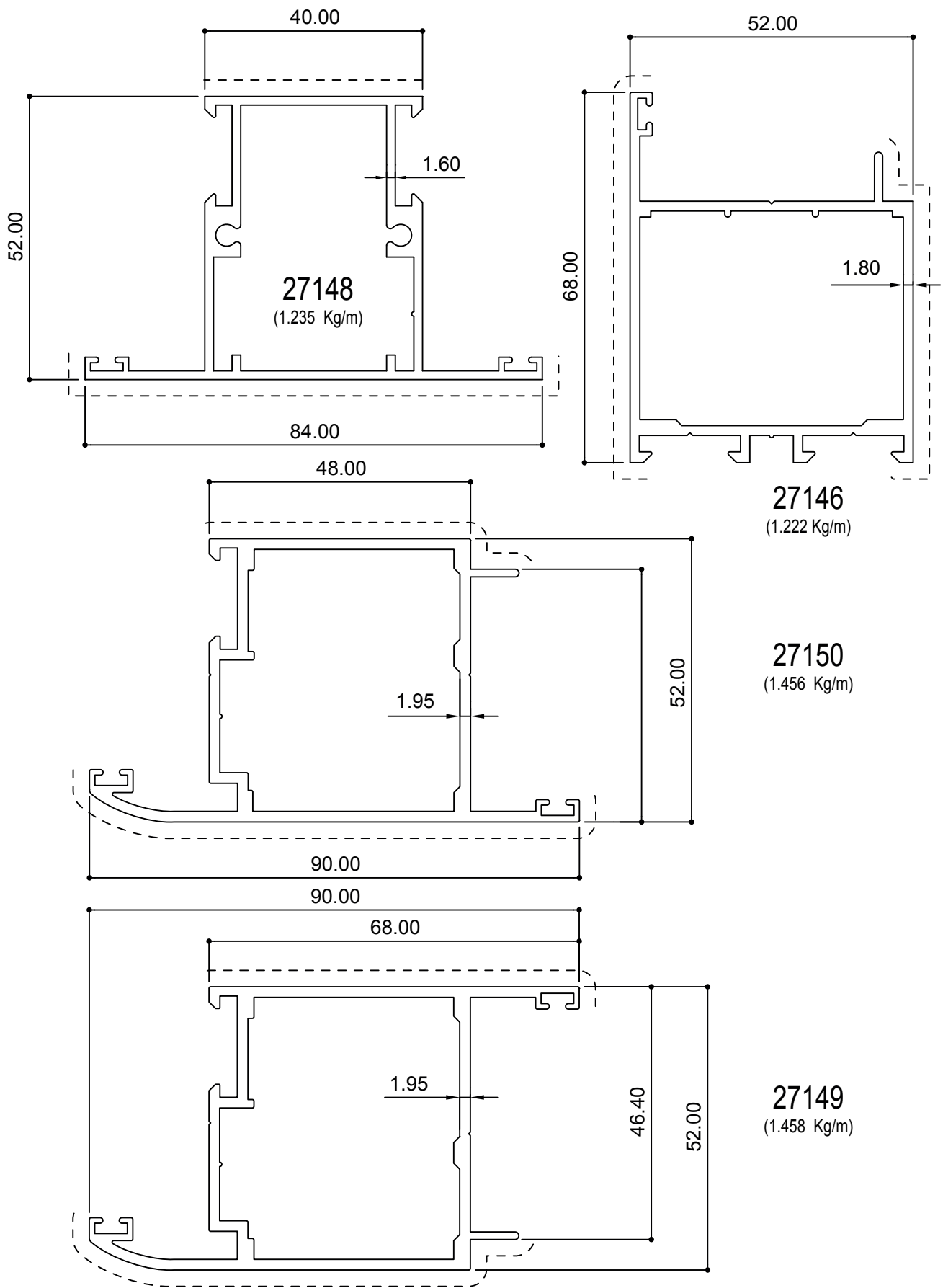
* For export, not recommended for GCC usage

Frame Profiles



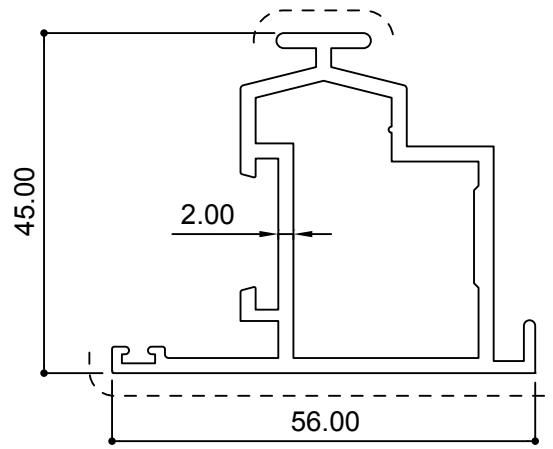
* For export, not recommended for GCC usage

Hinge - 52 mm

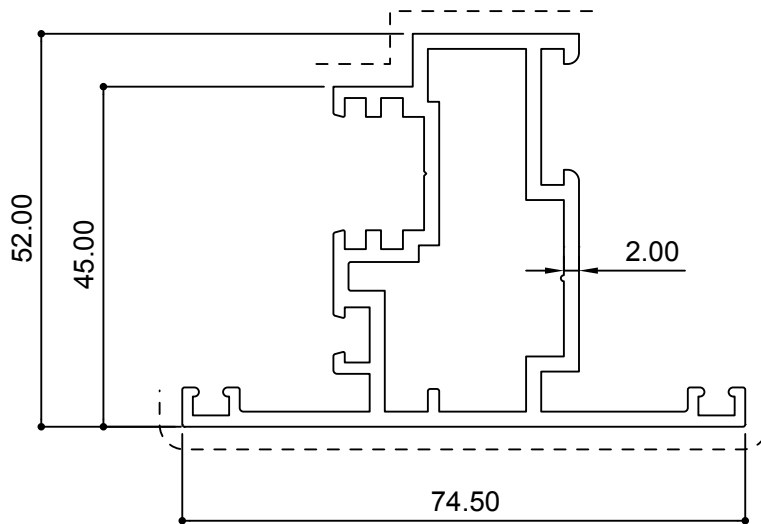


* For export, not recommended for GCC usage

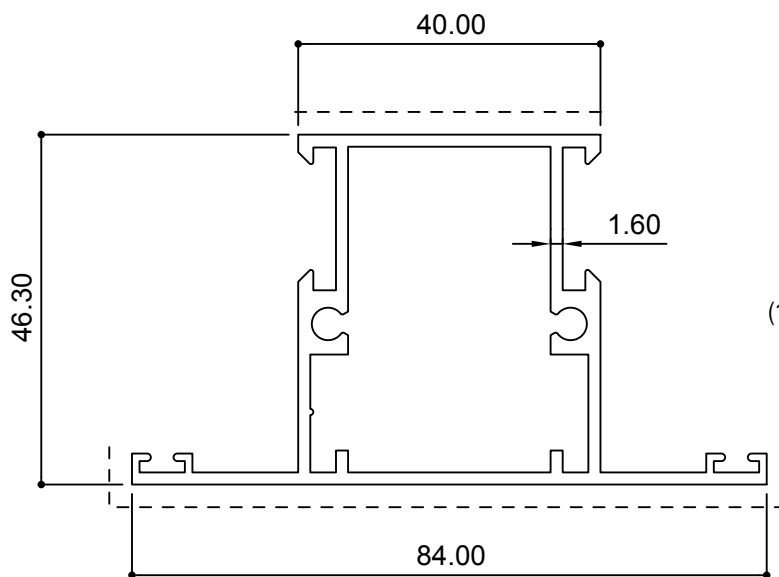
T Profiles - 45 mm



60099
(1.052 Kg/m)



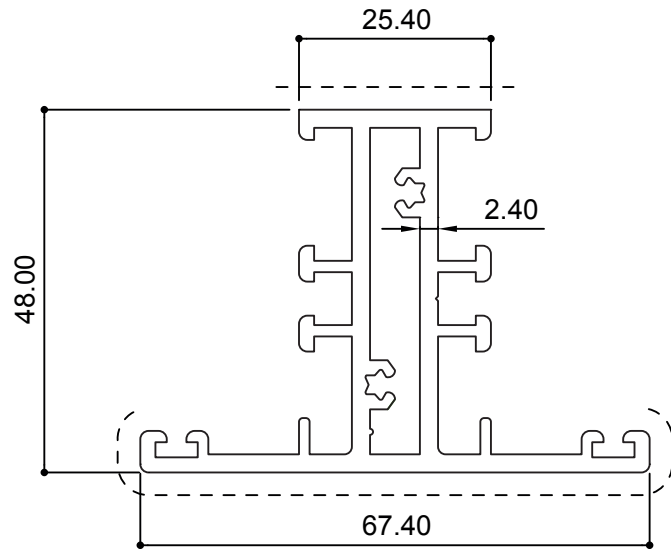
60098
(1.390 Kg/m)



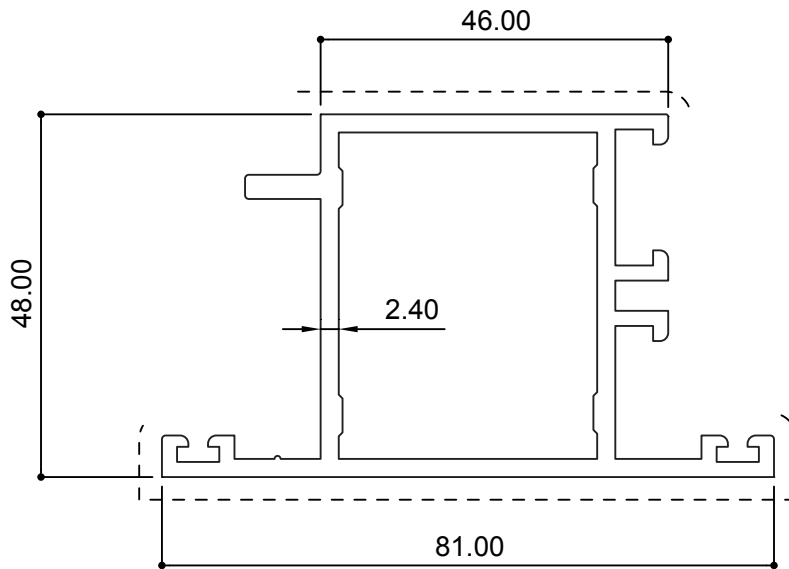
27147
(1.159 Kg/m)

* For export, not recommended for GCC usage

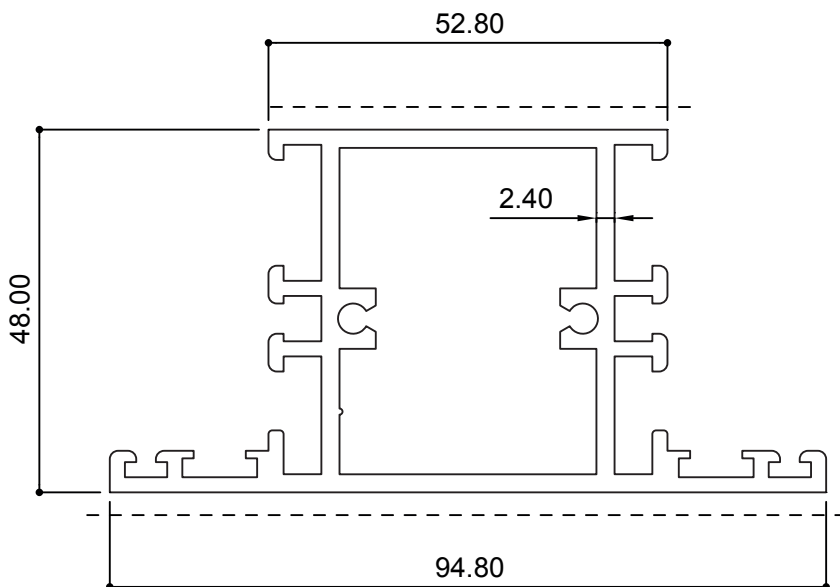
T Frame - 48 mm



60186
(1.508 Kg/m)



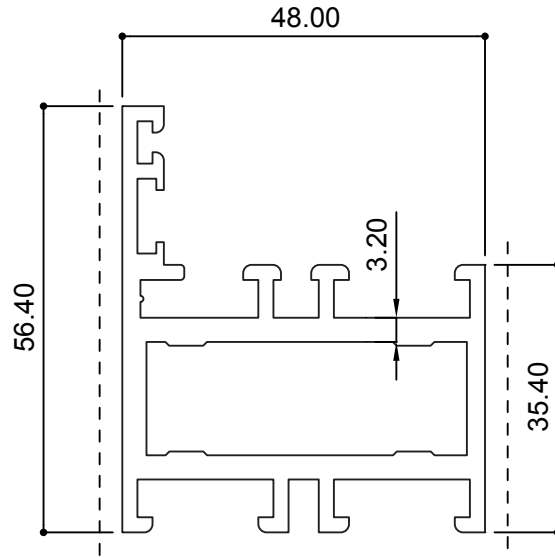
60182
(1.671 Kg/m)



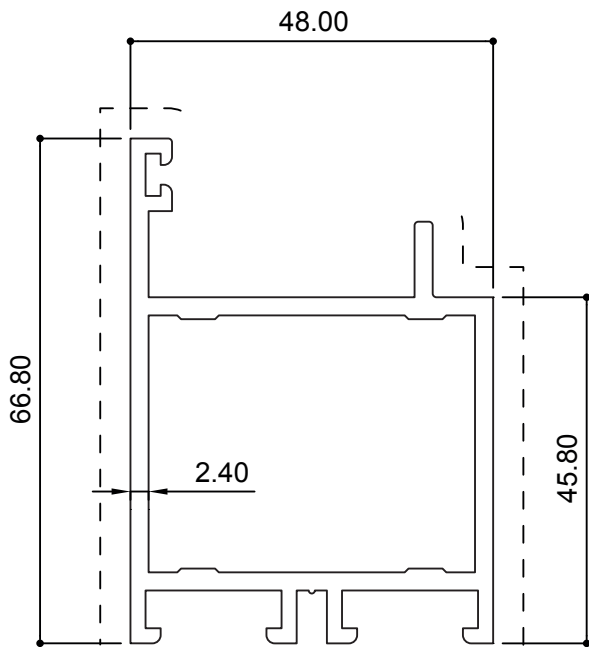
60185
(2.013 Kg/m)

* For export, not recommended for GCC usage

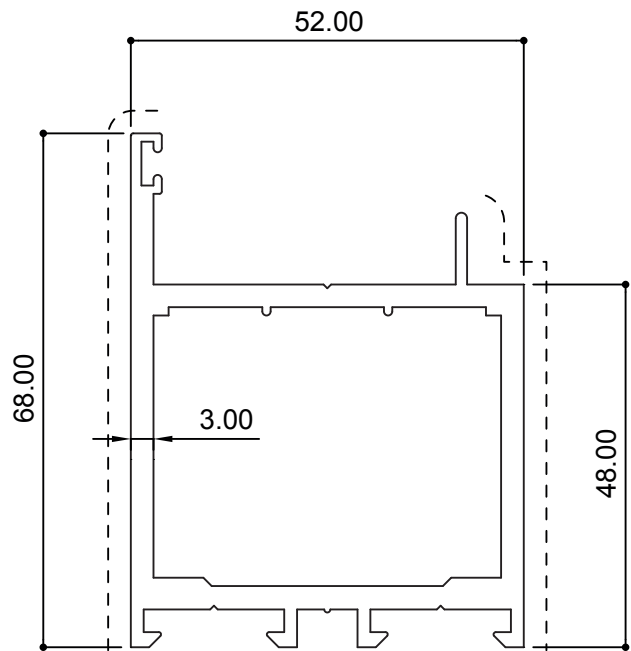
Frame Profiles



60183
(1.689 Kg/m)



60178
(1.521 Kg/m)



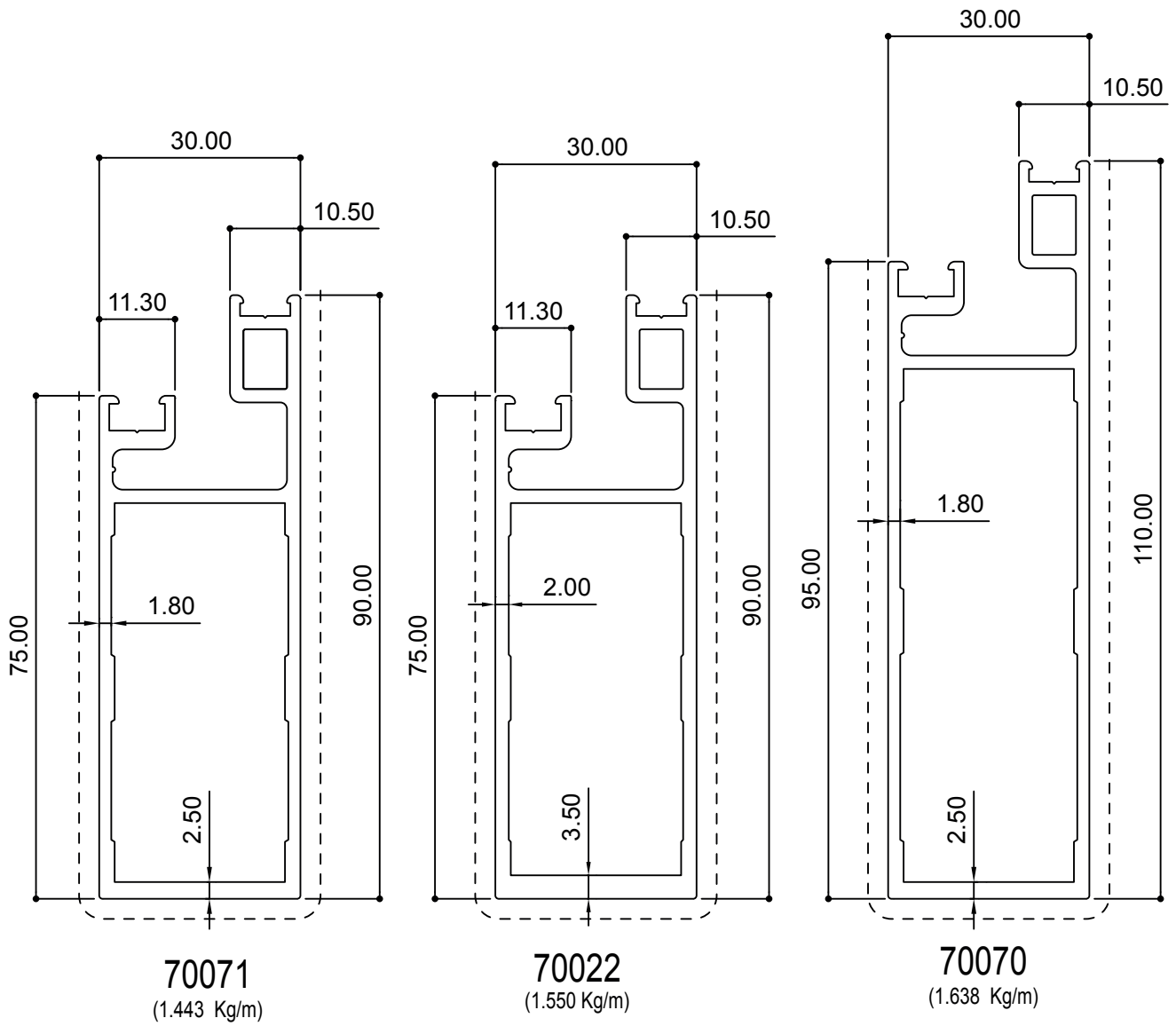
60158
(1.828 Kg/m)

* For export, not recommended for GCC usage

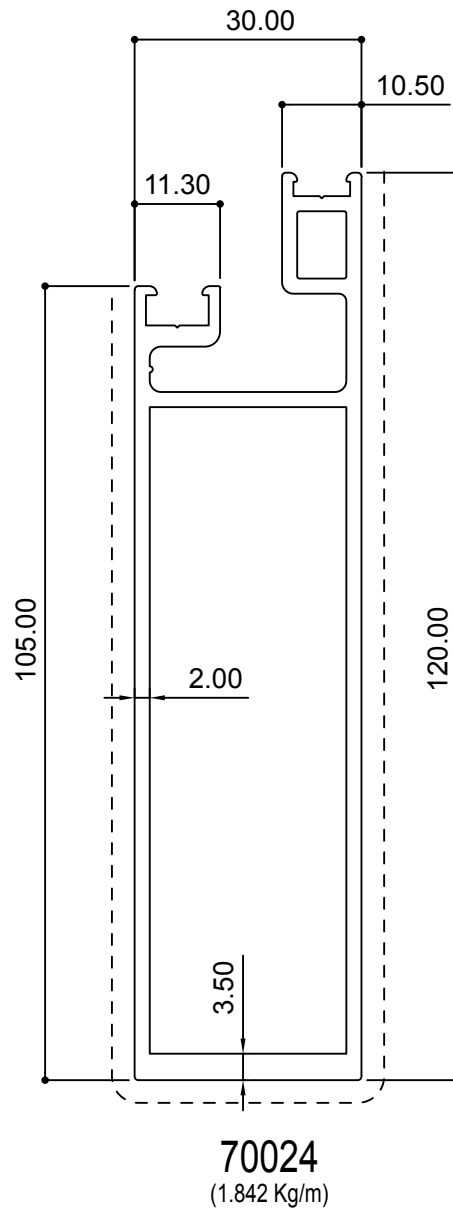
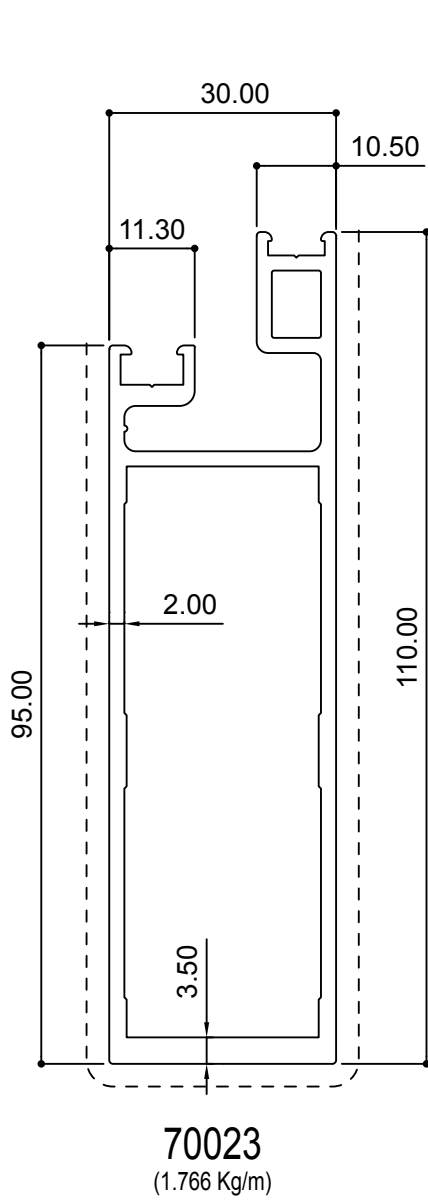
Curtain Wall



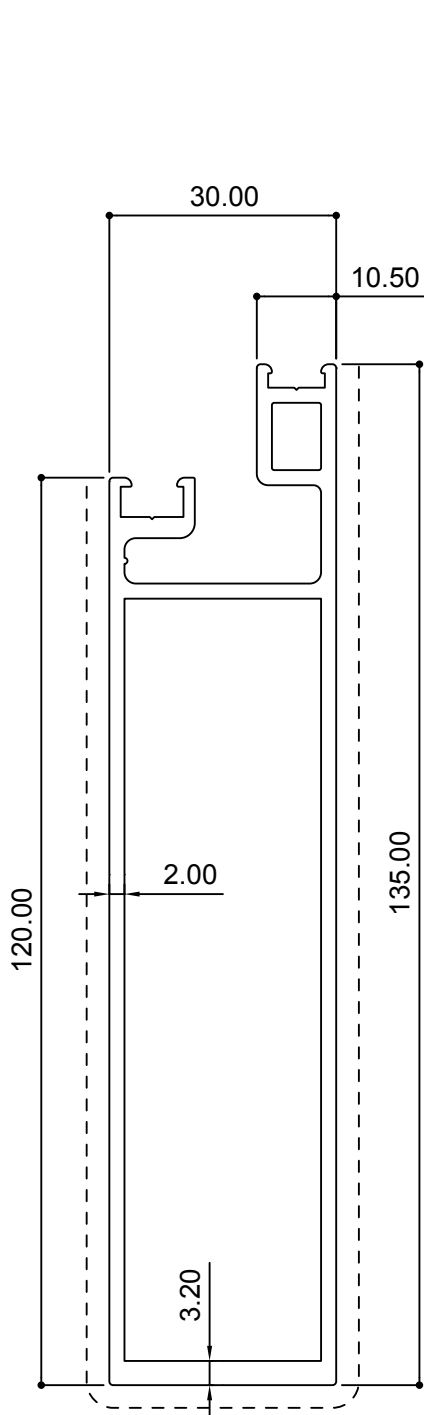
Curtain Wall



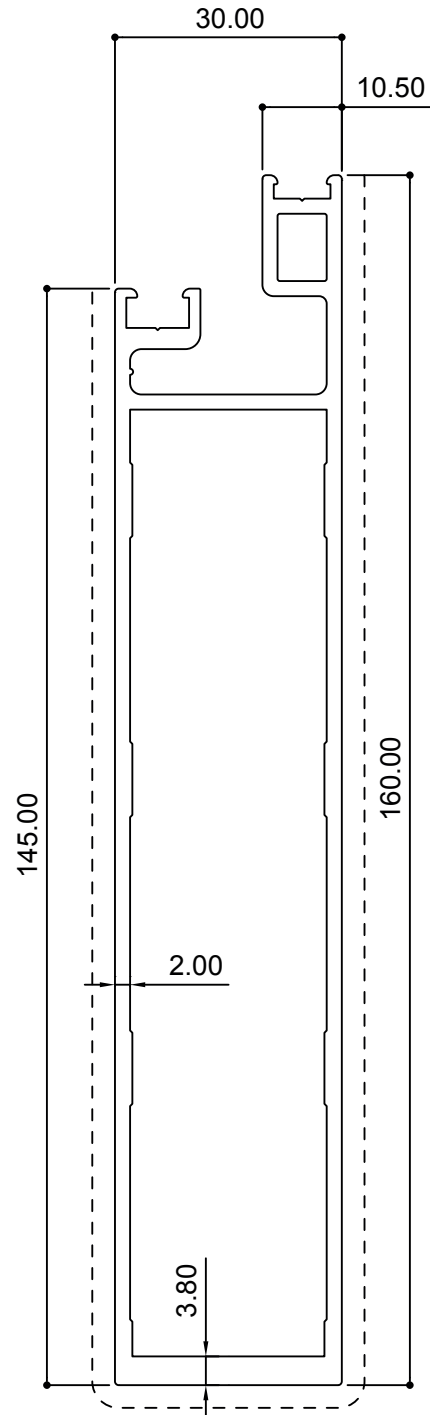
* For export, not recommended for GCC usage



* For export, not recommended for GCC usage



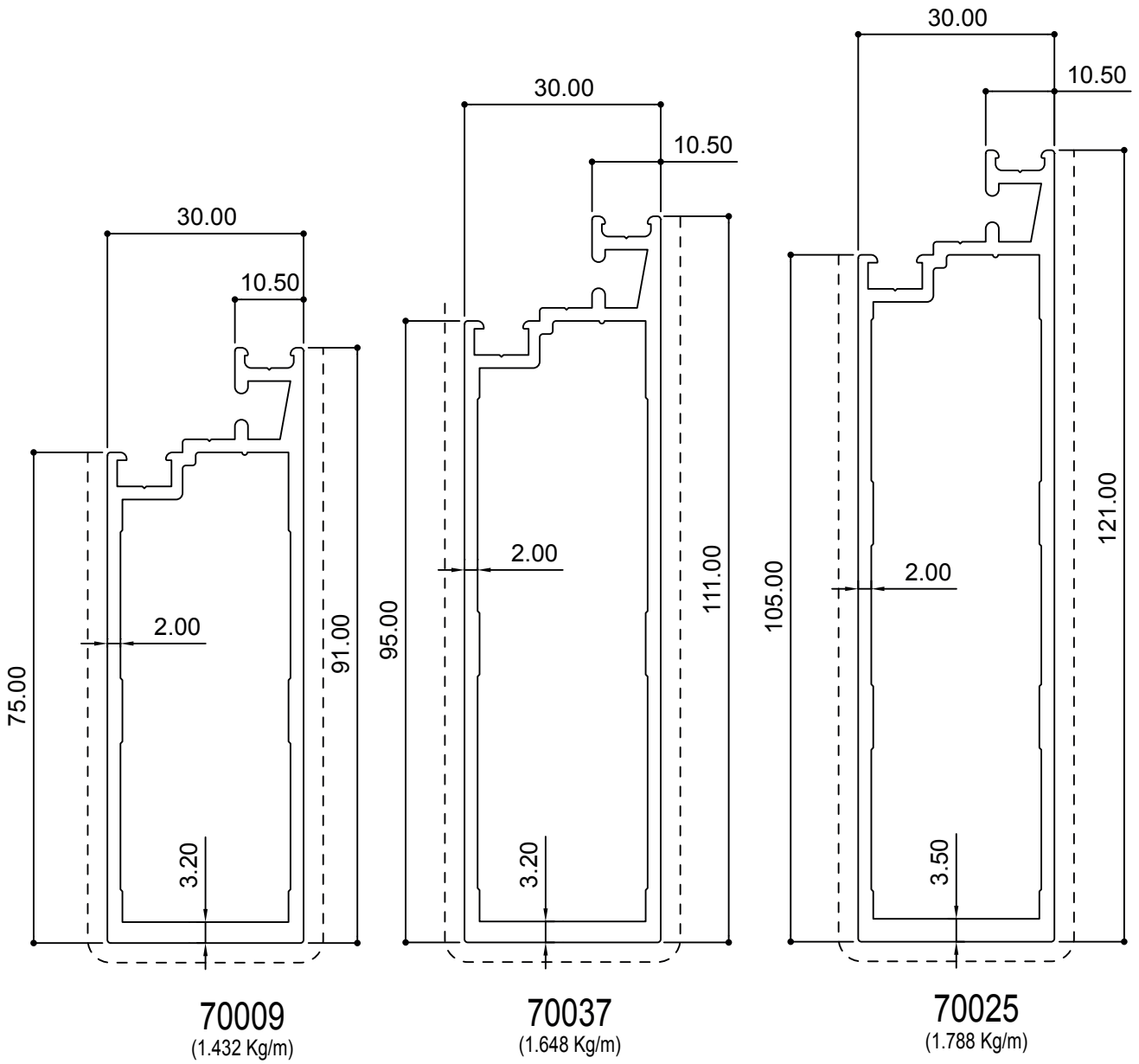
70035
(1.983 Kg/m)



70036
(2.350 Kg/m)

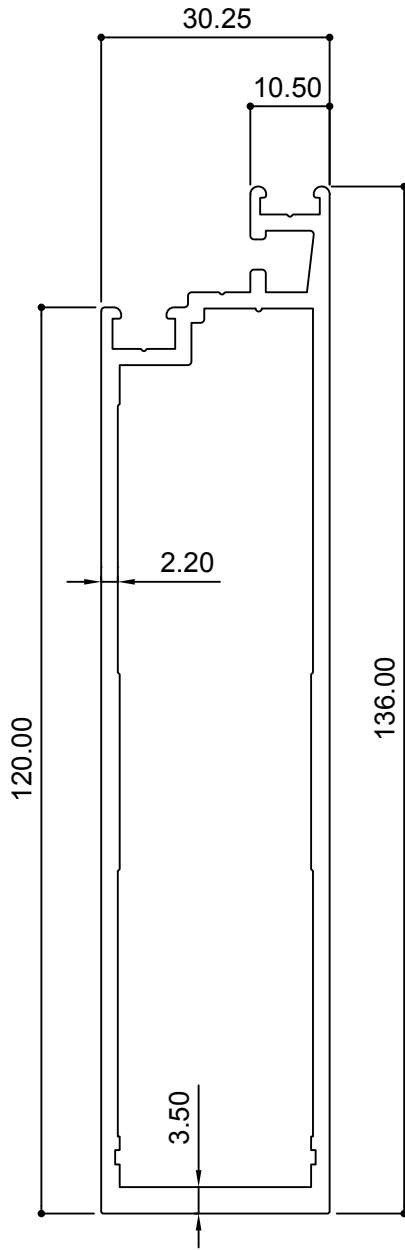
* For export, not recommended for GCC usage

Curtain Wall

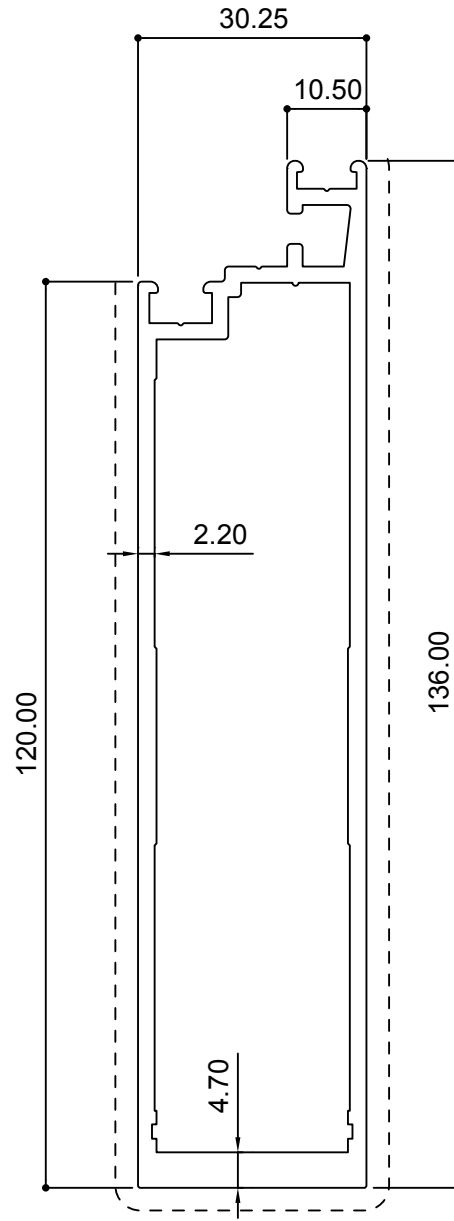


* For export, not recommended for GCC usage

Curtain Wall



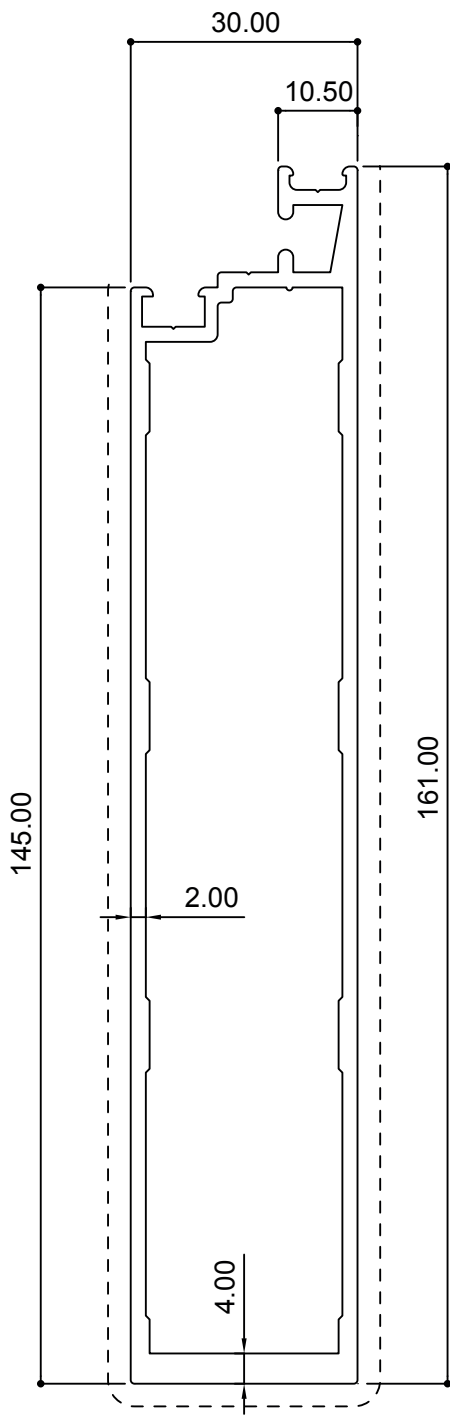
70069
(2.082 Kg/m)



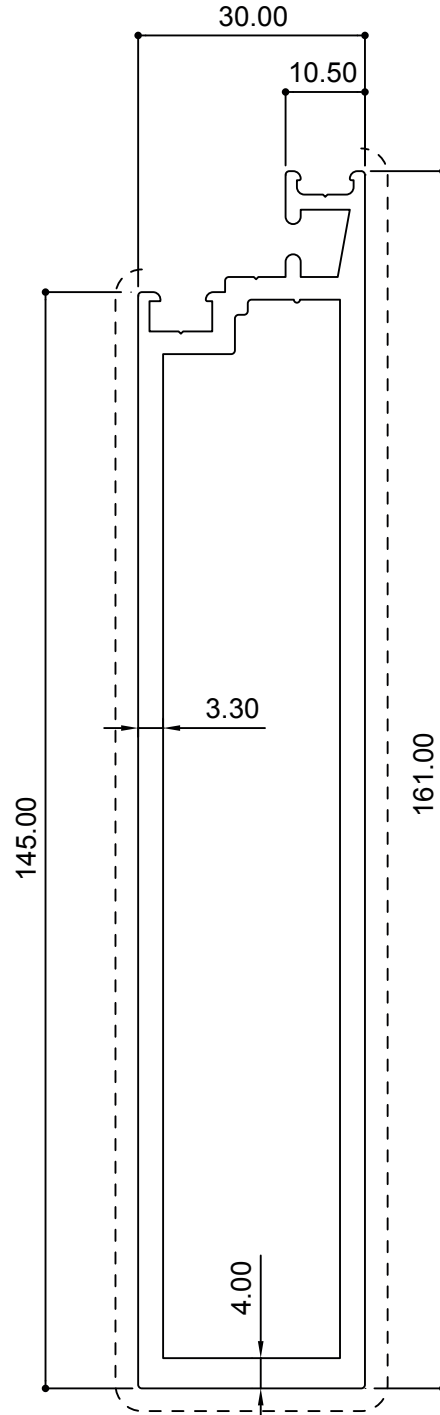
26414
(2.641 Kg/m)

* For export, not recommended for GCC usage

Curtain Wall



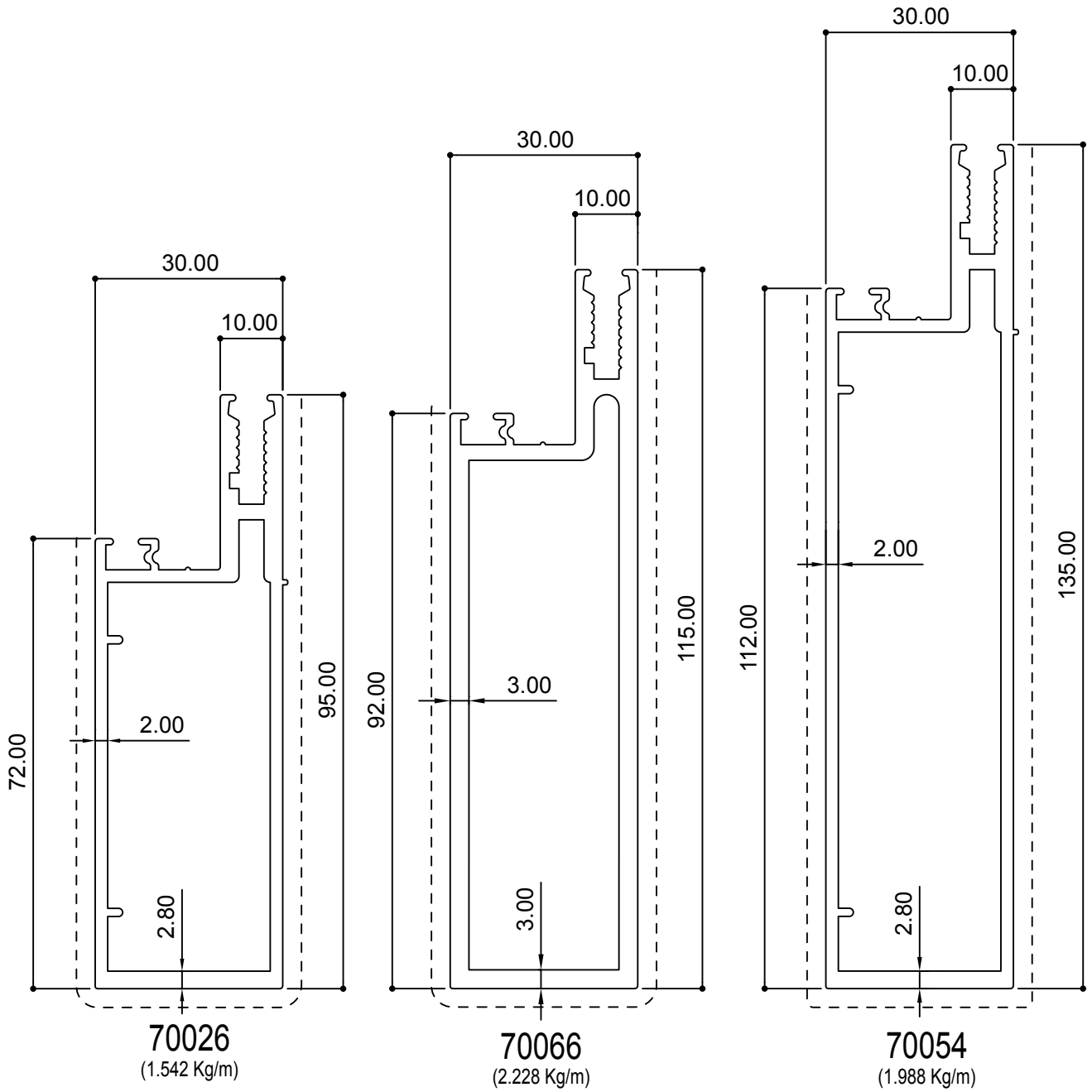
26223
(2.297 Kg/m)



70047
(3.259 Kg/m)

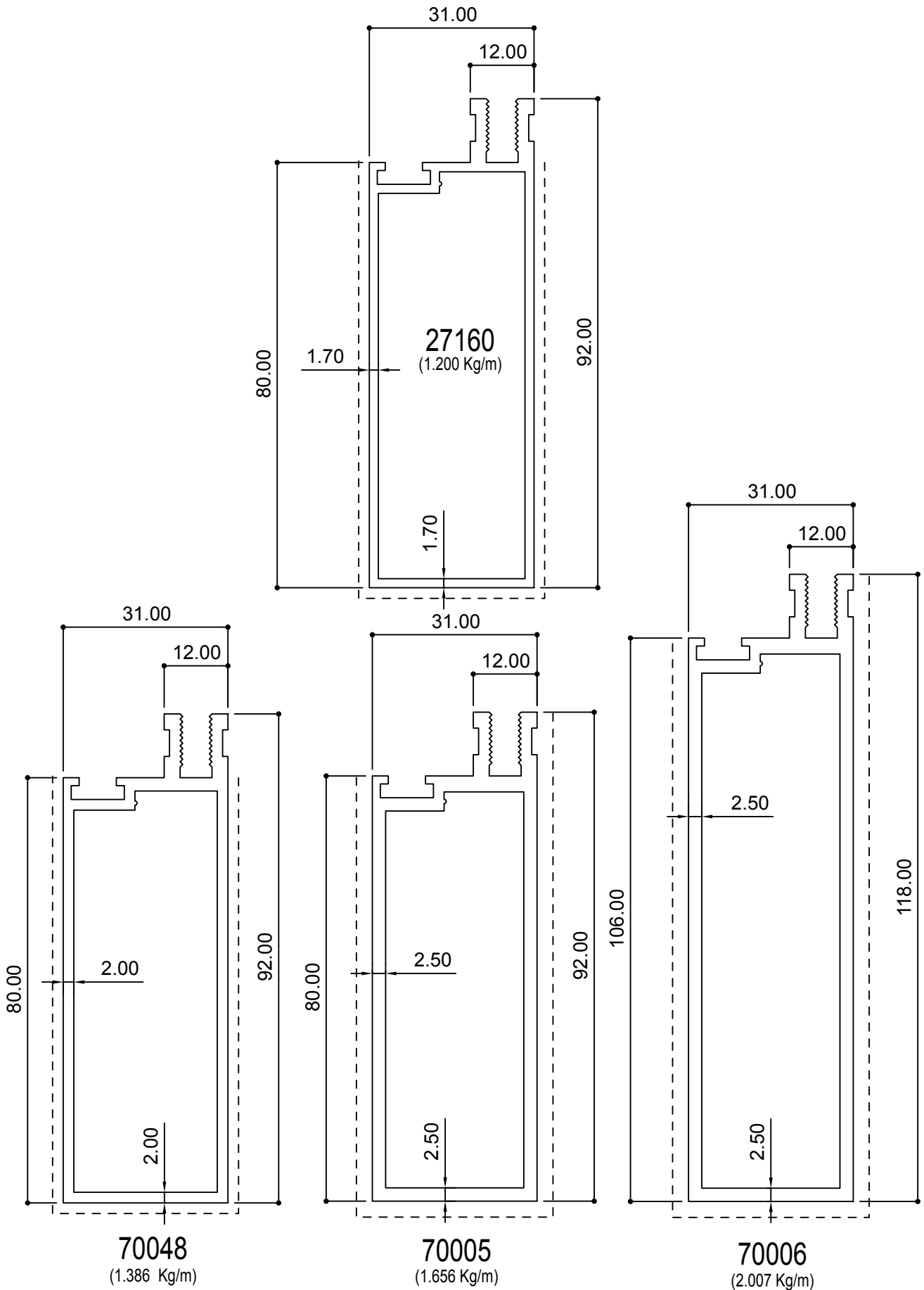
* For export, not recommended for GCC usage

Curtain Wall



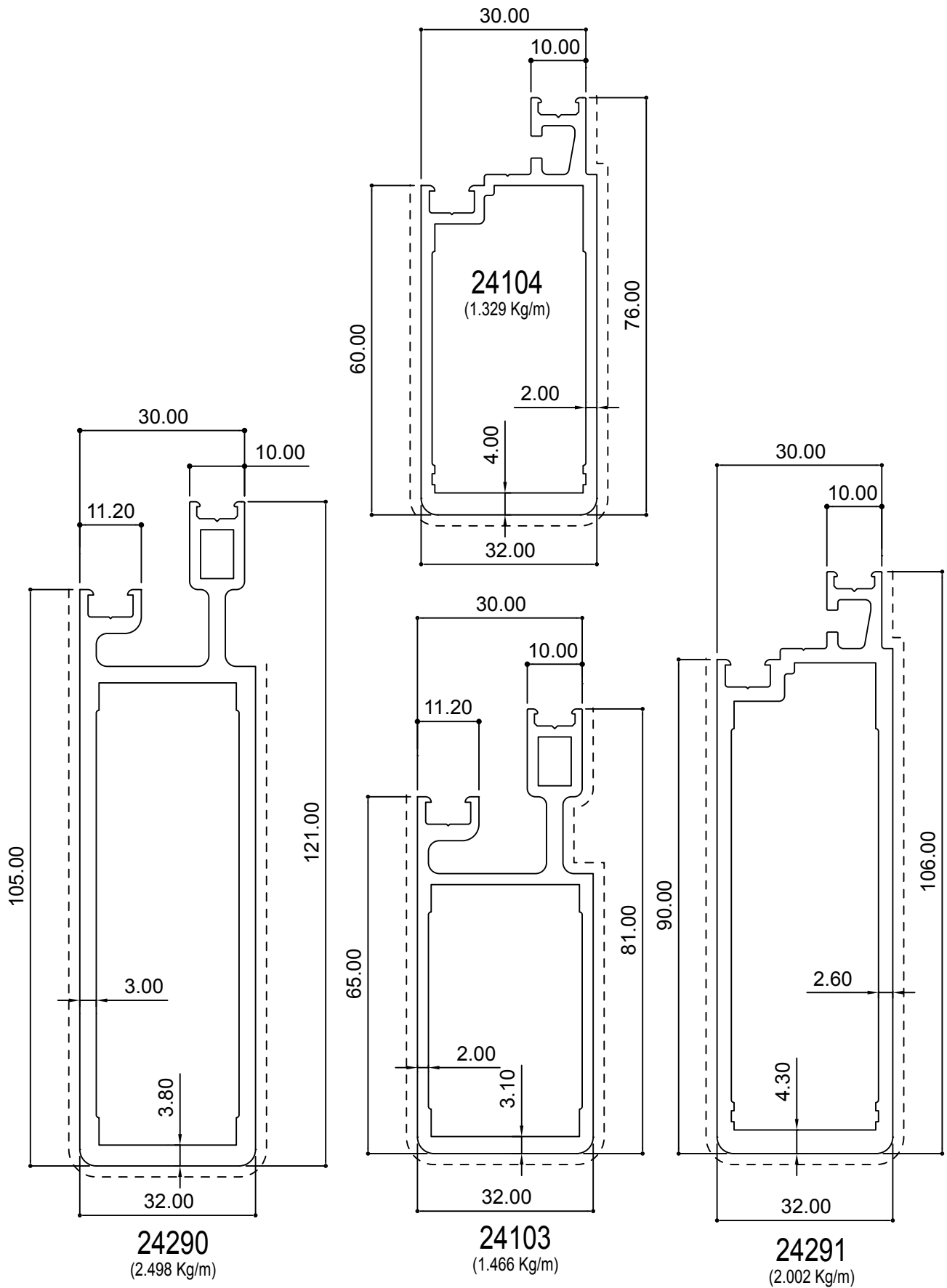
* For export, not recommended for GCC usage

Curtain Wall



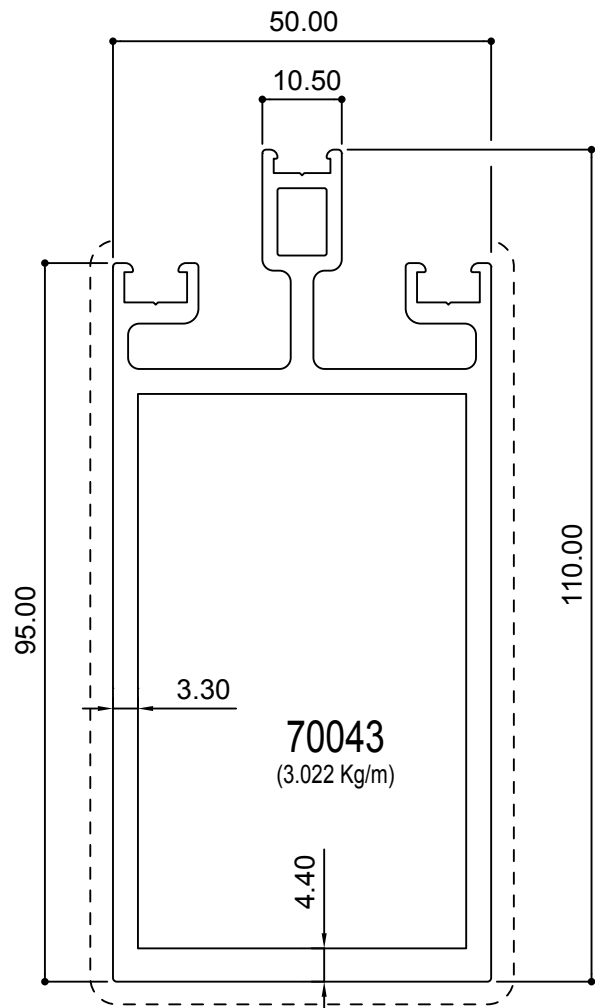
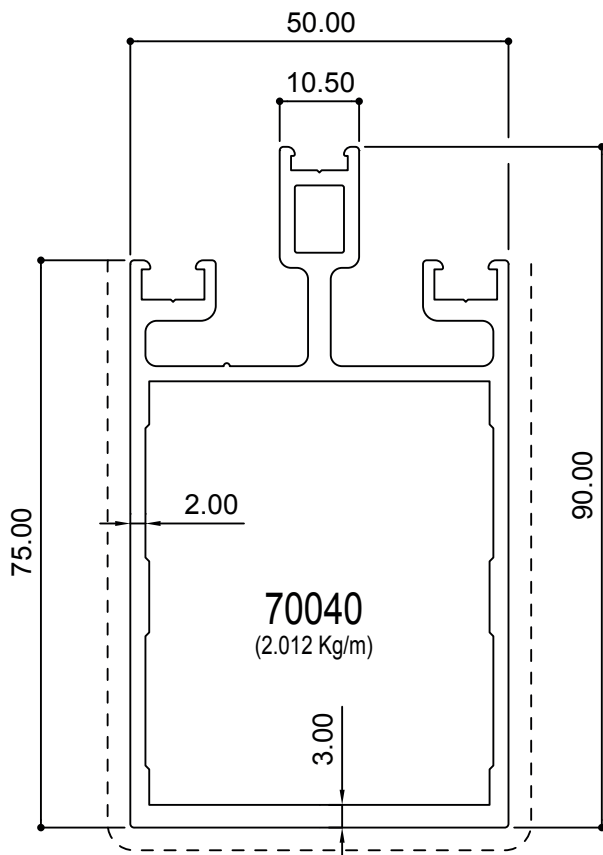
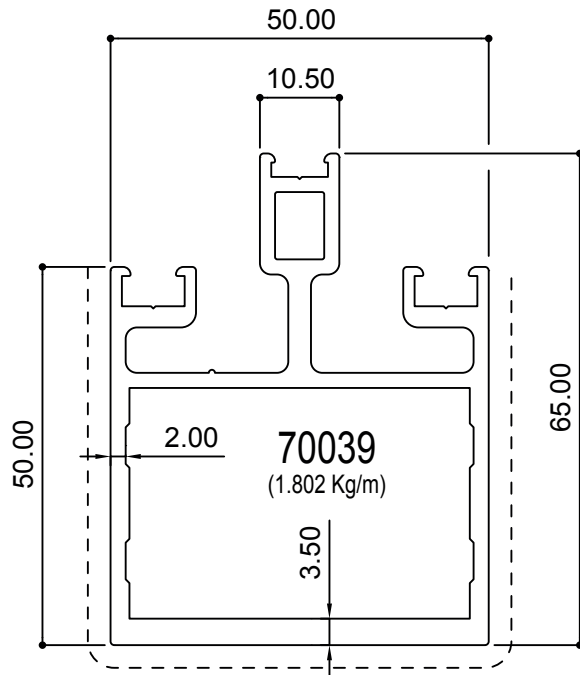
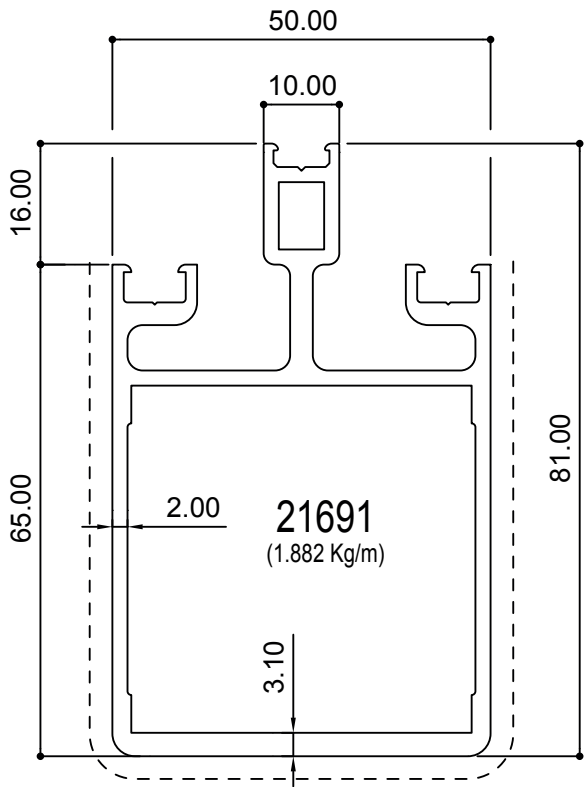
* For export, not recommended for GCC usage

Curtain Wall



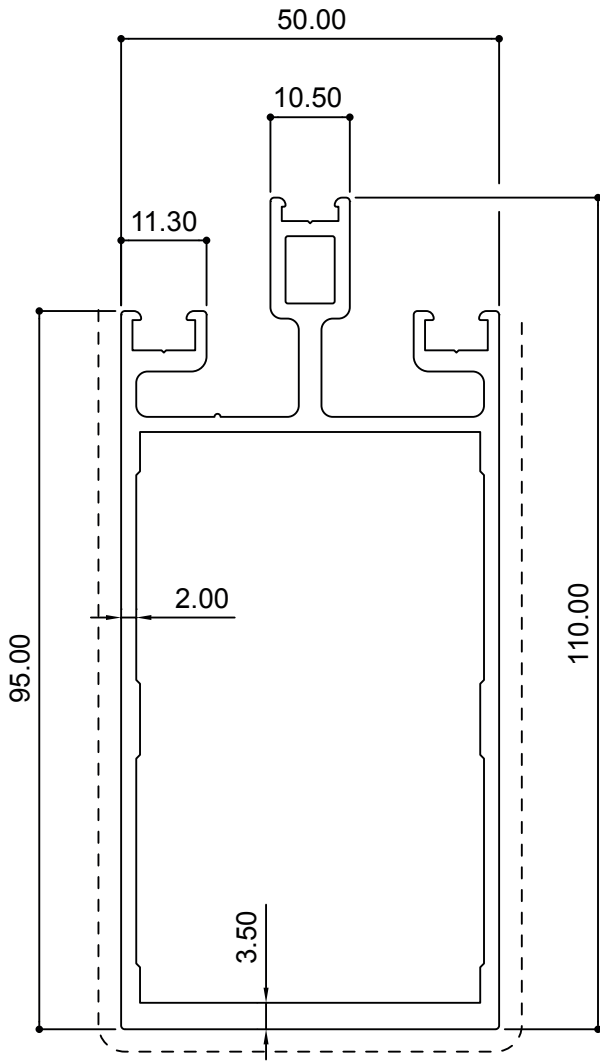
* For export, not recommended for GCC usage

Curtain Wall

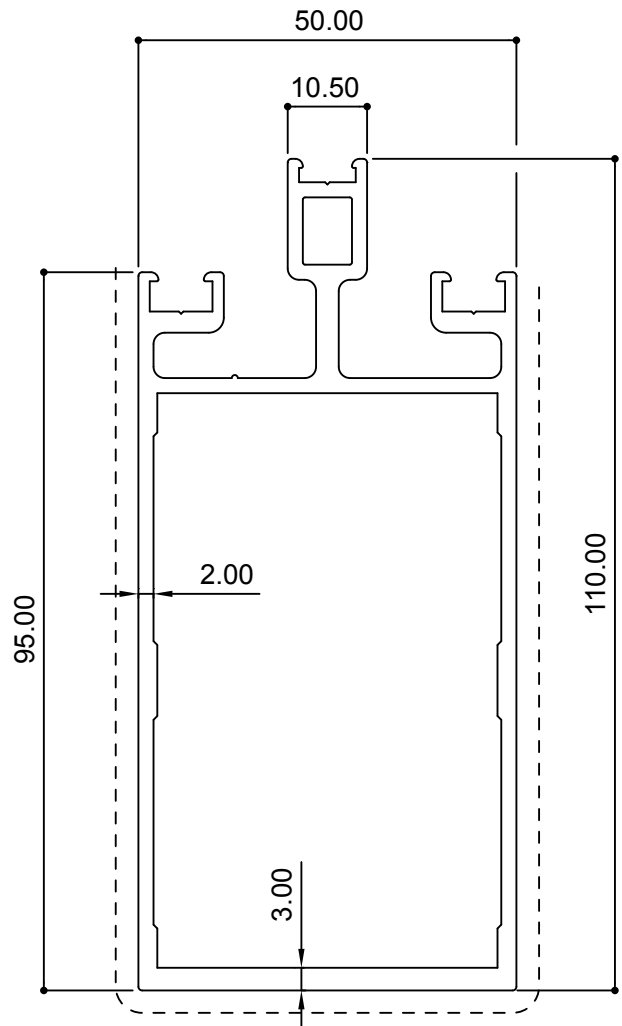


* For export, not recommended for GCC usage

Curtain Wall

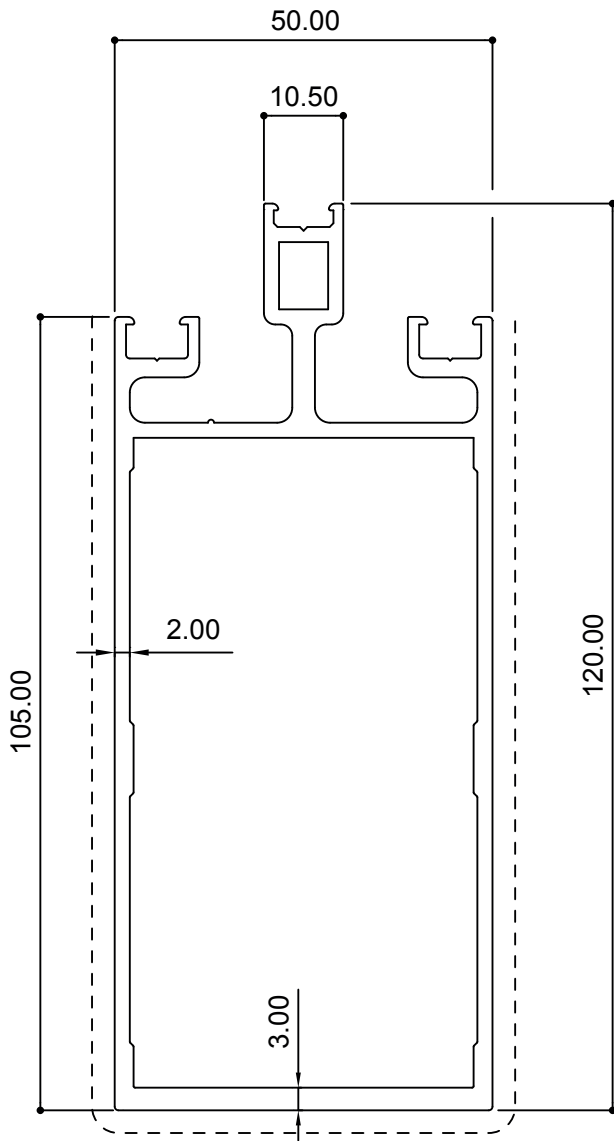


70016
(2.289 Kg/m)

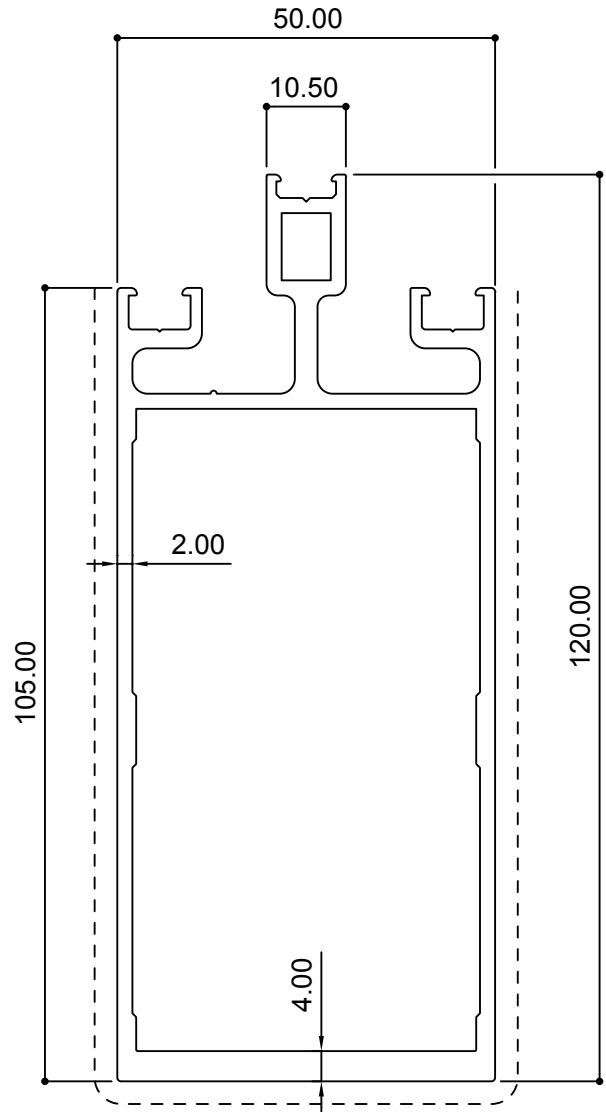


70072
(2.229 Kg/m)

* For export, not recommended for GCC usage



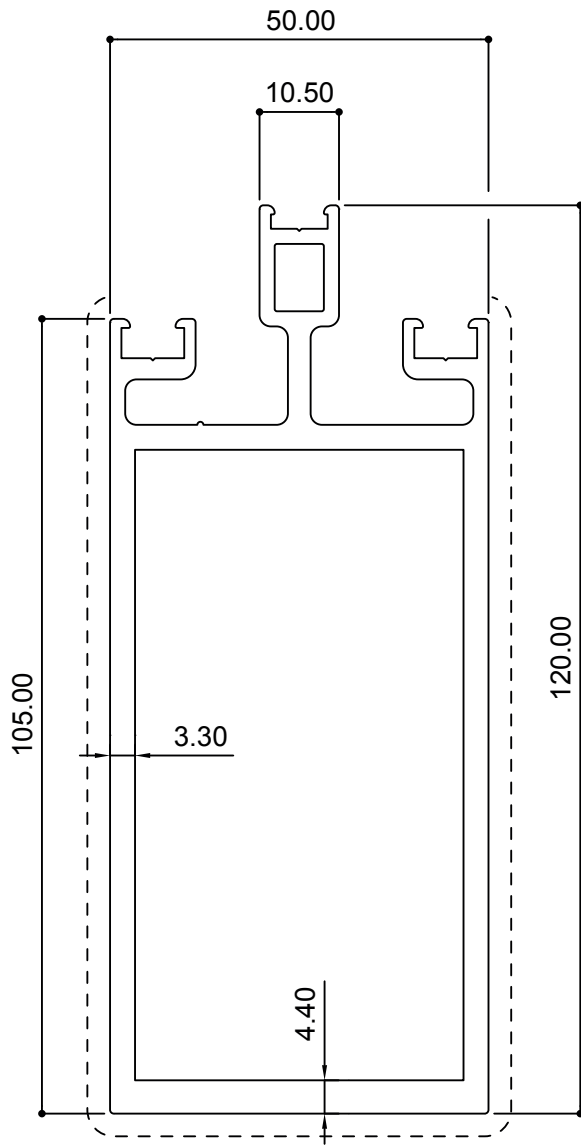
70067
(2.320 Kg/m)



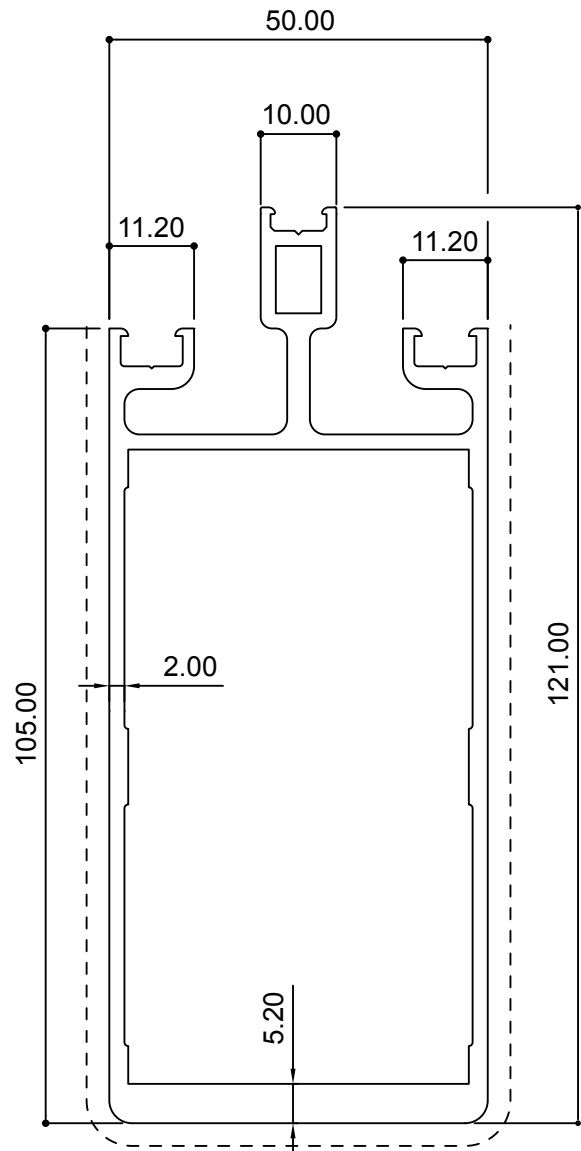
70015
(2.442 Kg/m)

* For export, not recommended for GCC usage

Curtain Wall

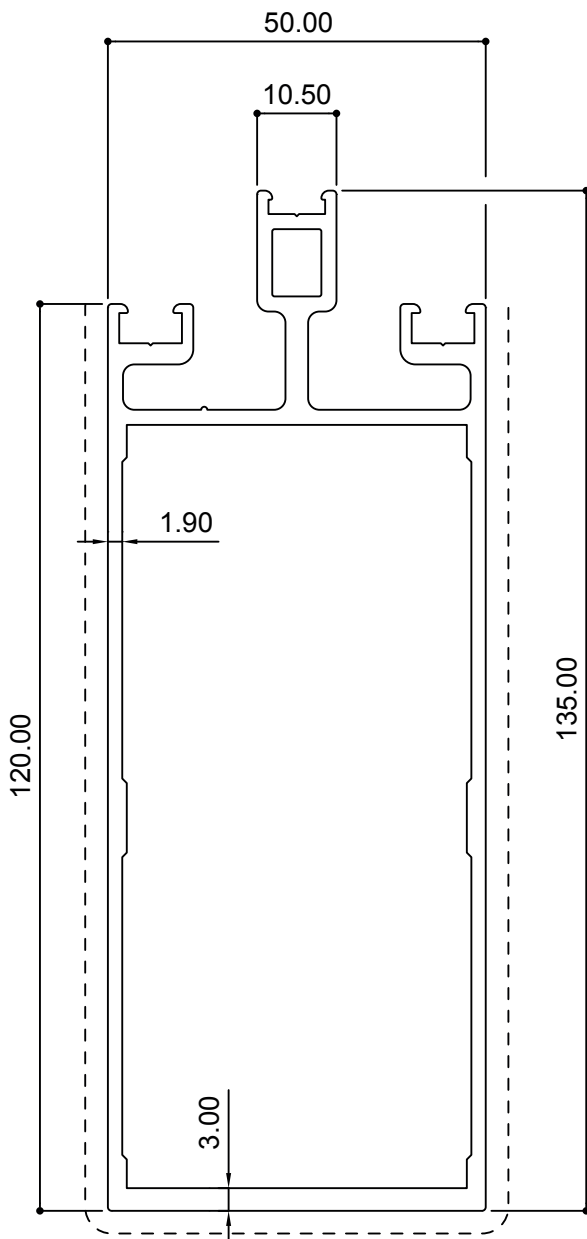


70044
(3.200 Kg/m)

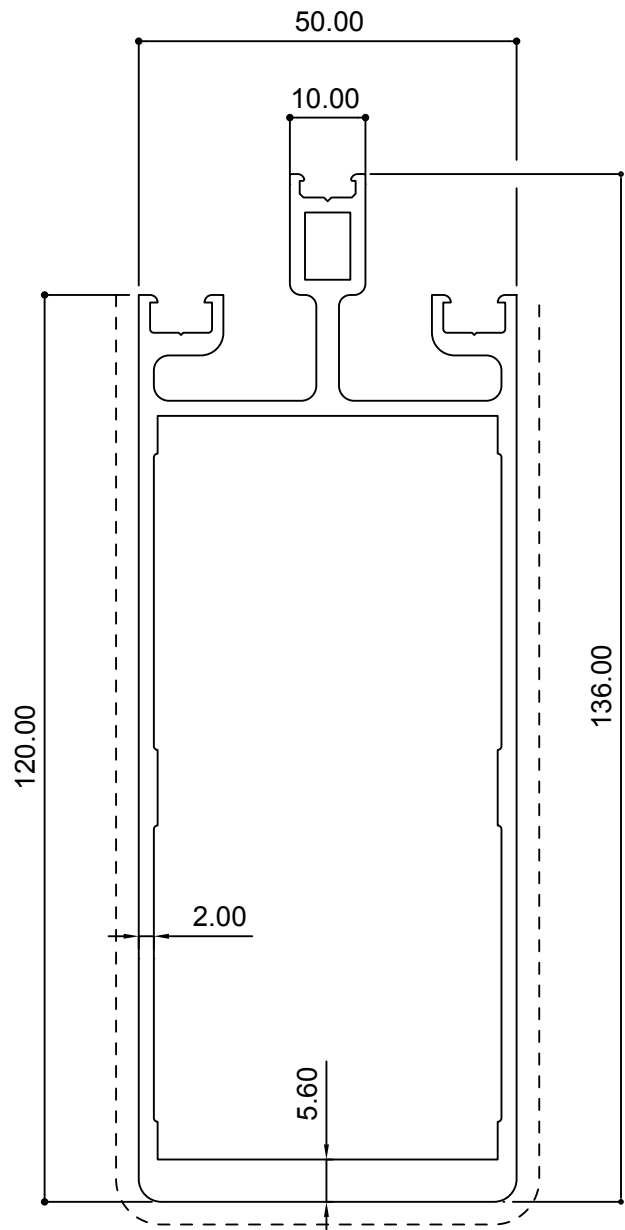


21601
(2.602 Kg/m)

* For export, not recommended for GCC usage



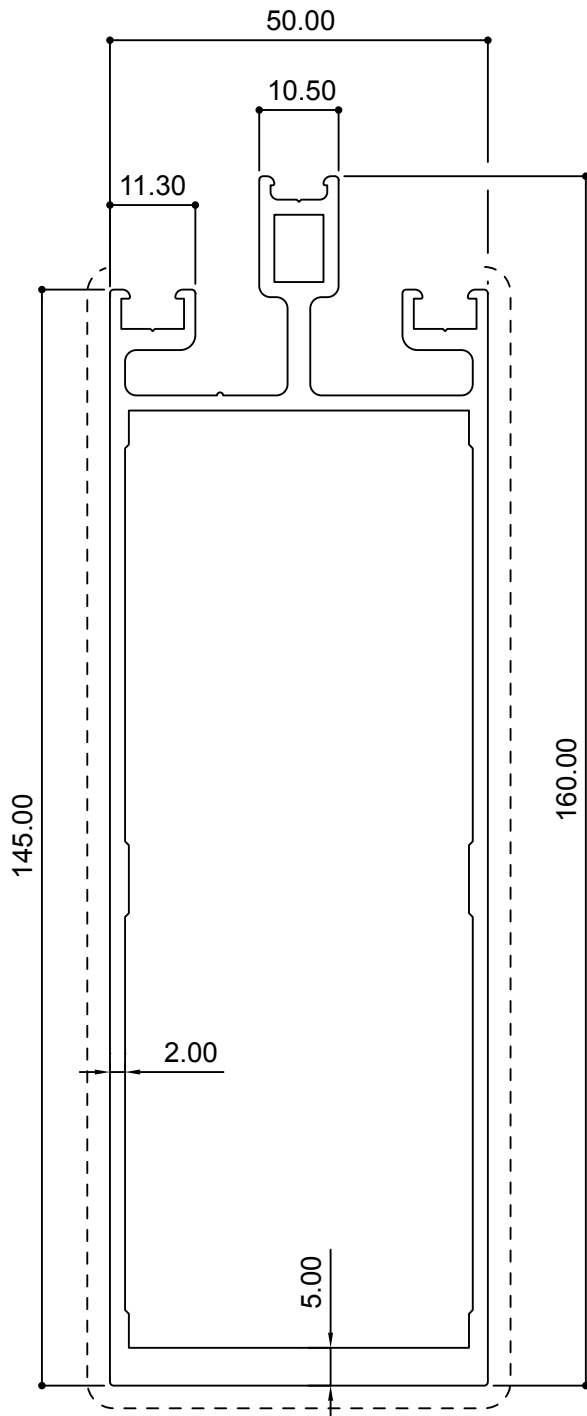
70041
(2.448 Kg/m)



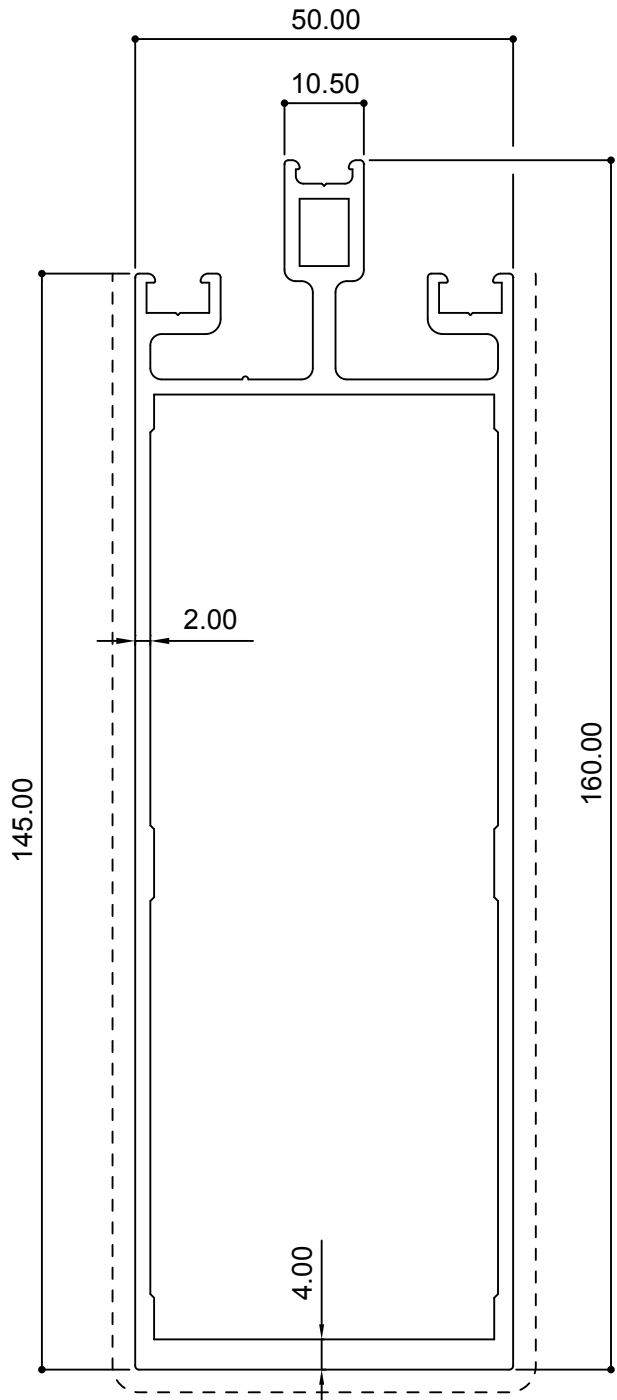
21669
(2.814 Kg/m)

* For export, not recommended for GCC usage

Curtain Wall



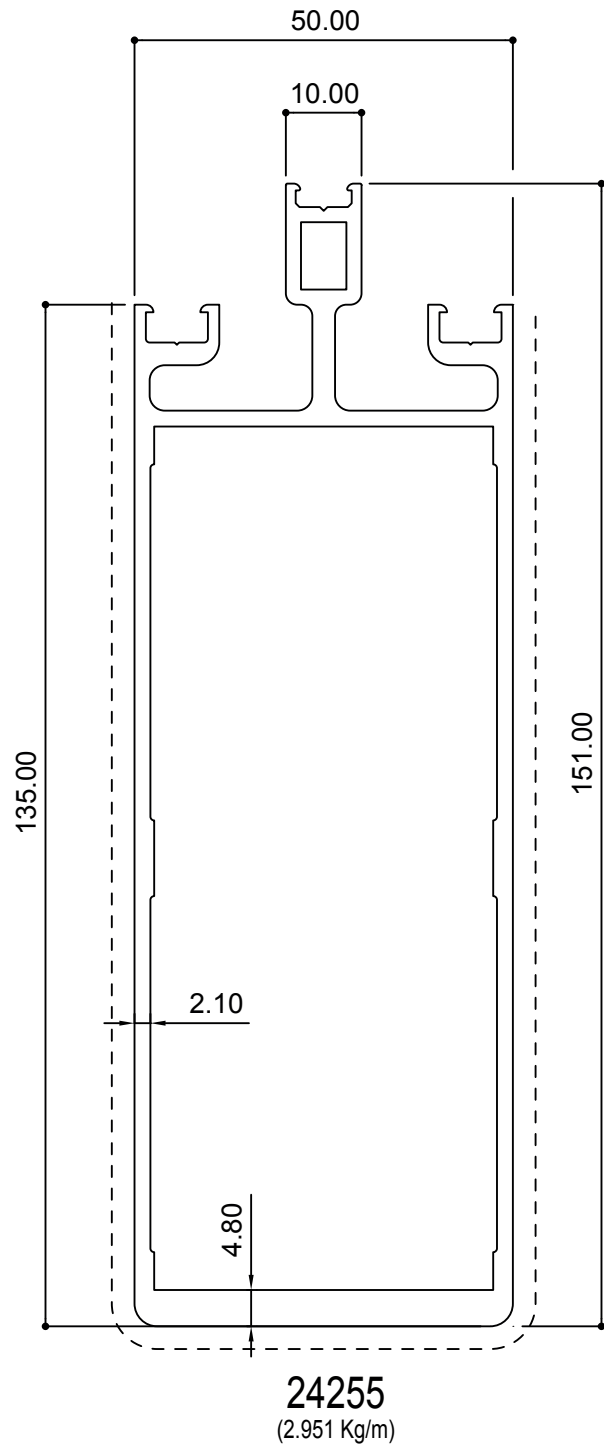
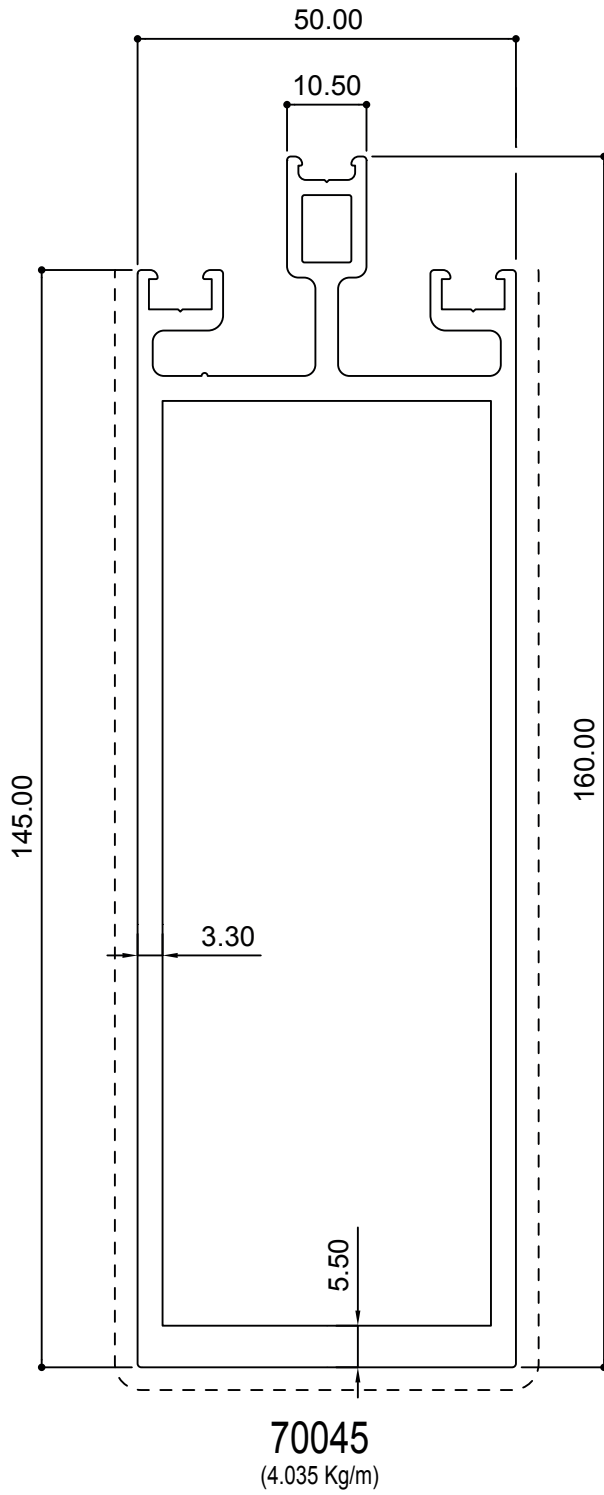
70029
(3.013 Kg/m)



70073
(2.892 Kg/m)

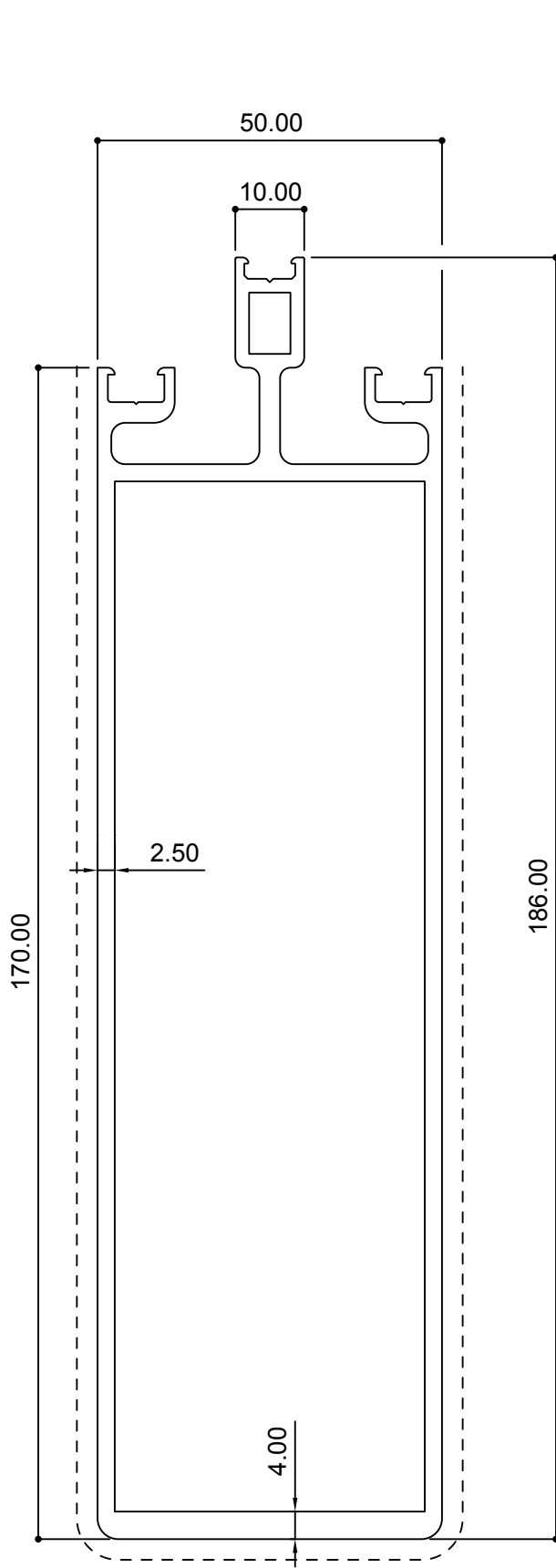
* For export, not recommended for GCC usage

Curtain Wall

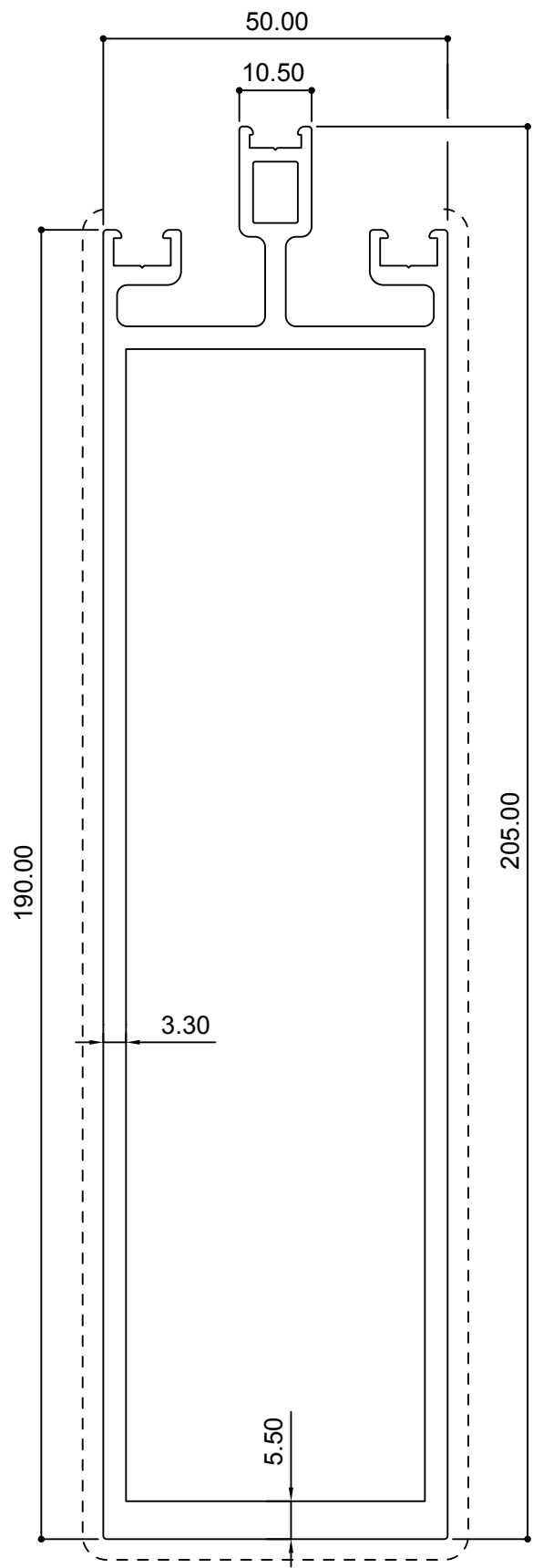


* For export, not recommended for GCC usage

Curtain Wall



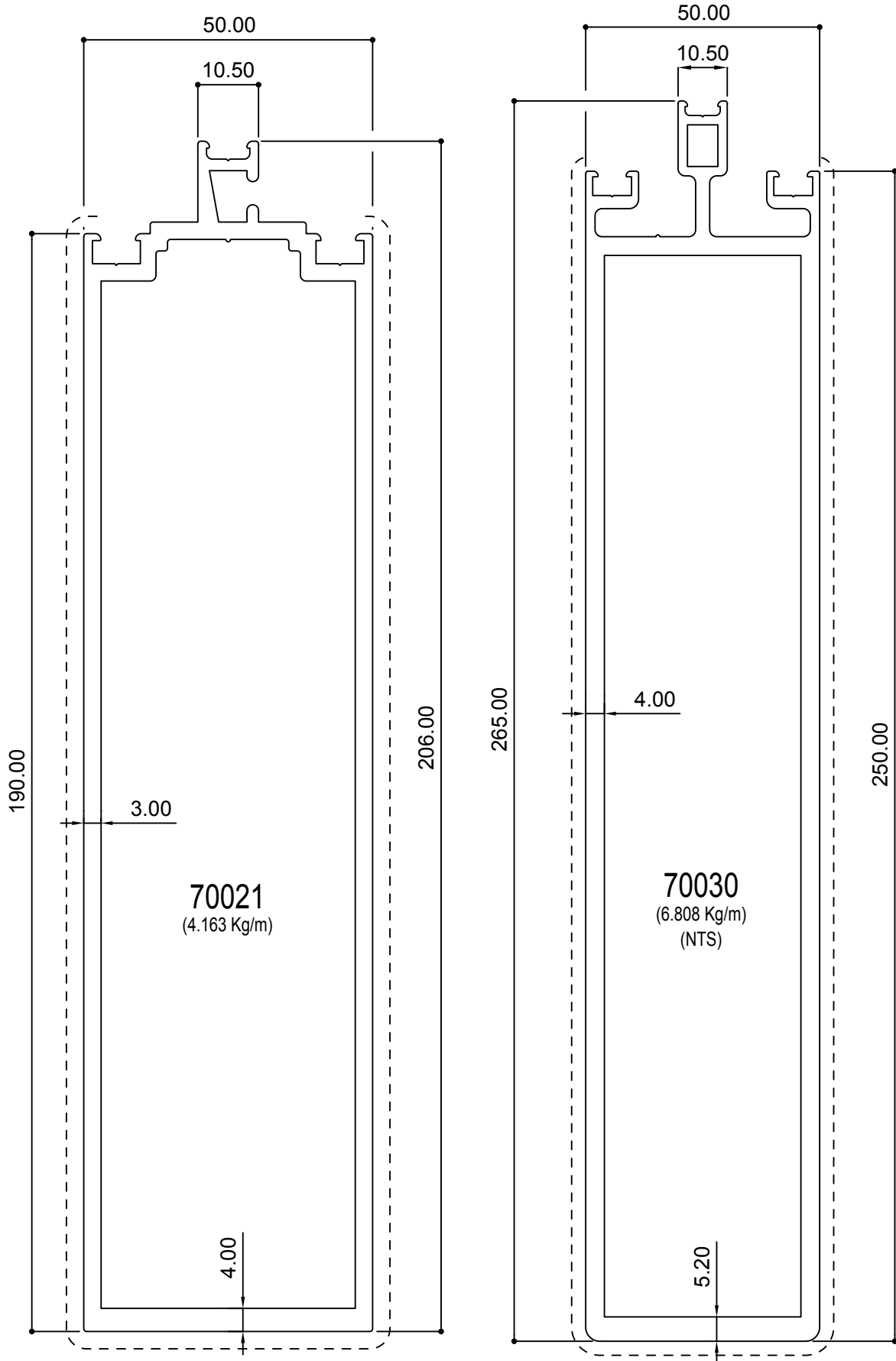
21680
(3.566 Kg/m)



70042
(4.843 Kg/m)

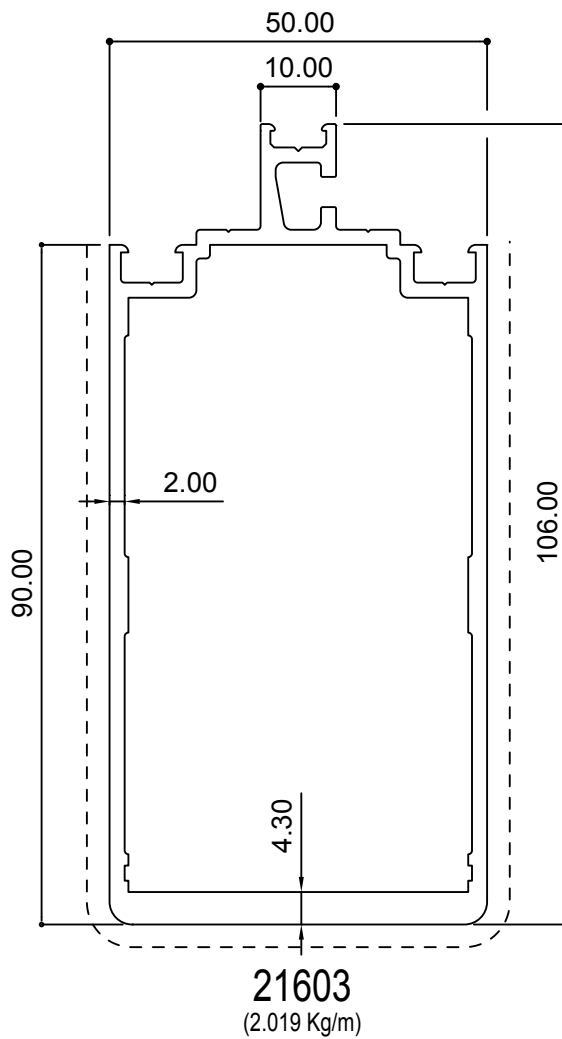
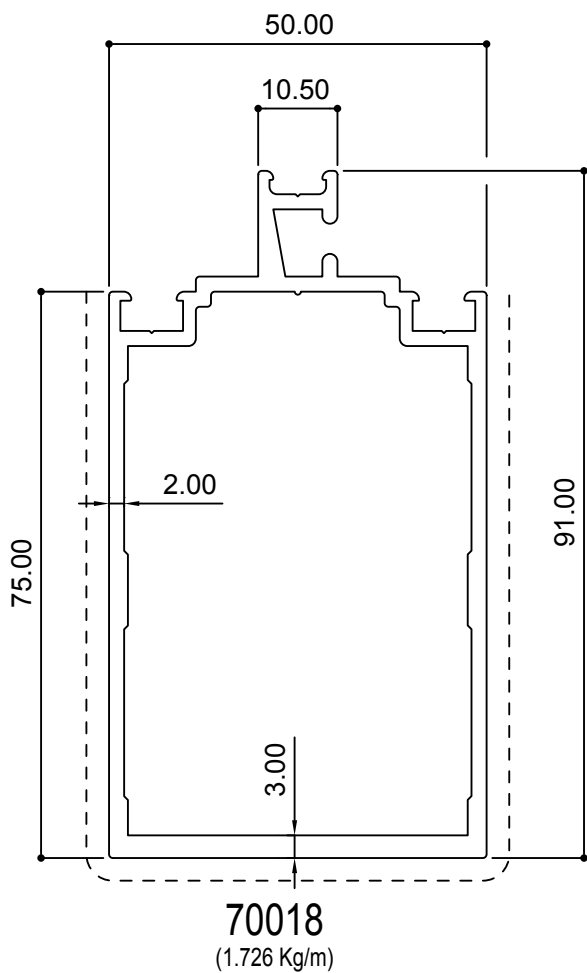
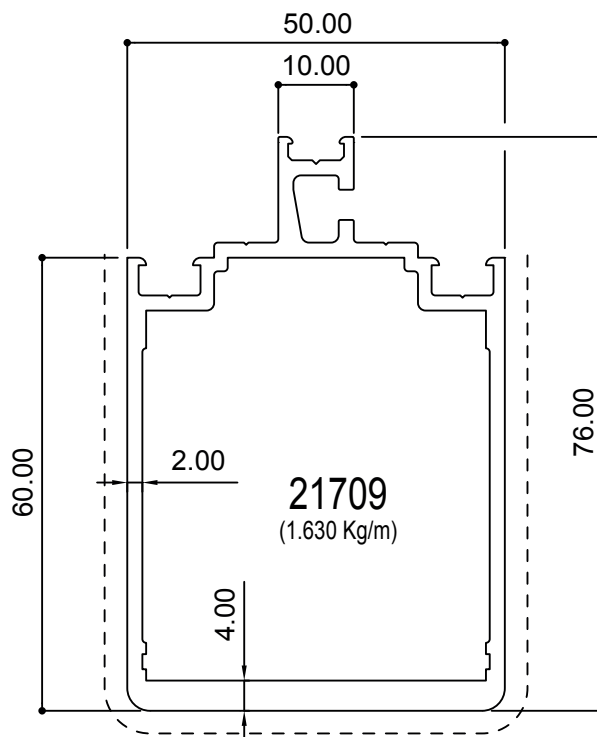
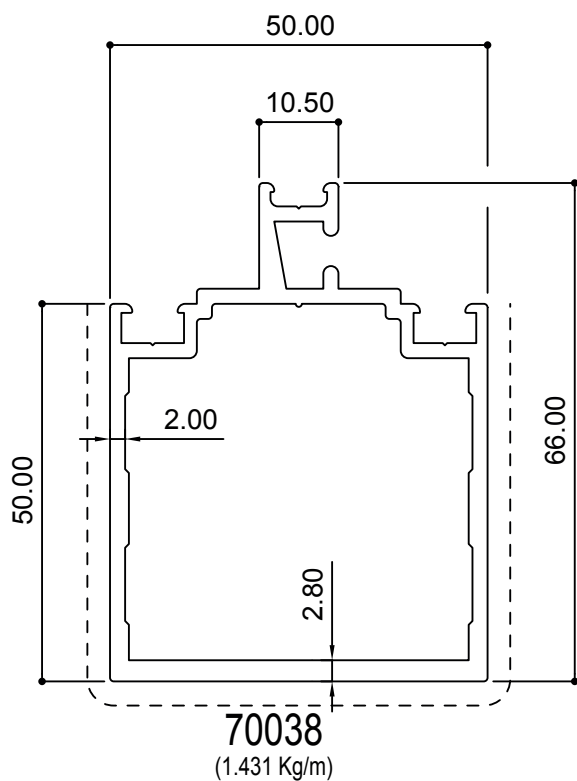
* For export, not recommended for GCC usage

Curtain Wall



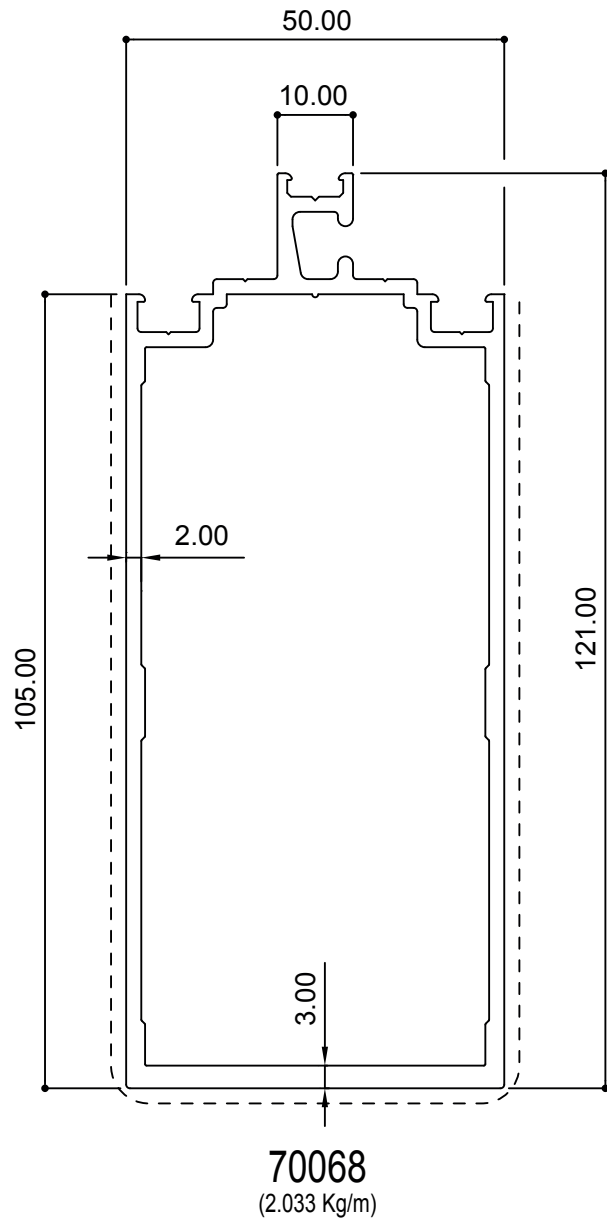
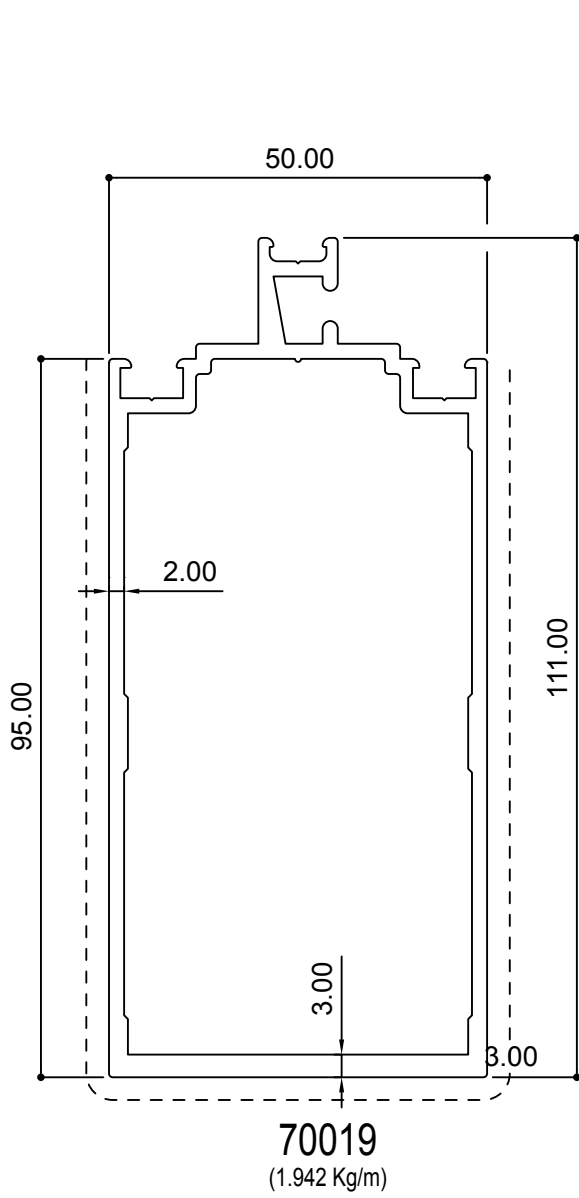
* For export, not recommended for GCC usage

Curtain Wall



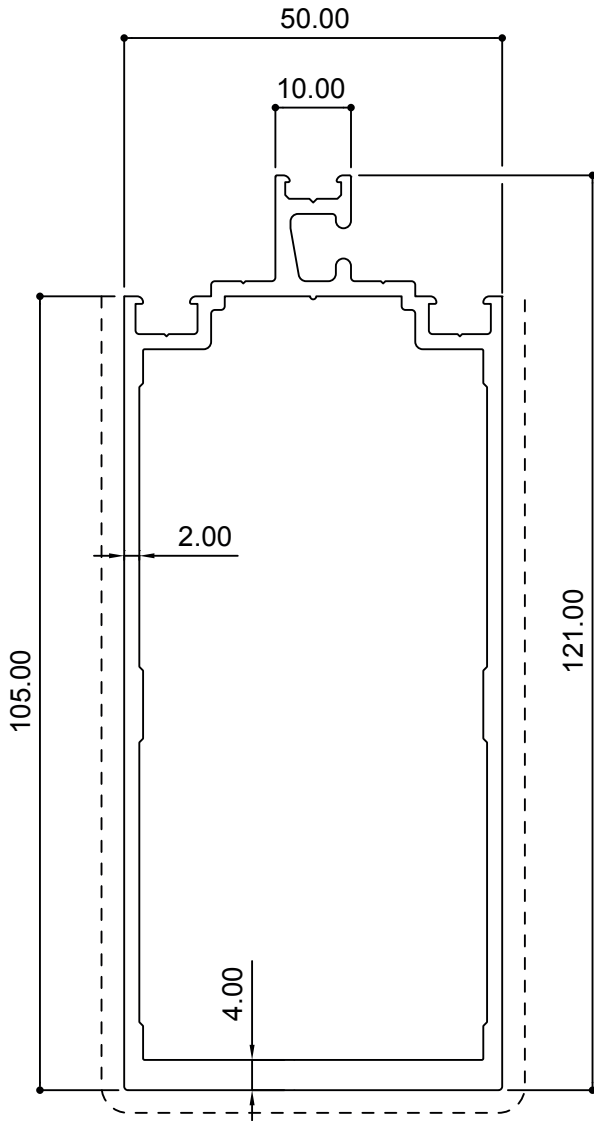
* For export, not recommended for GCC usage

Curtain Wall

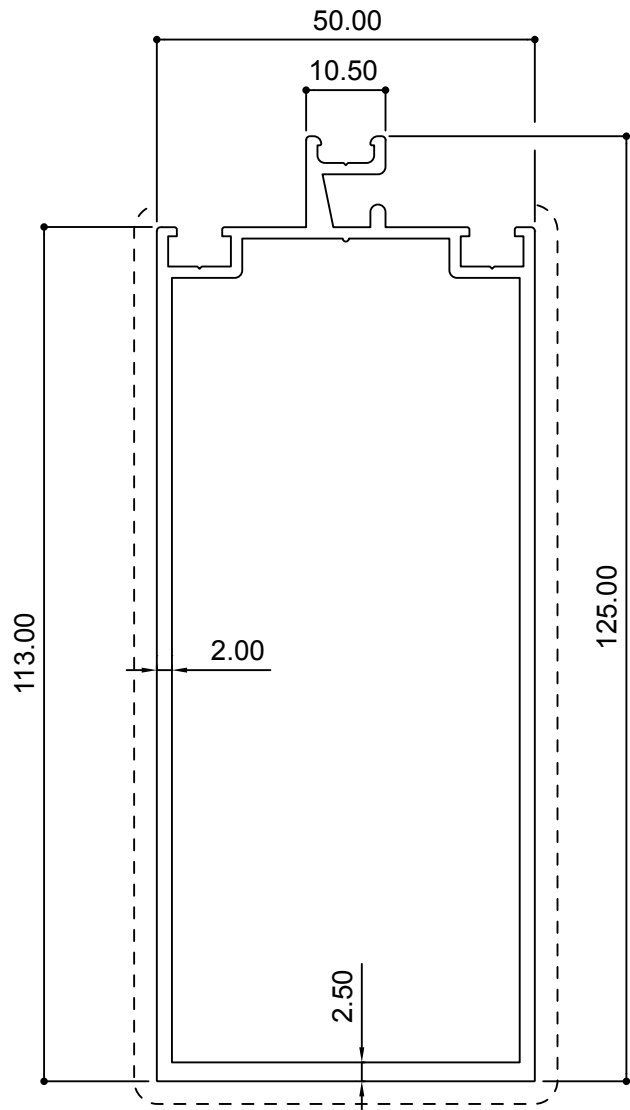


* For export, not recommended for GCC usage

Curtain Wall

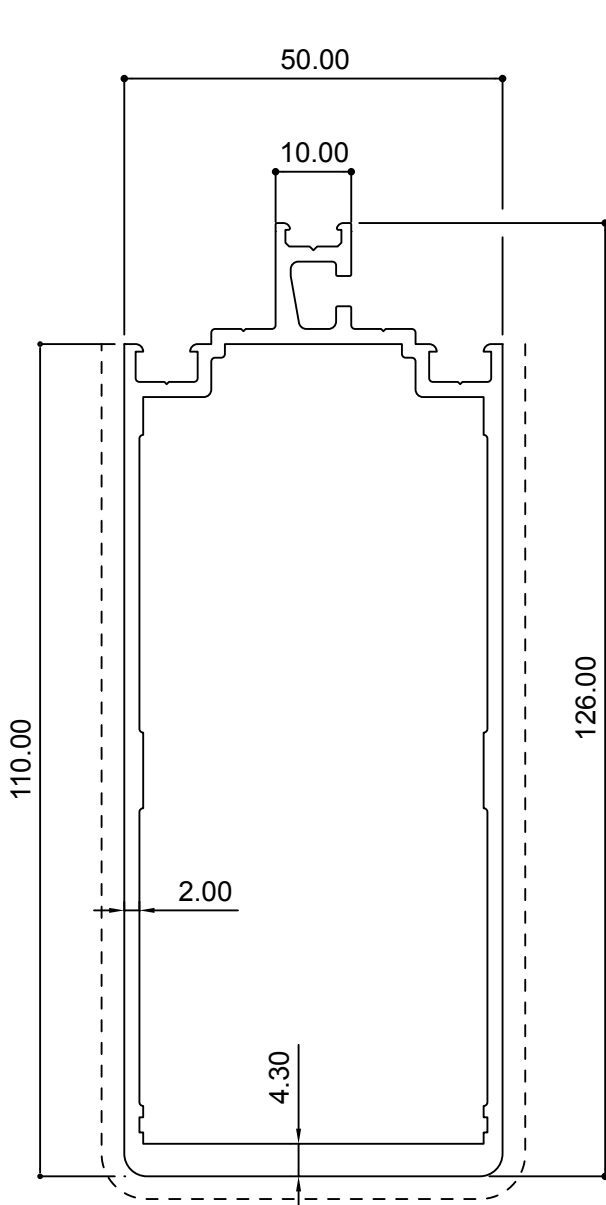


70014
(2.155 Kg/m)

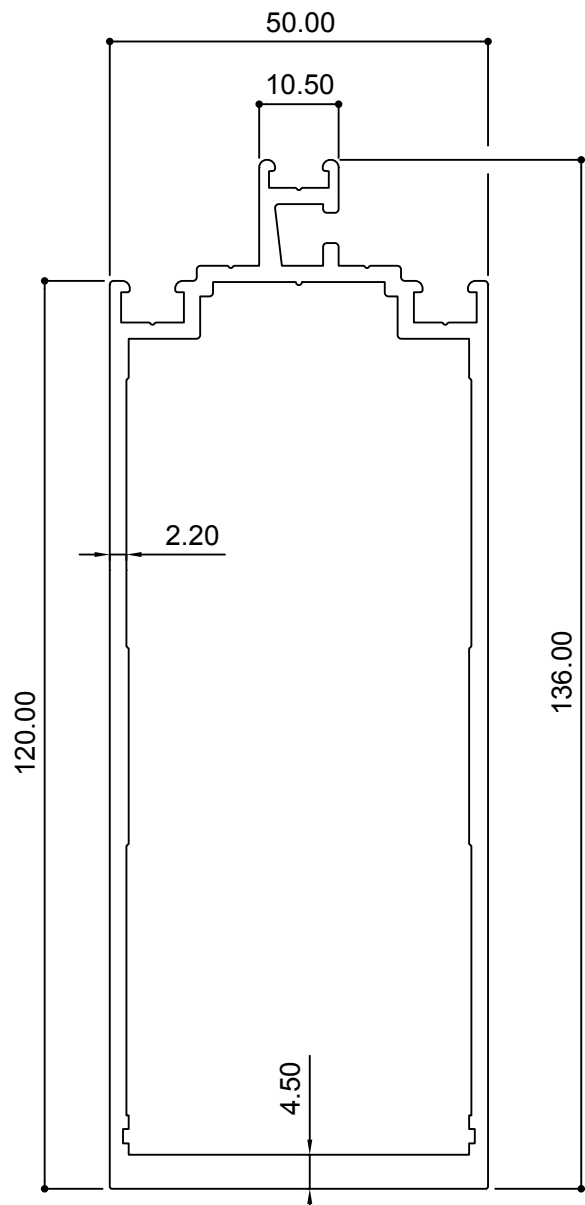


70060
(1.901 Kg/m)

* For export, not recommended for GCC usage



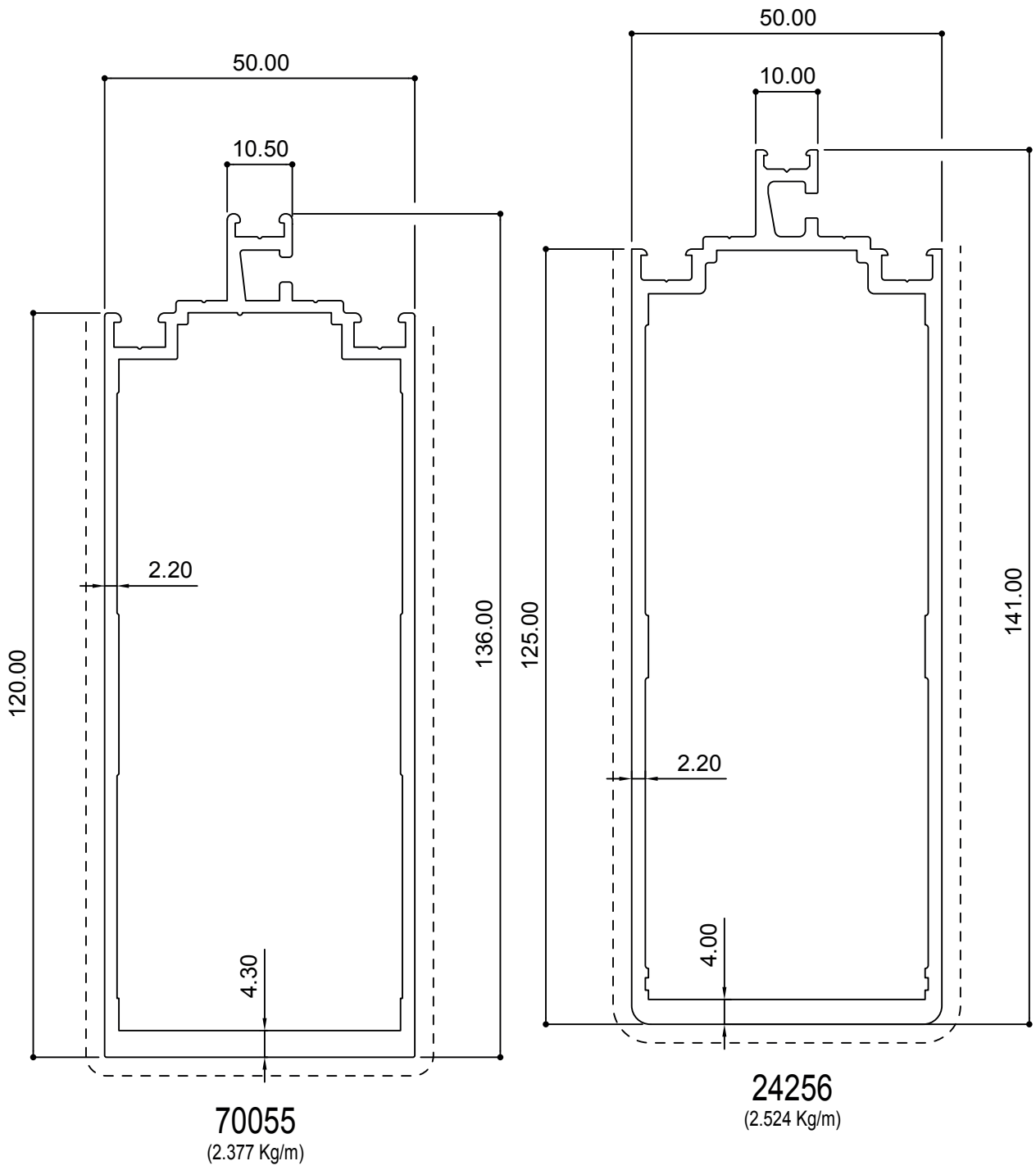
21670
(2.235 Kg/m)



26413
(2.544 Kg/m)

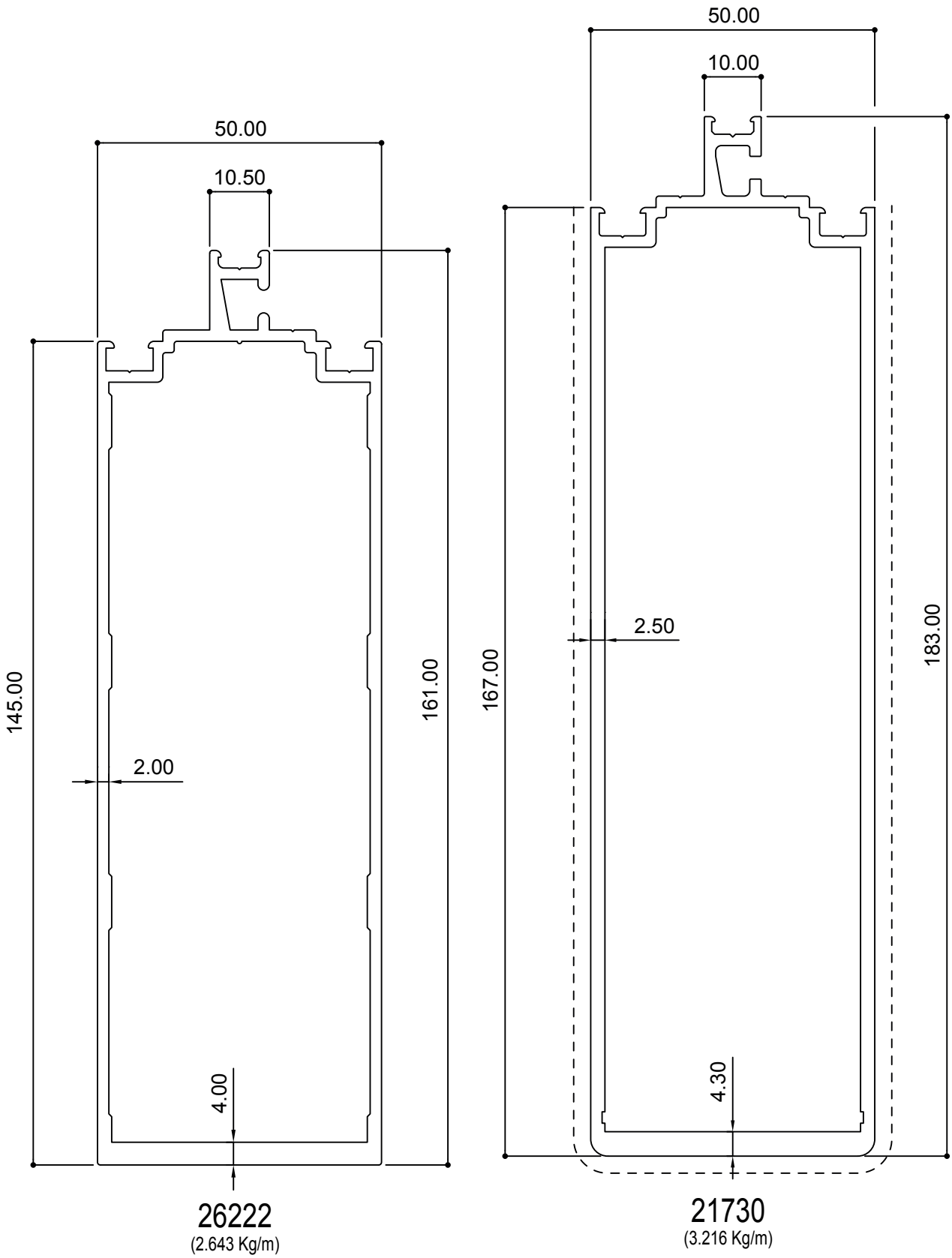
* For export, not recommended for GCC usage

Curtain Wall



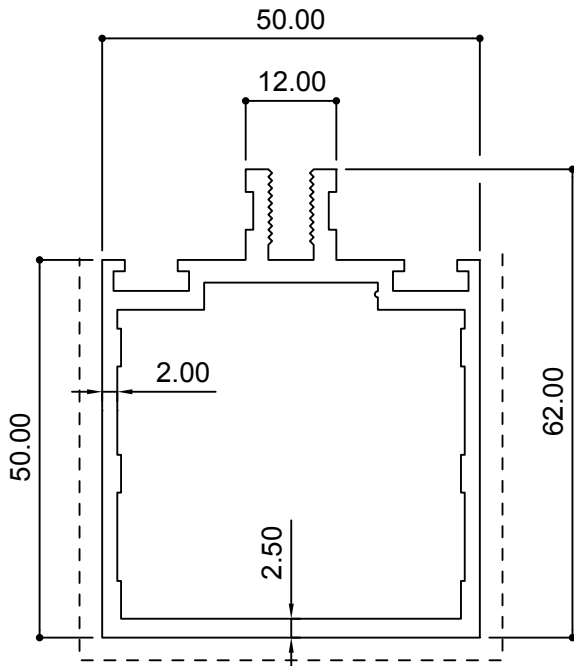
* For export, not recommended for GCC usage

Curtain Wall

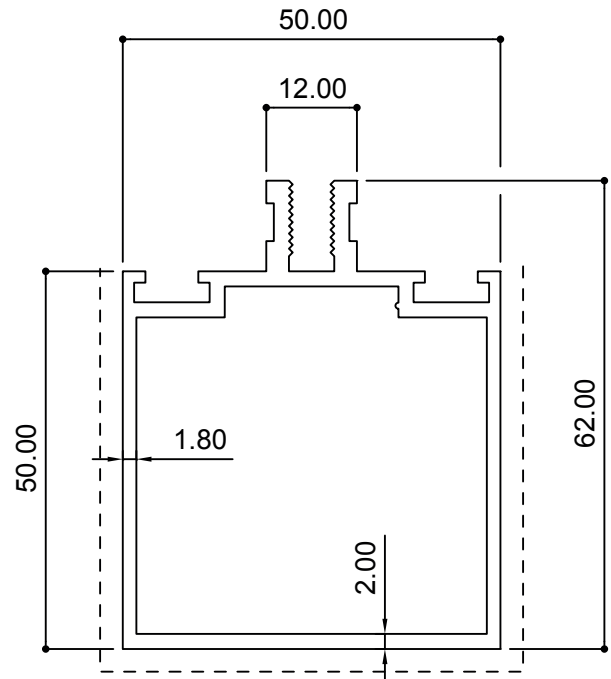


* For export, not recommended for GCC usage

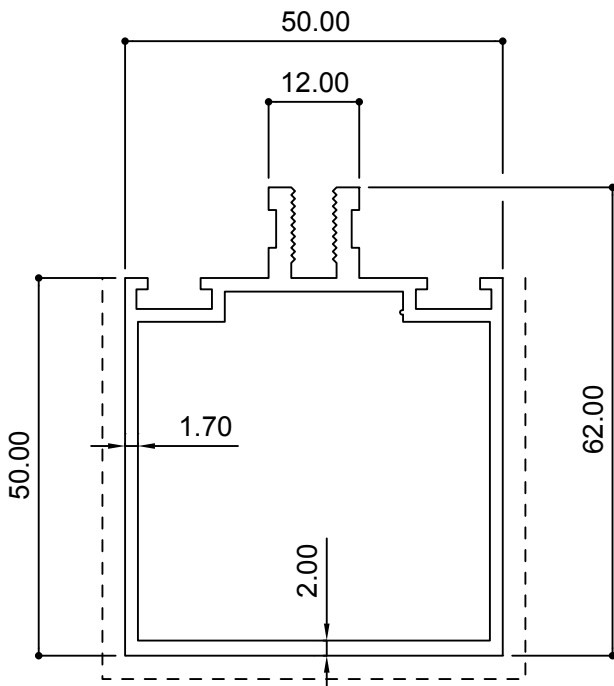
Curtain Wall



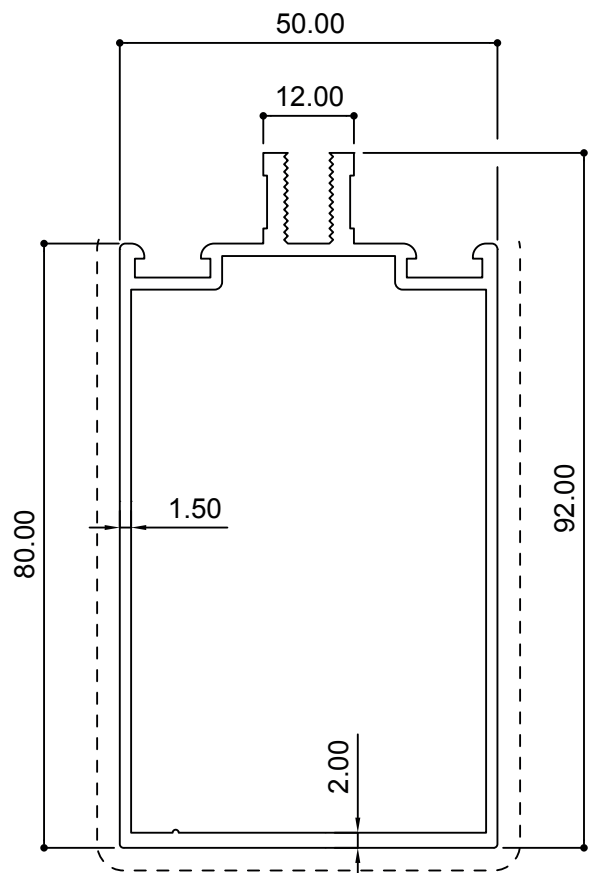
70004
(1.472 Kg/m)



70011
(1.231 Kg/m)



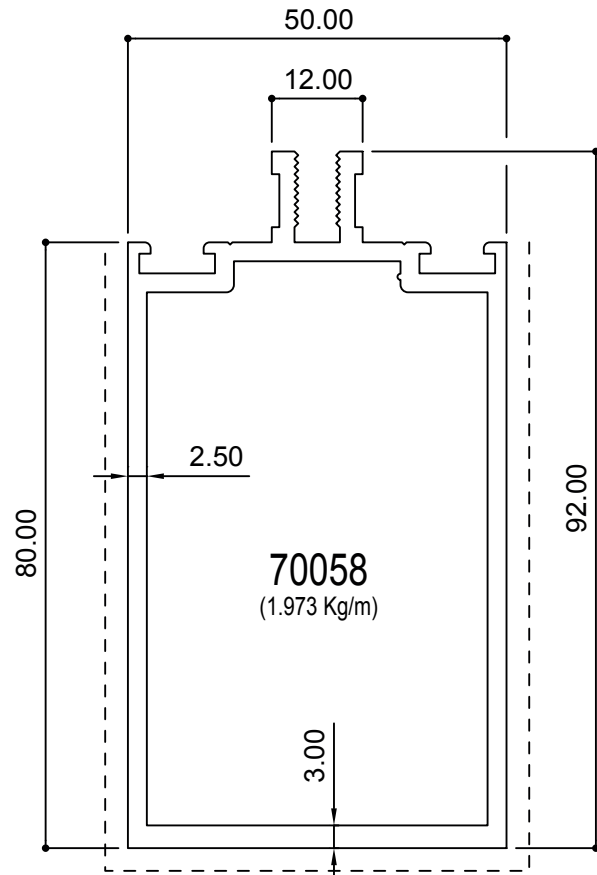
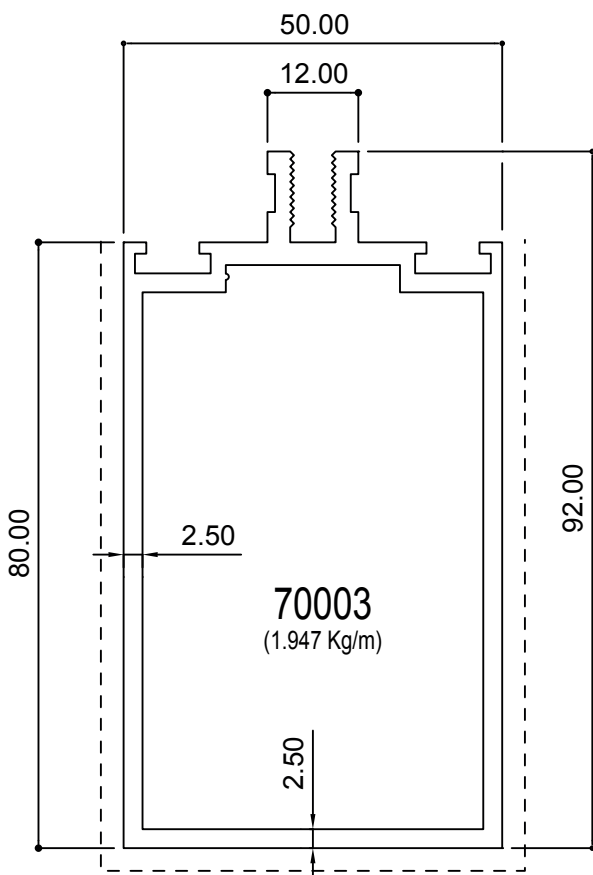
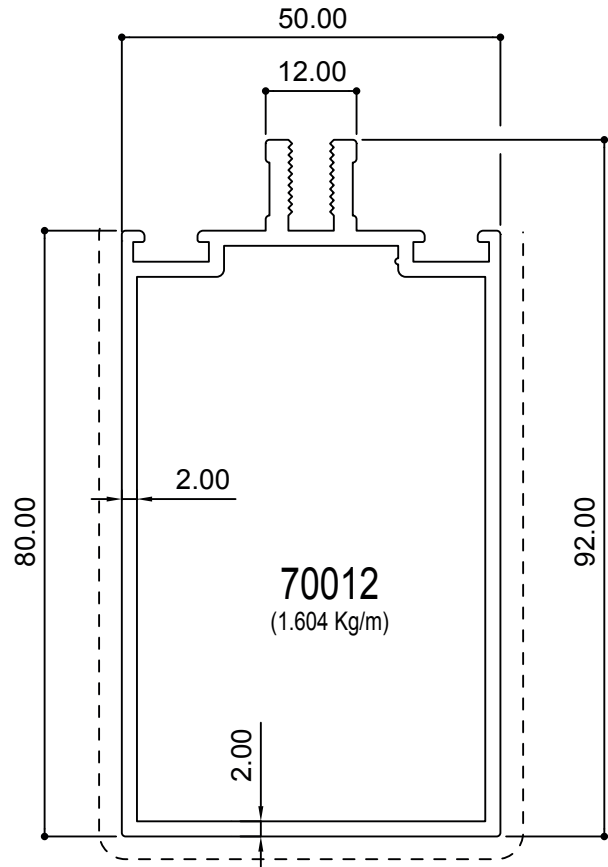
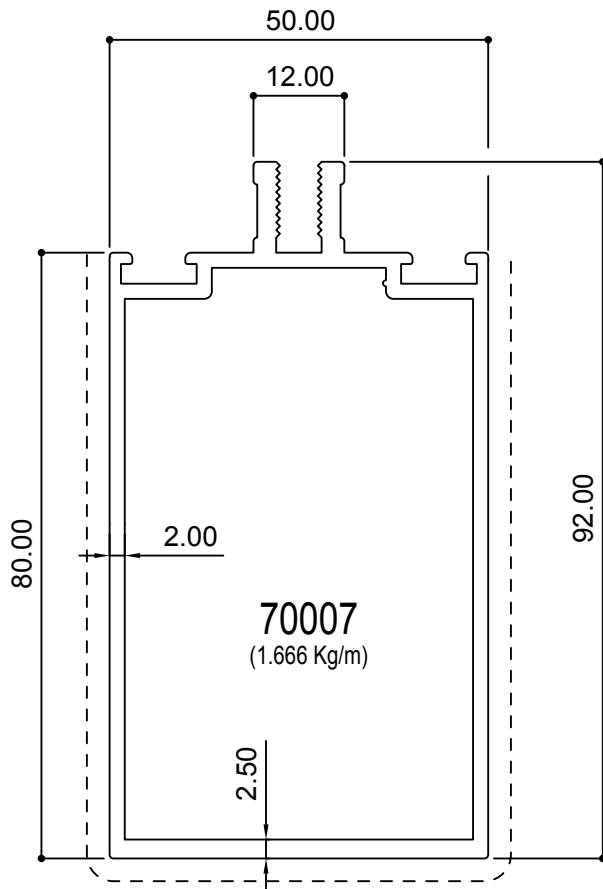
70062
(1.170 Kg/m)



26300
(1.352 Kg/m)

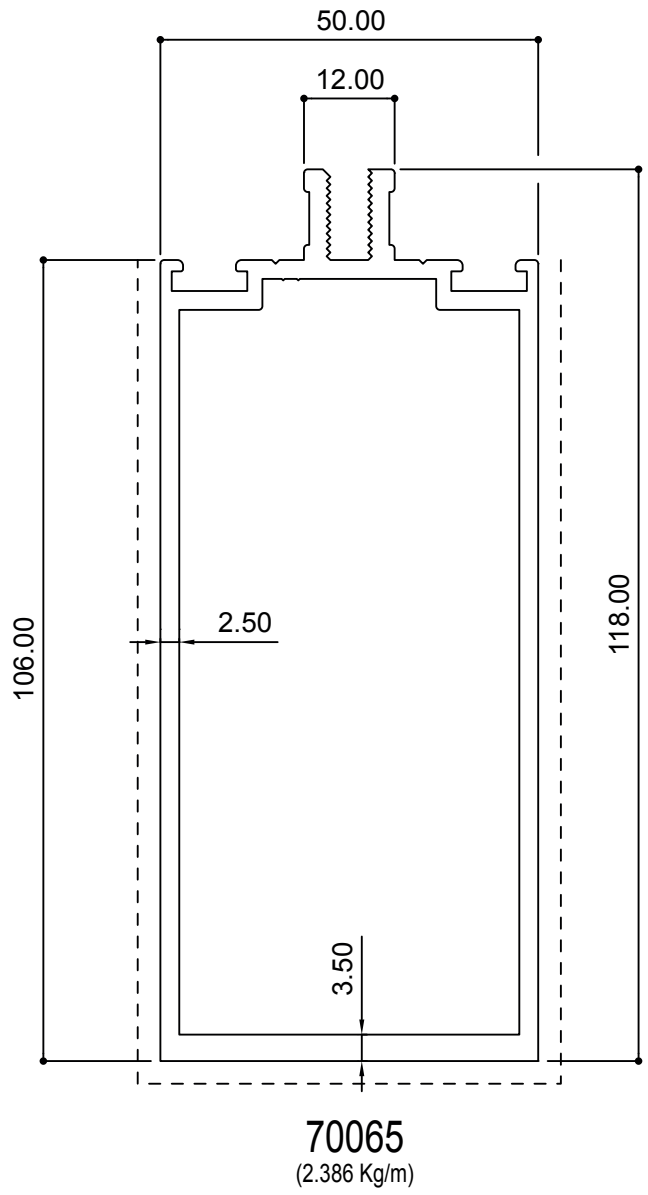
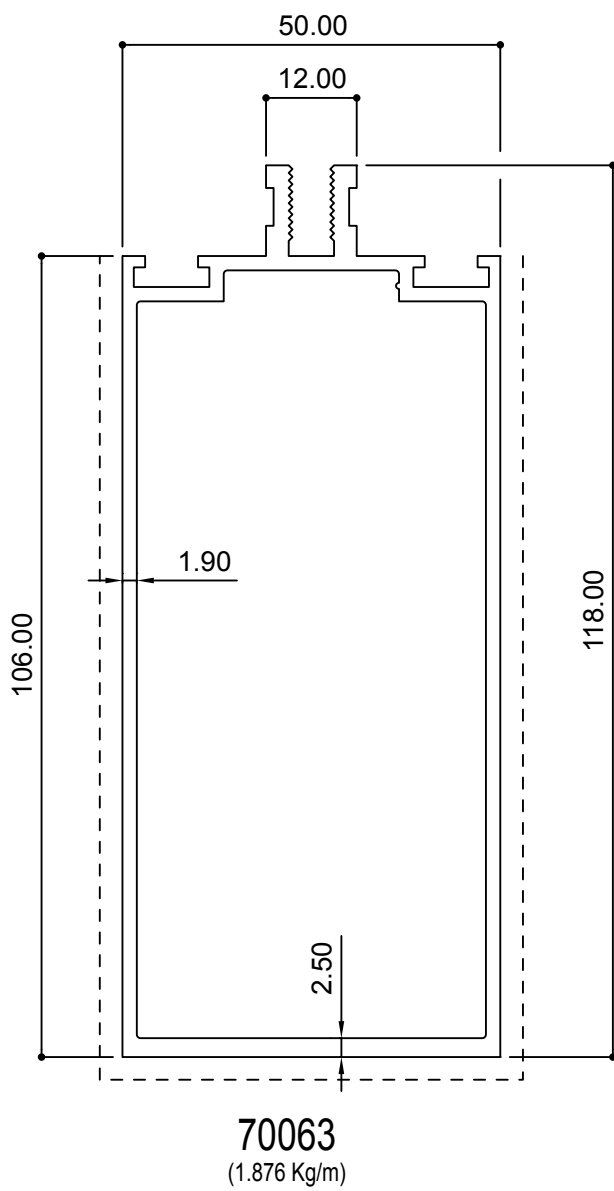
* For export, not recommended for GCC usage

Curtain Wall



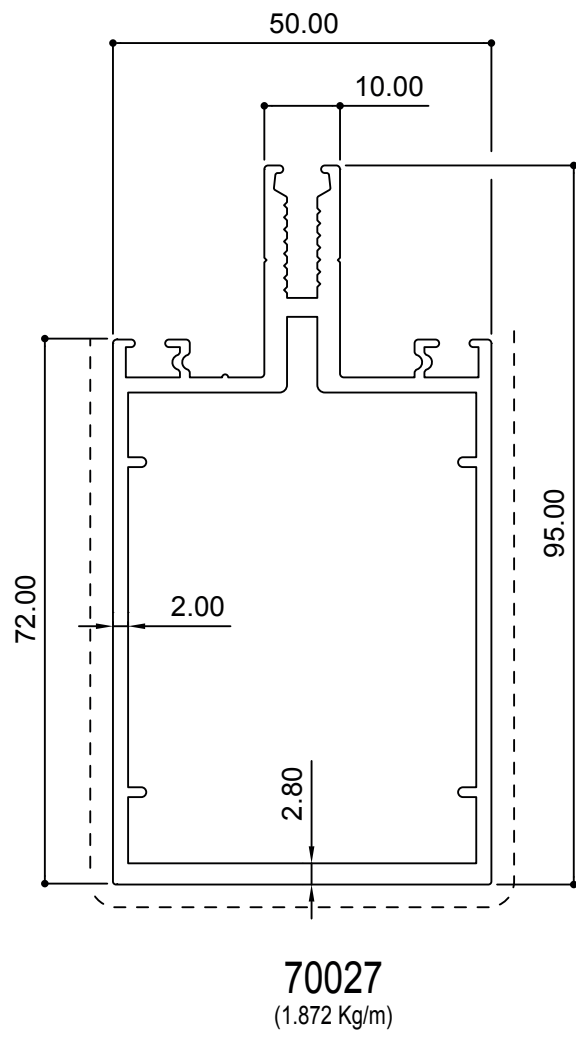
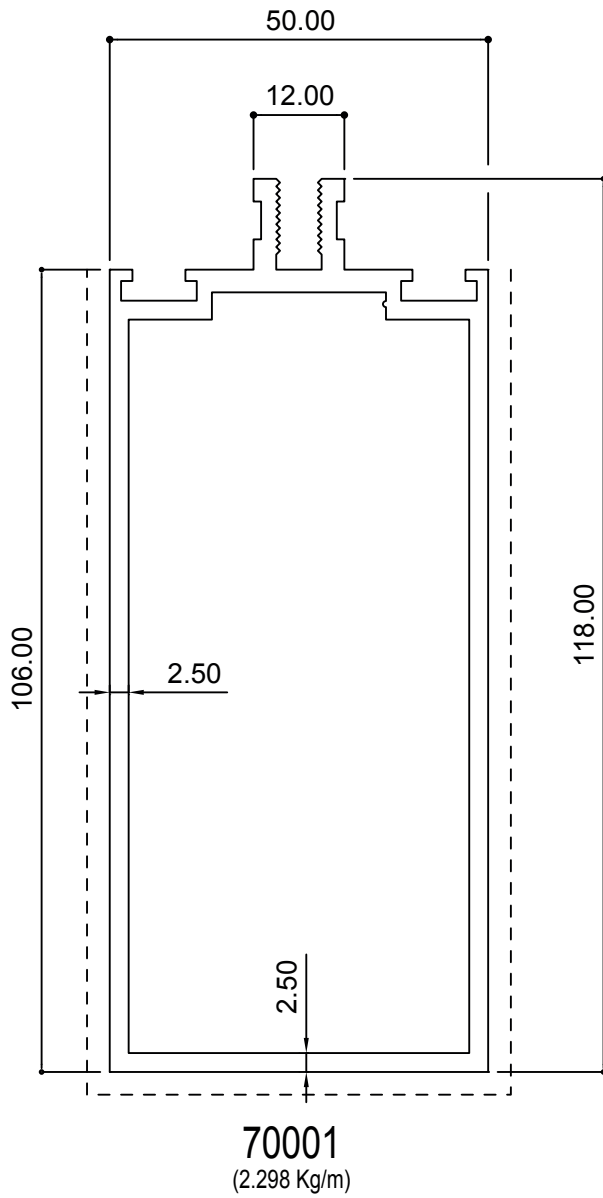
* For export, not recommended for GCC usage

Curtain Wall



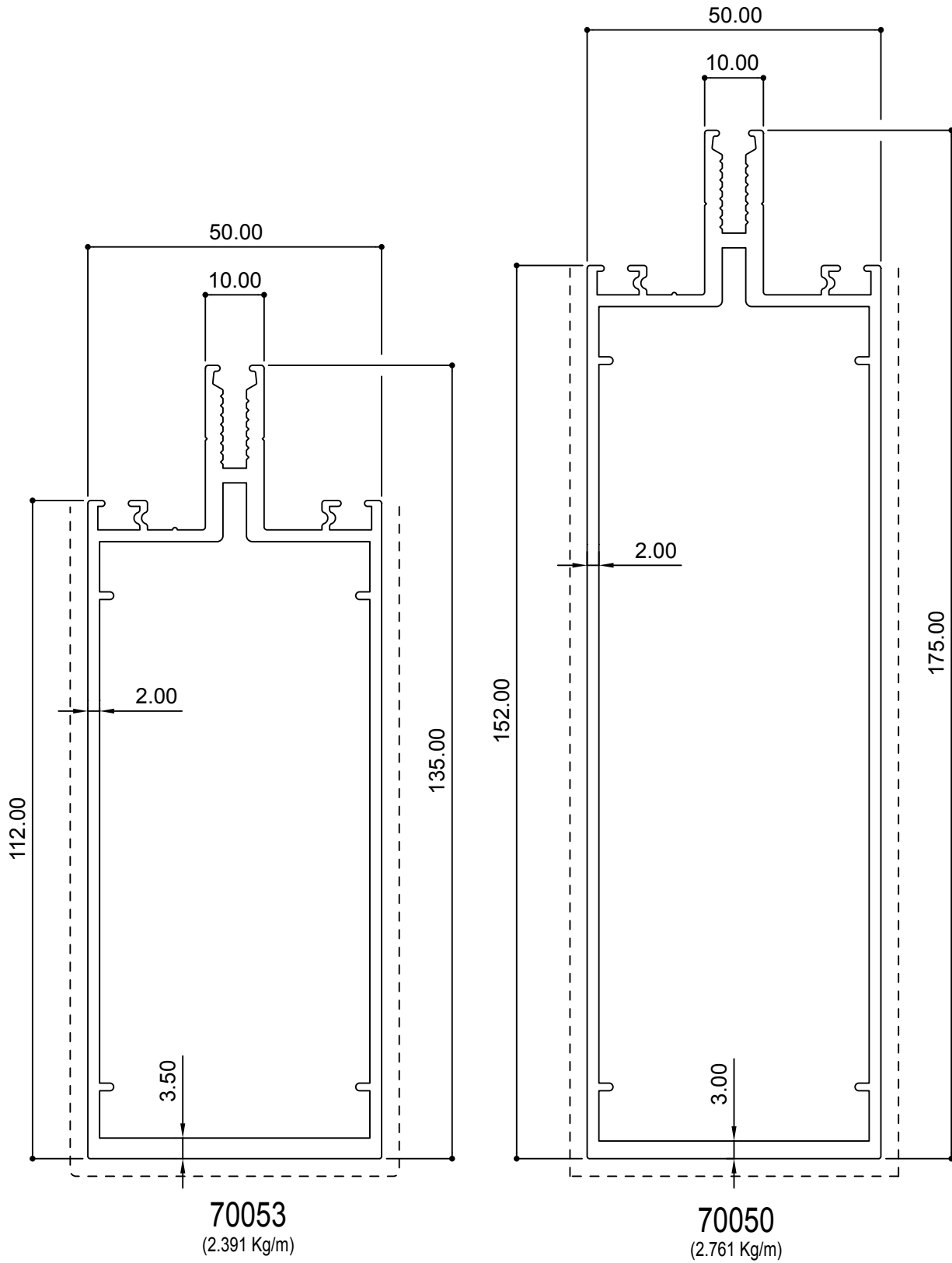
* For export, not recommended for GCC usage

Curtain Wall



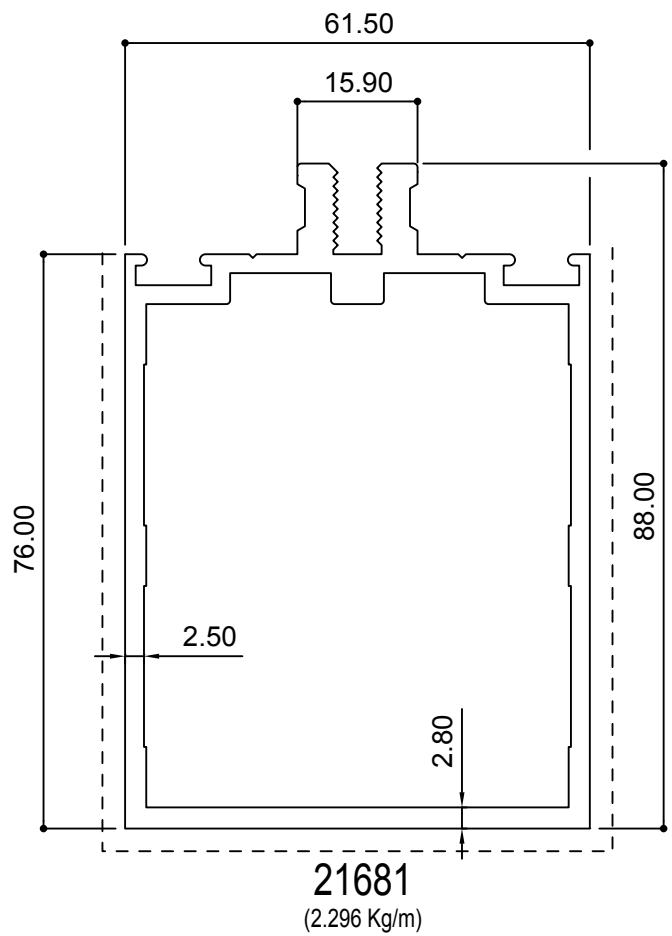
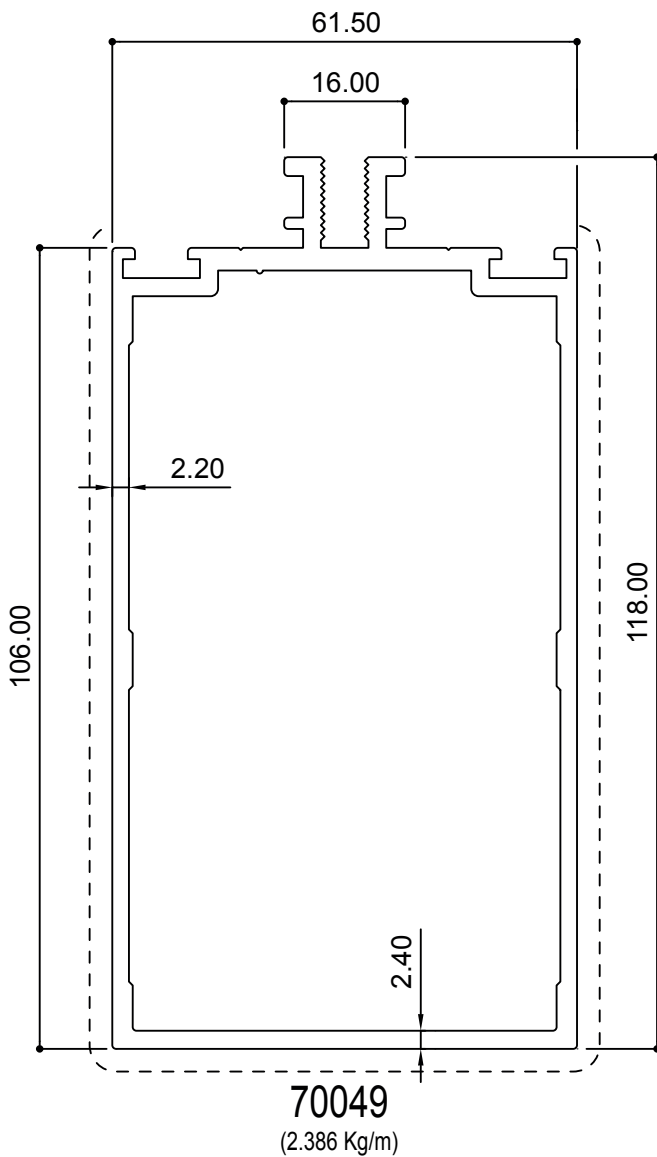
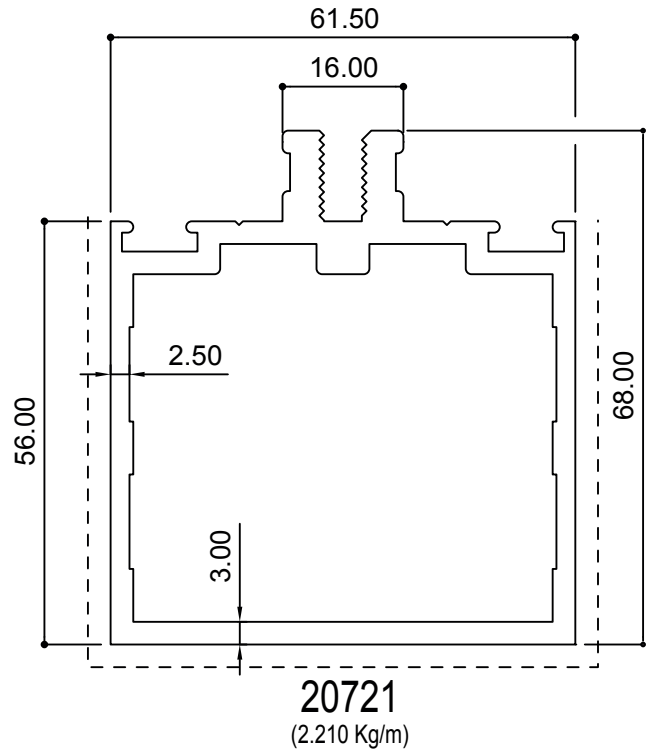
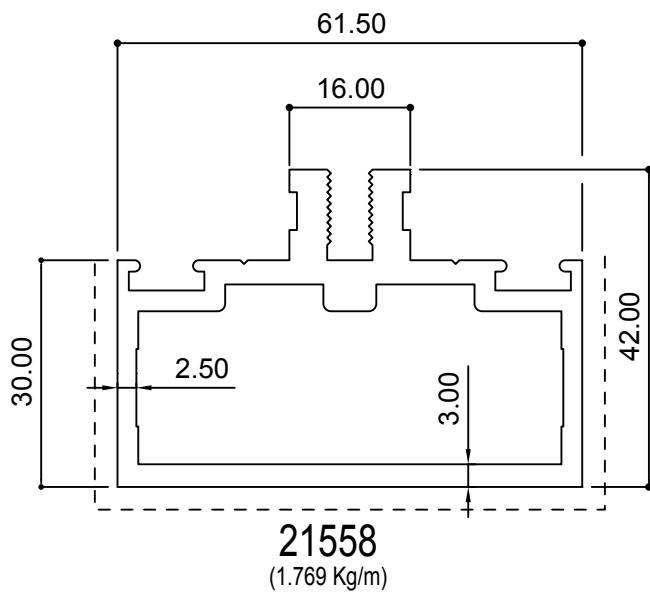
* For export, not recommended for GCC usage

Curtain Wall

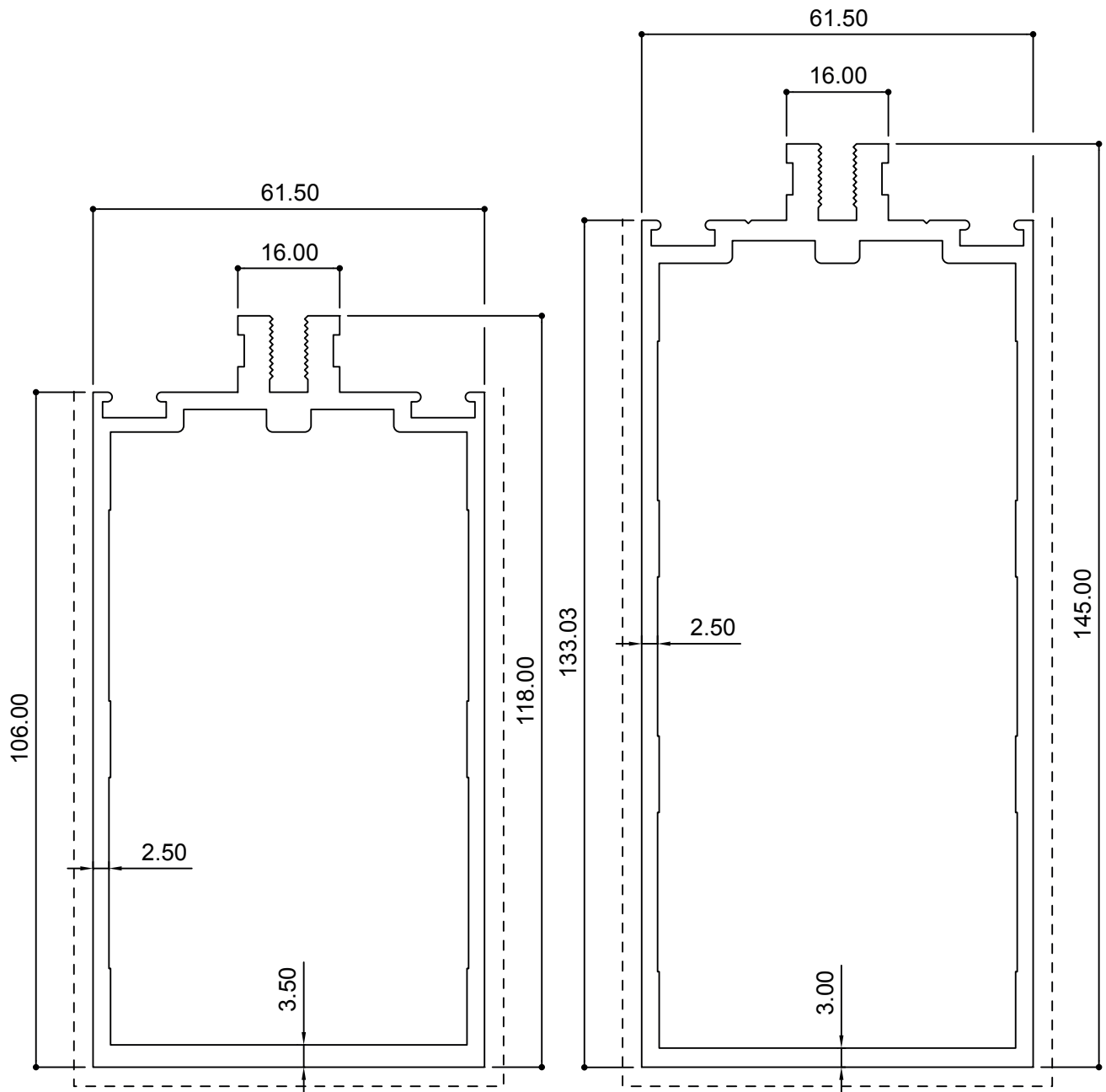


* For export, not recommended for GCC usage

Curtain Wall



* For export, not recommended for GCC usage

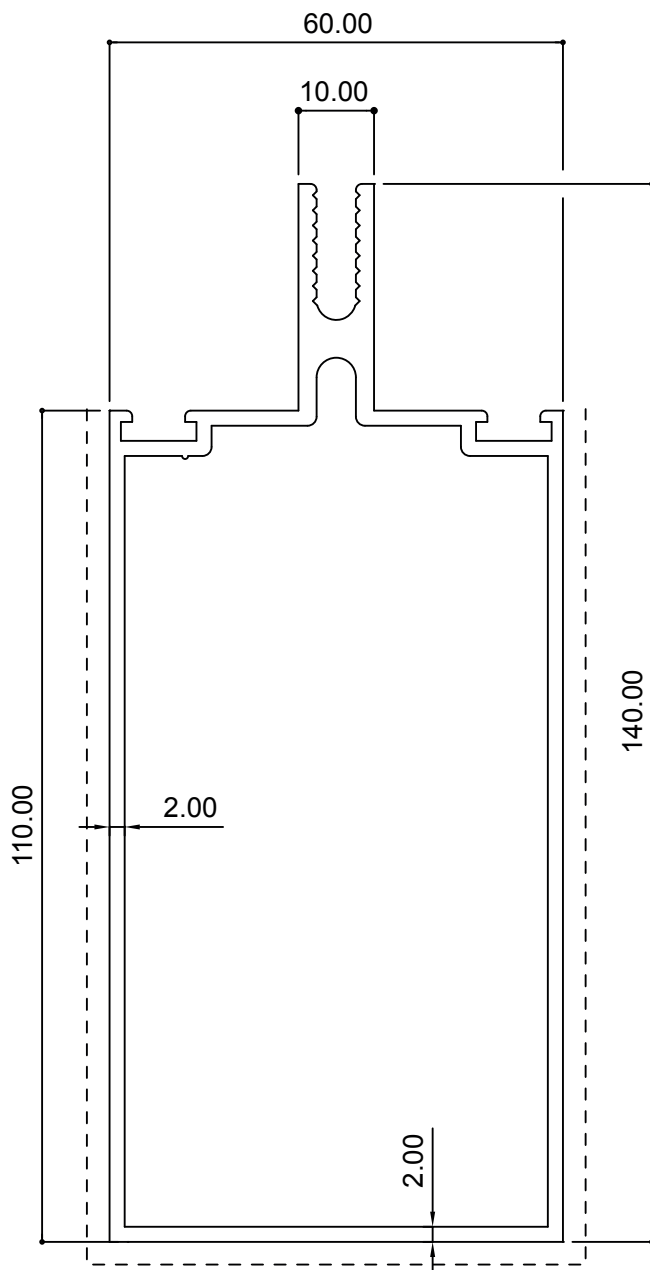


20117
(2.999 Kg/m)

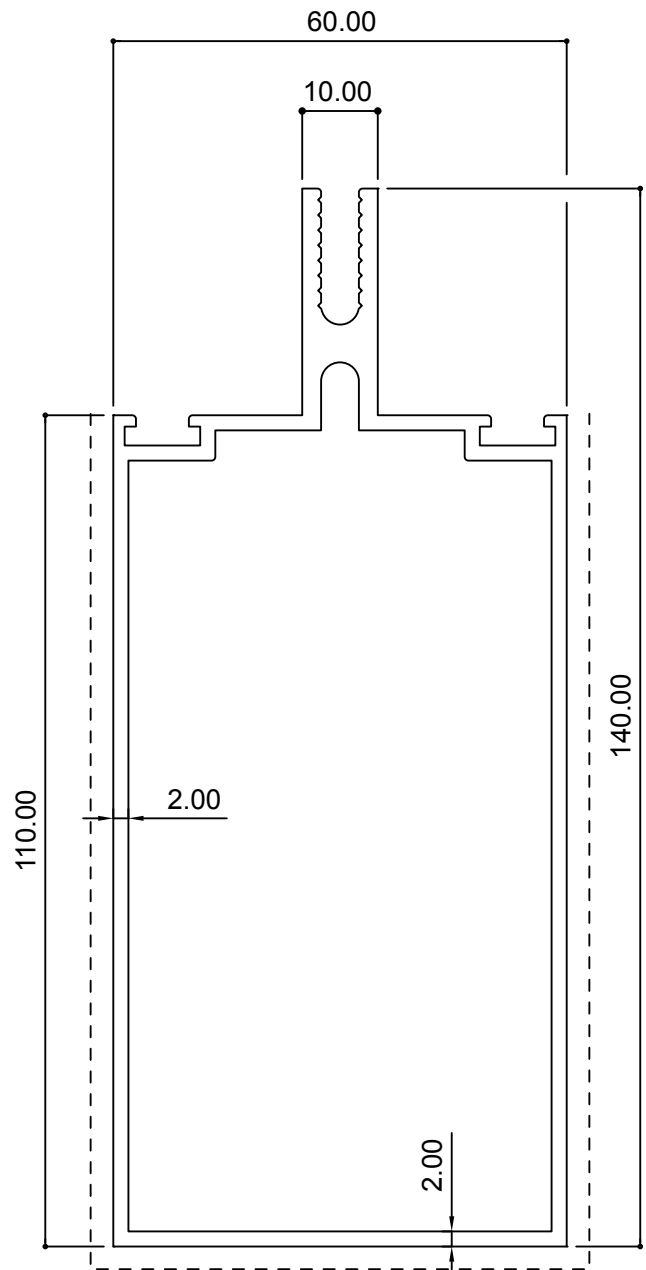
20821
(3.212 Kg/m)

* For export, not recommended for GCC usage

Curtain Wall



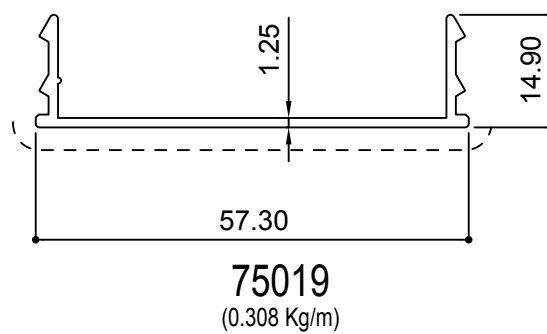
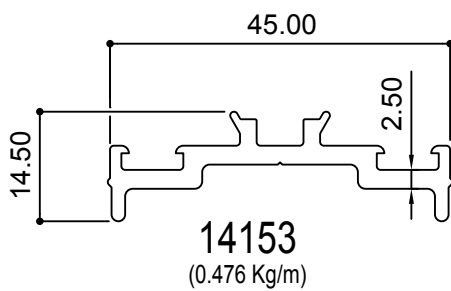
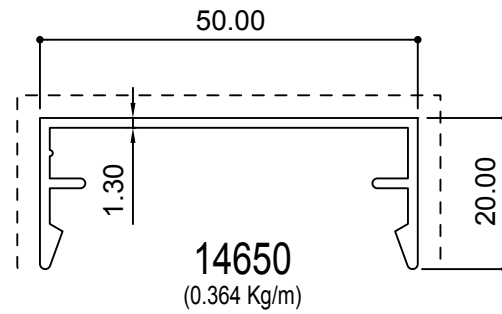
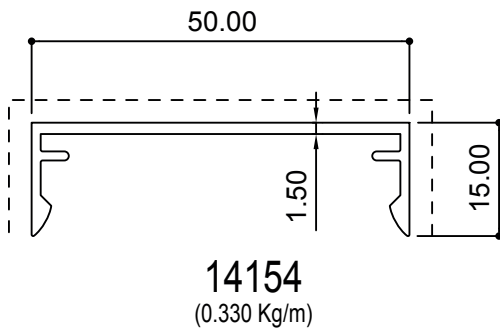
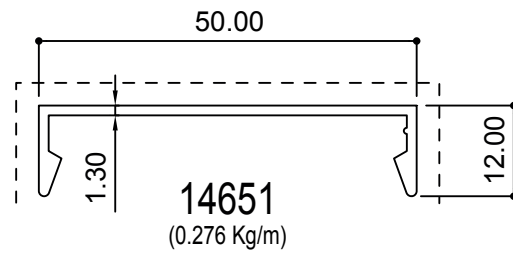
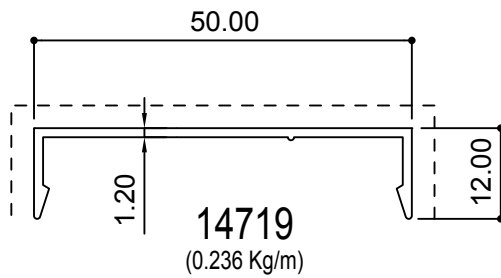
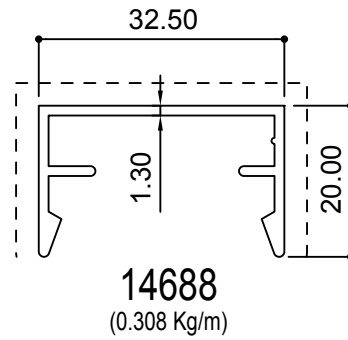
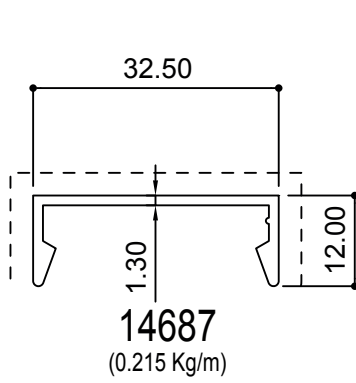
27450
(2.280 Kg/m)



21140
(2.301 Kg/m)

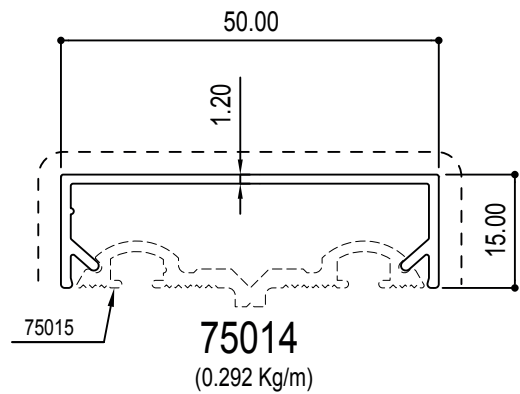
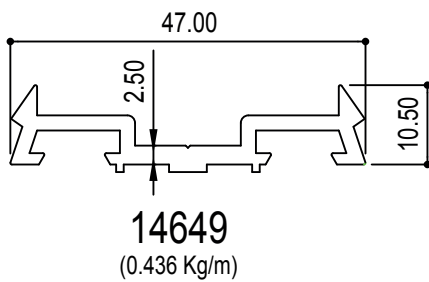
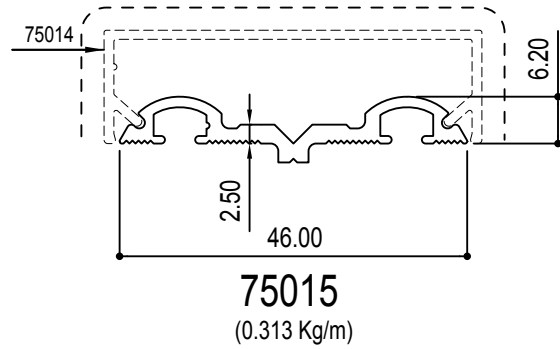
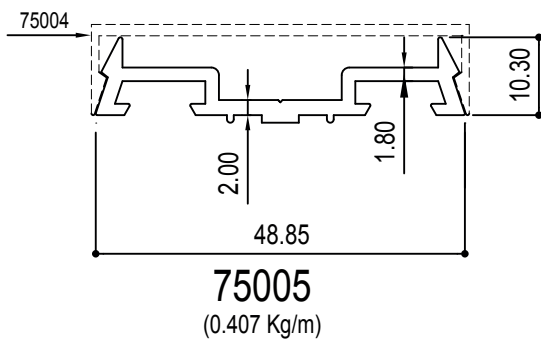
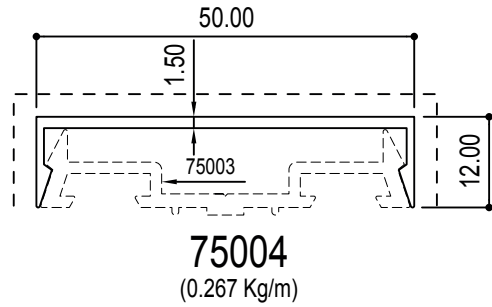
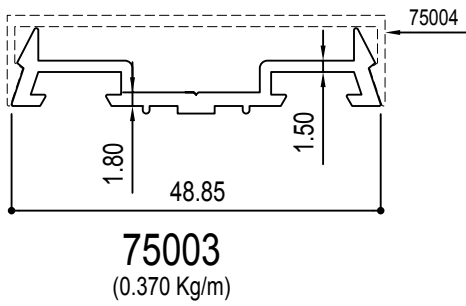
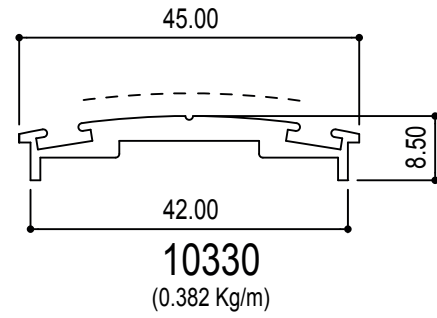
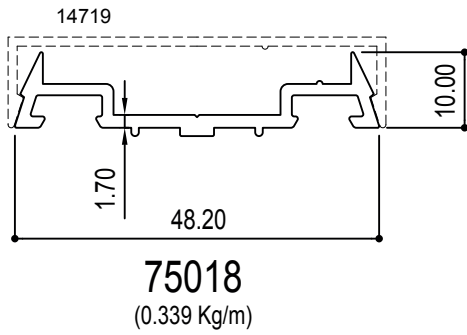
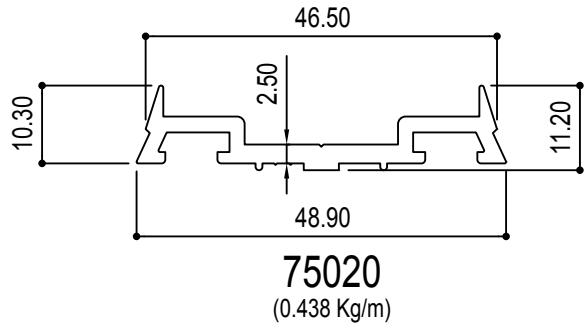
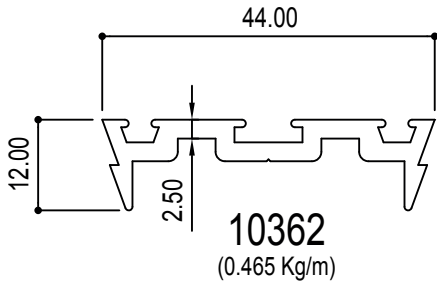
* For export, not recommended for GCC usage

Curtain Wall



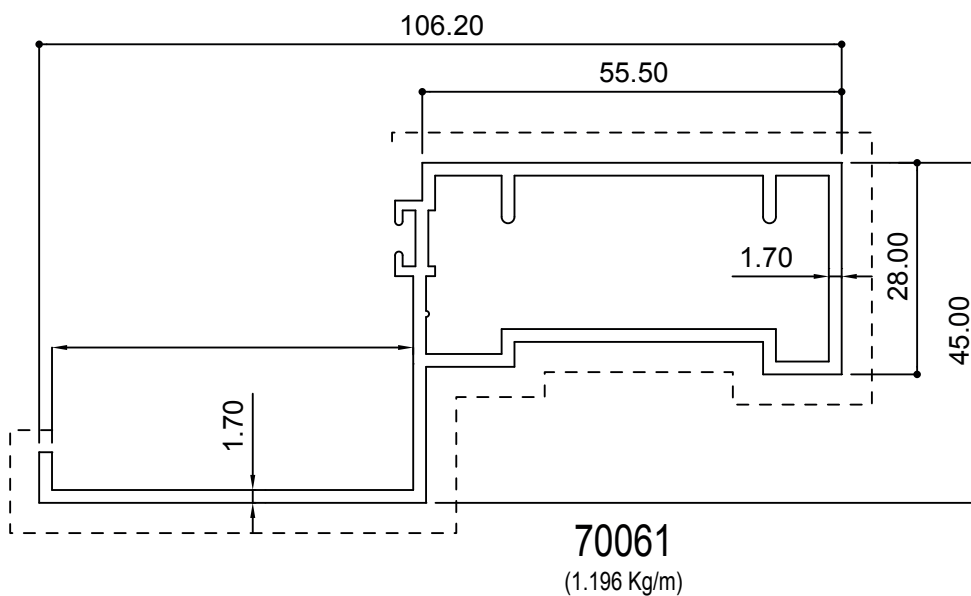
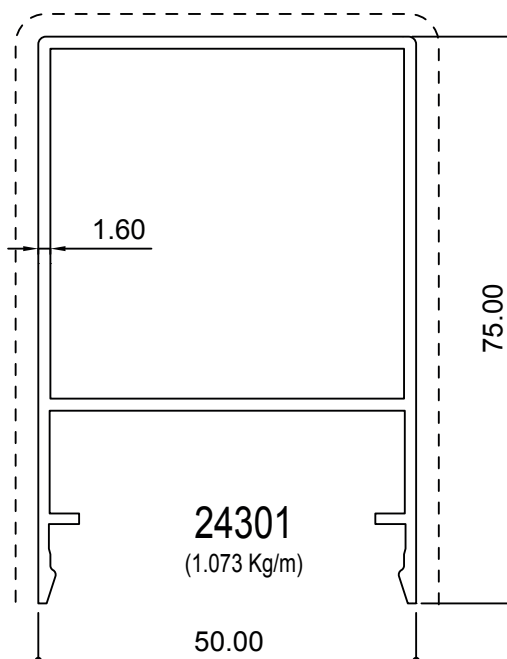
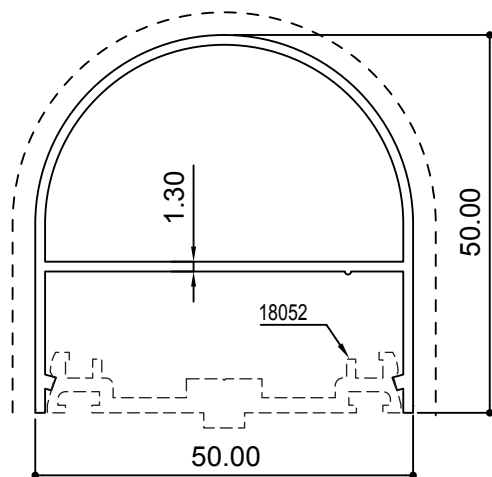
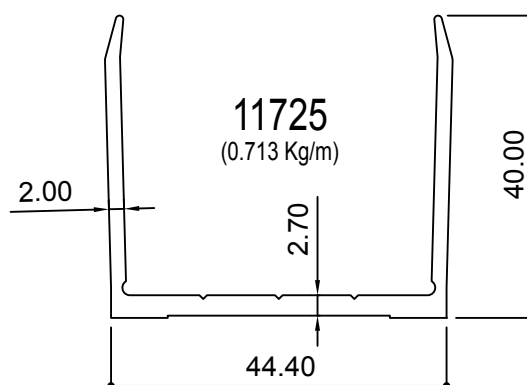
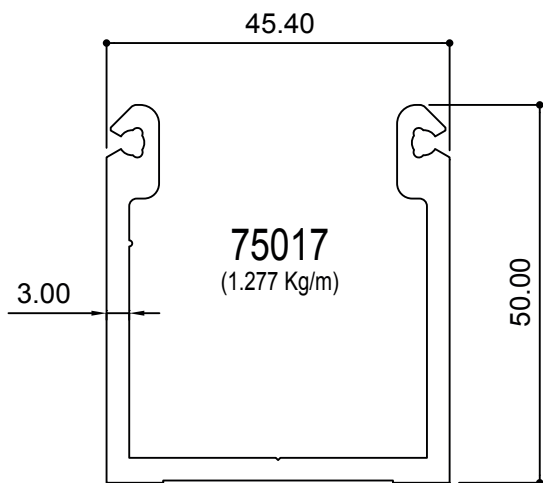
* For export, not recommended for GCC usage

Curtain Wall



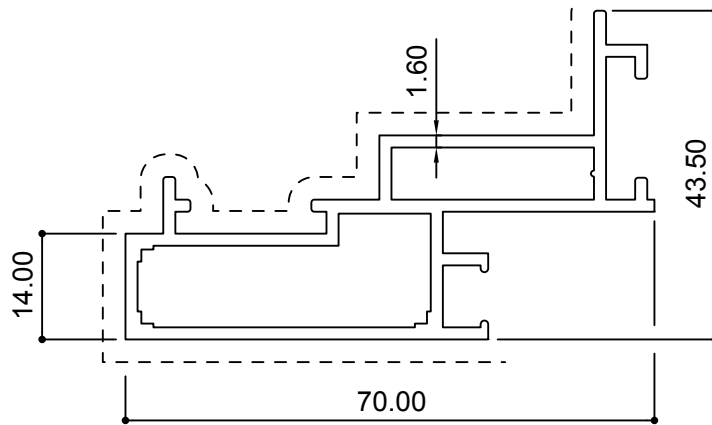
* For export, not recommended for GCC usage

Curtain Wall

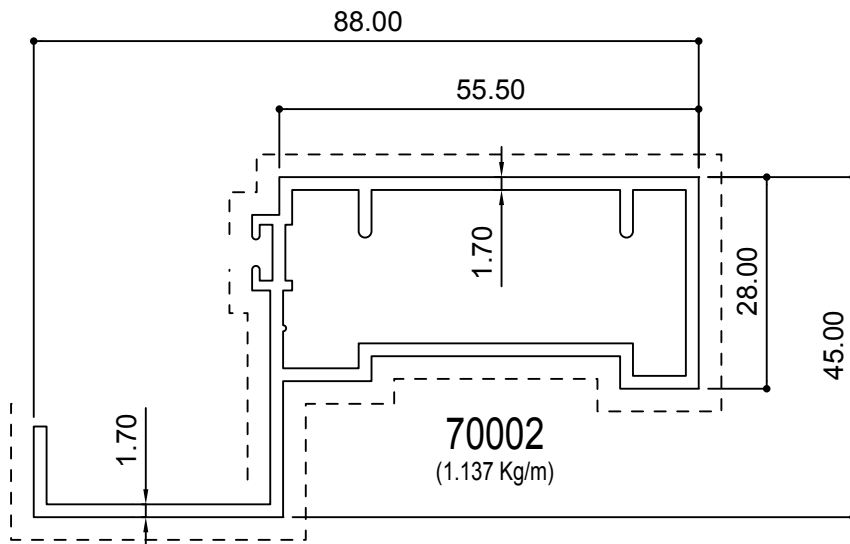


* For export, not recommended for GCC usage

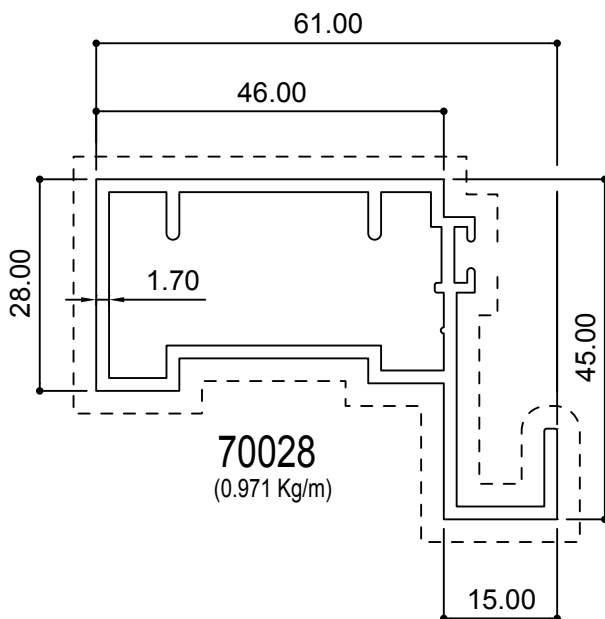
Curtain Wall



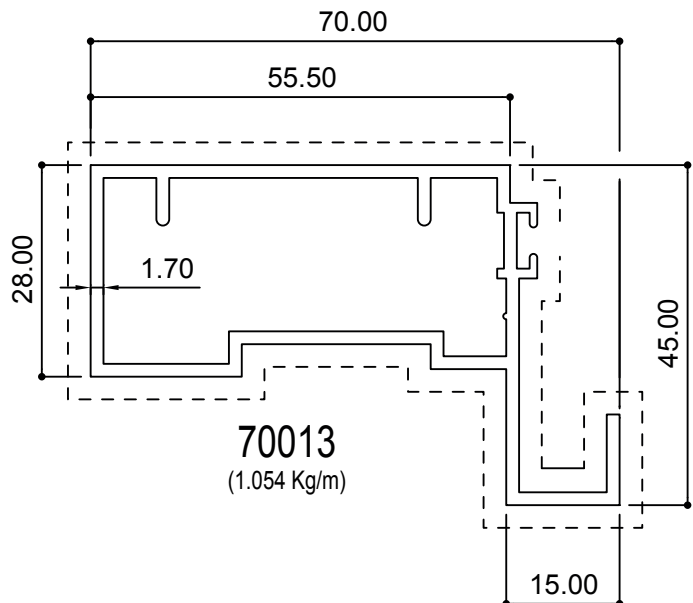
70010
(1.054 Kg/m)



70002
(1.137 Kg/m)



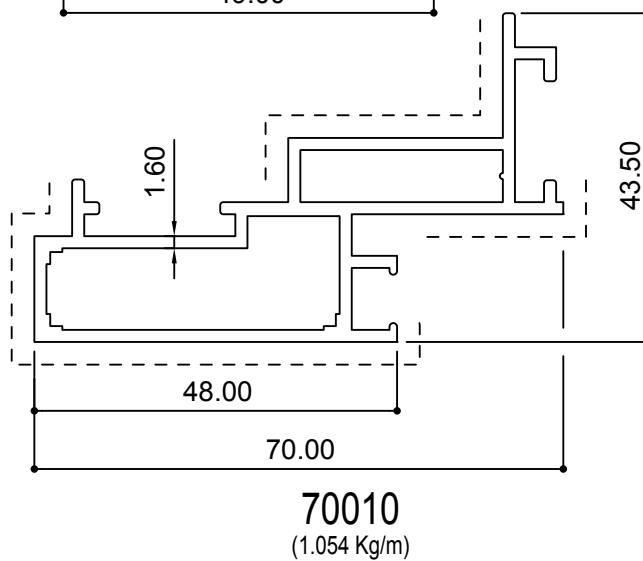
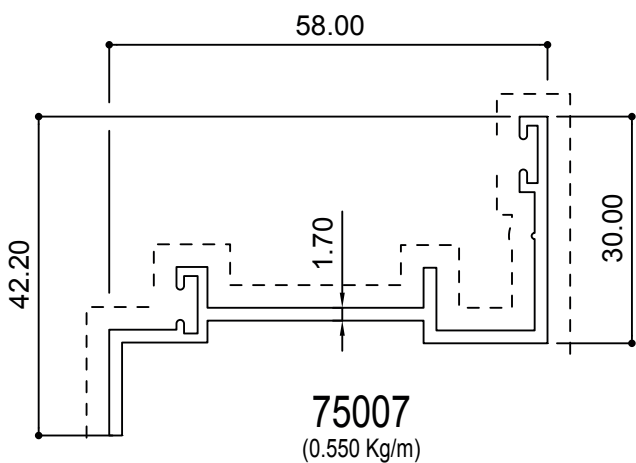
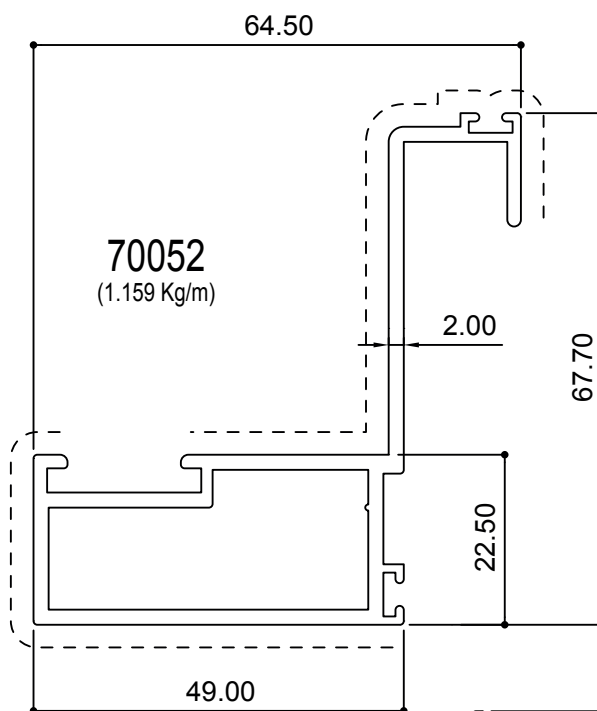
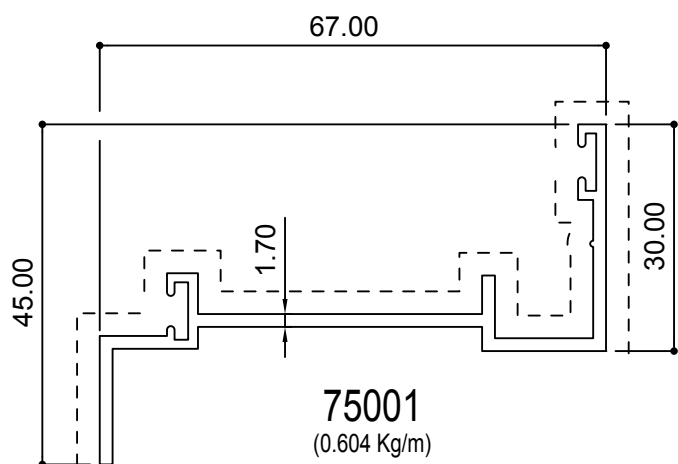
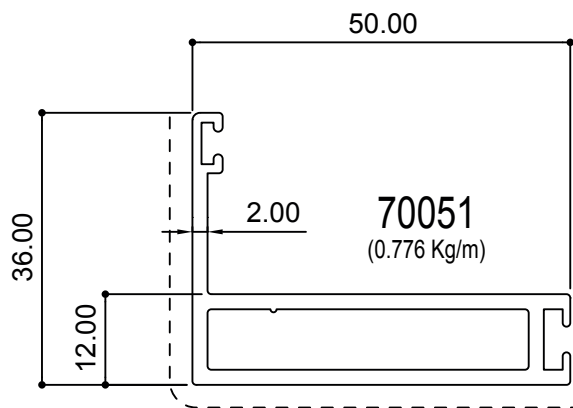
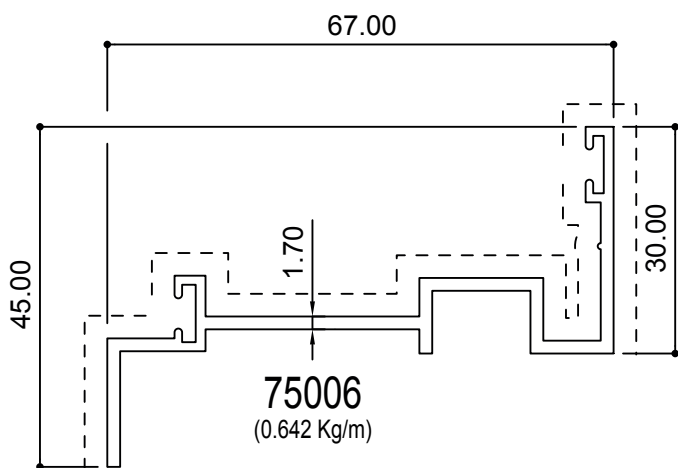
70028
(0.971 Kg/m)



70013
(1.054 Kg/m)

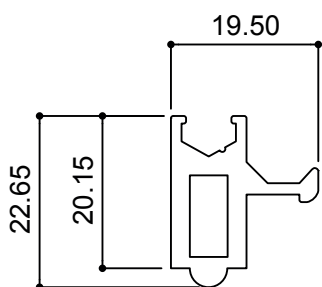
* For export, not recommended for GCC usage

Curtain Wall

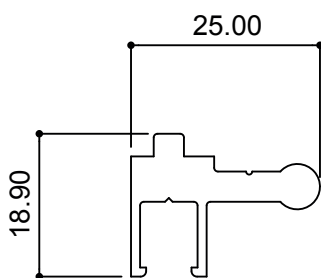


* For export, not recommended for GCC usage

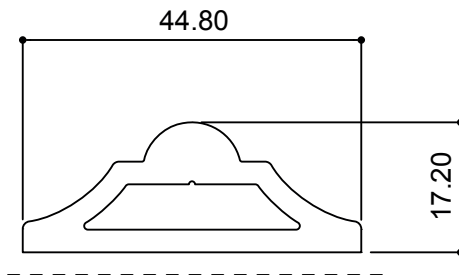
Curtain Wall



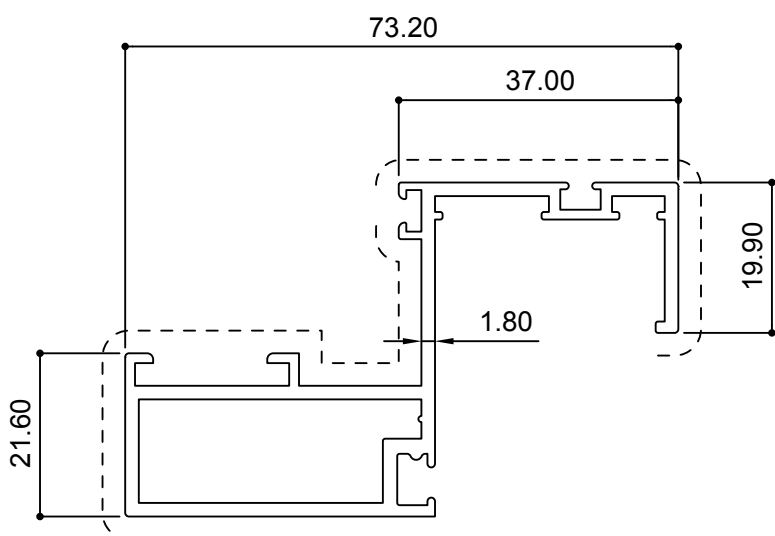
40264
(0.405 Kg/m)



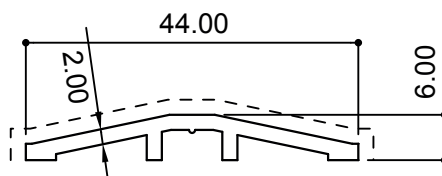
17466
(0.444 Kg/m)



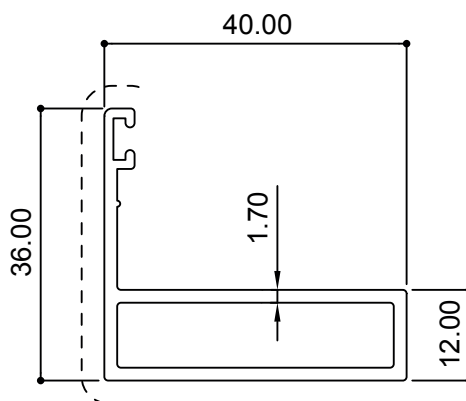
40265
(0.860 Kg/m)



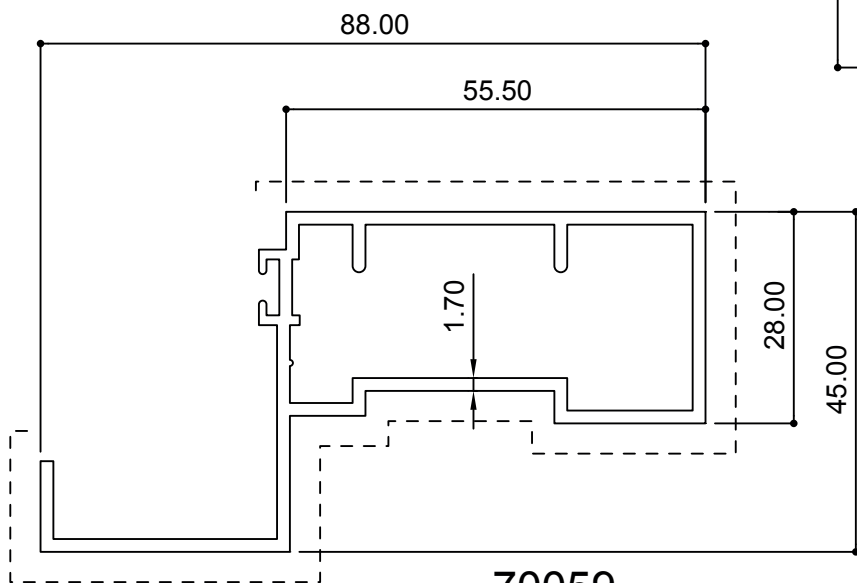
70057
(1.050 Kg/m)



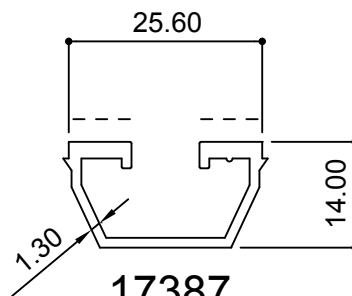
17372
(0.290 Kg/m)



70056
(0.572 Kg/m)



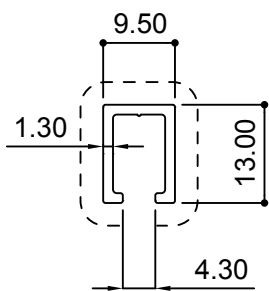
70059
(1.137 Kg/m)



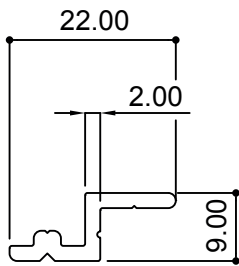
17387
(0.255 Kg/m)

* For export, not recommended for GCC usage

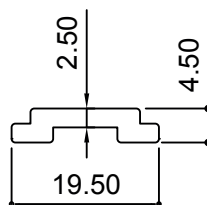
Curtain Wall



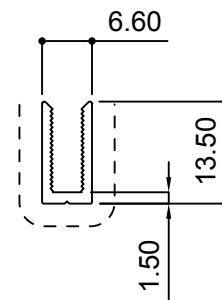
75016
(0.125 Kg/m)



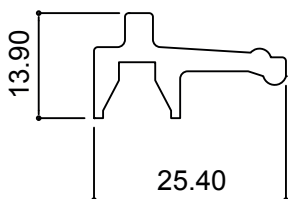
75012
(0.169 Kg/m)



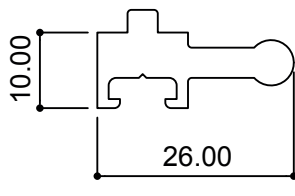
11225
(0.163 Kg/m)



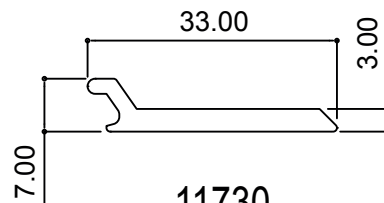
75013
(0.105 Kg/m)



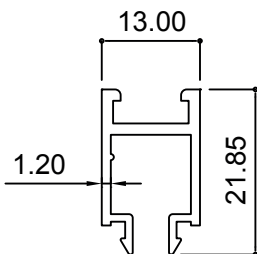
11678
(0.318 Kg/m)



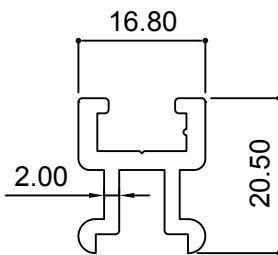
14239
(0.434 Kg/m)



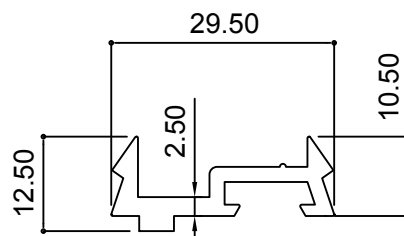
11730
(0.267 Kg/m)



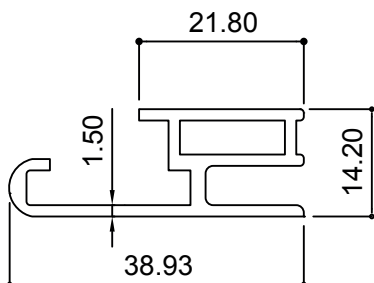
14647
(0.215 Kg/m)



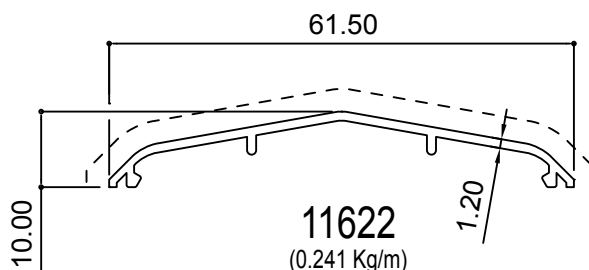
14648
(0.369 Kg/m)



14689
(0.324 Kg/m)



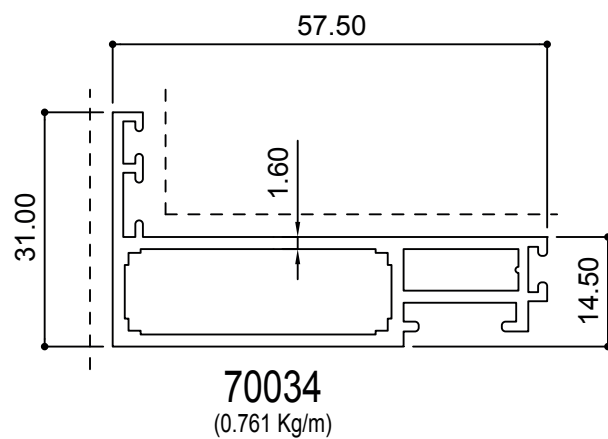
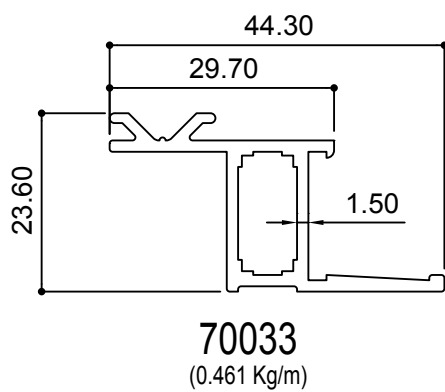
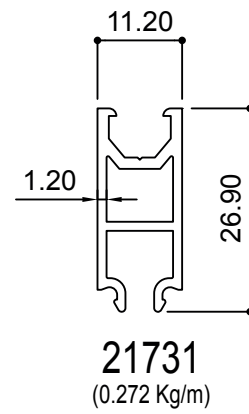
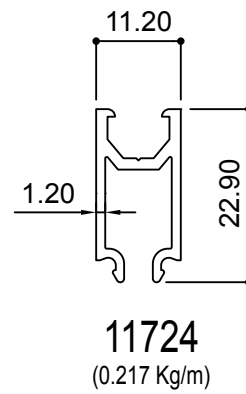
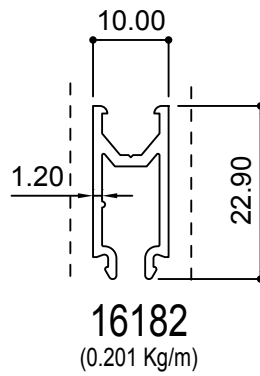
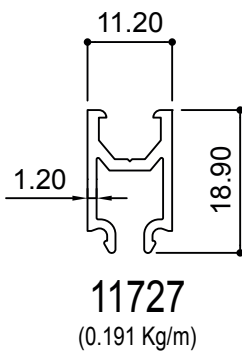
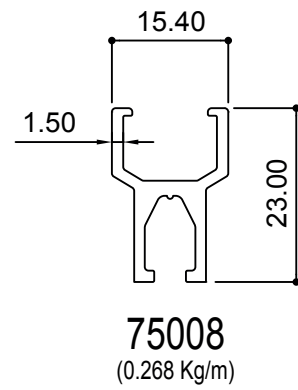
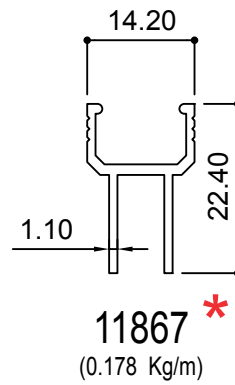
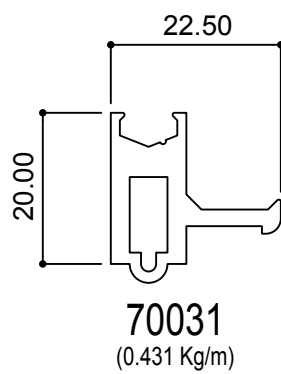
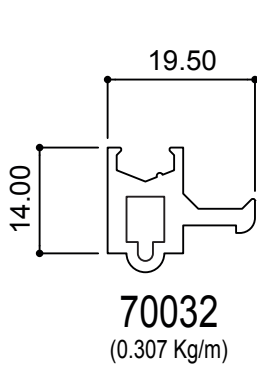
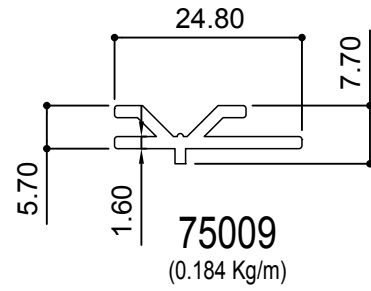
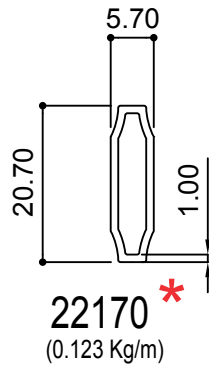
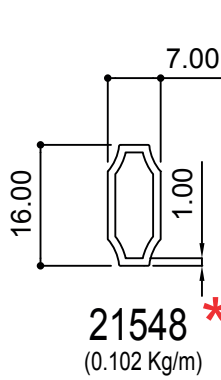
21579
(0.423 Kg/m)



11622
(0.241 Kg/m)

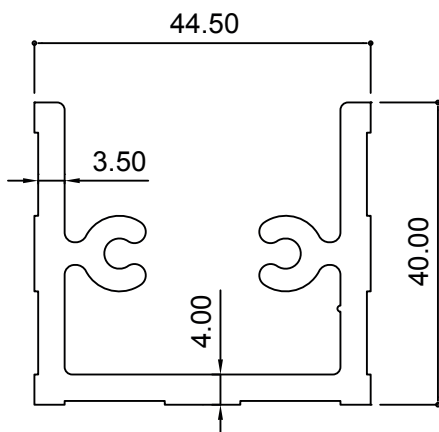
* For export, not recommended for GCC usage

Curtain Wall

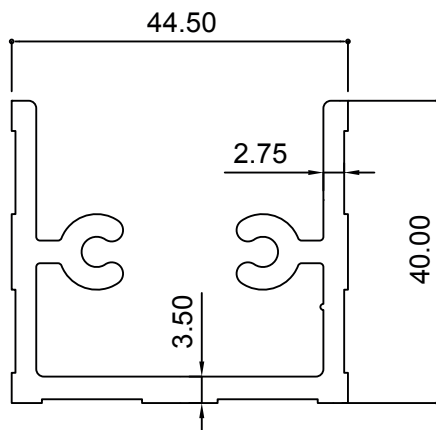


* For export, not recommended for GCC usage

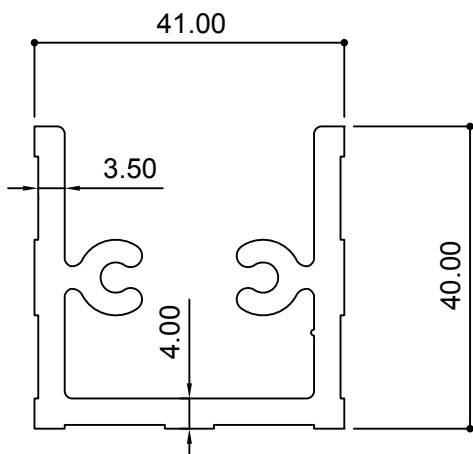
Curtain Wall



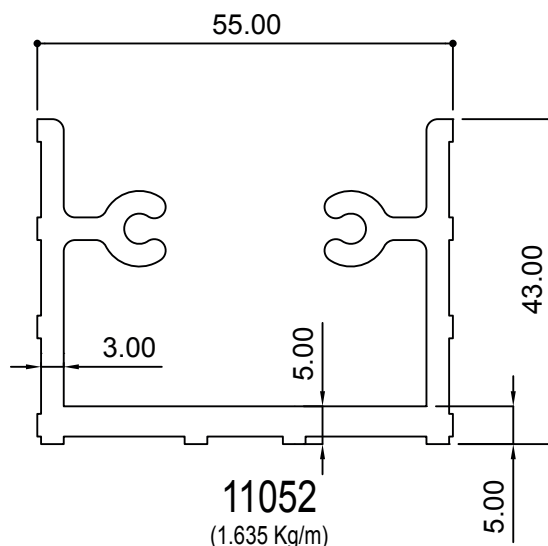
14646
(1.492 Kg/m)



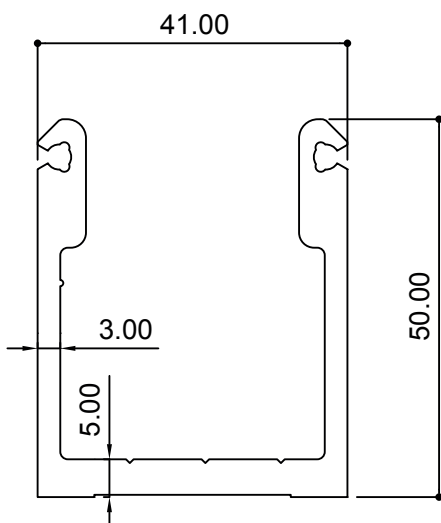
75002
(1.302 Kg/m)



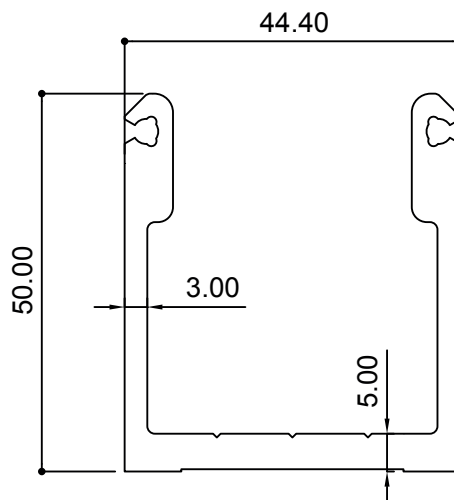
75011
(1.436 Kg/m)



11052
(1.635 Kg/m)



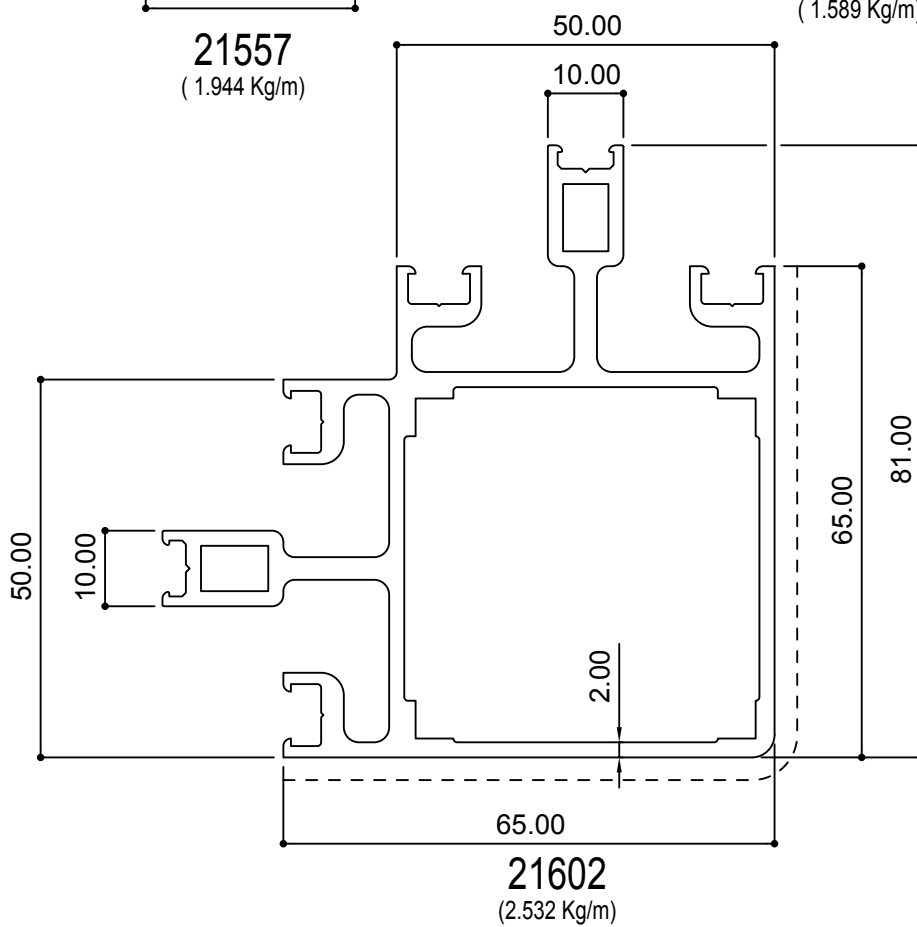
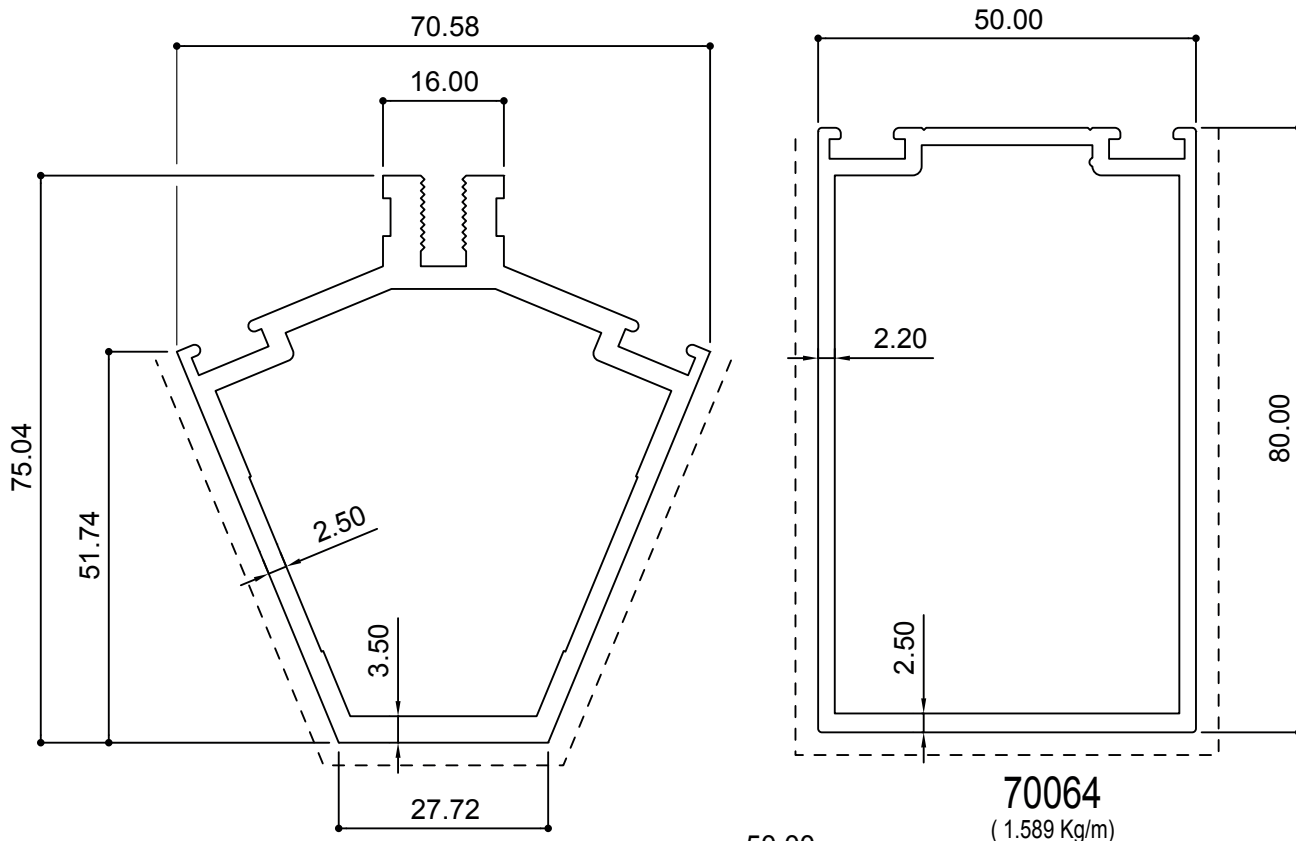
75010
(1.469Kg/m)



11779
(1.512 Kg/m)

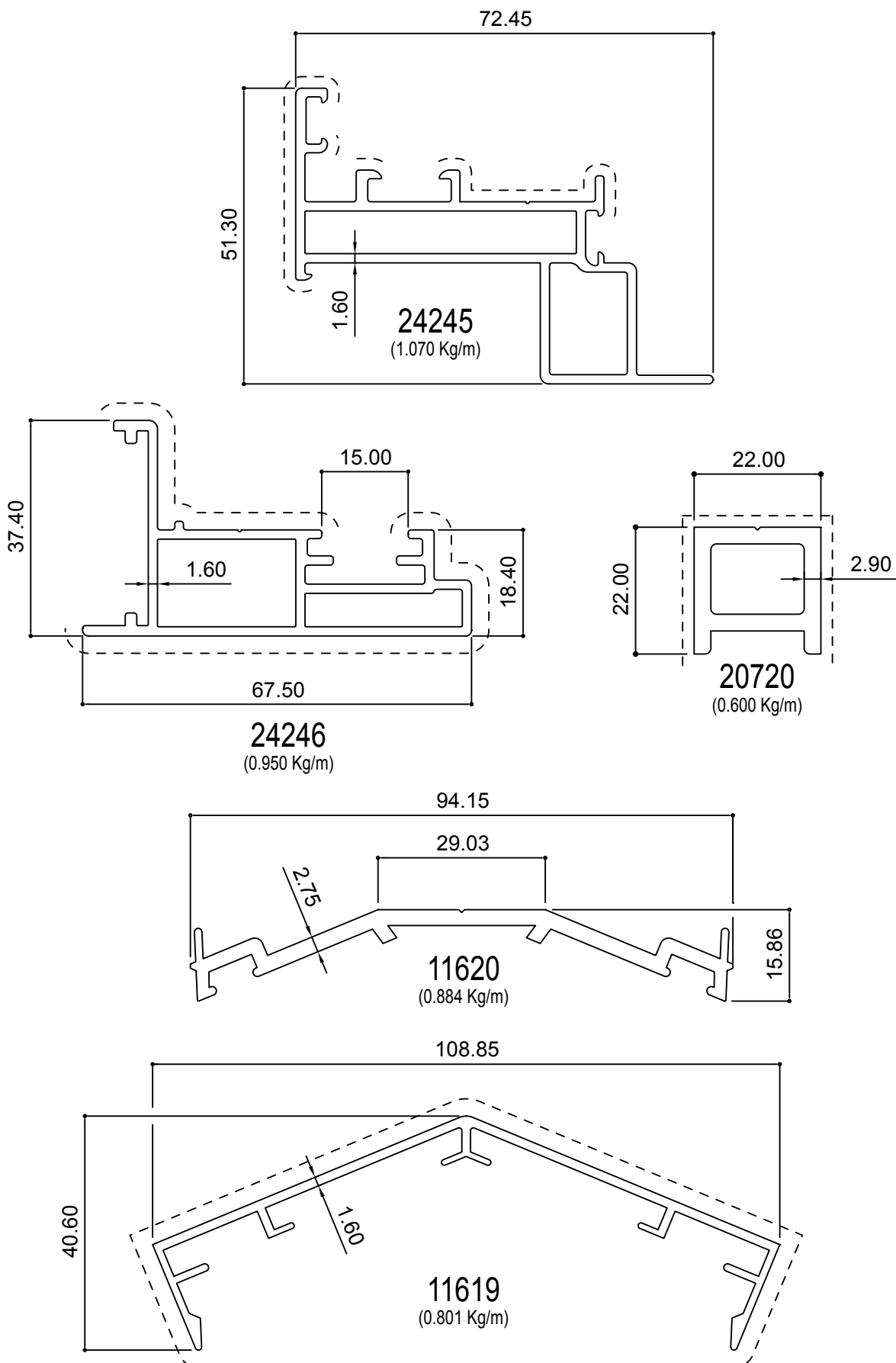
* For export, not recommended for GCC usage

Curtain Wall

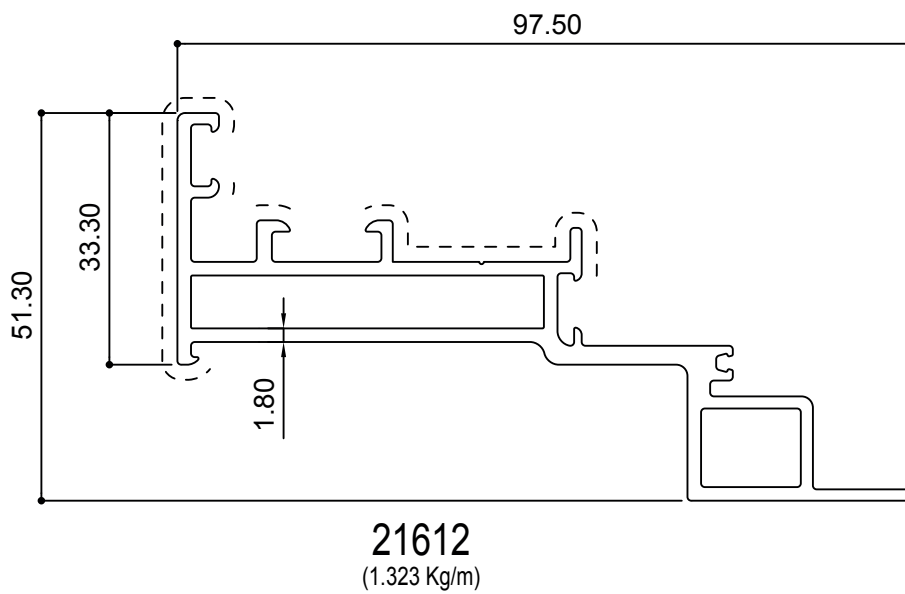
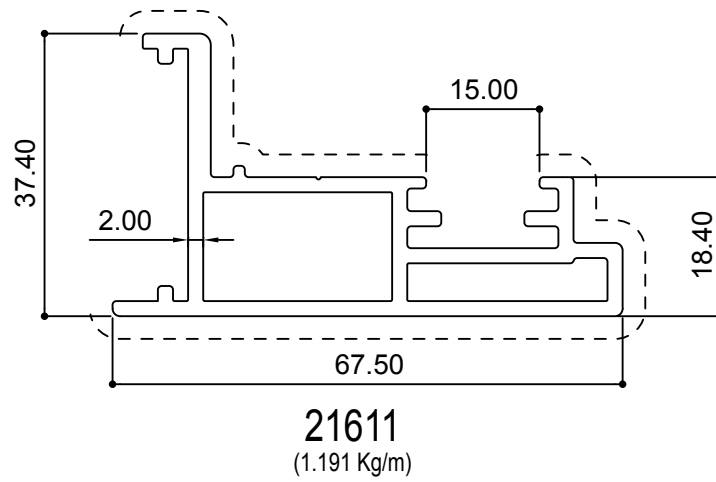
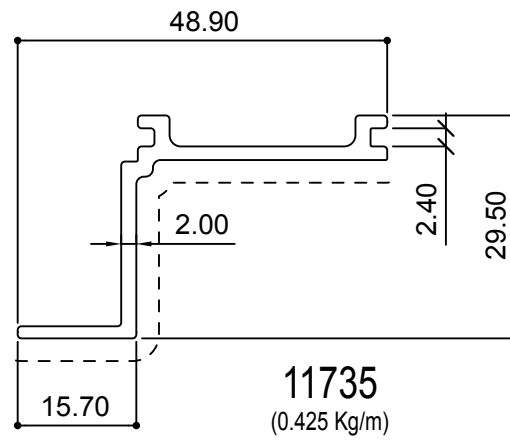


* For export, not recommended for GCC usage

Curtain Wall

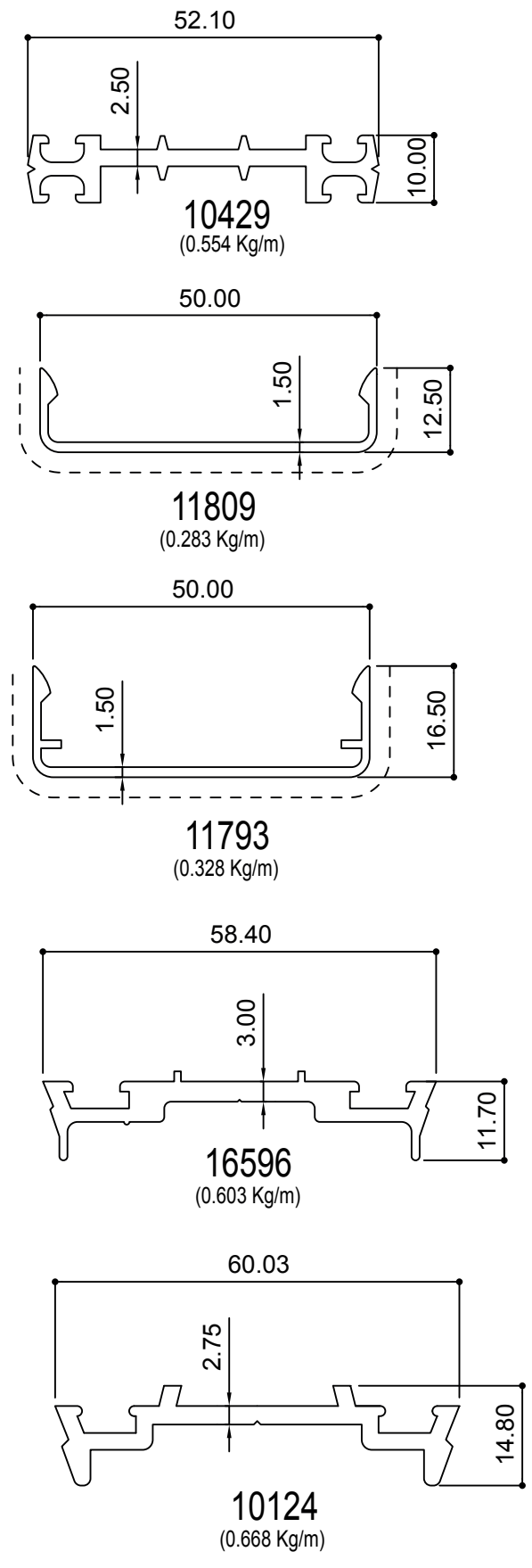
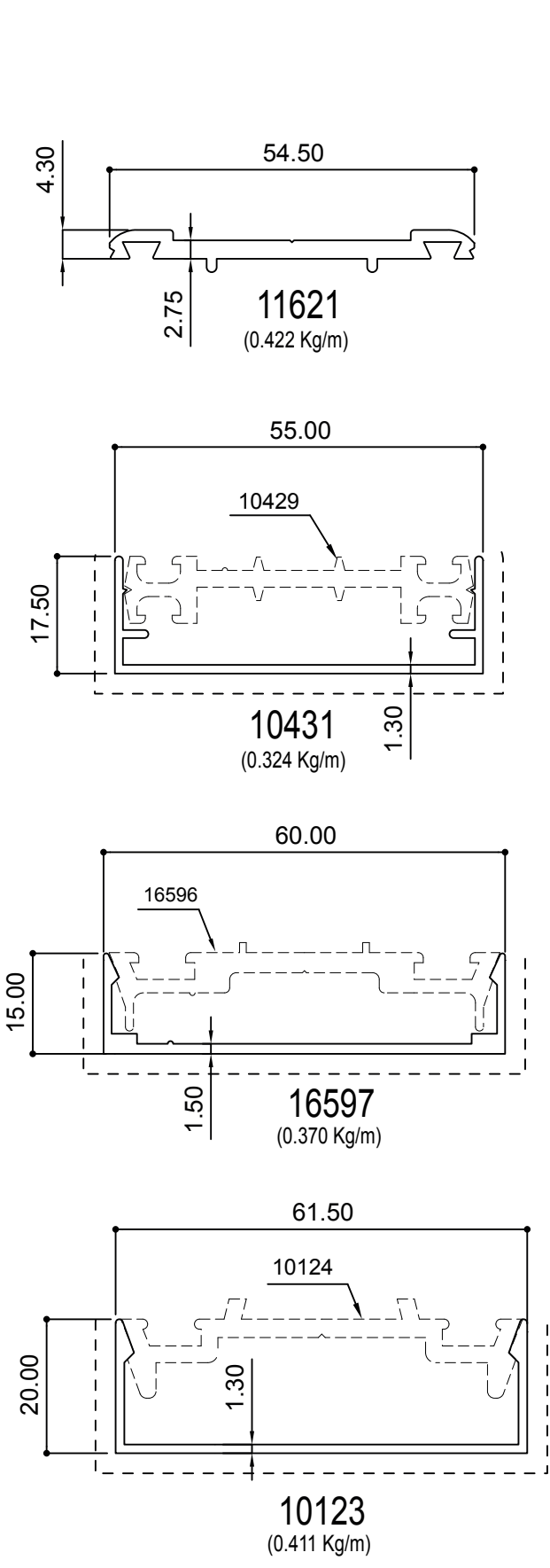


* For export, not recommended for GCC usage



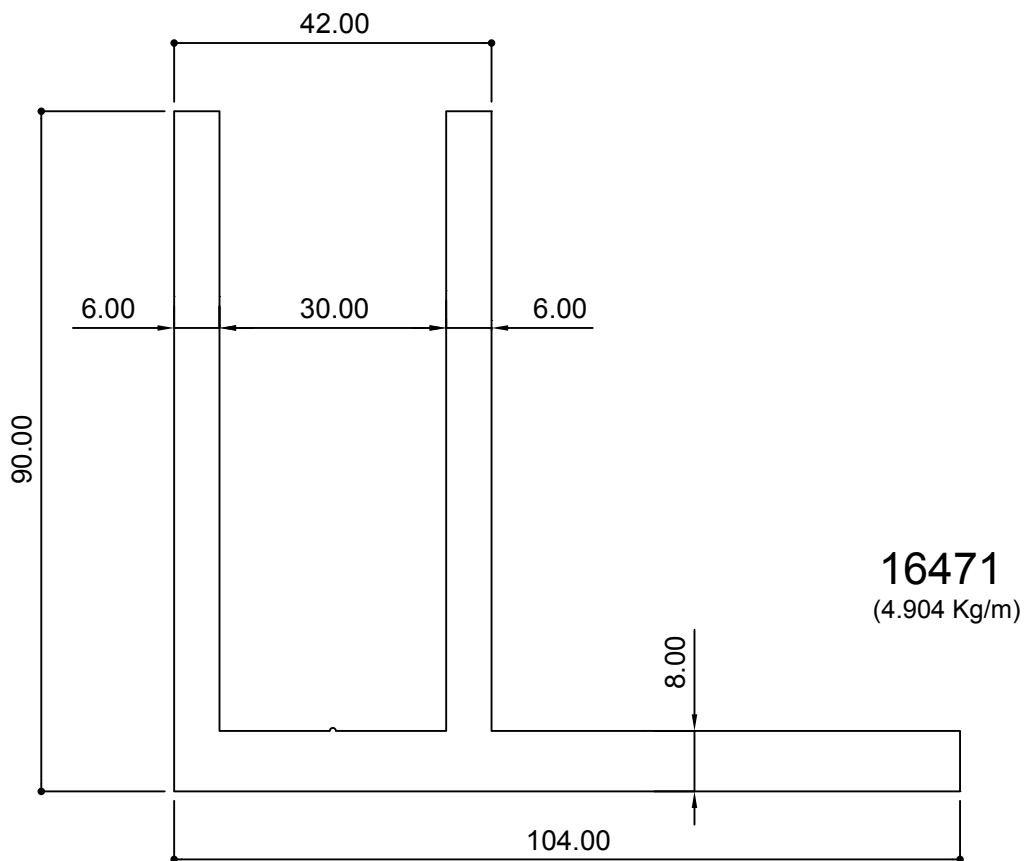
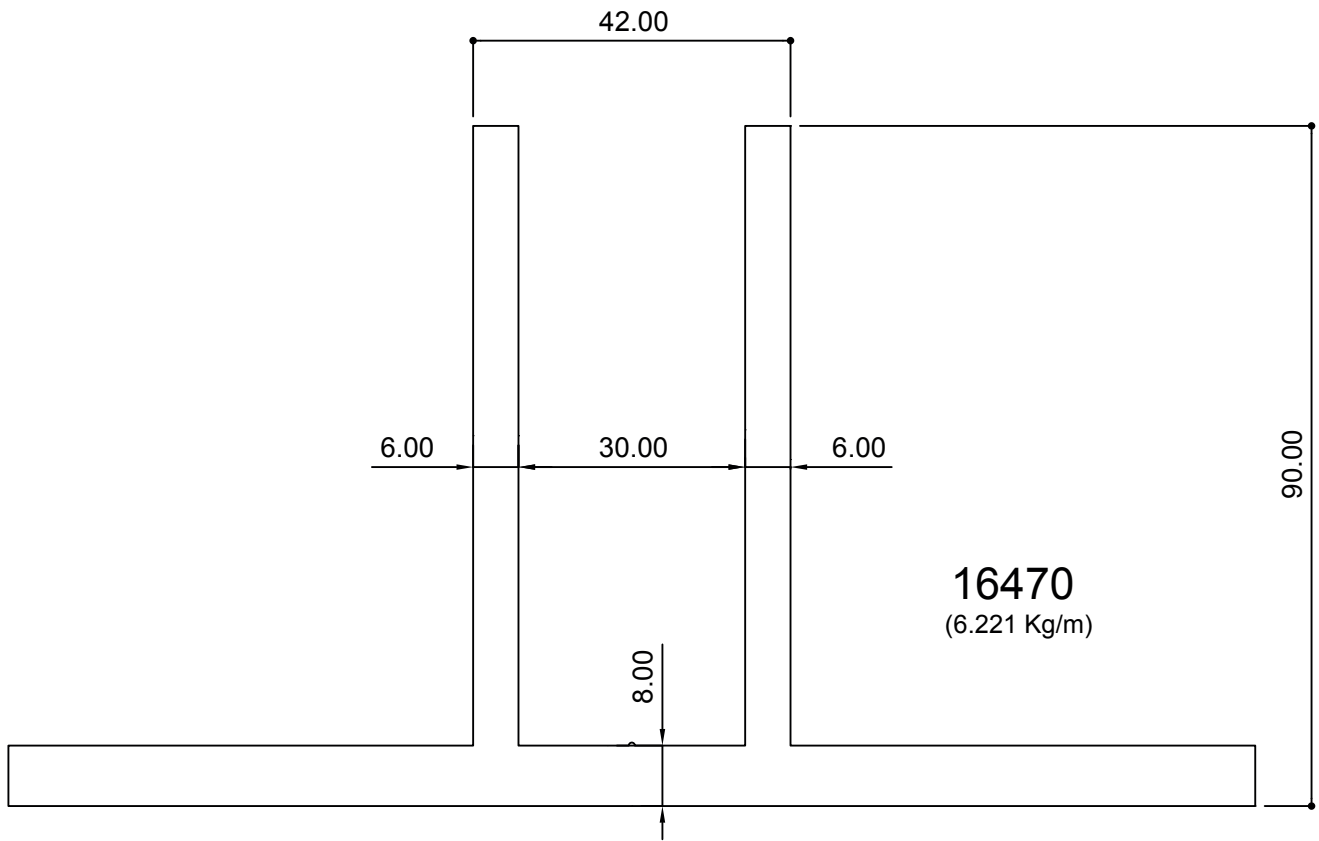
* For export, not recommended for GCC usage

Curtain Wall



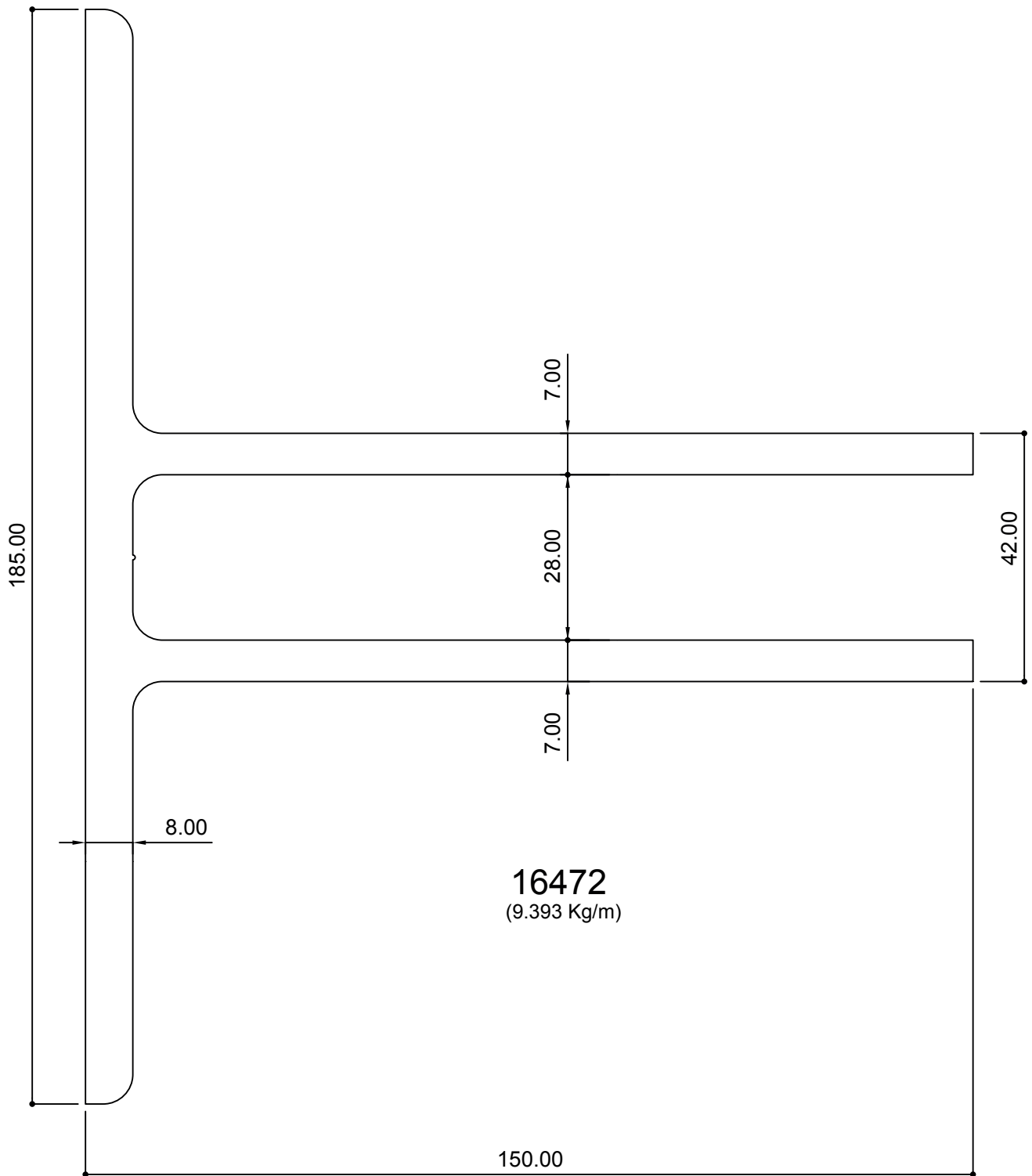
* For export, not recommended for GCC usage

Bracket



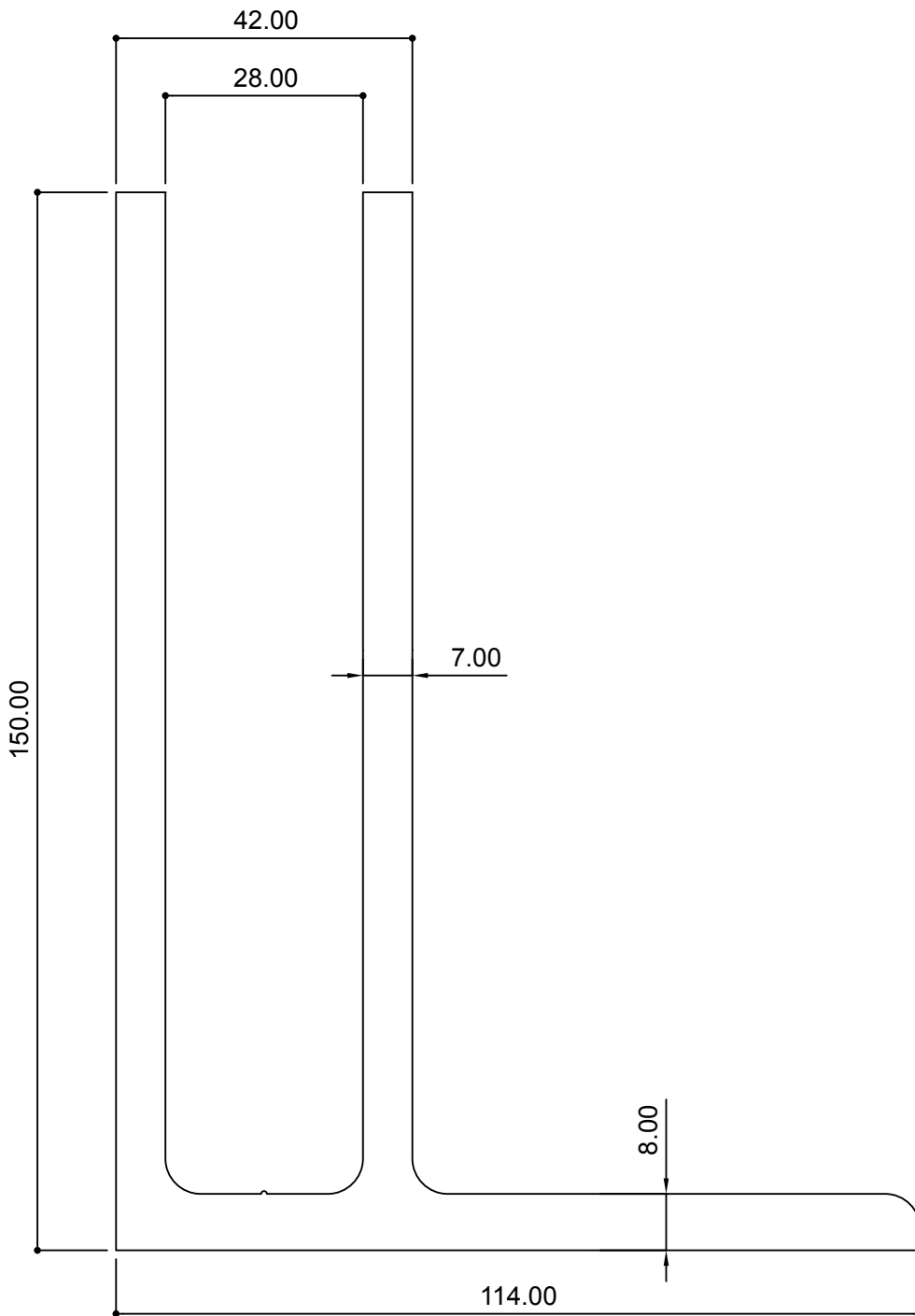
* For export, not recommended for GCC usage

Bracket



* For export, not recommended for GCC usage

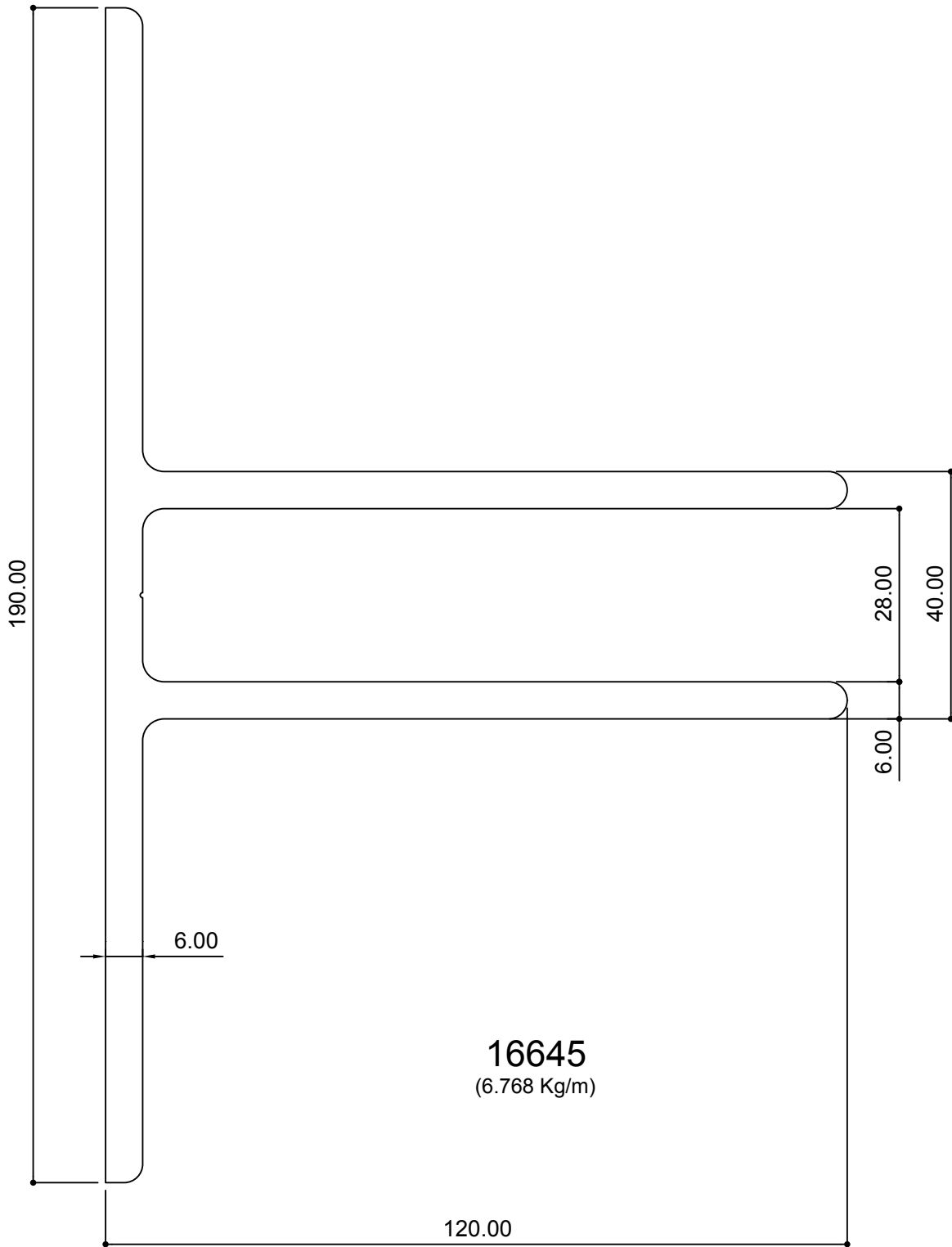
Bracket



16473
(7.859 Kg/m)

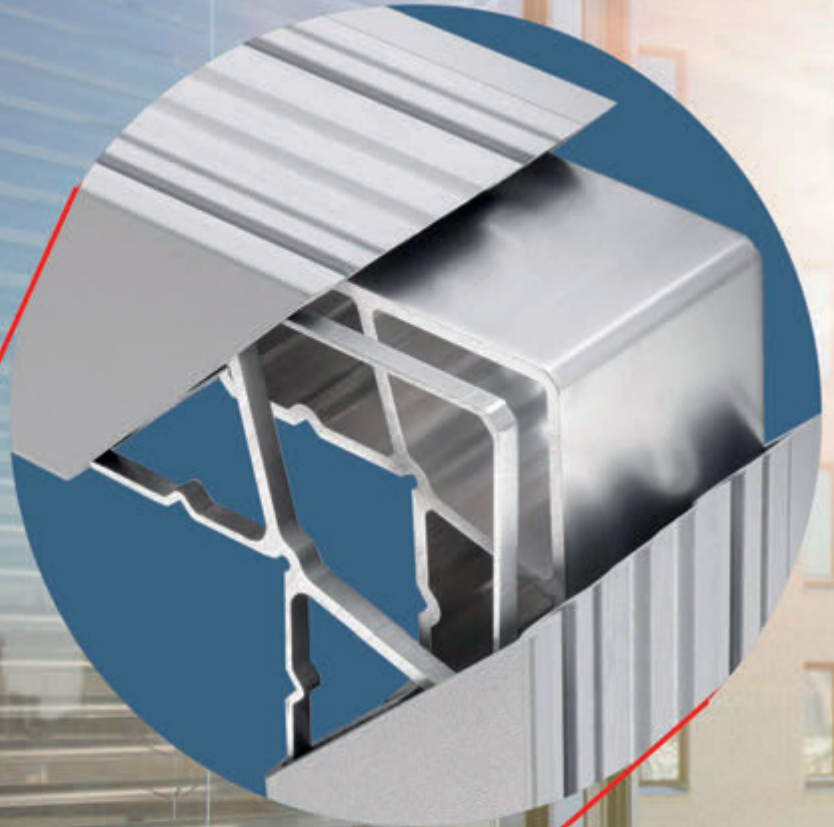
* For export, not recommended for GCC usage

Bracket

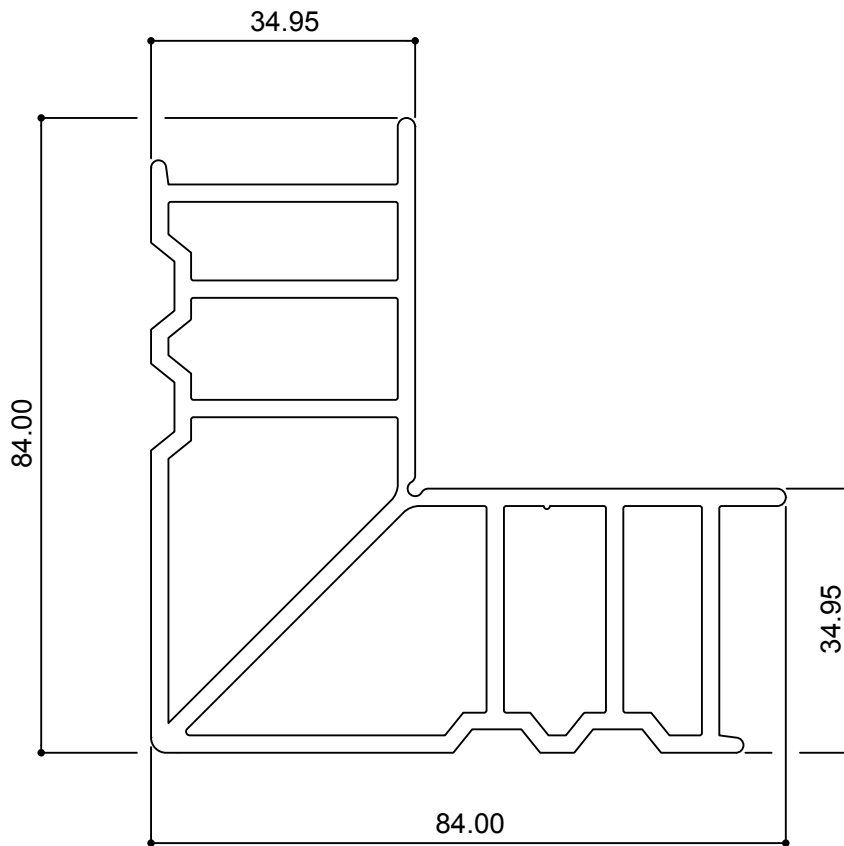
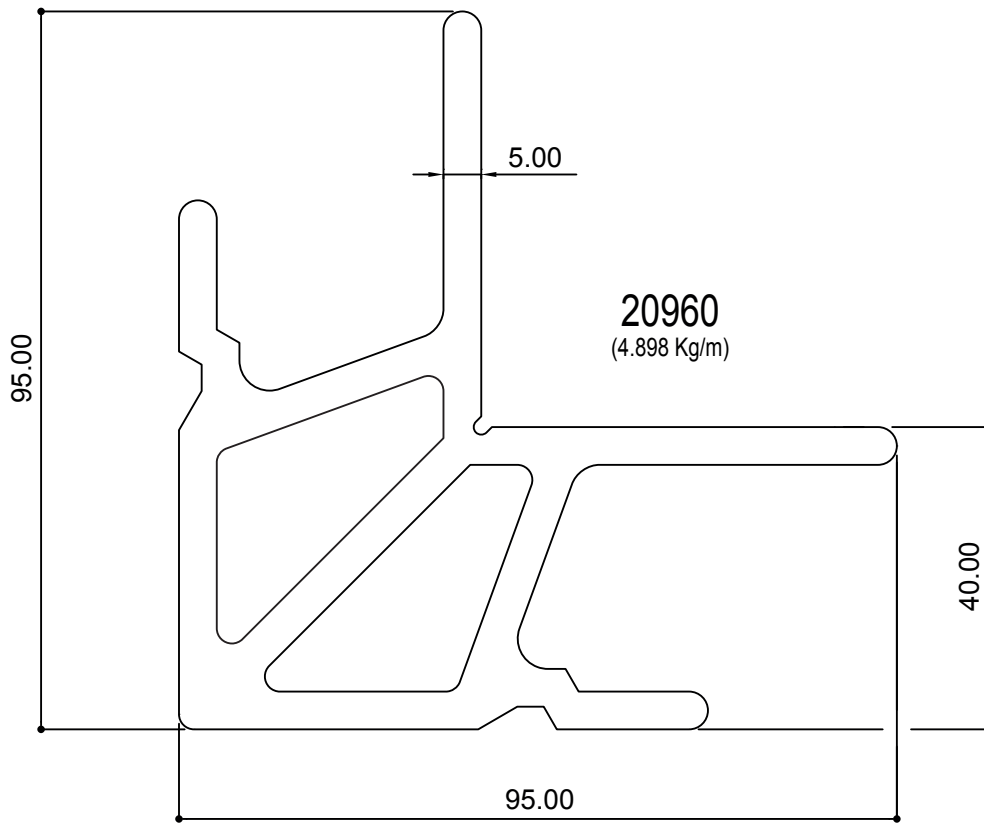


* For export, not recommended for GCC usage

Corner Cleats



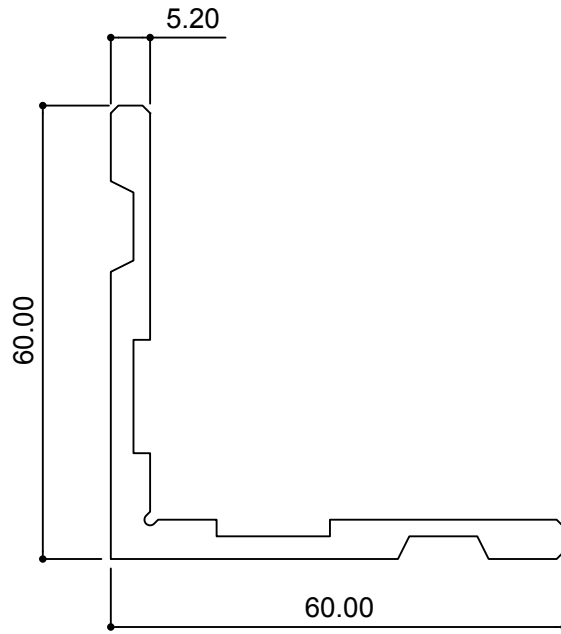
Corner Cleats



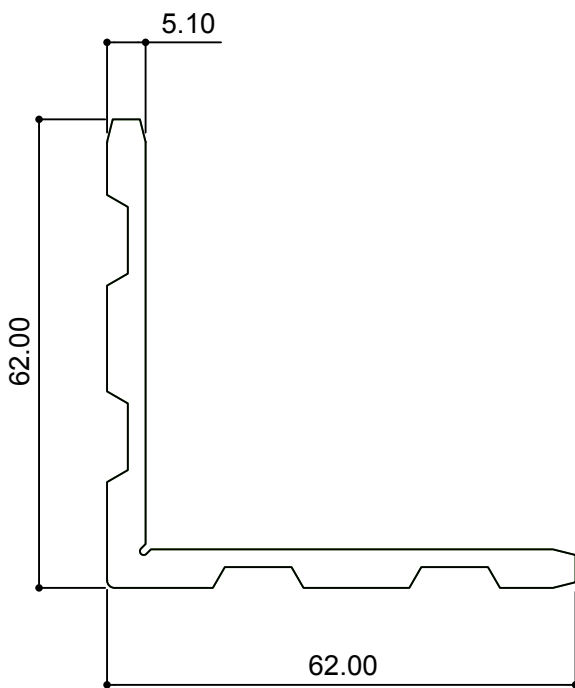
27493
(2.955 Kg/m)

* For export, not recommended for GCC usage

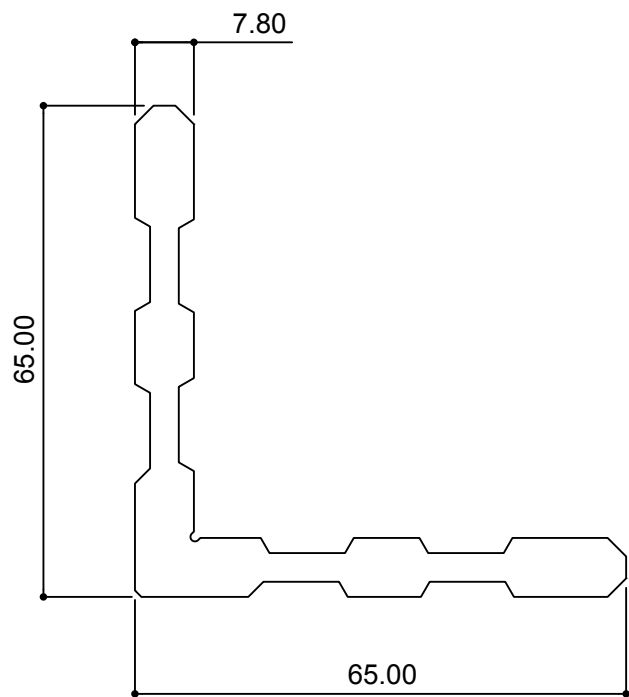
Corner Cleats



11051
(1.254 Kg/m)



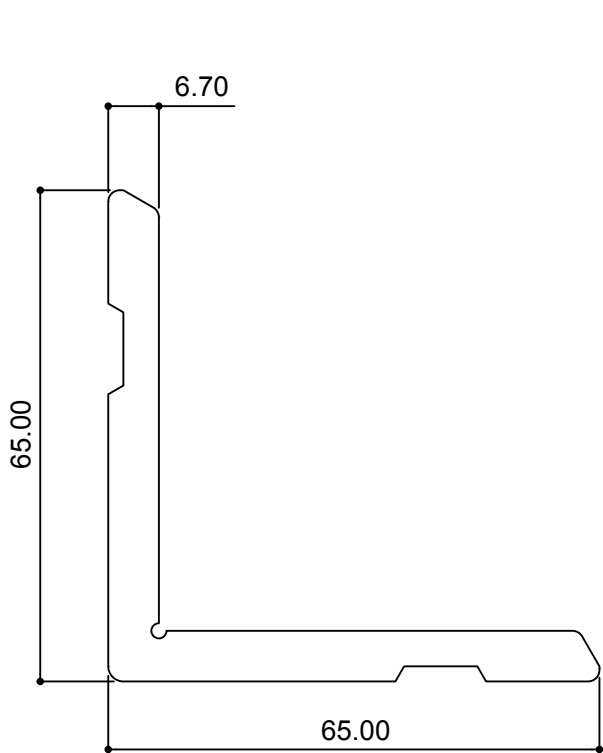
14372
(1.313 Kg/m)



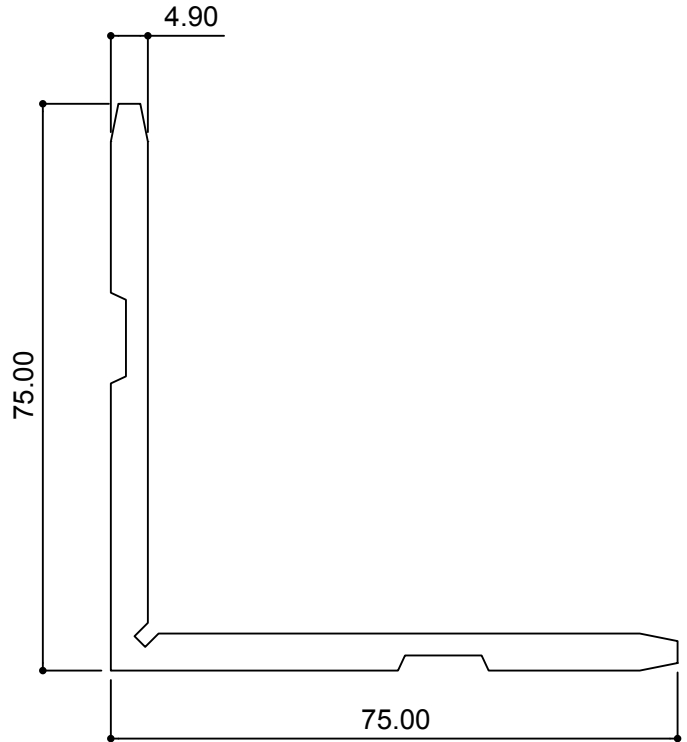
10288
(1.945 Kg/m)

* For export, not recommended for GCC usage

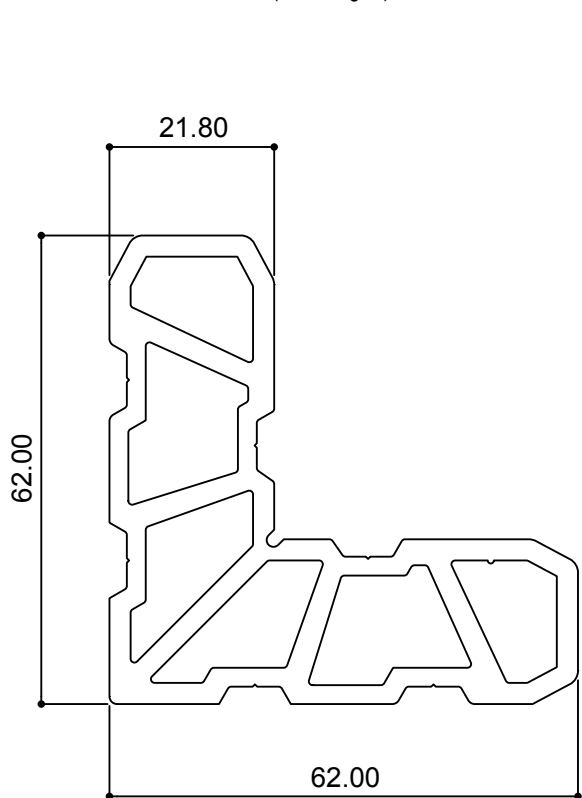
Corner Cleats



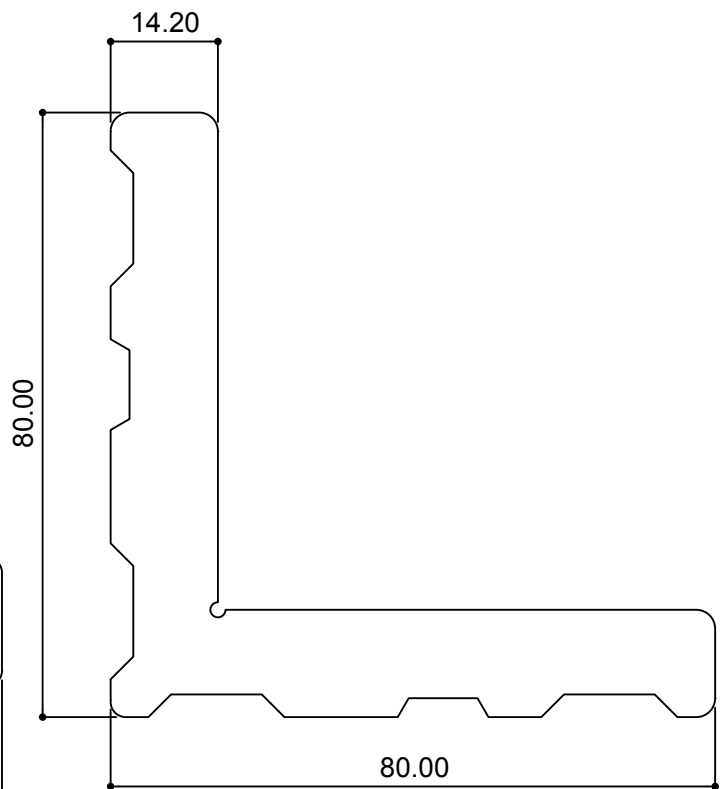
11743
(2.067 Kg/m)



11745
(1.762 Kg/m)



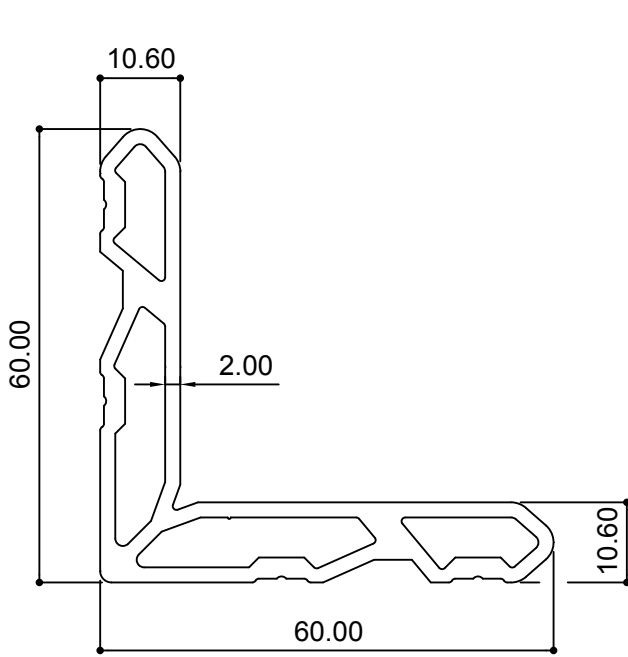
40066
(2.488 Kg/m)



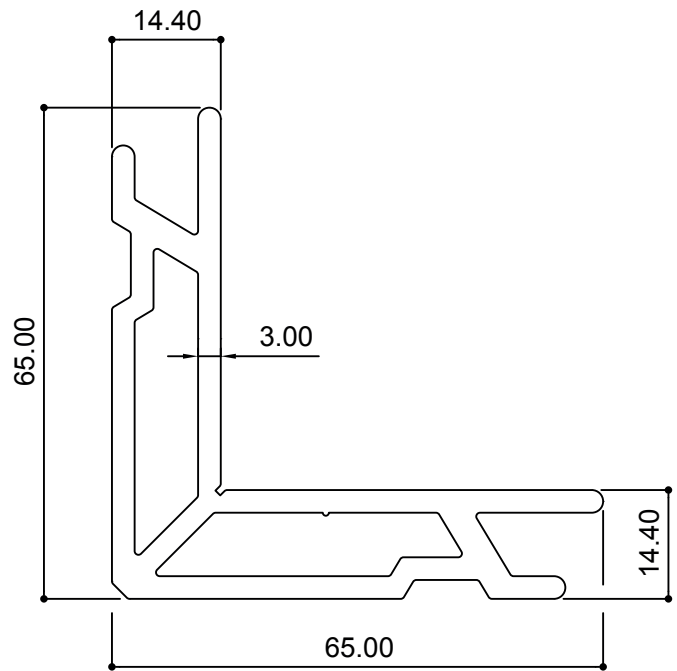
11744
(4.938 Kg/m)

* For export, not recommended for GCC usage

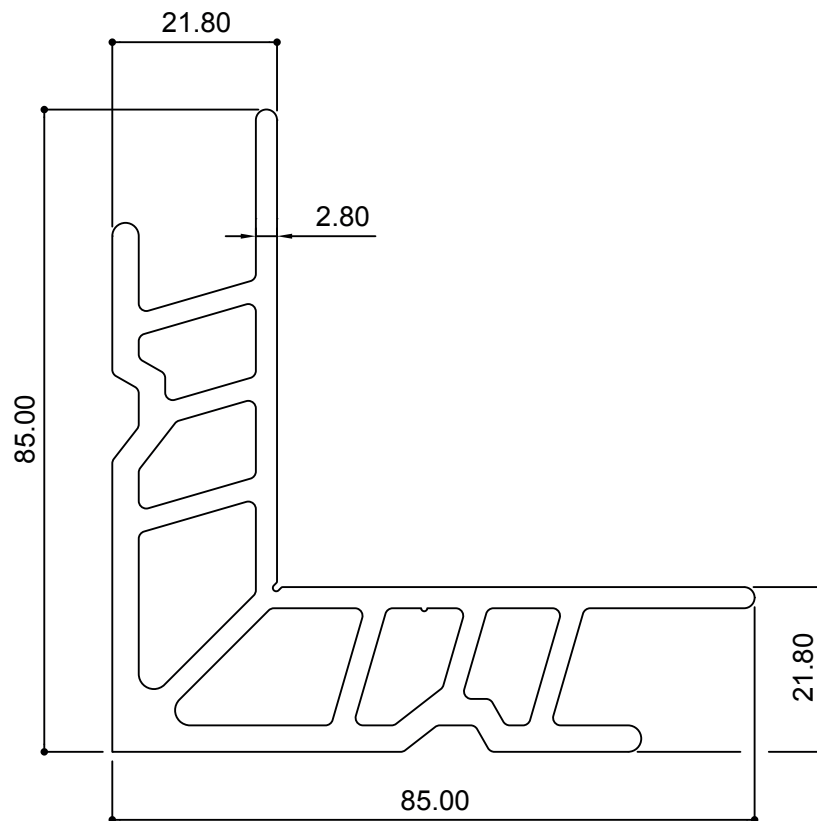
Corner Cleats



27246
(1.458 Kg/m)



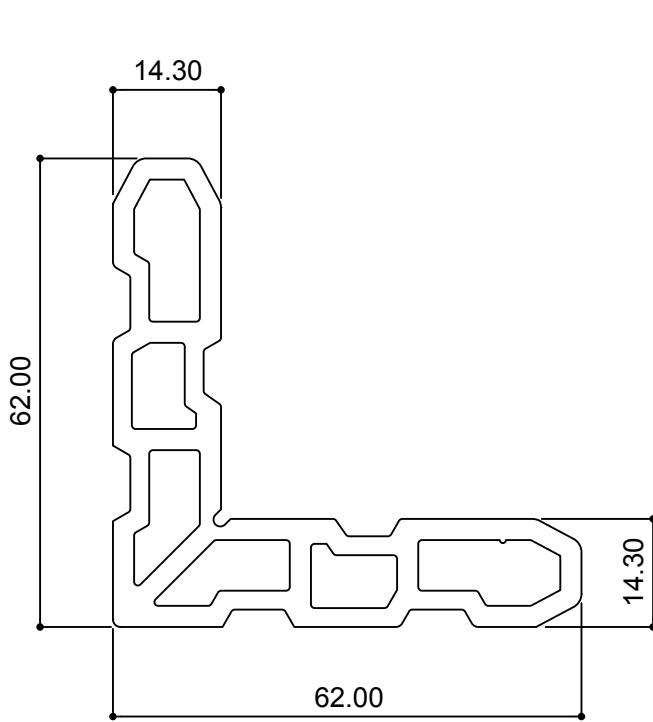
27256
(2.084 Kg/m)



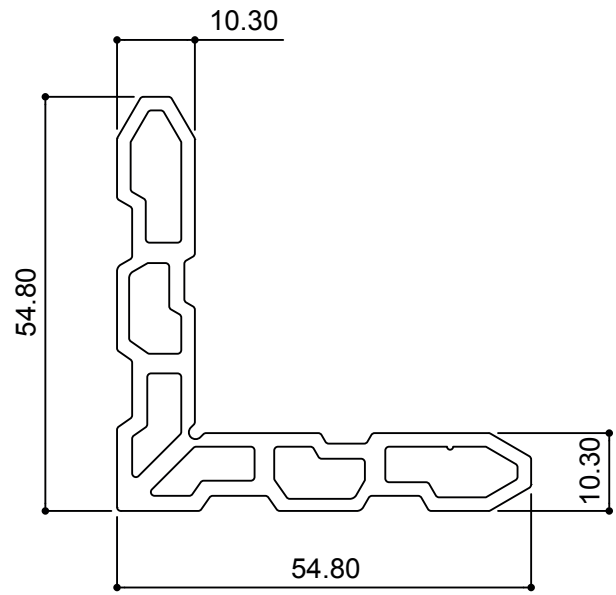
27257
(3.206 Kg/m)

* For export, not recommended for GCC usage

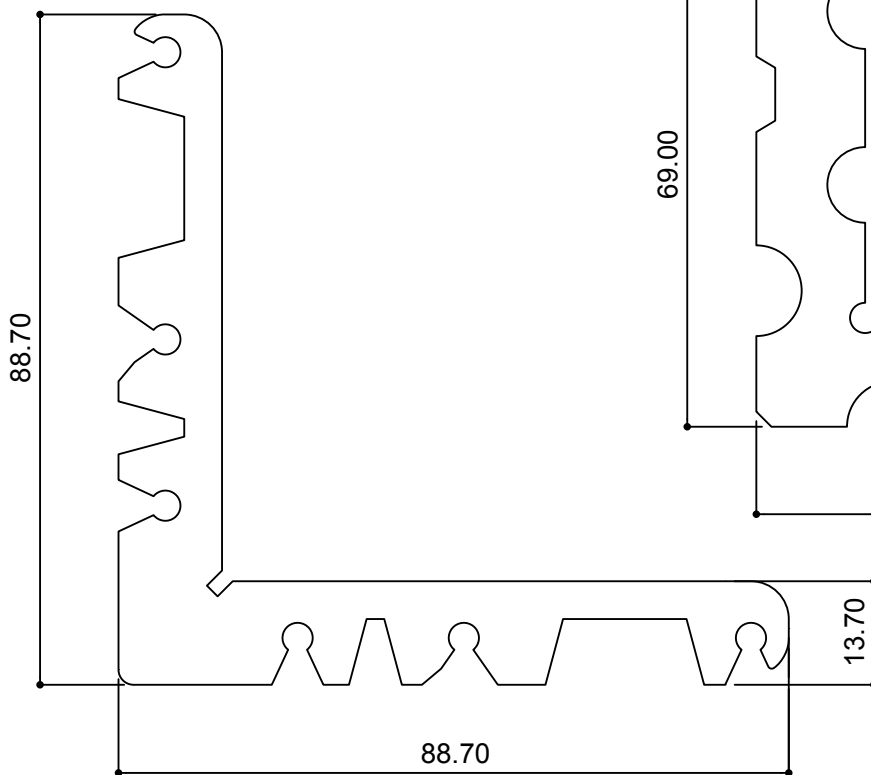
Corner Cleats



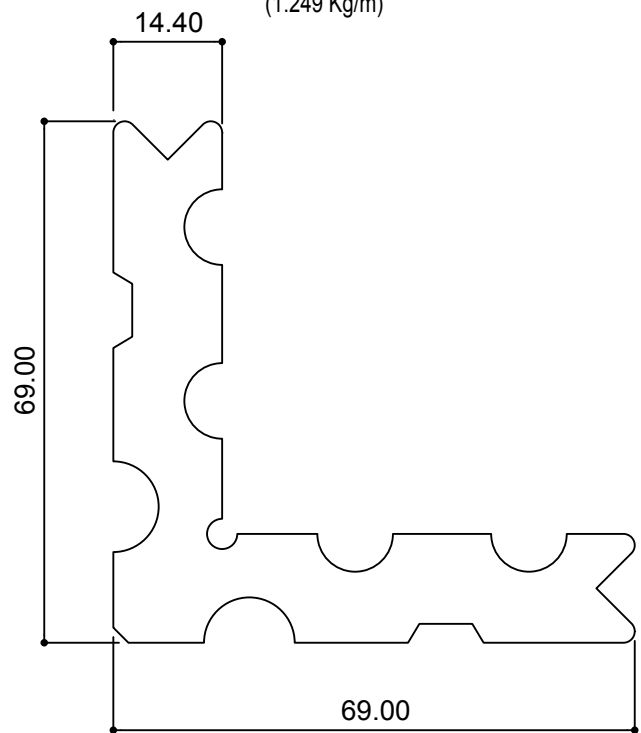
27495
(2.076 Kg/m)



27498
(1.249 Kg/m)



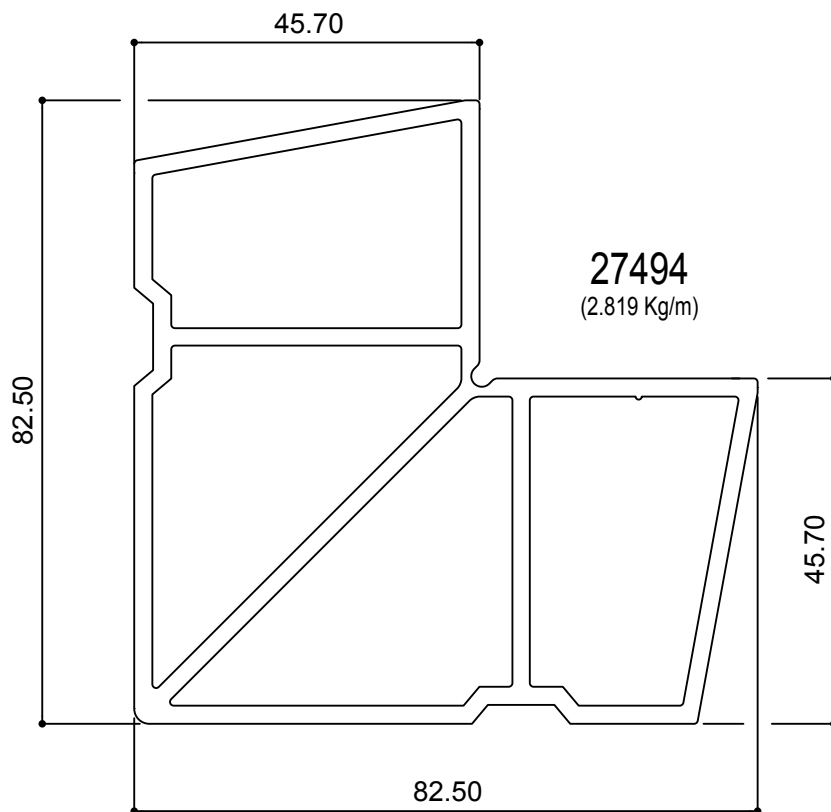
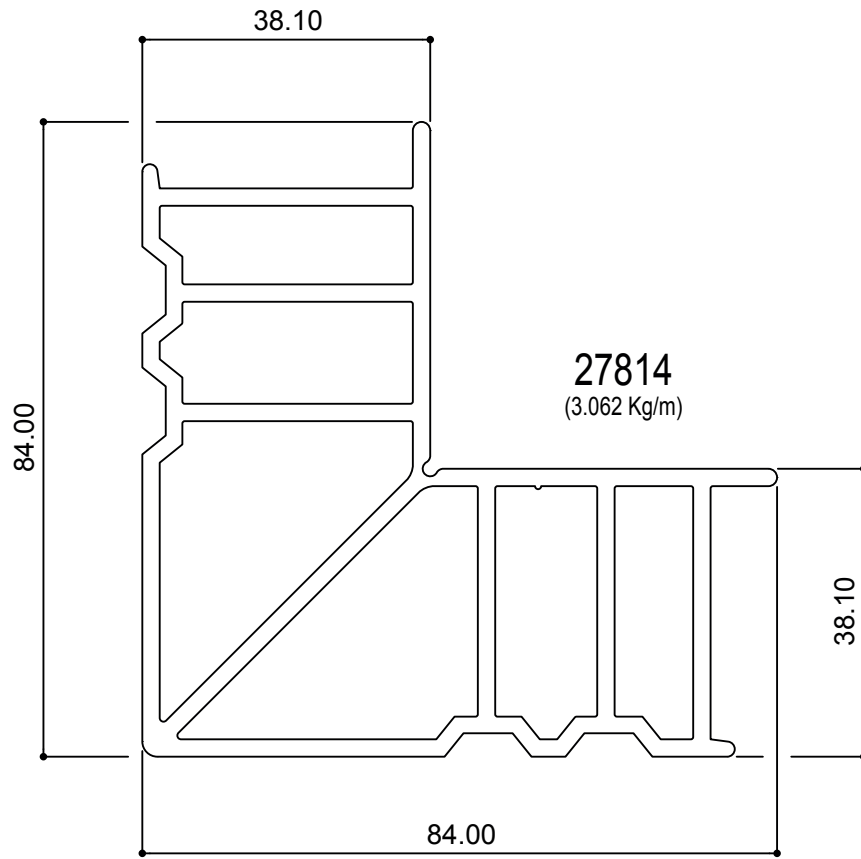
11221
(4.302 Kg/m)



10903
(3.785 Kg/m)

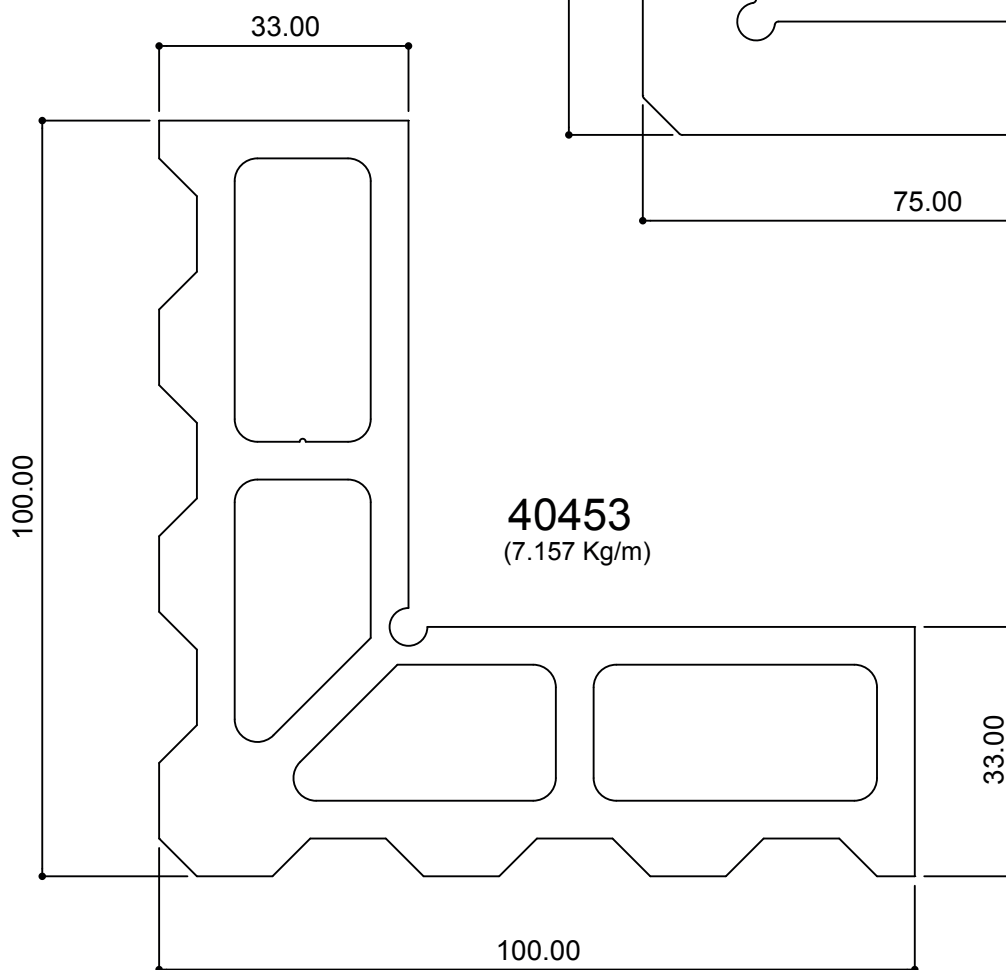
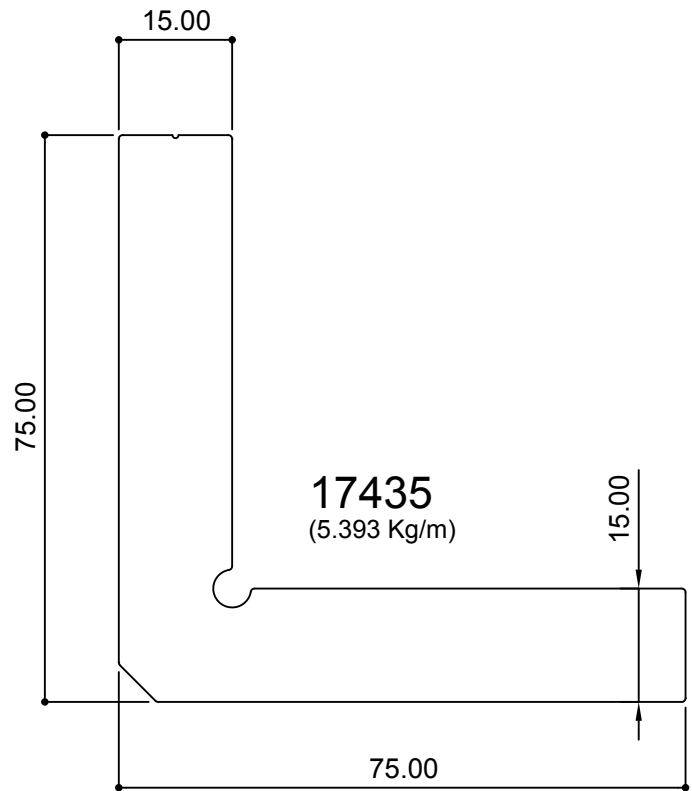
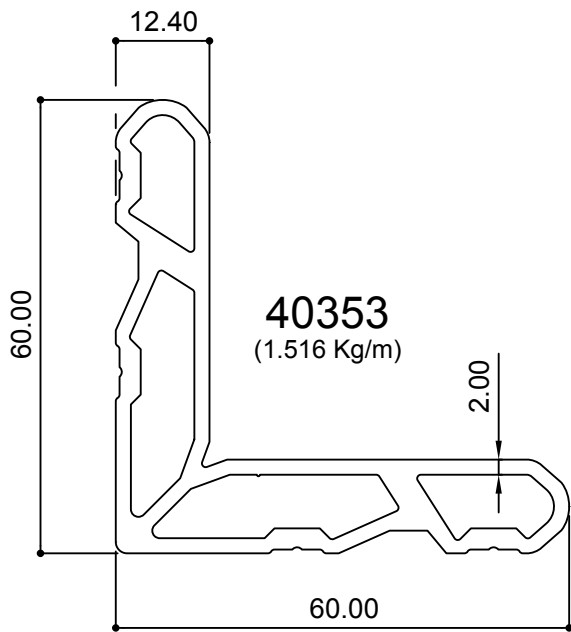
* For export, not recommended for GCC usage

Corner Cleats



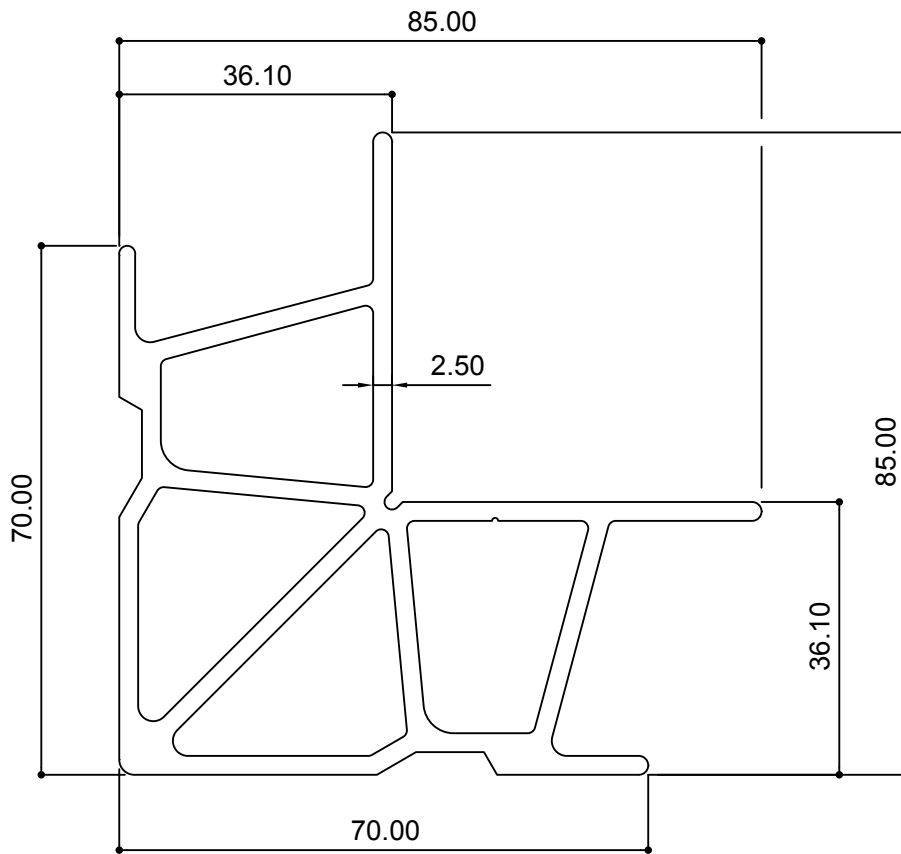
* For export, not recommended for GCC usage

Corner Cleats

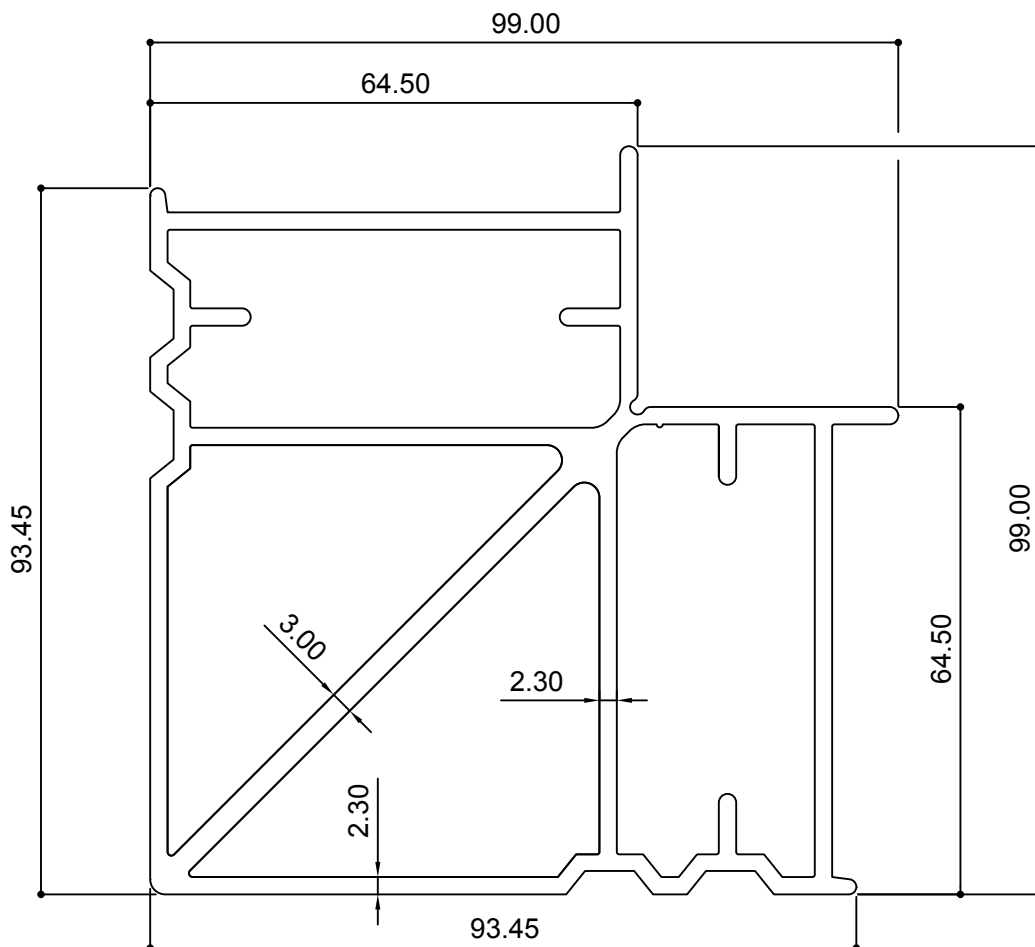


* For export, not recommended for GCC usage

Corner Cleat



40266
(2.852 Kg/m)



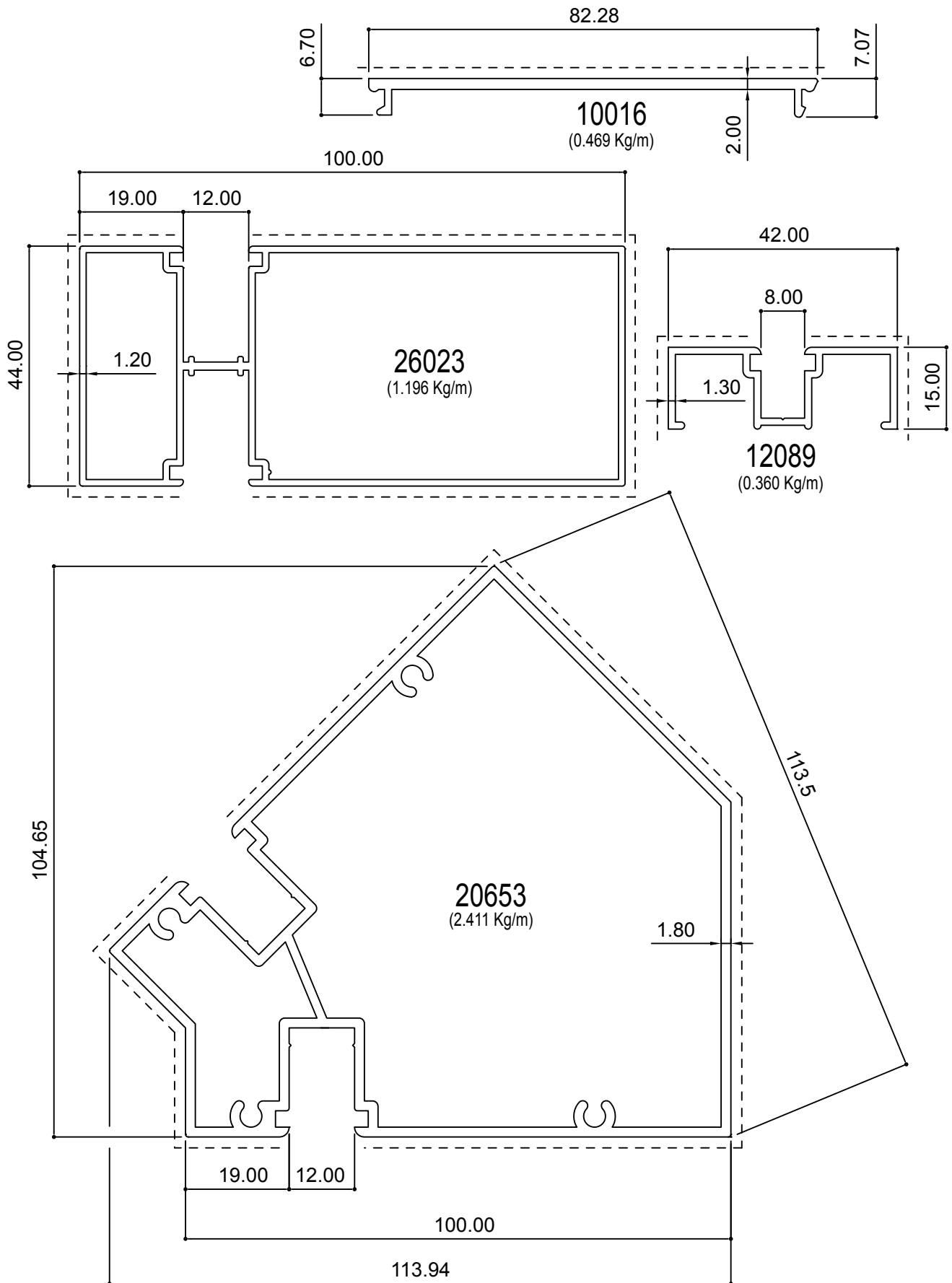
40263
(3.950 Kg/m)

* For export, not recommended for GCC usage

Shop Front



Shop Front

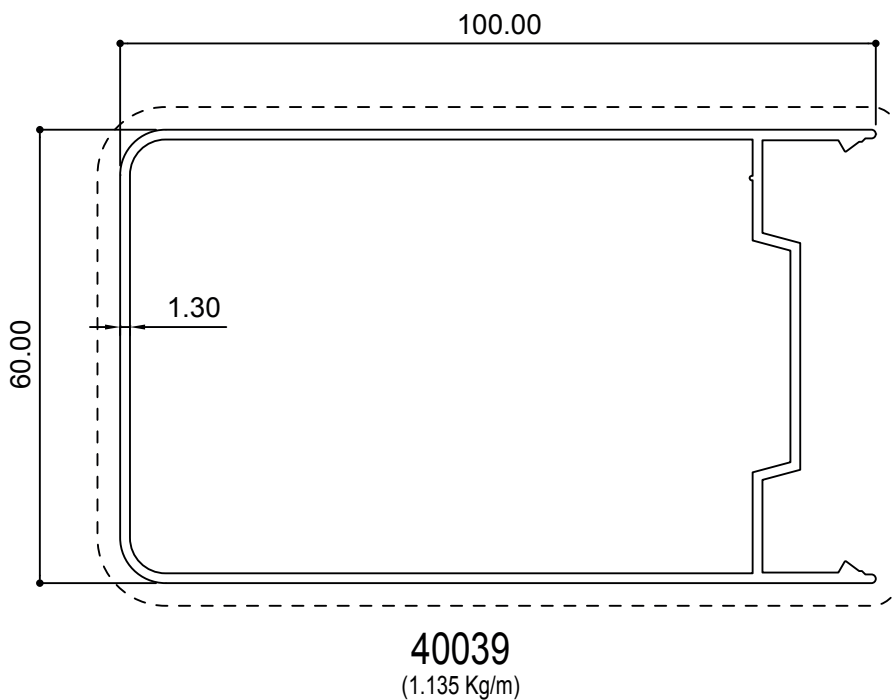
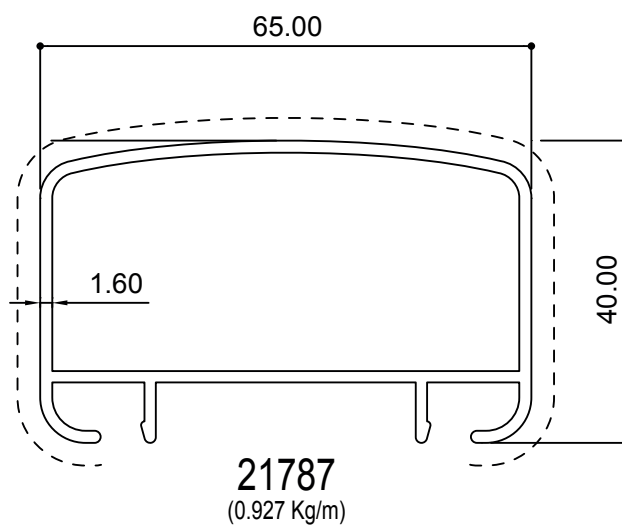
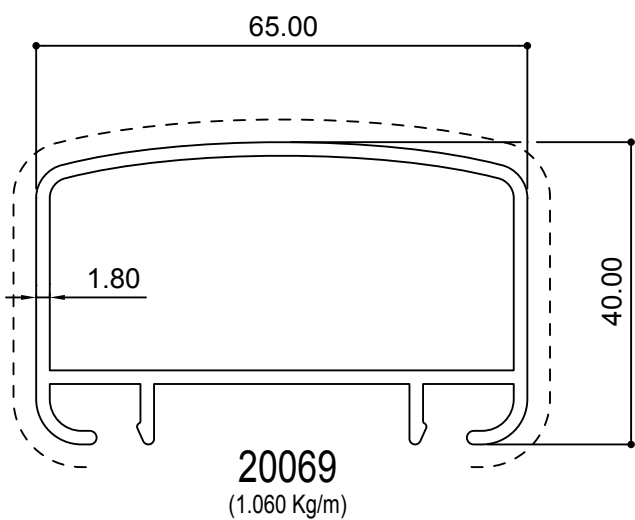
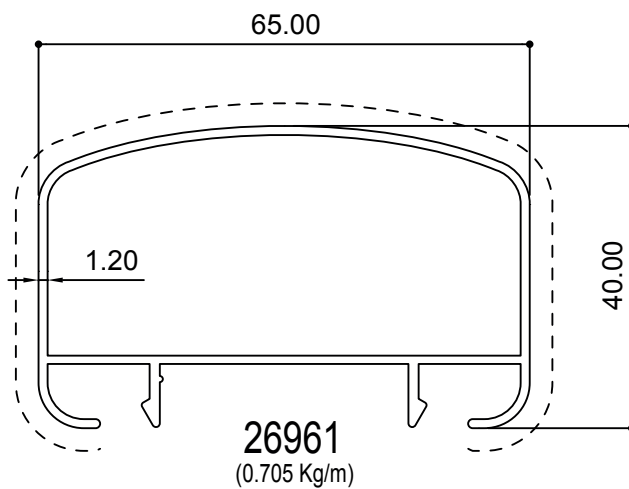


* For export, not recommended for GCC usage

Hand Rail

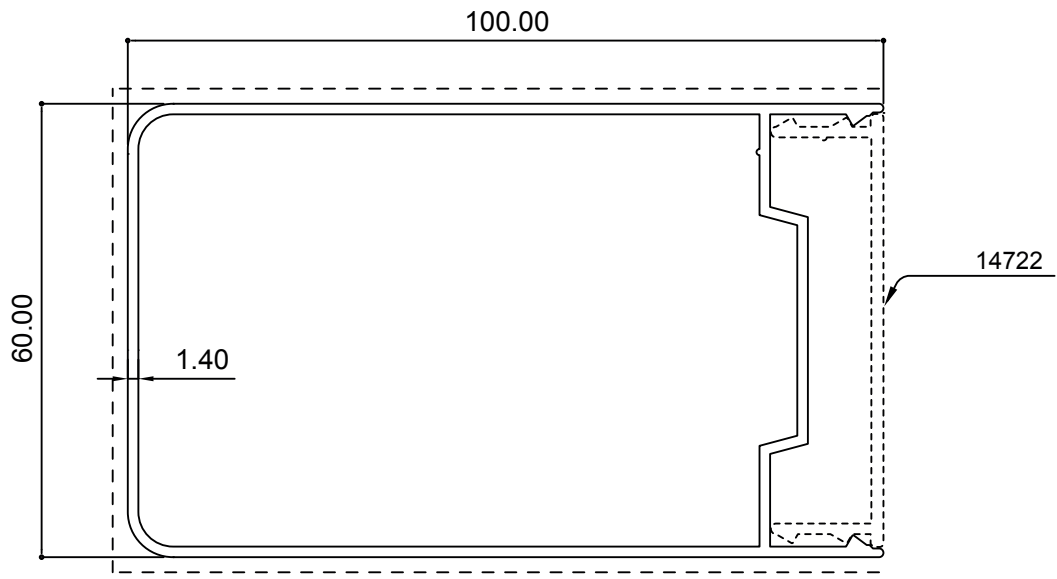


Hand Rail

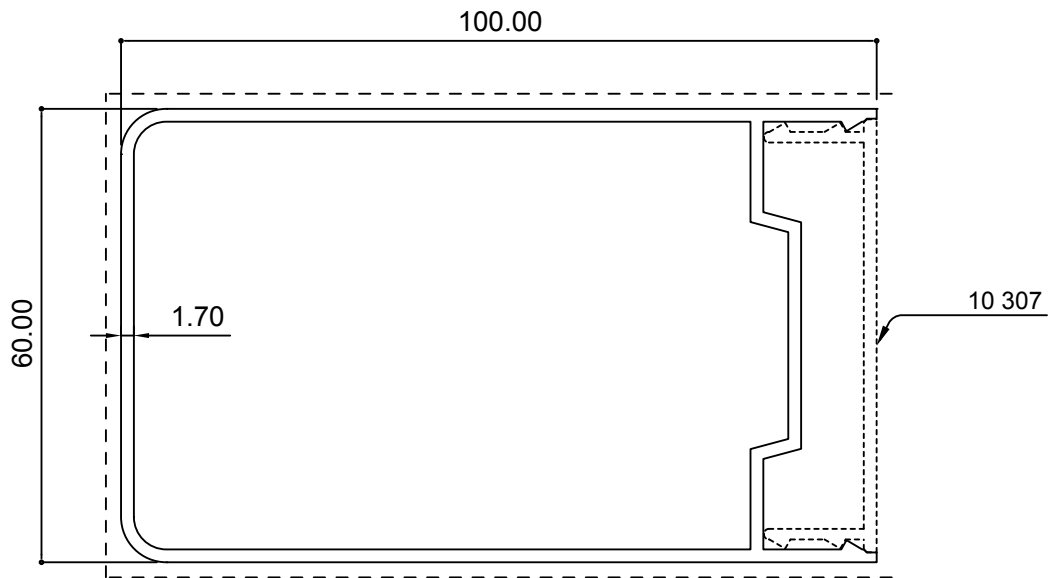


* For export, not recommended for GCC usage

Hand Rail



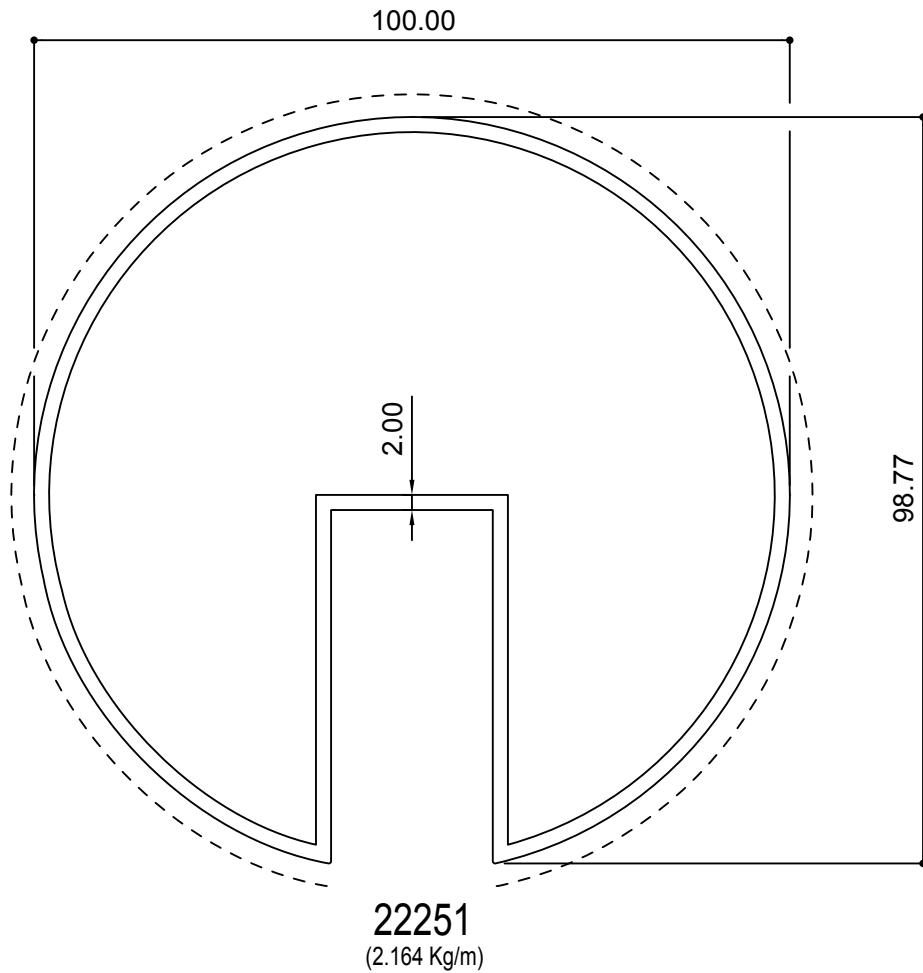
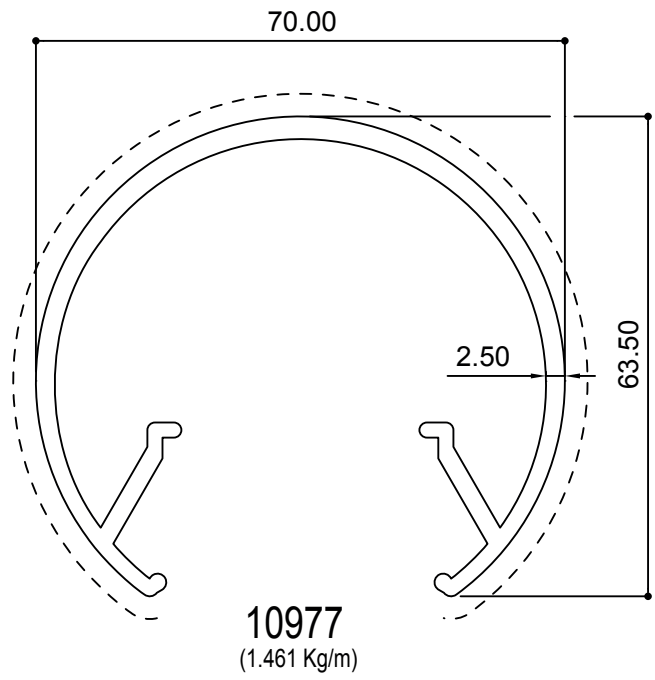
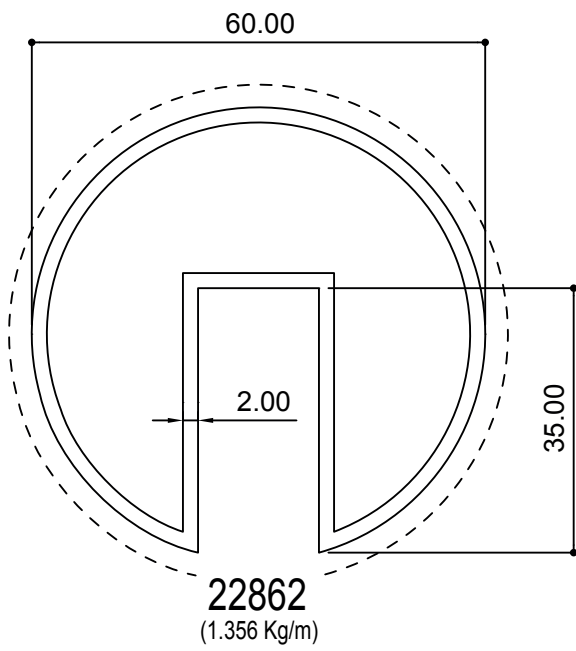
26024
(1.211 Kg/m)



20318
(1.475 Kg/m)

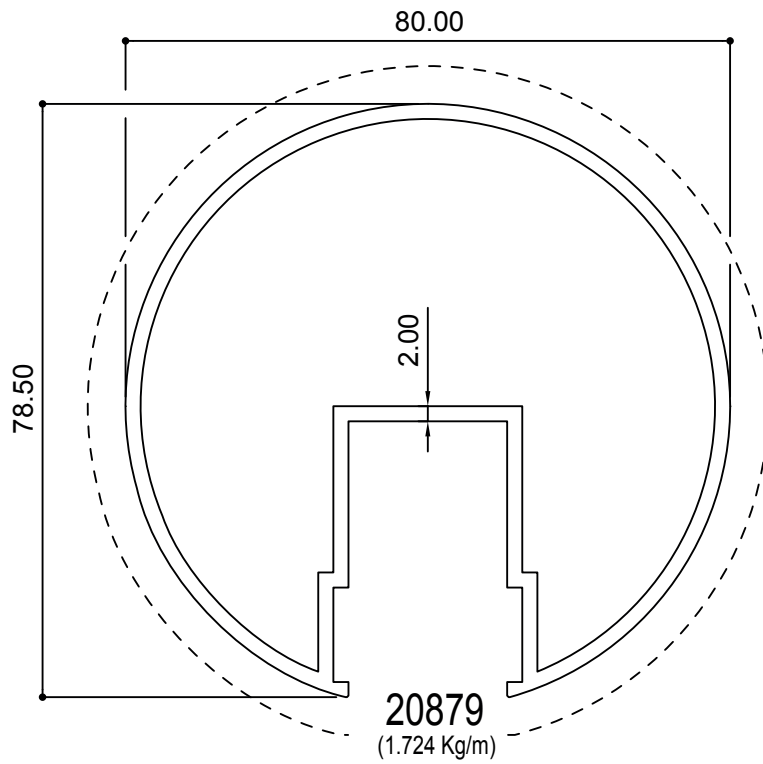
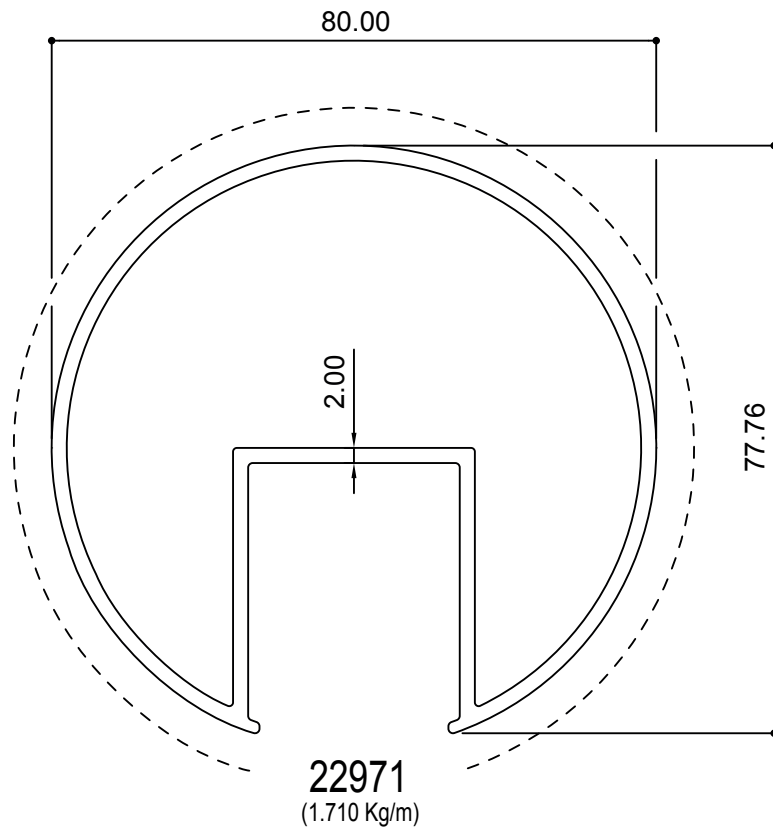
* For export, not recommended for GCC usage

Hand Rail



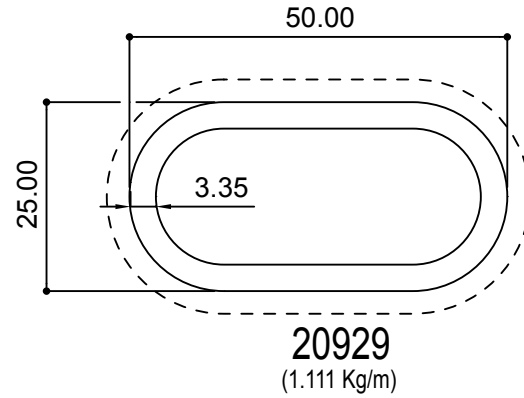
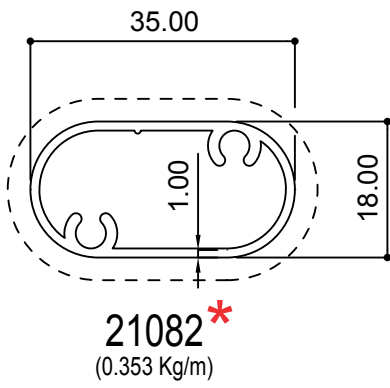
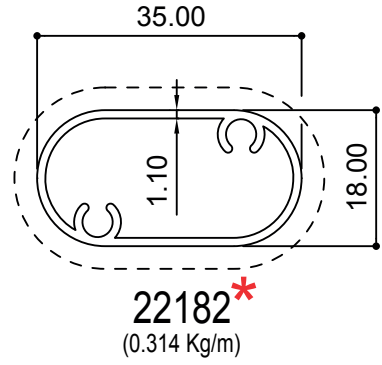
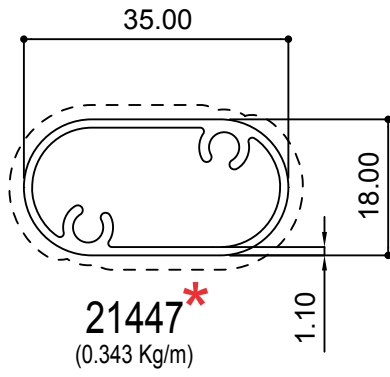
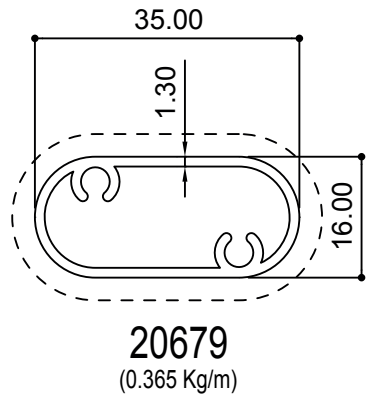
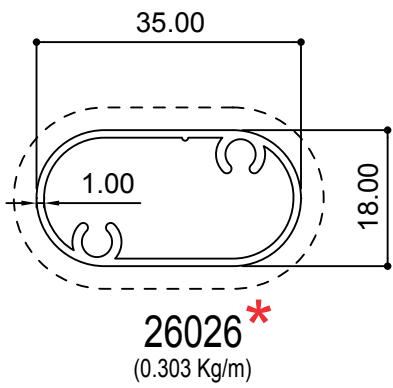
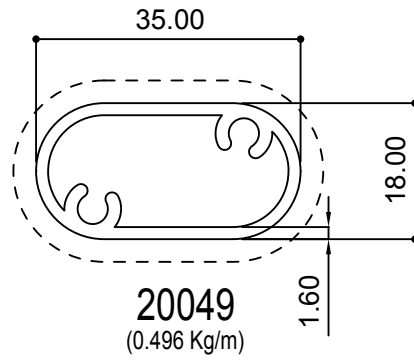
* For export, not recommended for GCC usage

Hand Rail



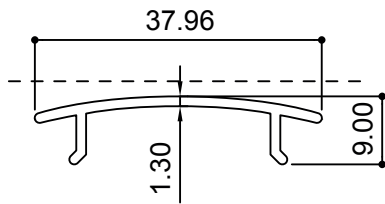
* For export, not recommended for GCC usage

Hand Rail

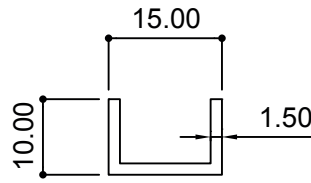


* For export, not recommended for GCC usage

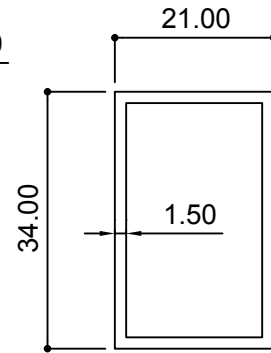
Hand Rail



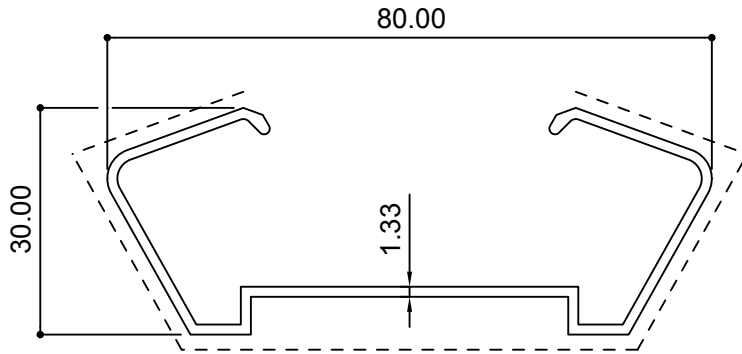
10344
(0.166 Kg/m)



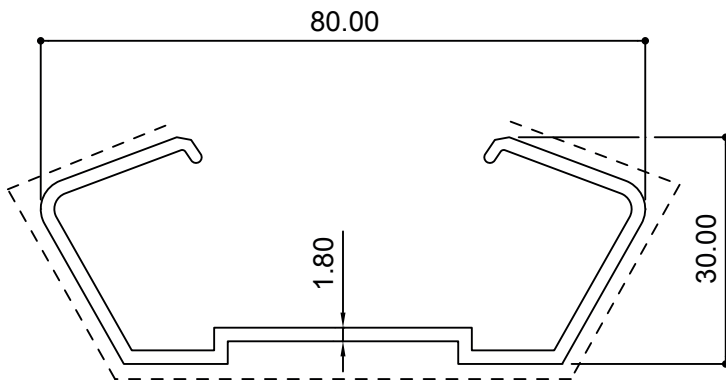
10980
(0.130 Kg/m)



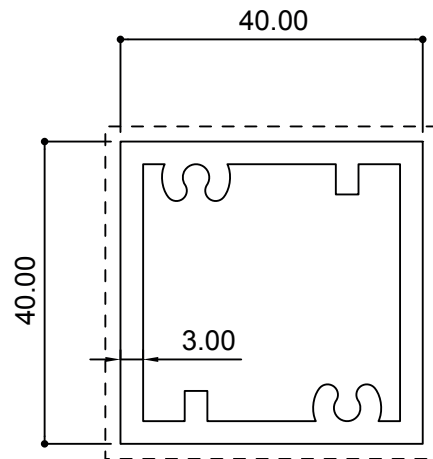
20880
(0.421 Kg/m)



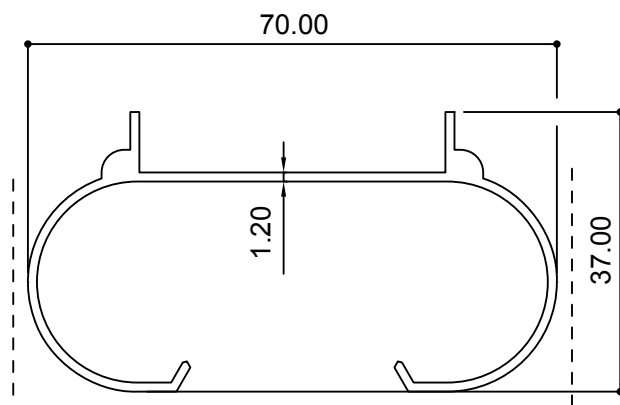
10246
(0.584 Kg/m)



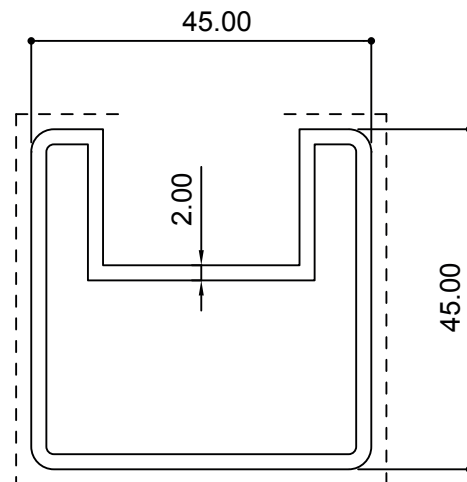
10015
(0.780 Kg/m)



20280
(1.405 Kg/m)



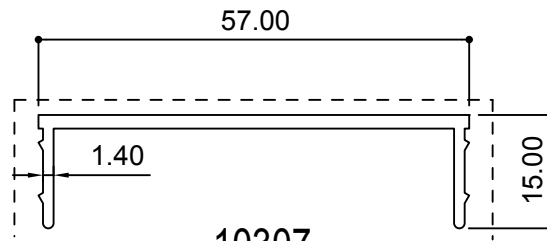
10343
(0.585 Kg/m)



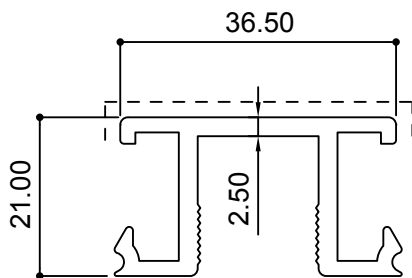
20192
(1.120 Kg/m)

* For export, not recommended for GCC usage

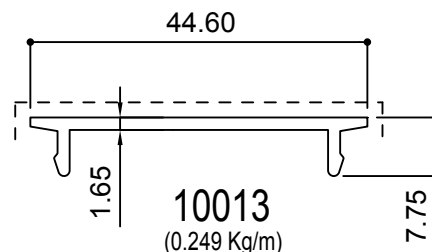
Hand Rail



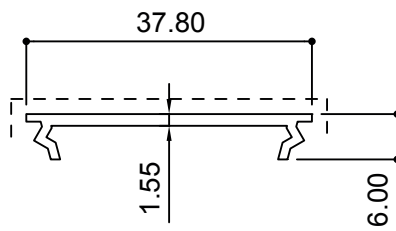
10307
(0.390 Kg/m)



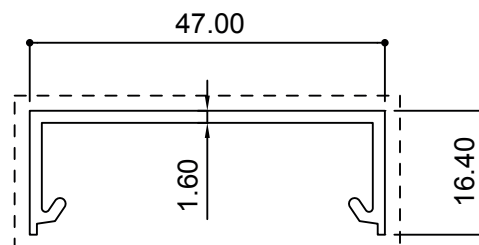
10978
(0.626 Kg/m)



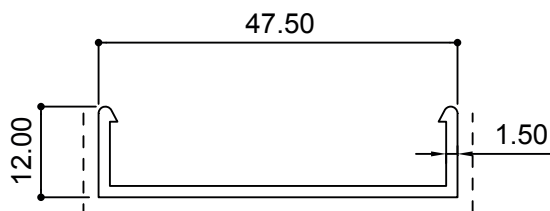
10013
(0.249 Kg/m)



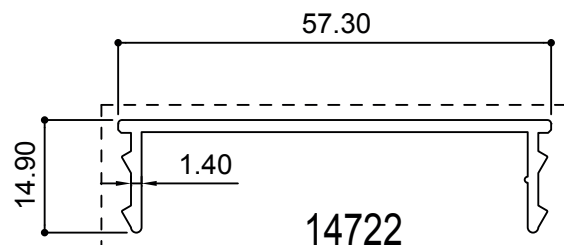
10163
(0.215 Kg/m)



10014
(0.361 Kg/m)



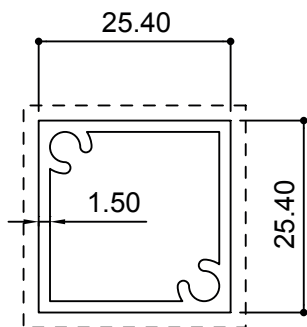
11148
(0.281 Kg/m)



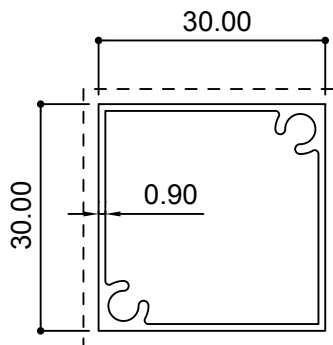
14722
(0.367 Kg/m)

* For export, not recommended for GCC usage

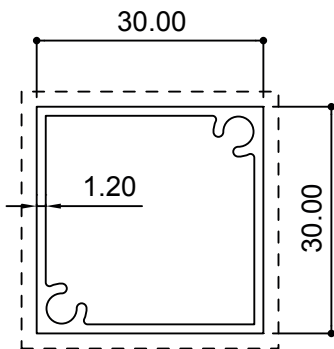
Hand Rail



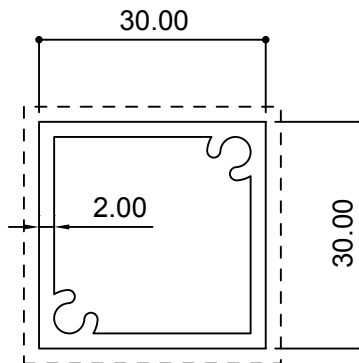
20104
(0.447 Kg/m)



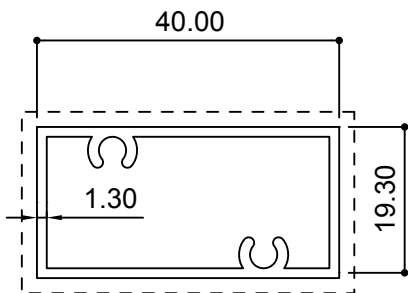
24341 *
(0.350 Kg/m)



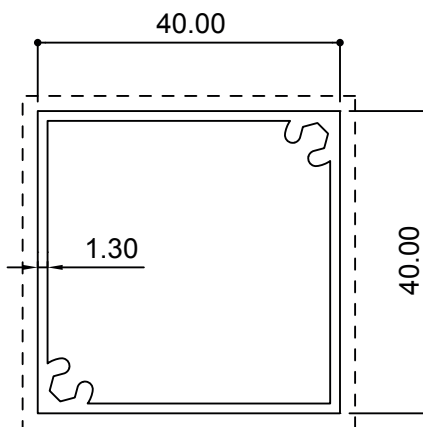
22634
(0.425 Kg/m)



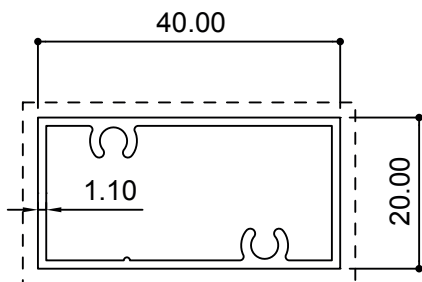
20014
(0.664 Kg/m)



20101
(0.470 Kg/m)



20621
(0.624 Kg/m)



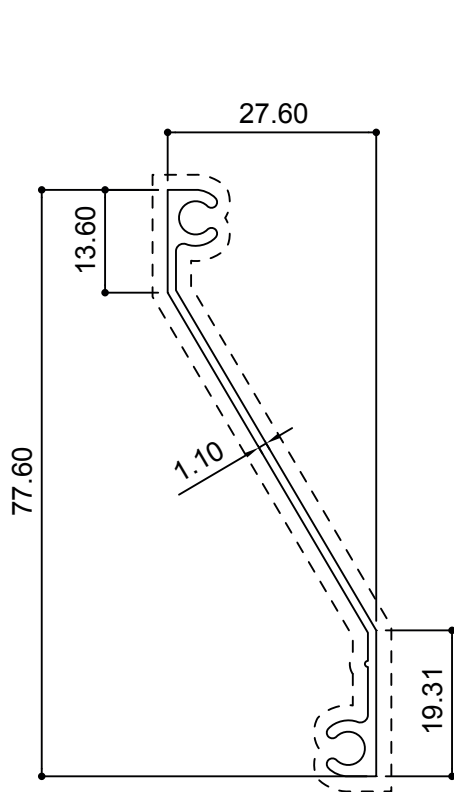
26177 *
(0.410 Kg/m)

* For export, not recommended for GCC usage

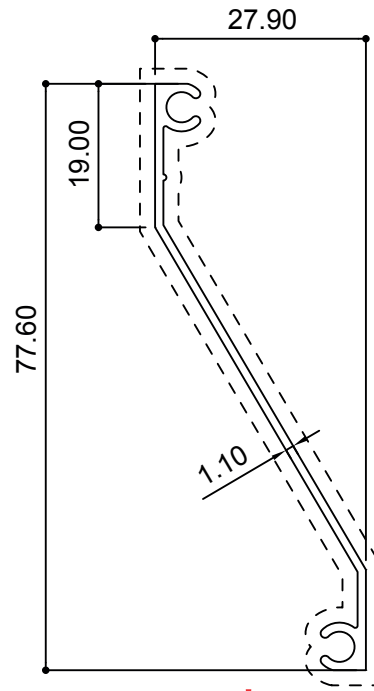
Louvers



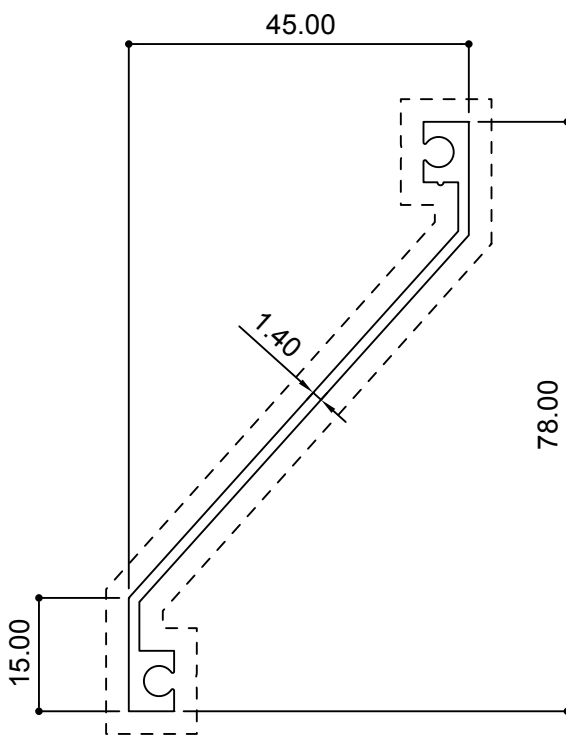
Louvers



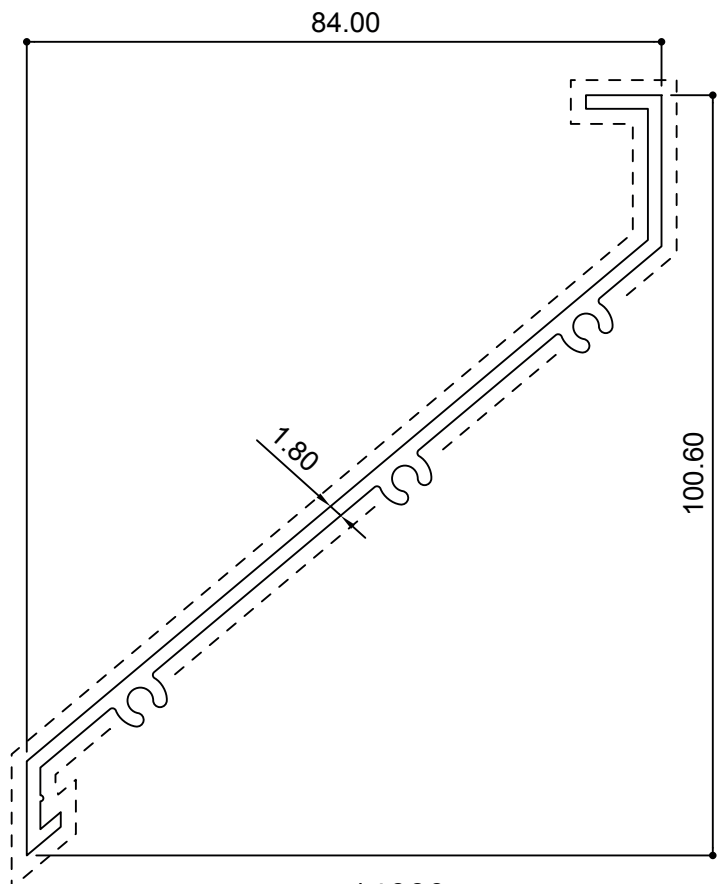
13135 *
(0.362 Kg/m)



14590 *
(0.330 Kg/m)



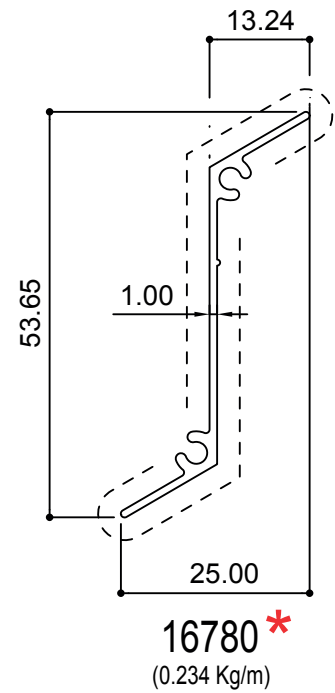
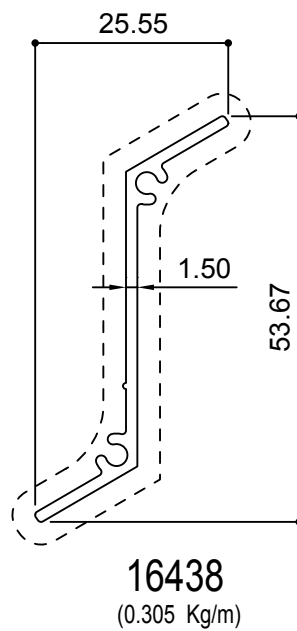
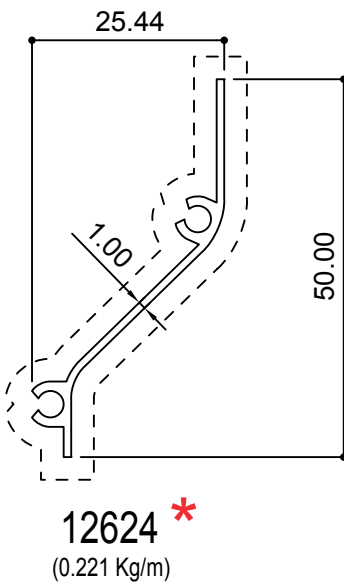
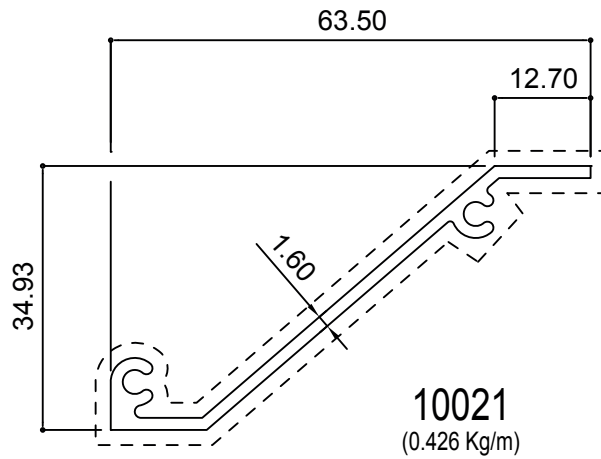
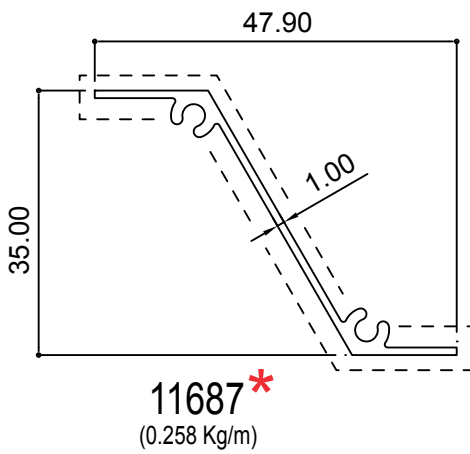
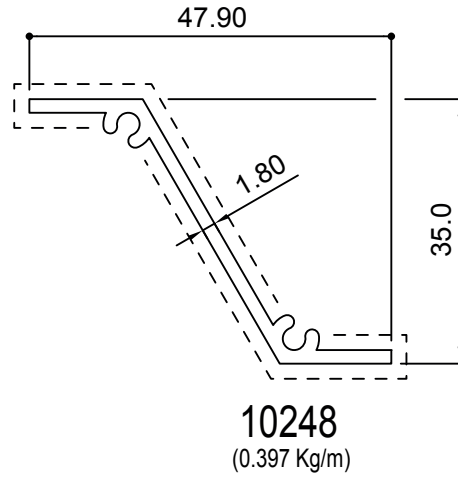
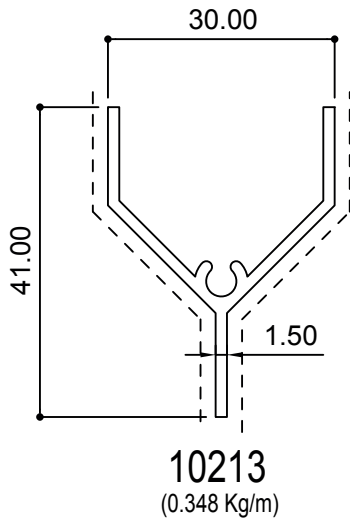
16589
(0.488 Kg/m)



14683
(0.857 Kg/m)

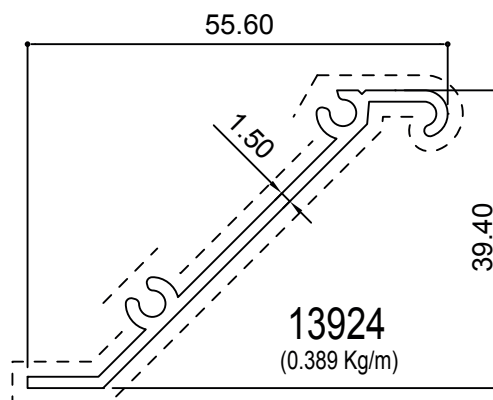
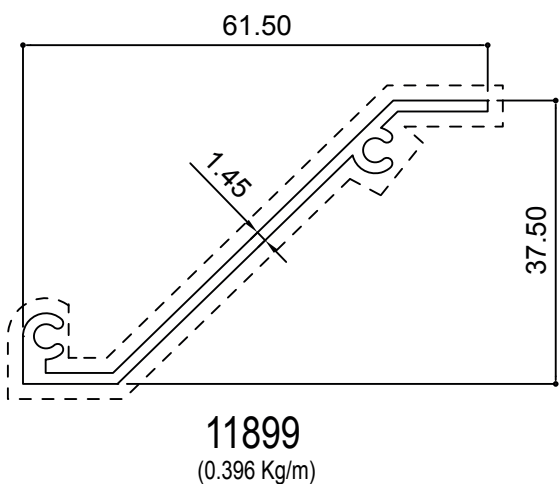
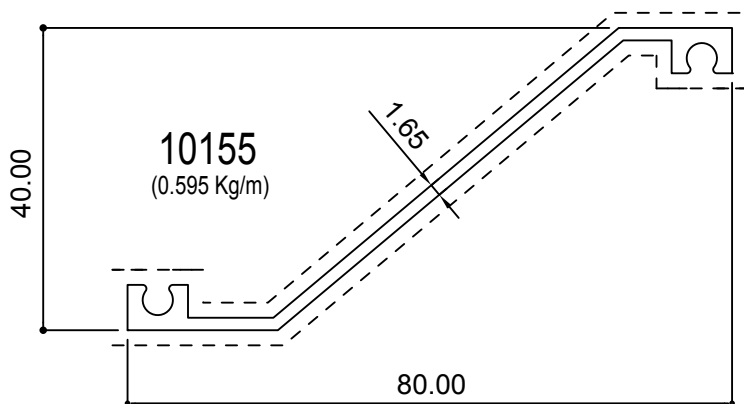
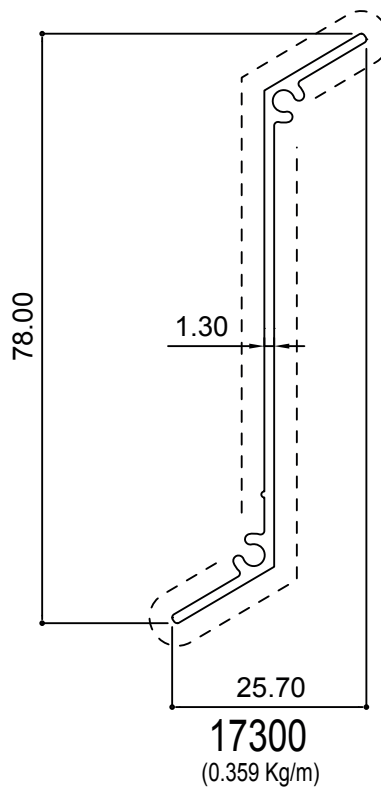
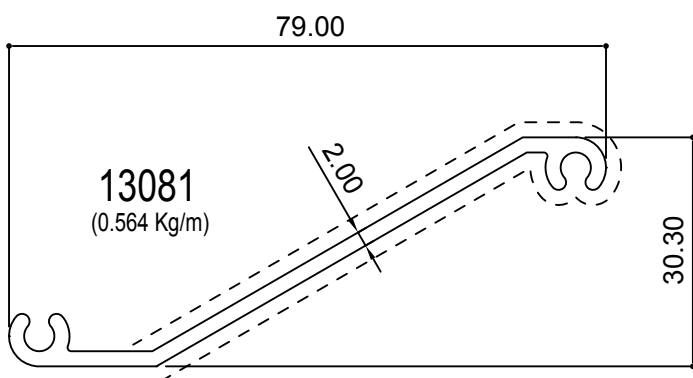
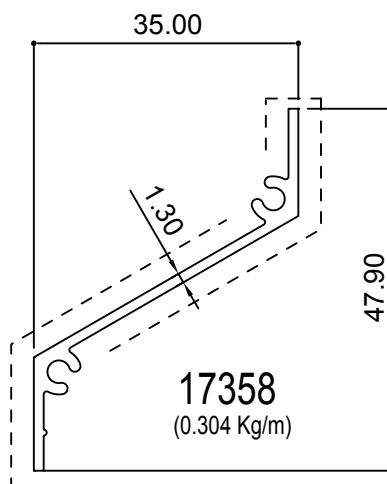
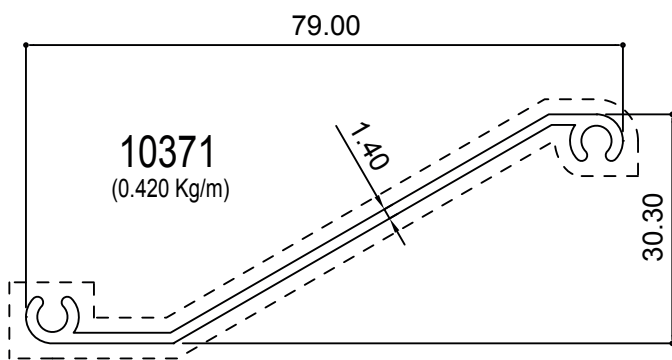
* For export, not recommended for GCC usage

Louvers



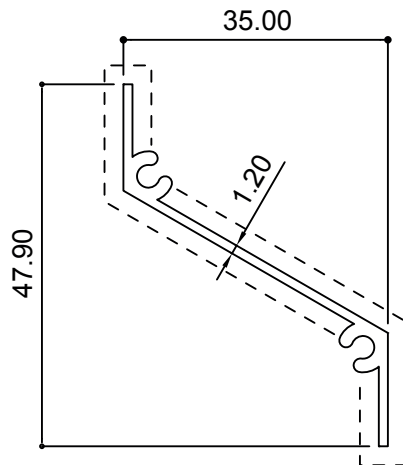
* For export, not recommended for GCC usage

Louvers

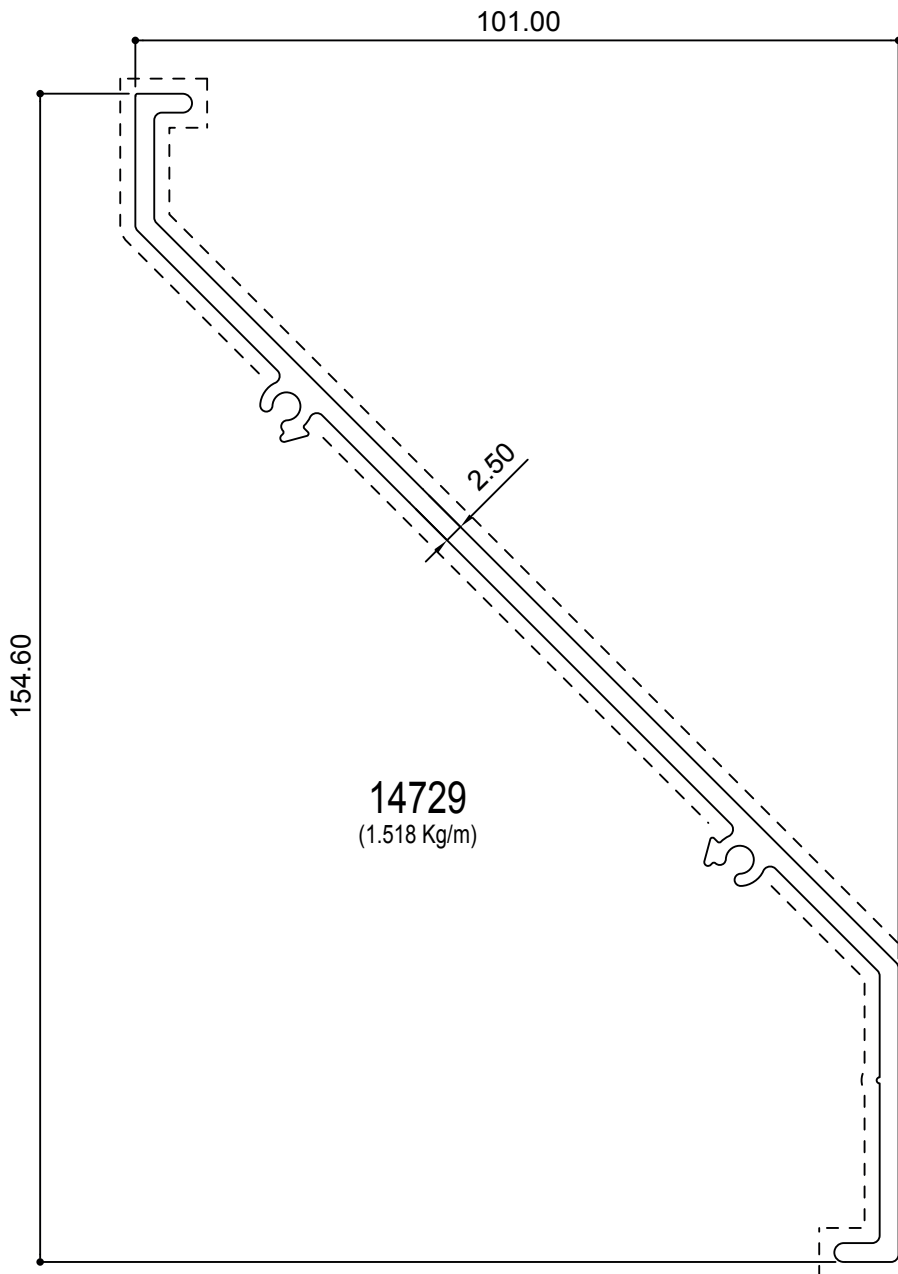


* For export, not recommended for GCC usage

Louvers



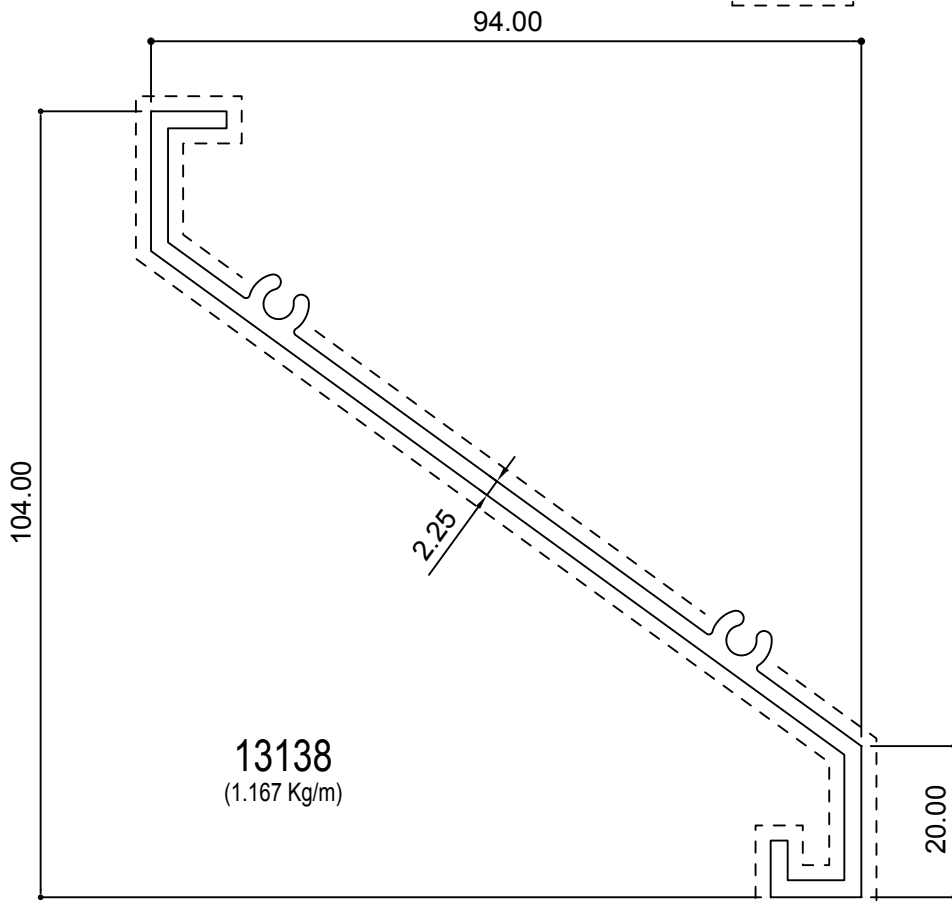
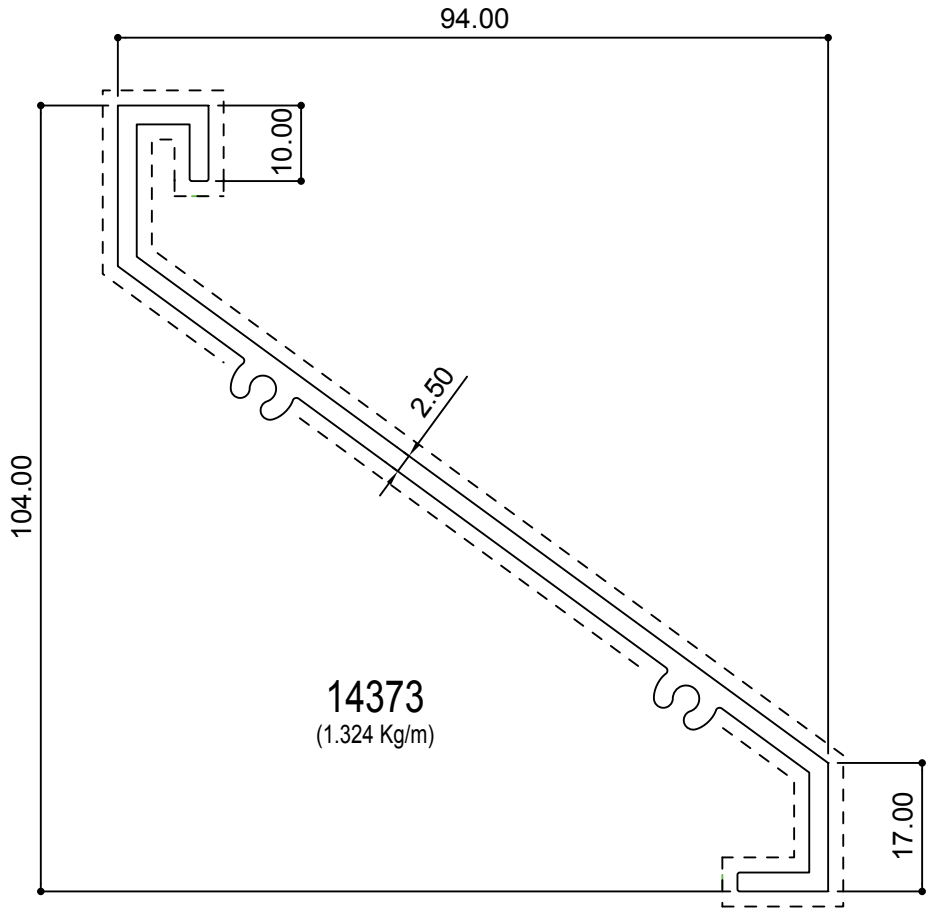
11108
(0.296 Kg/m)



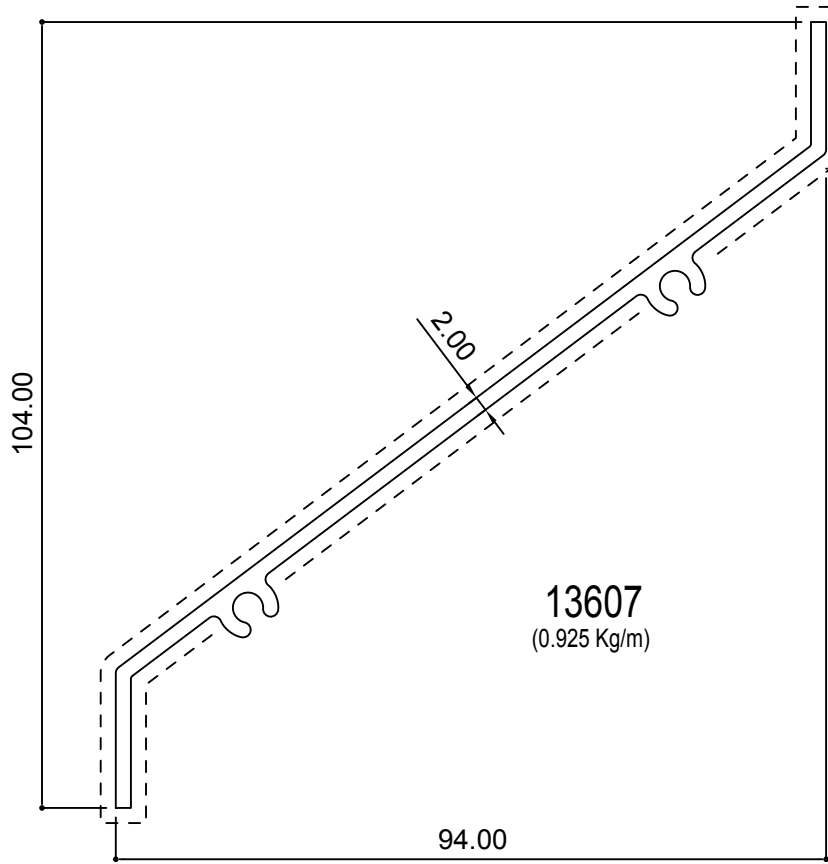
14729
(1.518 Kg/m)

* For export, not recommended for GCC usage

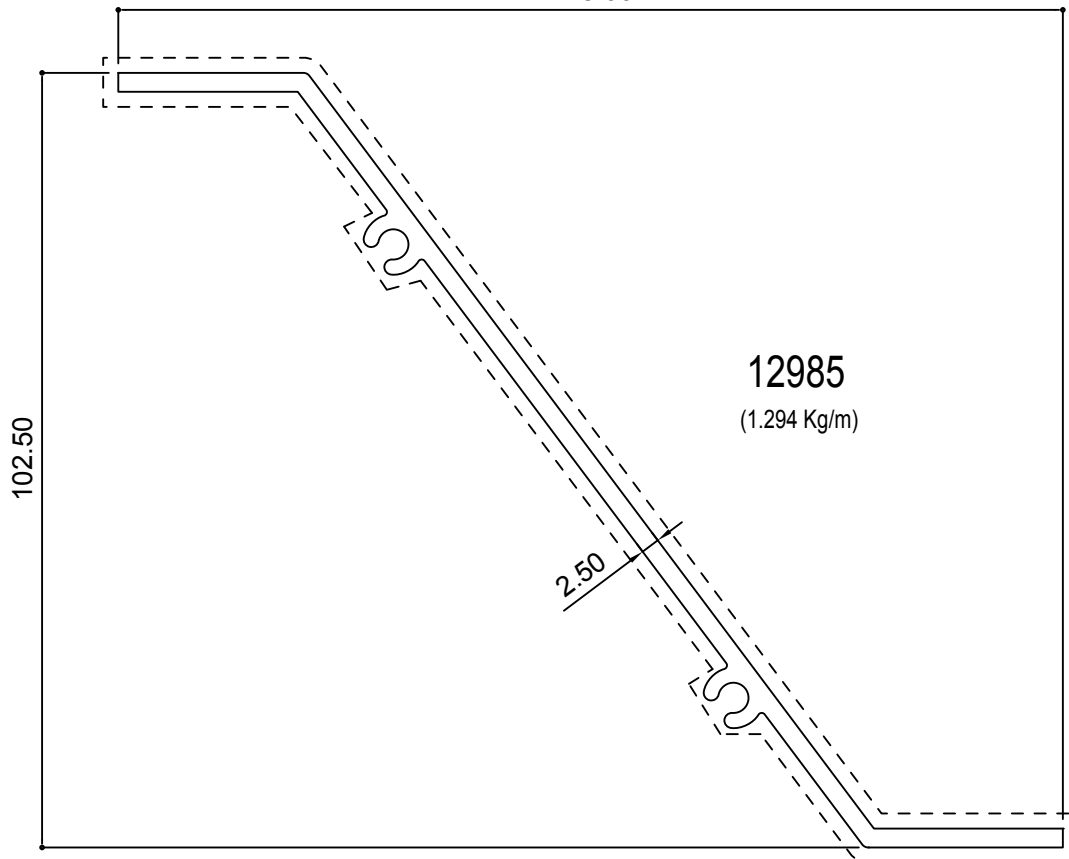
Louvers



* For export, not recommended for GCC usage

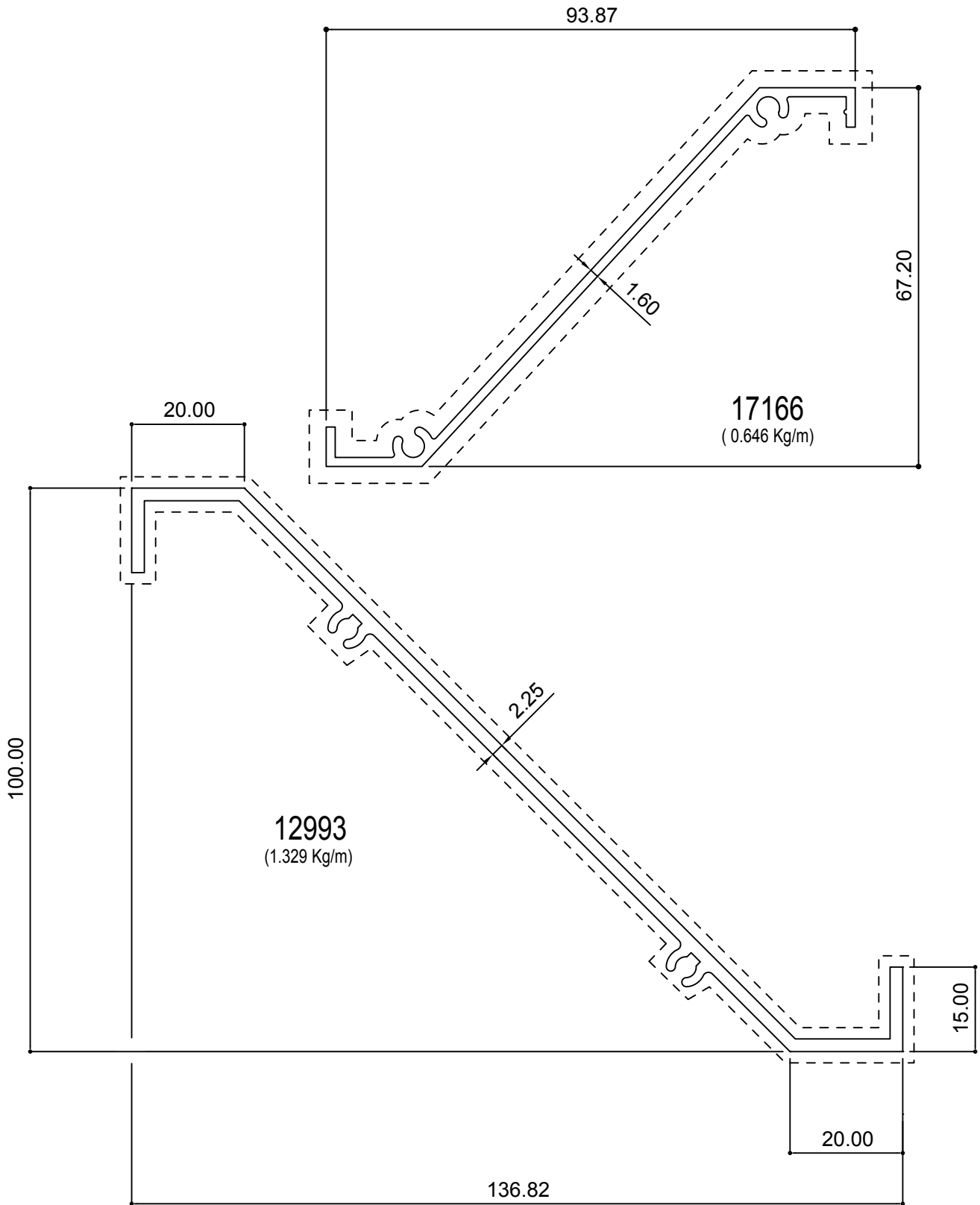


125.00



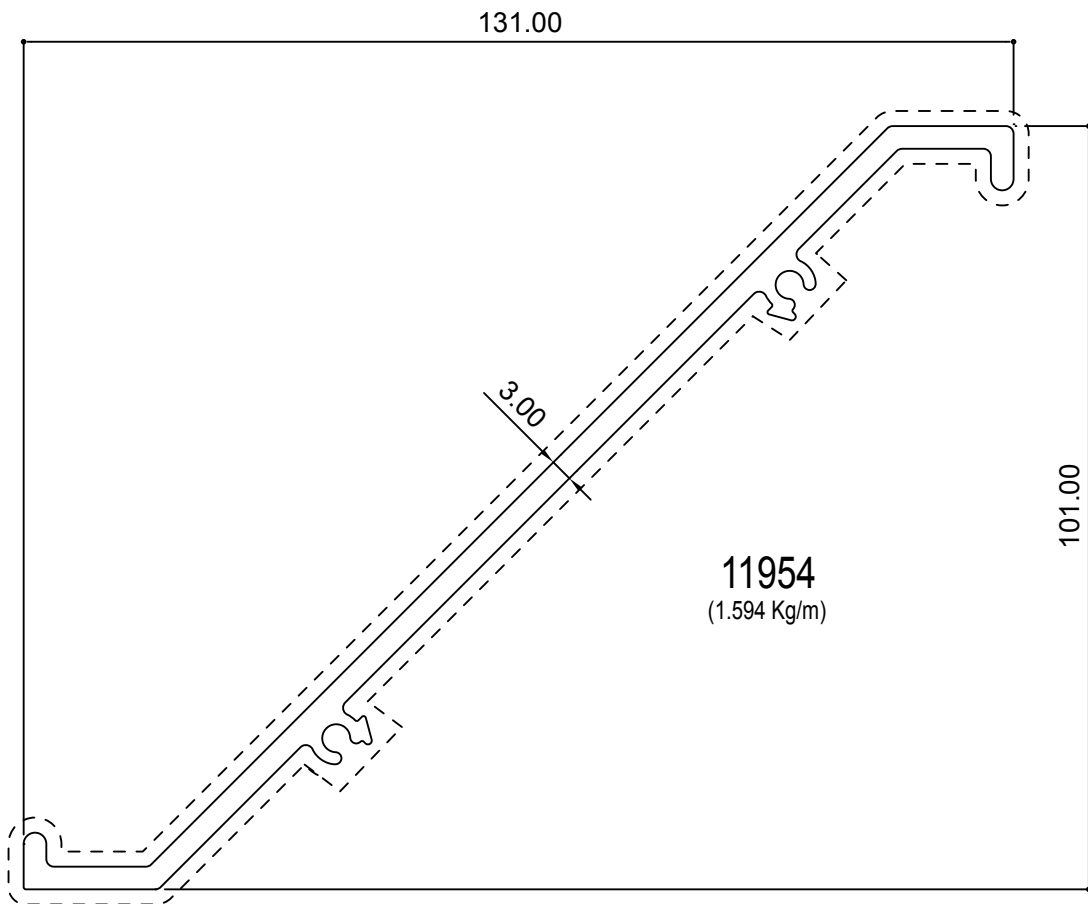
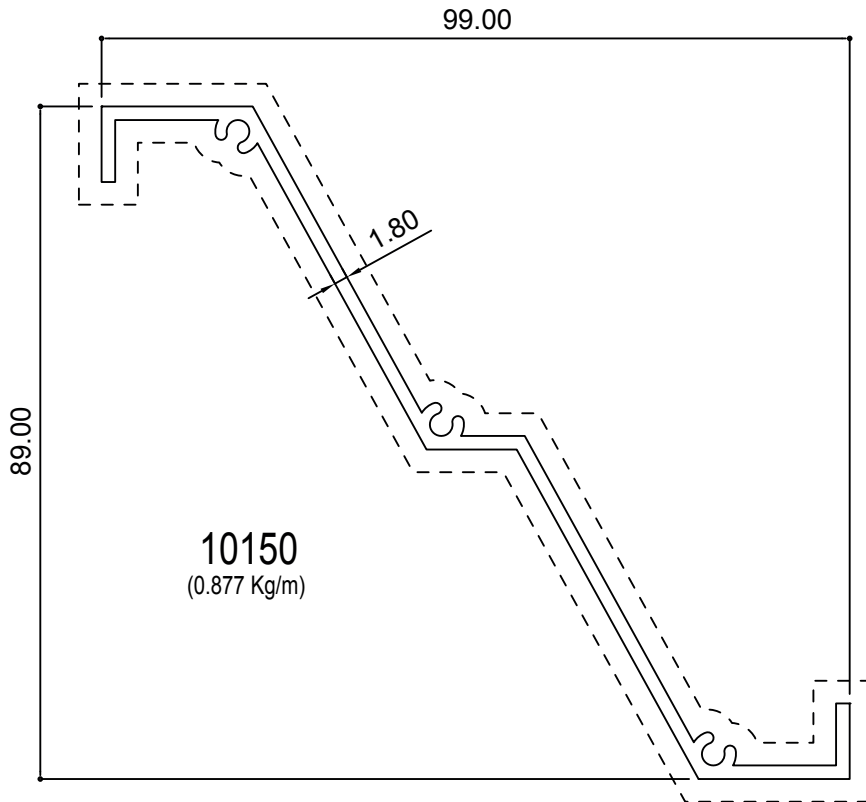
* For export, not recommended for GCC usage

Louvers



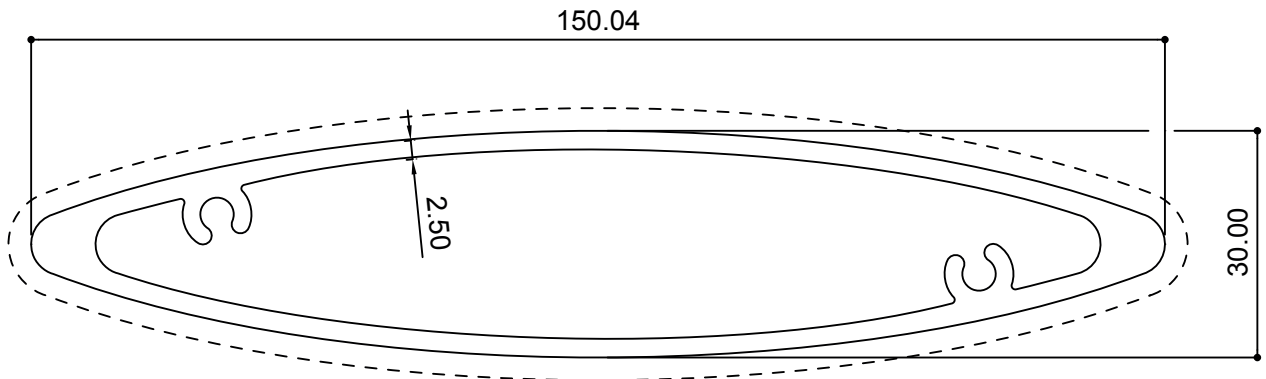
* For export, not recommended for GCC usage

Louvers

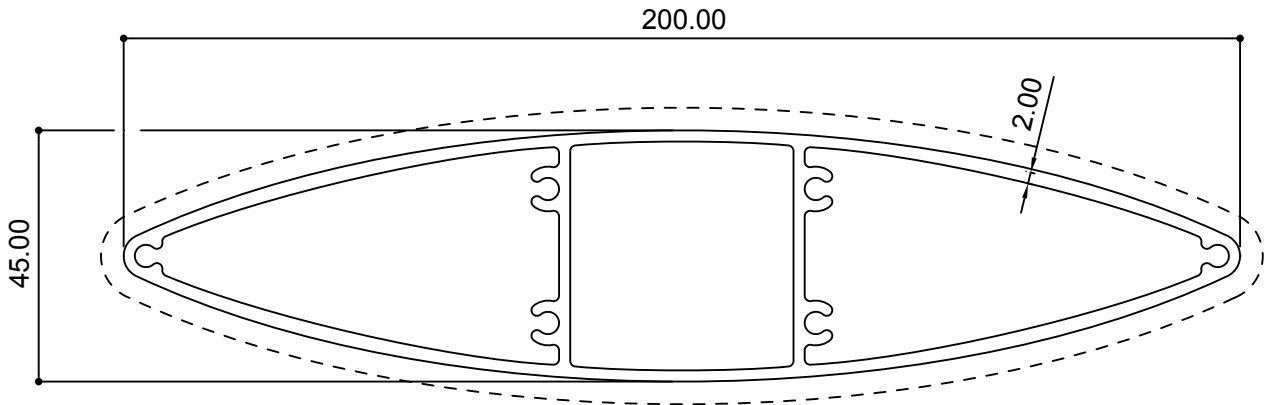


* For export, not recommended for GCC usage

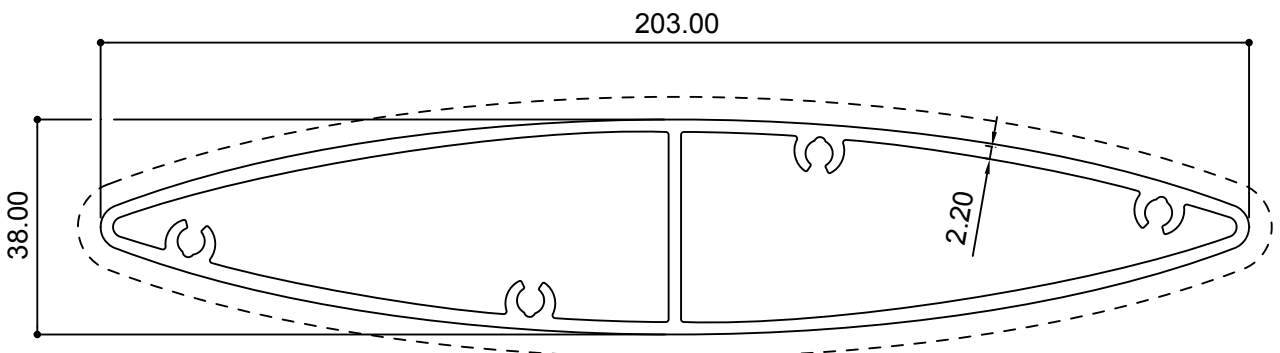
Louvers



23901
(2.402 Kg/m)



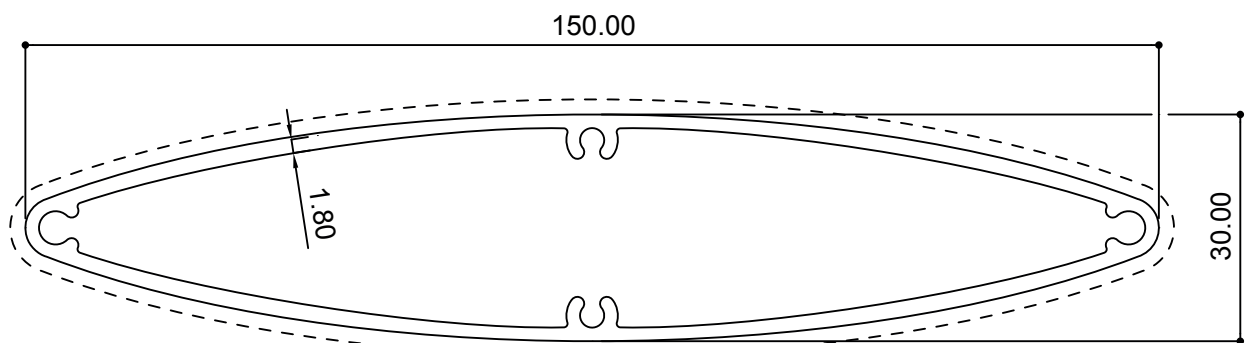
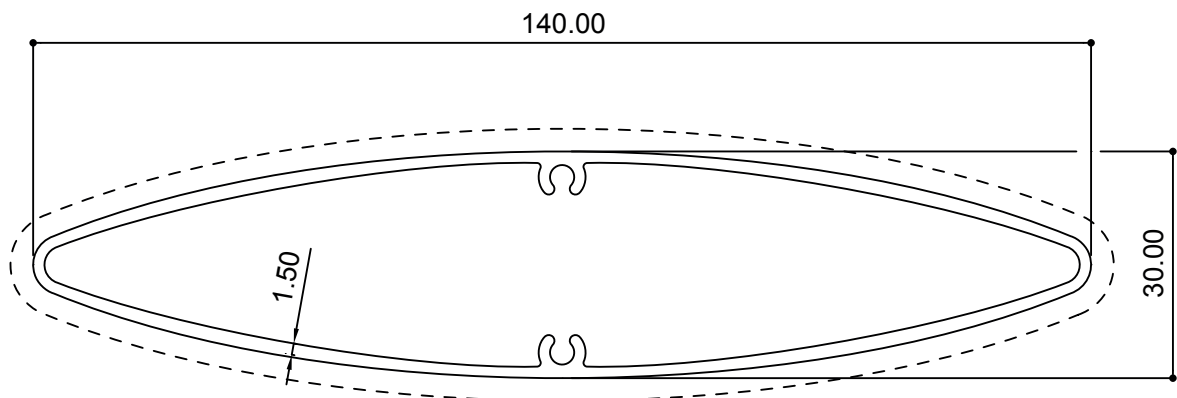
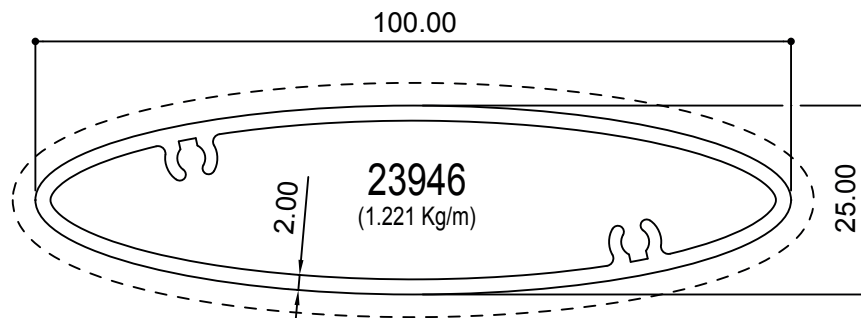
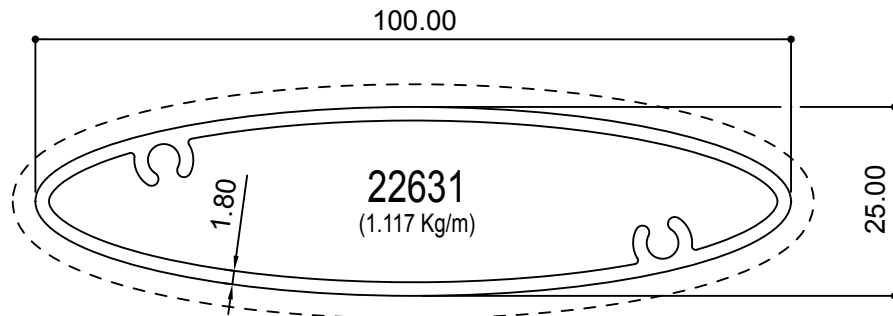
24097
(2.924 Kg/m)



22836
(2.941 Kg/m)

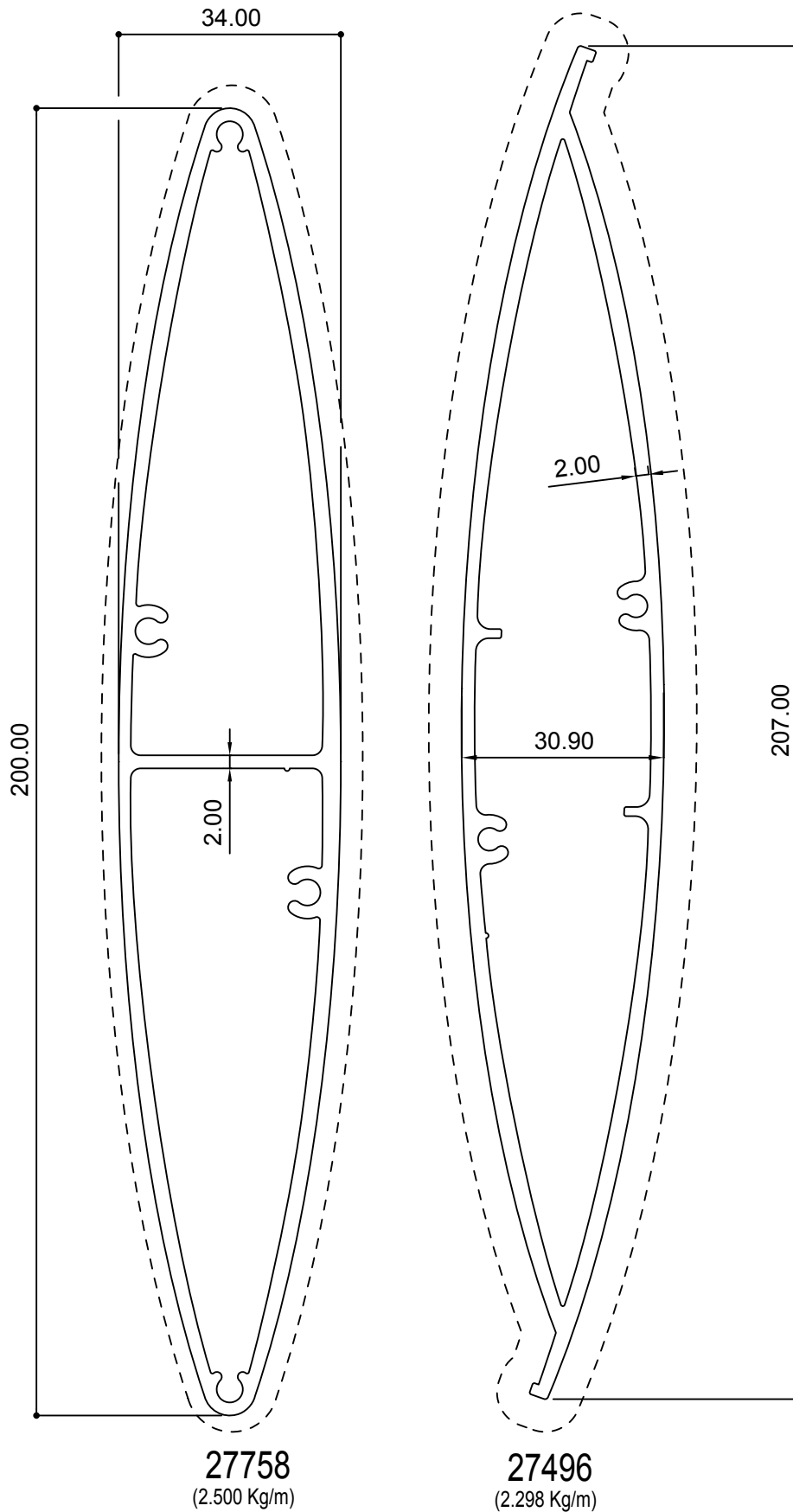
* For export, not recommended for GCC usage

Louvers



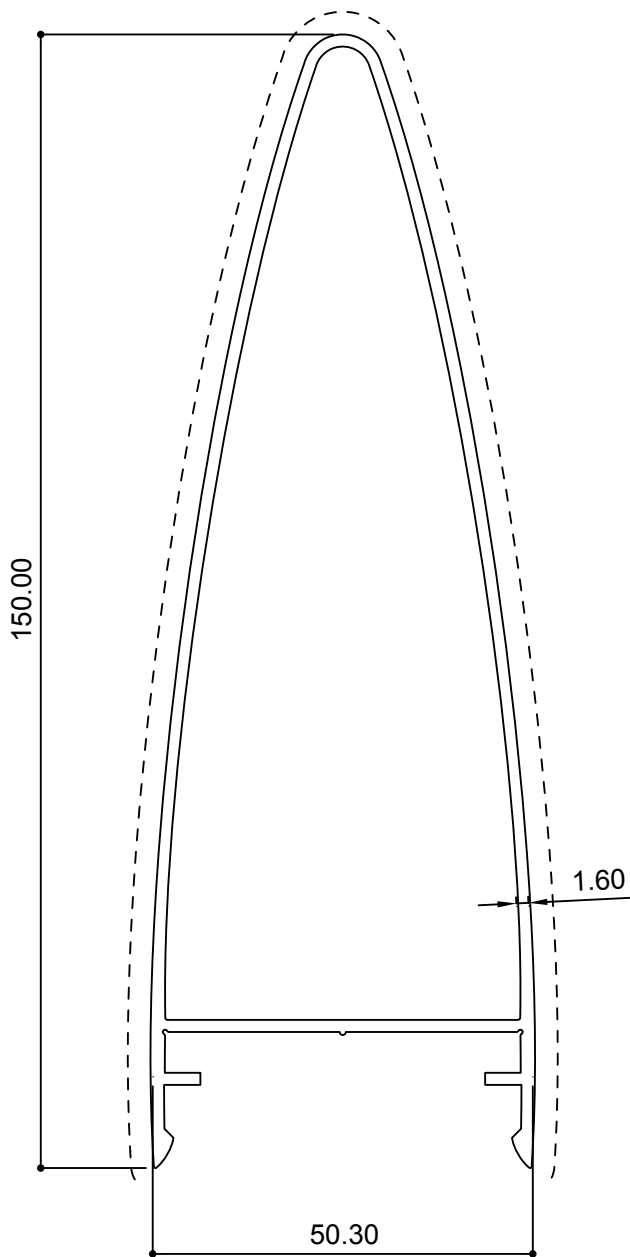
* For export, not recommended for GCC usage

Louvers

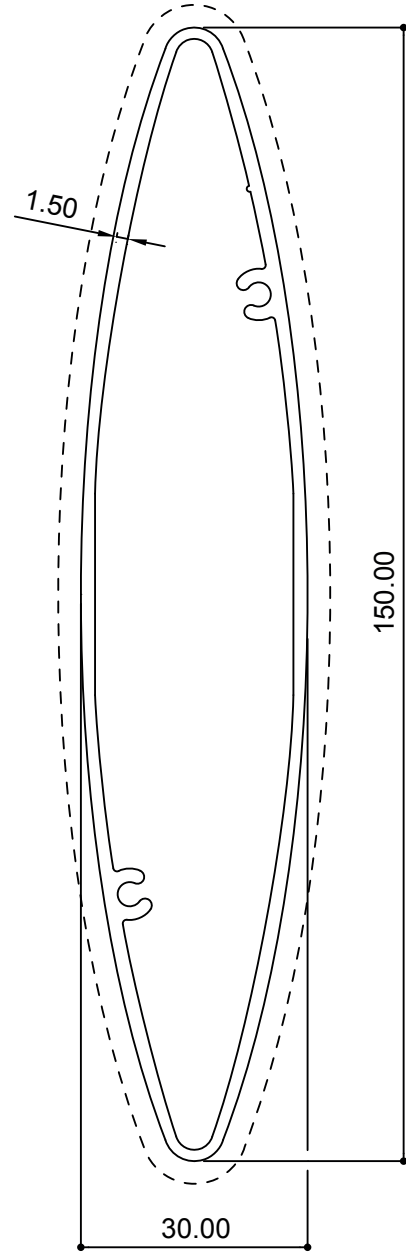


* For export, not recommended for GCC usage

Louvers



26471
(1.575 Kg/m)



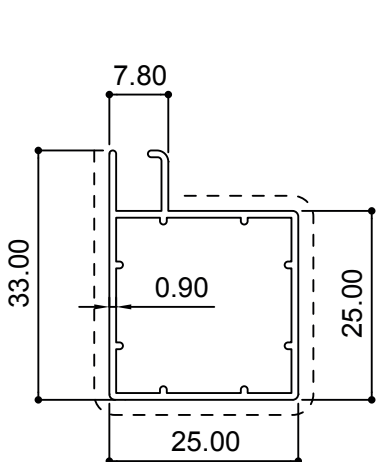
27384
(1.372 Kg/m)

* For export, not recommended for GCC usage

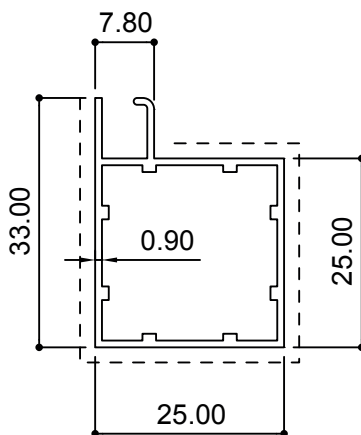
Kitchen Profiles



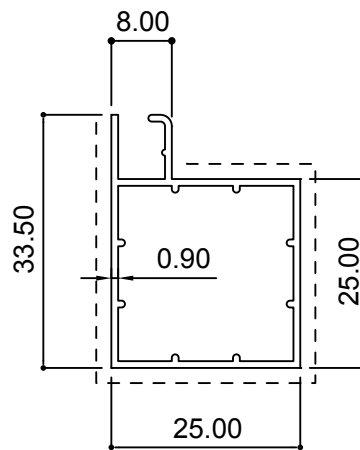
Kitchen Profiles



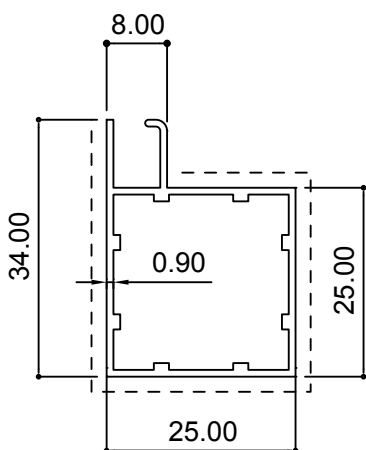
21515
(0.291Kg/m)



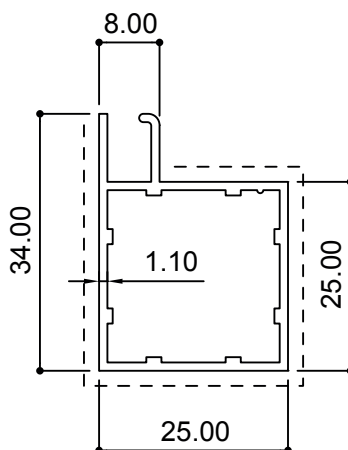
21182
(0.311 Kg/m)



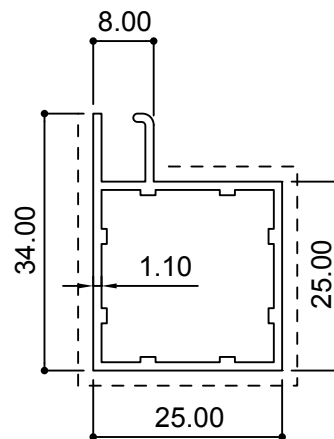
24813
(0.296 Kg/m)



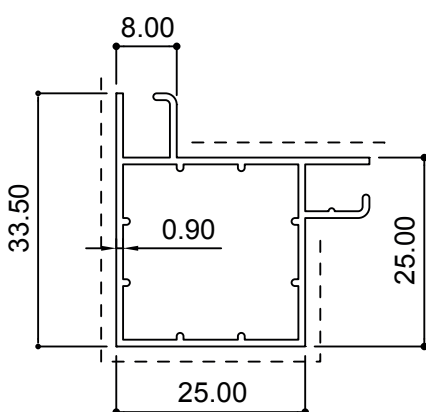
24340
(0.320 Kg/m)



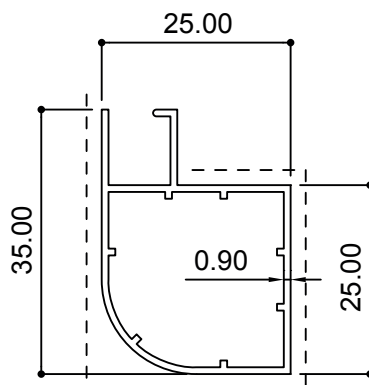
21041
(0.371 Kg/m)



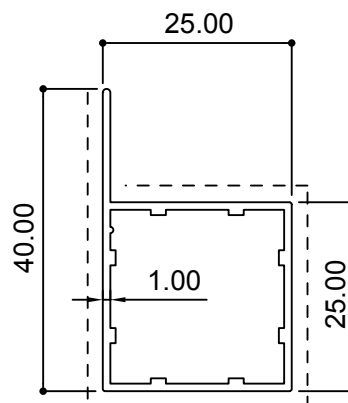
23700
(0.371 Kg/m)



24811
(0.342 Kg/m)



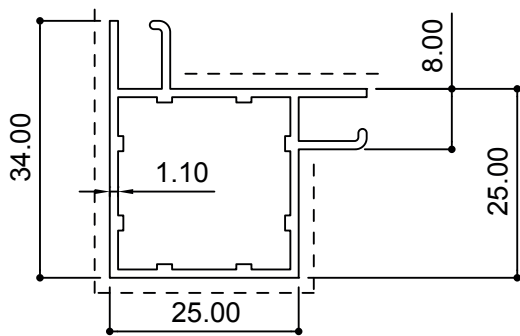
22391
(0.291 Kg/m)



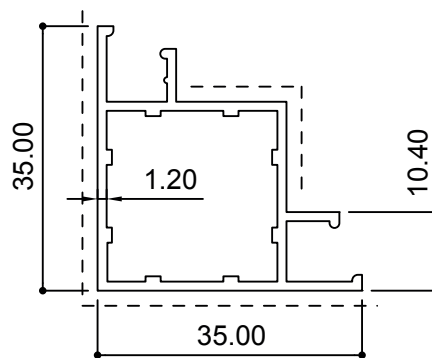
26115
(0.330 Kg/m)

* For export, not recommended for GCC usage

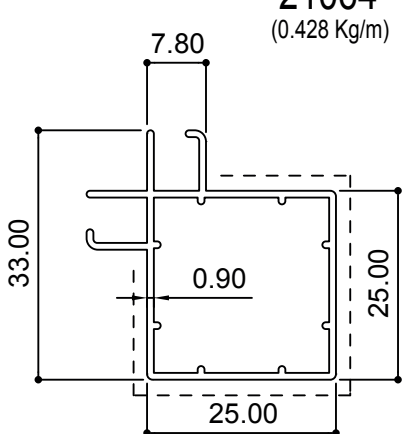
Kitchen Profiles



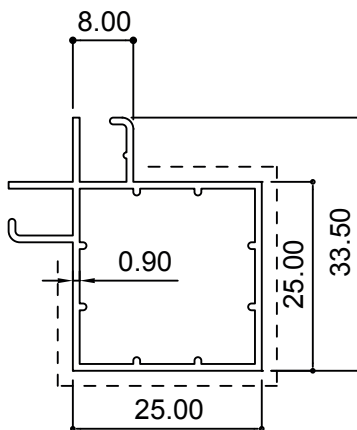
21064
(0.428 Kg/m)



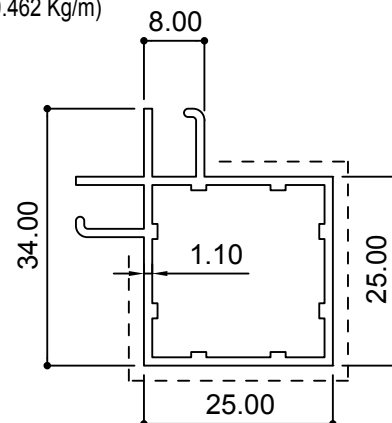
26116
(0.462 Kg/m)



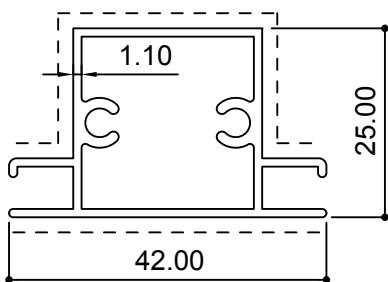
21517
(0.332Kg/m)



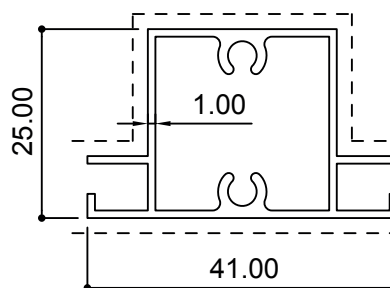
24810
(0.341 Kg/m)



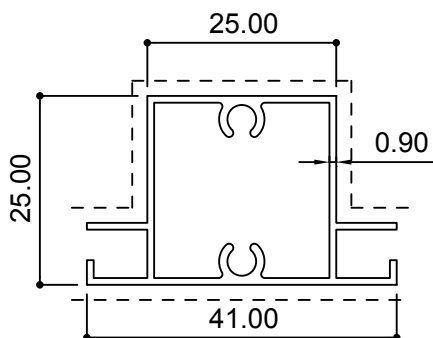
21042
(0.428 Kg/m)



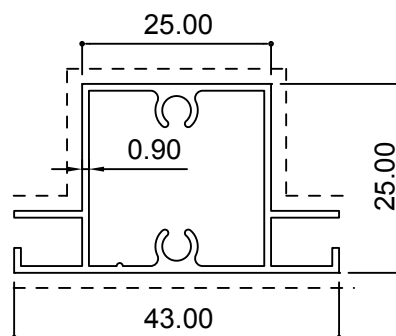
21162
(0.478 Kg/m)



21195
(0.446 Kg/m)



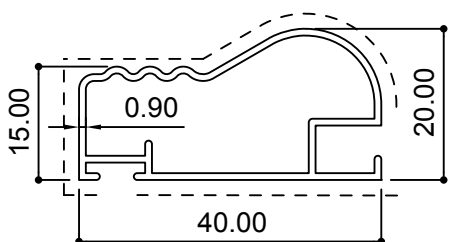
22373
(0.389 Kg/m)



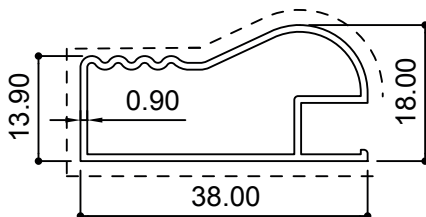
24825
(0.401 Kg/m)

* For export, not recommended for GCC usage

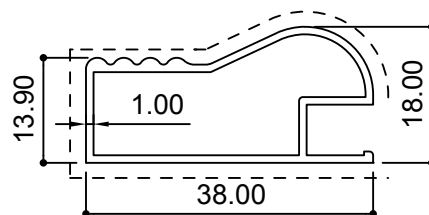
Kitchen Profiles



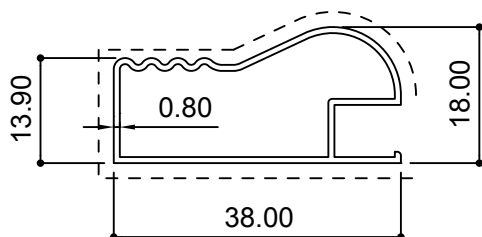
21518
(0.309 Kg/m)



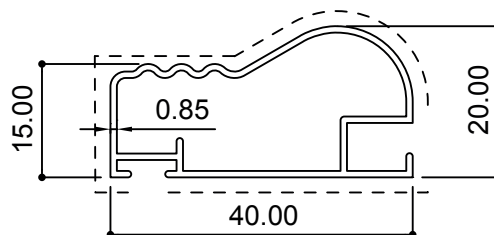
21519
(0.273 Kg/m)



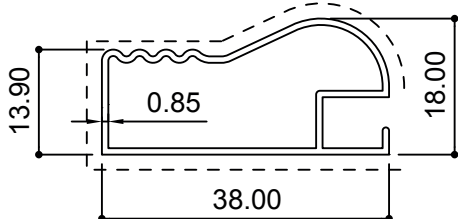
21192
(0.316 Kg/m)



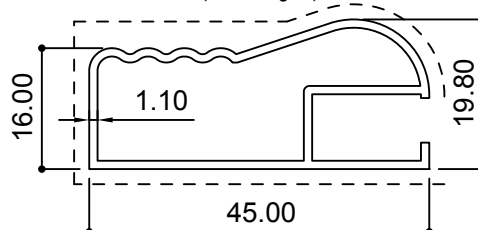
22376
(0.243 Kg/m)



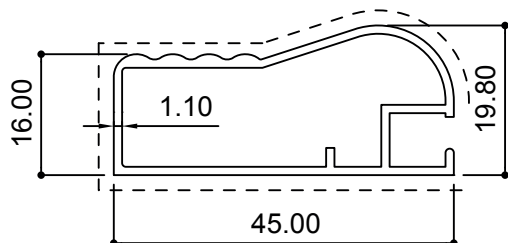
22394
(0.292 Kg/m)



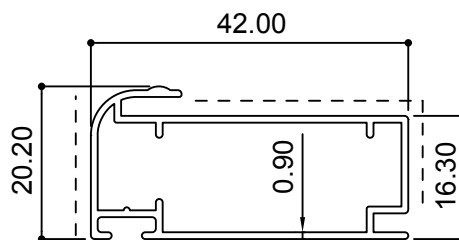
22392
(0.263 Kg/m)



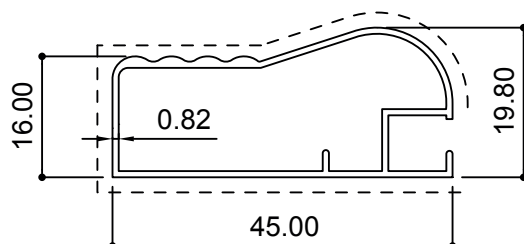
21211
(0.406 Kg/m)



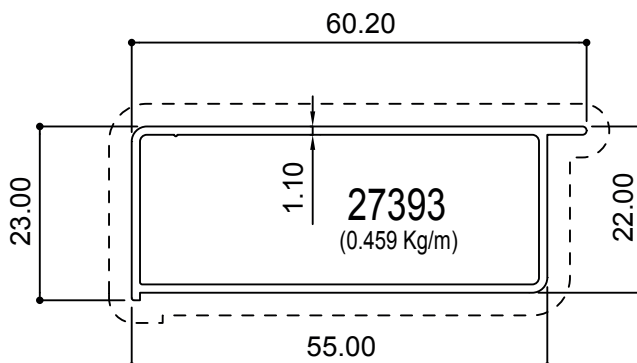
21124
(0.408 Kg/m)



26439
(0.346 Kg/m)



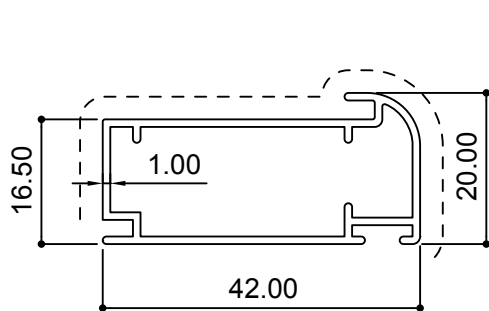
22389
(0.313 Kg/m)



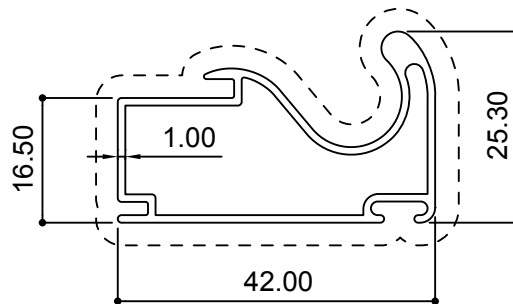
27393
(0.459 Kg/m)

* For export, not recommended for GCC usage

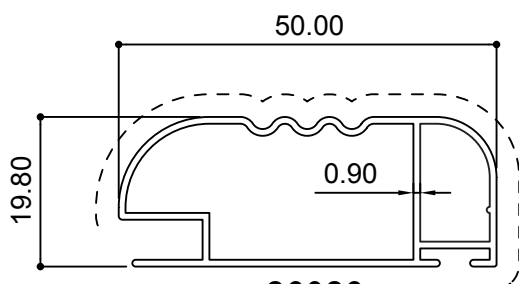
Kitchen Profiles



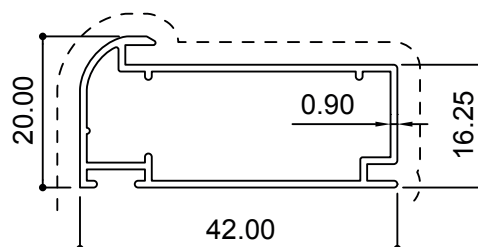
22561
(0.367 Kg/m)



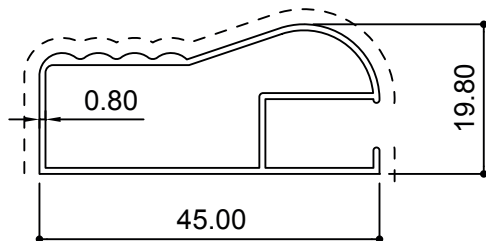
22562
(0.445 Kg/m)



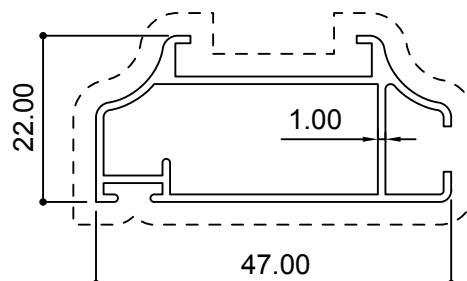
26028
(0.397 Kg/m)



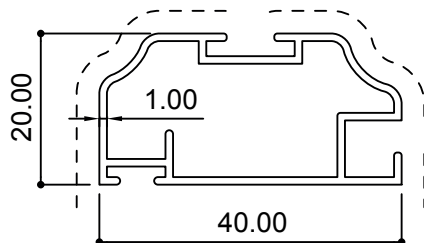
26027
(0.325 Kg/m)



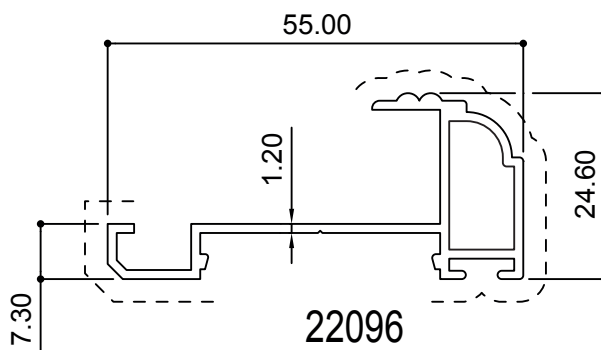
24824
(0.318 Kg/m)



22396
(0.428 Kg/m)



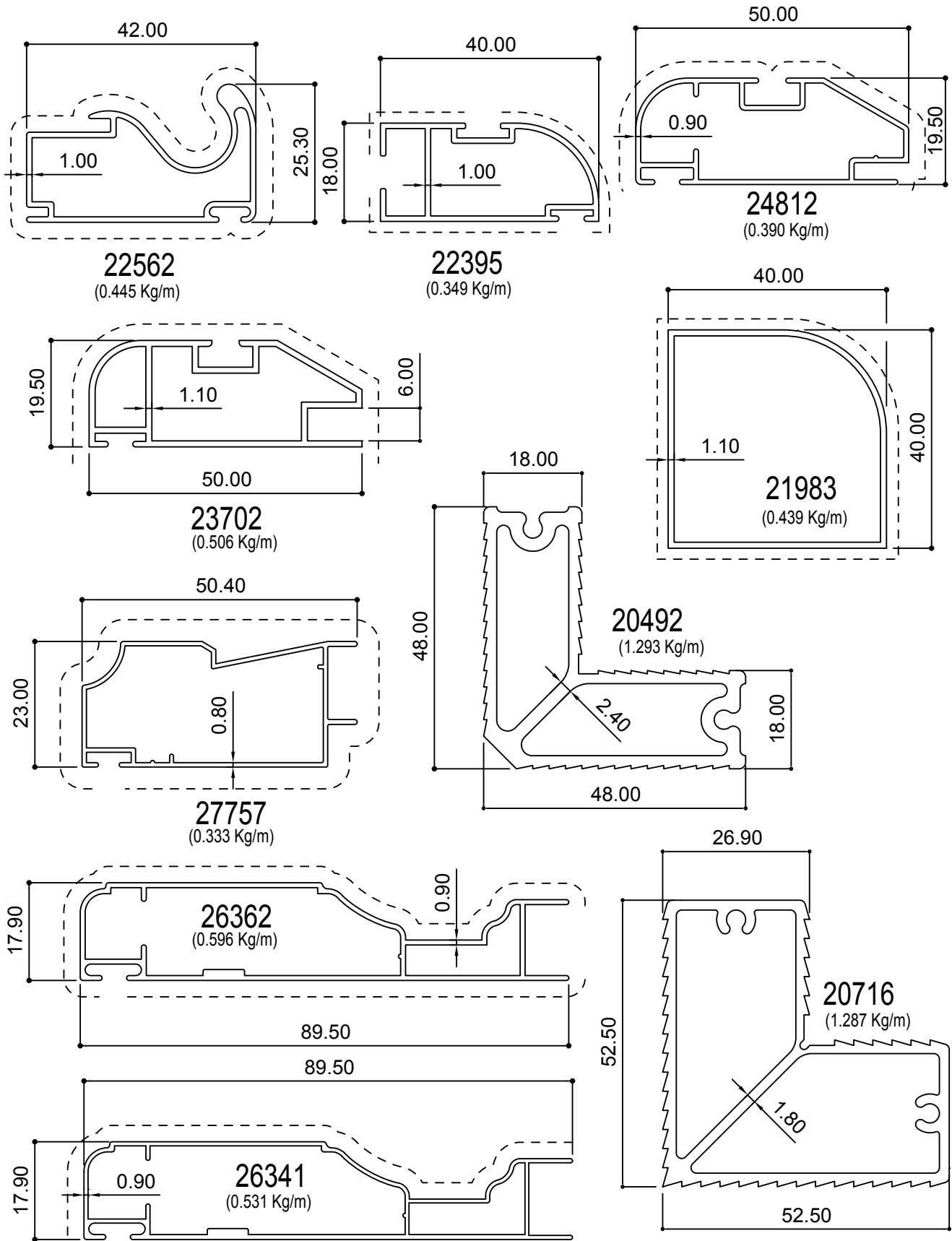
22390
(0.375 Kg/m)



22096
(0.453 Kg/m)

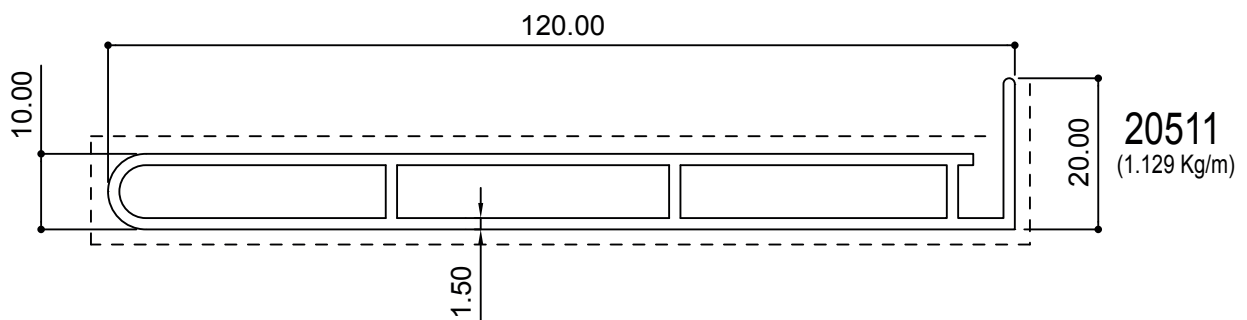
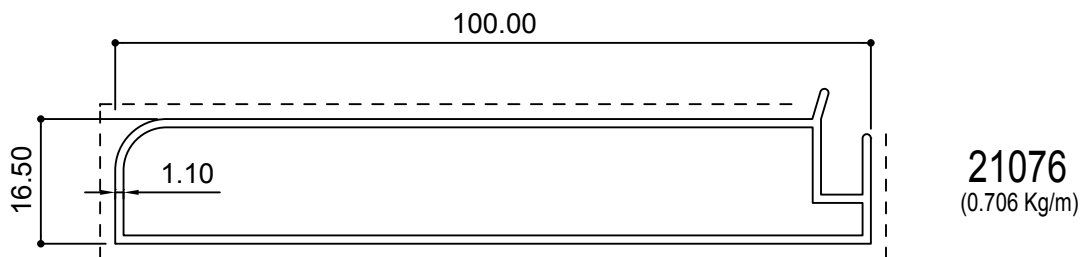
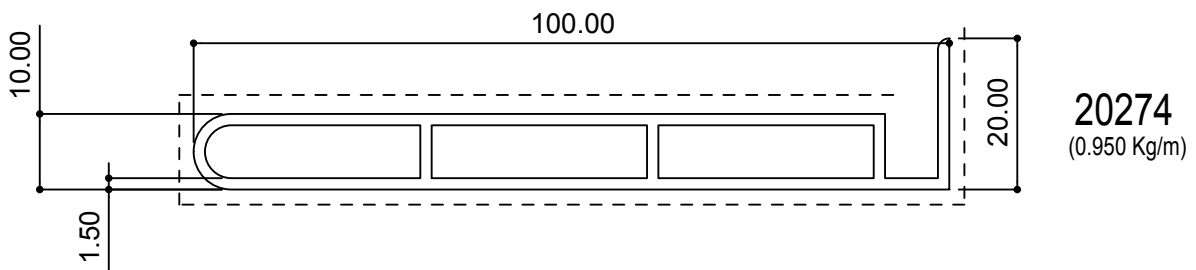
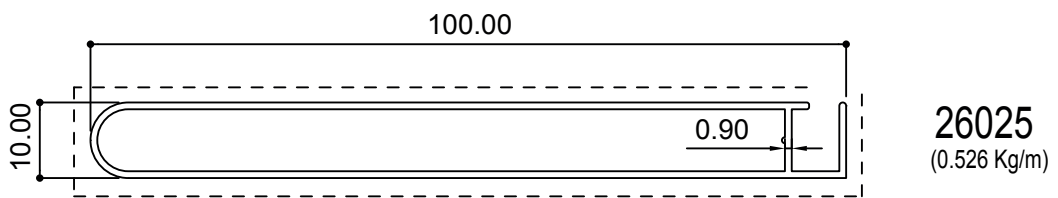
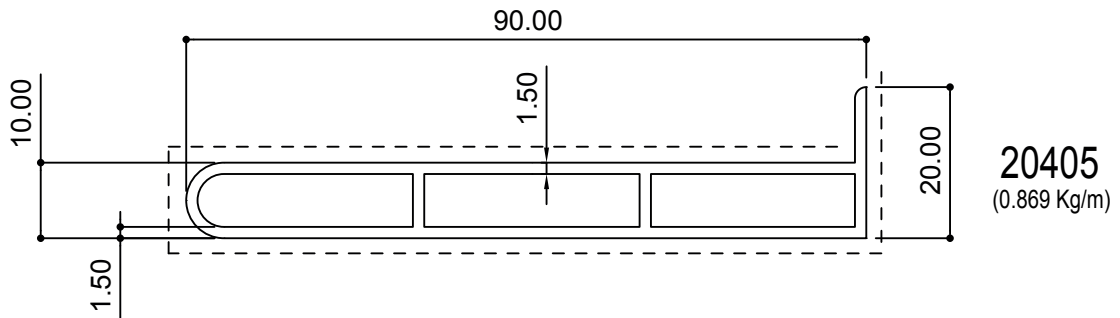
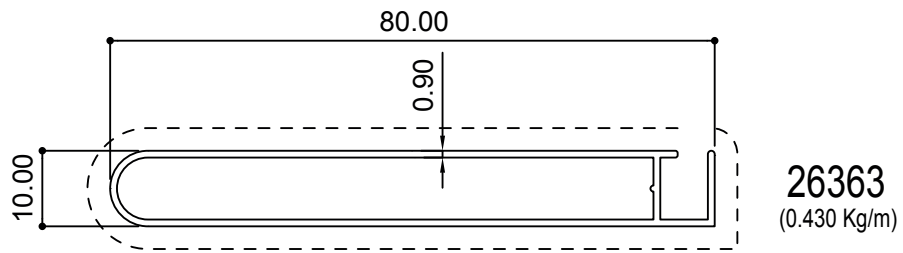
* For export, not recommended for GCC usage

Kitchen Profiles



* For export, not recommended for GCC usage

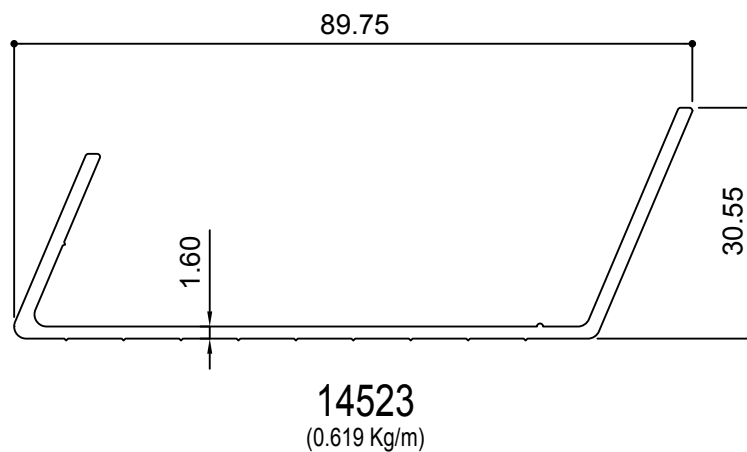
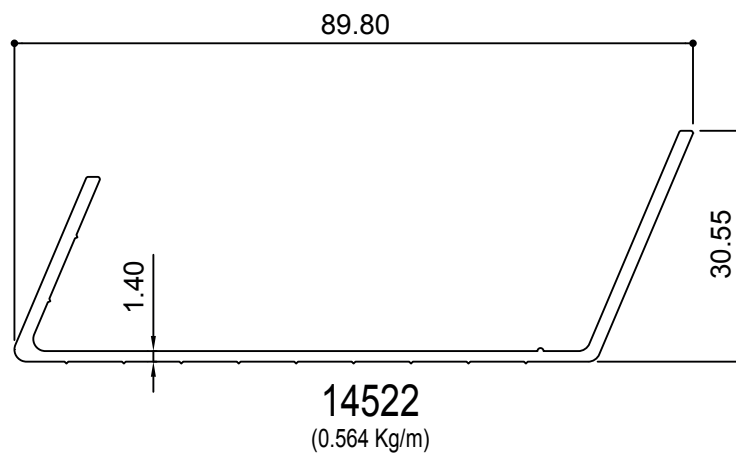
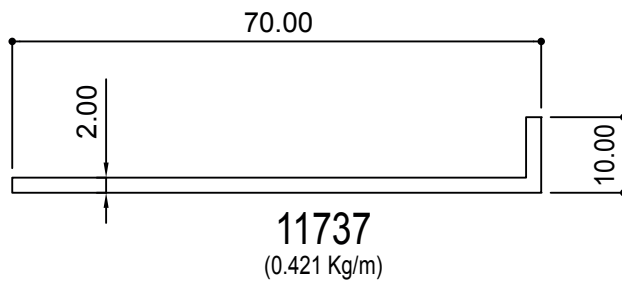
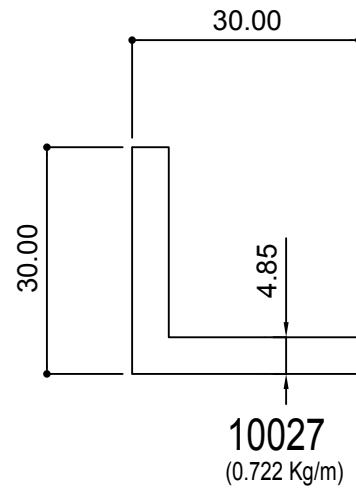
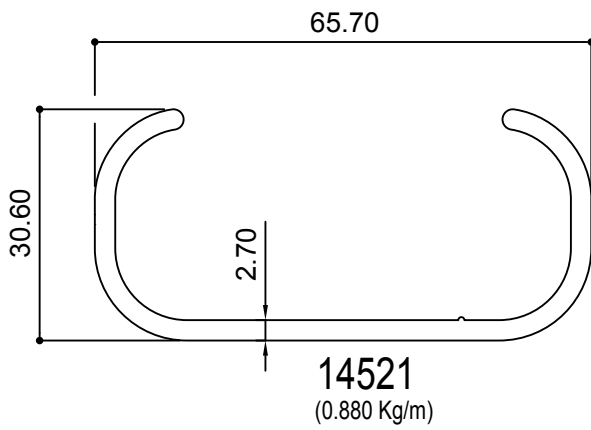
Kitchen Profiles



* For export, not recommended for GCC usage



Camel Race Profiles

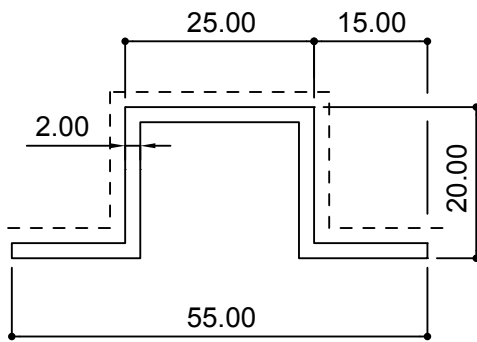


* For export, not recommended for GCC usage

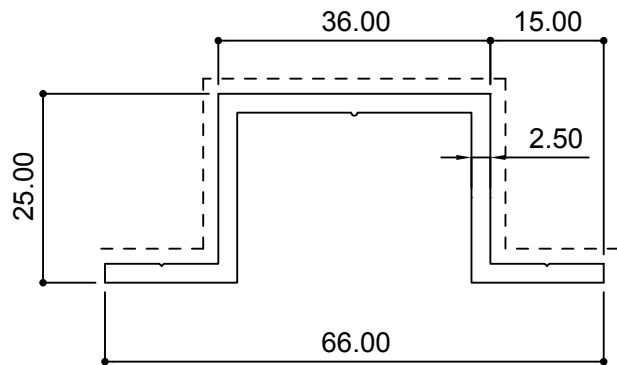
Hat Profiles



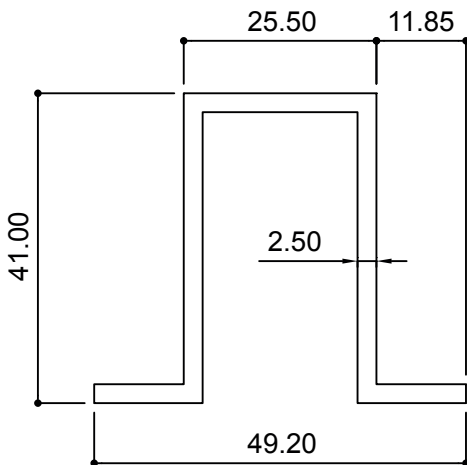
Hat Profiles



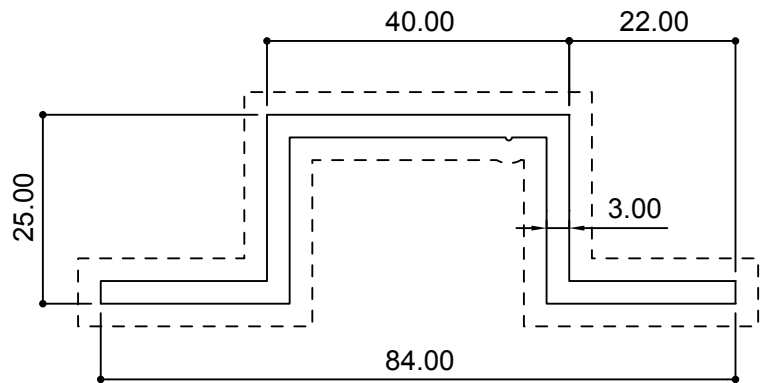
12793
(0.491 Kg/m)



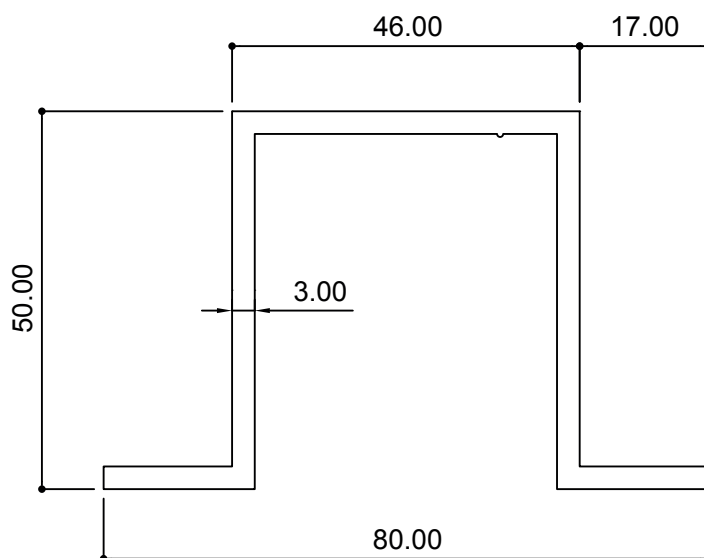
11149
(0.749 Kg/m)



11182
(0.852 Kg/m)



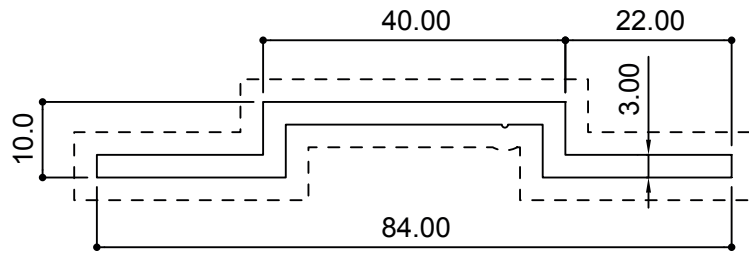
14587
(1.037 Kg/m)



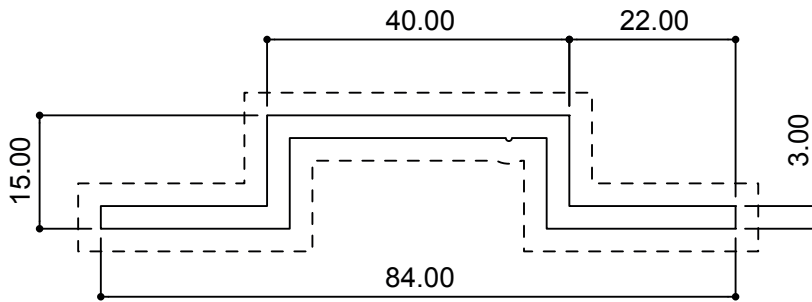
11469
(1.409 Kg/m)

* For export, not recommended for GCC usage

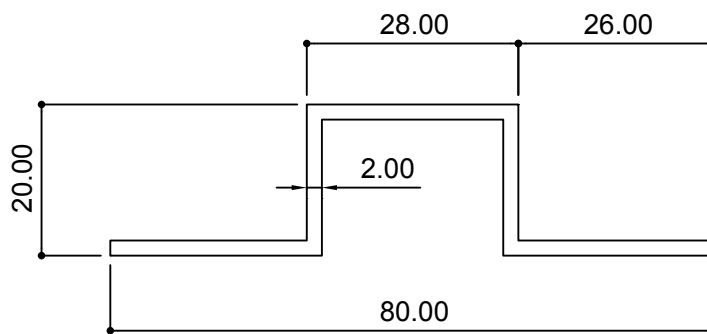
Hat Profiles



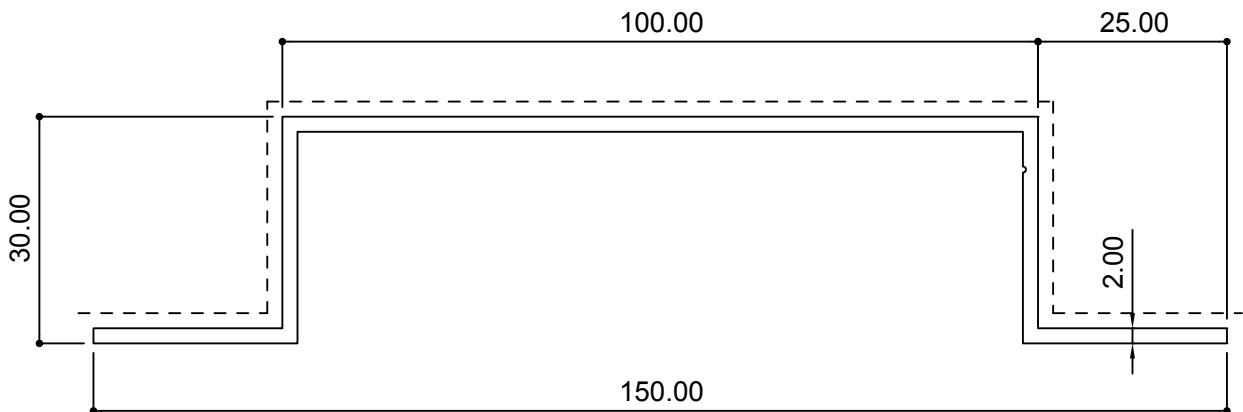
14584
(0.794 Kg/m)



14585
(0.875 Kg/m)



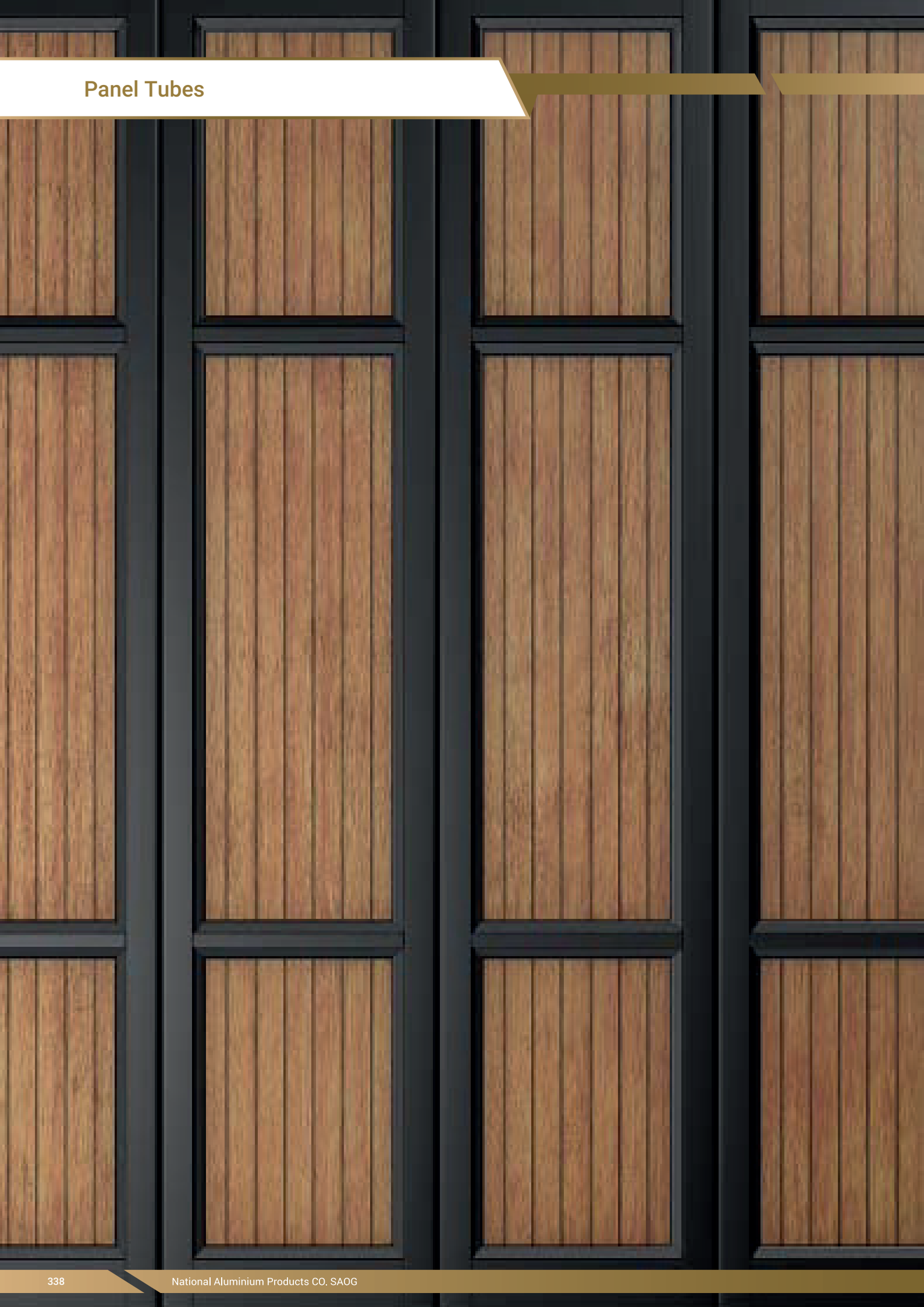
13026
(0.626 Kg/m)



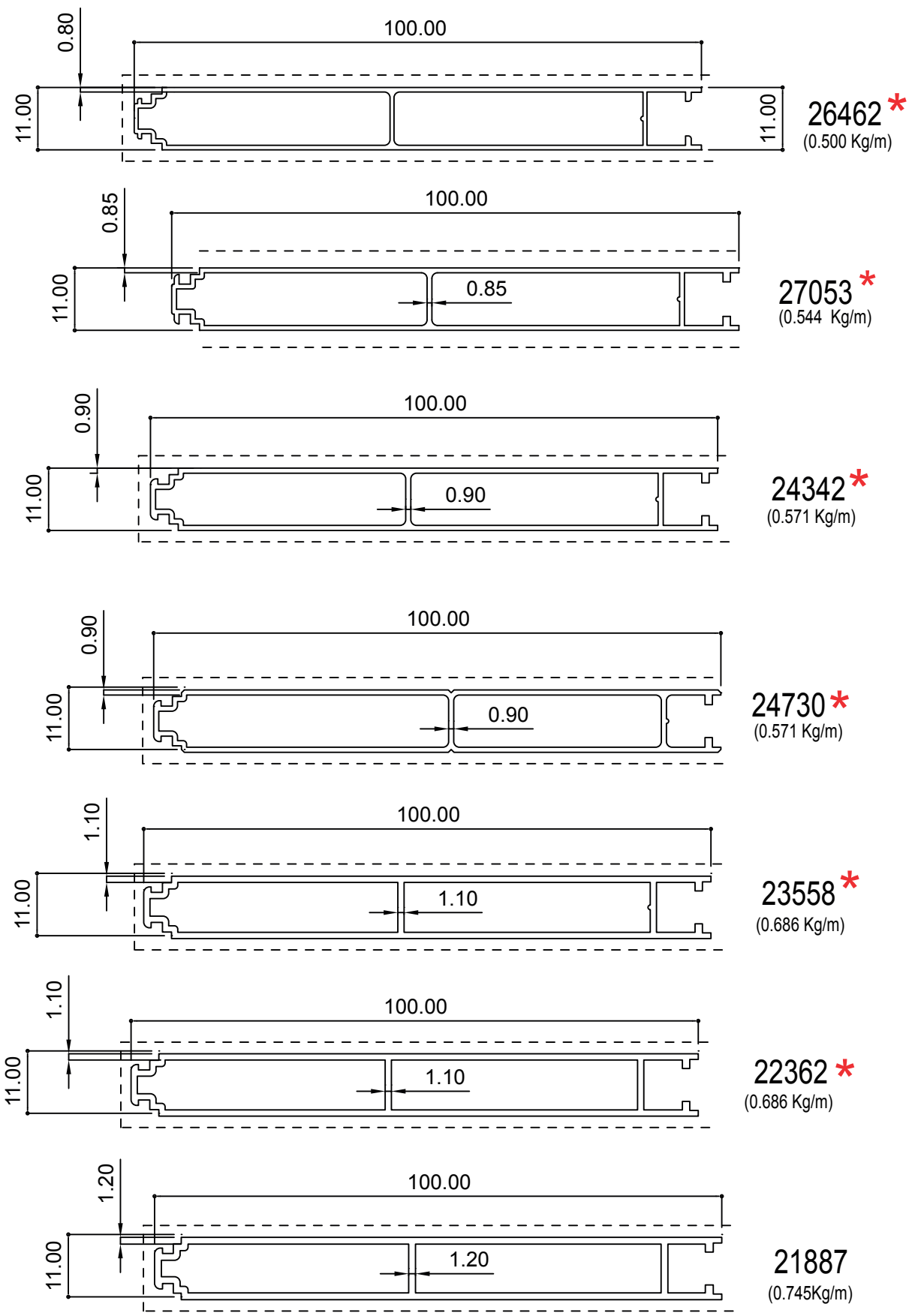
14760
(1.112 Kg/m)

* For export, not recommended for GCC usage

Panel Tubes

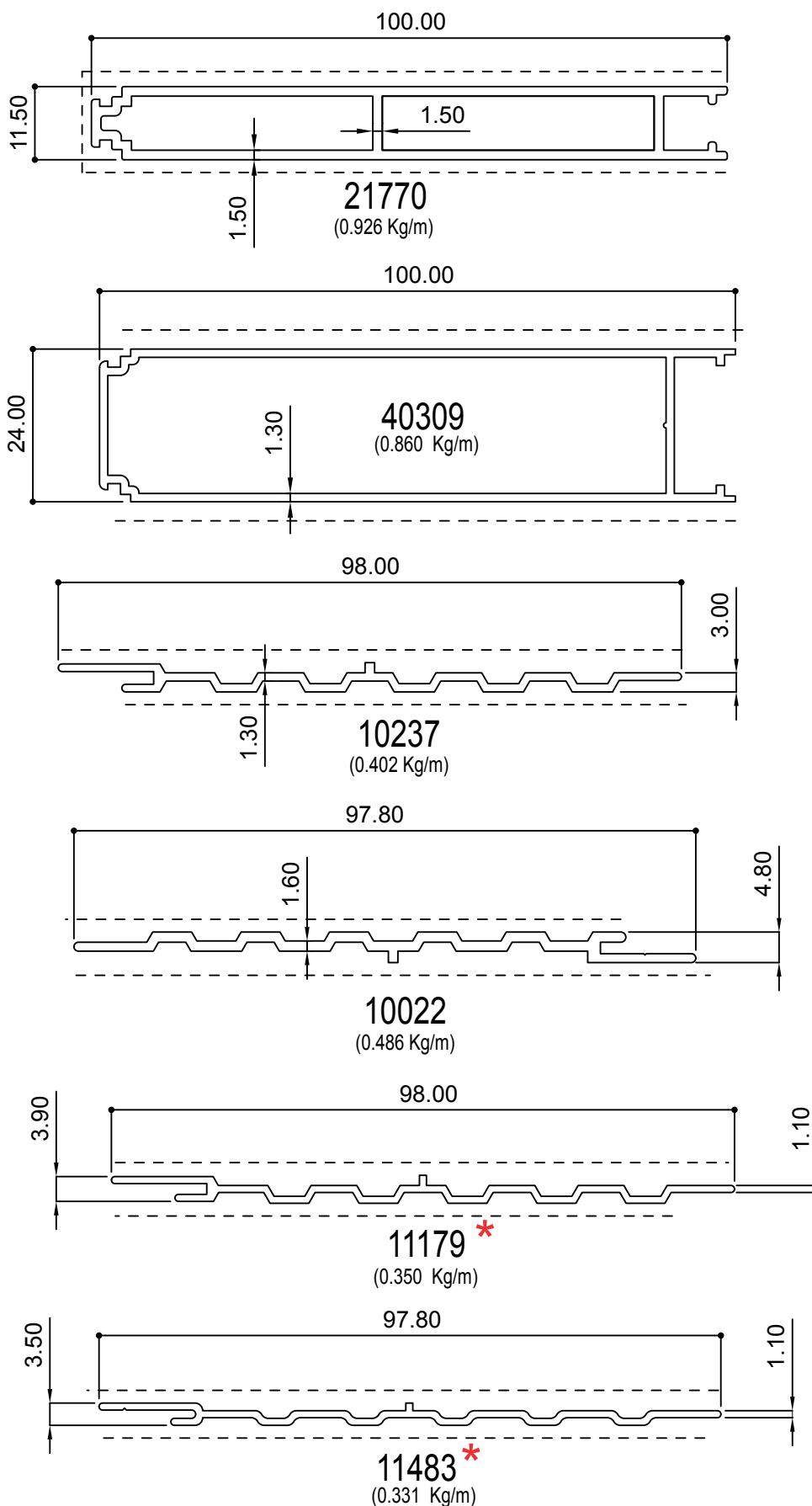


Panel Tubes



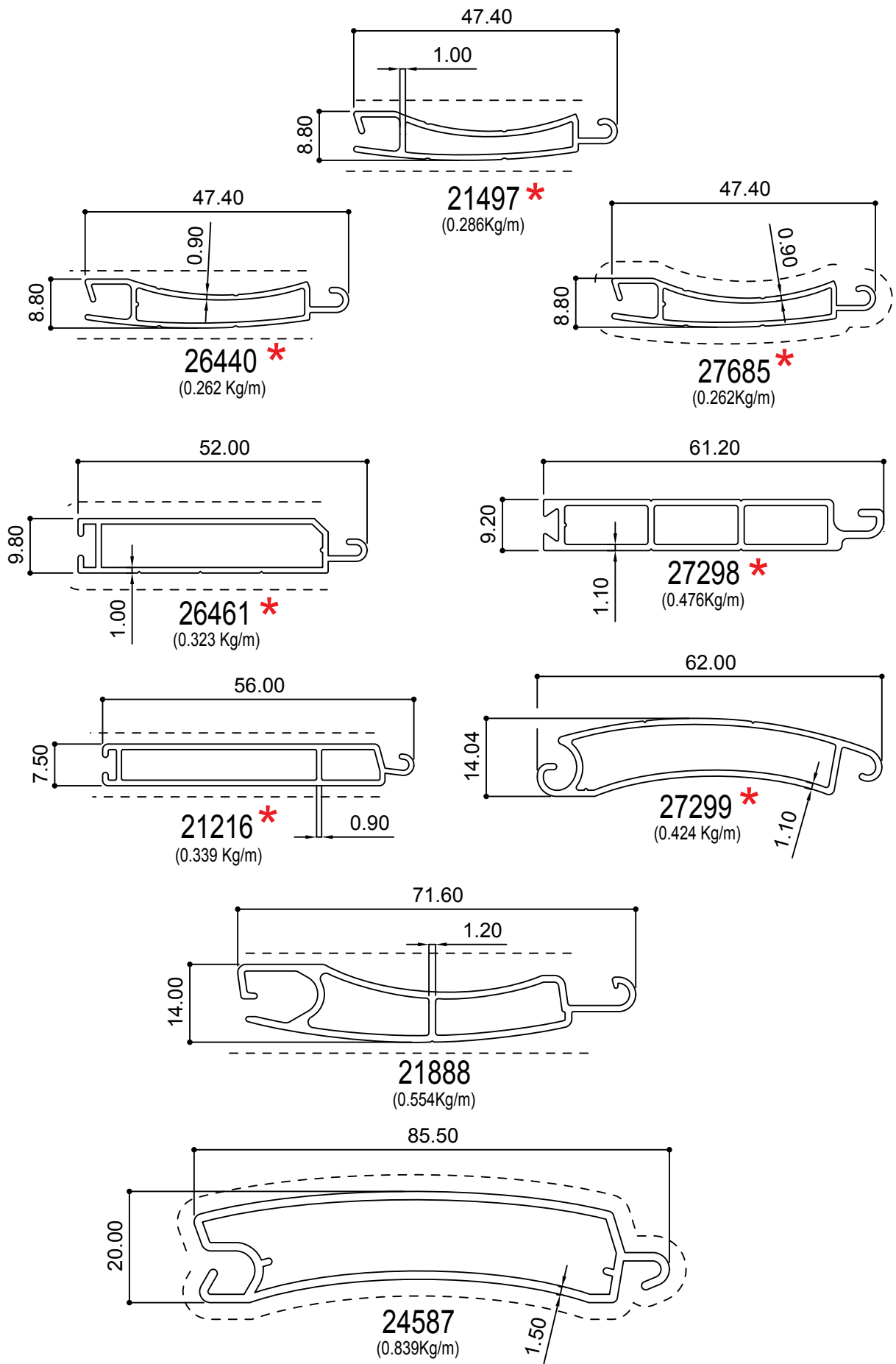
* For export, not recommended for GCC usage

Panel Tubes



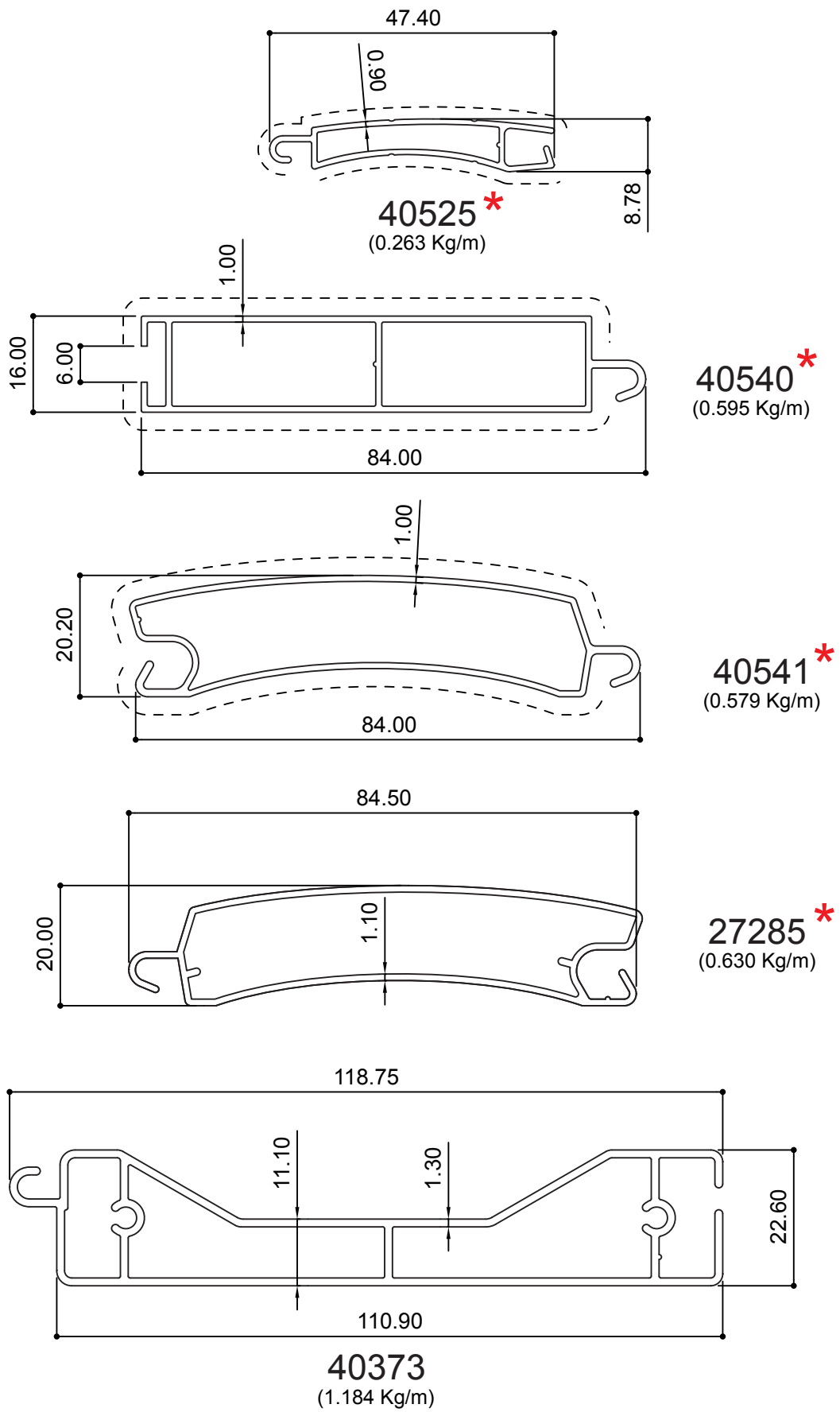
* For export, not recommended for GCC usage

Rolling Shutter



* For export, not recommended for GCC usage

Rolling Shutter

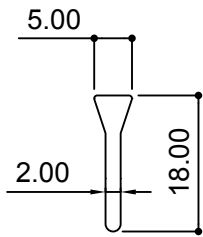


* For export, not recommended for GCC usage

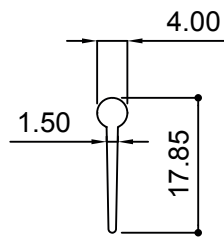
AC Profiles



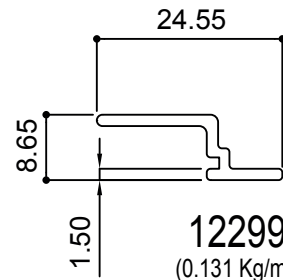
AC Profiles



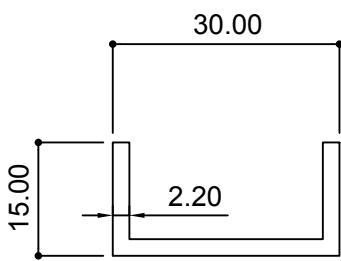
12197
(0.117 Kg/m)



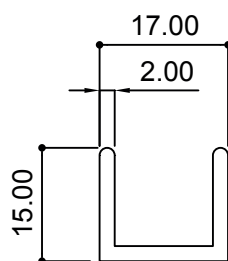
12193
(0.080 Kg/m)



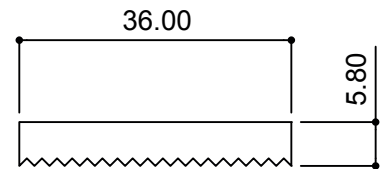
12299
(0.131 Kg/m)



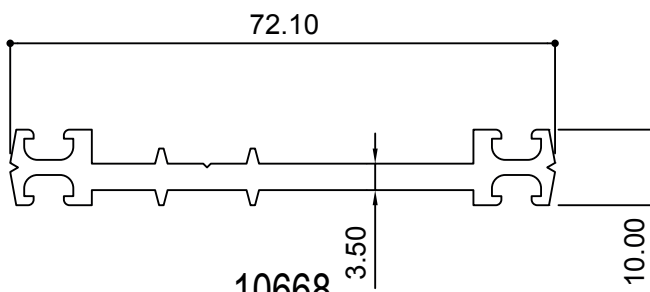
12189
(0.330 Kg/m)



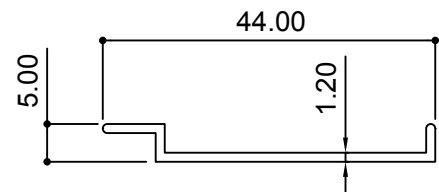
12190
(0.230 Kg/m)



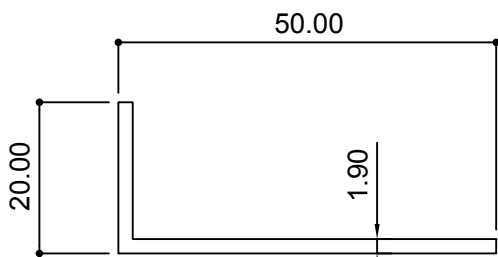
12332
(0.515 Kg/m)



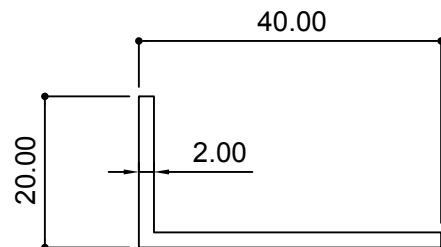
10668
(0.825 Kg/m)



12202
(0.179 Kg/m)



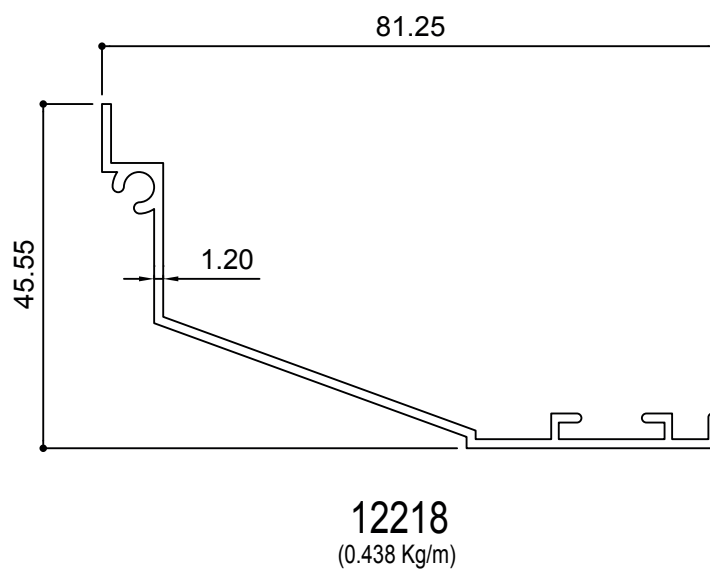
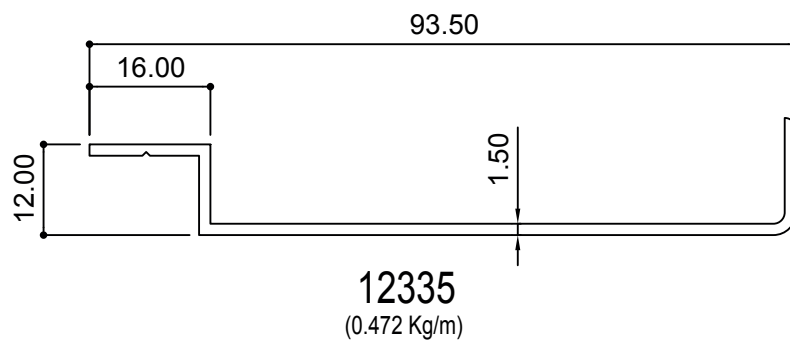
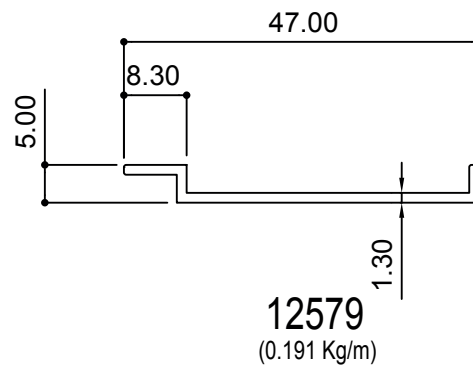
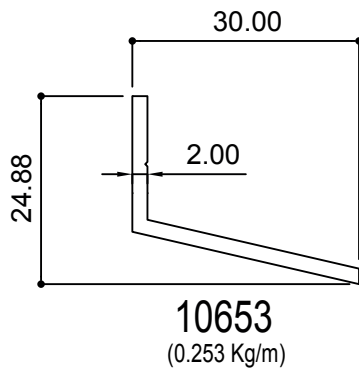
12217
(0.349 Kg/m)



10049
(0.313 Kg/m)

* For export, not recommended for GCC usage

AC Profiles

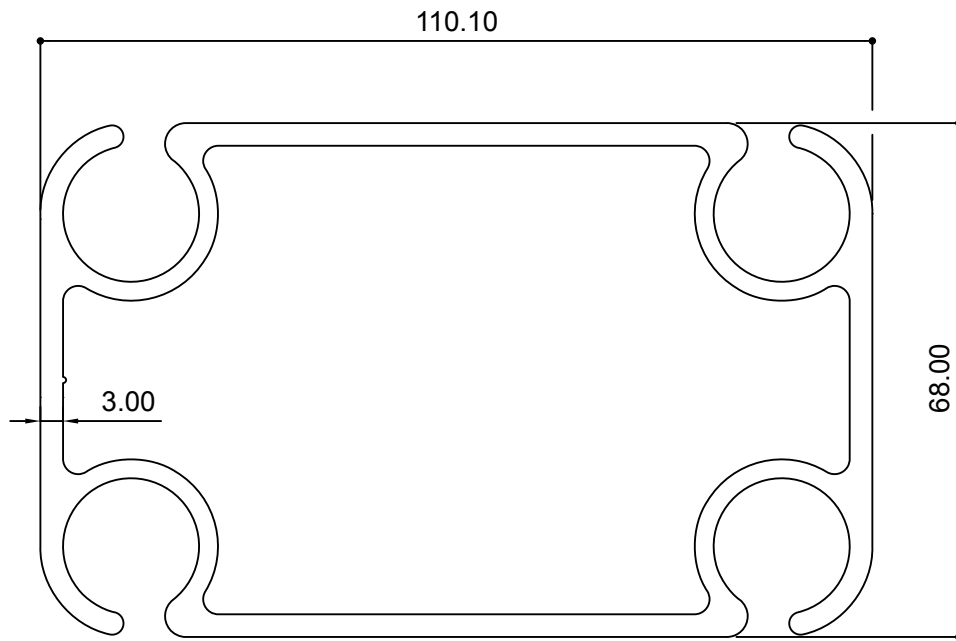


* For export, not recommended for GCC usage

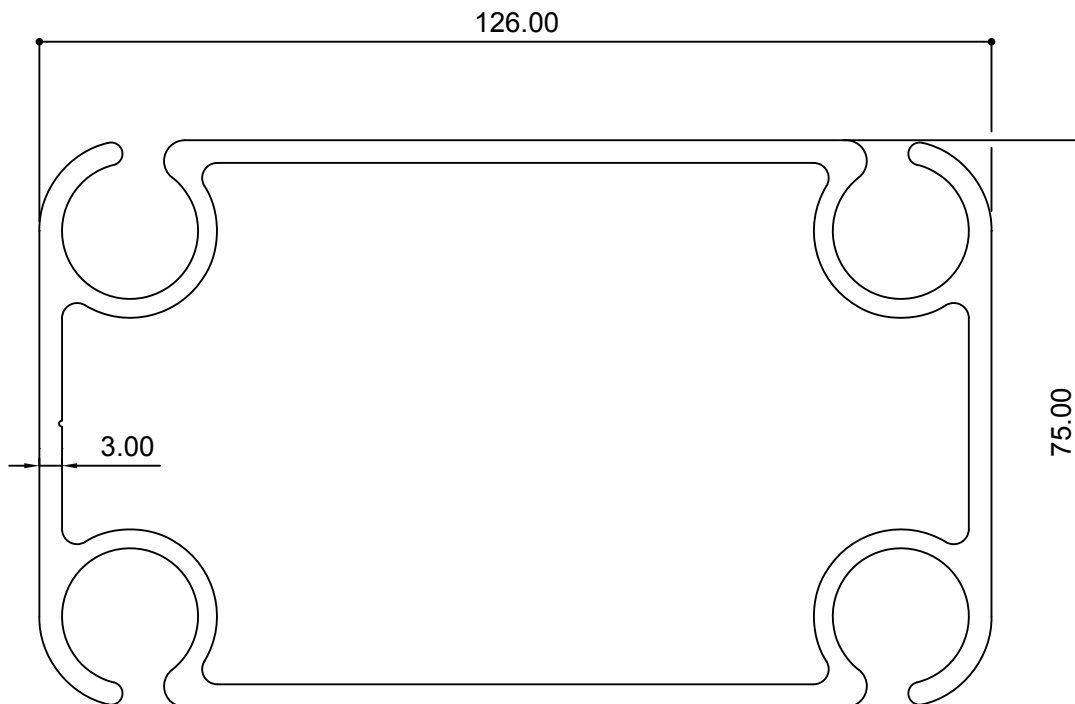
Tent Profiles



Tent Profiles



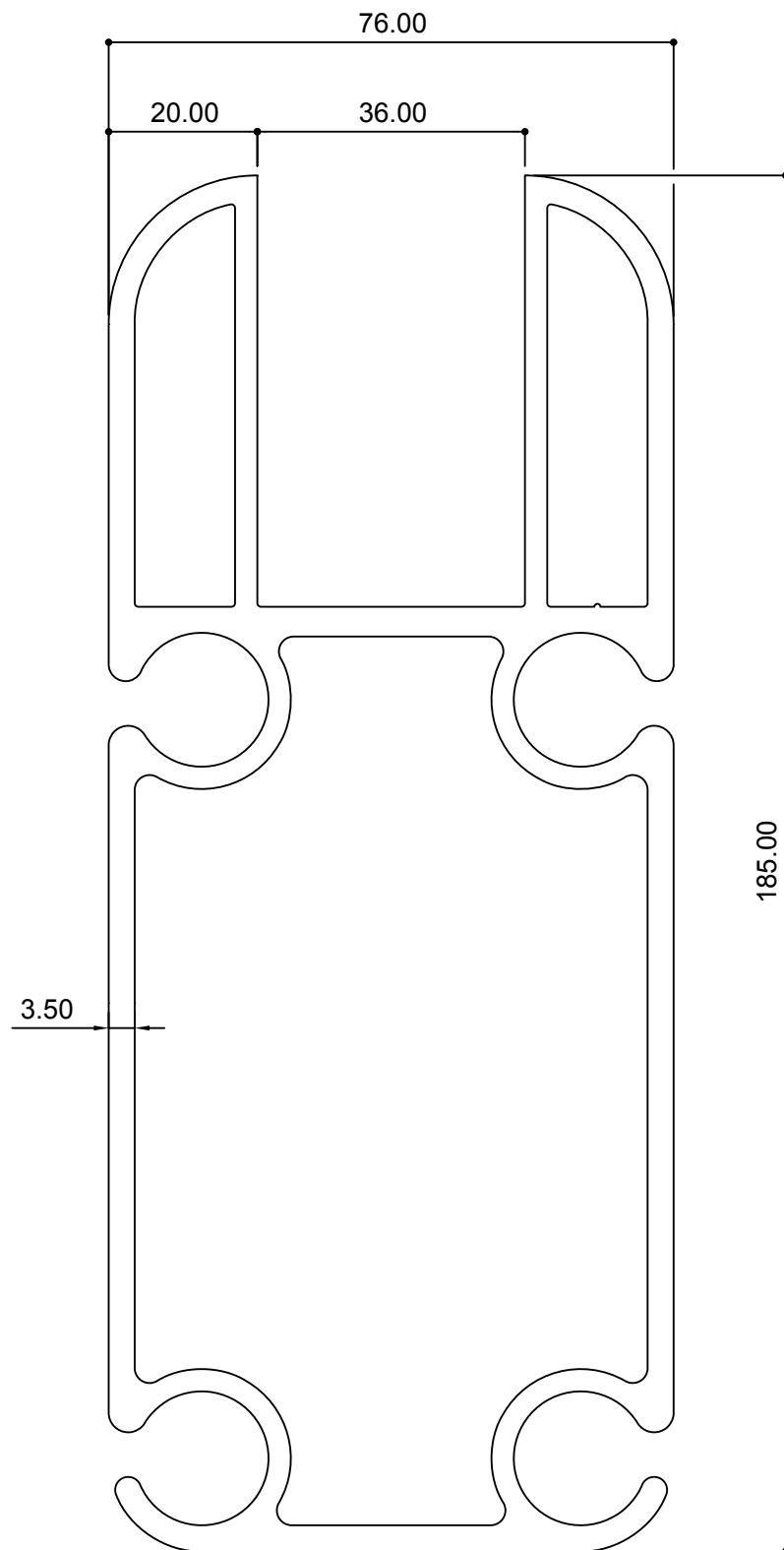
26528
(3.532 Kg/m)



26550
(3.902 Kg/m)

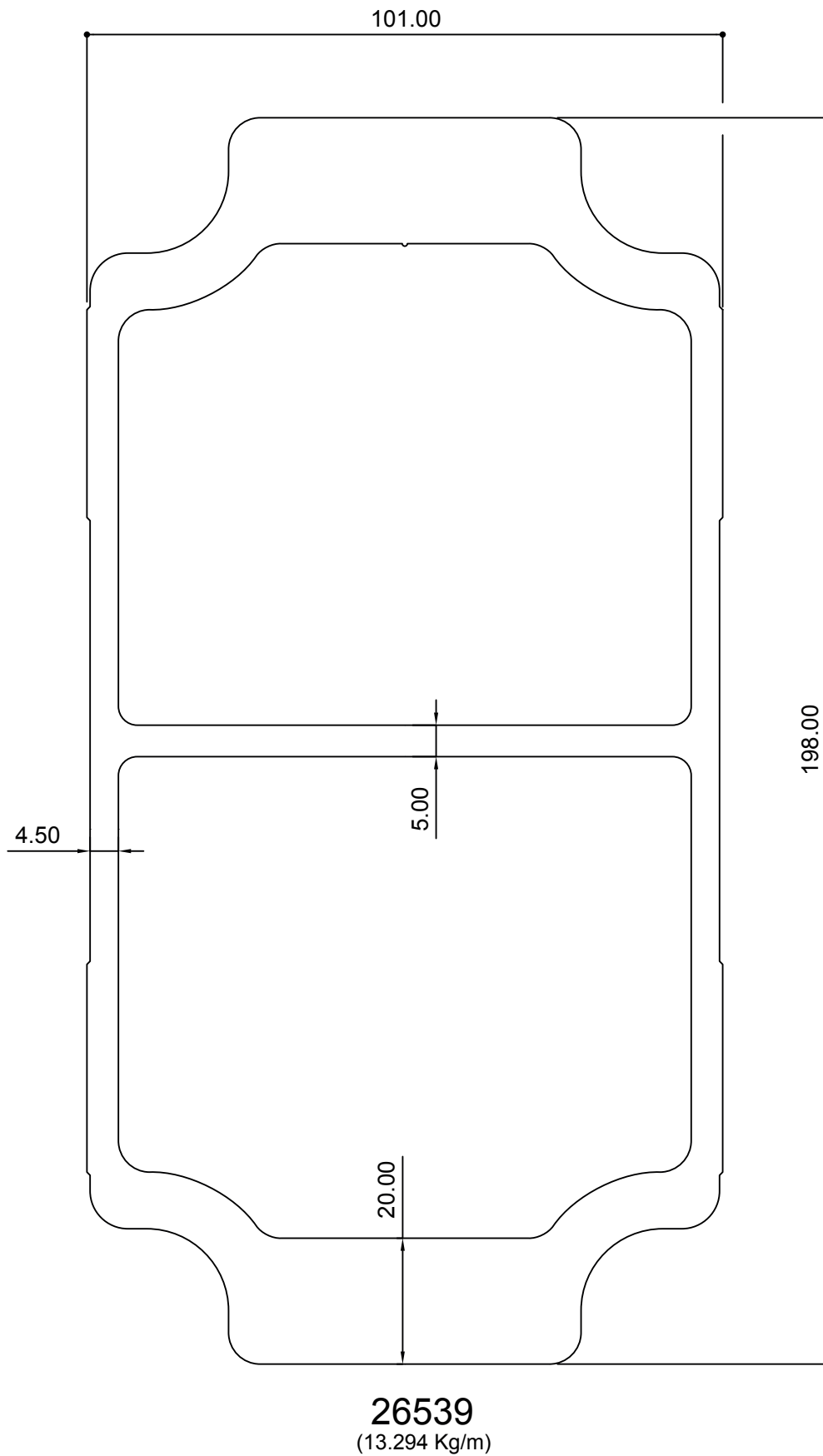
* For export, not recommended for GCC usage

Tent Profiles



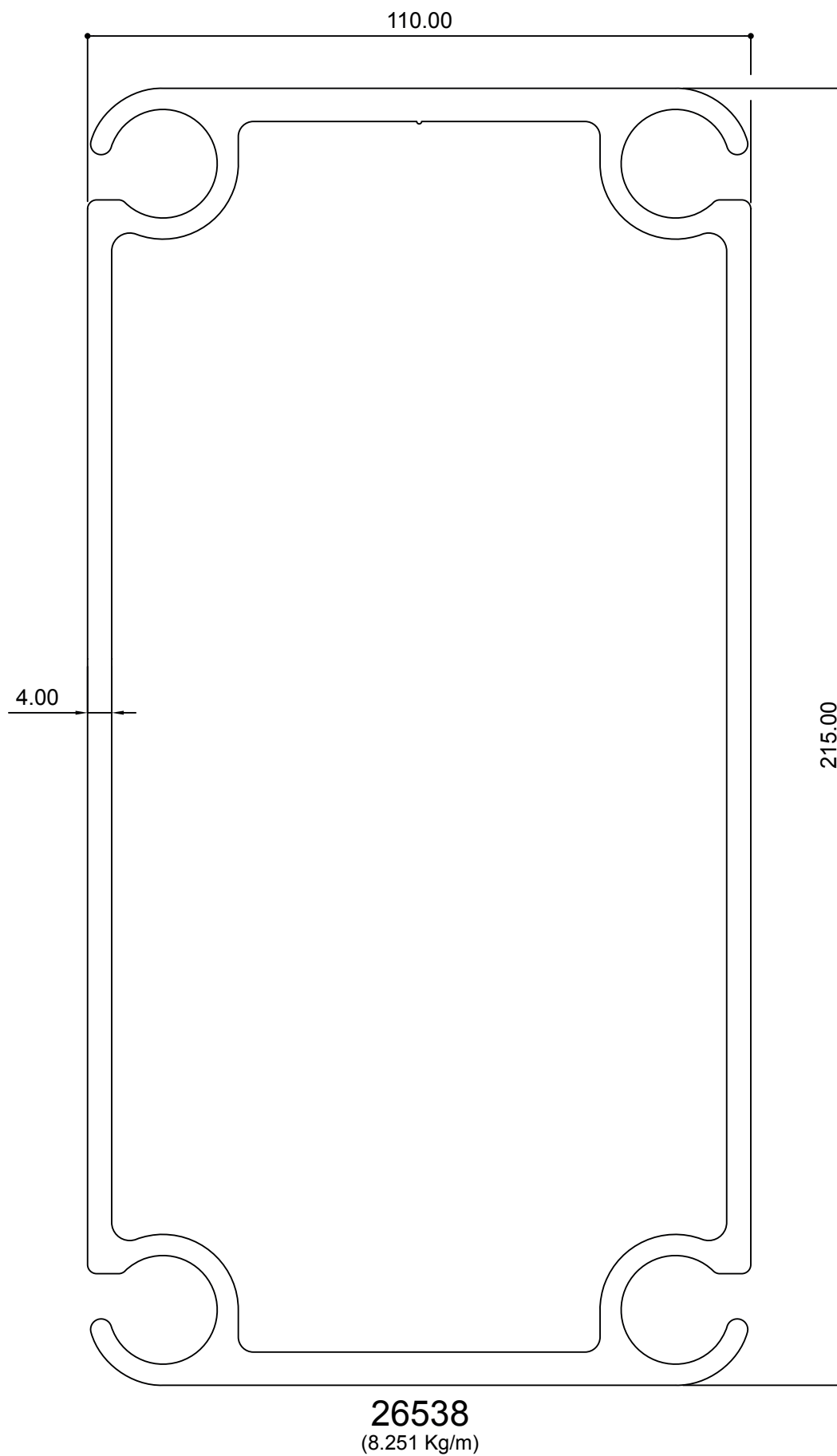
26549
(6.949 Kg/m)

* For export, not recommended for GCC usage



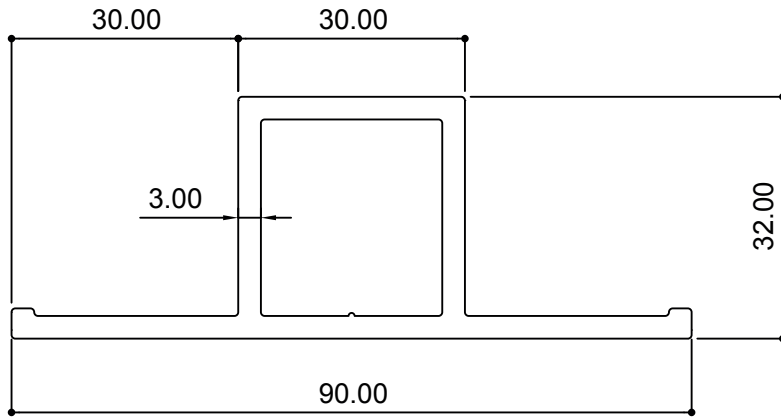
* For export, not recommended for GCC usage

Tent Profiles

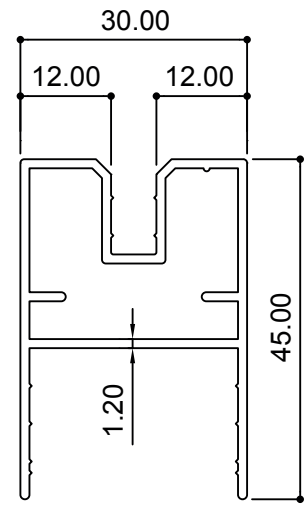


* For export, not recommended for GCC usage

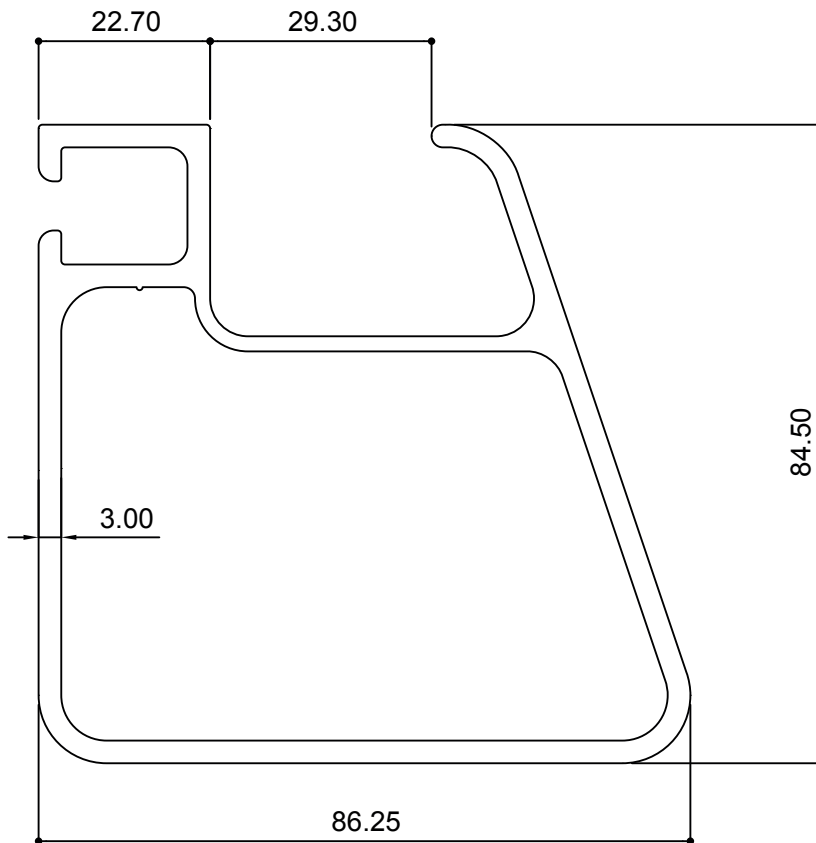
Tent Profiles



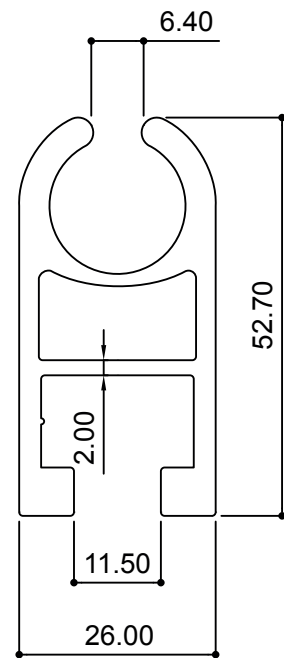
26542
(1.410 Kg/m)



26547
(0.578 Kg/m)



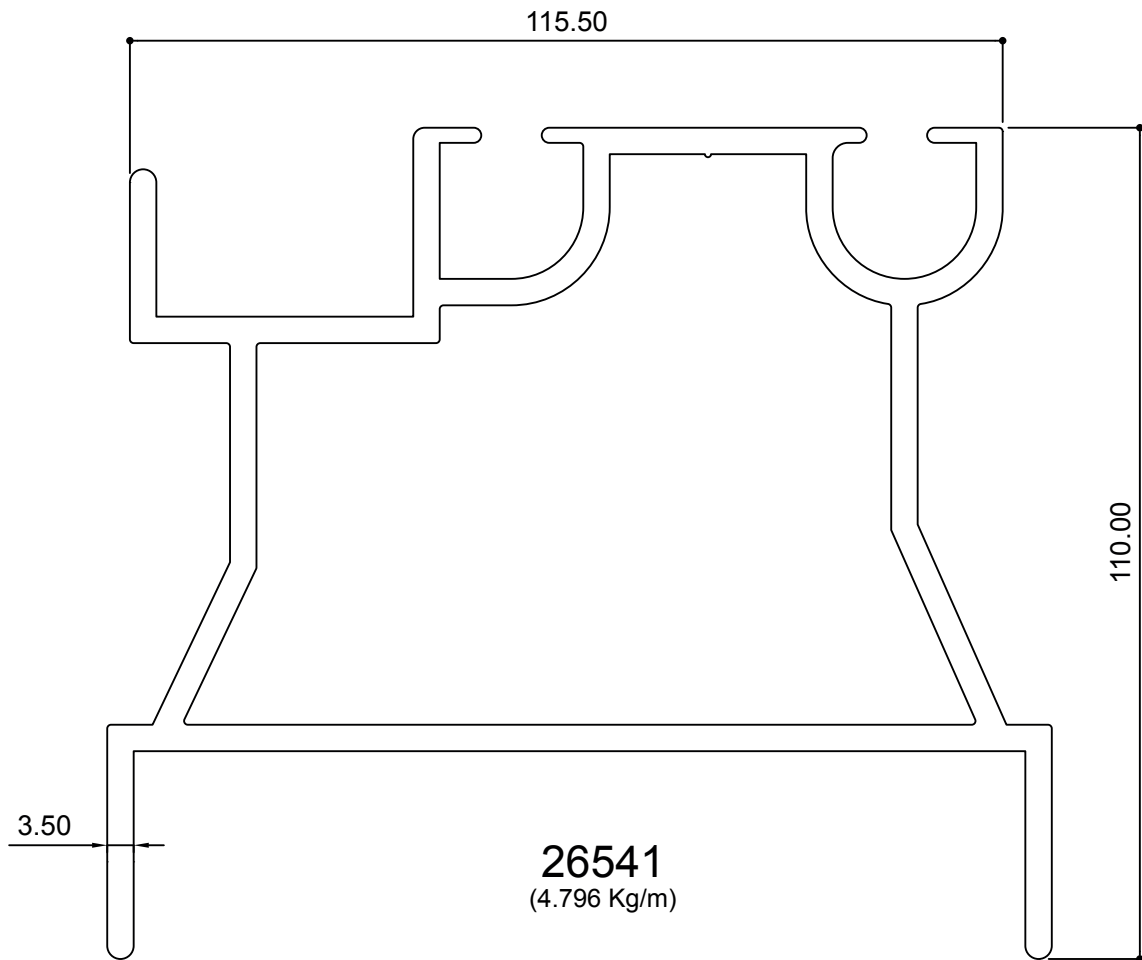
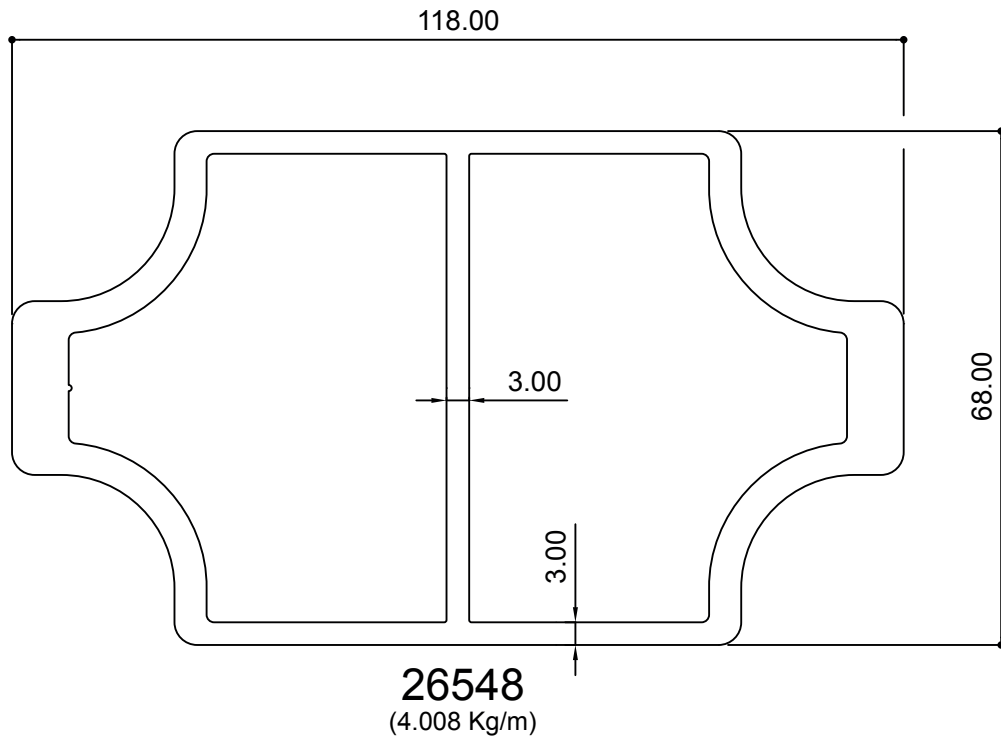
26560
(2.767 Kg/m)



26540
(1.365 Kg/m)

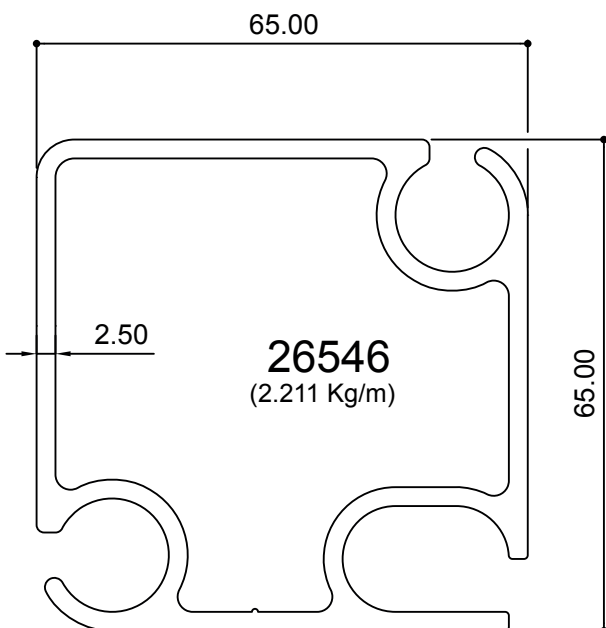
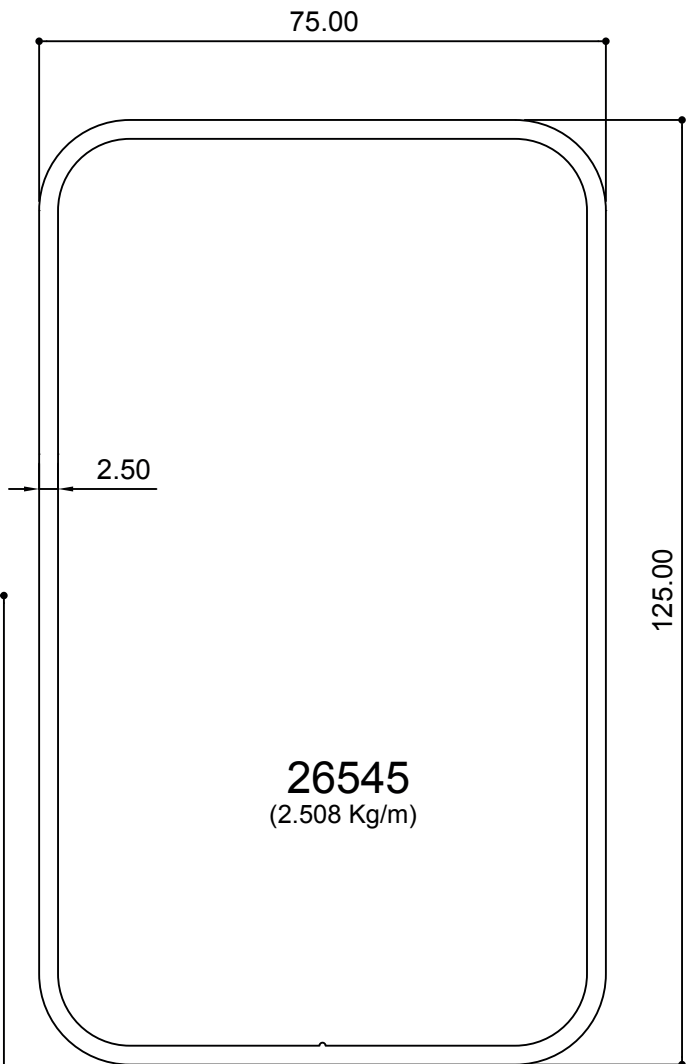
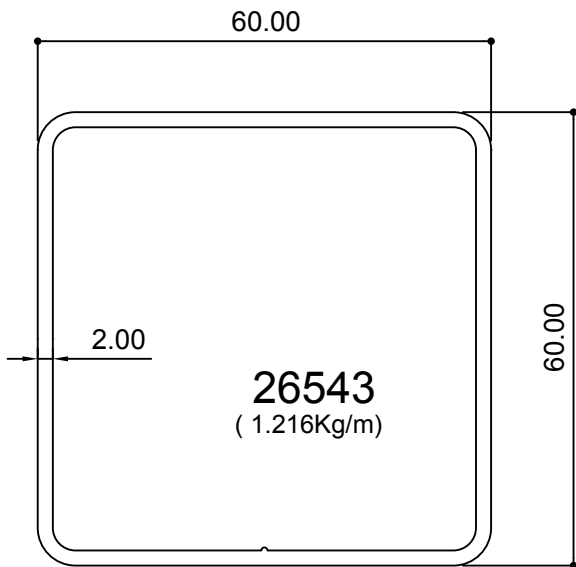
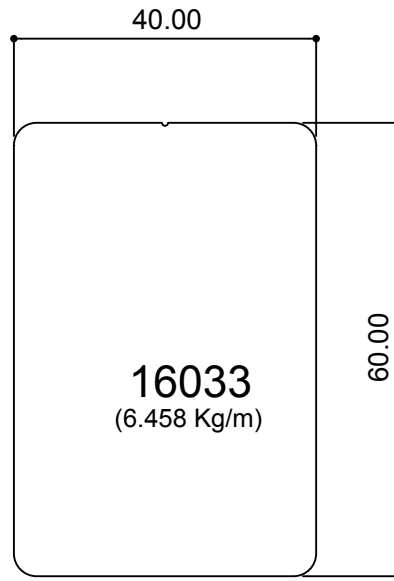
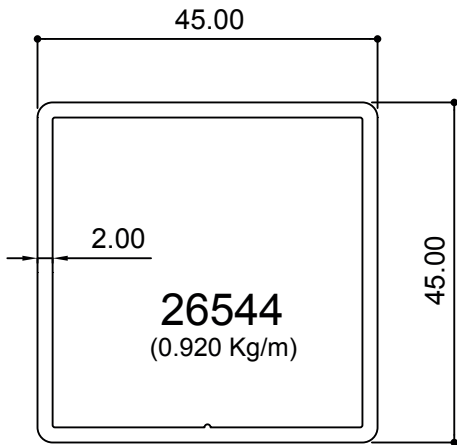
* For export, not recommended for GCC usage

Tent Profiles



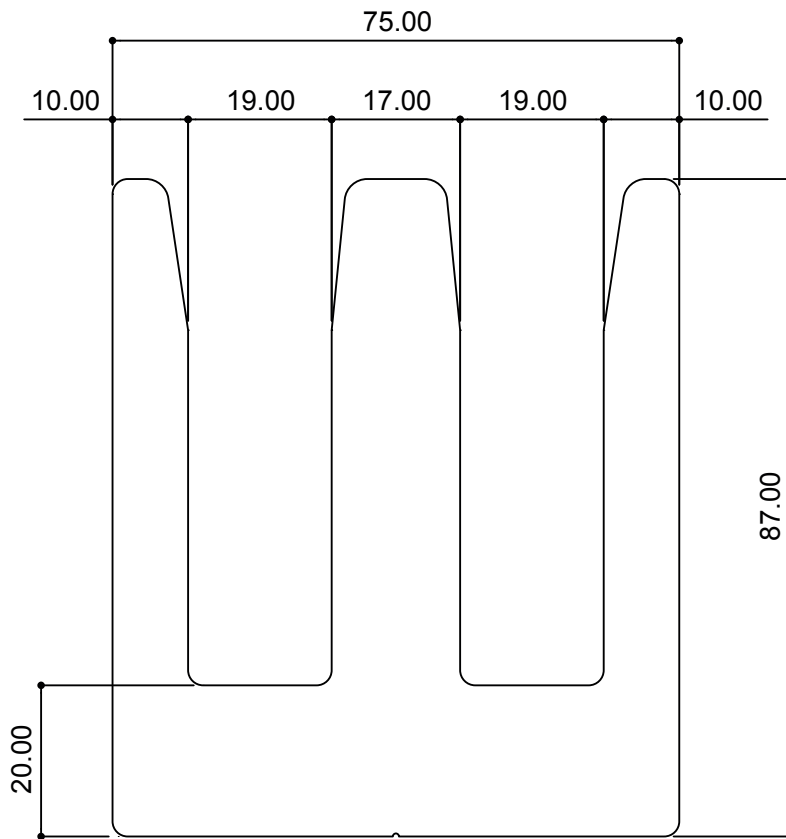
* For export, not recommended for GCC usage

Tent Profiles

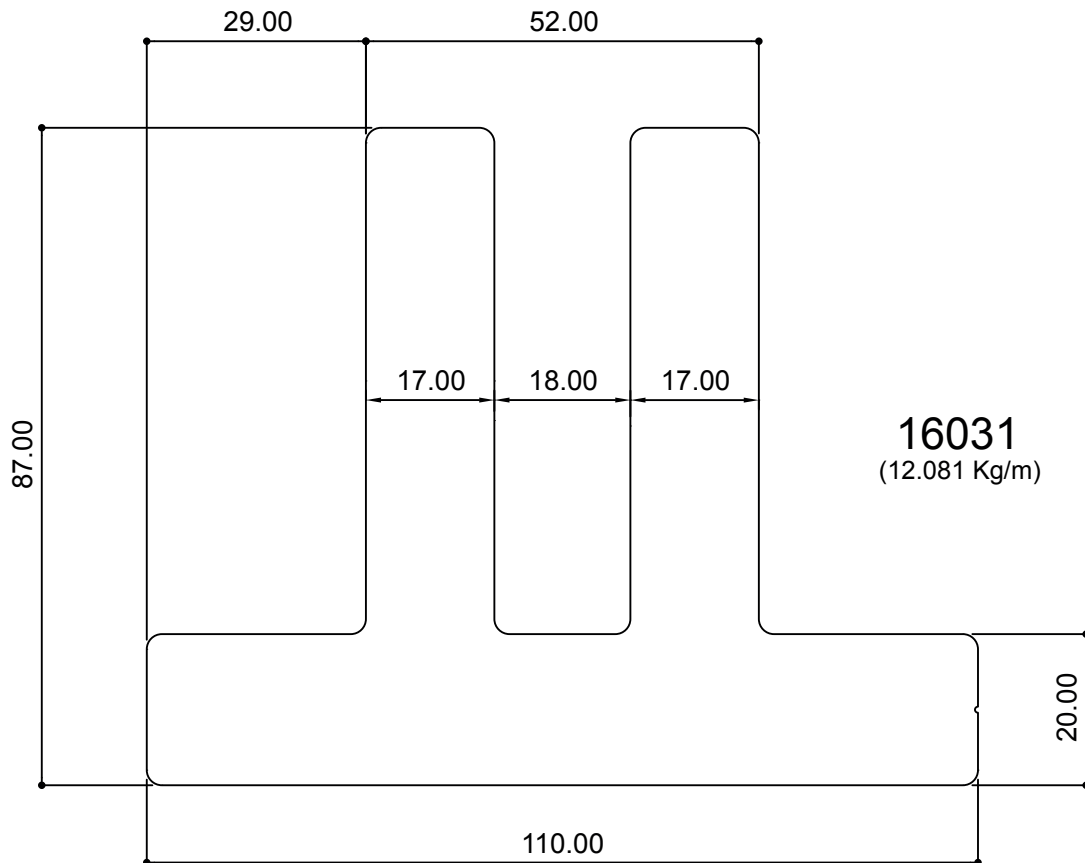


* For export, not recommended for GCC usage

Tent Profiles



16032
(10.457 Kg/m)



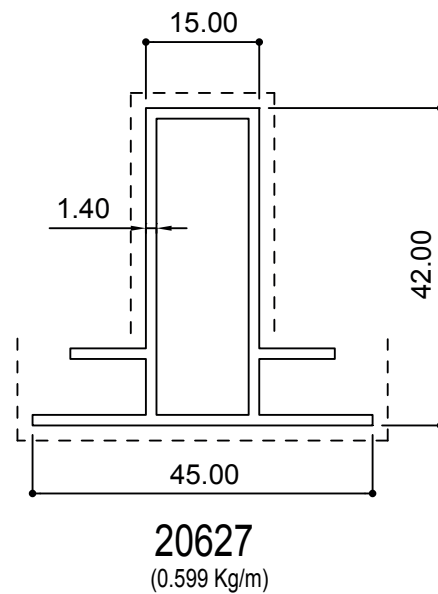
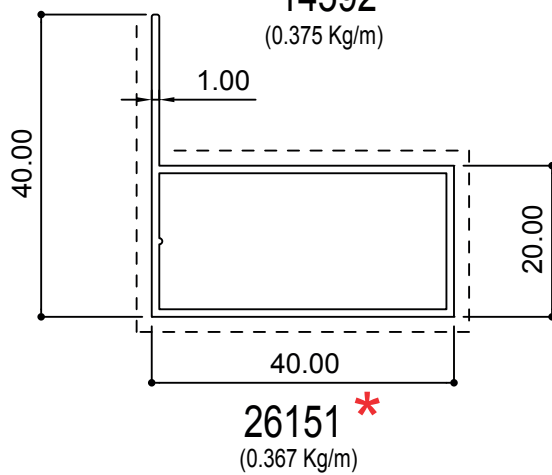
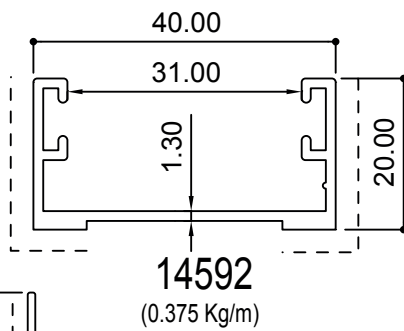
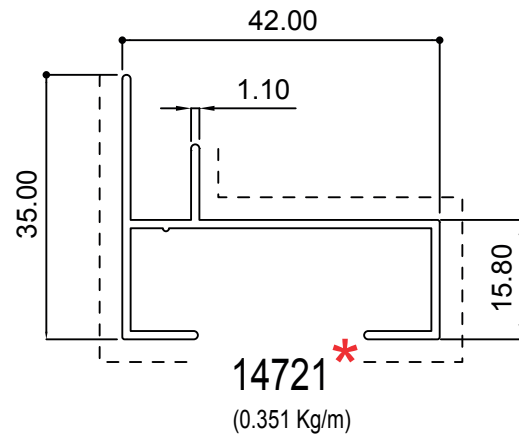
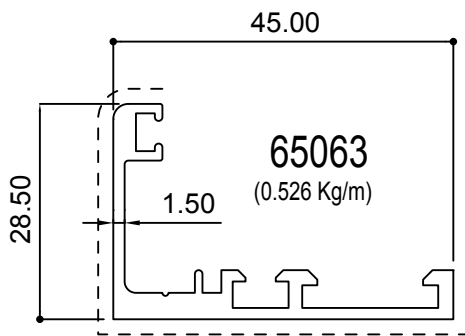
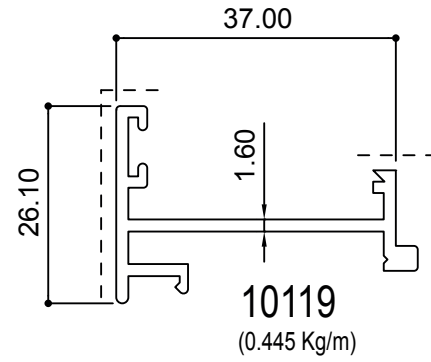
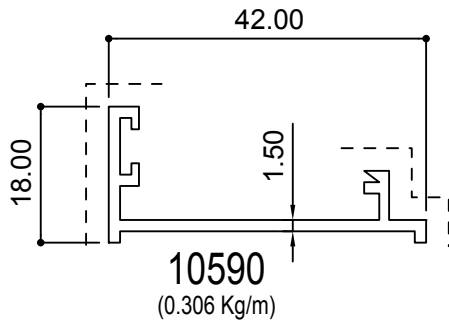
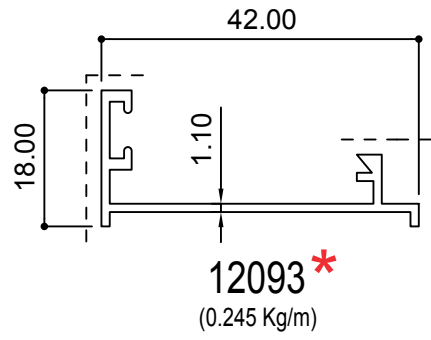
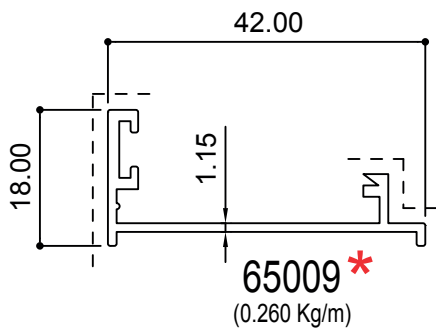
16031
(12.081 Kg/m)

* For export, not recommended for GCC usage

Miscellaneous

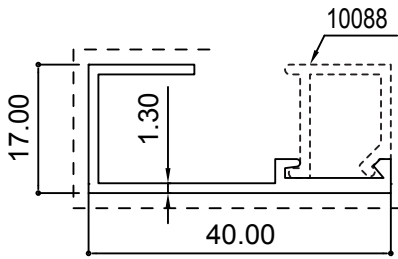


Miscellaneous

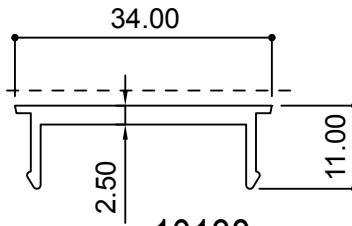


* For export, not recommended for GCC usage

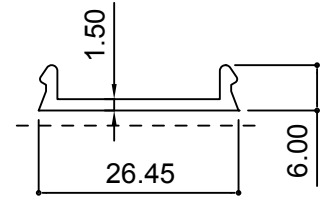
Miscellaneous



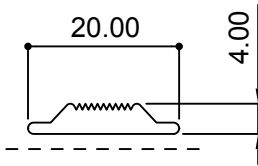
10087
(0.297 Kg/m)



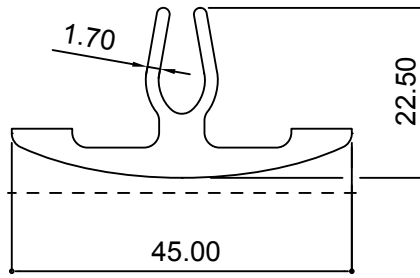
10138
(0.273 Kg/m)



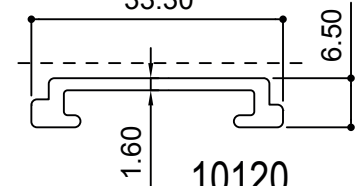
14105
(0.146 Kg/m)
33.30



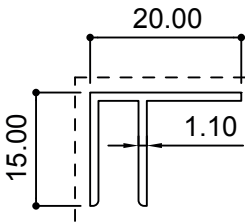
10082
(0.157 Kg/m)



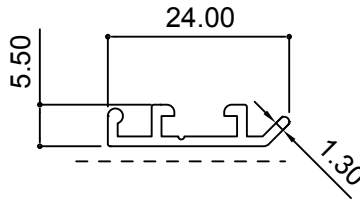
10627
(0.635 Kg/m)



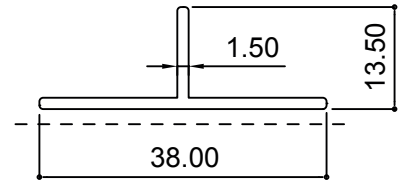
10120
(0.234 Kg/m)



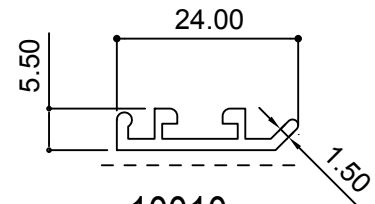
11138 *
(0.141 Kg/m)



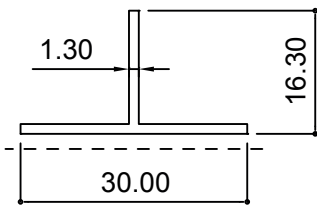
14720
(0.144 Kg/m)



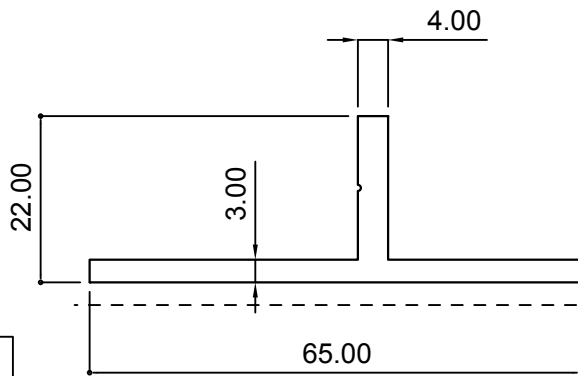
12602
(0.202 Kg/m)



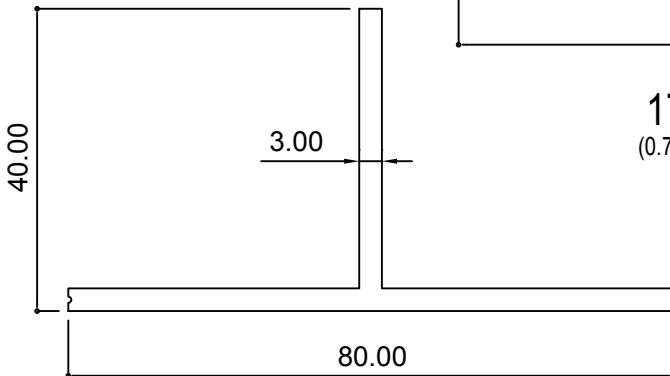
10010
(0.158 Kg/m)



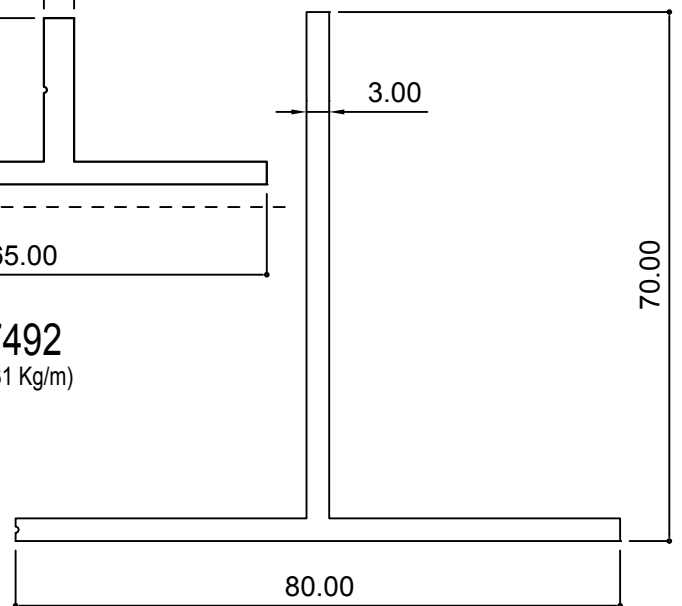
10665
(0.158 Kg/m)



17492
(0.731 Kg/m)



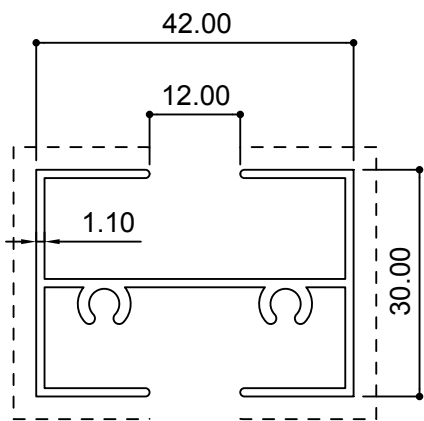
17294
(0.947 Kg/m)



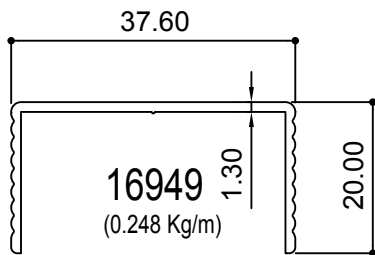
17295
(1.082 Kg/m)

* For export, not recommended for GCC usage

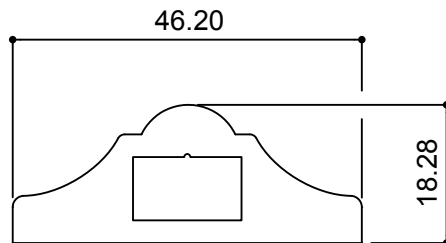
Miscellaneous



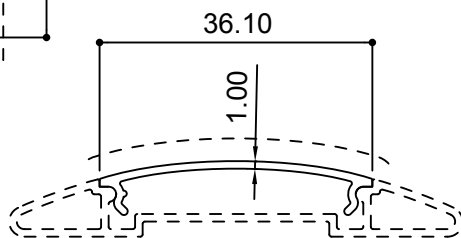
11115 *
(0.547 Kg/m)



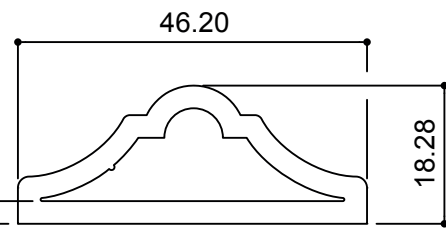
16949
(0.248 Kg/m)



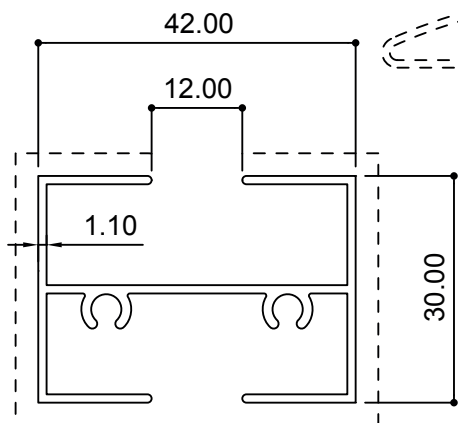
27668
(1.107 Kg/m)



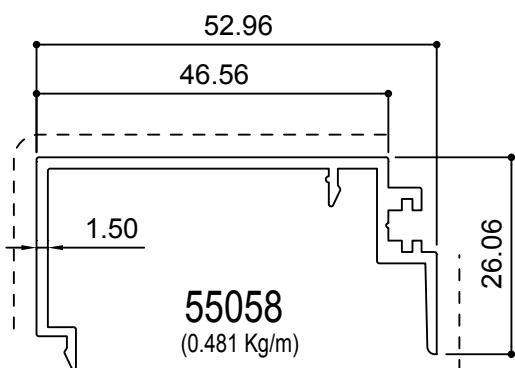
16756 *
(0.127 Kg/m)



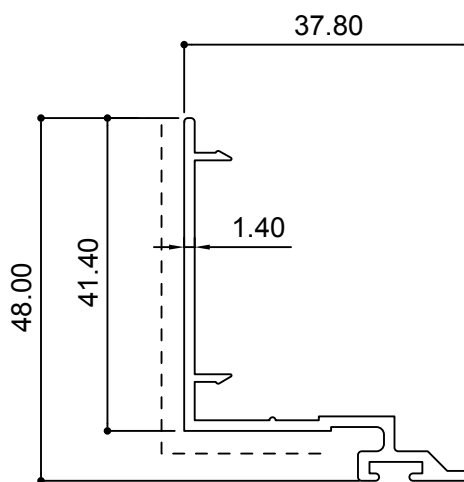
27518
(0.826 Kg/m)



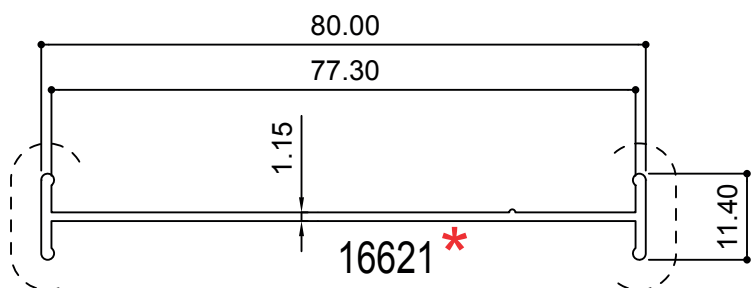
12384 *
(0.533 Kg/m)



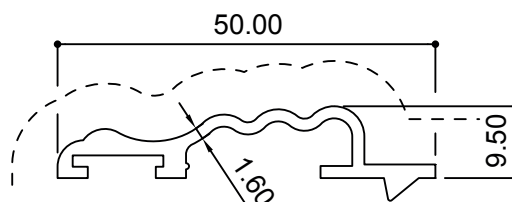
55058
(0.481 Kg/m)



55059
(0.382 Kg/m)

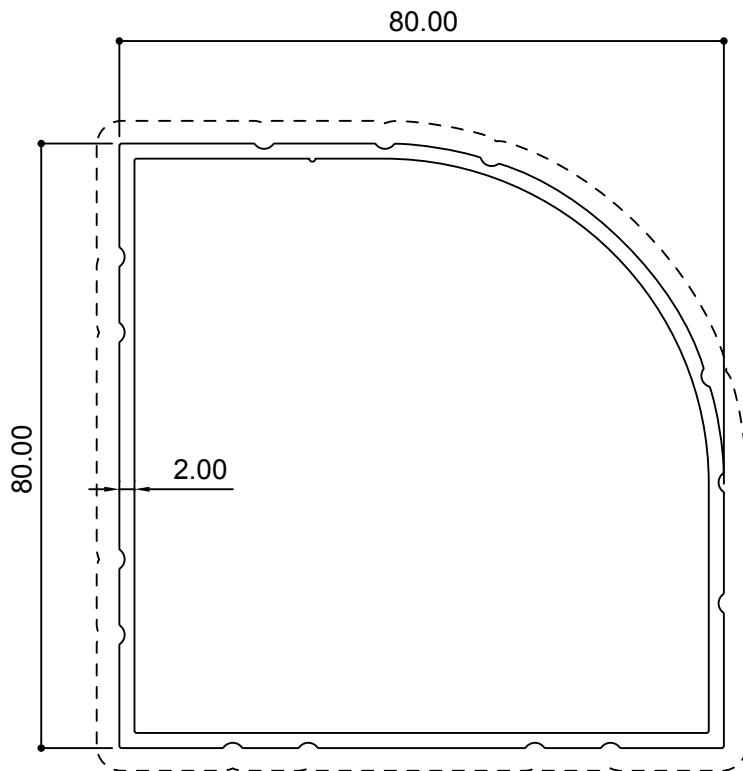


16621 *
(0.325 Kg/m)

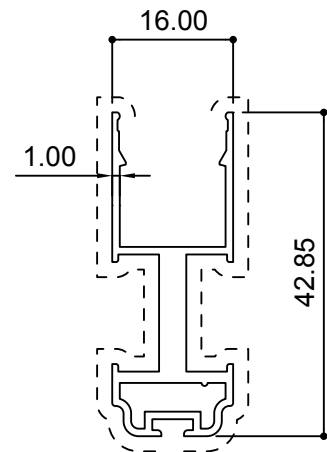


65049
(0.382 Kg/m)

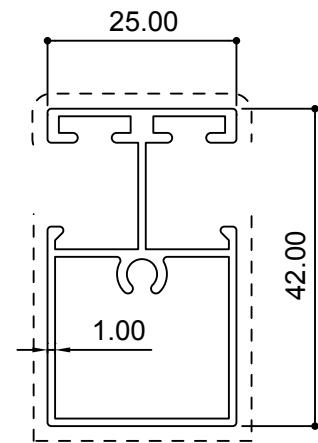
* For export, not recommended for GCC usage



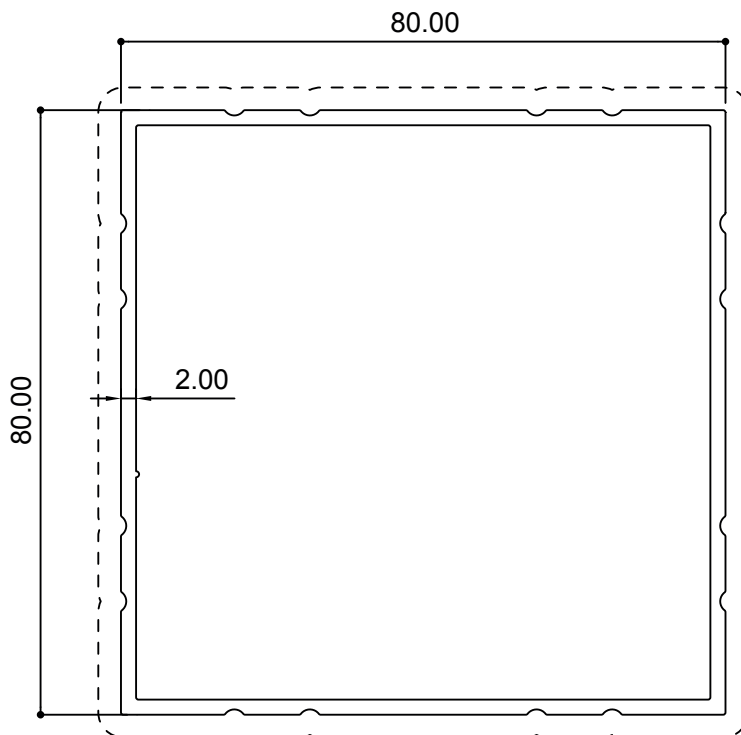
27536
(1.536 Kg/m)



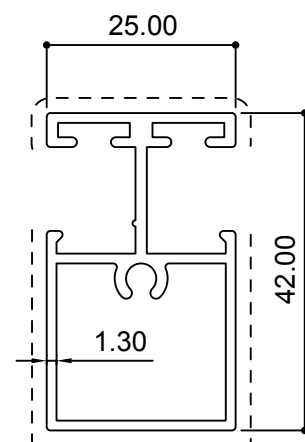
27559 *
(0.450 Kg/m)



24339 *
(0.508 Kg/m)



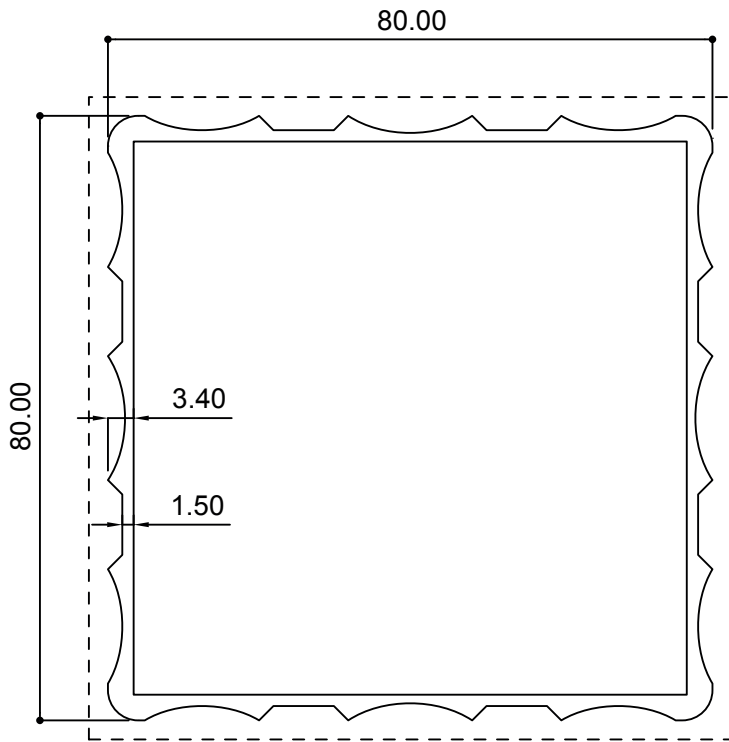
27537
(1.631 Kg/m)



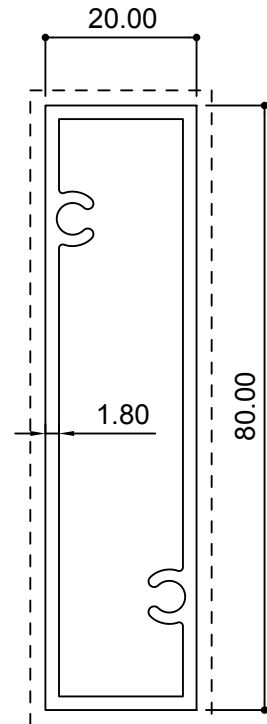
20861
(0.617 Kg/m)

* For export, not recommended for GCC usage

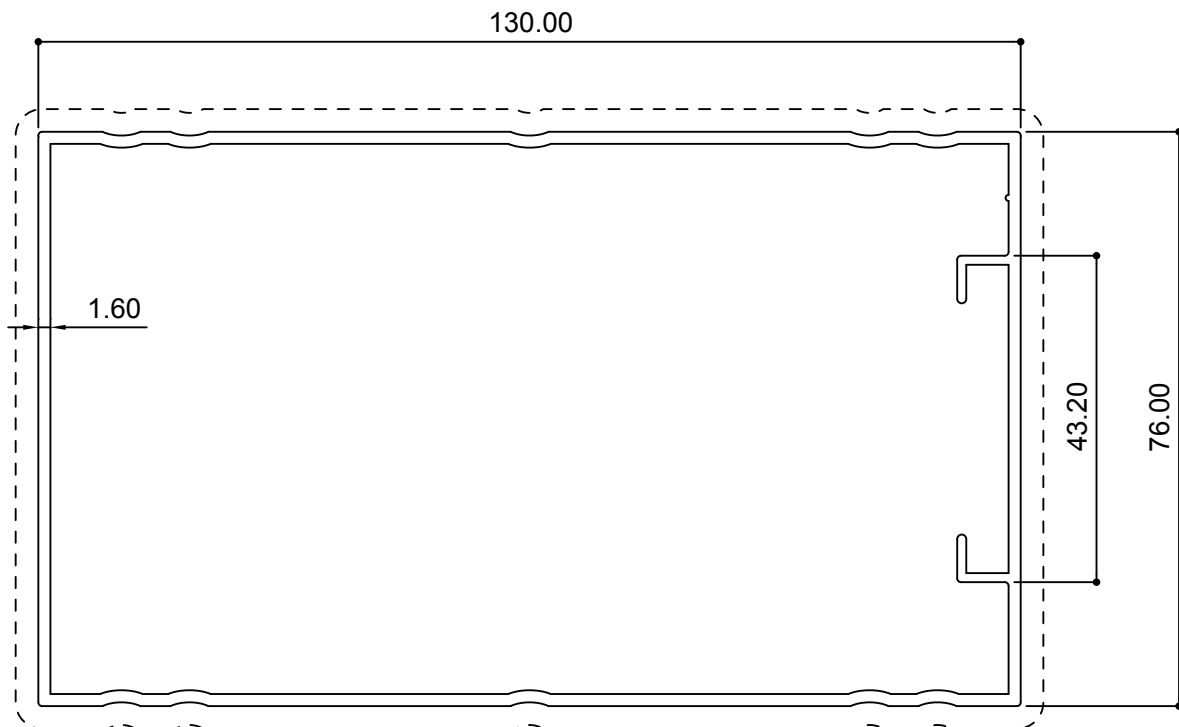
Miscellaneous



20352
(1.676 Kg/m)



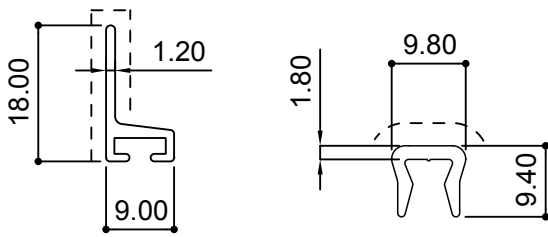
24551
(1.014 Kg/m)



27492
(1.834 Kg/m)

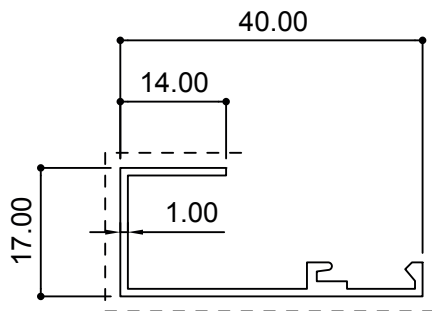
* For export, not recommended for GCC usage

Miscellaneous

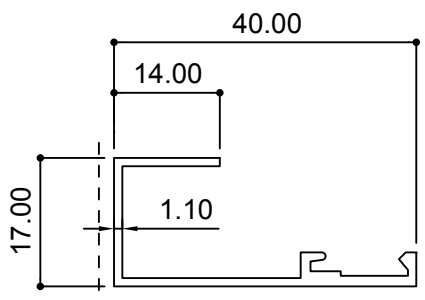


11387
(0.108 Kg/m)

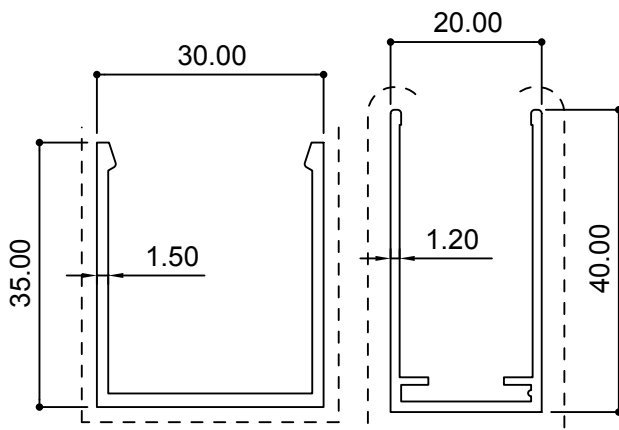
16600
(0.109 Kg/m)



11681*
(0.229 Kg/m)

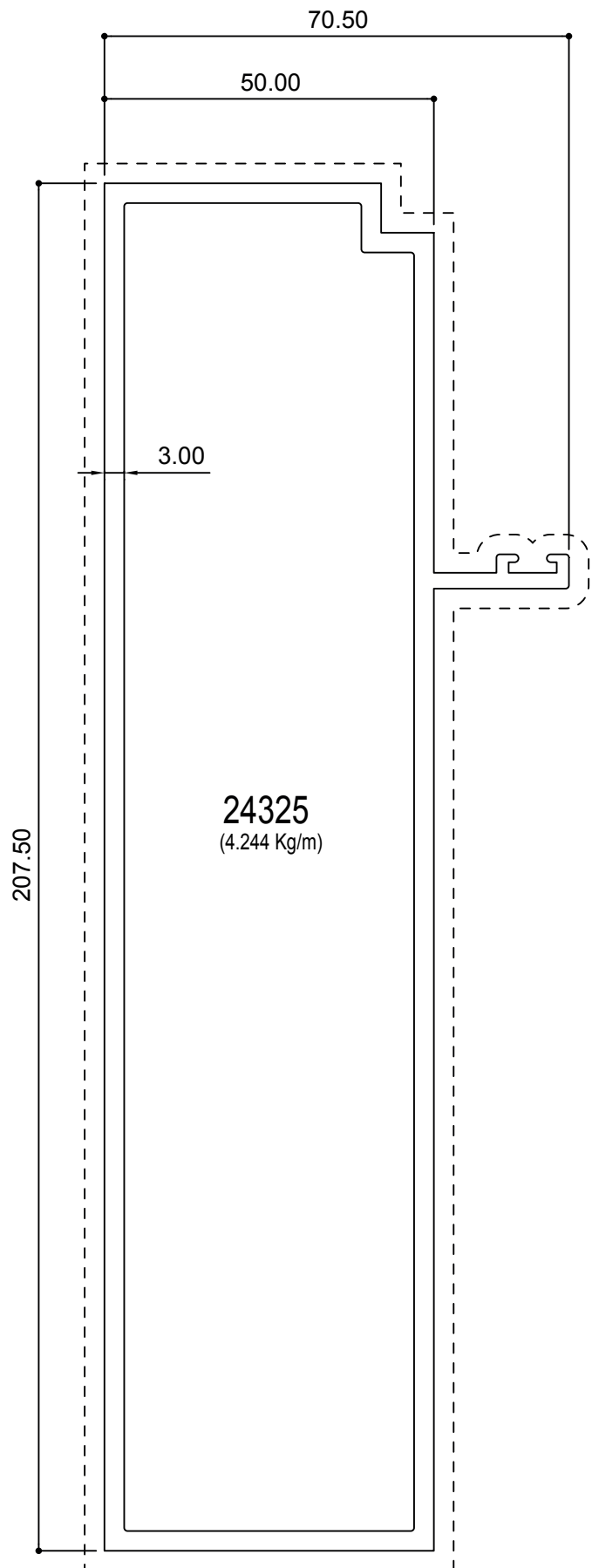


11103*
(0.253 Kg/m)



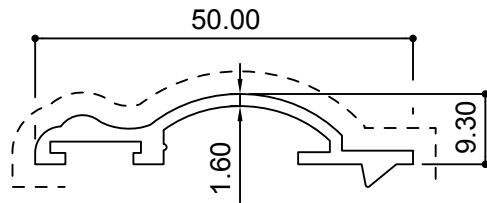
14104
(0.426 Kg/m)

16700
(0.351 Kg/m)

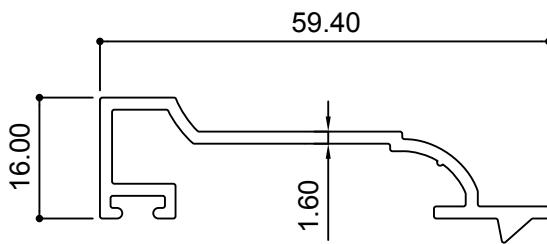


24325
(4.244 Kg/m)

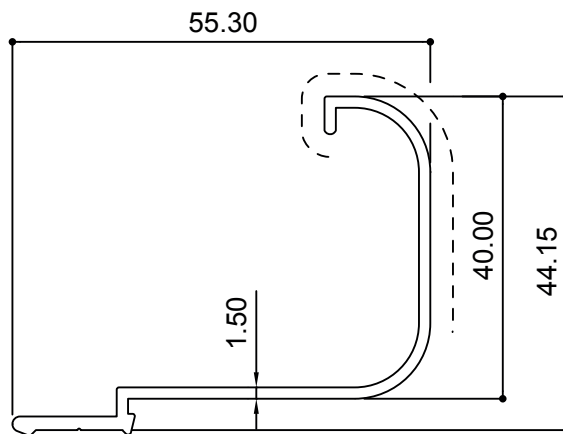
* For export, not recommended for GCC usage



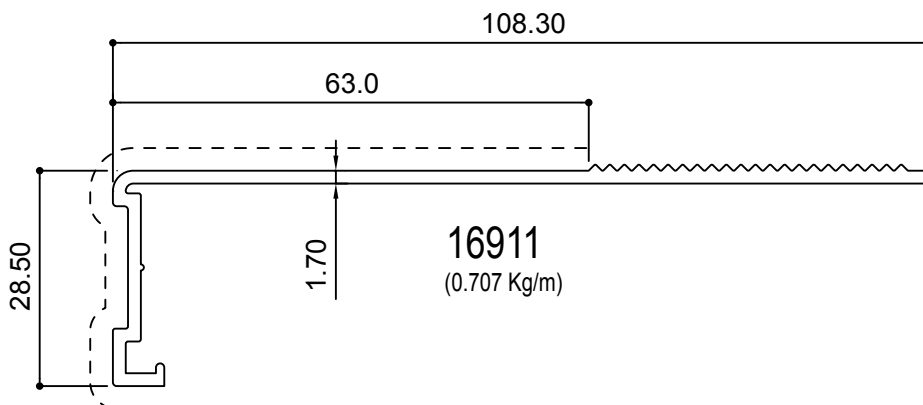
65050
(0.365 Kg/m)



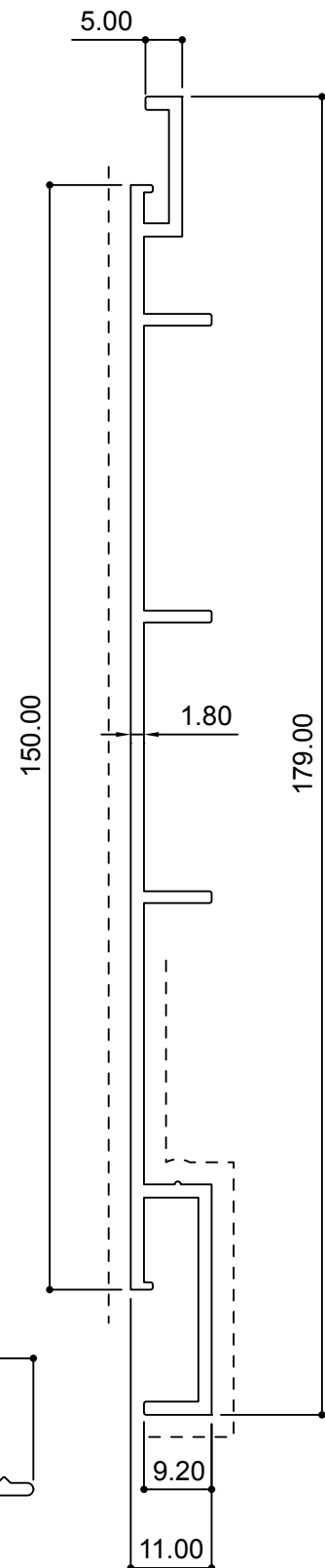
65051
(0.453 Kg/m)



65045
(0.447 Kg/m)



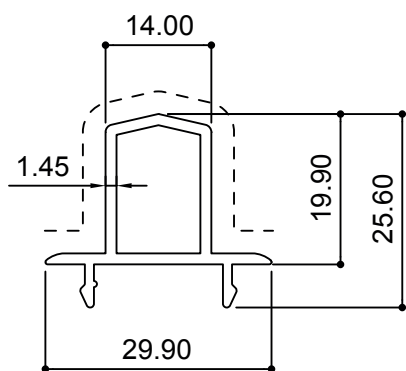
16911
(0.707 Kg/m)



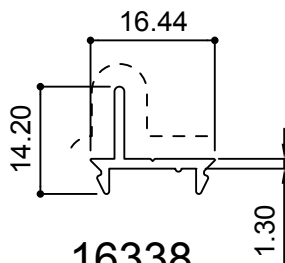
16624
(1.203 Kg/m)

* For export, not recommended for GCC usage

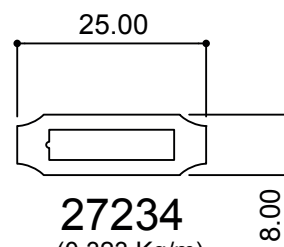
Miscellaneous



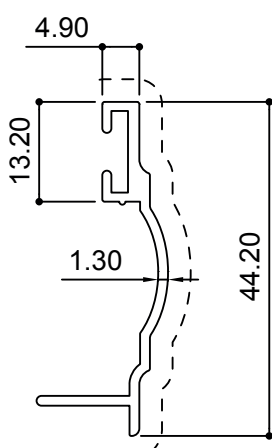
27217
(0.330 Kg/m)



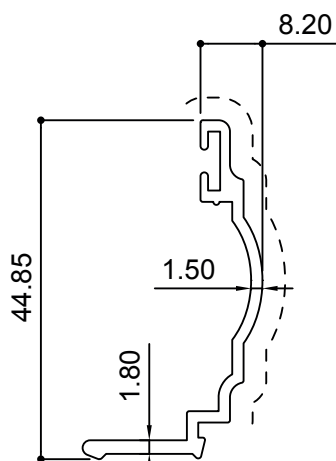
16338
(0.109 Kg/m)



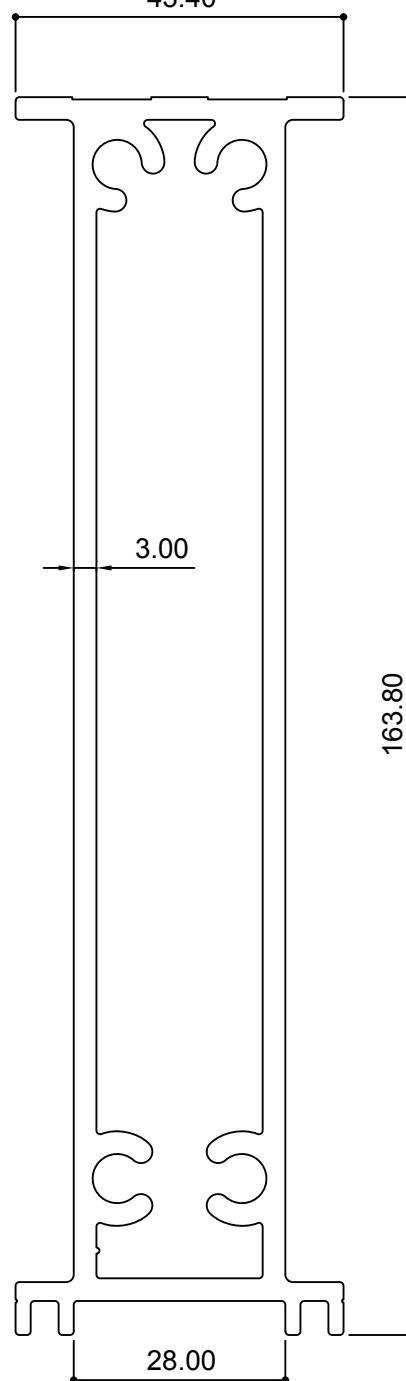
27234
(0.323 Kg/m)
43.40



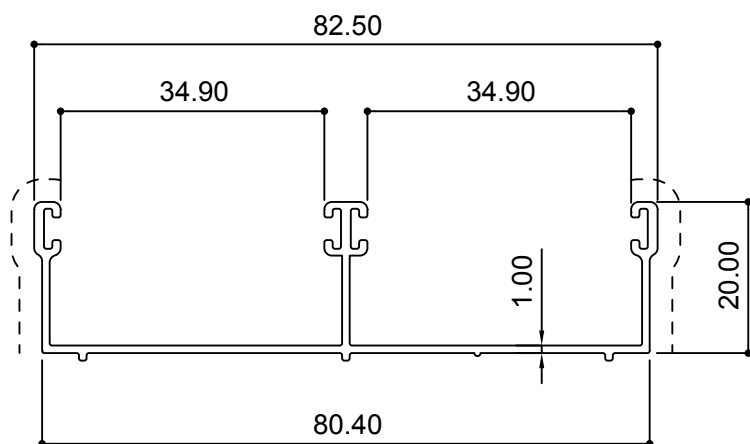
16337
(0.266 Kg/m)



16339
(0.321 Kg/m)



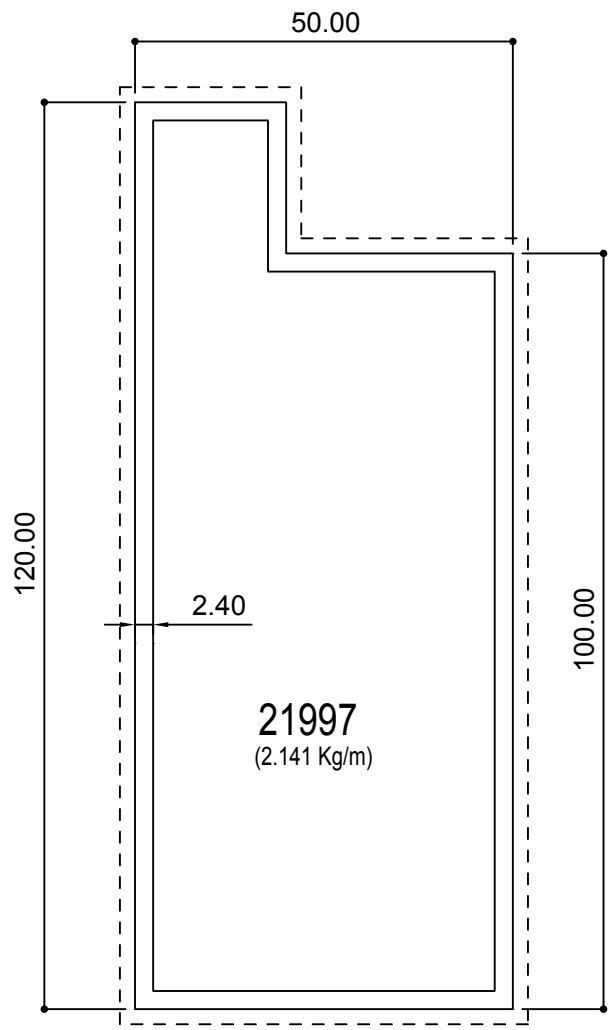
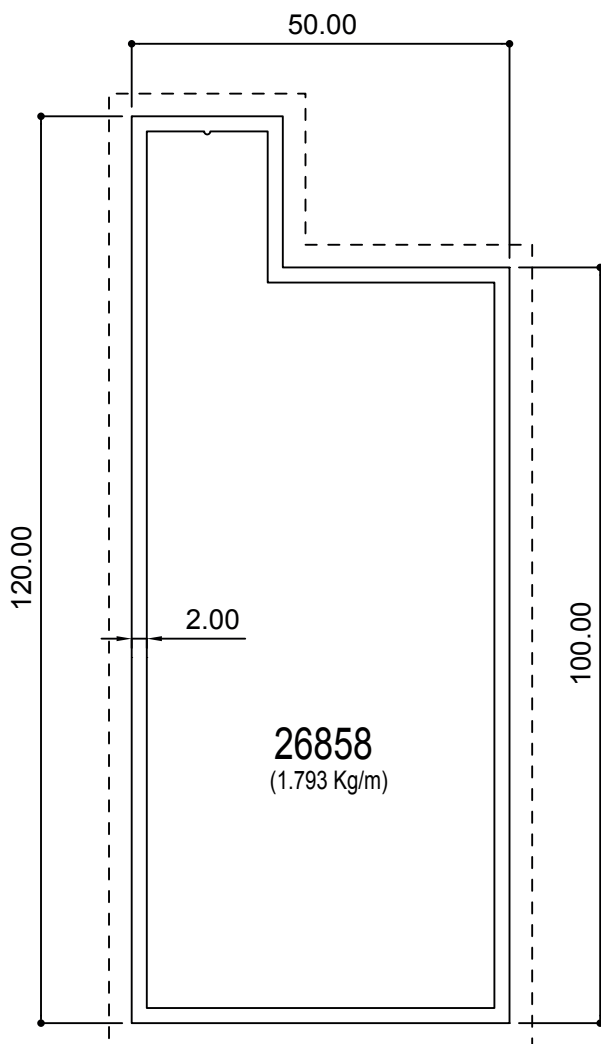
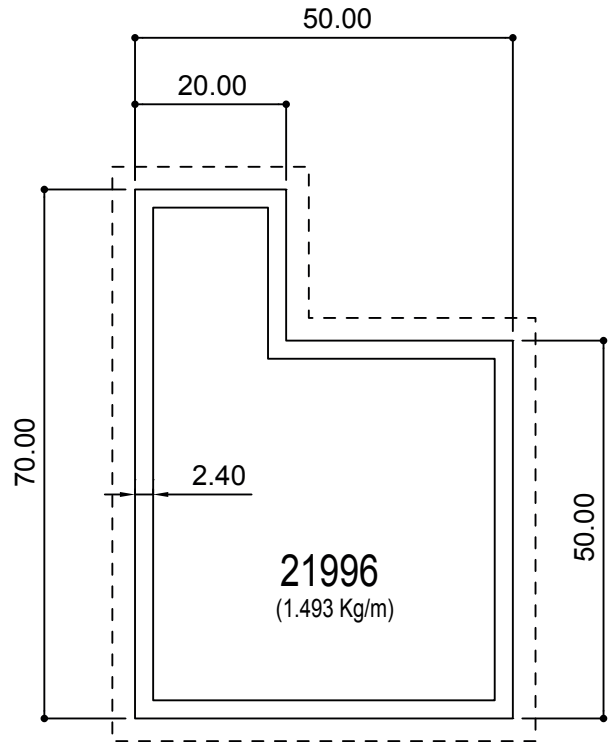
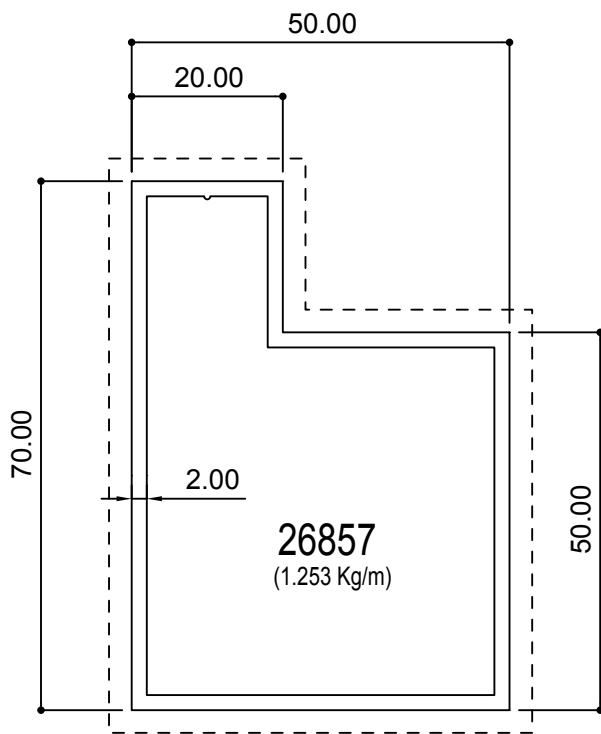
27308
(3.728 Kg/m)



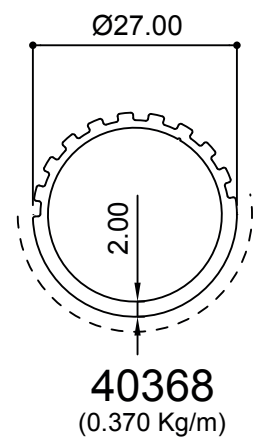
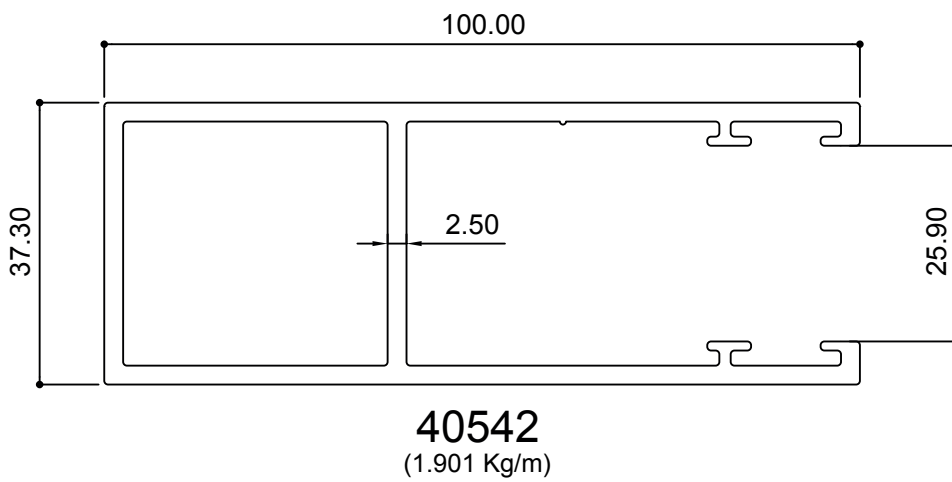
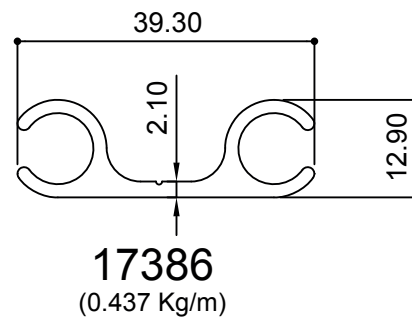
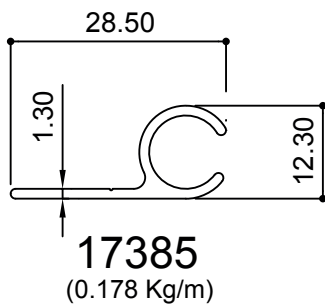
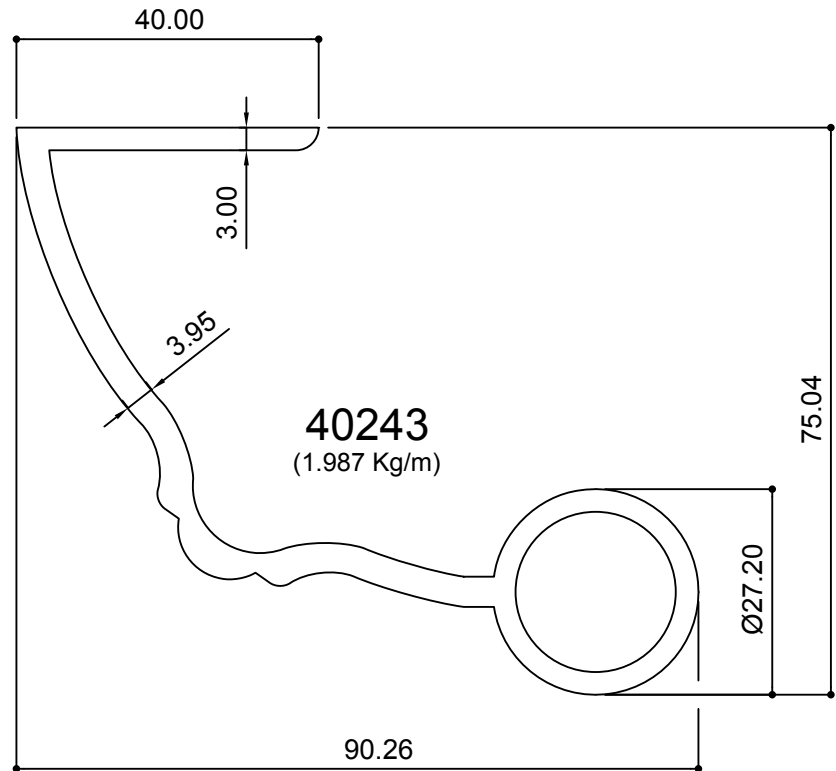
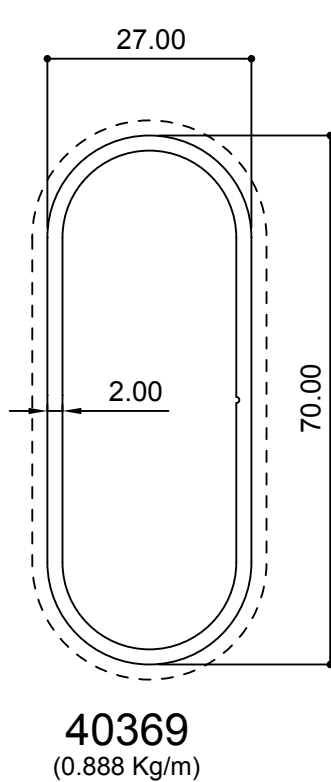
55053*
(0.461 Kg/m)

* For export, not recommended for GCC usage

Miscellaneous



* For export, not recommended for GCC usage

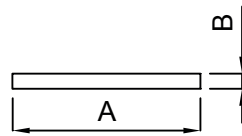


* For export, not recommended for GCC usage

Standard Profiles



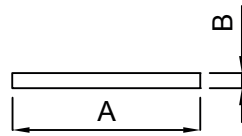
FLAT BARS



Sec.No.	A (mm)	B (mm)	Wt/m (kg)	Remarks
11092	15.00	3.00	0.122	
14212	18.70	4.20	0.212	Rounded Corners
11266	19.10	3.00	0.155	
12033	19.10	4.50	0.232	
14635	20.00	2.00	0.108	
14670	20.00	3.00	0.162	
14315	20.00	5.00	0.270	
17245	22.23	1.59	0.094	Round Corners
14514	24.50	1.30	0.086	
12250	25.00	2.00	0.135	
14672	25.00	3.00	0.203	
14634	25.00	5.00	0.338	
13702	25.00	6.00	0.405	
14671	25.00	10.00	0.675	
11201	25.40	1.00	0.069	
11267	25.40	3.00	0.206	
12034	25.40	4.50	0.309	
13156	27.20	10.10	0.727	
12885	30.00	2.00	0.162	
12467	30.00	3.00	0.243	
12468	30.00	5.00	0.405	
14673	30.00	10.00	0.810	
11736	32.00	2.00	0.173	
11844	32.00	3.00	0.259	
17208	32.00	8.75	0.754	Round Corners
14274	32.00	16.00	1.382	
10044	35.00	25.00	2.363	
11126	38.10	6.00	0.617	
11324	40.00	2.00	0.214	Rounded Edge
11465	40.00	3.00	0.324	

* For export, not recommended for GCC usage

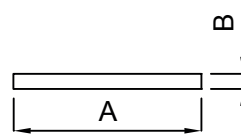
FLAT BARS



Sec.No.	A (mm)	B (mm)	Wt/m (kg)	Remarks
10147	40.00	4.00	0.432	
12469	40.00	5.00	0.540	
14674	40.00	6.00	0.648	
12470	40.00	8.00	0.864	
14316	40.00	10.00	1.080	
14278	40.00	20.00	2.160	
17336	43.00	9.50	1.101	Rounded Corners
12886	50.00	2.90	0.392	
14676	50.00	3.00	0.405	
12994	50.00	3.20	0.432	Rounded Corners
10030	50.00	4.00	0.540	
12471	50.00	5.00	0.675	
16067	50.00	8.00	1.080	
14675	50.00	10.00	1.350	
14279	50.00	16.00	2.160	
14280	50.00	19.00	2.565	
11270	50.80	3.00	0.411	
11338	50.80	6.00	0.823	
11196	50.80	9.00	1.234	
12461	50.80	12.70	1.742	
17207	52.50	5.00	0.706	Rounded Corners
10741	60.00	6.00	0.972	
16033	60.00	40.00	6.458	
16146	70.00	4.80	0.907	
17481	70.00	12.00	2.267	Rounded Corners
17227	72.40	9.50	1.847	Rounded Corners
17228	72.40	12.00	2.336	Rounded Corners
11869	76.20	3.00	0.617	
11121	76.20	6.00	1.234	
12460	76.20	12.70	2.613	

* For export, not recommended for GCC usage

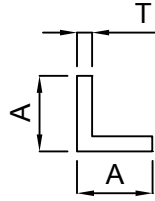
FLAT BARS



Sec.No.	A (mm)	B (mm)	Wt/m (kg)	Remarks
17202	80.00	3.00	0.648	
12808	80.00	4.00	0.864	
11480	80.00	8.00	1.728	
12465	80.00	10.00	2.160	
11383	84.00	17.50	3.969	
17195	86.40	9.50	2.206	Rounded Corners
17194	86.40	12.00	2.797	Rounded Corners
11974	90.00	6.00	1.458	Rounded Corners
17382	90.00	15.00	3.645	Rounded Corners
11481	95.00	8.00	2.052	
17201	100.00	3.00	0.810	
11038	100.00	3.00	0.805	Rounded Edge
13017	100.00	4.00	1.080	
10742	100.00	6.00	1.620	
17142	100.00	8.00	2.160	
12466	100.00	10.00	2.700	
14290	101.60	19.05	5.226	
16875	120.00	8.00	2.591	Rounded Corners
16871	120.00	10.00	3.239	Rounded Corners
16870	120.00	12.00	3.887	Rounded Corners
16872	122.00	10.00	3.293	Rounded Corners
16873	122.00	12.00	3.952	Rounded Corners
16874	122.00	15.00	4.940	Rounded Corners
17096	127.00	9.20	3.155	
16040	129.00	25.00	8.708	
14097	140.00	5.00	1.890	
14317	140.00	20.00	7.560	
17521	144.00	10.00	3.888	Rounded Corners
11471	150.00	6.00	2.430	
11836	150.00	8.00	3.240	

* For export, not recommended for GCC usage

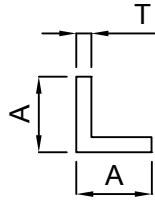
EQUAL ANGLES



Sec.No.	A (mm)	B (mm)	T (mm)	Wt/m (kg)	Remarks
11229	15.00	15.00	1.00	0.078	
11691	15.00	15.00	1.20	0.093	
10229	15.00	15.00	1.50	0.115	
16297	20.00	20.00	0.70	0.074	
16003	20.00	20.00	0.90	0.095	
11228	20.00	20.00	1.00	0.105	
14812	20.00	20.00	1.10	0.116	
11104	20.00	20.00	1.20	0.126	
10227	20.00	20.00	1.30	0.136	
13112	20.00	20.00	1.40	0.146	
10051	20.00	20.00	1.50	0.156	
14638	20.00	20.00	2.00	0.205	
14637	20.00	20.00	3.00	0.300	
16296	25.00	25.00	0.70	0.093	
11077	25.00	25.00	1.10	0.145	
10057	25.00	25.00	1.50	0.196	
13113	25.00	25.00	2.00	0.259	
11466	25.00	25.00	3.00	0.381	
12451	25.40	25.40	1.59	0.211	
12842	25.40	25.40	6.35	0.762	
16298	30.00	30.00	0.70	0.112	
14992	30.00	30.00	0.90	0.144	With Radius
11227	30.00	30.00	1.00	0.159	
10577	30.00	30.00	1.30	0.206	
10199	30.00	30.00	1.50	0.237	
13107	30.00	30.00	2.00	0.313	
14993	30.00	30.00	2.30	0.358	
13108	30.00	30.00	2.50	0.388	
14994	30.00	30.00	2.70	0.418	With Radius
13109	30.00	30.00	2.80	0.432	

* For export, not recommended for GCC usage

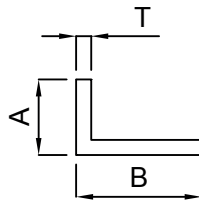
EQUAL ANGLES



Sec.No.	A (mm)	B (mm)	T (mm)	Wt/m (kg)	Remarks
10513	30.00	30.00	3.00	0.462	
10027	30.00	30.00	4.85	0.722	
10028	30.30	30.30	2.50	0.392	
11262	31.80	31.80	3.00	0.491	
11076	35.00	35.00	3.50	0.628	
10512	38.00	38.00	3.00	0.591	
11785	40.00	40.00	1.30	0.276	
16805	40.00	40.00	1.50	0.318	Rounded Corners
10301	40.00	40.00	2.00	0.421	
14995	40.00	40.00	2.80	0.584	
10056	40.00	40.00	3.00	0.624	
10514	40.00	40.00	3.60	0.743	
10200	40.00	40.00	3.80	0.782	
10224	40.00	40.00	4.00	0.821	
11464	40.00	40.00	5.00	1.013	
11385	44.50	44.50	3.00	0.697	
14666	50.00	50.00	1.50	0.399	
10703	50.00	50.00	2.00	0.529	
12443	50.00	50.00	3.00	0.786	
10029	50.00	50.00	4.00	1.036	
10225	50.00	50.00	5.00	1.282	
12872	50.00	50.00	6.00	1.523	
14430	50.00	50.00	8.00	1.987	
11189	50.80	50.80	3.00	0.799	
12445	50.80	50.80	6.35	1.633	
14109	55.00	55.00	4.50	1.282	
14920	60.00	60.00	3.00	0.947	
14768	60.00	60.00	6.00	1.846	
12835	63.50	63.50	6.35	2.069	
14636	75.00	75.00	5.00	1.957	

* For export, not recommended for GCC usage

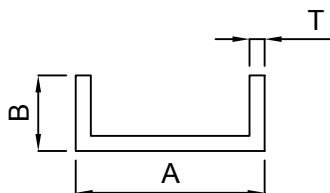
UNEQUAL ANGLES



Sec.No.	A (mm)	B (mm)	T (mm)	Wt/m (kg)	Remarks
11632	15.00	10.00	2.00	0.124	
16101	17.00	14.00	1.50	0.119	
14954	20.00	15.00	1.80	0.161	
14972	22.00	20.00	2.00	0.218	With Radius Inside Corner
13707	25.00	20.00	3.00	0.340	
12810	25.00	40.00	3.00	0.502	
14996	30.00	20.00	1.80	0.234	
10651	32.00	20.00	2.00	0.270	With Vee Groove
14435	35.00	20.00	3.00	0.421	
14421	38.00	14.00	1.80	0.244	
10049	40.00	20.00	2.00	0.313	
14973	40.00	20.00	2.00	0.316	With Radius Inside Corner
14997	40.00	35.00	2.80	0.546	
10511	40.00	35.00	3.00	0.583	
12217	50.00	20.00	1.90	0.349	
12453	50.00	25.00	3.00	0.583	
12887	50.00	25.00	2.50	0.489	
14769	50.00	30.00	3.00	0.624	
11134	51.70	33.30	1.50	0.338	
17198	50.00	36.00	6.00	1.295	Rounded Corners
11135	51.70	9.60	1.50	0.242	
16688	60.00	40.00	4.00	1.037	
11345	63.00	59.00	3.00	0.964	
11737	70.00	10.00	2.00	0.421	
16806	70.00	40.00	1.50	0.439	Rounded Corners
14851	74.00	60.00	10.00	3.347	
14668	75.00	50.00	3.00	0.988	
16859	76.00	34.00	1.50	0.439	Rounded Corners
11124	76.20	25.40	3.00	0.799	

* For export, not recommended for GCC usage

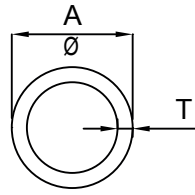
UNEQUAL CHANNELS



Sec.No.	A (mm)	B (mm)	T (mm)	Wt/m (kg)	Remarks
17296	9.00	12.00	1.20	0.098	Rounded Corners
10334	11.50	10.00	1.30	0.101	Rounded Corners
16150	12.00	15.00	1.00	0.108	Rounded Corners
12252	12.30	19.00	1.50	0.192	
10980	15.00	10.00	1.50	0.130	
16744	18.00	40.00	2.00	0.508	
16151	19.00	15.00	1.00	0.127	Rounded Corners
11783	20.00	16.00	1.10	0.148	
10372	20.00	25.00	2.00	0.356	
10477	20.00	30.50	3.00	0.608	
10335	23.00	15.00	1.30	0.177	Rounded Corners
12442	23.00	40.00	1.50	0.405	
10302	25.00	20.00	1.60	0.267	
10962	25.00	38.00	2.00	0.524	
16869	25.00	50.00	2.00	0.653	Rounded Corners
12189	30.00	15.00	2.20	0.330	
12062	32.00	20.00	1.50	0.279	
13834	32.00	30.00	2.50	0.587	
11231	30.00	32.00	2.50	0.601	
10740	34.00	20.00	1.50	0.288	
11778	36.00	20.00	1.50	0.296	
14959	36.00	20.00	2.00	0.389	
11389	38.00	20.00	1.50	0.304	
14116	38.00	46.00	3.00	1.004	
10283	40.00	8.000	2.00	0.281	
11484	40.00	20.00	1.00	0.211	
10108	40.00	20.00	1.30	0.272	
16591	40.00	20.00	1.80	0.371	
10048	40.00	20.00	2.00	0.410	
11391	40.00	60.00	4.00	1.642	

* For export, not recommended for GCC usage

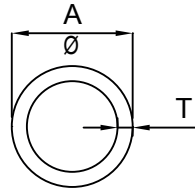
ROUND TUBE



Sec.No.	A (mm)	T (mm)	Wt/m (kg)	Remarks
24383	8.00	1.00	0.059	
20959	12.00	1.50	0.134	
22243	12.70	1.63	0.153	
40134	16.00	1.80	0.217	
27024	16.00	2.00	0.237	
20209	16.00	3.00	0.331	
21410	19.00	1.00	0.153	
27025	19.00	2.00	0.288	
27467	19.00	3.00	0.407	
26663	20.00	2.00	0.306	
20307	20.50	1.30	0.212	
24142	22.00	5.90	0.806	
27156	25.00	1.80	0.354	
20767	25.00	4.00	0.713	
24422	25.00	6.40	1.010	
21288	25.40	1.50	0.304	
21295	25.40	3.00	0.570	
21072	31.80	3.00	0.733	
20715	32.00	3.00	0.738	
20719	33.30	3.00	0.771	
26595	33.50	3.00	0.809	
20723	35.00	5.00	1.272	
21296	38.10	2.80	0.838	
27558	40.00	1.50	0.490	
40200	42.20	3.60	1.179	
27910	42.67	4.83	1.549	
21354	44.50	3.00	1.056	
24160	44.80	1.80	0.657	
22021	48.00	4.00	1.493	
40098	48.20	2.70	1.042	

* For export, not recommended for GCC usage

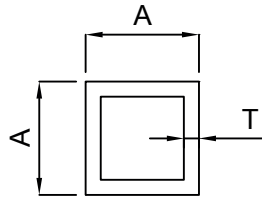
ROUND TUBE



Sec.No.	A (mm)	T (mm)	Wt/m	Remarks
40293	48.26	5.08	1.860	
24161	49.00	1.80	0.721	
26957	50.00	1.70	0.696	
22742	50.00	1.90	0.775	
20499	50.00	2.00	0.814	
27216	50.00	2.20	0.892	
20500	50.00	2.50	1.007	
22743	50.00	2.90	1.159	
27703	50.00	3.00	1.196	
24363	50.80	2.00	0.828	
21074	50.80	3.00	1.216	
20766	53.50	2.00	0.874	
26725	55.00	2.00	0.899	
24364	58.40	2.00	0.957	
20498	60.00	3.00	1.450	
21310	63.50	2.80	1.442	
40089	65.00	2.20	1.172	
23860	70.00	1.50	0.871	
22677	70.50	1.50	0.878	
21297	76.20	2.80	1.743	
22206	76.20	3.25	2.011	
27806	76.20	4.75	2.879	
20765	77.30	2.00	1.277	
23448	80.00	3.00	1.959	
21414	88.90	2.80	2.045	
24738	100.00	10.00	7.634	
21417	101.60	2.80	2.347	
21143	101.60	6.00	4.865	
21144	127.00	6.00	6.158	
26166	150.00	4.00	4.954	

* For export, not recommended for GCC usage

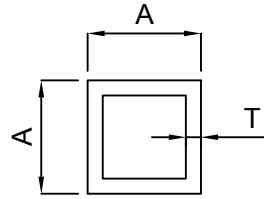
SQUARE TUBE



Sec.No.	A (mm)	A (mm)	T (mm)	Wt/m (kg)	Remarks
21276	12.70	12.70	1.50	0.181	
27598	14.00	14.00	1.20	0.166	
27649	15.00	15.00	2.00	0.281	
27742	15.85	15.85	1.20	0.190	
24230	16.00	16.00	1.00	0.162	
20572	16.00	16.00	1.50	0.235	
24954	16.00	16.00	3.00	0.421	
27688	20.00	20.00	1.25	0.253	
40099	19.00	19.00	1.60	0.300	
26944	20.00	20.00	1.30	0.263	
20046	20.00	20.00	1.50	0.300	
27021	20.00	20.00	1.70	0.335	
22194	20.00	20.00	1.90	0.371	
24957	20.00	20.00	3.00	0.551	
25024	22.00	22.00	1.60	0.352	Rounded Corners
20909	25.00	25.00	1.30	0.333	
22739	25.00	25.00	1.80	0.451	
24893	25.00	25.00	2.00	0.497	
22740	25.00	25.00	2.80	0.671	
27857	25.40	25.40	1.20	0.314	Rounded Corners
40307	25.40	25.40	1.78	0.436	Rounded Corners
21274	25.40	25.40	2.00	0.505	
21289	25.40	25.40	3.00	0.726	
22215	25.40	25.40	3.18	0.762	
20618	26.00	26.00	1.40	0.372	
27073	30.00	30.00	0.90	0.283	
24822	30.00	30.00	1.00	0.314	
20619	30.00	30.00	1.30	0.403	
26945	30.00	30.00	1.35	0.417	
27022	30.00	30.00	1.70	0.519	

* For export, not recommended for GCC usage

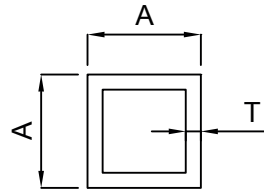
SQUARE TUBE



Sec.No.	A (mm)	A (mm)	T (mm)	Wt/m (kg)	Remarks
22225	30.00	30.00	2.00	0.605	
27455	30.00	30.00	2.80	0.822	
22229	30.00	30.00	3.00	0.875	
21356	31.80	31.80	2.00	0.644	
21415	31.80	31.80	2.80	0.877	
20551	35.00	35.00	1.30	0.473	
27743	38.00	38.00	1.85	0.722	
21298	38.10	38.10	2.00	0.780	
27981	38.10	38.10	2.30	0.889	
21290	38.10	38.10	3.00	1.137	
40035	38.10	38.10	3.10	1.172	
22217	38.10	38.10	3.18	1.198	
26556	39.70	39.70	0.80	0.337	
27039	40.00	40.00	0.70	0.297	
24955	40.00	40.00	0.90	0.380	
21222	40.00	40.00	1.00	0.421	
21040	40.00	40.00	1.10	0.462	
21586	40.00	40.00	1.20	0.503	
20106	40.00	40.00	1.30	0.543	
24956	40.00	40.00	1.40	0.584	
20028	40.00	40.00	1.50	0.624	
26946	40.00	40.00	1.70	0.703	
20386	40.00	40.00	2.00	0.821	
22226	40.00	40.00	3.00	1.199	
22230	40.00	40.00	4.00	1.555	
27565	40.30	40.30	1.10	0.466	
21873	44.50	44.50	2.00	0.918	
20493	44.50	44.50	2.50	1.134	
21510	44.50	44.50	3.00	1.345	
20350	50.00	50.00	1.30	0.684	

* For export, not recommended for GCC usage

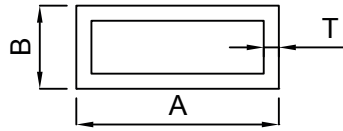
SQUARE TUBE



Sec.No.	A (mm)	A (mm)	T (mm)	Wt/m (kg)	Remarks
26947	50.00	50.00	1.35	0.709	
26965	50.00	50.00	1.70	0.886	
22195	50.00	50.00	1.75	0.912	
20593	50.00	50.00	2.00	1.037	
21994	50.00	50.00	2.80	1.427	
22346	50.00	50.00	3.00	1.523	
22231	50.00	50.00	4.00	1.987	
27744	50.80	50.80	1.91	1.008	
27745	50.80	50.80	2.23	1.170	
27982	50.80	50.80	2.35	1.230	
21291	50.80	50.80	3.00	1.549	
27746	50.80	50.80	3.10	1.597	
40176	50.80	50.80	4.70	2.340	Rounded Corners
21142	50.80	50.80	6.00	2.903	
40294	50.80	50.80	6.35	2.956	Rounded Corners
21438	53.00	53.00	5.00	2.534	Rounded Corners
24951	60.00	60.00	2.00	1.253	
22232	60.00	60.00	3.00	1.847	
22227	60.00	60.00	4.00	2.419	
40034	63.50	63.50	2.05	1.355	Rounded Corners
27896	63.50	63.50	2.35	1.552	Rounded Corners
40041	62.23	62.23	6.35	3.818	Rounded Corners
22355	70.00	70.00	1.60	1.182	
20177	75.00	75.00	1.80	1.423	
24894	75.00	75.00	3.00	2.332	
26749	75.00	75.00	4.80	3.639	
26594	76.00	76.00	7.00	5.217	
40033	76.20	76.20	3.00	2.323	Rounded Corners
21275	76.20	76.20	3.00	2.372	
21386	76.20	76.20	6.00	4.549	

* For export, not recommended for GCC usage

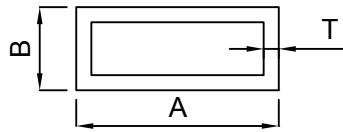
RECTANGULAR TUBE



Sec.No.	A (mm)	B (mm)	T (mm)	Wt/m (kg)	Remarks
27444	20.00	10.00	1.00	0.149	Rounded Corners
20666	20.00	10.00	1.30	0.192	
24895	20.00	10.00	1.50	0.218	
22651	25.00	20.00	2.00	0.443	
20749	27.00	10.00	1.30	0.241	
27018	30.00	15.00	1.50	0.340	
27602	30.00	20.00	1.30	0.333	
22675	32.00	20.00	1.30	0.347	
20880	34.00	21.00	1.50	0.421	
20915	35.00	20.00	1.50&2.00	0.467	Rounded Corners
27747	38.10	15.90	1.20	0.334	
22691	38.10	19.05	3.25	0.889	
22216	38.10	25.40	3.25	1.001	
26699	38.50	20.00	2.00	0.589	
26700	38.50	29.00	2.00	0.686	
24899	40.00	20.00	0.90	0.283	
21581	40.00	20.00	1.00	0.313	
21066	40.00	20.00	1.10	0.343	
20103	40.00	20.00	1.30	0.403	
24243	40.00	20.00	1.50	0.462	
20047	40.00	20.00	1.70	0.520	
20496	40.00	20.00	1.80	0.548	
22234	40.00	20.00	2.00	0.605	
22132	40.00	20.00	3.00	0.875	Rounded Corners
22534	40.00	26.00	3.20	1.030	Rounded Corners
21210	45.00	10.00	1.30	0.368	
26950	50.00	20.00	1.40	0.508	
22767	50.00	20.00	1.50	0.543	
22344	50.00	20.00	1.80	0.645	
22741	50.00	20.00	2.00	0.713	
26951	50.00	25.00	1.40	0.545	

* For export, not recommended for GCC usage

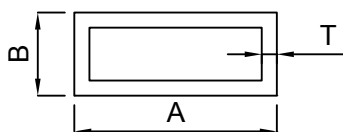
RECTANGULAR TUBE



Sec.No.	A (mm)	B (mm)	T (mm)	Wt/m (kg)	Remarks
22345	50.00	25.00	1.90	0.731	
24950	50.00	25.00	2.00	0.767	
22218	50.00	25.00	3.00	1.118	
25016	50.00	30.00	2.00	0.821	
21141	50.80	25.40	2.00	0.780	
21293	50.80	25.40	2.80	1.067	
26837	54.00	10.00	1.50	0.492	Rounded Corners
26836	54.00	50.00	1.50	0.815	Rounded Corners
20762	60.00	20.00	1.50	0.624	
24898	60.00	20.00	2.00	0.821	
24945	60.00	30.00	1.40	0.659	
20323	60.00	30.00	1.50	0.705	
27454	60.00	30.00	3.00	1.360	
24946	60.00	40.00	1.60	0.836	
20910	60.00	40.00	2.00	1.037	
22235	60.00	40.00	3.00	1.523	
22236	60.00	40.00	4.00	1.987	
24352	60.00	45.00	2.00	1.091	
20990	63.50	53.00	3.00	1.790	
21570	70.00	20.00	1.35	0.641	Rounded Corners
24979	75.00	25.00	2.00	1.037	
27284	75.00	25.00	3.00	1.521	Rounded Corners
22108	75.00	35.00	1.10	0.640	
20546	75.00	35.00	1.30	0.754	
21387	76.20	25.40	2.00	1.054	
27983	76.20	25.40	2.35	1.230	
40175	76.20	25.40	3.20	1.645	
21311	76.20	38.10	2.00	1.191	
21416	76.20	38.10	2.80	1.644	
40295	76.20	50.76	6.35	3.827	Rounded Corners

* For export, not recommended for GCC usage

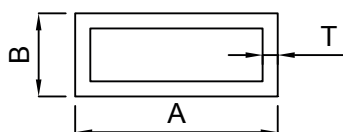
RECTANGULAR TUBE



Sec.No.	A (mm)	B (mm)	T (mm)	Wt/m (kg)	Remarks
21279	76.20	50.80	2.00	1.328	
40201	76.20	50.80	2.40	1.583	Rounded Corners
40306	76.20	50.80	6.35	3.906	Rounded Corners
40036	76.40	50.80	3.05	1.994	
26469	78.00	38.00	0.80	0.494	
26176	78.00	38.00	0.90	0.555	
26765	80.00	15.00	0.67	0.339	
26173	80.00	15.00	0.90	0.453	
20991	80.00	15.00	1.30	0.649	
21796	80.00	20.00	1.10	0.581	
21058	80.00	20.00	1.20	0.632	
20684	80.00	20.00	1.30	0.684	
26952	80.00	20.00	1.35	0.709	
20412	80.00	20.00	1.50	0.786	
24897	80.00	20.00	2.00	1.037	
20763	80.00	25.00	2.00	1.091	
26472	80.00	40.00	0.90	0.575	
22368	80.00	40.00	1.04	0.665	
21129	80.00	40.00	1.10	0.700	
21043	80.00	40.00	1.20	0.762	
26953	80.00	40.00	1.35	0.855	
20306	80.00	40.00	1.50	0.948	
27443	80.00	40.00	1.70	1.070	
20406	80.00	40.00	2.00	1.253	
20045	80.00	40.00	3.00	1.847	
22237	80.00	40.00	4.00	2.419	
24896	80.00	50.00	2.00	1.361	
25015	90.00	50.00	2.00	1.469	
27636	100.00	15.00	0.75	0.460	
21128	100.00	15.00	1.10	0.670	
20757	100.00	15.00	1.30	0.789	

* For export, not recommended for GCC usage

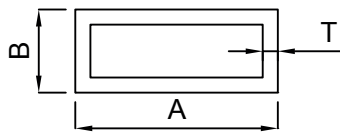
RECTANGULAR TUBE



Sec.No.	A (mm)	B (mm)	T (mm)	Wt/m (kg)	Remarks
21126	100.00	20.00	1.10	0.700	
22393	100.00	20.00	1.04	0.665	
20686	100.00	20.00	1.30	0.824	
26954	100.00	20.00	1.35	0.855	
20409	100.00	20.00	1.50	0.948	
24952	100.00	20.00	1.60	1.009	
20017	100.00	20.00	2.00	1.250	
24953	100.00	20.00	2.00	1.253	
20112	100.00	25.00	3.00	1.928	
24760	100.00	30.00	2.00	1.361	
26850	100.00	30.00	2.50	1.687	
24948	100.00	40.00	1.00	0.745	
21780	100.00	40.00	1.25	0.928	
20685	100.00	40.00	1.30	0.965	
20102	100.00	40.00	1.50	1.110	
22020	100.00	40.00	2.00	1.469	
22602	100.00	40.00	3.00	2.171	Rounded Corners
20016	100.00	45.00	1.80	1.374	
22019	100.00	45.00	2.50	1.890	
20827	100.00	45.00	4.00	2.959	
27252	100.00	50.00	1.00	0.799	
24823	100.00	50.00	1.10	0.879	
26955	100.00	50.00	1.35	1.073	
20305	100.00	50.00	1.50	1.191	
26211	100.00	50.00	1.60	1.268	
26956	100.00	50.00	1.75	1.384	
20852	100.00	50.00	2.00	1.577	
21885	100.00	50.00	2.50	1.958	
21886	100.00	50.00	3.00	2.333	
22347	100.00	50.00	3.50	2.703	
26972	100.00	50.00	4.00	3.067	

* For export, not recommended for GCC usage

RECTANGULAR TUBE



Sec.No.	A (mm)	B (mm)	T (mm)	Wt/m (kg)	Remarks
22632	100.00	50.00	5.00	3.780	
24564	100.00	60.00	2.00	1.685	
24931	100.00	60.00	6.00	4.795	
20495	100.00	70.00	1.65	1.485	
24563	100.00	80.00	2.00	1.901	
20203	100.75	58.45	4.00	3.266	
21277	101.60	25.40	2.00	1.328	
27748	101.60	25.40	2.35	1.552	
40037	101.60	50.80	3.10	2.447	
22213	101.60	50.80	3.18	2.504	
24114	106.00	18.00	1.50	0.980	
24260	110.00	18.00	1.50	1.012	
21656	115.00	75.00	2.50	2.495	
21525	120.00	45.00	2.50	2.160	
25017	122.00	50.00	2.00	1.814	
22469	124.00	35.00	1.80	1.510	
21710	127.00	50.80	2.54	2.369	
21388	127.00	50.80	3.00	2.783	
21715	127.00	76.20	3.00	3.195	
20111	140.00	20.00	2.00	1.685	
27725	140.00	20.00	2.50	2.092	
21131	140.00	40.00	2.00	1.901	
20494	140.00	50.00	2.00	2.009	
27007	150.00	30.00	4.00	3.528	
21925	150.00	50.00	2.00	2.117	
26743	150.00	50.00	3.00	3.143	
24949	150.00	75.00	3.00	3.548	
24980	150.00	100.00	2.00	2.657	
26165	150.00	100.00	3.00	3.953	
26210	150.00	100.00	4.00	5.227	

* For export, not recommended for GCC usage

Standard Profiles

Section No	Page No
10001	83
10002	83
10004	106
10006	15
10007	15
10010	357
10013	311
10014	311
10015	310
10016	303
10021	315
10022	340
10025	226
10026	226
10027	334
10032	106
10049	344
10058	167
10059	166
10060	116
10061	124
10062	112
10063	113
10064	113
10066	122
10067	22
10068	22
10069	92
10075	79
10076	80
10077	106
10079	106
10082	357
10084	113
10087	357
10088	166
10089	167
10095	22
10097	167
10105	31
10107	31
10119	356
10120	357
10123	288
10124	288

Section No	Page No
10138	357
10139	227
10140	231
10142	231
10150	321
10155	316
10163	311
10168	52
10169	52
10171	220
10172	220
10213	315
10223	222
10235	124
10237	340
10245	168
10246	310
10248	315
10275	23
10276	23
10288	295
10295	106
10299	82
10300	80
10306	45
10307	311
10330	277
10343	310
10344	310
10345	166
10356	78
10359	78
10362	277
10366	226
10367	113
10371	316
10376	125
10391	16
10398	116
10414	168
10424	17
10429	288
10431	288
10434	106
10457	48

Section No	Page No
10459	48
10505	47
10506	47
10519	120
10525	49
10590	356
10627	357
10632	9
10633	9
10653	345
10665	357
10668	344
10697	125
10738	121
10743	227
10797	118
10903	298
10977	307
10978	311
10980	310
11051	295
11052	284
11053	118
11075	113
11084	121
11102	166
11103	361
11108	317
11115	358
11138	357
11148	311
11149	336
11179	340
11182	336
11205	26
11206	26
11210	11
11211	33
11212	33
11216	168
11217	222
11218	222
11219	222
11221	298
11223	171

* For export, not recommended for GCC usage

Standard Profiles

Section No	Page No
12093	356
12150	180
12151	107
12165	171
12189	344
12190	344
12193	344
12197	344
12202	344
12214	222
12217	344
12218	345
12231	119
12239	180
12299	344
12332	344
12335	345
12384	358
12388	114
12408	107
12421	29
12422	29
12436	123
12437	114
12440	11
12501	37
12502	123
12526	167
12527	168
12566	116
12579	345
12592	168
12602	357
12603	128
12624	315
12687	105
12688	105
12793	336
12882	126
12883	58
12884	114
12921	28
12922	28
12985	319
12993	320

Section No	Page No
13026	337
13081	316
13135	314
13138	318
13607	319
13924	316
14063	97
14064	97
14067	96
14068	96
14091	99
14092	99
14104	361
14105	357
14153	276
14154	276
14173	125
14174	167
14175	33
14176	33
14177	112
14239	282
14266	106
14267	68
14365	181
14366	222
14367	222
14368	222
14369	222
14372	295
14373	318
14470	11
14471	11
14521	334
14522	334
14523	334
14584	337
14585	337
14587	336
14590	314
14592	356
14626	168
14646	284
14647	282
14648	282

Section No	Page No
14649	277
14650	276
14651	276
14683	314
14687	276
14688	276
14689	282
14719	276
14720	357
14721	356
14722	311
14729	317
14760	337
14887	227
14970	222
16031	354
16032	354
16033	353
16126	167
16143	166
16182	283
16337	363
16338	363
16339	363
16341	166
16346	24
16347	24
16371	166
16438	315
16470	289
16471	289
16472	290
16473	291
16589	314
16596	288
16597	288
16600	361
16621	358
16624	362
16627	168
16628	166
16643	168
16644	168
16645	292
16682	168

* For export, not recommended for GCC usage

Standard Profiles

Section No	Page No
16700	361
16753	171
16756	358
16780	315
16781	168
16785	168
16910	128
16911	362
16949	358
17166	320
17294	357
17295	357
17300	316
17358	316
17372	281
17385	365
17386	365
17387	281
17435	300
17466	281
17492	357
20001	95
20002	95
20003	95
20004	104
20007	18
20008	19
20009	192
20012	224
20013	224
20014	312
20018	224
20019	224
20021	102
20035	18
20038	34
20039	34
20040	37
20041	34
20042	34
20044	104
20049	309
20052	158
20053	158
20054	150

Section No	Page No
20055	161
20056	165
20057	141
20058	147
20059	163
20060	165
20061	142
20062	142
20063	148
20064	34
20065	21
20066	34
20067	100
20069	305
20070	57
20071	57
20072	92
20073	88
20075	104
20076	103
20077	224
20078	224
20079	159
20080	139
20081	114
20083	100
20095	12
20101	312
20104	312
20117	274
20120	115
20122	231
20127	231
20129	231
20145	100
20146	19
20157	101
20165	101
20166	100
20185	164
20192	310
20220	102
20232	165
20242	228
20243	142

Section No	Page No
20274	332
20280	310
20282	12
20284	12
20287	12
20289	17
20290	17
20291	17
20296	51
20297	82
20298	79
20299	84
20300	92
20301	84
20304	103
20308	134
20310	130
20311	152
20312	139
20313	45
20314	50
20315	51
20316	50
20318	306
20336	103
20347	225
20352	360
20374	103
20375	84
20376	84
20377	92
20379	104
20383	133
20384	154
20391	18
20393	19
20394	100
20399	225
20400	225
20401	220
20405	332
20433	25
20434	25
20435	19
20465	88

* For export, not recommended for GCC usage

Standard Profiles

Section No	Page No
20492	331
20511	332
20527	35
20529	100
20531	151
20532	160
20533	149
20534	159
20585	144
20586	164
20588	43
20589	43
20590	51
20591	50
20592	50
20621	312
20627	356
20650	9
20651	9
20652	9
20653	303
20678	225
20679	309
20681	225
20716	331
20720	286
20721	273
20732	46
20733	46
20760	148
20771	149
20821	274
20824	148
20825	155
20826	157
20861	359
20879	308
20880	310
20929	309
20960	294
20962	211
20963	212
20992	130
21026	155
21027	132

Section No	Page No
21028	161
21029	101
21039	102
21041	327
21042	328
21047	160
21055	87
21056	21
21064	328
21067	102
21076	332
21082	309
21083	157
21097	160
21108	103
21111	139
21124	329
21127	37
21132	149
21133	162
21140	275
21150	115
21162	328
21164	11
21165	10
21170	10
21171	170
21172	174
21173	195
21174	186
21175	188
21177	210
21178	198
21179	191
21180	201
21181	207
21182	327
21192	329
21195	328
21211	329
21216	341
21221	18
21252	150
21373	154
21447	309

Section No	Page No
21459	143
21497	341
21498	228
21515	327
21517	328
21518	329
21519	329
21521	93
21548	283
21556	102
21557	285
21558	273
21579	282
21580	89
21599	102
21601	256
21602	285
21603	262
21611	287
21612	287
21633	19
21643	102
21649	35
21669	257
21670	265
21680	260
21681	273
21691	253
21709	262
21730	267
21731	283
21757	165
21763	115
21770	340
21773	139
21779	37
21781	147
21785	159
21786	149
21787	305
21789	100
21792	12
21865	204
21887	339
21888	341

* For export, not recommended for GCC usage

Standard Profiles

Section No	Page No
21896	51
21914	138
21924	203
21944	172
21945	177
21946	199
21947	201
21957	112
21983	331
21988	235
21996	364
21997	364
22012	210
22013	201
22014	199
22025	163
22076	18
22077	20
22096	330
22129	89
22131	158
22159	103
22170	283
22180	150
22181	160
22182	309
22183	35
22184	103
22185	146
22188	158
22189	149
22202	18
22208	11
22251	307
22284	151
22336	169
22357	178
22362	339
22373	328
22376	329
22377	115
22379	93
22380	20
22383	20
22384	228

Section No	Page No
22389	329
22390	330
22391	327
22392	329
22394	329
22395	331
22396	330
22404	214
22405	192
22406	211
22408	211
22409	193
22417	169
22523	63
22524	94
22525	63
22526	94
22527	95
22528	95
22529	68
22530	103
22561	330
22562	330
22562	331
22616	179
22631	323
22634	312
22655	93
22735	101
22736	58
22737	58
22738	57
22836	322
22856	92
22857	85
22858	85
22859	88
22862	307
22971	308
23081	138
23418	104
23556	150
23557	160
23558	339
23700	327

Section No	Page No
23702	331
23901	322
23939	323
23946	323
24097	322
24103	252
24104	252
24132	179
24133	178
24200	25
24201	19
24202	25
24238	323
24245	286
24246	286
24255	259
24256	266
24290	252
24291	252
24301	278
24325	361
24325	361
24334	161
24339	359
24340	327
24341	312
24342	339
24442	61
24443	66
24444	66
24445	104
24446	67
24484	193
24485	191
24486	199
24487	198
24488	205
24489	174
24490	235
24491	177
24492	207
24551	360
24587	341
24621	12
24622	12

* For export, not recommended for GCC usage

Standard Profiles

Section No	Page No
24623	12
24624	100
24627	92
24628	84
24629	84
24630	88
24730	339
24810	328
24811	327
24812	331
24813	327
24824	330
24825	328
24873	228
24874	228
24988	278
26023	303
26024	306
26025	332
26026	309
26027	330
26028	330
26115	327
26116	328
26151	356
26177	312
26222	267
26223	249
26300	268
26341	331
26362	331
26363	332
26386	225
26413	265
26414	248
26434	206
26439	329
26440	341
26461	341
26462	339
26471	325
26528	347
26538	350
26539	349
26540	351

Section No	Page No
26541	352
26542	351
26543	353
26544	353
26545	353
26546	353
26547	351
26548	352
26549	348
26550	347
26560	351
26565	91
26566	91
26599	91
26600	92
26730	100
26856	147
26857	364
26858	364
26865	185
26866	189
26961	305
27053	339
27070	217
27071	191
27072	217
27144	229
27145	229
27146	239
27147	240
27148	239
27149	239
27150	239
27151	236
27157	37
27158	25
27159	25
27160	251
27161	165
27174	102
27217	363
27224	185
27234	363
27238	59
27239	59

Section No	Page No
27246	297
27256	297
27257	297
27285	342
27298	341
27299	341
27308	363
27384	325
27393	329
27450	275
27492	360
27493	294
27494	299
27495	298
27496	324
27497	237
27498	298
27518	358
27519	232
27536	359
27537	359
27559	359
27568	42
27569	42
27581	171
27603	236
27604	237
27668	358
27685	341
27726	145
27727	145
27757	331
27758	324
27814	299
40022	36
40039	305
40040	51
40066	296
40243	365
40263	301
40264	281
40265	281
40266	301
40309	340
40353	300

* For export, not recommended for GCC usage

Standard Profiles

Section No	Page No
40368	365
40369	365
40373	342
40453	300
40525	342
40540	342
40541	342
40542	365
40576	60
50002	50
50003	51
50004	50
50005	100
50006	19
50009	87
50010	35
50011	20
50013	44
50014	44
50015	93
50017	20
50018	103
50021	35
50022	21
50023	37
50024	61
50025	62
50026	62
50027	66
50028	66
50029	67
50030	64
50031	64
50032	101
50033	20
50034	66
50035	67
50036	66
50037	103
50038	58
50039	58
50040	35
50041	102
50047	102
50051	100

Section No	Page No
50054	87
50054	95
50056	89
50058	109
50059	109
50060	101
50061	86
50062	86
50063	108
50065	87
50067	49
50069	69
50075	109
50076	101
50077	100
50078	89
50080	86
50081	86
50082	86
50083	86
50084	81
50085	81
50086	59
50087	70
50088	85
50089	85
50090	70
50091	77
50092	59
50093	69
50094	39
50095	71
50096	102
50097	36
50098	39
50099	38
50100	36
50101	39
50102	71
50103	71
50104	56
50104	77
50105	39
50106	36
50107	38

Section No	Page No
50108	56
50108	78
50109	38
50110	101
50112	72
50113	38
50114	72
50115	73
50116	39
50117	73
50118	38
50119	98
50120	55
50121	55
50122	40
50123	36
50124	40
50125	102
50126	74
50127	65
50128	65
50129	40
50130	42
50131	57
50132	104
50133	59
50134	41
50135	41
50136	74
50138	75
50139	75
50140	41
50141	54
50142	41
50143	54
50144	54
50145	76
50146	76
50147	76
50148	85
50149	41
50150	41
55001	27
55002	27
55005	93

* For export, not recommended for GCC usage

Standard Profiles

Section No	Page No
55006	14
55007	14
55008	13
55009	13
55010	18
55011	68
55011	88
55012	106
55013	106
55014	106
55015	107
55016	105
55017	88
55018	68
55027	30
55028	30
55030	110
55032	90
55033	108
55034	90
55035	90
55036	110
55037	108
55038	90
55040	106
55044	93
55045	90
55046	90
55048	89
55049	110
55051	90
55052	110
55053	363
55054	32
55055	32
55056	40
55057	40
55058	358
55059	358
55060	40
55061	42
55063	59
60008	146
60009	138
60011	133

Section No	Page No
60012	143
60013	156
60014	162
60015	146
60016	156
60017	135
60018	134
60019	132
60020	200
60021	141
60022	135
60023	139
60024	159
60025	158
60026	140
60027	140
60028	115
60029	138
60030	152
60032	140
60034	129
60035	129
60036	115
60037	158
60038	140
60040	169
60041	169
60042	176
60043	176
60044	175
60045	188
60047	186
60048	191
60049	193
60050	198
60051	200
60052	204
60053	203
60054	194
60055	207
60056	210
60057	210
60058	149
60059	159
60060	151

Section No	Page No
60061	160
60062	138
60063	151
60064	161
60065	163
60066	137
60069	187
60078	173
60080	197
60081	173
60082	184
60084	175
60085	200
60087	190
60089	214
60090	213
60095	138
60096	189
60098	240
60099	240
60100	206
60101	202
60102	190
60103	213
60104	214
60105	191
60108	60
60109	214
60110	213
60113	202
60117	196
60119	202
60121	196
60122	197
60123	197
60124	196
60125	183
60129	212
60131	203
60132	194
60133	153
60136	162
60138	153
60139	129
60140	232

* For export, not recommended for GCC usage

Standard Profiles

Section No	Page No
60141	60
60142	215
60143	215
60144	211
60145	212
60146	91
60147	91
60148	215
60149	215
60150	164
60151	140
60152	140
60153	144
60154	187
60155	191
60156	211
60157	194
60158	242
60159	161
60160	218
60161	172
60162	195
60163	133
60164	157
60165	206
60165	208
60166	205
60167	195
60170	234
60171	209
60172	216
60173	233
60174	233
60175	192
60176	192
60177	212
60178	242
60179	218
60180	219
60181	219
60182	241
60183	242
60184	230
60185	241
60186	241

Section No	Page No
60187	234
60188	204
60189	141
60189	217
60190	192
60191	170
60192	170
60192	216
60193	182
60194	219
60195	170
60195	216
60196	208
60197	192
60198	219
60199	213
60200	216
60201	136
60202	136
60203	238
60204	218
60206	139
60207	209
60208	218
60209	238
60210	141
60211	141
60213	161
60214	235
60215	131
60216	131
65001	126
65002	126
65003	120
65004	113
65005	167
65005	167
65006	119
65007	166
65009	356
65010	112
65011	167
65012	166
65013	167
65017	167

Section No	Page No
65021	183
65022	112
65023	127
65033	123
65034	112
65037	166
65040	166
65041	221
65042	117
65043	221
65044	221
65045	362
65047	117
65048	166
65049	358
65050	362
65051	362
65052	128
65053	182
65054	227
65055	223
65056	223
65057	223
65058	171
65059	223
65060	114
65061	114
65062	223
65063	356
65064	223
65065	223
65066	137
65067	223
70001	271
70002	279
70003	269
70004	268
70005	251
70006	251
70007	269
70009	247
70010	279
70010	280
70011	268
70012	269

* For export, not recommended for GCC usage



**NATIONAL ALUMINIUM
PRODUCTS COMPANY SAOG**

OMAN

Corporate Office and Factory
National Aluminum Products Co.
PO Box 15, Rusayl, PC 124, Sultanate of Oman
Phone: +968 24446450, Fax: +968-24446453
Email: sales@napco.co.om, info@napco.co.om

UAE

National Aluminum Products Co. - Branch Office
PO Box 116912, Dubai,
Office 34, Shuraa Business Center
6C Al Abraj St, Business Bay, 29th floor-Prime Tower-Dubai
Phone: +971 045236200

INDIA

NAPCO Extrusions India LLP
4 , Odyssey IT Park,
Road No. 9, Wagle Industrial Estate,
Thane (West) - 400604.
Phone: +91 2220814444

www.napcooman.com