



NATIONAL ALUMINIUM
PRODUCTS COMPANY SAOG

N27 Catalogue



12 - 2020 - V.01

All rights reserved.

No part of this publication may be reproduced, stored in a retrieval system or transmitted in any form or by any means electronic, mechanical, photocopying, recording or otherwise, without prior permission of NAPCO.





Index

Company Profile	05
Technical Information	06
N 27 Series	08



About Us

National Aluminium Products Company SAOG (NAPCO) was established in 1984 and is one of the leading extruders of aluminium profiles in the GCC market. Located in the Sultanate of Oman, the manufacturing plant is spread over 65,000 sq meters in the Rusayl Industrial estate.

NAPCO offers a wide range of Aluminium profile extrusions in finishes that suit functional modern design specifications. The company has left its mark on the architectural landscape of the Middle East with its renowned quality products being used in a number of prominent structures.

Our annual production capacity is 42,000 MT with four (4) state of the art presses. The extrusion presses are complemented by one anodizing line and two powder coating lines (vertical & horizontal). NAPCO also houses two wood finish lines and a crimping and bending facility.

NAPCO's commitment to quality has made it the first extrusion company in the Gulf to receive ISO certifications. We are also the only public limited aluminium extrusion company in the entire GCC.

With a consistent focus on innovative production skills and high service standards, we will continue our objective to meet customer demands and expectations.

Technical Information on Aluminium extrusions supplied by NAPCO

A. Equipment & Capacity

Extrusion Press: 4

2000 MT (8') SMS Germany

2800 MT (9') Danieli Breda, Italy

1800 MT (7') Tecalex, Spain

1800 MT (7') Tecalex, Spain

Powder Coating Plant: 2

Horizontal Type, Ercon, UK

Vertical Type, Trasmetal, Italy

Anodizing Line: 1

SAS, Germany

Wood Finish: 2 NATURALL, Italy.

Crimping & Bending Facility.

• Current Capacity Per Annum

Extrusion: 42,000

Powder Coating: 27,000

Anodizing: 2,400

Wood Finish: 1,500

B. General Specification

Max profile size CCD 305mm

(*indicative size)

C. Product Range

NAPCO offers a range of over 6000 profiles to suit the architectural and manufacturing industry. NAPCO also develops exclusive dies for customers against their own designs.

• Aluminium extrusions in:

Mill Finish

Anodized

Powder Coated and Natural Wood Finish

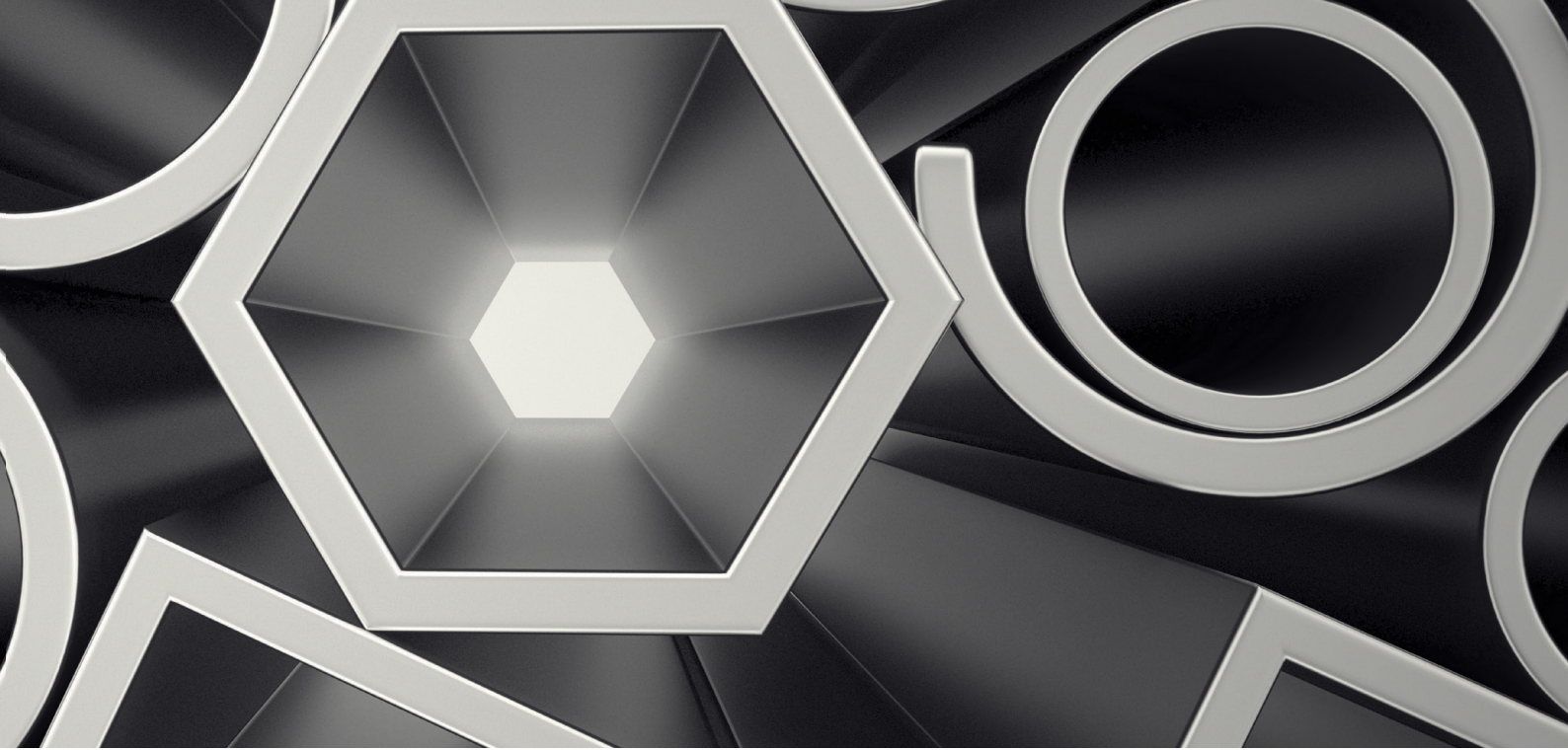
• Façade Systems:

NAPCO is in partnership with world renowned façade system houses in the GCC. Please contact us to discuss your best-fit solution.

D. Anodizing

NAPCO has one anodizing line employing sulphuric acid anodizing process offering a wide range of colour shades such as Silver, Bronze and Black with scope of development of other shades to suit customer requirements.

Specifications: DC Sulphuric Acid Anodizin
As per EN 1 - 12373 and BS 1991 3987
Qualanod Approved



E: Powder Coating

NAPCO has two powder coating lines (horizontal & Vertical) with IR curing ovens. The colour coat thickness in exposed areas is Around 80-60 microns. The new vertical line is able to accommodate profile lengths up to 8 meters.

Qualicoat Approved.

Natural finish is available in seven combinations of Wood patterns.

Specification: As per 6496

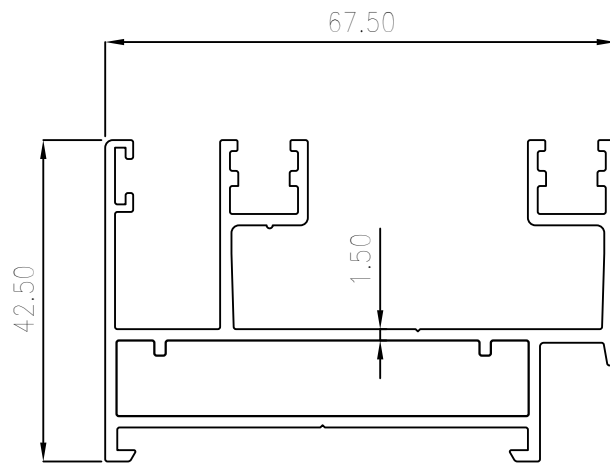
F. Certifications



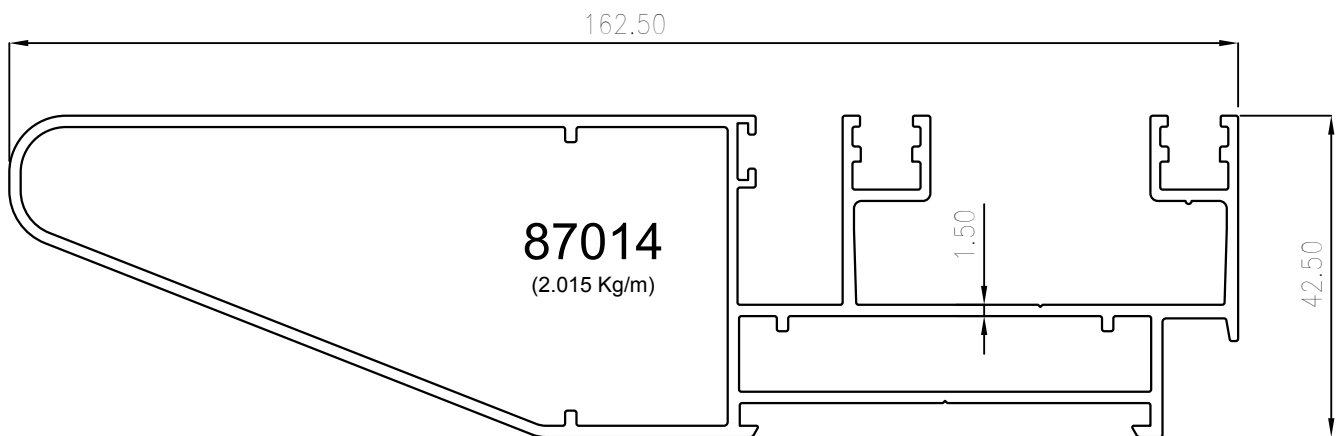
N27 SERIES



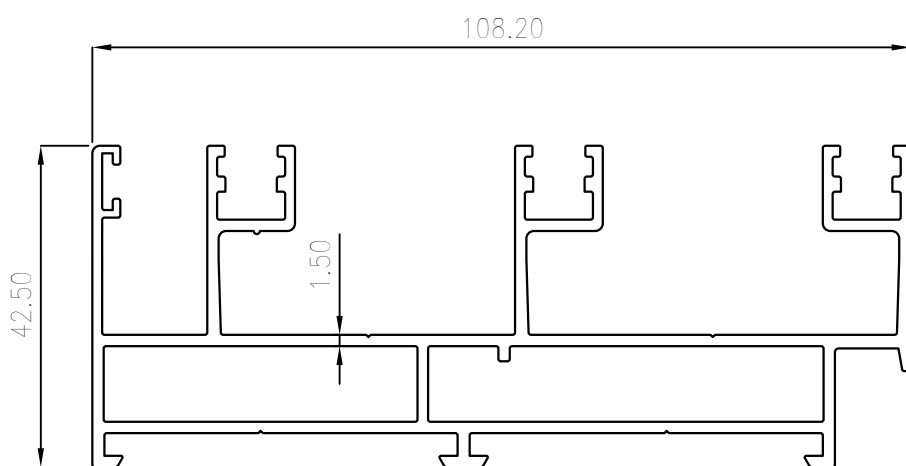
N27 SERIES



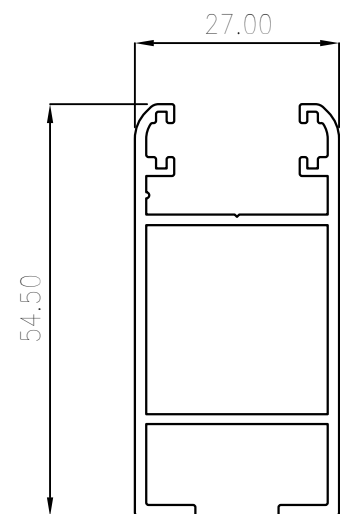
87013
(1.176 Kg/m)



87014
(2.015 Kg/m)

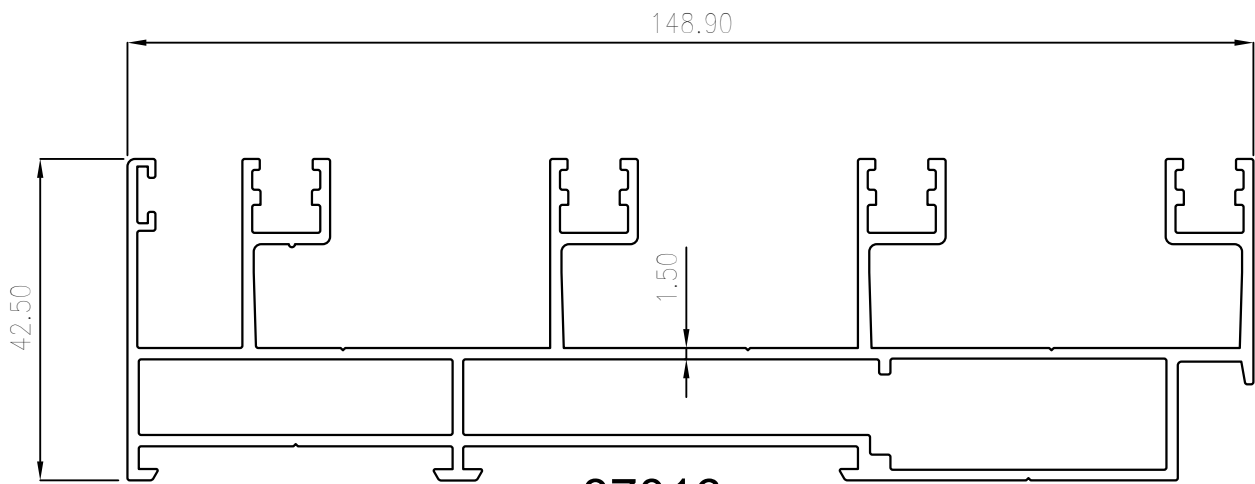


87015
(1.767 Kg/m)

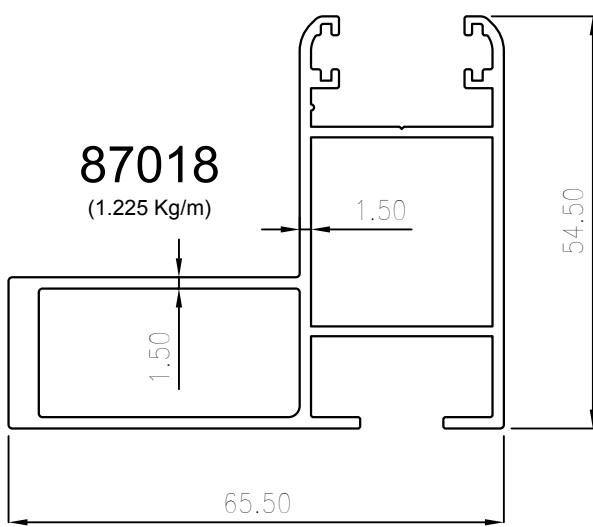


87017
(0.728 Kg/m)

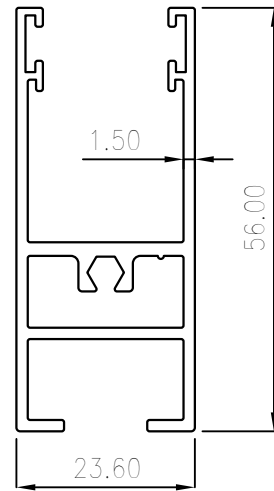
N27 SERIES



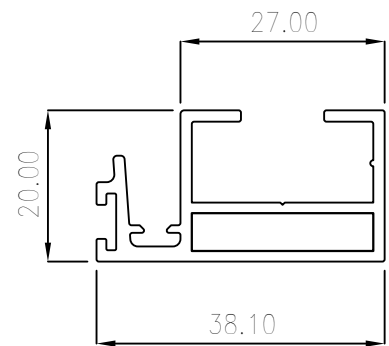
87016
(2.301 Kg/m)



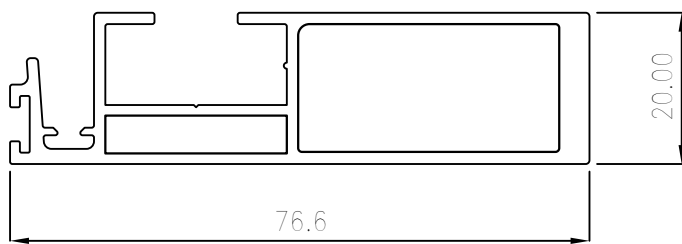
87018
(1.225 Kg/m)



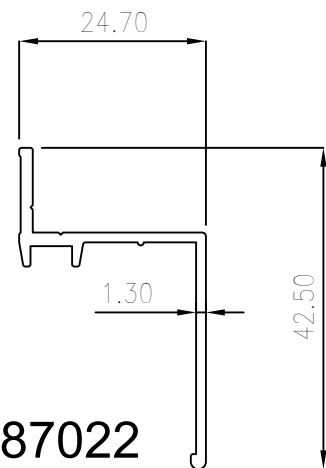
87019
(0.757 Kg/m)



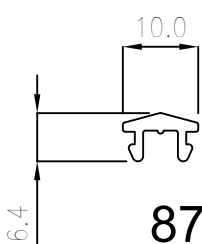
87020
(0.535 Kg/m)



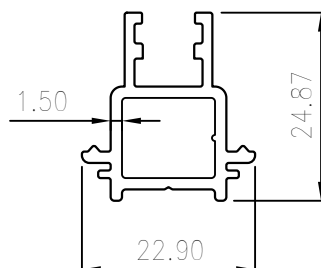
87021
(1.042 Kg/m)



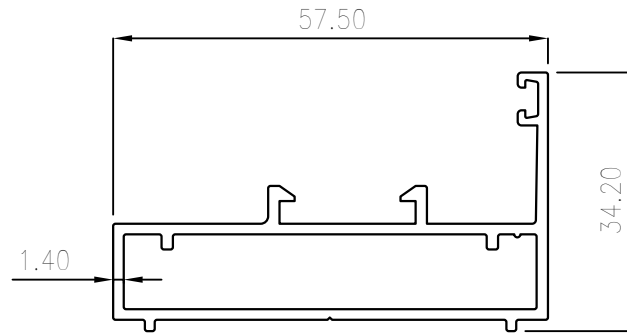
87022
(0.271 Kg/m)



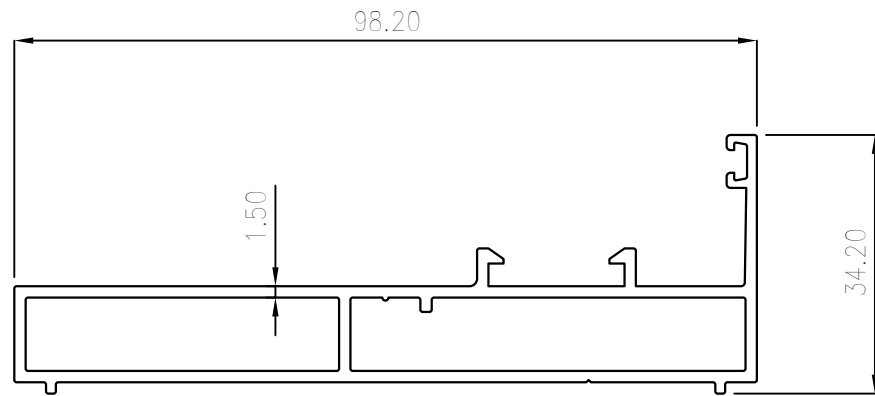
87023
(0.076 Kg/m)



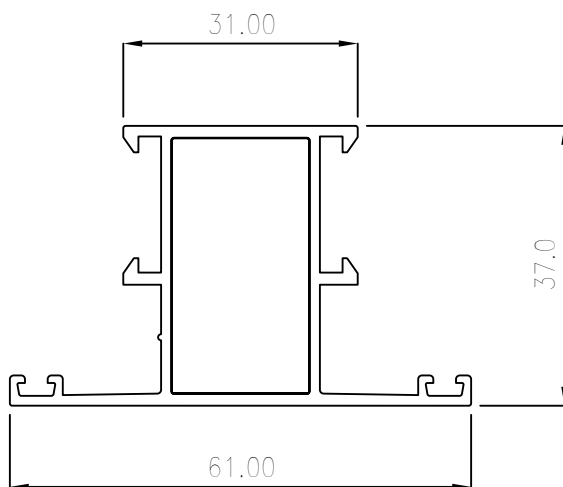
87024
(0.350 Kg/m)



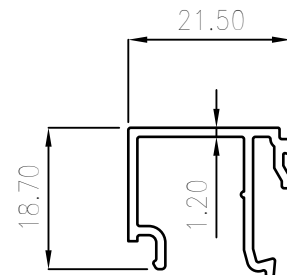
87025
(0.692 Kg/m)



87026
(1.085 Kg/m)

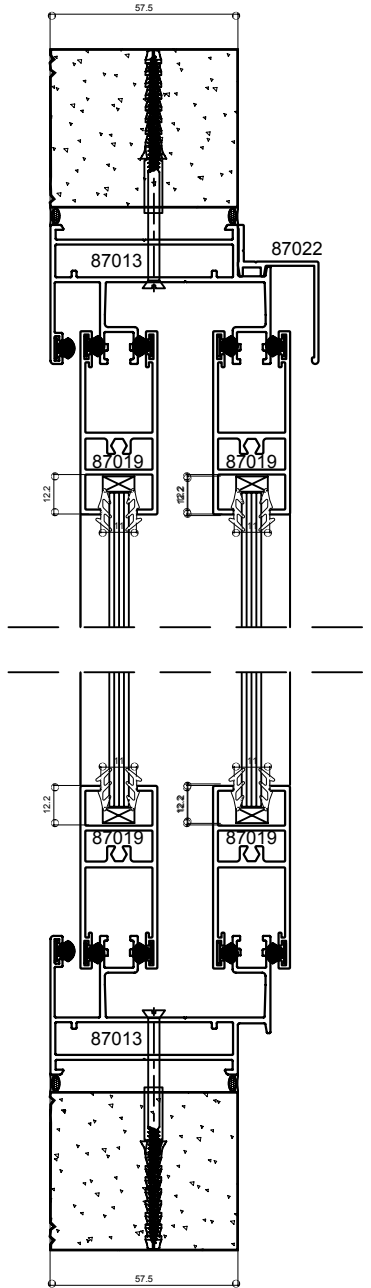
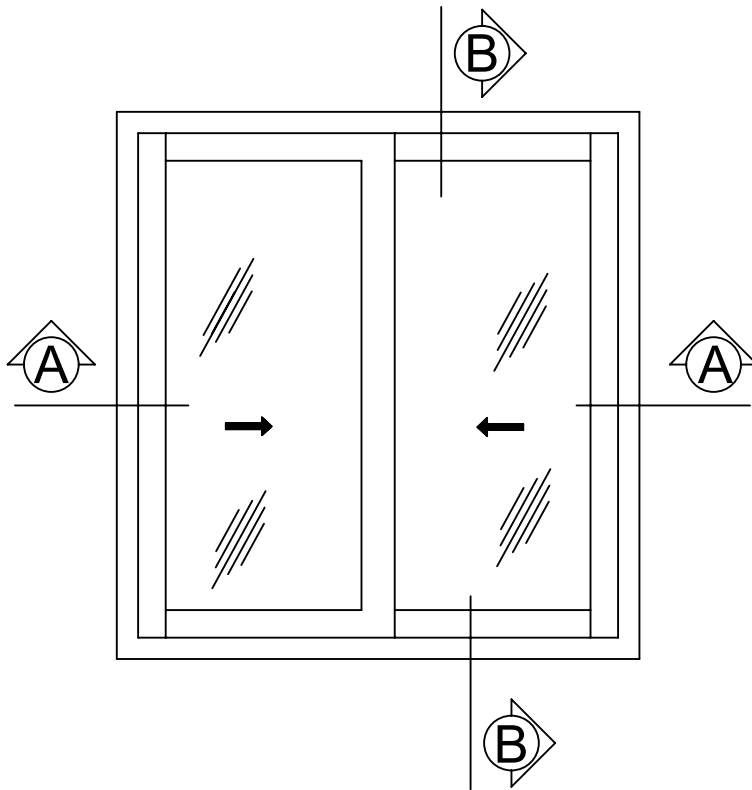


87027
(0.743 Kg/m)

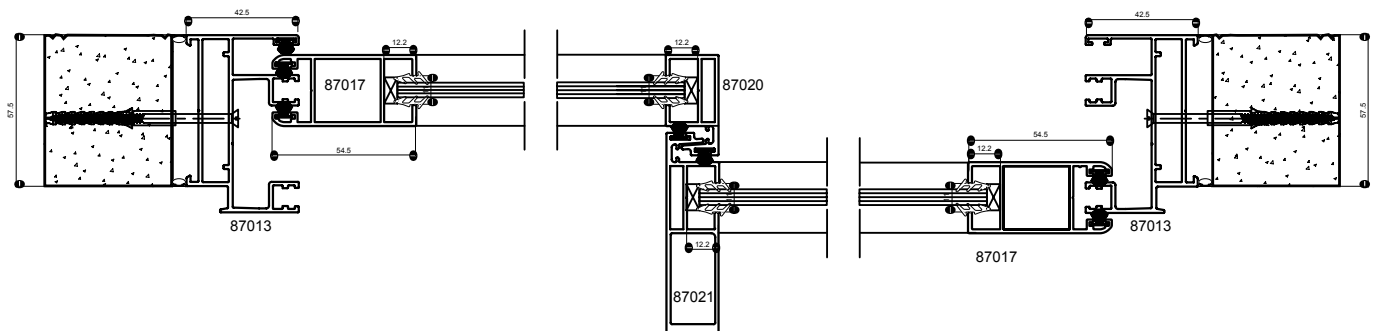


87028
(0.231 Kg/m)

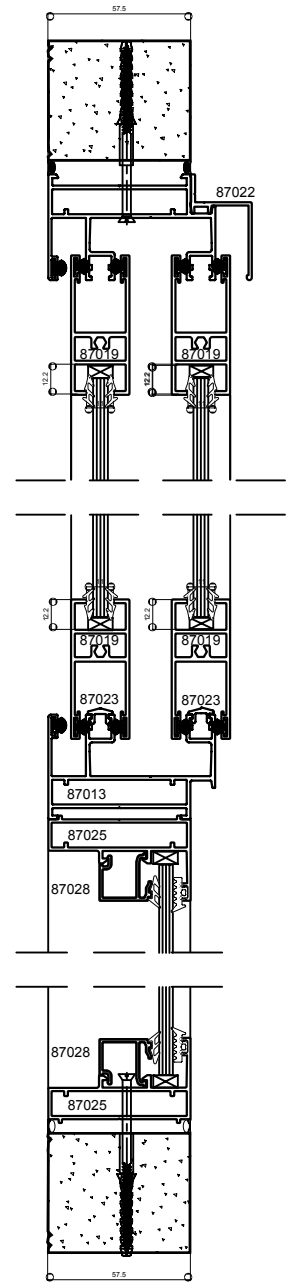
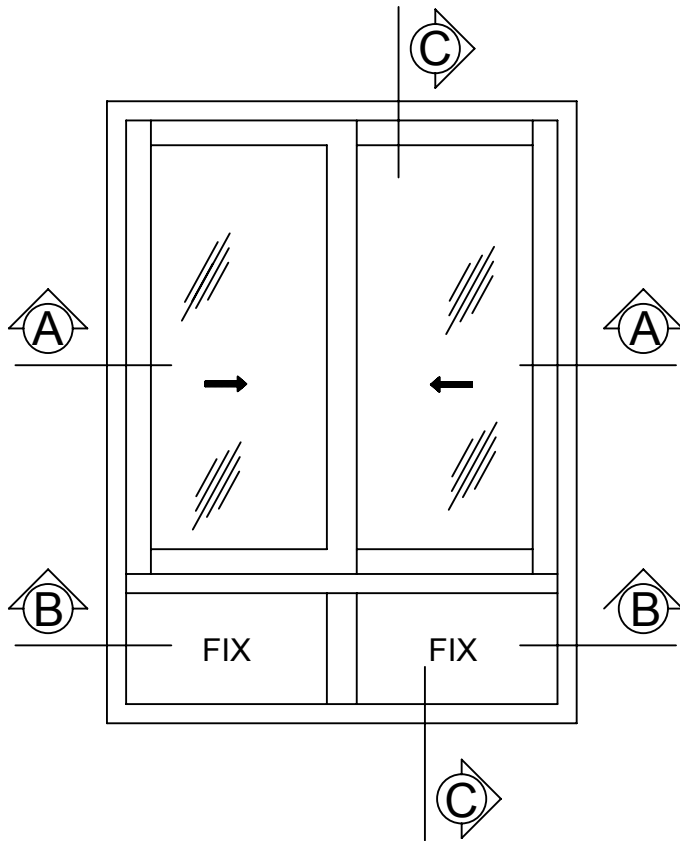
Cross Section



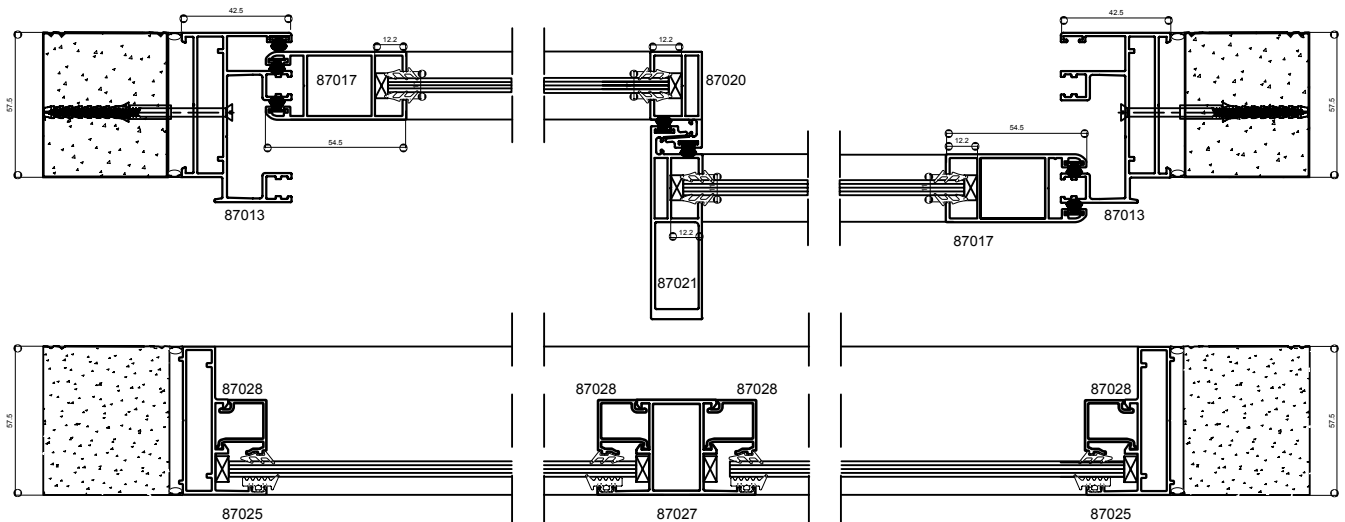
PROFILES		
Description	Shape	Section No.
Frame		87013
Frame		87022
Sash		87017
Sash		87019
Interlock		87020
Interlock		87021
Adaptor		87023



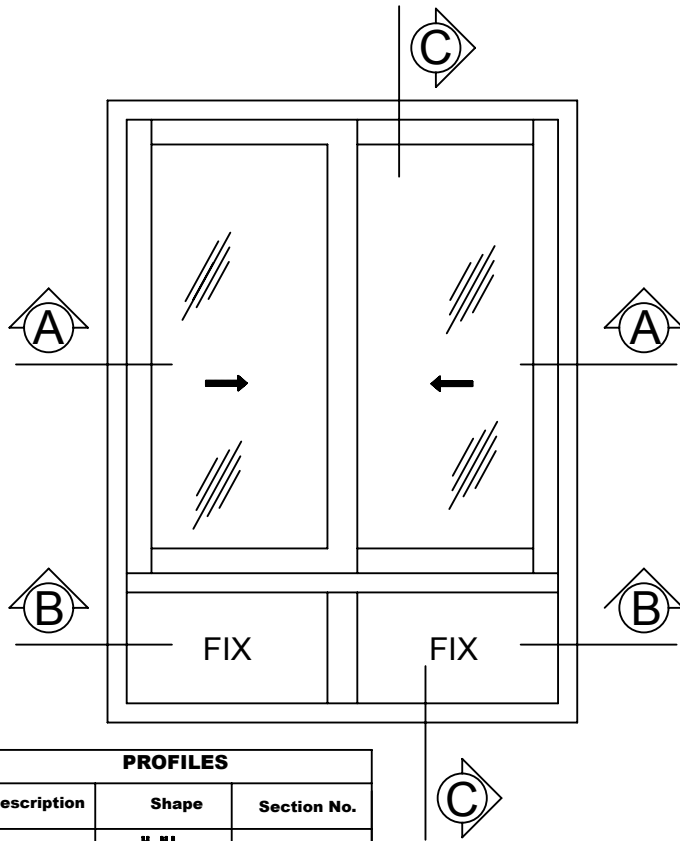
Cross Section



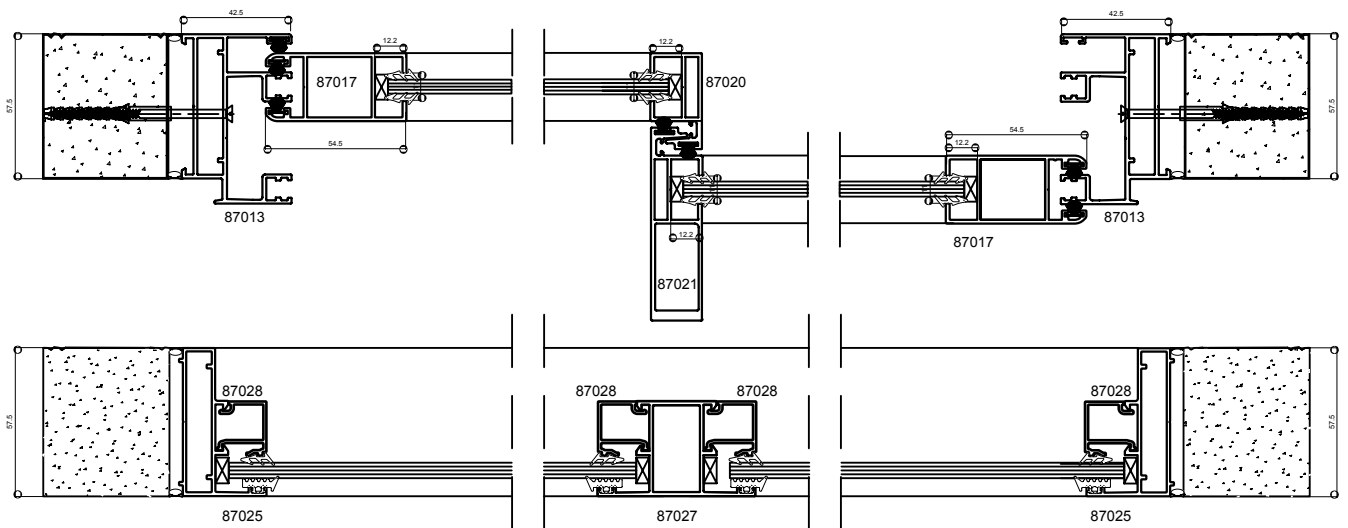
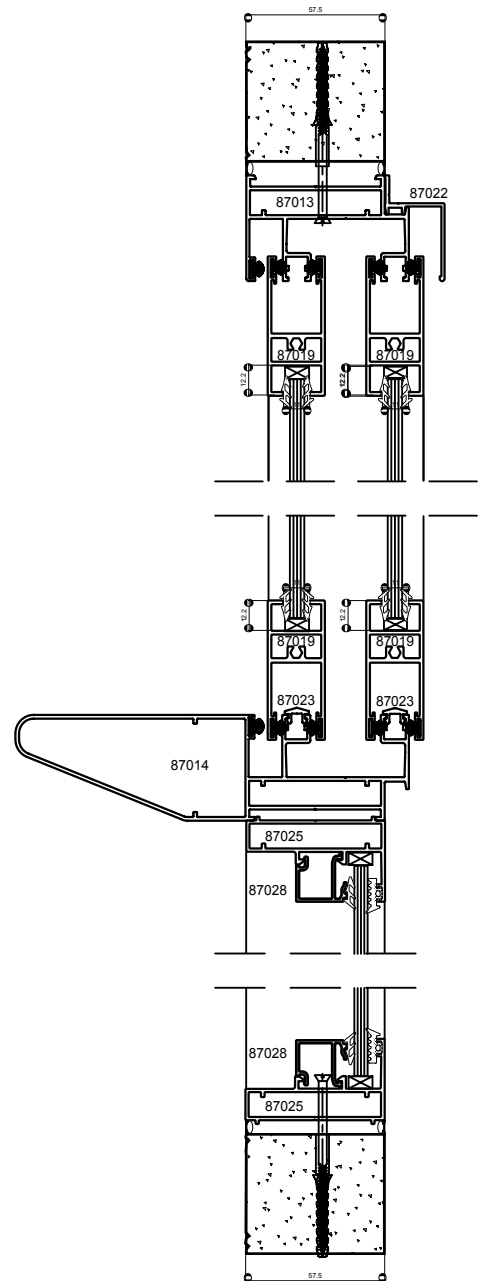
PROFILES		
Description	Shape	Section No.
Frame		87013
Frame		87028
T Profile		87027
Sash		87017
Sash		87019
Interlock		87020
Interlock		87021
Glazing Bead		87028
Adaptor		87023



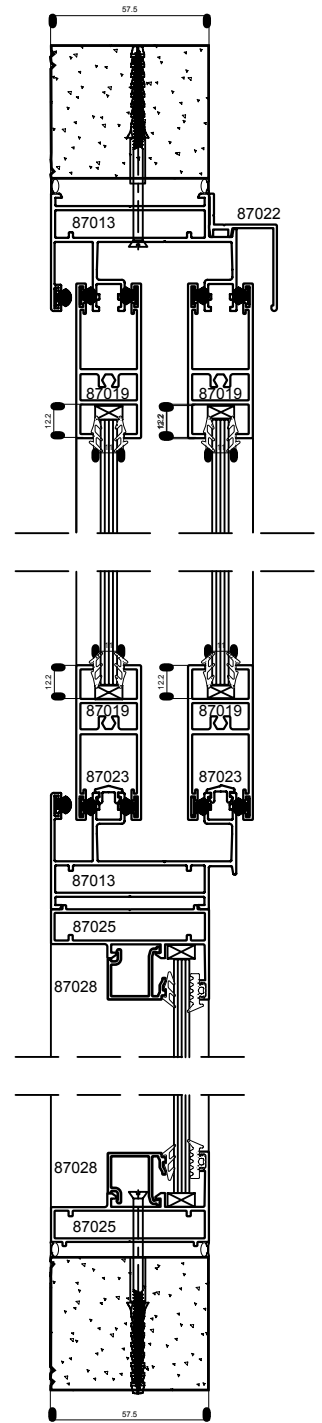
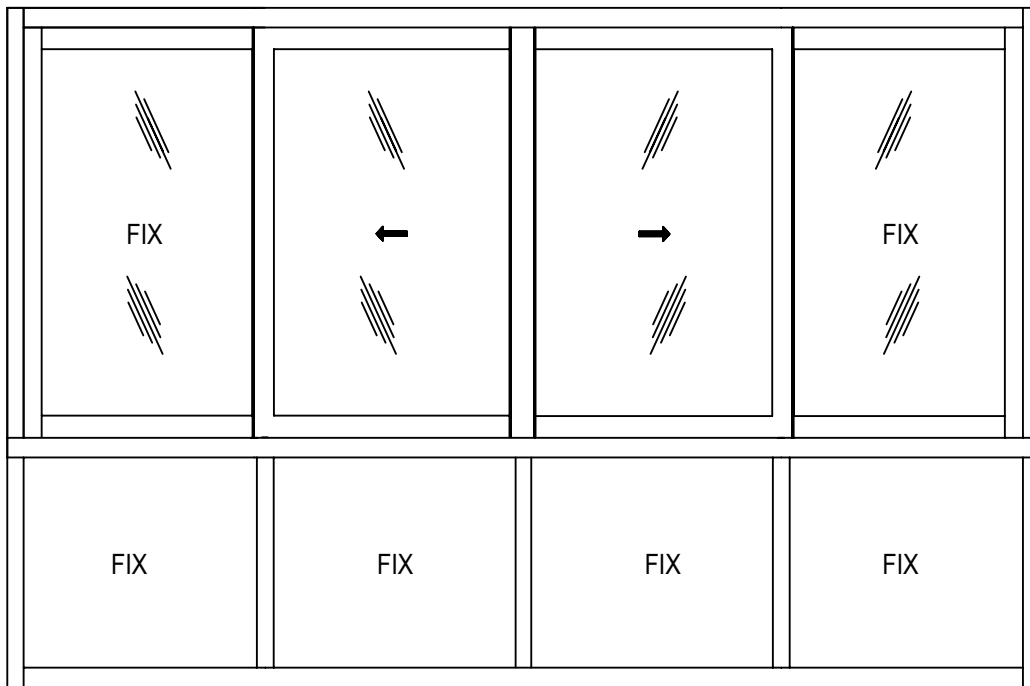
Cross Section



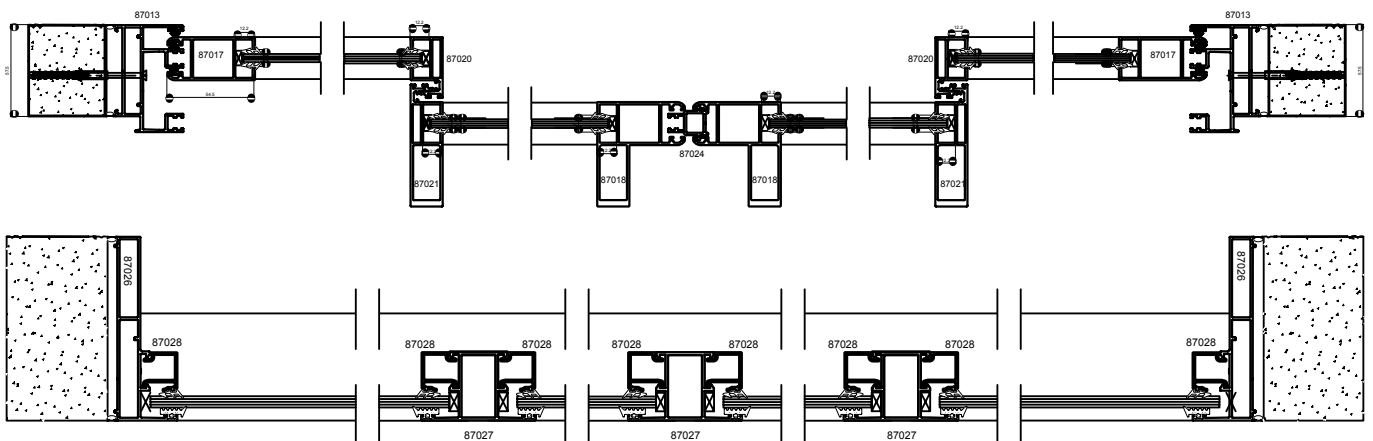
PROFILES		
Description	Shape	Section No.
Frame		87013
Frame		87014
Frame		87028
T Profile		87027
Sash		87017
Sash		87019
Interlock		87020
Interlock		87021
Glazing Bead		87028
Adaptor		87023



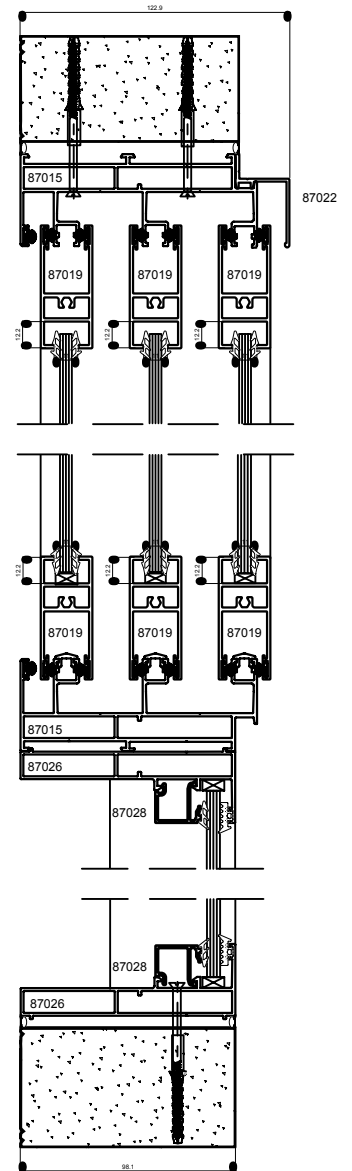
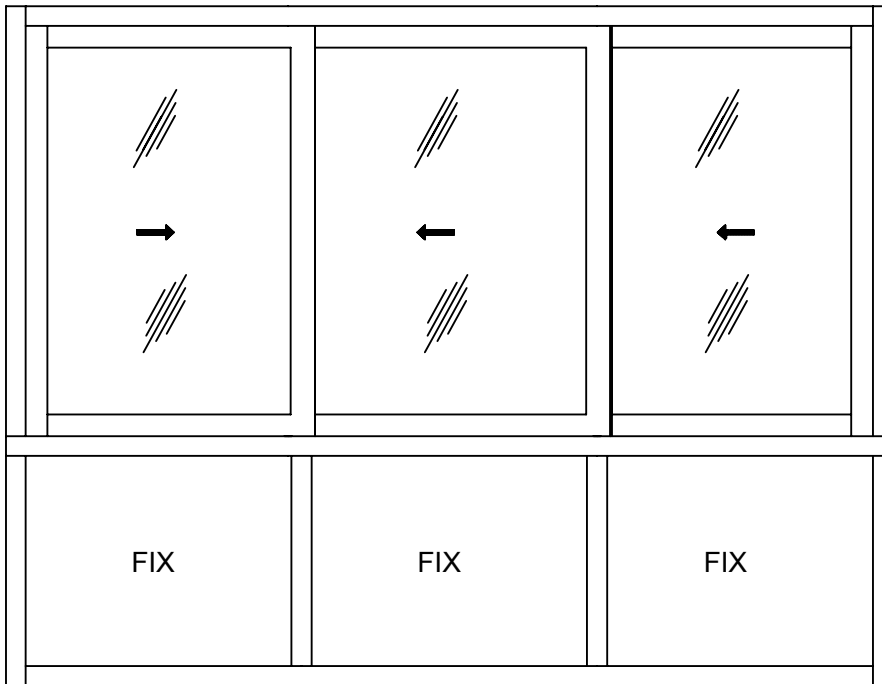
Cross Section



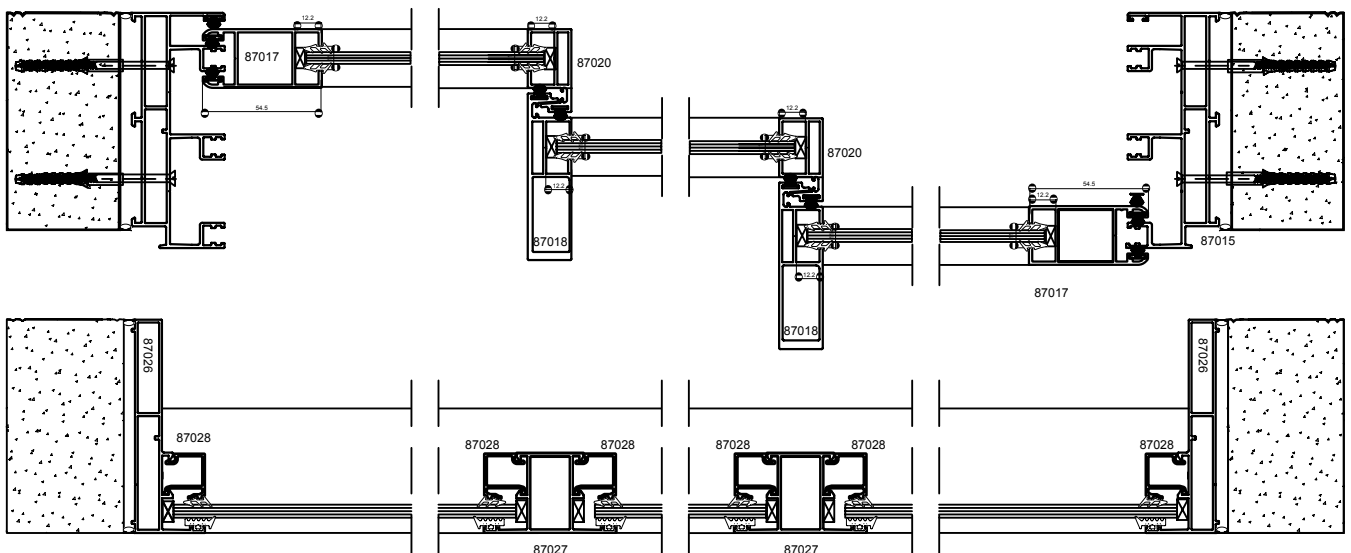
PROFILES		
Description	Shape	Section No.
Frame		87013
Frame		87028
T Profile		87027
Sash		87017
Sash		87019
Interlock		87020
Interlock		87021
Glazing Bead		87028
Adaptor		87023
Adaptor		87024



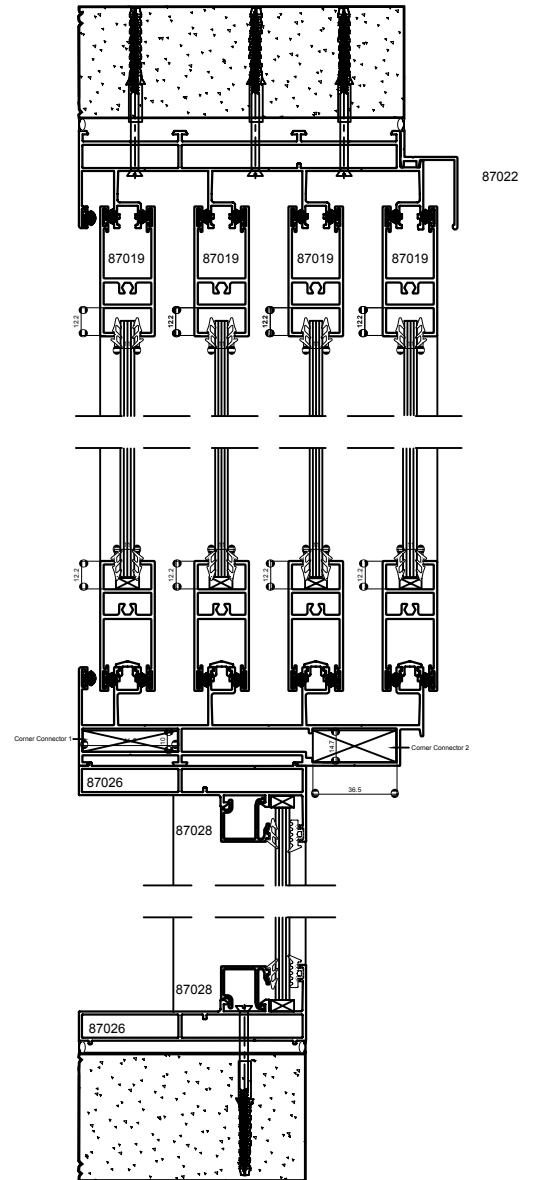
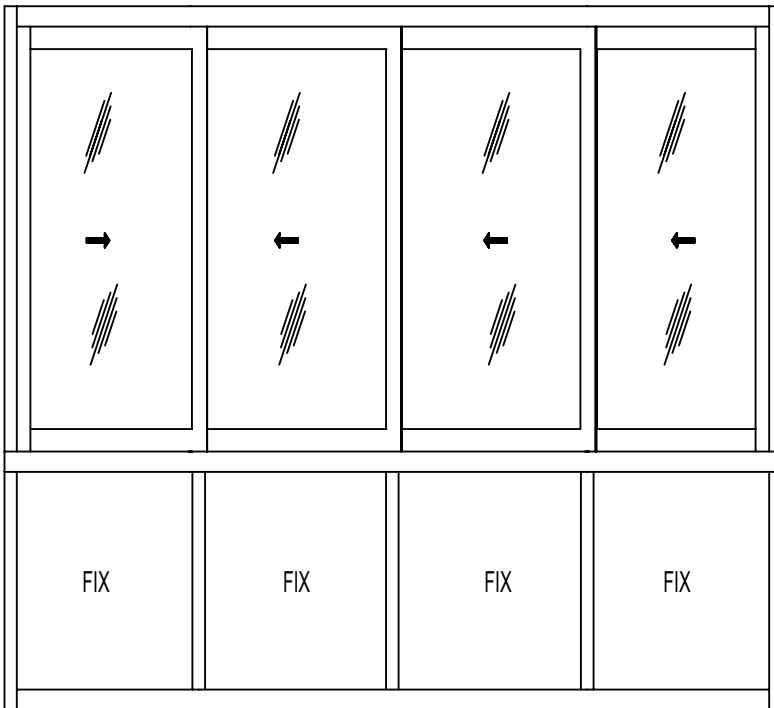
Cross Section



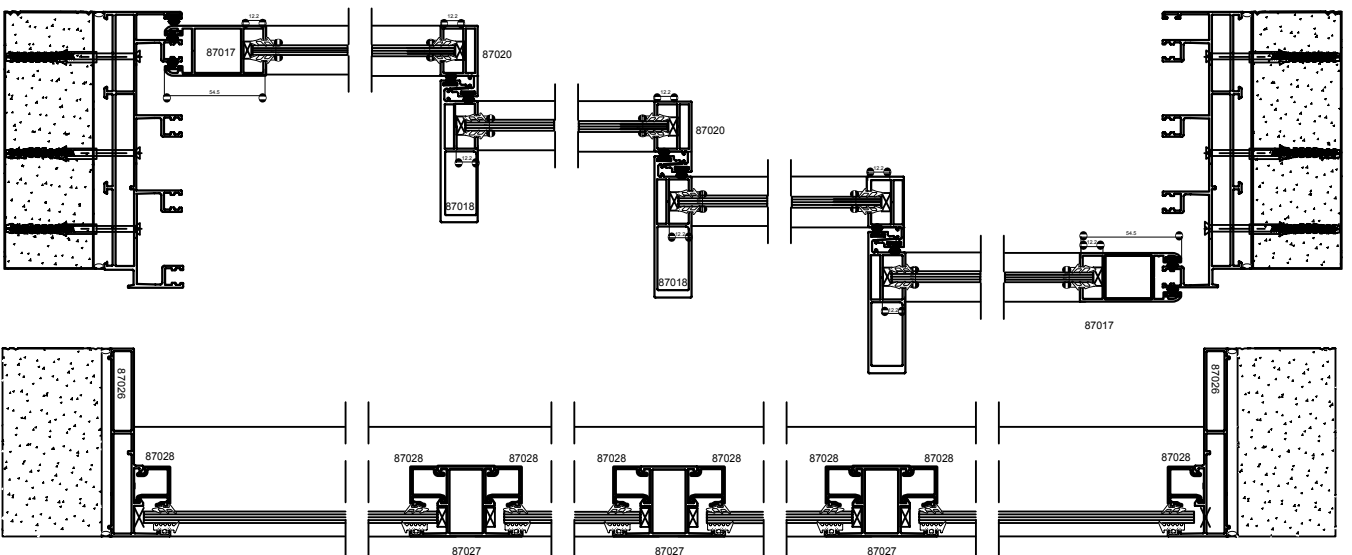
PROFILES		
Description	Shape	Section No.
Frame		87015
Frame		87026
T Profile		87027
Sash		87017
Sash		87019
Interlock		87020
Interlock		87021
Glazing Bead		87028
Adaptor		87023



Cross Section



PROFILES		
Description	Shape	Section No.
Frame		87022
Frame		87026
T Profile		87027
Sash		87017
Sash		87019
Interlock		87020
Interlock		87021
Glazing Bead		87028
Adaptor		87023



Profile Inertia Details			
SL #	Die #	IX	IY
1	87013	6.515098	23.662661
2	87014	15.657933	167.930175
3	87015	9.824861	80.216829
4	87016	13.622625	188.556208
5	87017	7.565599	3.320388
6	87018	11.846233	22.750789
7	87019	6.637225	2.487683
8	87020	0.791401	3.078545
9	87021	2.029495	24.730449
10	87022	1.131264	0.98646
11	87023	0.007726	0.022108
12	87024	0.658645	0.475396
13	87025	1.708472	9.708744
14	87026	2.225573	39.70617
15	87027	5.479545	5.512182
16	87028	0.332496	0.478676



**NATIONAL ALUMINIUM
PRODUCTS COMPANY SAOG**

OMAN

Corporate Office and Factory
National Aluminum Products Co.
PO Box 15, Rusayl, PC 124, Sultanate of Oman
Phone: +968 24446450, Fax: +968-24446453
Email: sales@napco.co.om, info@napco.co.om

UAE

National Aluminum Products Co. - Branch Office
PO Box 116912, Dubai,
Office 34, Shuraa Business Center
6C Al Abraj St, Business Bay, 29th floor-Prime Tower-Dubai
Phone: +971 045236200

INDIA

NAPCO Extrusions India LLP
4 , Odyssey IT Park,
Road No. 9, Wagle Industrial Estate,
Thane (West) - 400604.
Phone: +91 2220814444

www.napcooman.com