



NATIONAL ALUMINIUM
PRODUCTS COMPANY SAOG

N42 Catalogue



01-2021-V.01

All rights reserved.

No part of this publication may be reproduced, stored in a retrieval system or transmitted in any form or by any means electronic, mechanical, photocopying, recording or otherwise, without prior permission of NAPCO.





Index

Company Profile	05
Technical Information	06
N42	08
Cross-Sections	80
Profile Index	82



About Us

National Aluminium Products Company SAOG (NAPCO) was established in 1984 and is one of the leading extruders of aluminium profiles in the GCC market. Located in the Sultanate of Oman, the manufacturing plant is spread over 65,000 sq meters in the Rusayl Industrial estate.

NAPCO offers a wide range of Aluminium profile extrusions in finishes that suit functional modern design specifications. The company has left its mark on the architectural landscape of the Middle East with its renowned quality products being used in a number of prominent structures.

Our annual production capacity is 42,000 MT with four (4) state of the art presses. The extrusion presses are complemented by one anodizing line and two powder coating lines (vertical & horizontal). NAPCO also houses two wood finish lines and a crimping and bending facility.

NAPCO's commitment to quality has made it the first extrusion company in the Gulf to receive ISO certifications. We are also the only public limited aluminium extrusion company in the entire GCC.

With a consistent focus on innovative production skills and high service standards, we will continue our objective to meet customer demands and expectations.

Technical Information on Aluminium extrusions supplied by NAPCO

A. Equipment & Capacity

Extrusion Press: 4

2000 MT (8') SMS Germany

2800 MT (9') Danieli Breda, Italy

1800 MT (7') Tecalex, Spain

1800 MT (7') Tecalex, Spain

Powder Coating Plant: 2

Horizontal Type, Ercon, UK

Vertical Type, Trasmetal, Italy

Anodizing Line: 1

SAS, Germany

Wood Finish: 2 NATURALL, Italy.

Crimping & Bending Facility.

- **Current Capacity Per Annum**

Extrusion: 42,000

Powder Coating: 27,000

Anodizing: 2,400

Wood Finish: 1,500

B. General Specification

Max profile size CCD 305mm

(*indicative size)

C. Product Range

NAPCO offers a range of over 6000 profiles to suit the architectural and manufacturing industry. NAPCO also develops exclusive dies for customers against their own designs.

- **Aluminium extrusions in:**

Mill Finish

Anodized

Powder Coated and Natural Wood Finish

- **Façade Systems:**

NAPCO is in partnership with world renowned façade system houses in the GCC. Please contact us to discuss your best-fit solution.

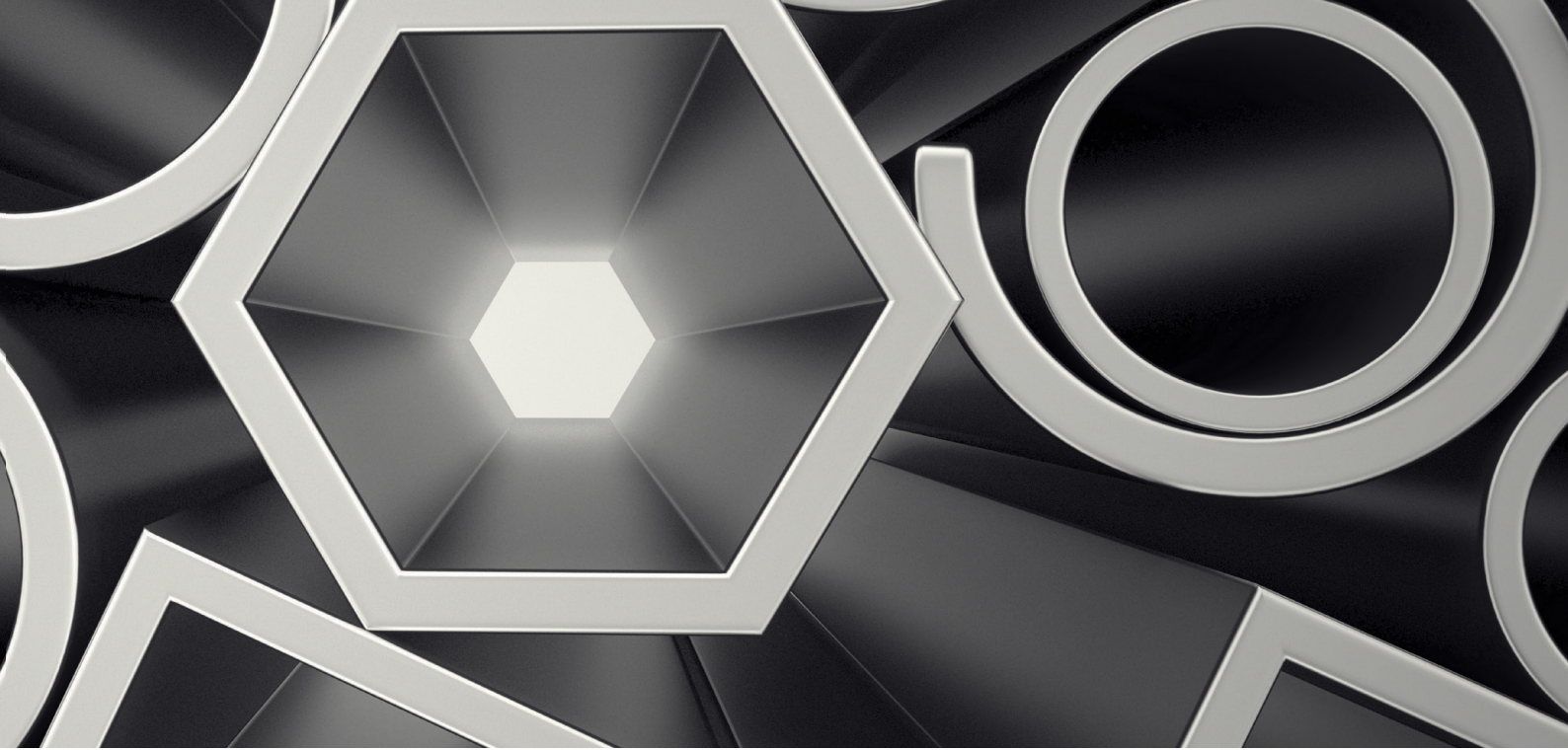
D. Anodizing

NAPCO has one anodizing line employing sulphuric acid anodizing process offering a wide range of colour shades such as Silver, Bronze and Black with scope of development of other shades to suit customer requirements.

Specifications: DC Sulphuric Acid Anodizin

As per EN 1 - 12373 and BS 1991 3987

Qualanod Approved



E: Powder Coating

NAPCO has two powder coating lines (horizontal & Vertical) with IR curing ovens. The colour coat thickness in exposed areas is Around 80-60 microns. The new vertical line is able to accommodate profile lengths up to 8 meters.

Qualicoat Approved.

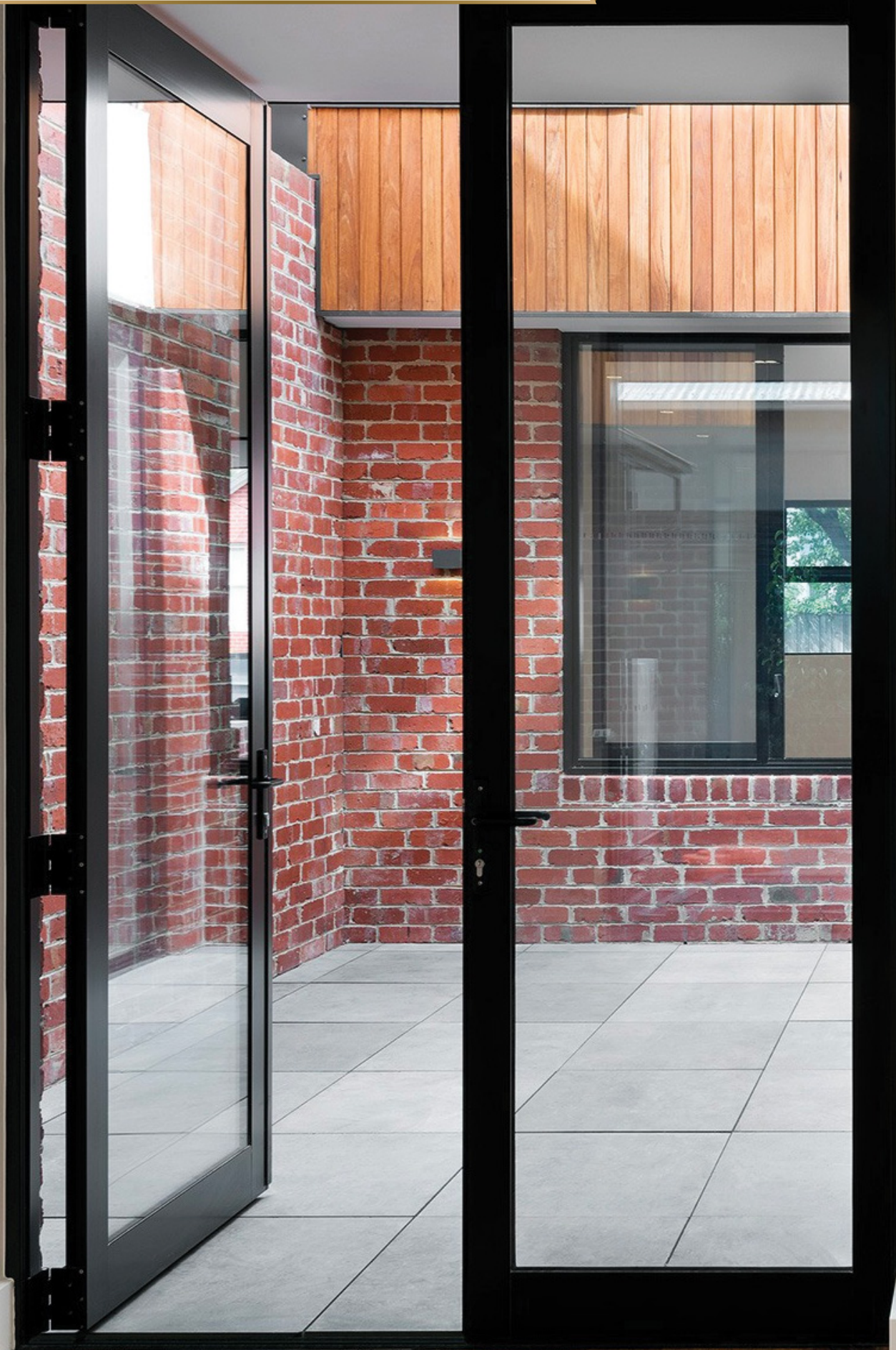
Natural finish is available in seven combinations of Wood patterns.

Specification: As per 6496

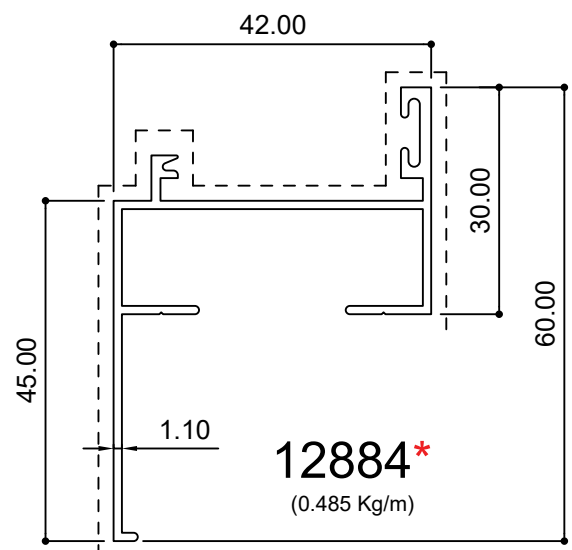
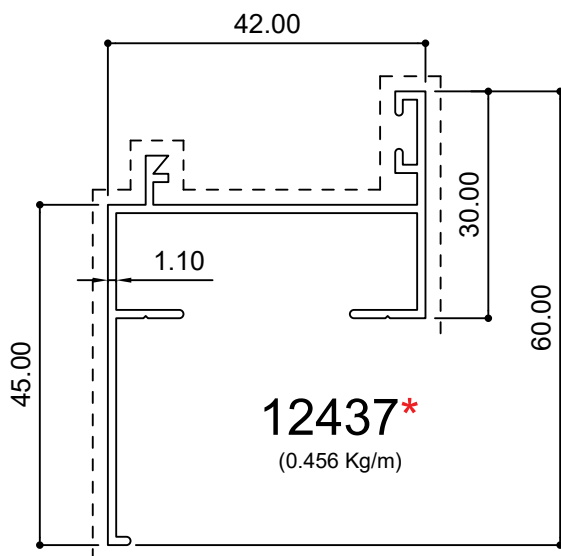
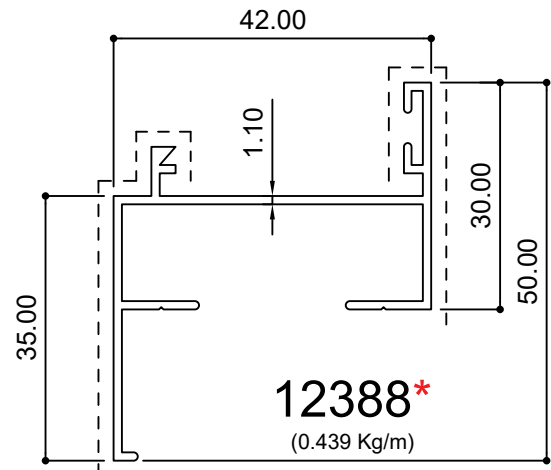
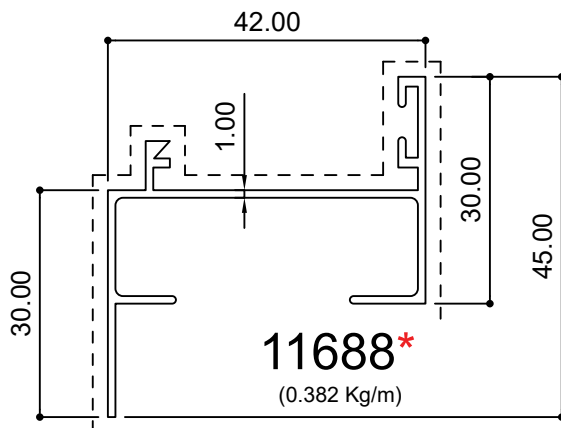
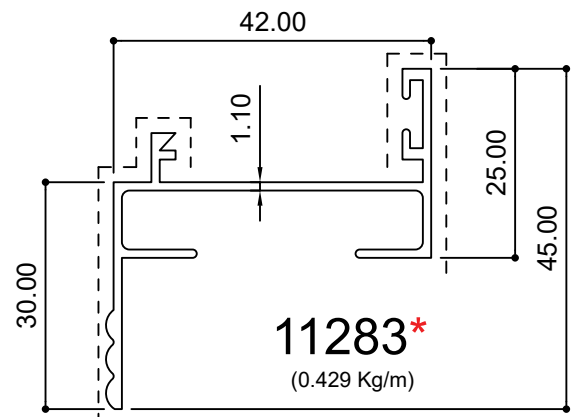
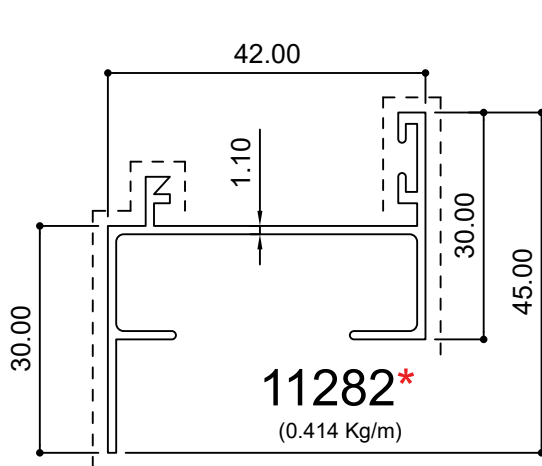
F. Certifications



Hinged Doors & Windows

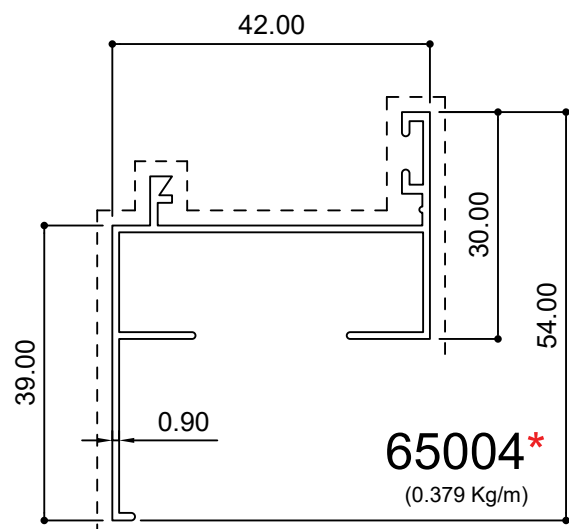
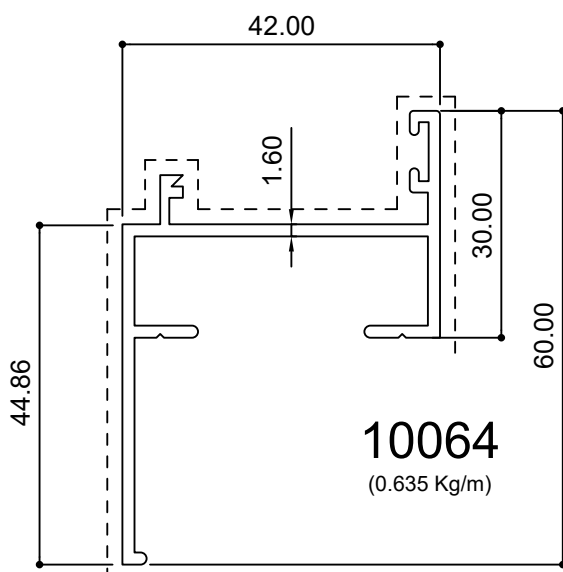
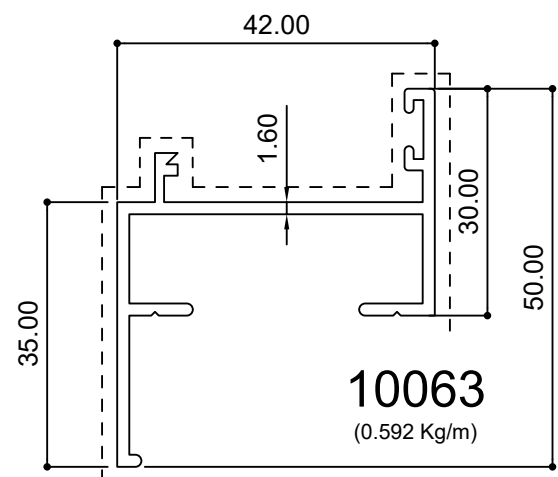
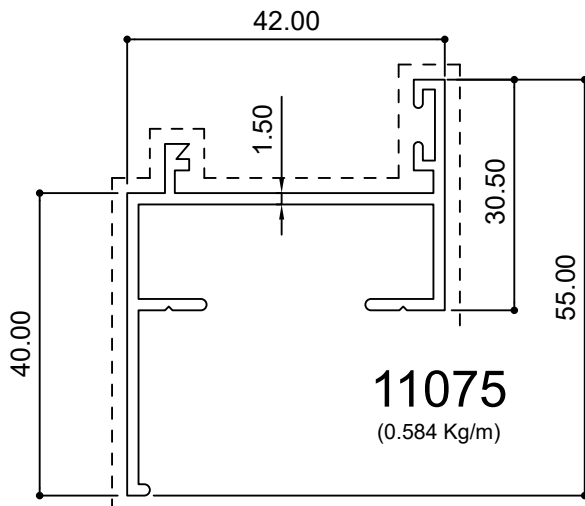
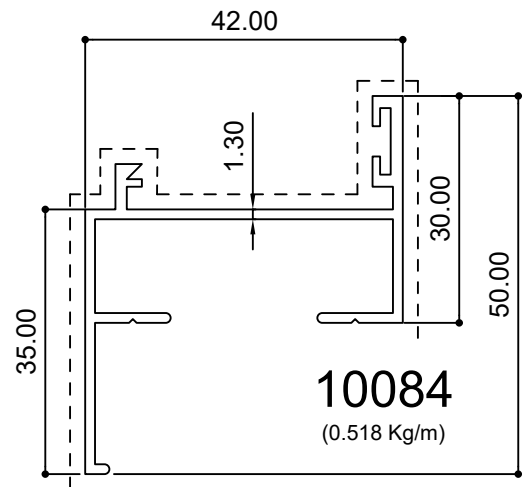
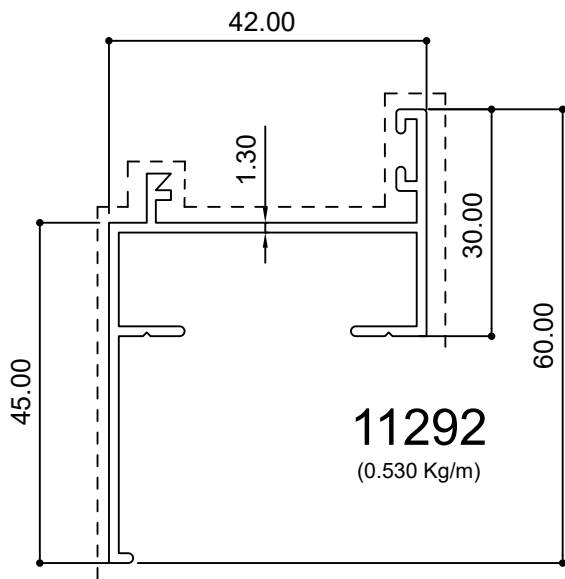


Frame Profiles 42mm



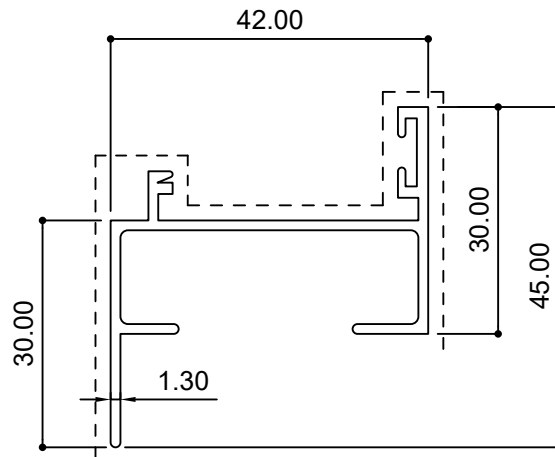
* For export, not recommended for GCC usage

Frame Profiles 42mm

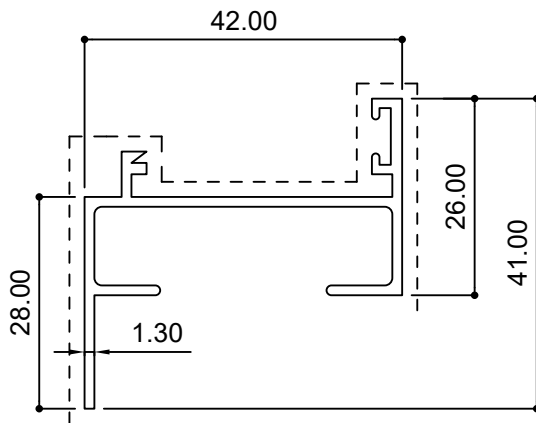


* For export, not recommended for GCC usage

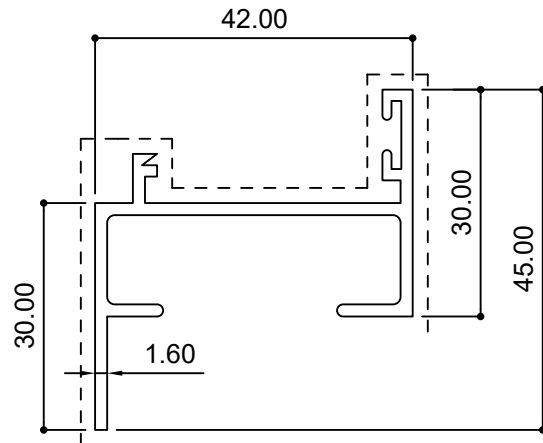
Frame Profiles 42mm



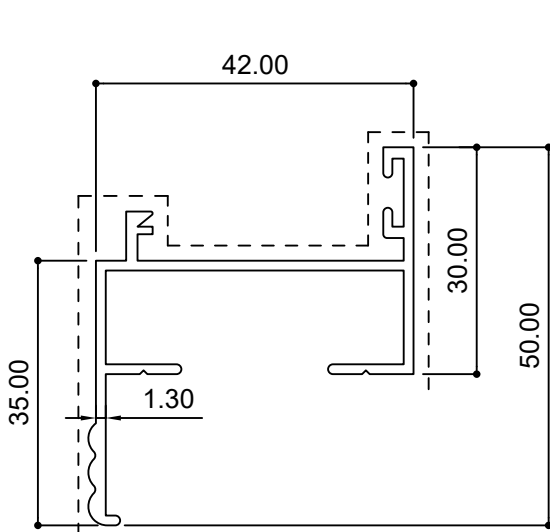
10367
(0.480 Kg/m)



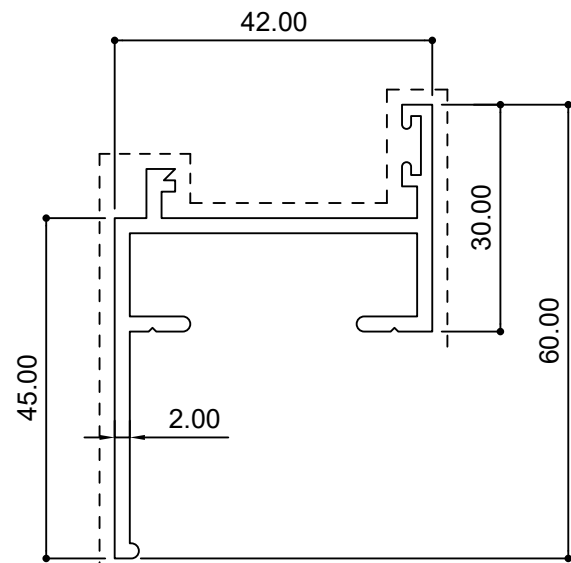
10369
(0.454 Kg/m)



10416
(0.575 Kg/m)



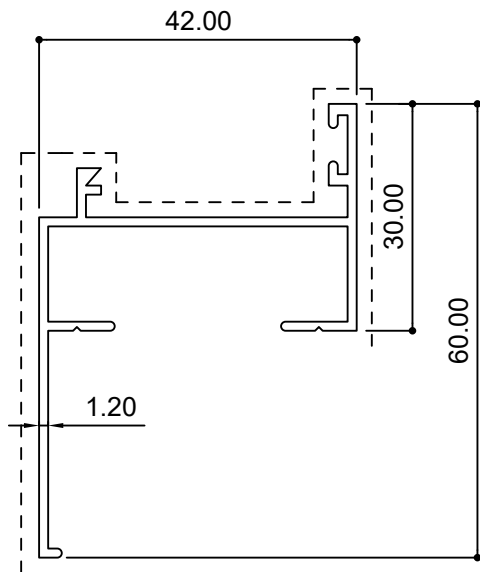
10244
(0.548 Kg/m)



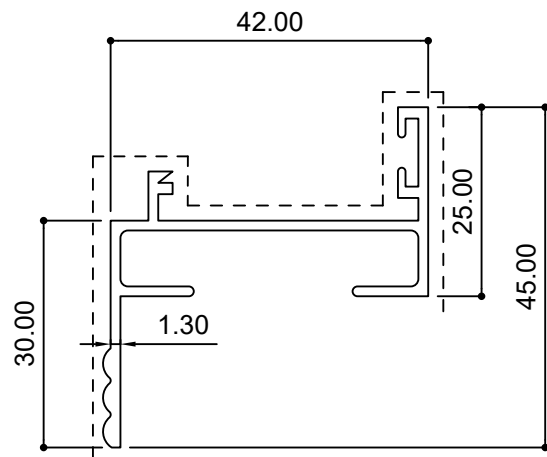
10090
(0.761 Kg/m)

* For export, not recommended for GCC usage

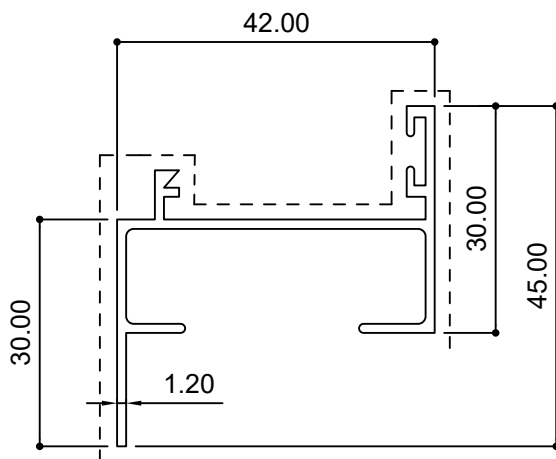
Frame Profiles 42mm



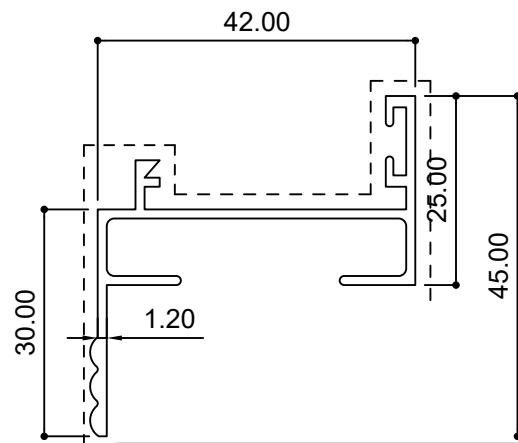
11111
(0.496 Kg/m)



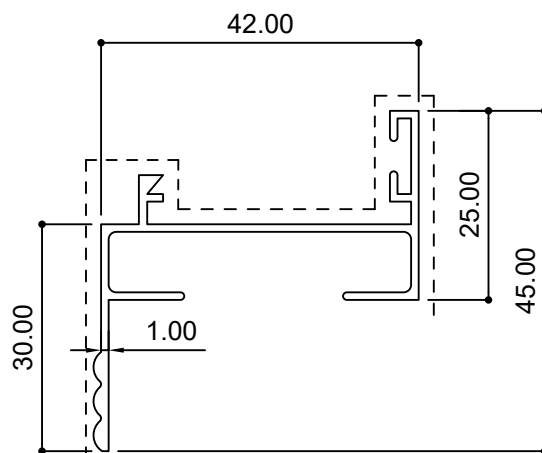
11027
(0.489 Kg/m)



11100
(0.450 Kg/m)



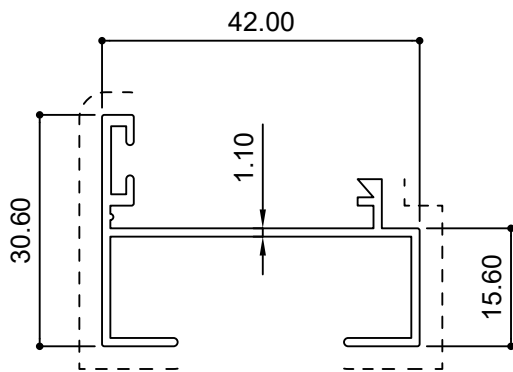
11109
(0.459 Kg/m)



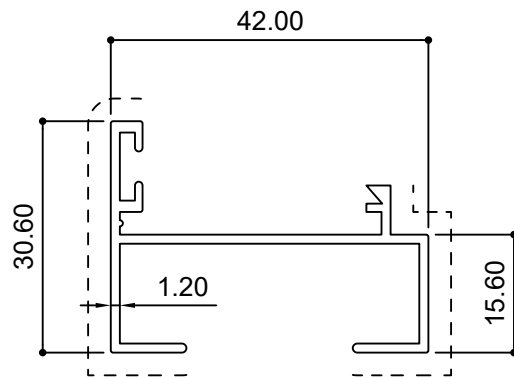
12524*
(0.395 Kg/m)

* For export, not recommended for GCC usage

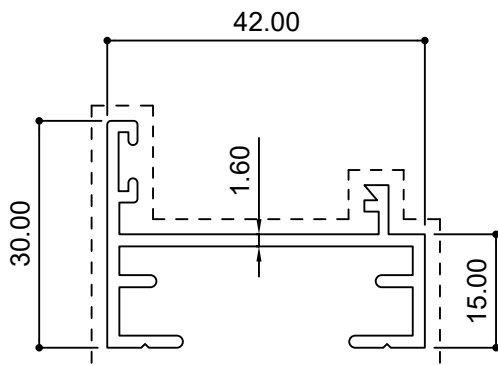
Frame Profiles 42mm



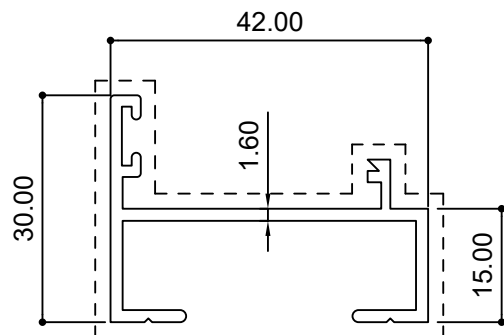
65034*
(0.387 Kg/m)



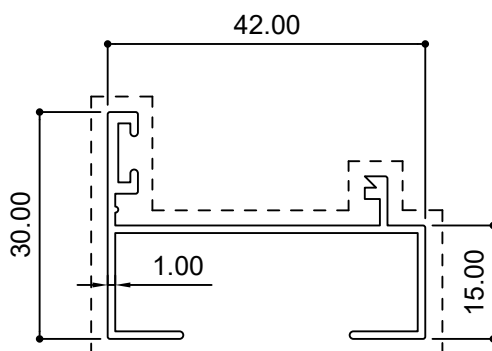
65022
(0.405 Kg/m)



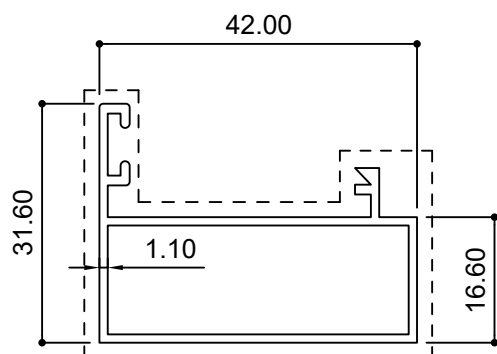
14177
(0.536 Kg/m)



10062
(0.499 Kg/m)



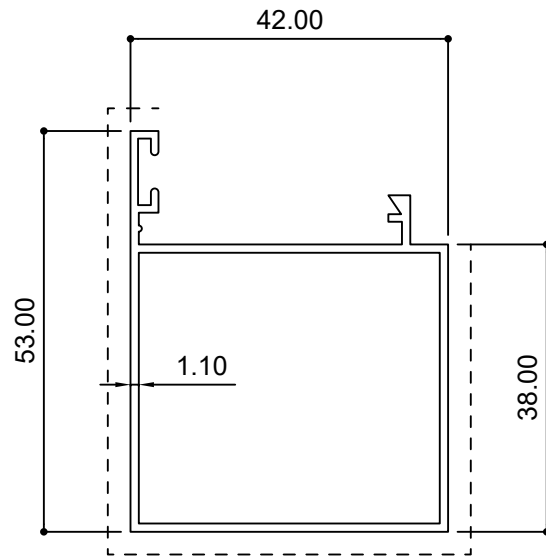
65010*
(0.350 Kg/m)



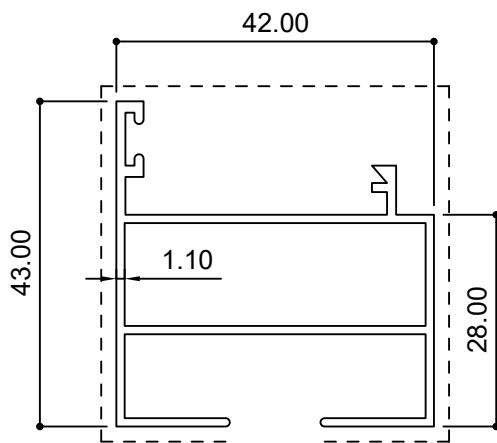
21957*
(0.444 Kg/m)

* For export, not recommended for GCC usage

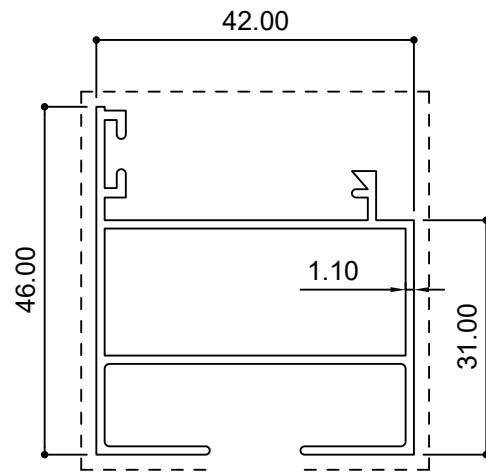
Frame Profiles 42mm



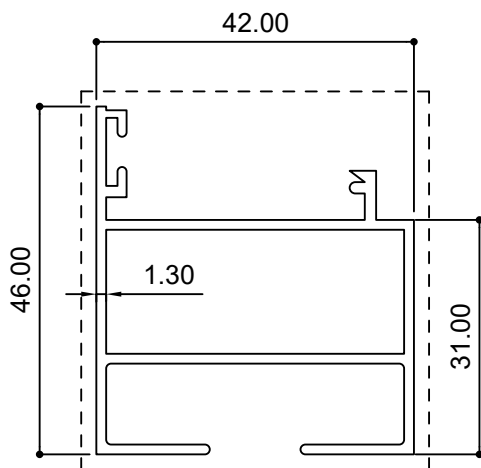
60095*
(0.561 Kg/m)



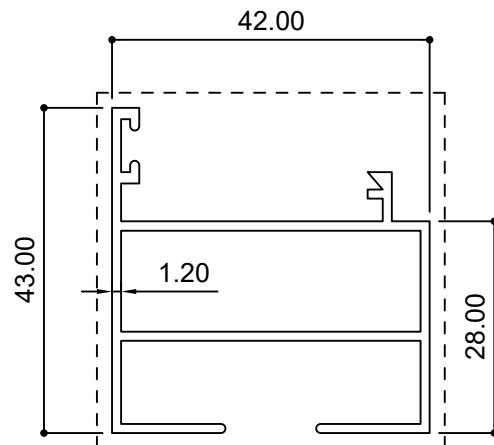
21150*
(0.595 Kg/m)



21763*
(0.614 Kg/m)



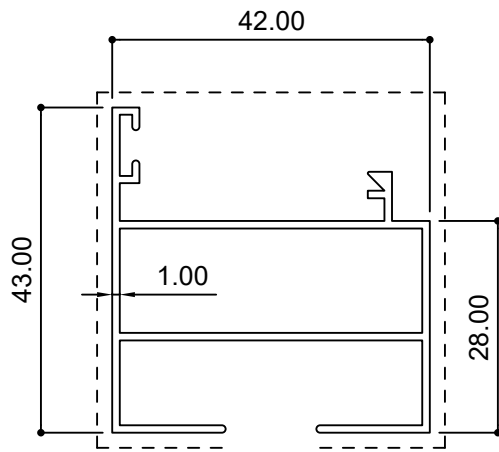
20081
(0.718 Kg/m)



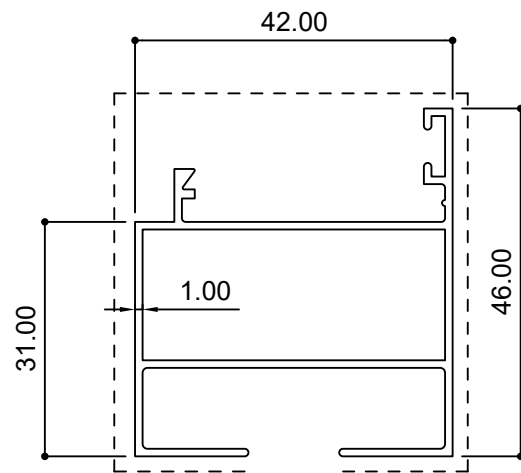
21038
(0.643 Kg/m)

* For export, not recommended for GCC usage

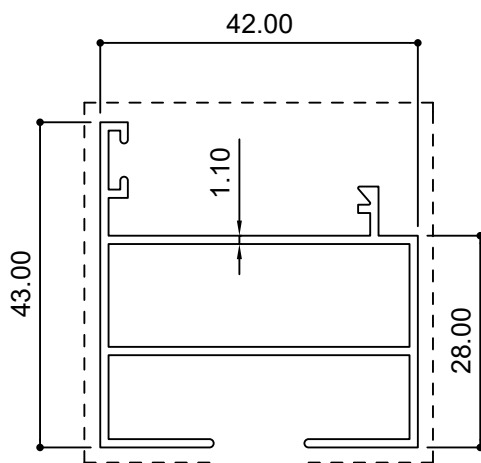
Frame Profiles 42mm



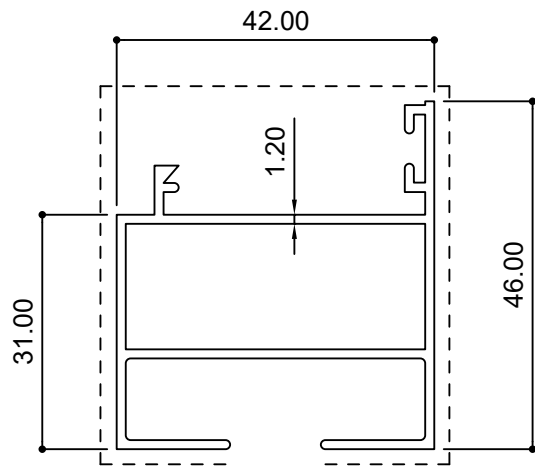
22377*
(0.536 Kg/m)



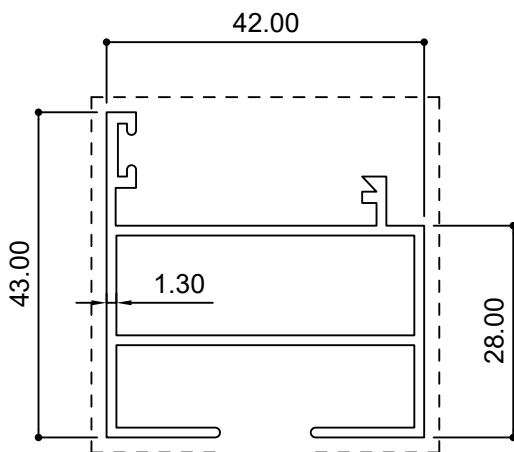
60028*
(0.556 Kg/m)



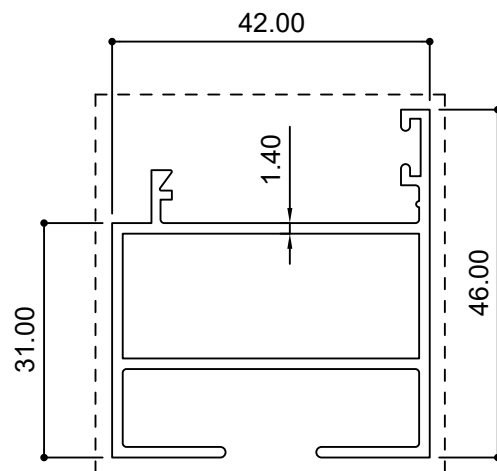
22130*
(0.582 Kg/m)



21054*
(0.663 Kg/m)



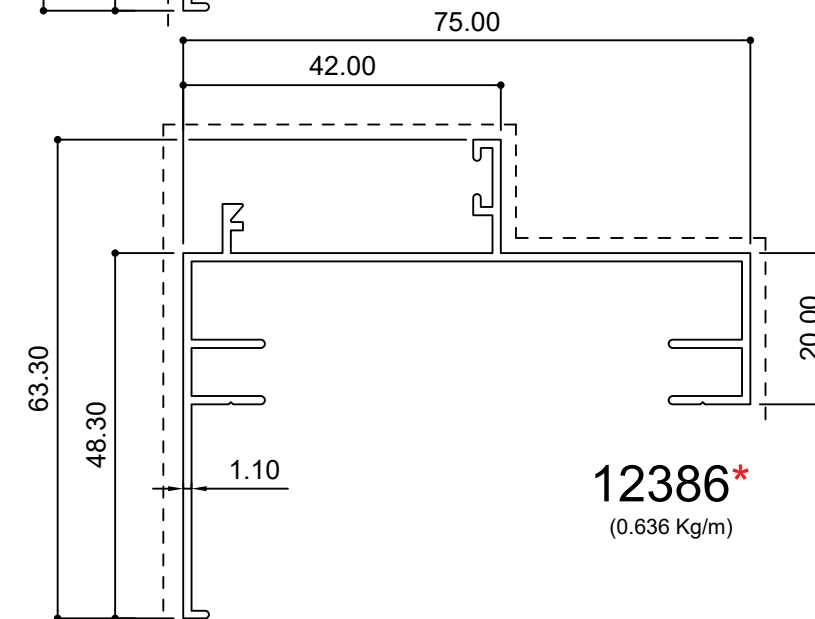
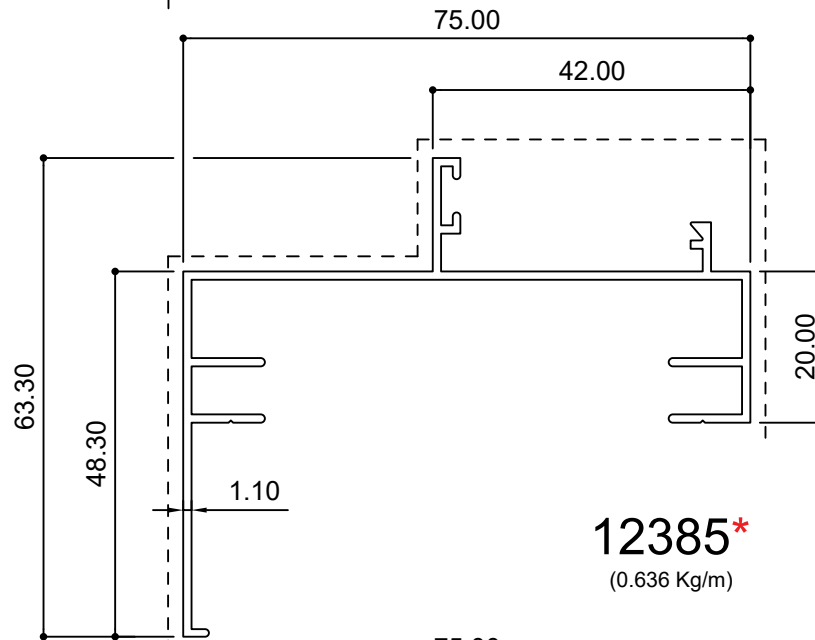
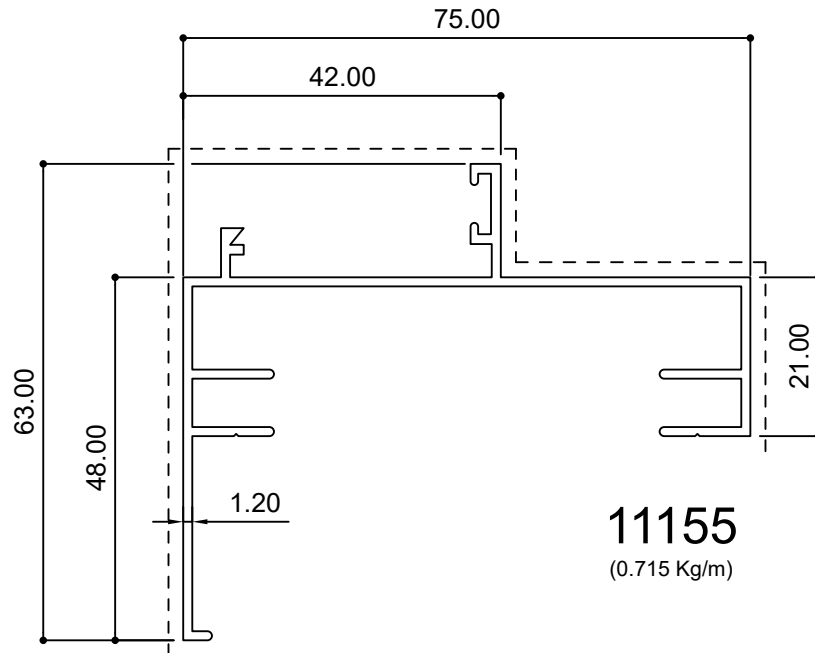
20120
(0.698 Kg/m)



60036
(0.744 Kg/m)

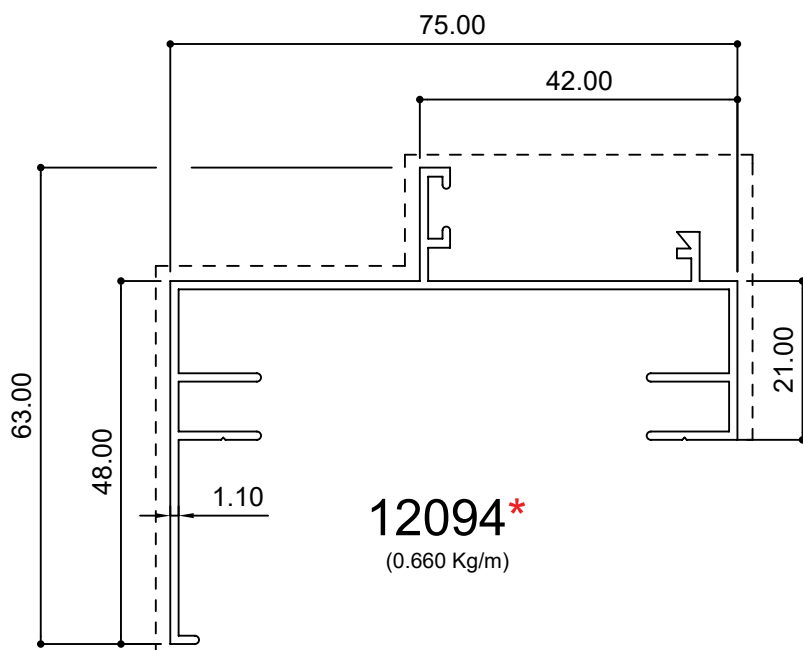
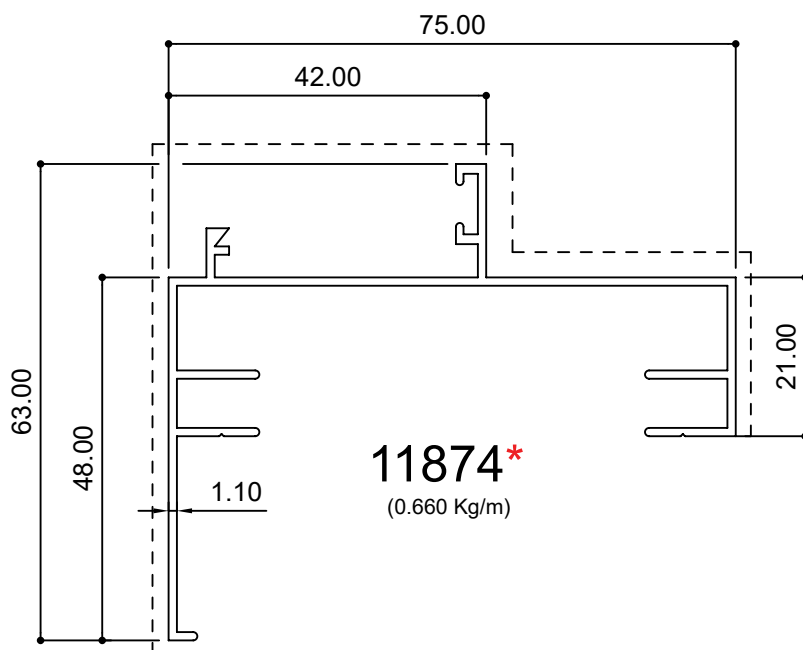
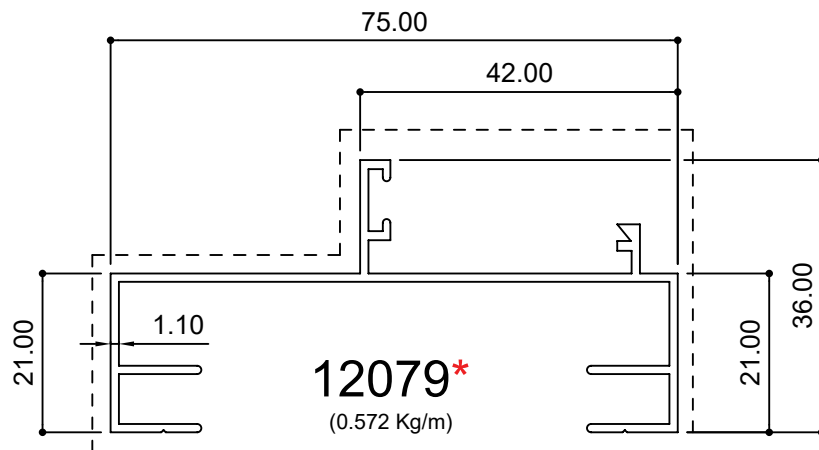
* For export, not recommended for GCC usage

Frame Profiles 42mm



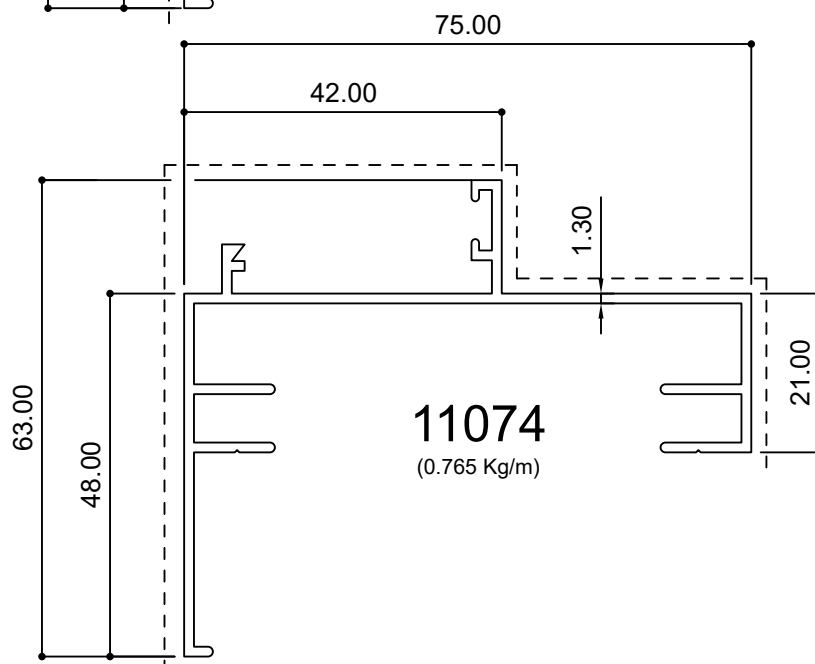
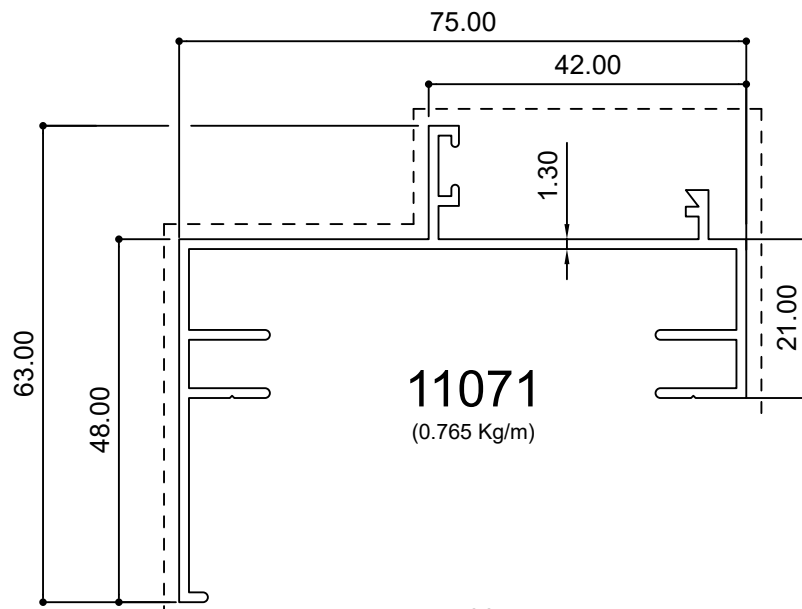
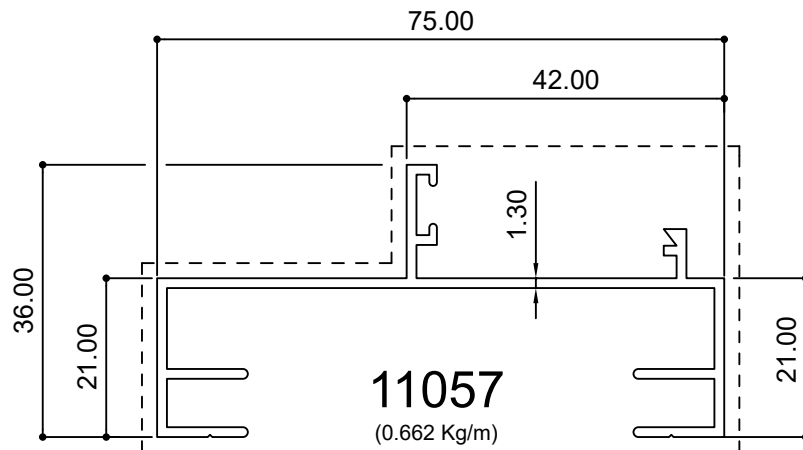
* For export, not recommended for GCC usage

Frame Profiles 42mm



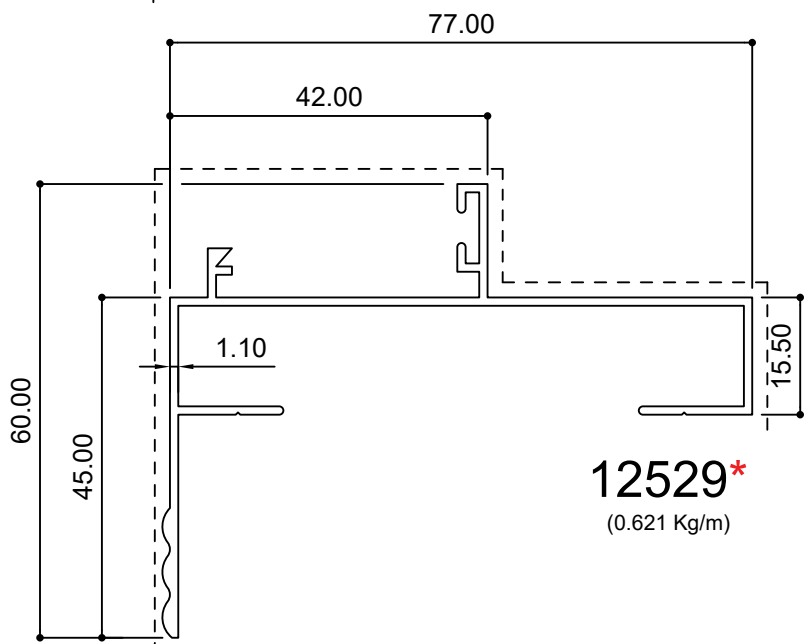
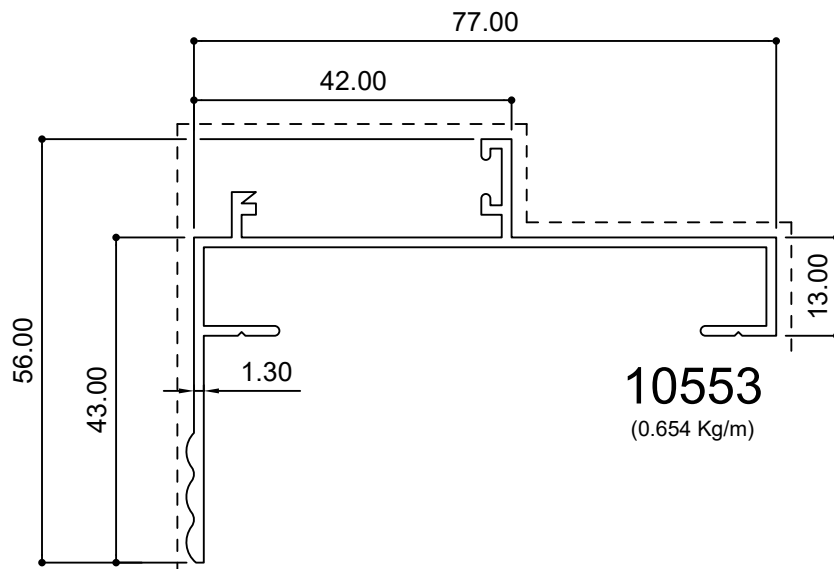
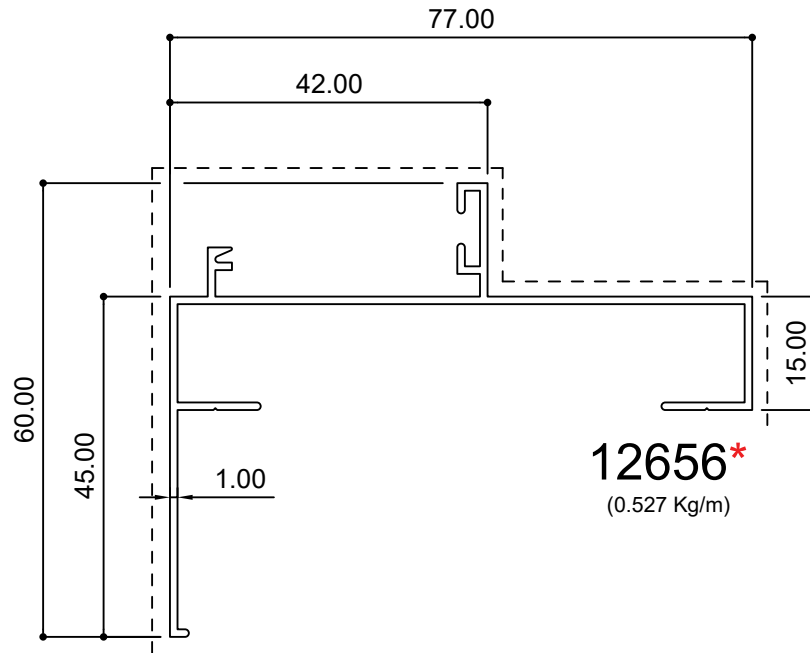
* For export, not recommended for GCC usage

Frame Profiles 42mm



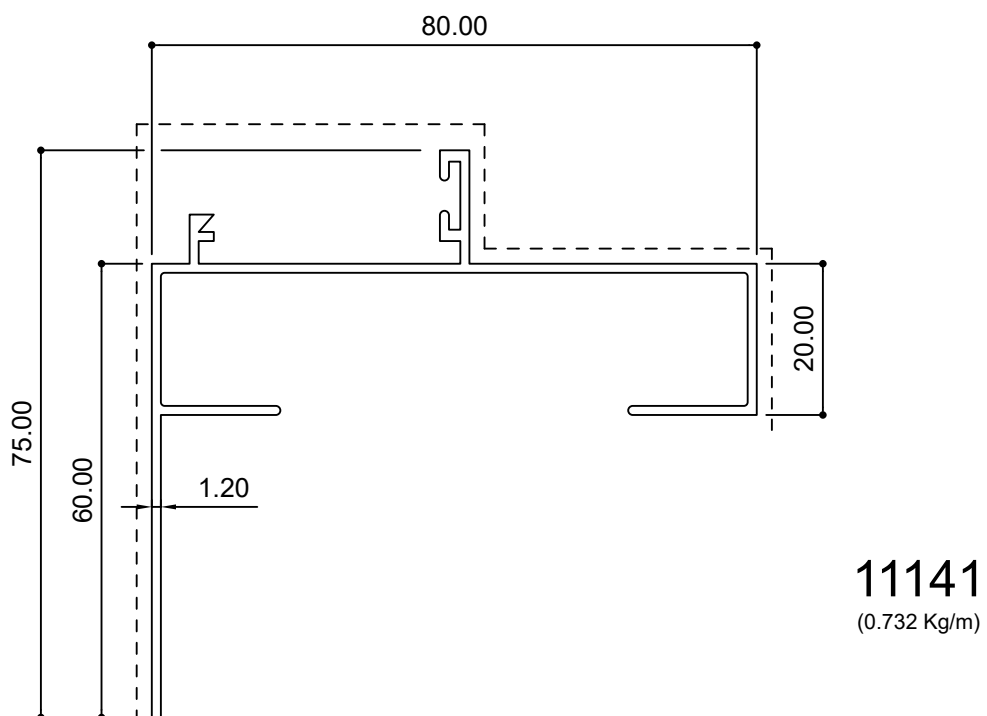
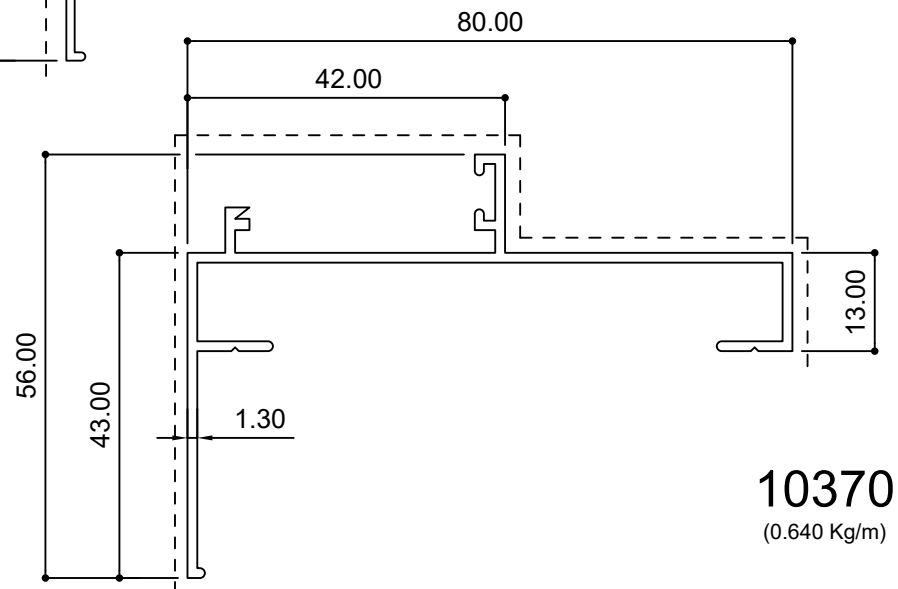
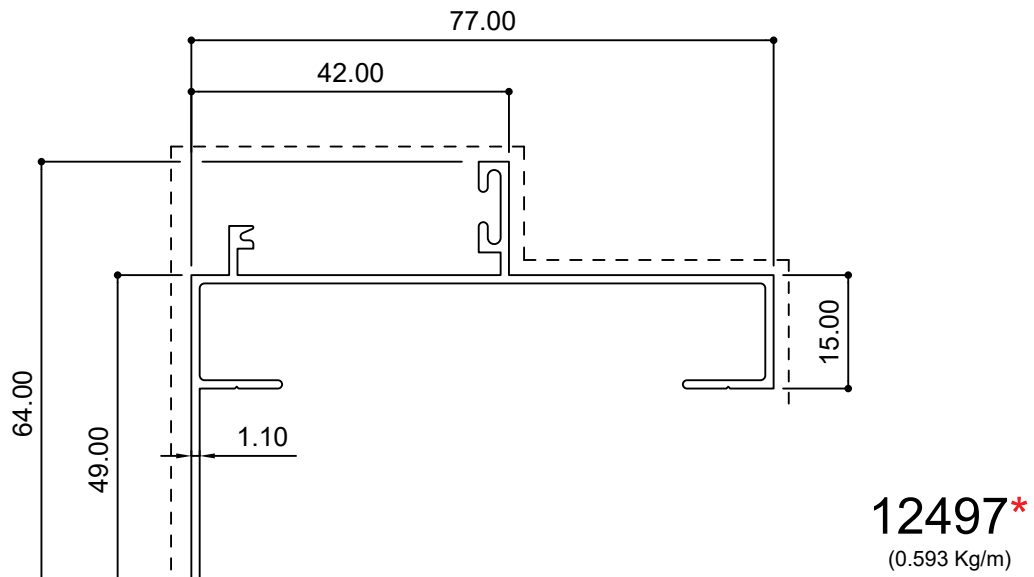
* For export, not recommended for GCC usage

Frame Profiles 42mm



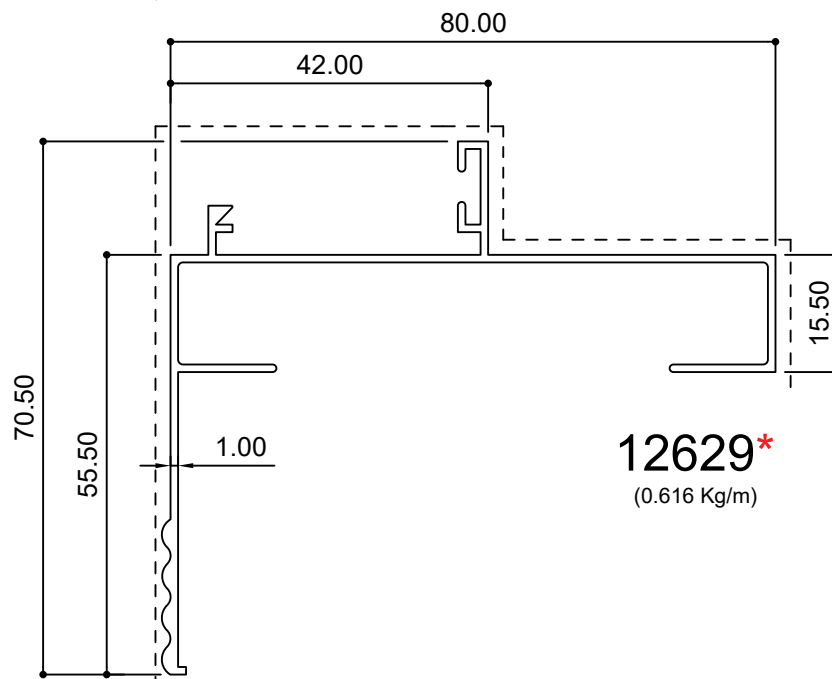
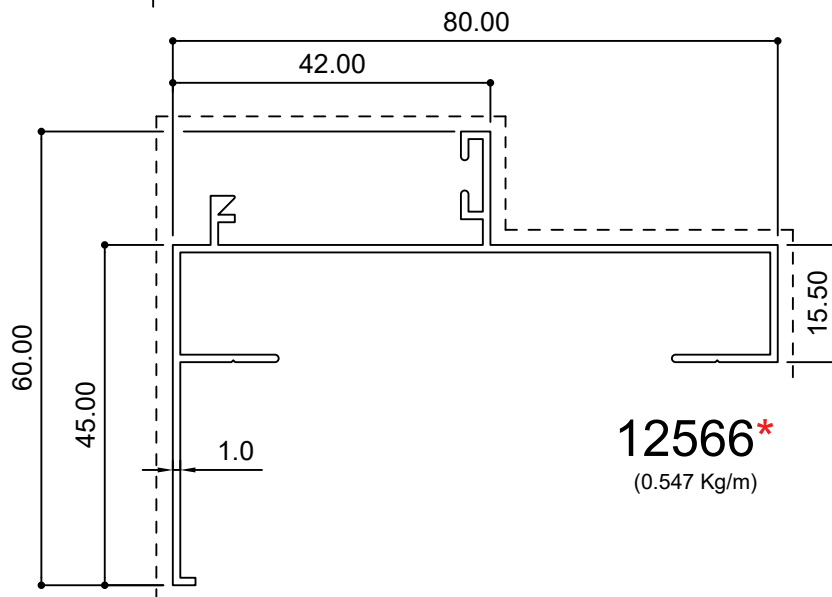
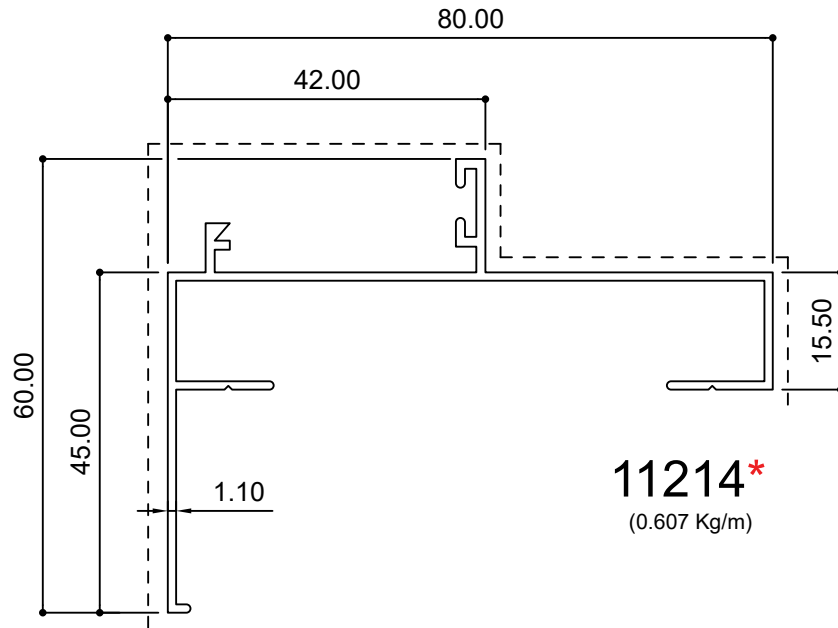
* For export, not recommended for GCC usage

Frame Profiles 42mm



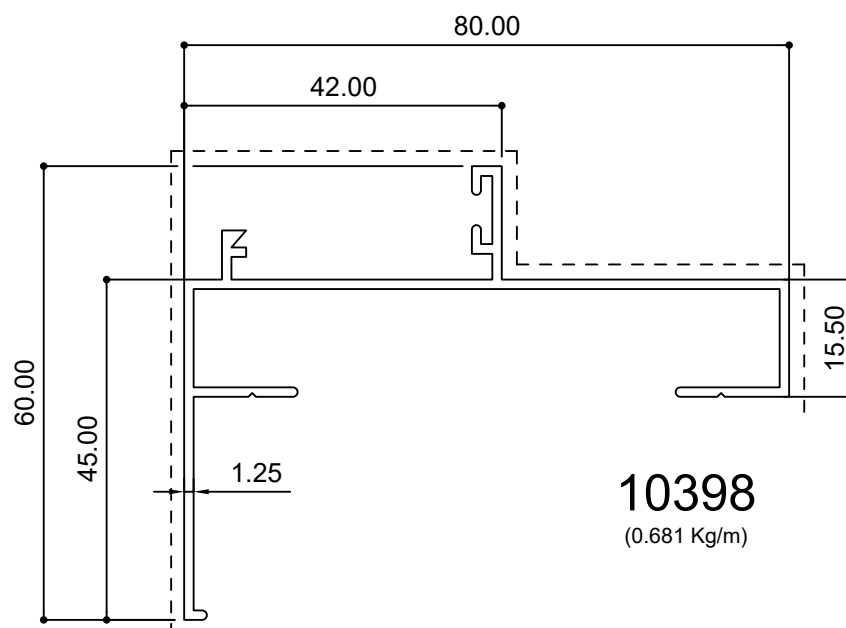
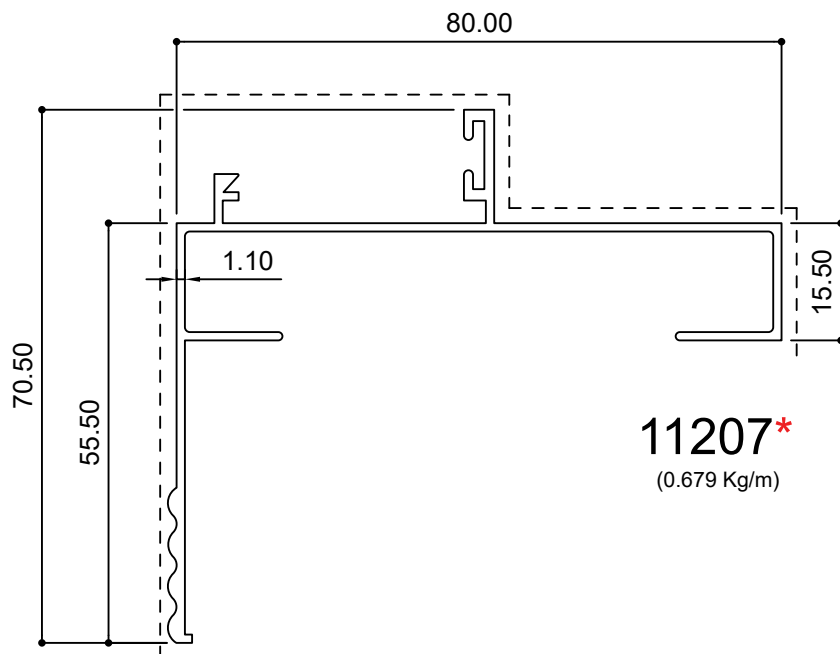
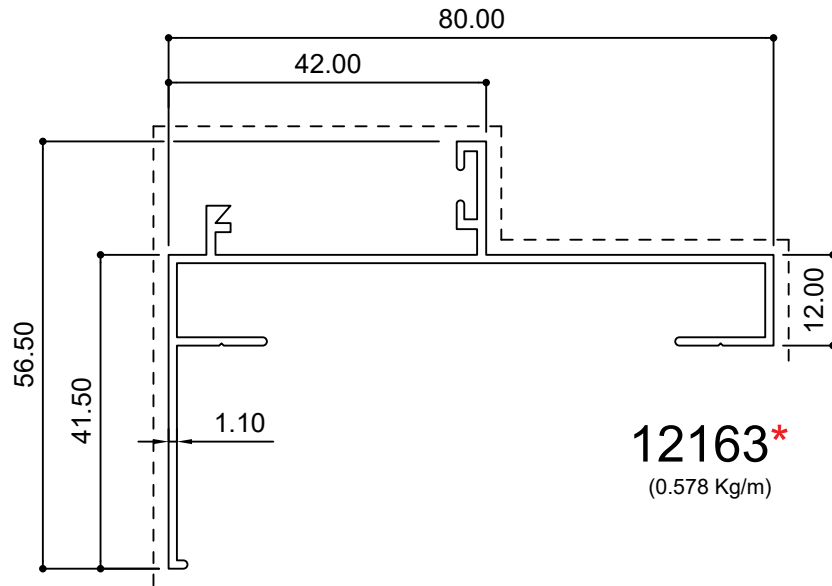
* For export, not recommended for GCC usage

Frame Profiles 42mm

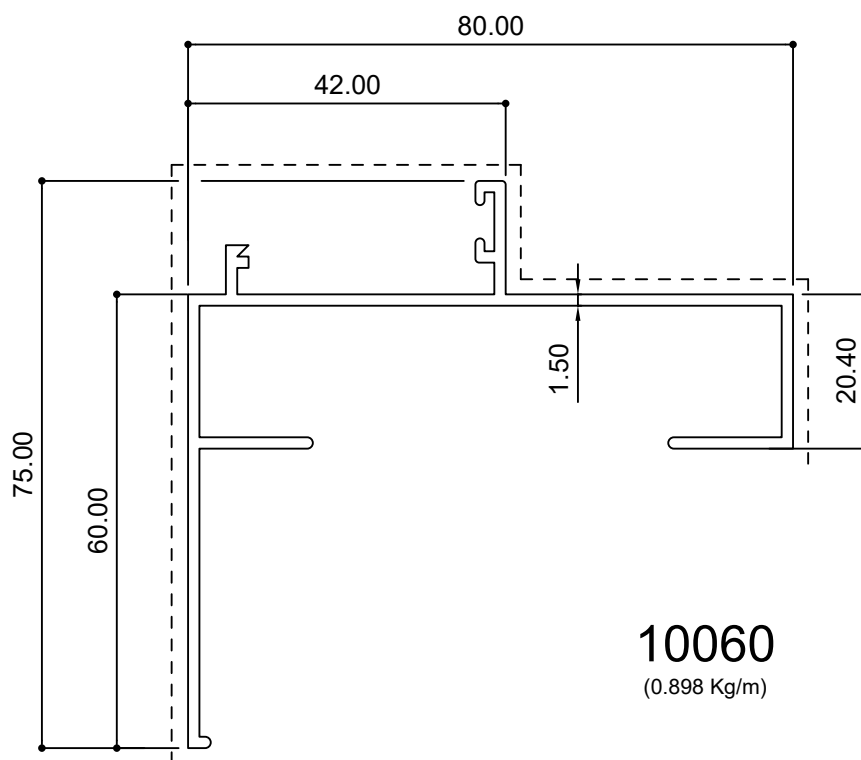


* For export, not recommended for GCC usage

Frame Profiles 42mm

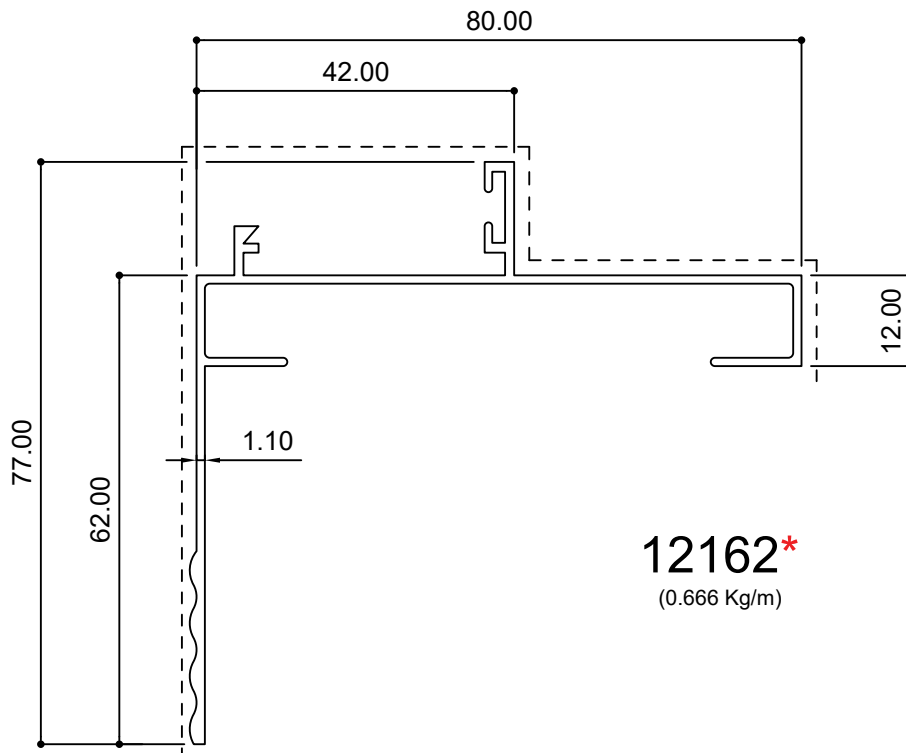
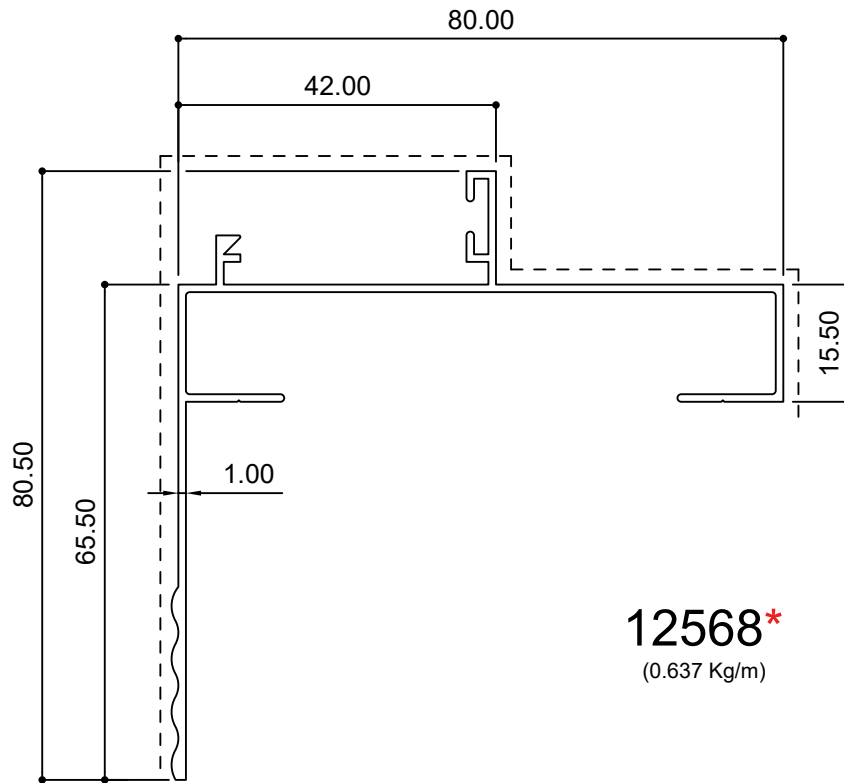


* For export, not recommended for GCC usage



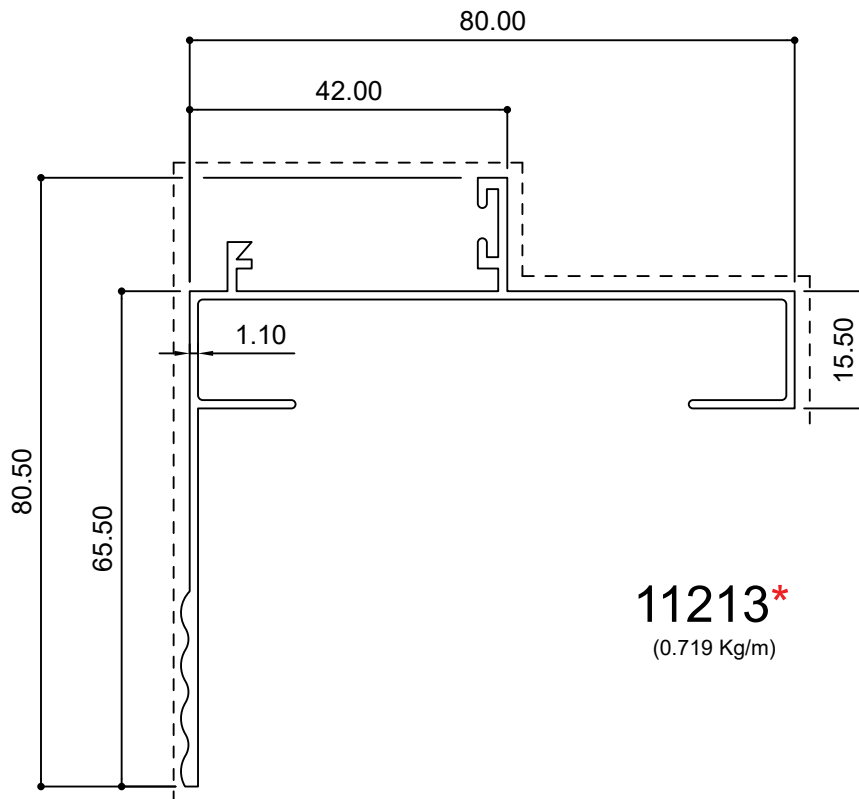
* For export, not recommended for GCC usage

Frame Profiles 42mm

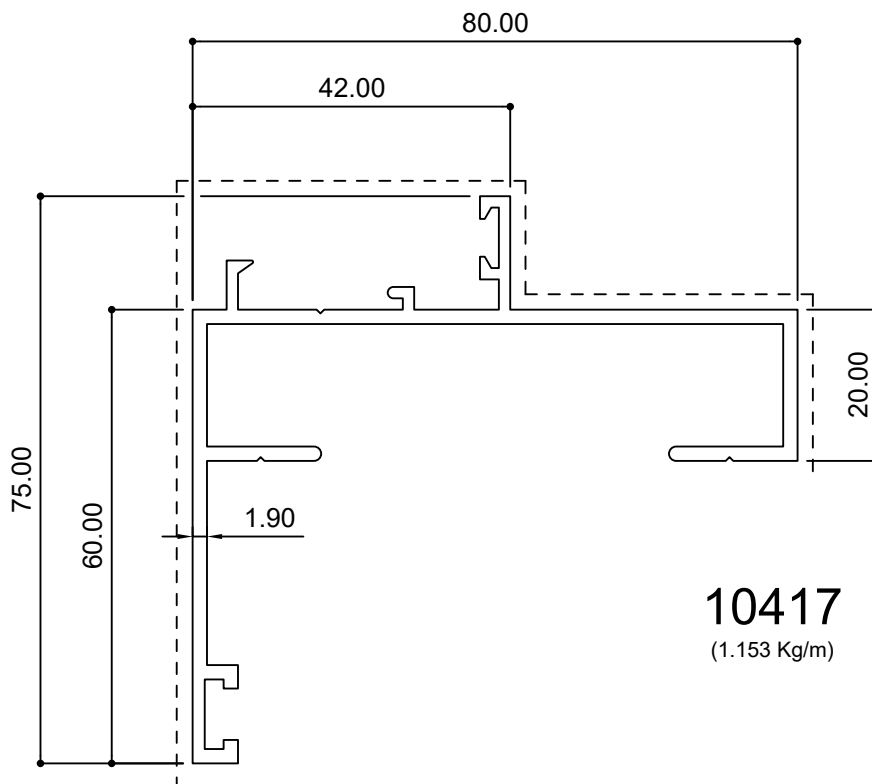


* For export, not recommended for GCC usage

Frame Profiles 42mm



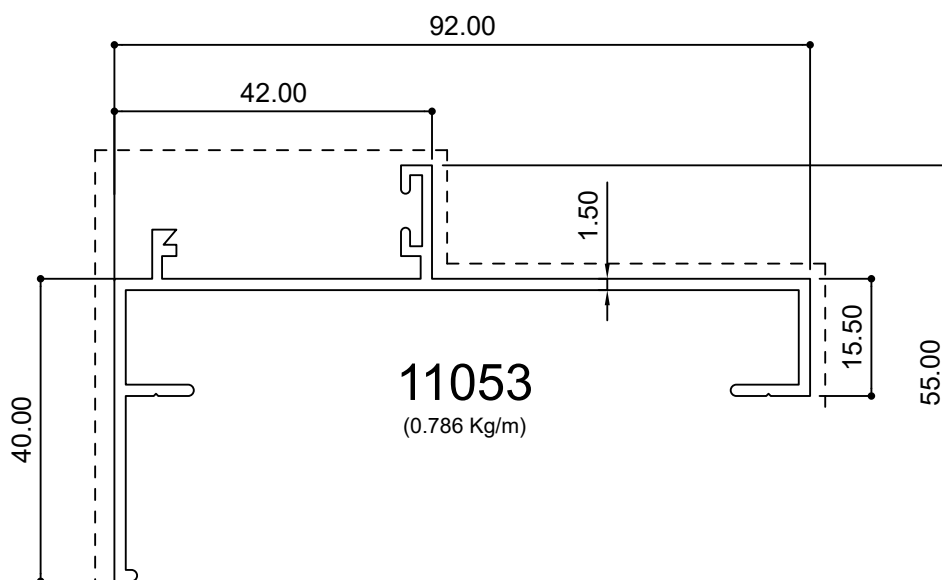
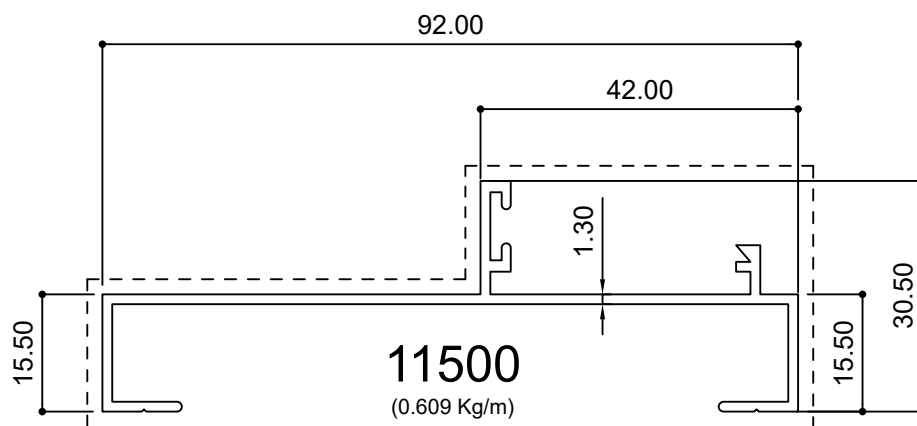
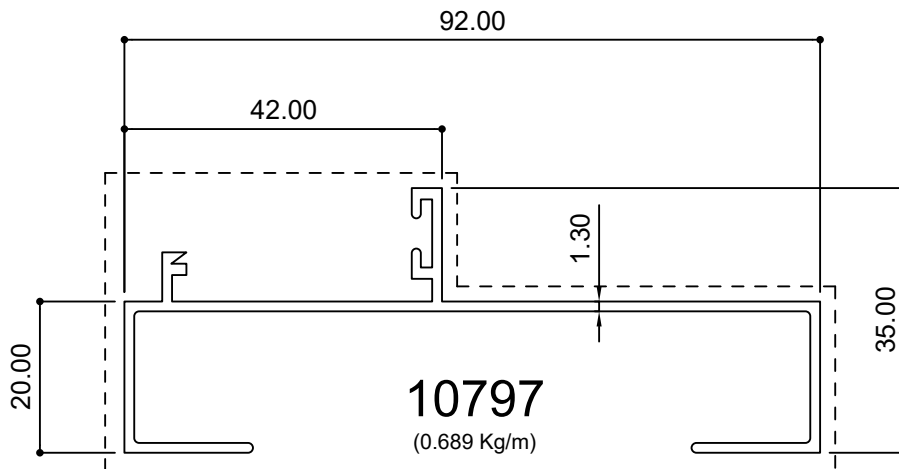
11213*
(0.719 Kg/m)



10417
(1.153 Kg/m)

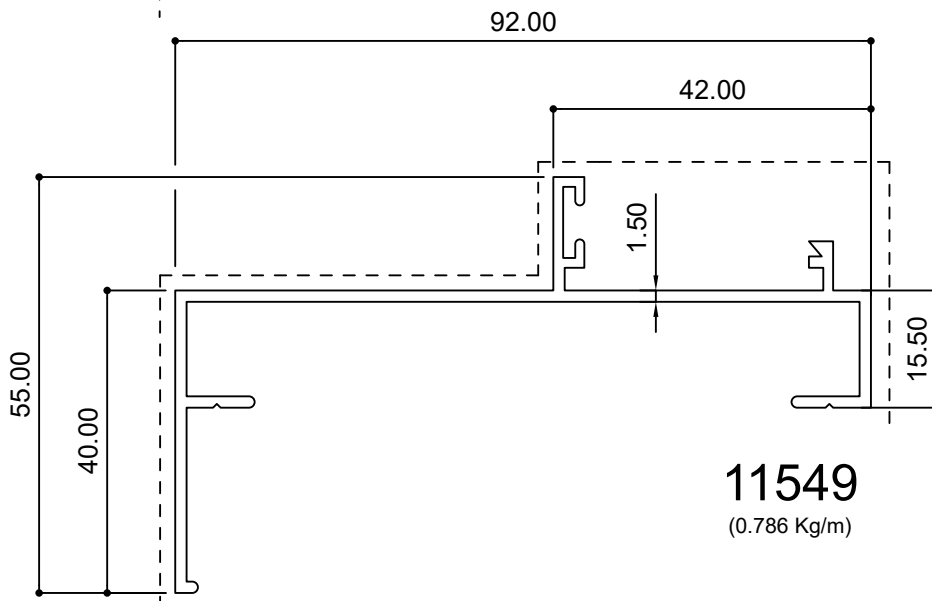
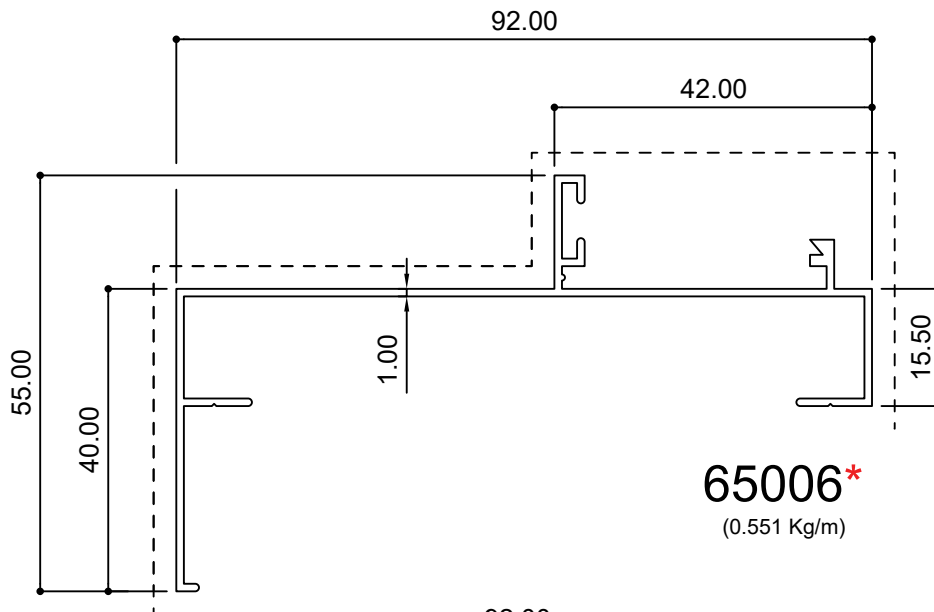
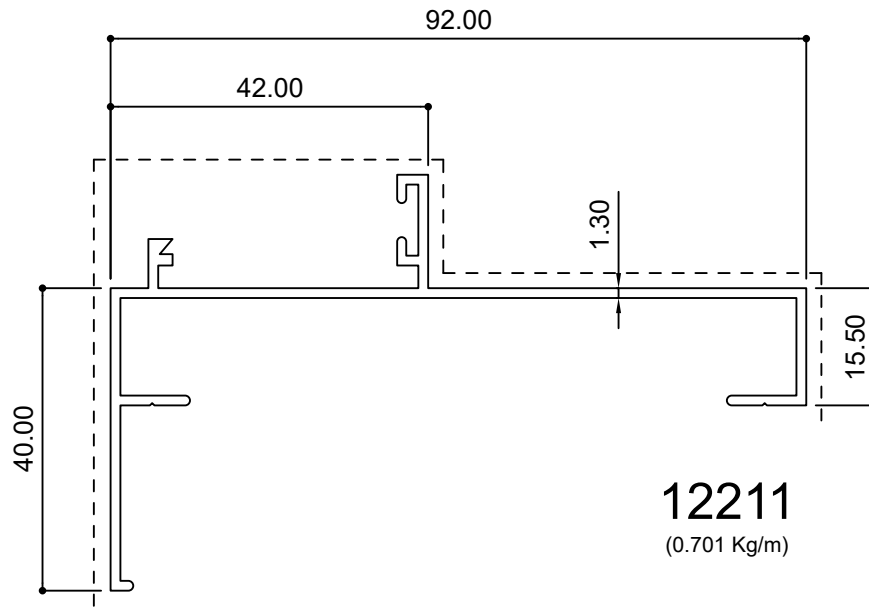
* For export, not recommended for GCC usage

Frame Profiles 42mm

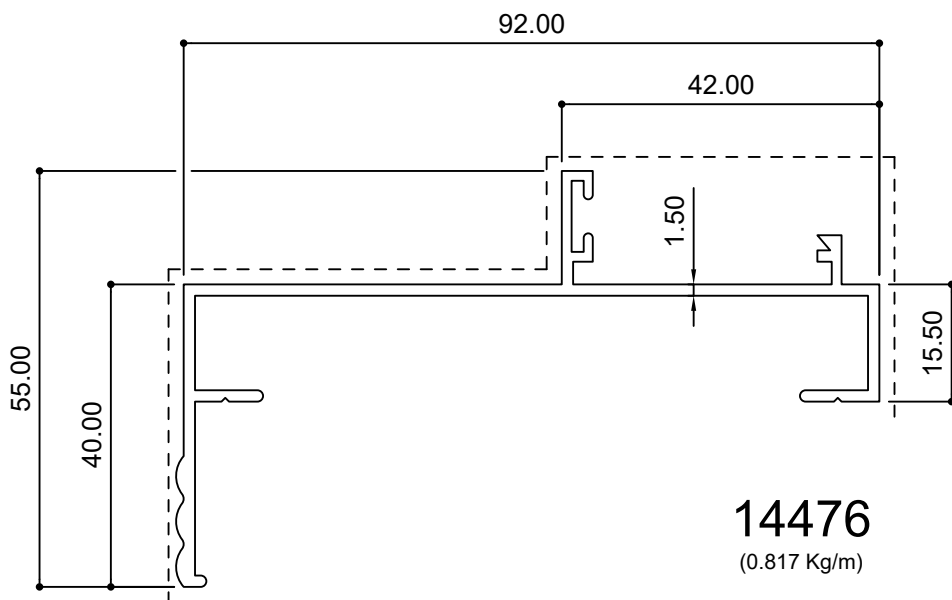
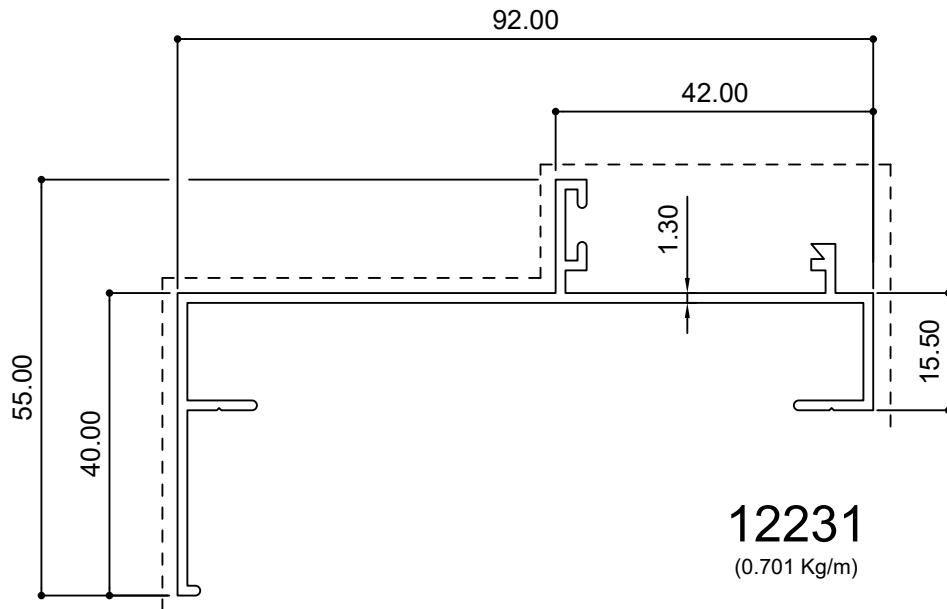


* For export, not recommended for GCC usage

Frame Profiles 42mm

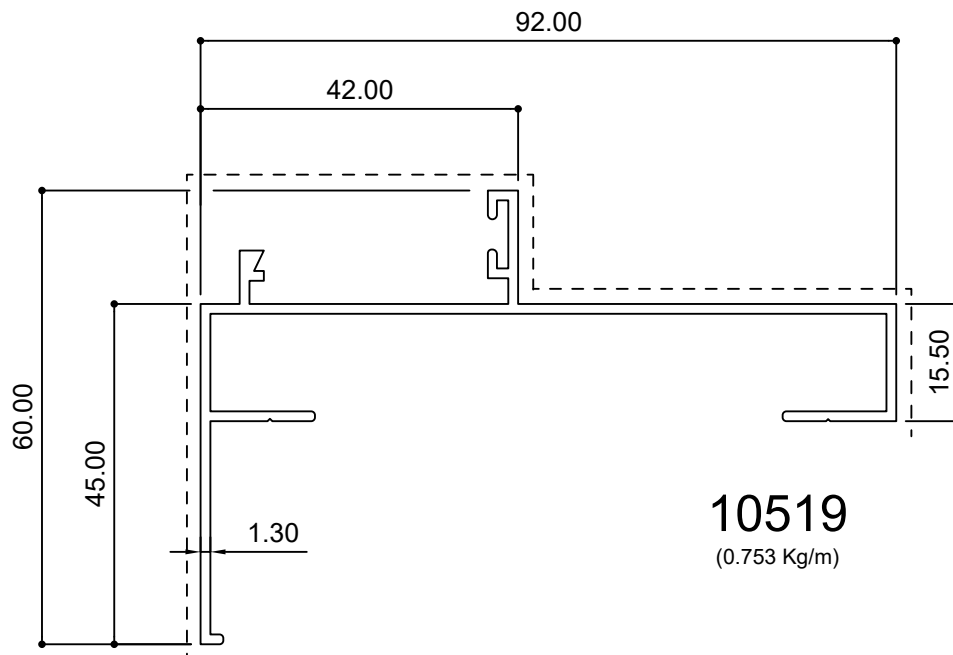
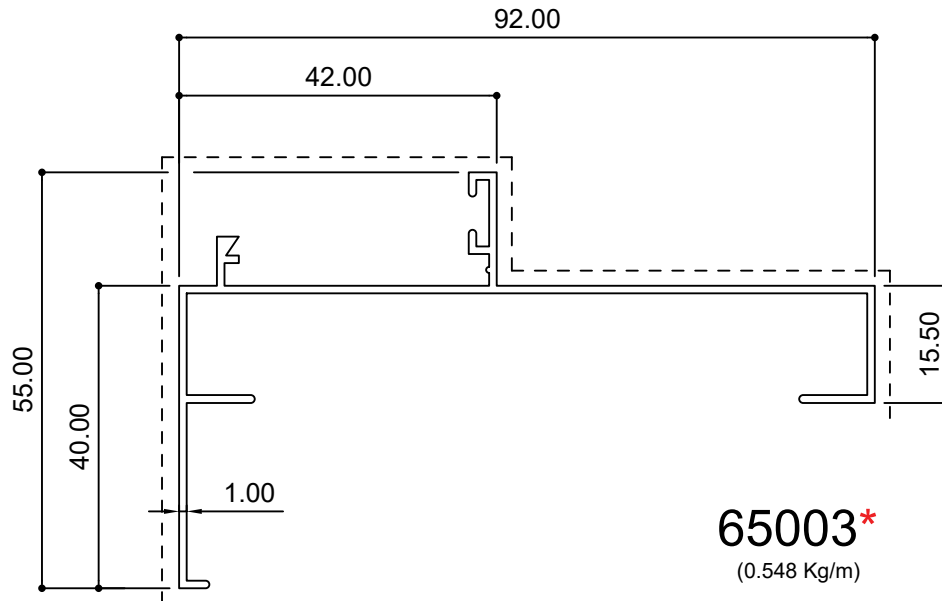


* For export, not recommended for GCC usage



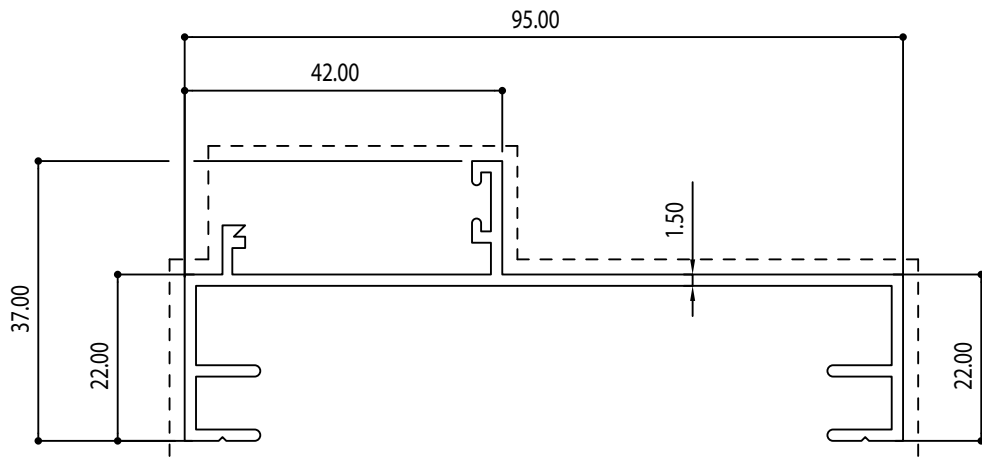
* For export, not recommended for GCC usage

Frame Profiles 42mm

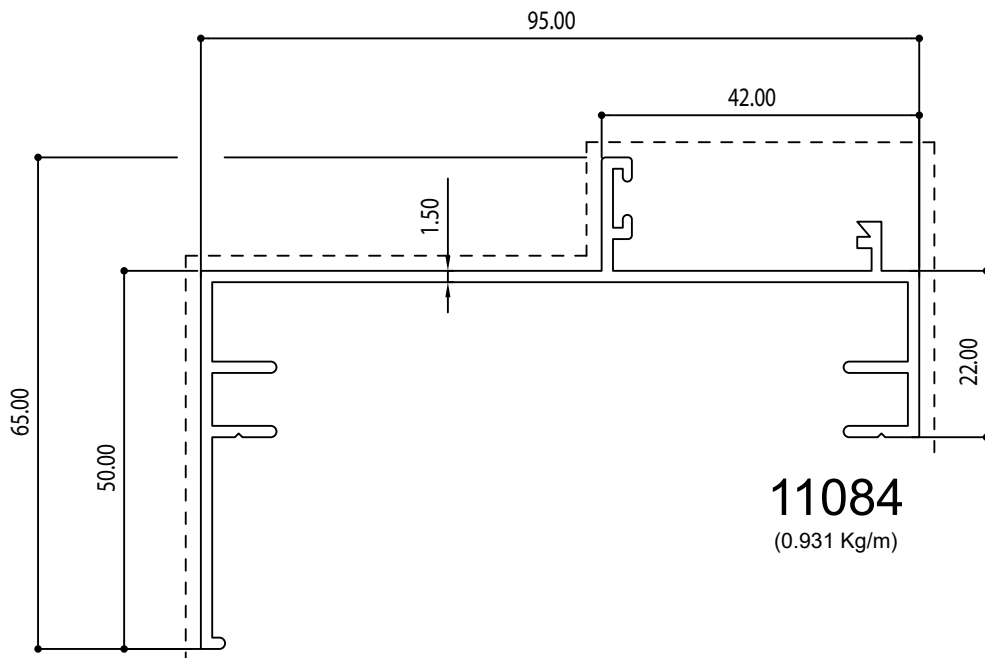


* For export, not recommended for GCC usage

Frame Profiles 42mm



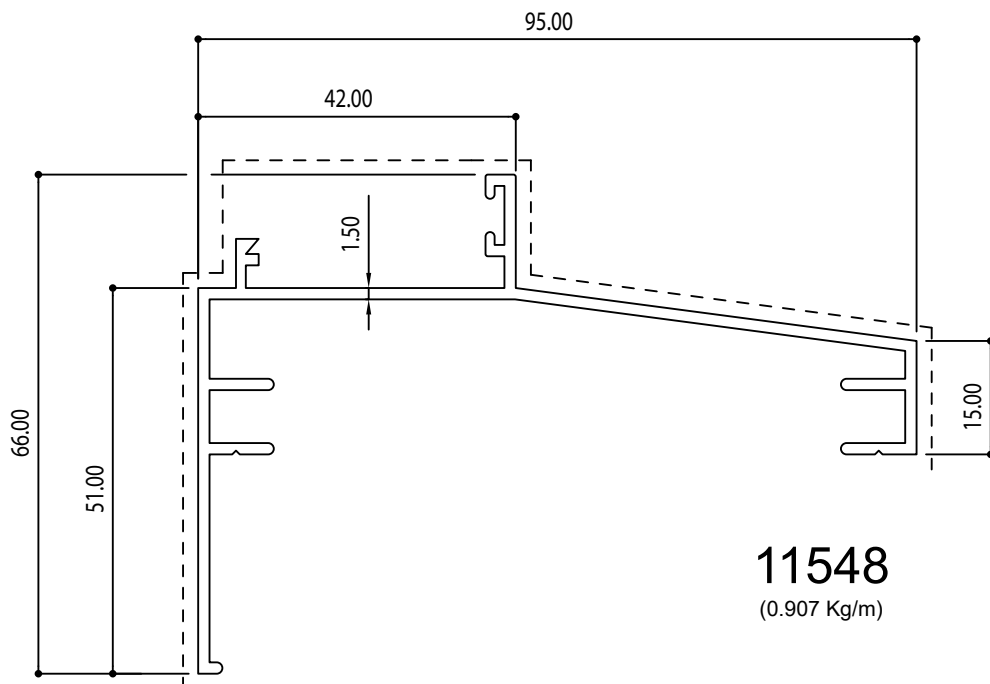
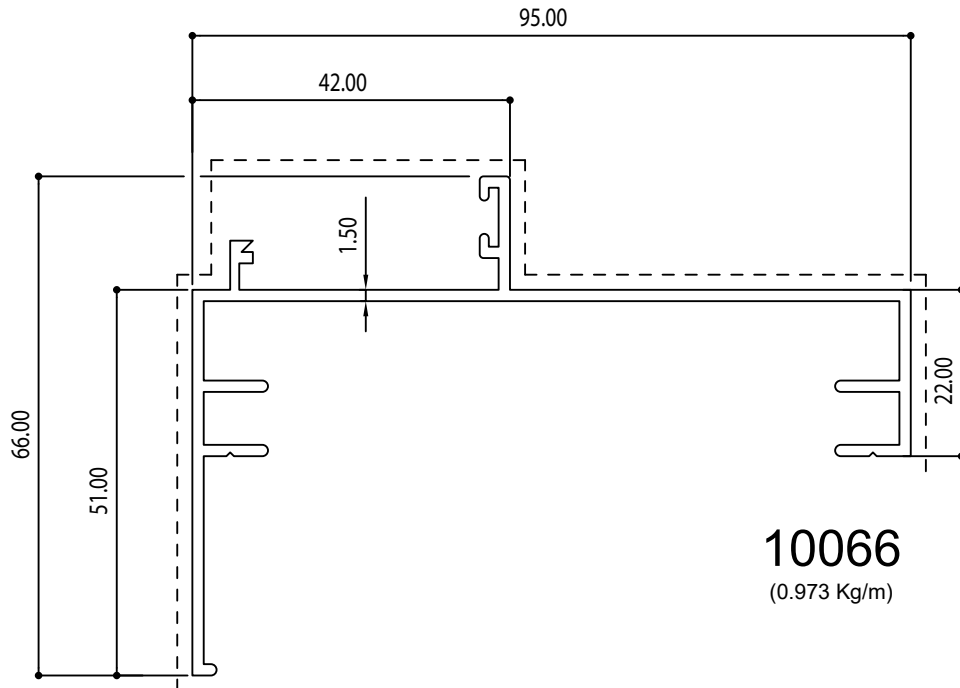
10738
(0.810 Kg/m)



11084
(0.931 Kg/m)

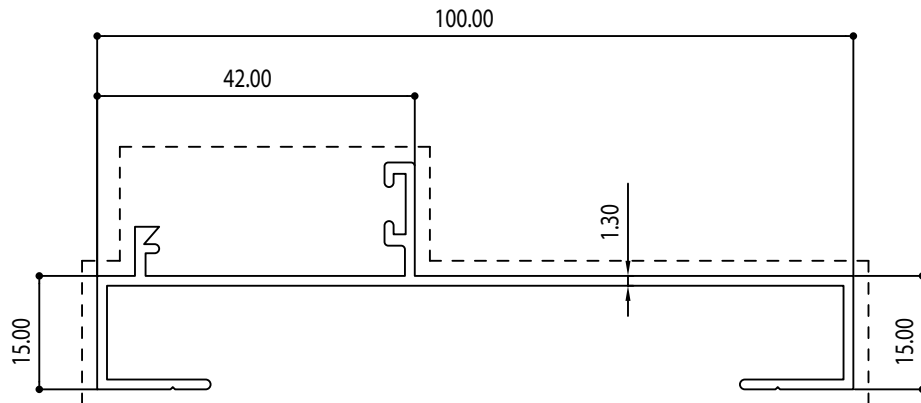
* For export, not recommended for GCC usage

Frame Profiles 42mm

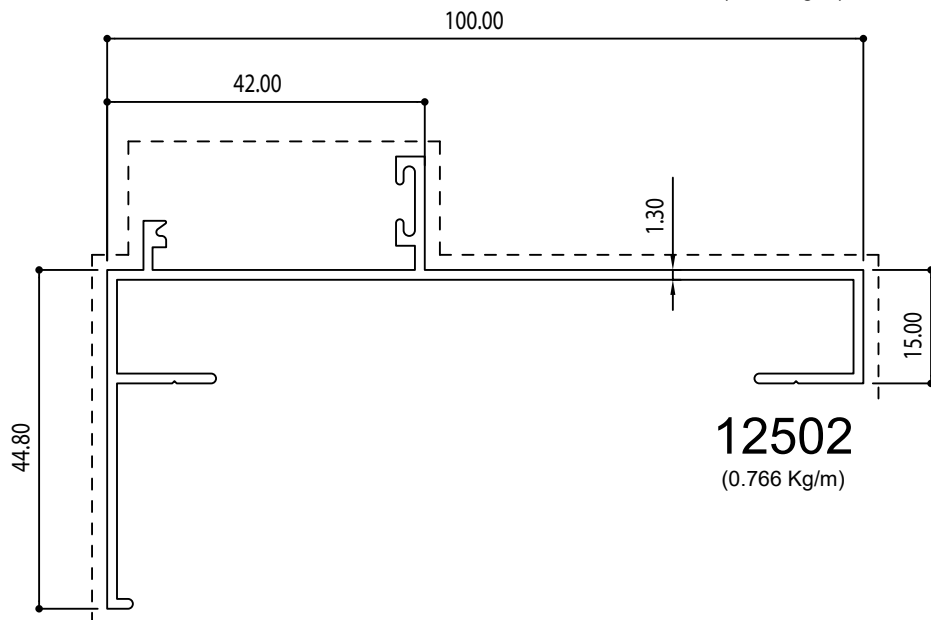


* For export, not recommended for GCC usage

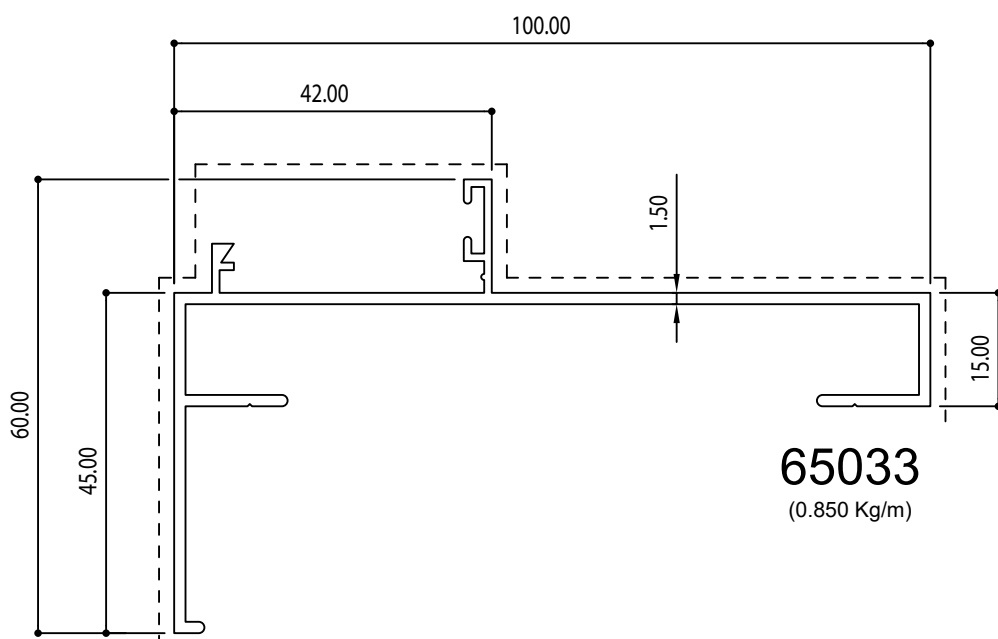
Frame Profiles 42mm



12436
(0.659 Kg/m)



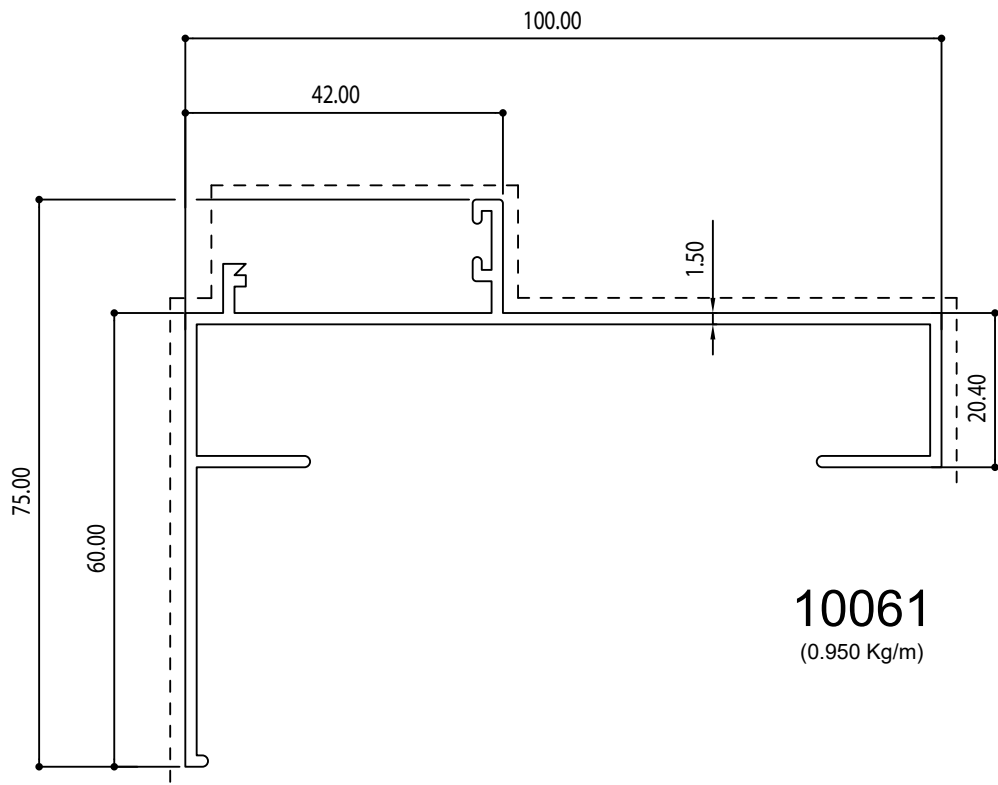
12502
(0.766 Kg/m)



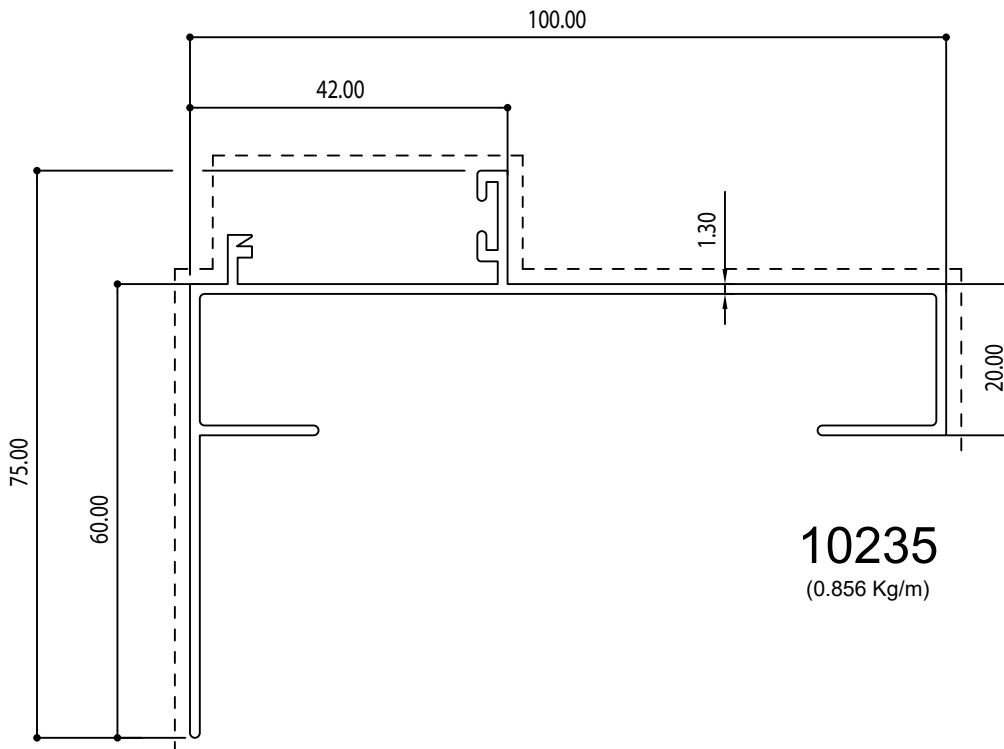
65033
(0.850 Kg/m)

* For export, not recommended for GCC usage

Frame Profiles 42mm



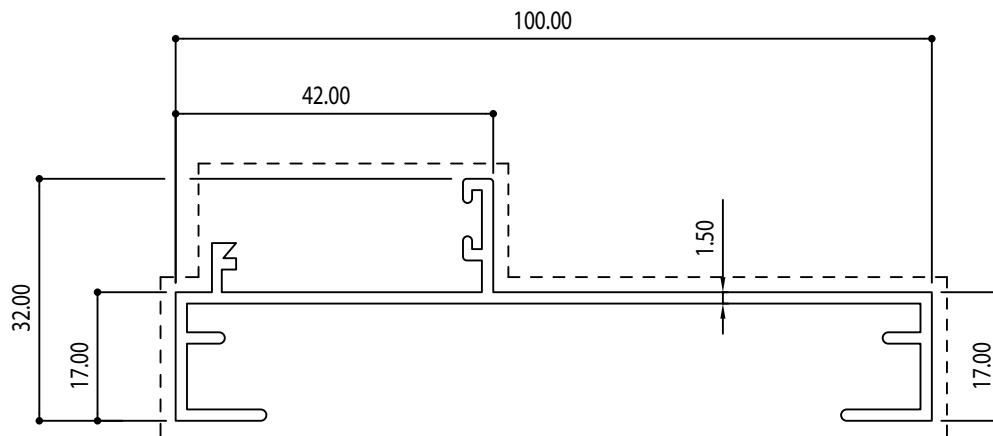
10061
(0.950 Kg/m)



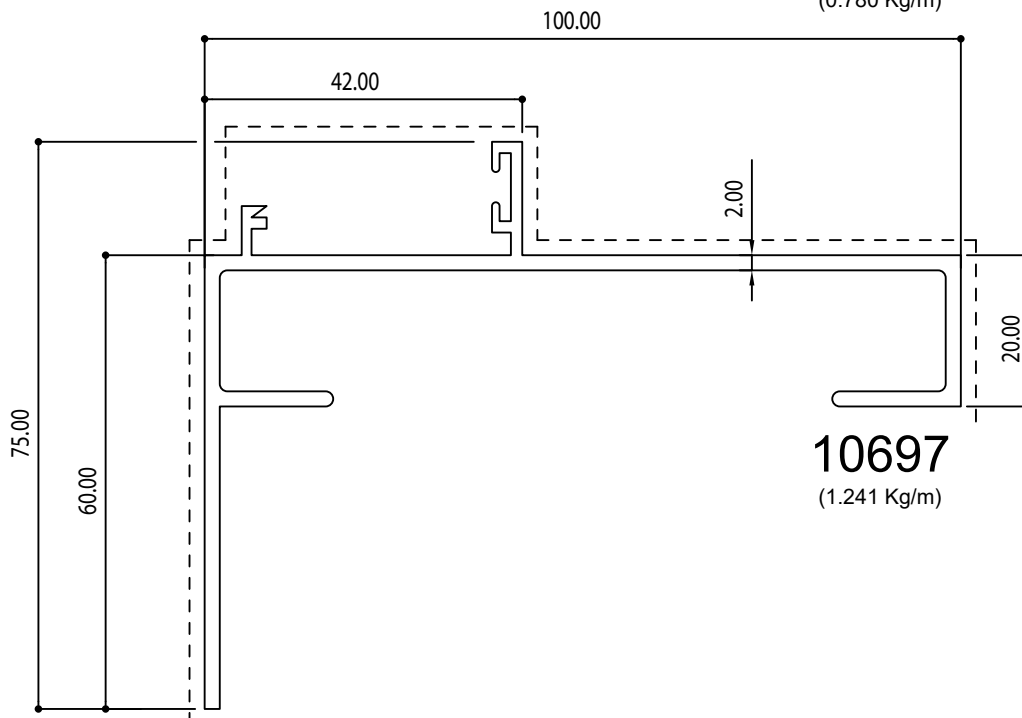
10235
(0.856 Kg/m)

* For export, not recommended for GCC usage

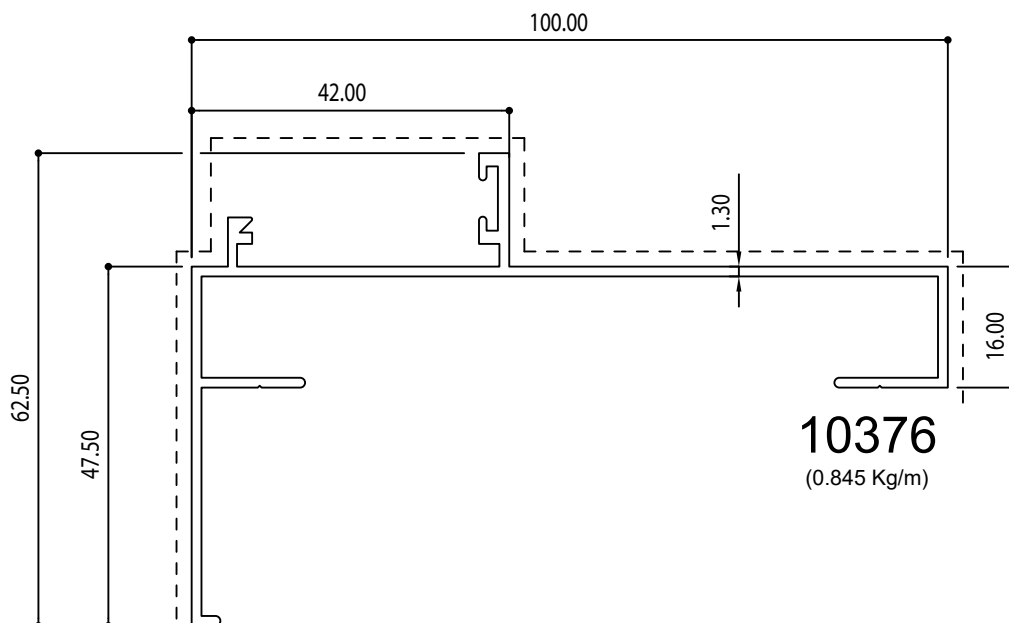
Frame Profiles 42mm



14173
(0.780 Kg/m)



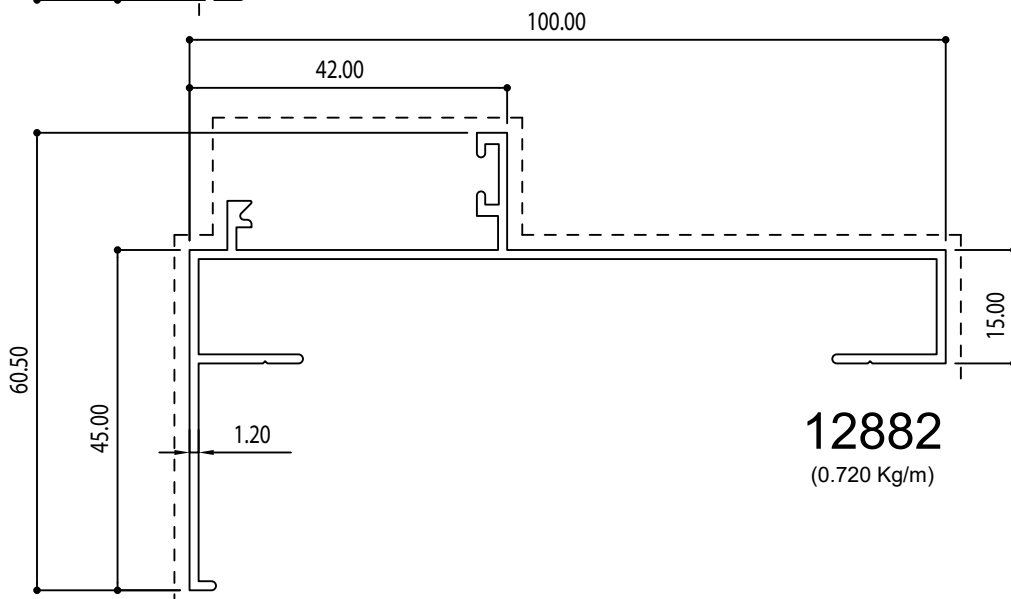
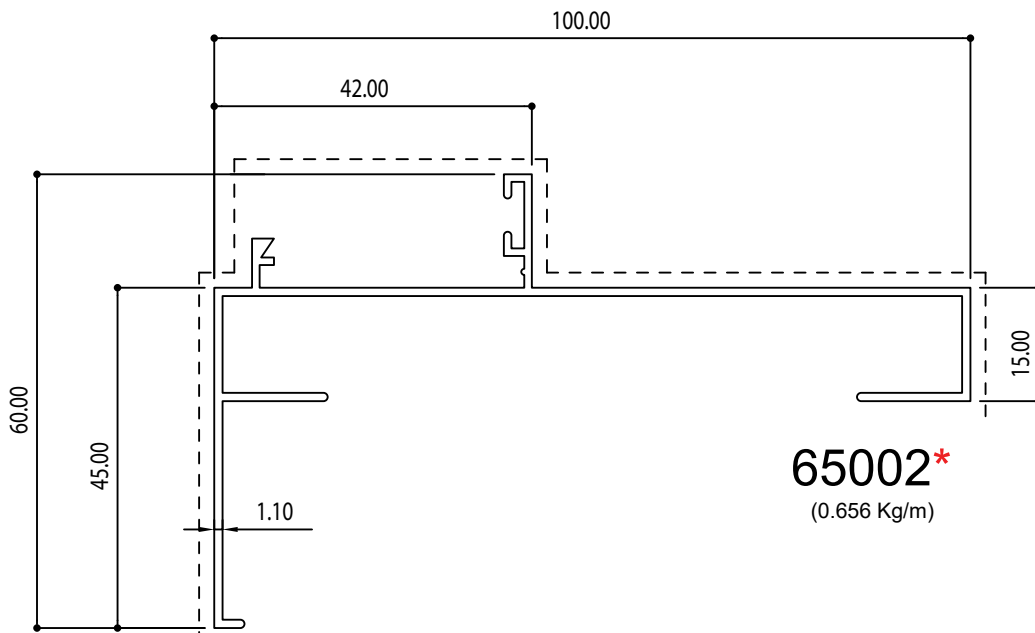
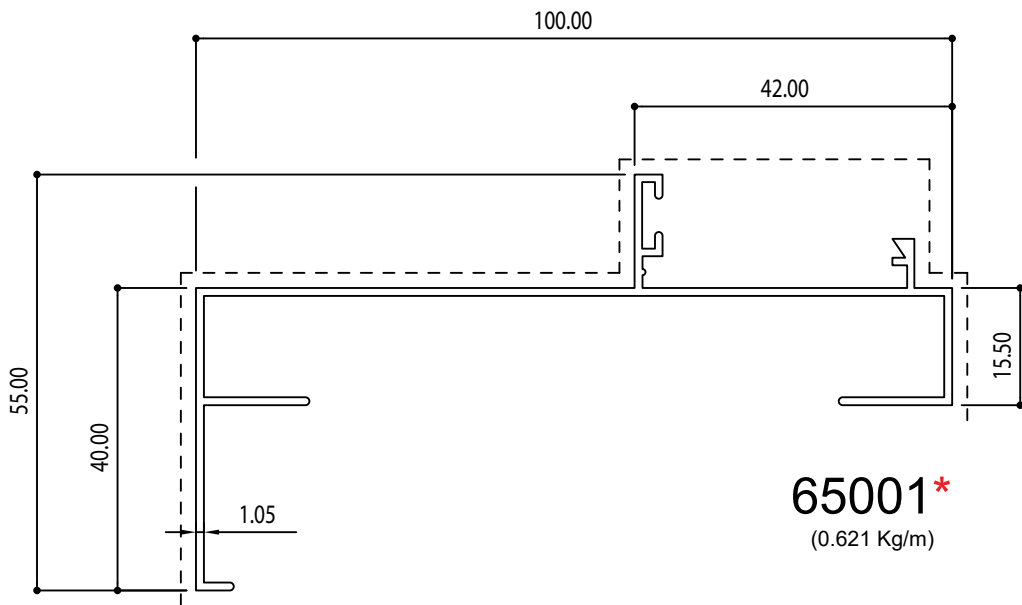
10697
(1.241 Kg/m)



10376
(0.845 Kg/m)

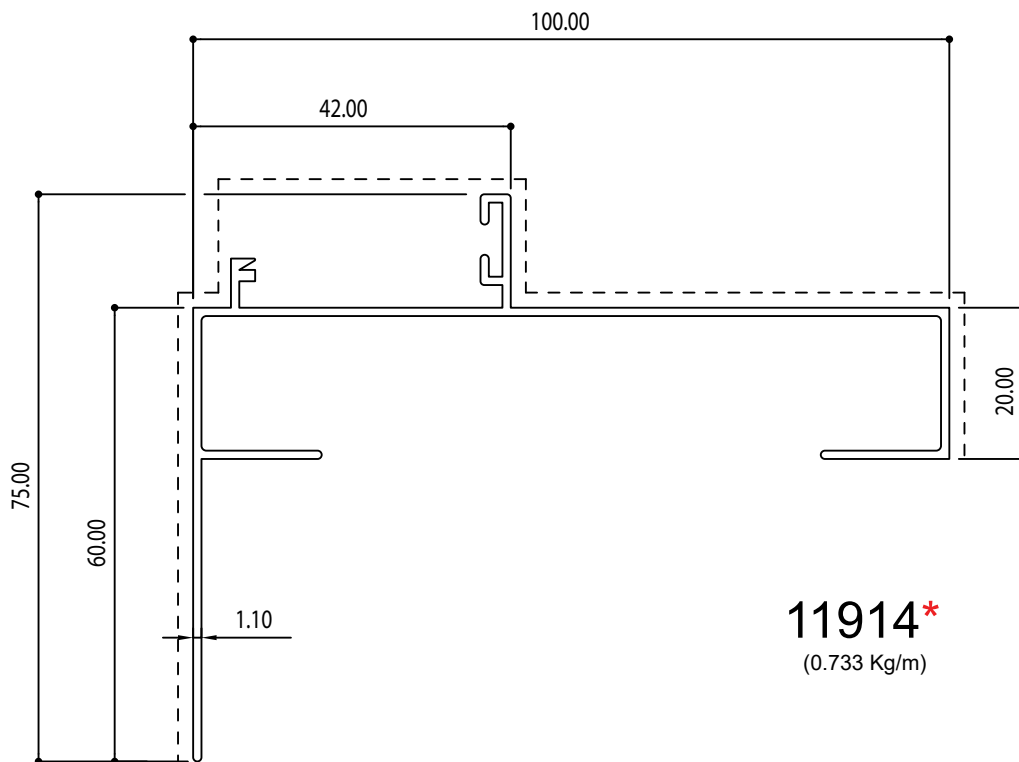
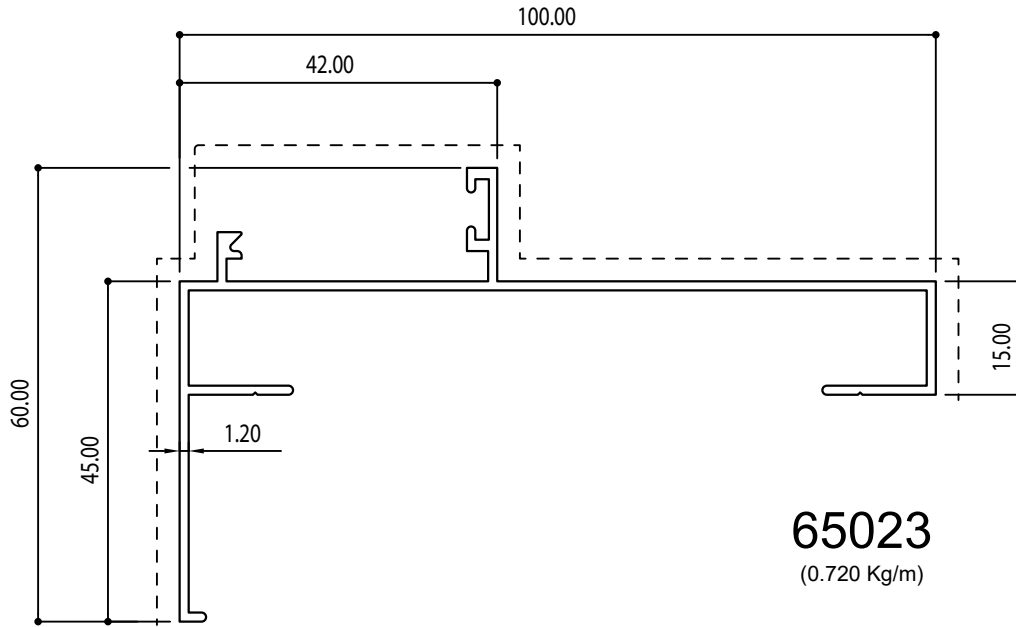
* For export, not recommended for GCC usage

Frame Profiles 42mm

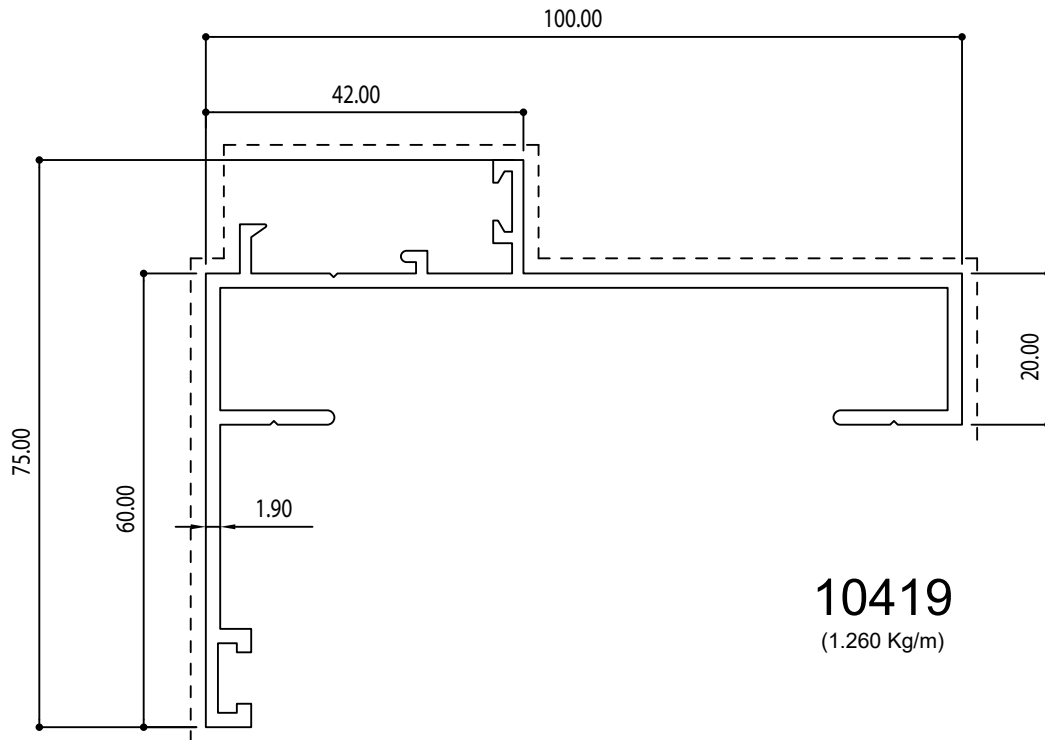


* For export, not recommended for GCC usage

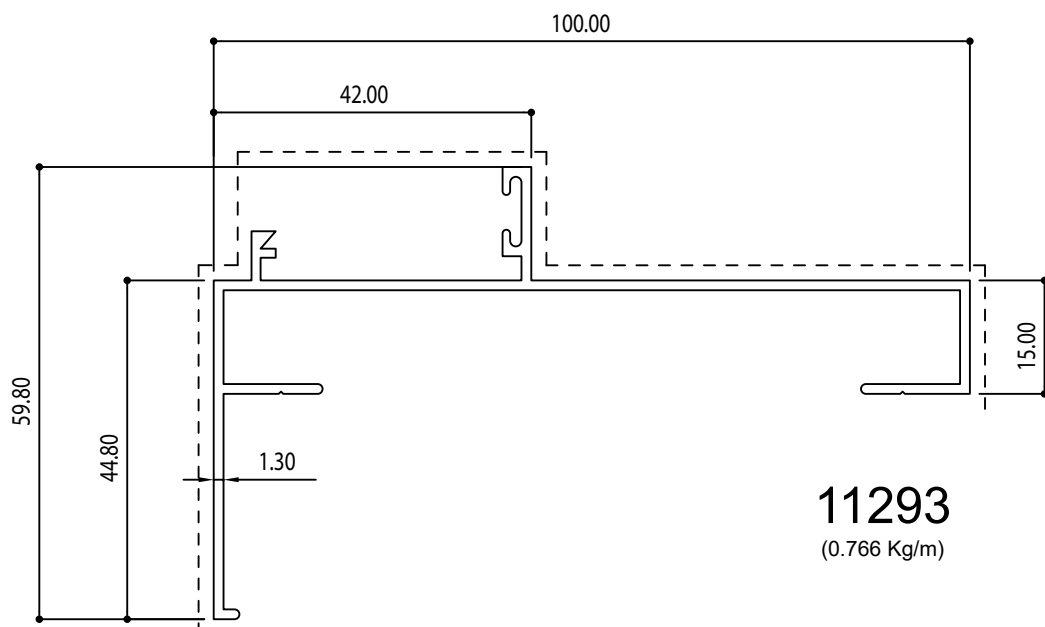
Frame Profiles 42mm



* For export, not recommended for GCC usage

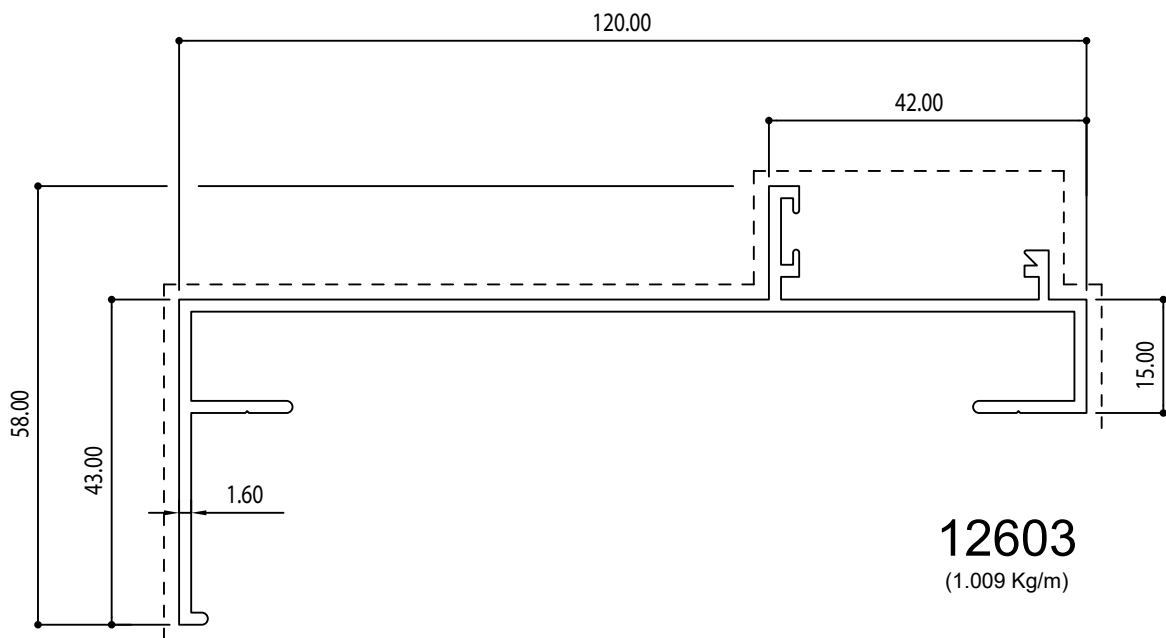


10419
(1.260 Kg/m)



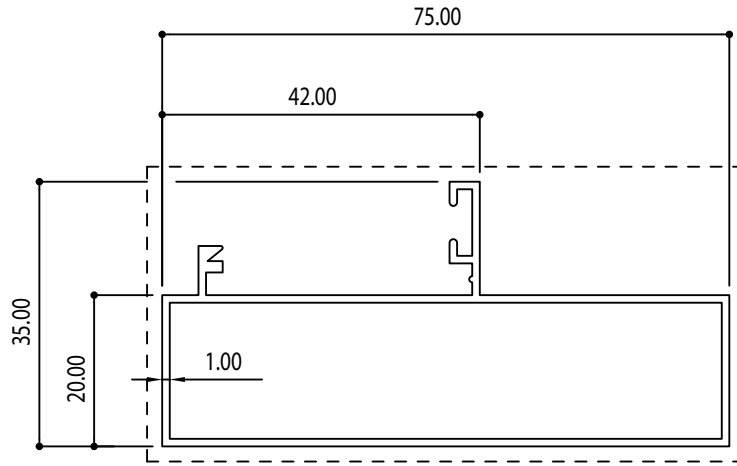
11293
(0.766 Kg/m)

* For export, not recommended for GCC usage

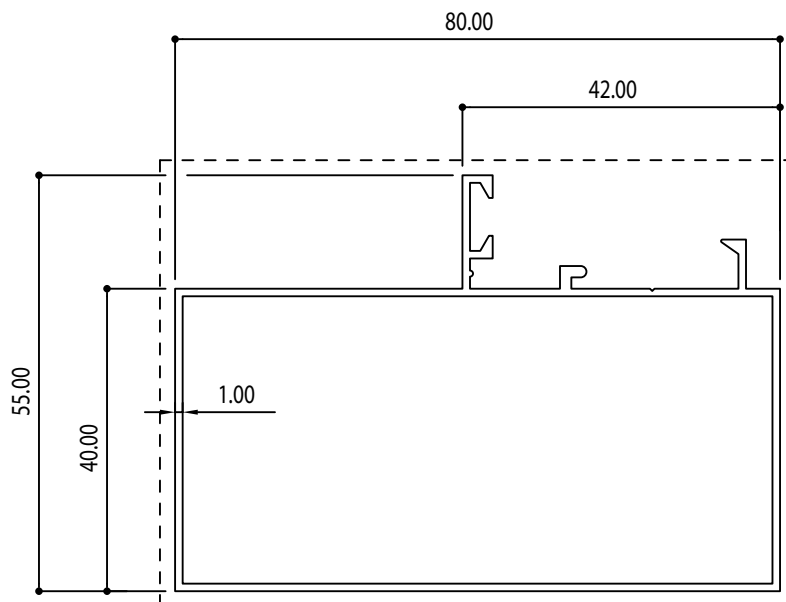


* For export, not recommended for GCC usage

Frame Profiles 42mm



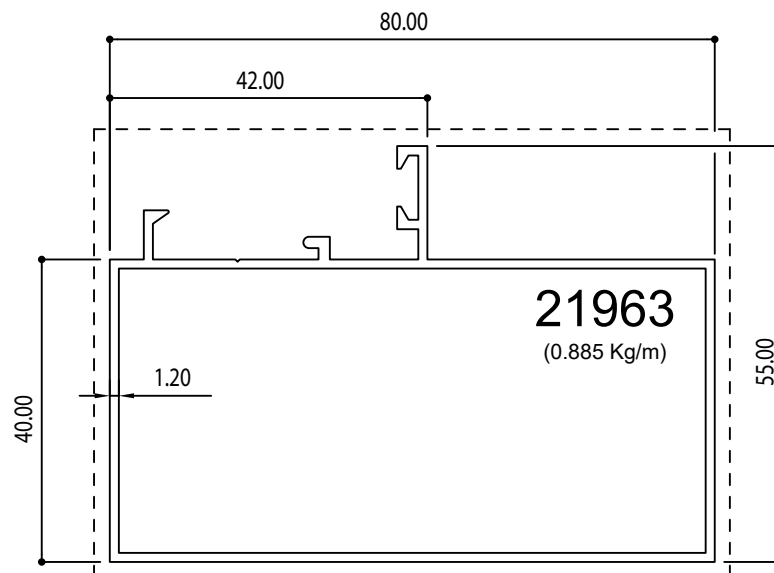
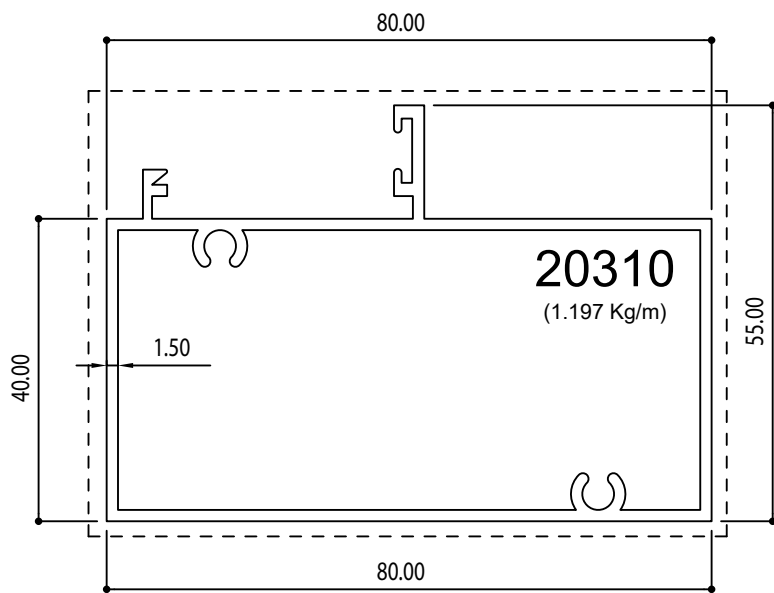
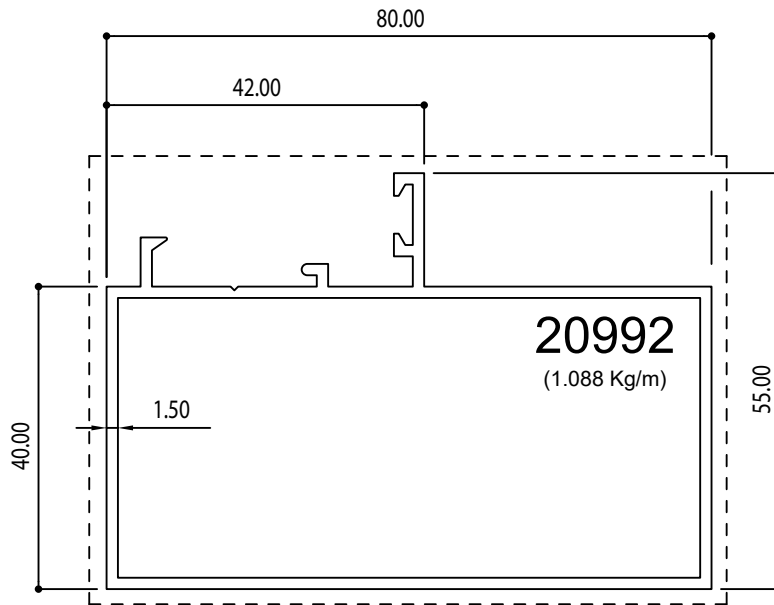
60034*
(0.604 Kg/m)



60035*
(0.749 Kg/m)

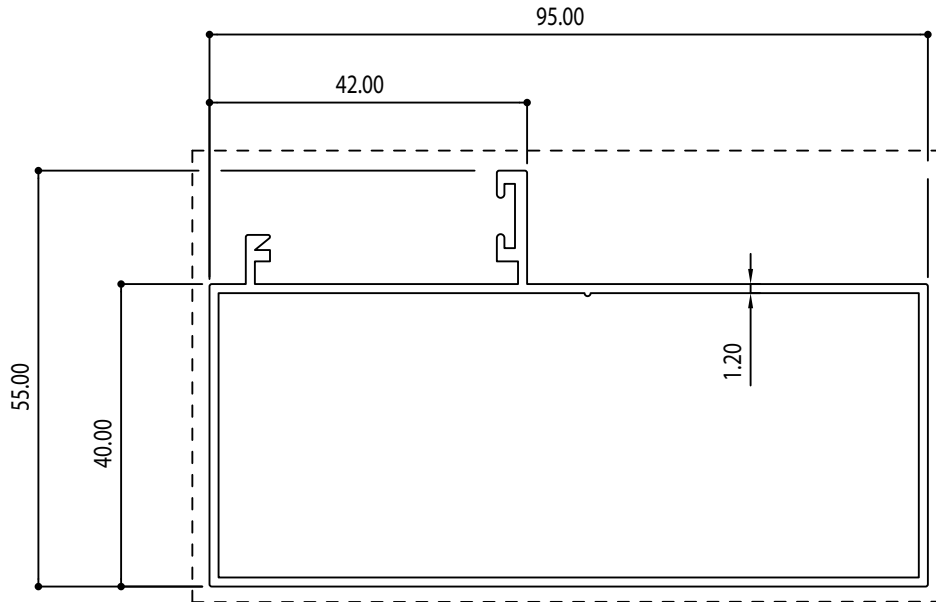
* For export, not recommended for GCC usage

Frame Profiles 42mm

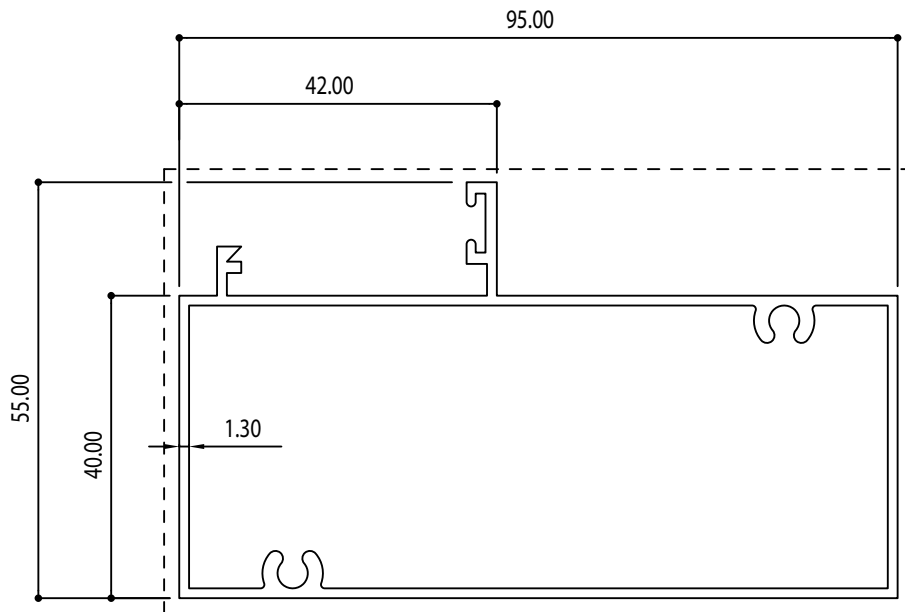


* For export, not recommended for GCC usage

Frame Profiles 42mm



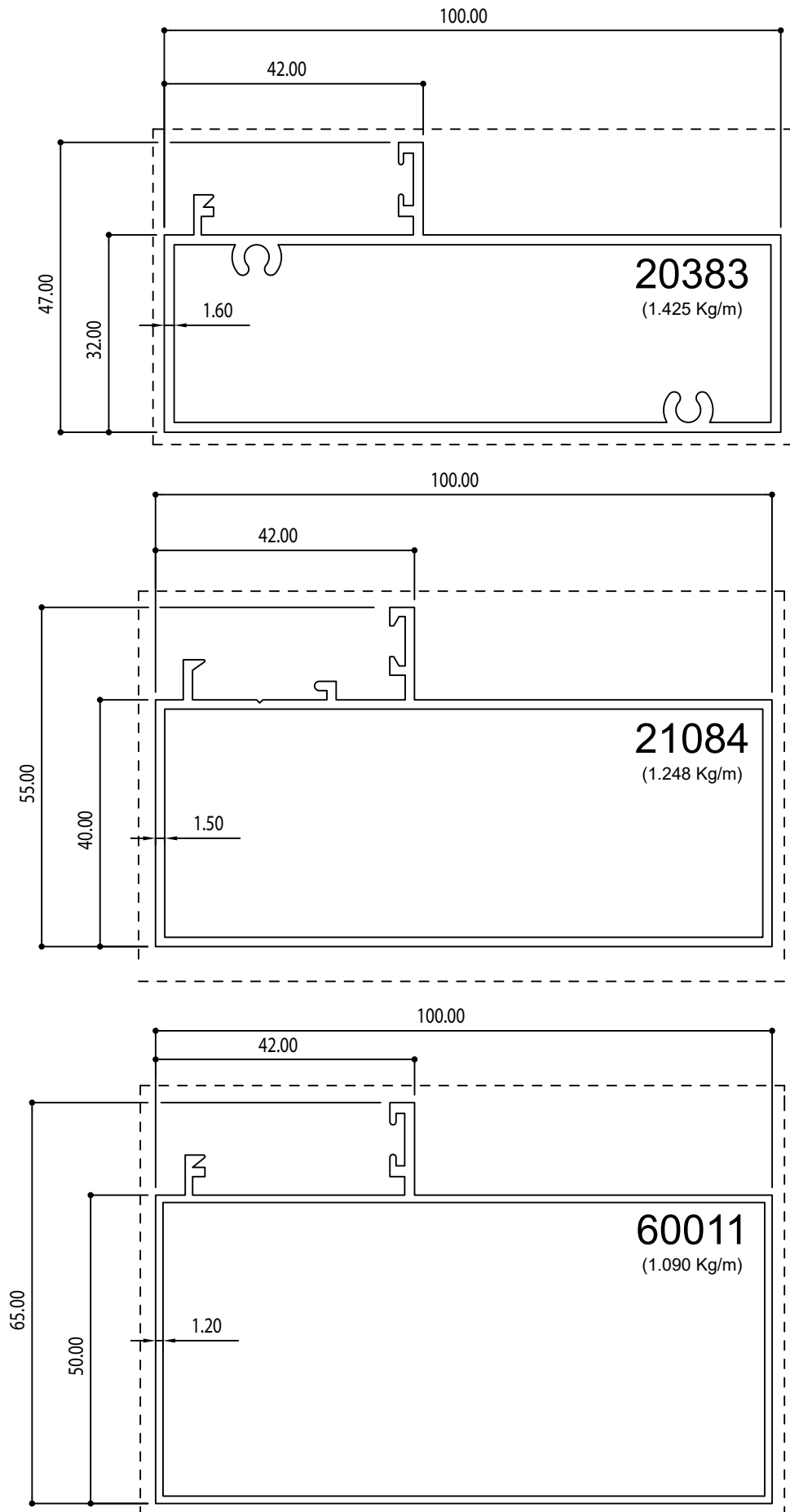
60019
(0.986 Kg/m)



21027
(1.167 Kg/m)

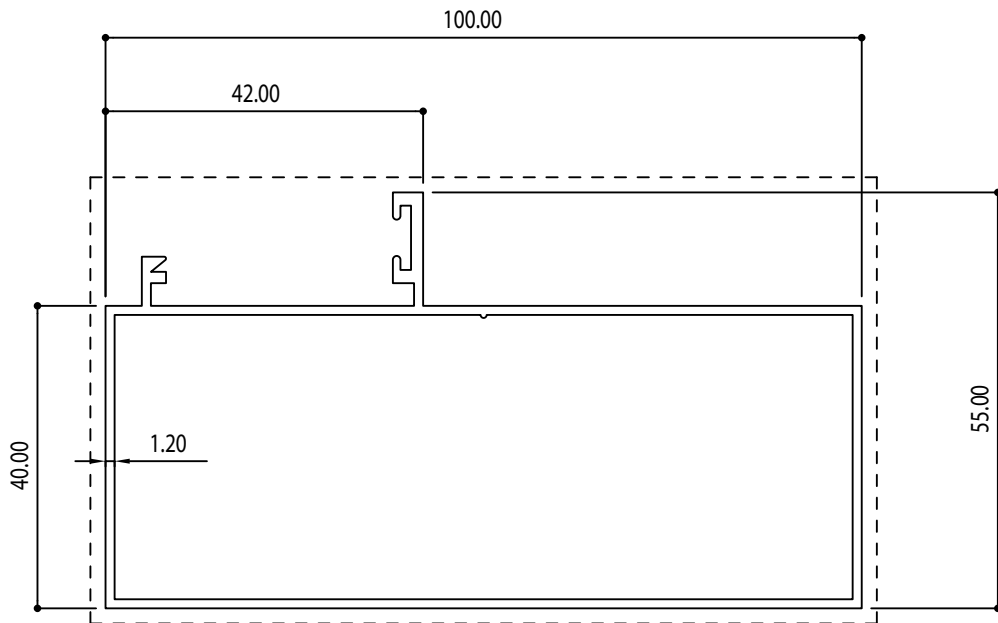
* For export, not recommended for GCC usage

Frame Profiles 42mm

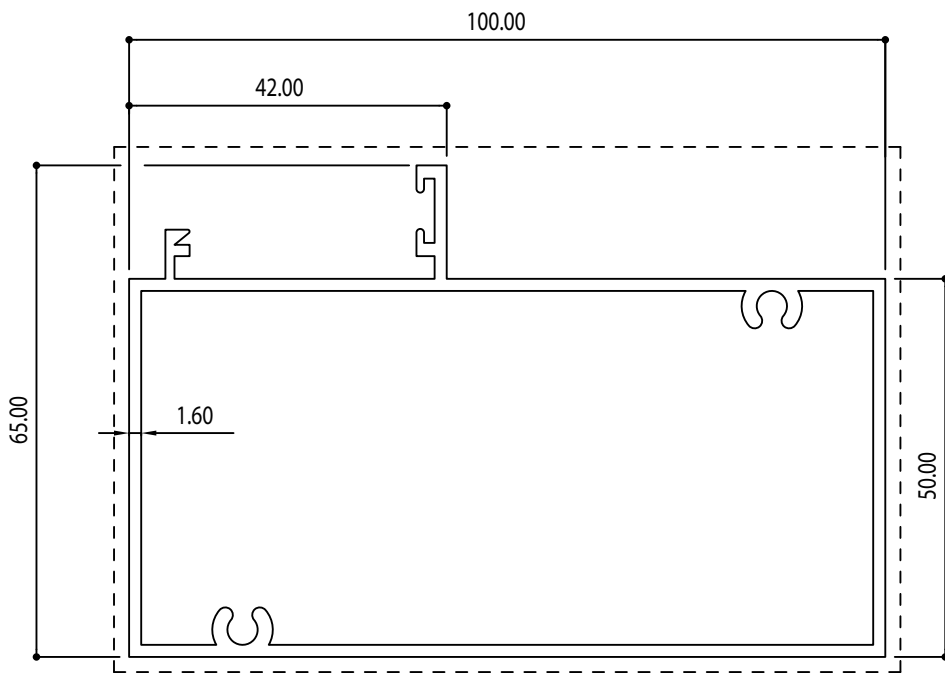


* For export, not recommended for GCC usage

Frame Profiles 42mm



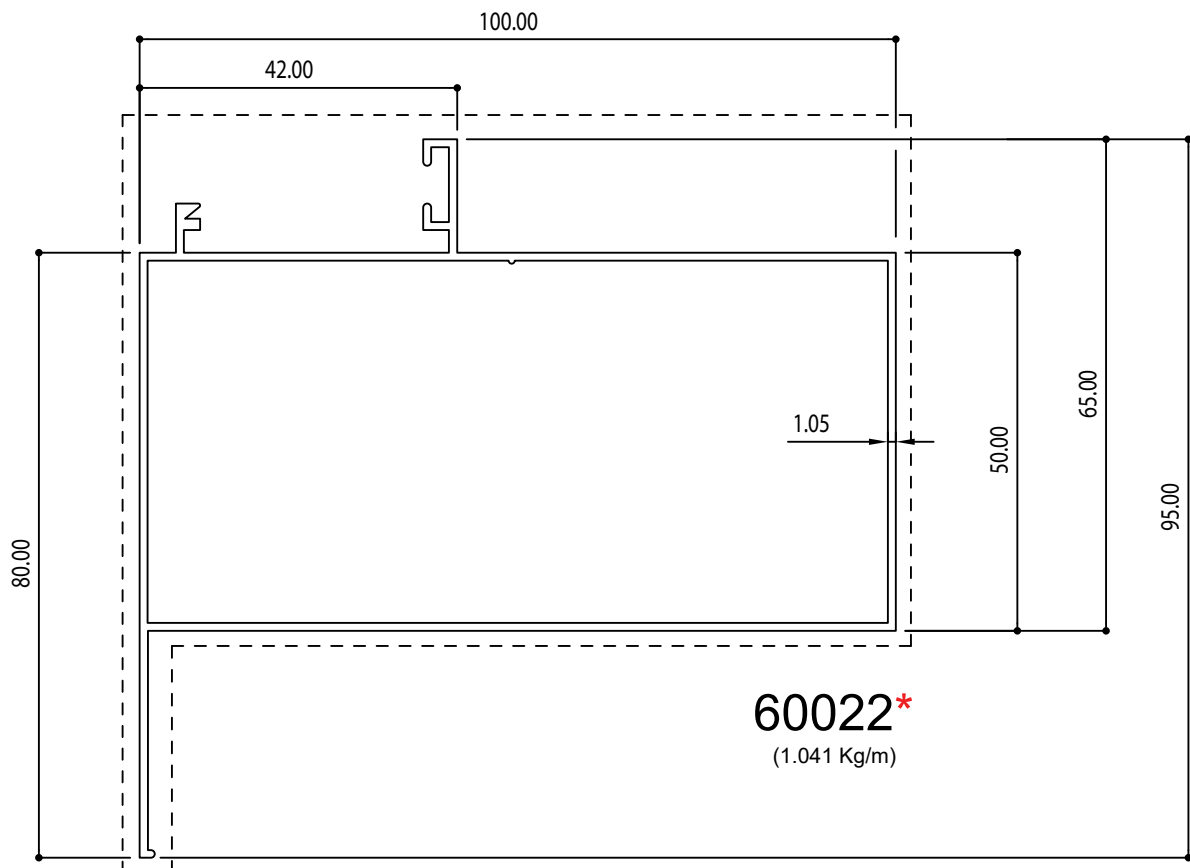
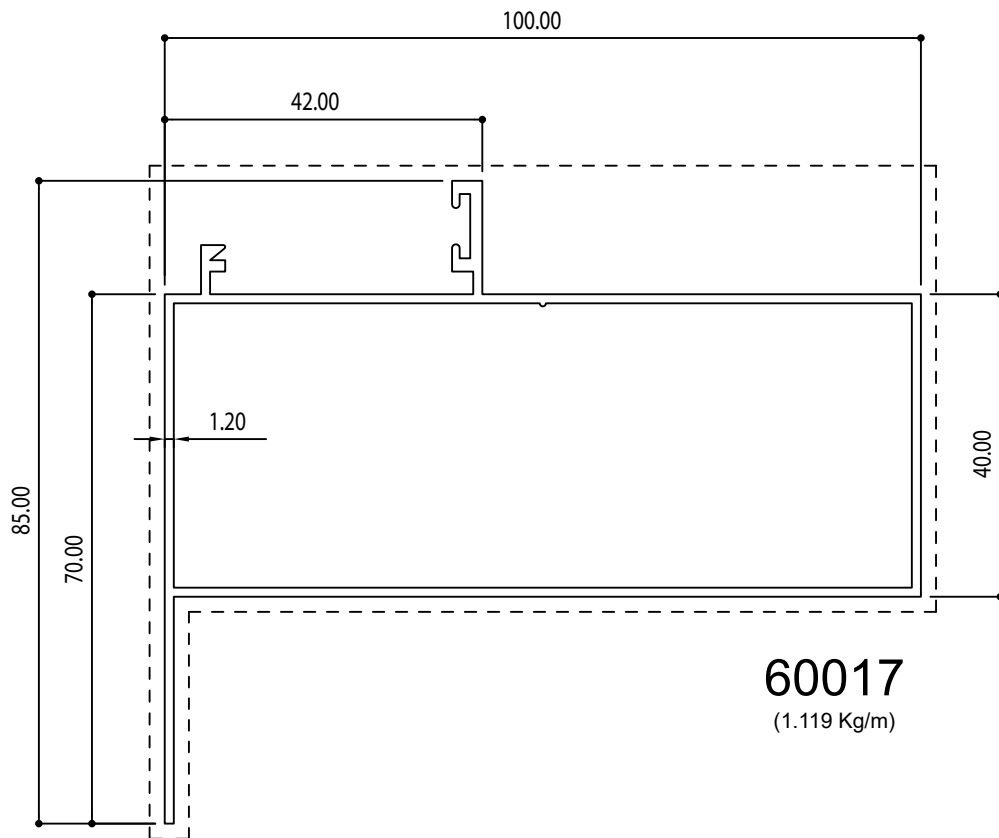
60018
(1.021 Kg/m)



20308
(1.512 Kg/m)

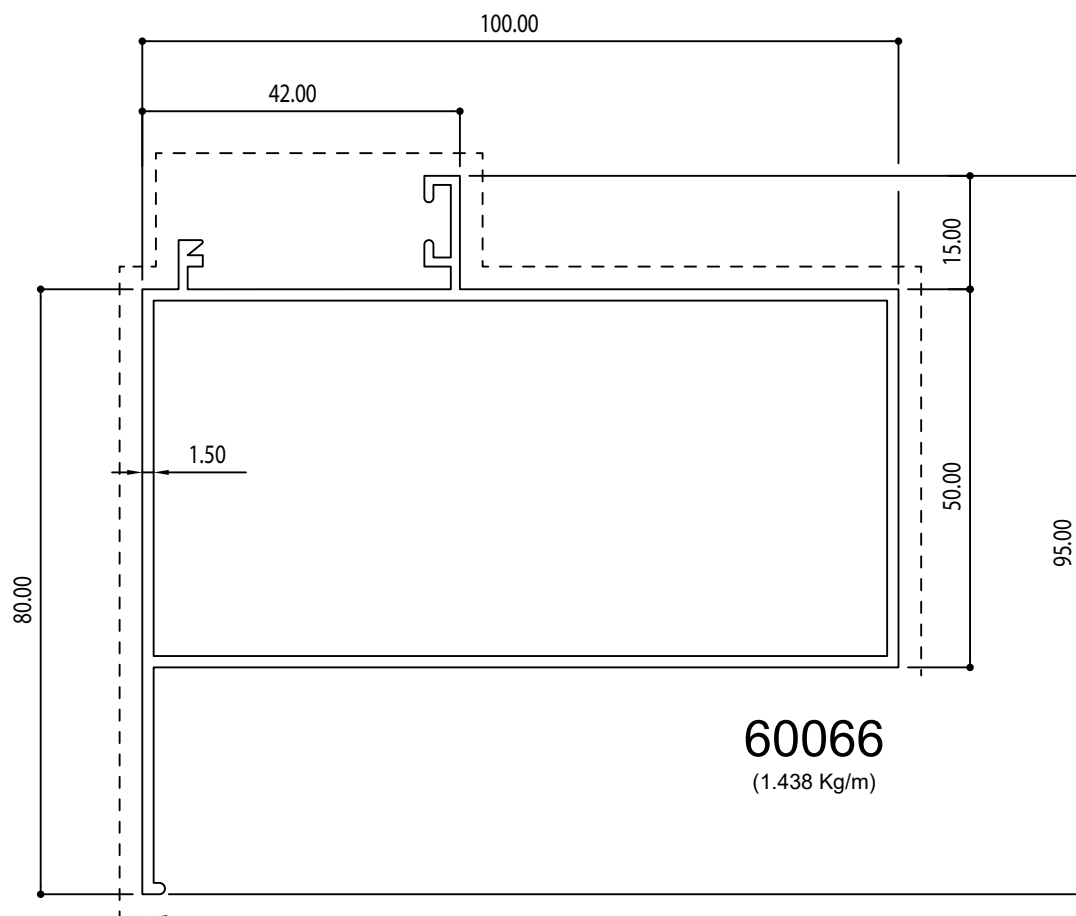
* For export, not recommended for GCC usage

Frame Profiles 42mm



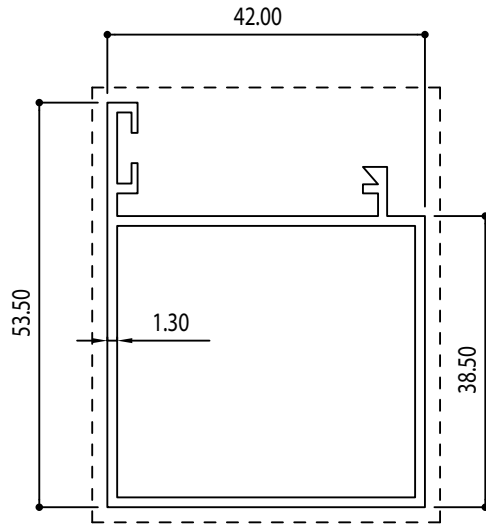
* For export, not recommended for GCC usage

Frame Profiles 42mm

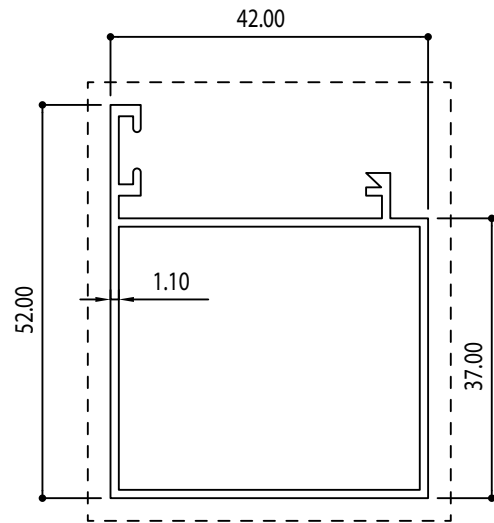


* For export, not recommended for GCC usage

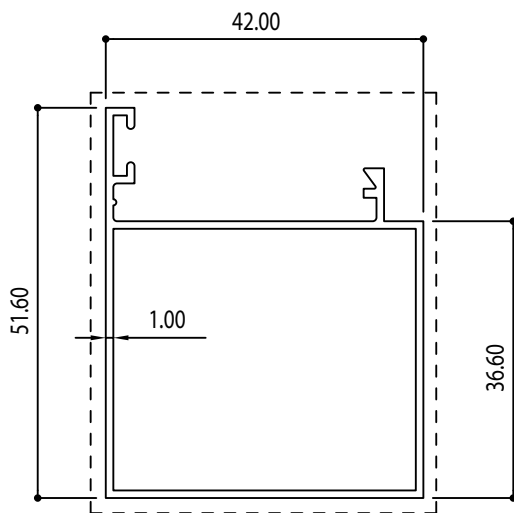
Frame Profiles 42mm



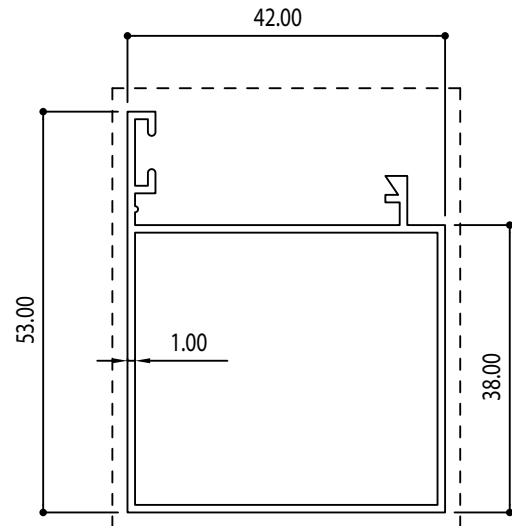
21253
(0.664 Kg/m)



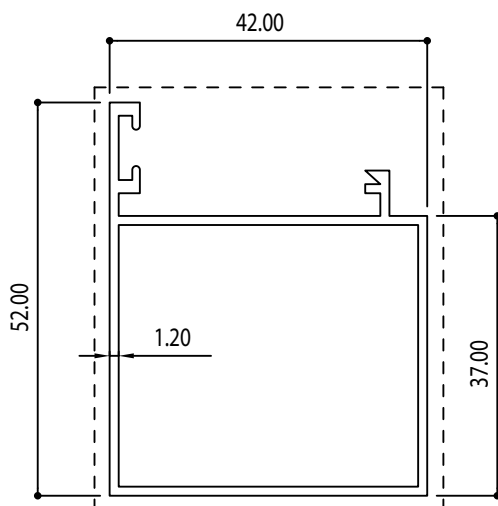
21914*
(0.565 Kg/m)



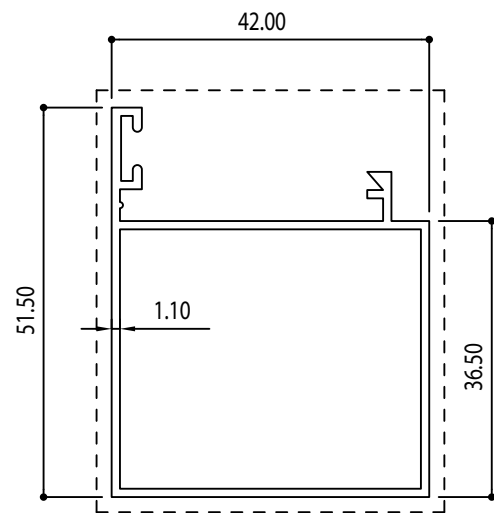
60029*
(0.510 Kg/m)



60009*
(0.518 Kg/m)



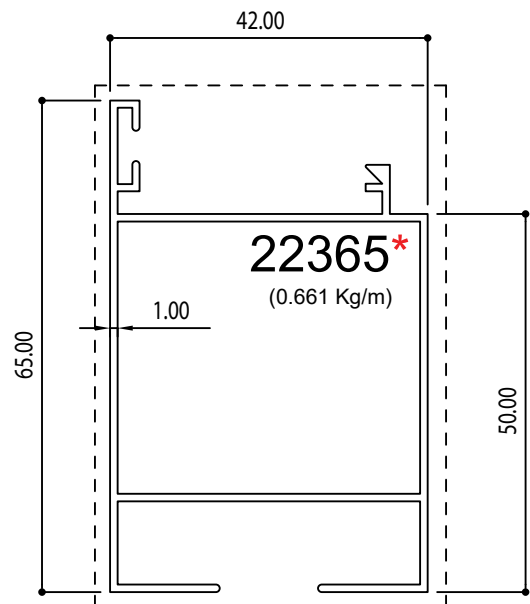
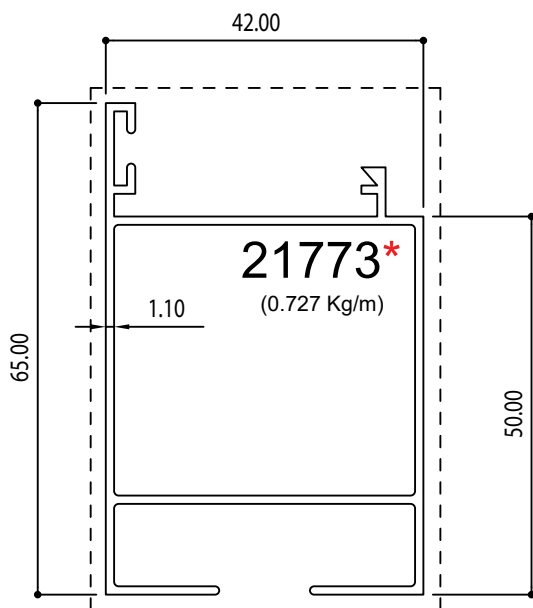
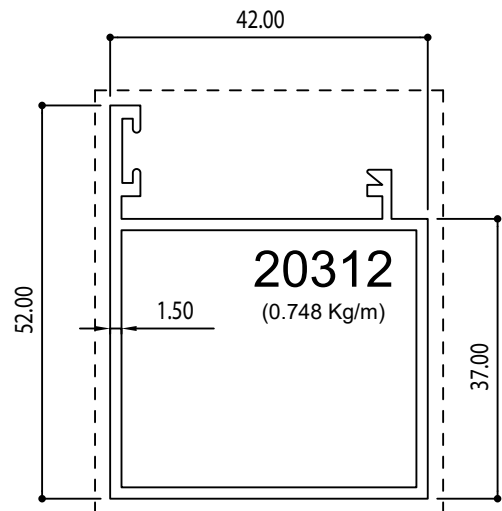
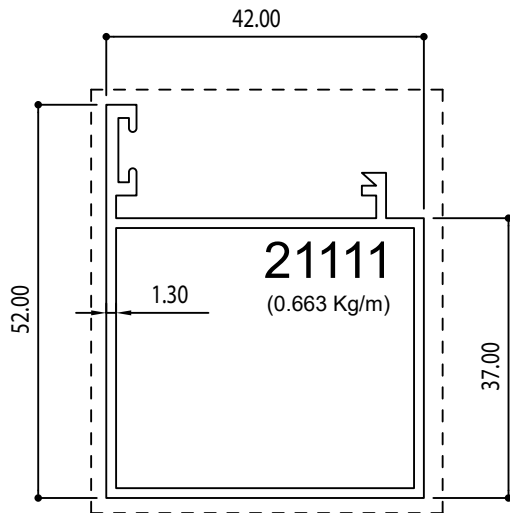
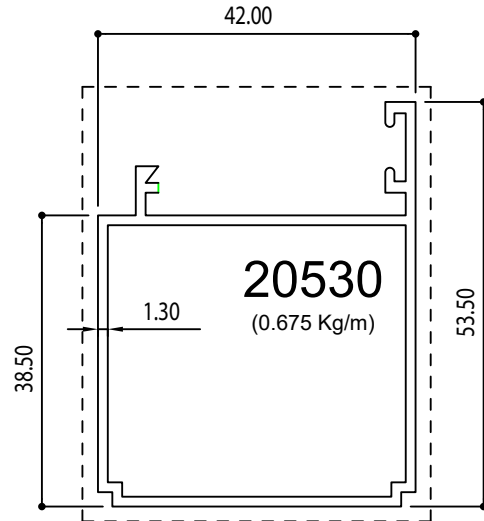
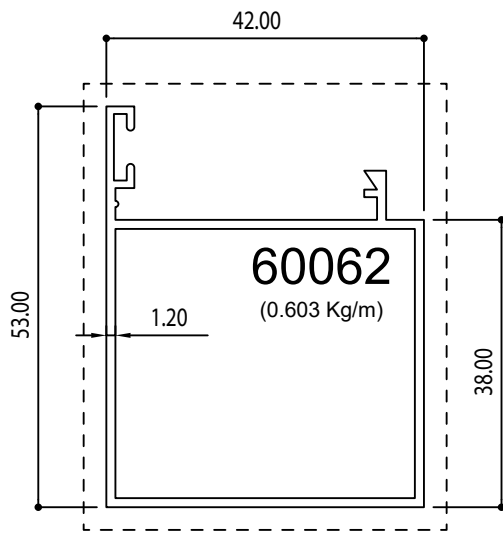
21572
(0.612 Kg/m)



23081*
(0.564 Kg/m)

* For export, not recommended for GCC usage

Frame Profiles 42mm



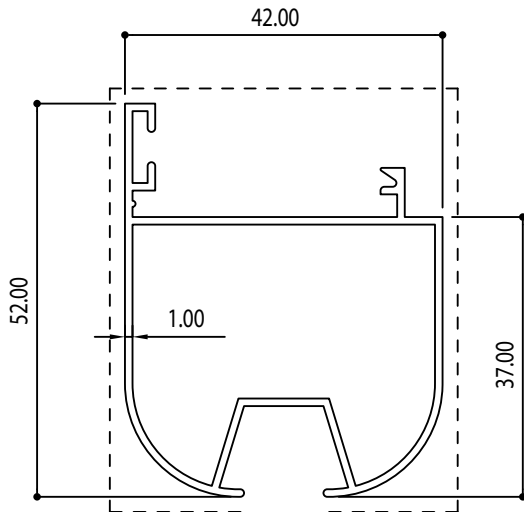
* For export, not recommended for GCC usage

Frame Profiles 42mm

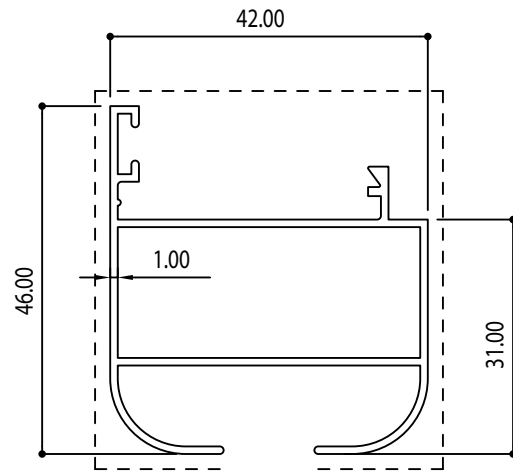


* For export, not recommended for GCC usage

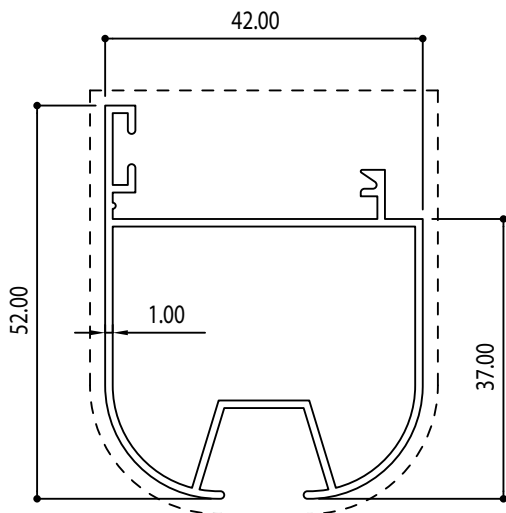
Frame Profiles 42mm



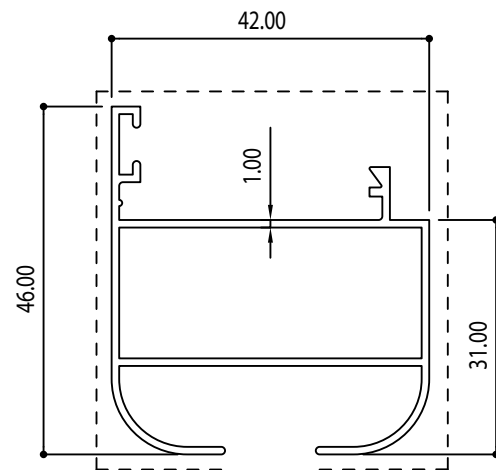
60032*
(0.548 Kg/m)



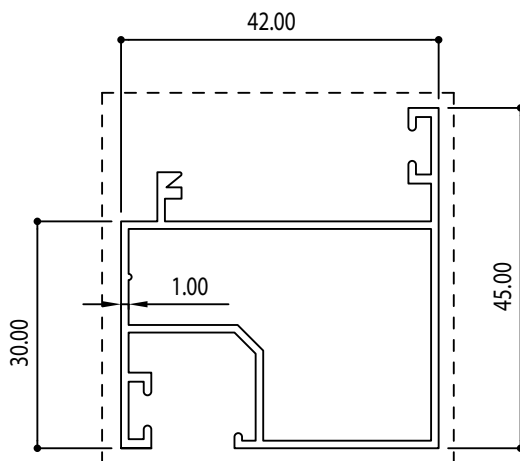
60026*
(0.532 Kg/m)



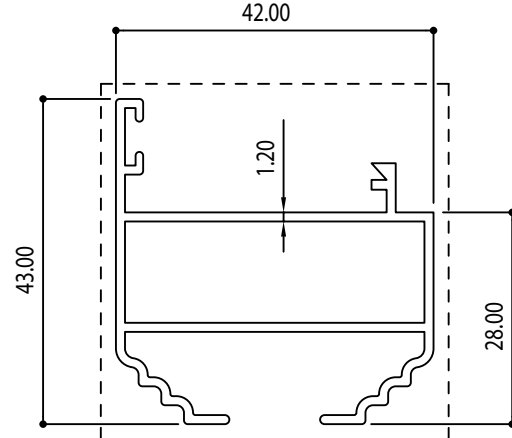
60027*
(0.548 Kg/m)



60038*
(0.532 Kg/m)



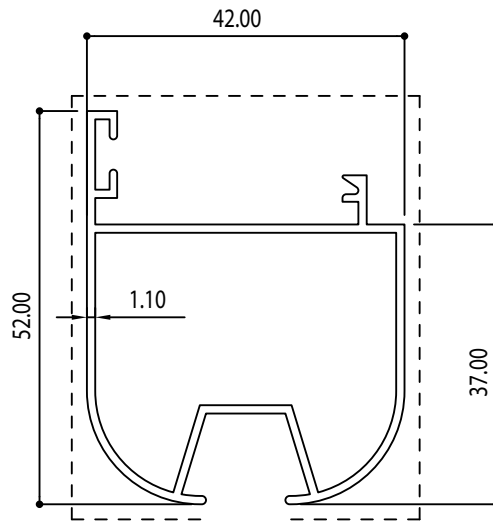
60021*
(0.556 Kg/m)



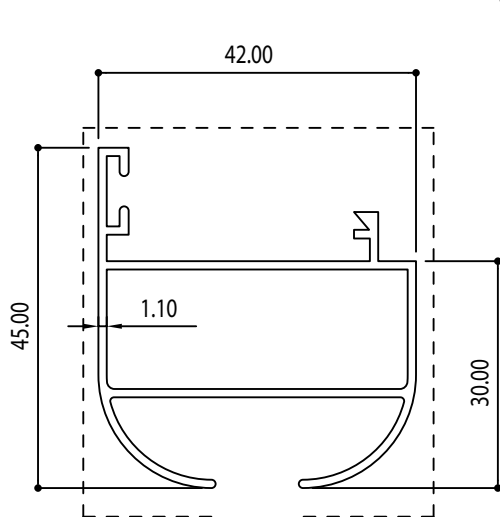
21605
(0.615 Kg/m)

* For export, not recommended for GCC usage

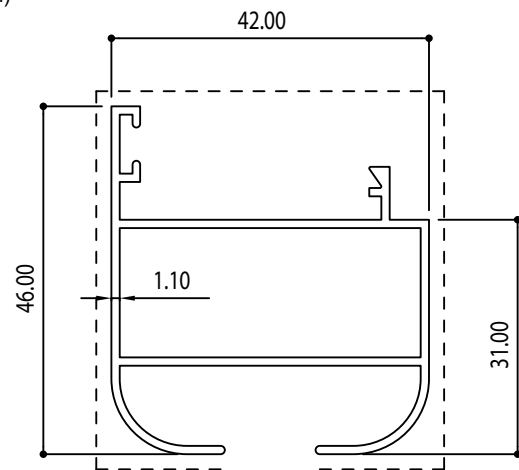
Frame Profiles 42mm



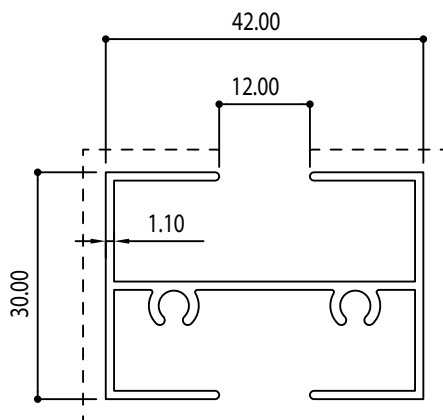
22498*
(0.596 Kg/m)



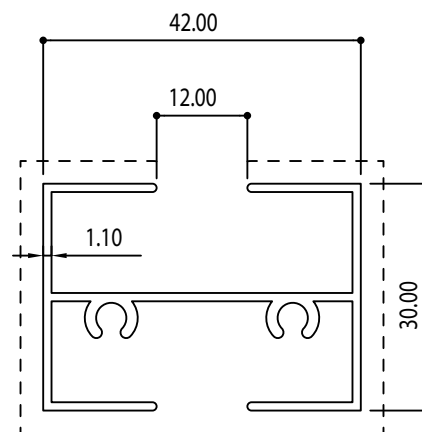
21915*
(0.574 Kg/m)



22475*
(0.579 Kg/m)



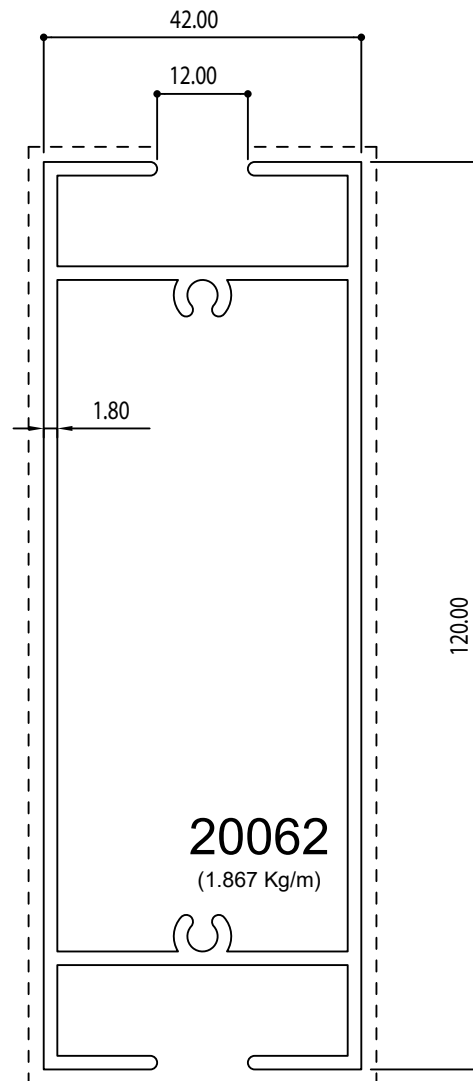
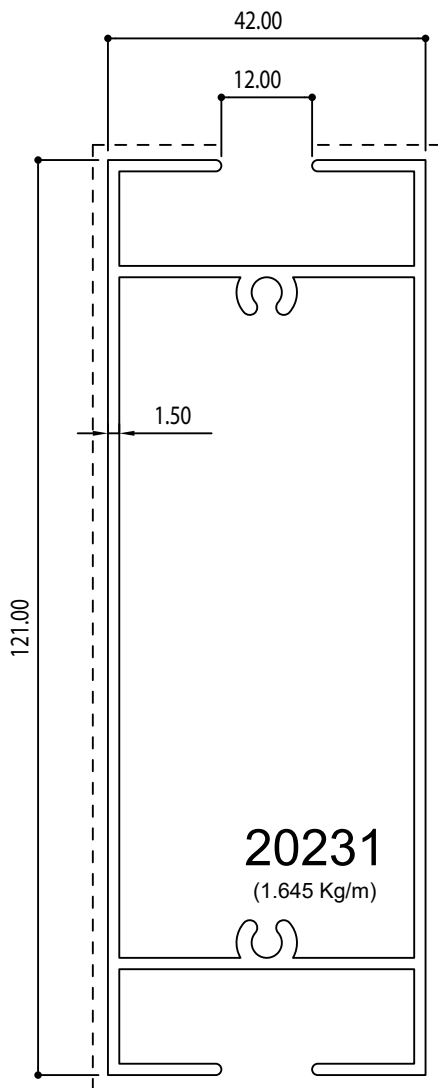
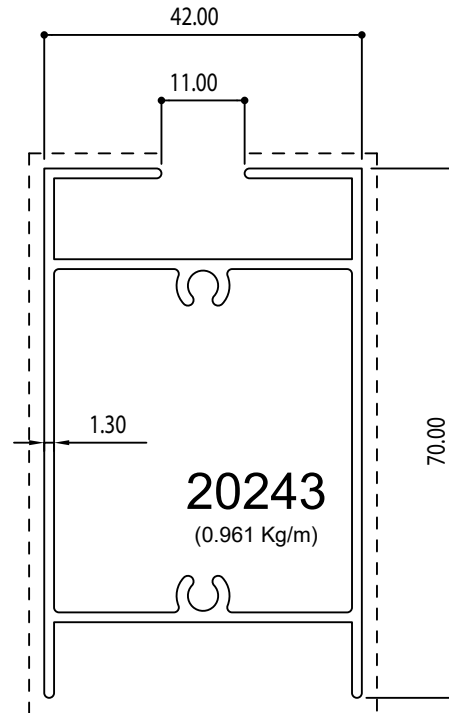
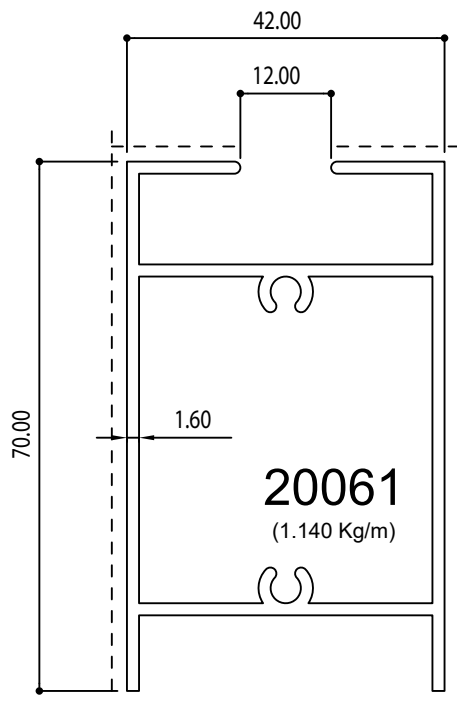
12384*
(0.533 Kg/m)



11115*
(0.547 Kg/m)

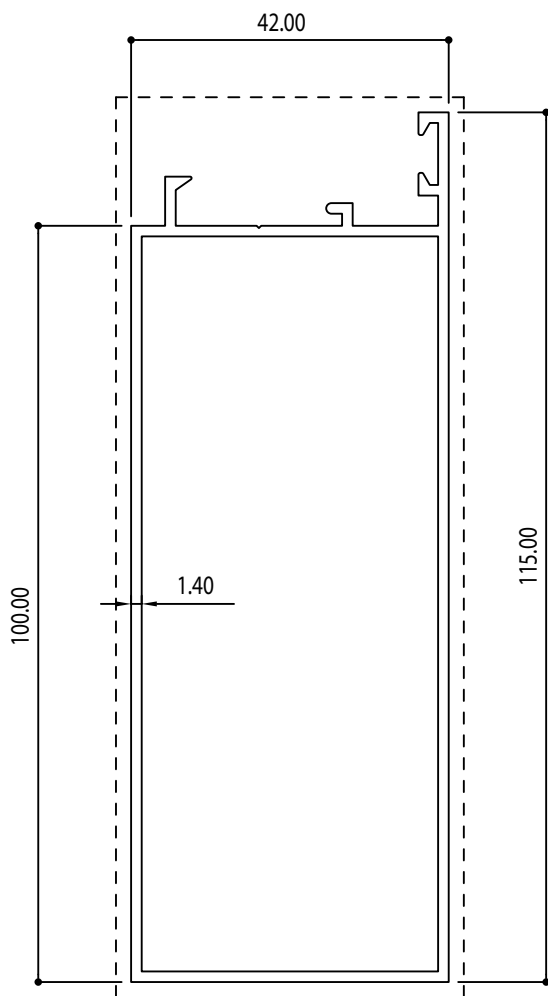
* For export, not recommended for GCC usage

Intermediate Profiles 42mm

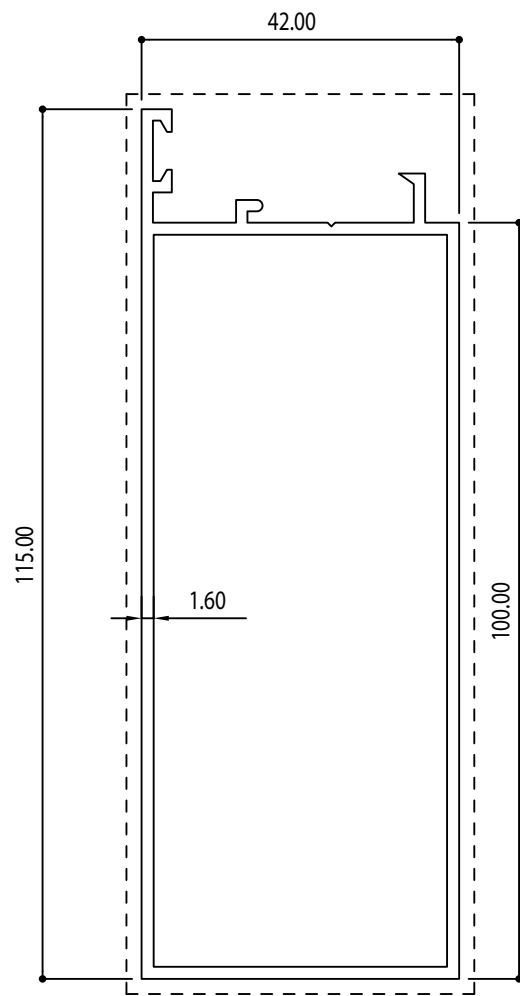


* For export, not recommended for GCC usage

Bottom Profile 42mm



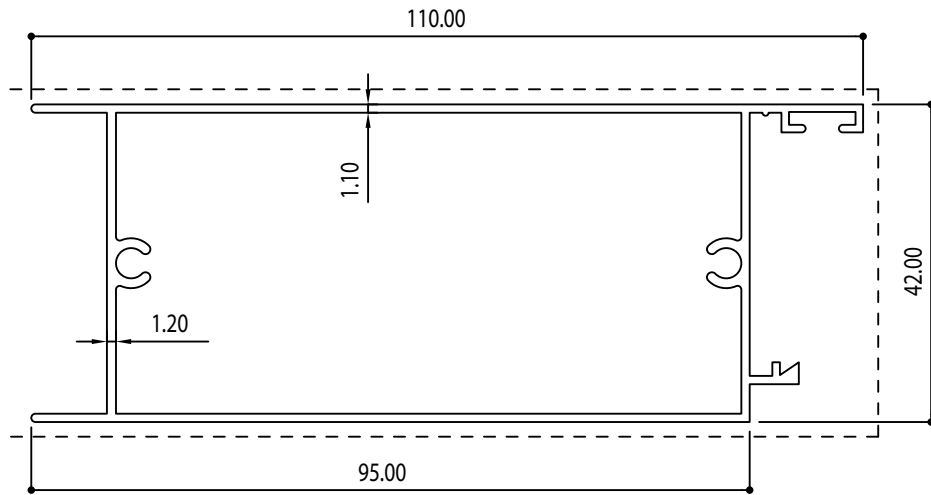
22283
(1.186 Kg/m)



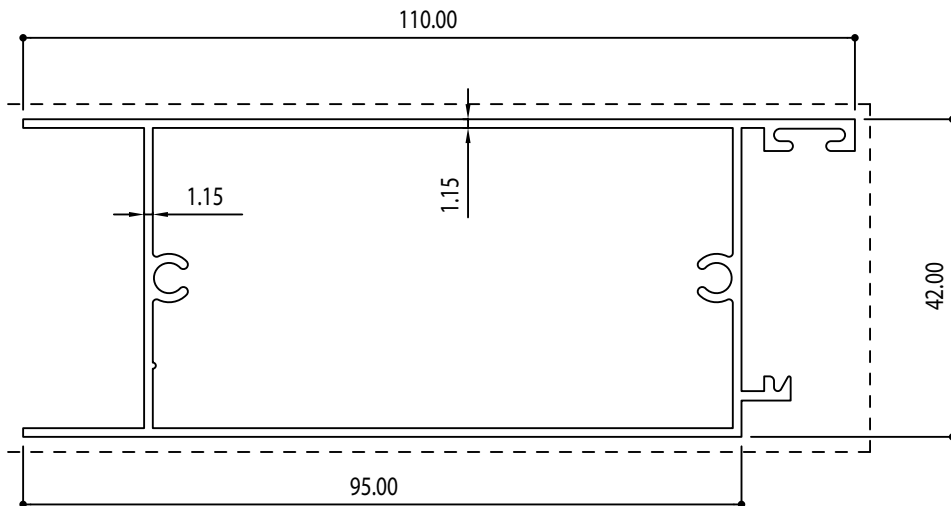
20760
(1.342 Kg/m)

* For export, not recommended for GCC usage

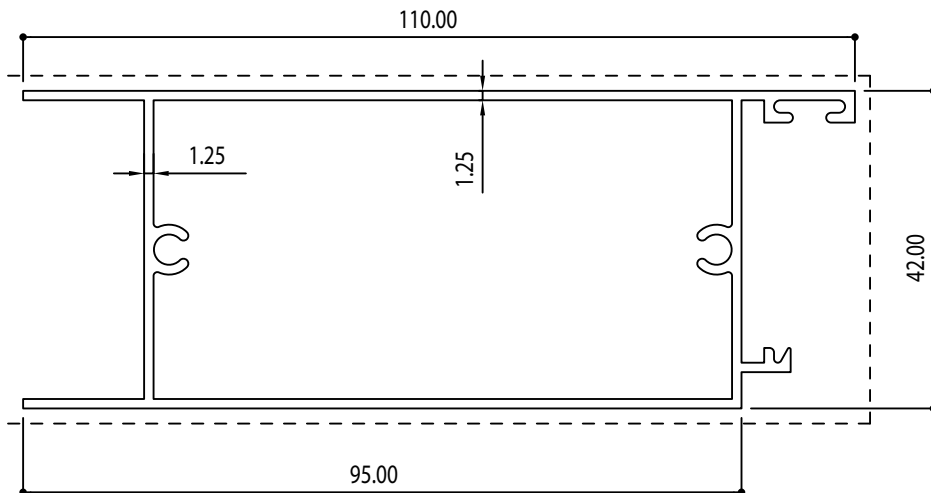
Bottom Profile 42mm



60008*
(0.981 Kg/m)



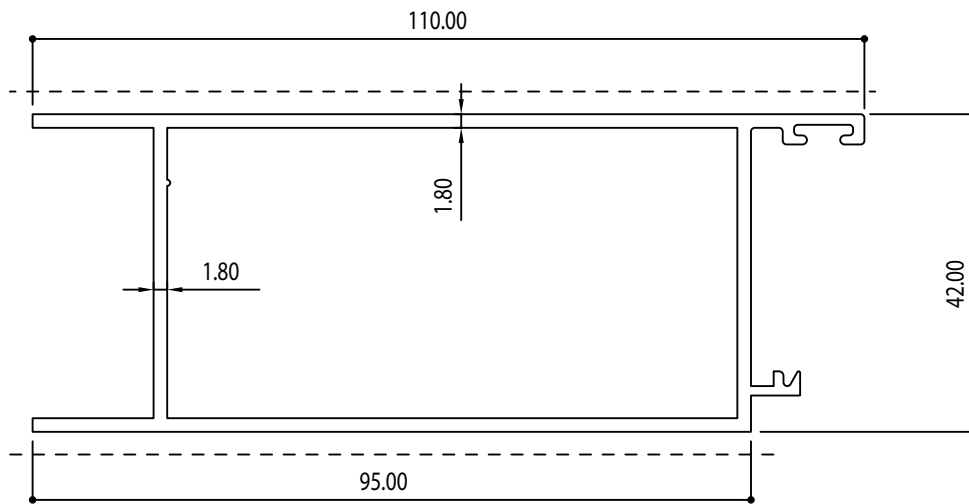
60015*
(1.028 Kg/m)



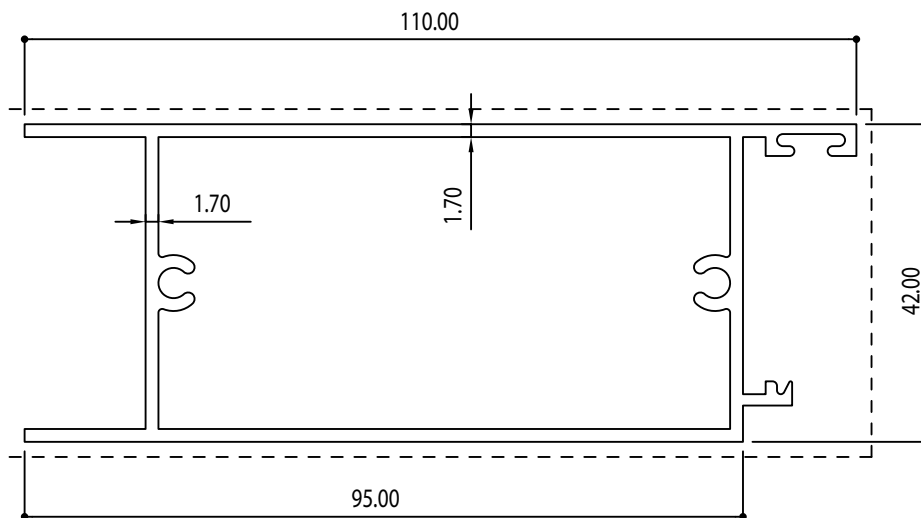
22185
(1.103 Kg/m)

* For export, not recommended for GCC usage

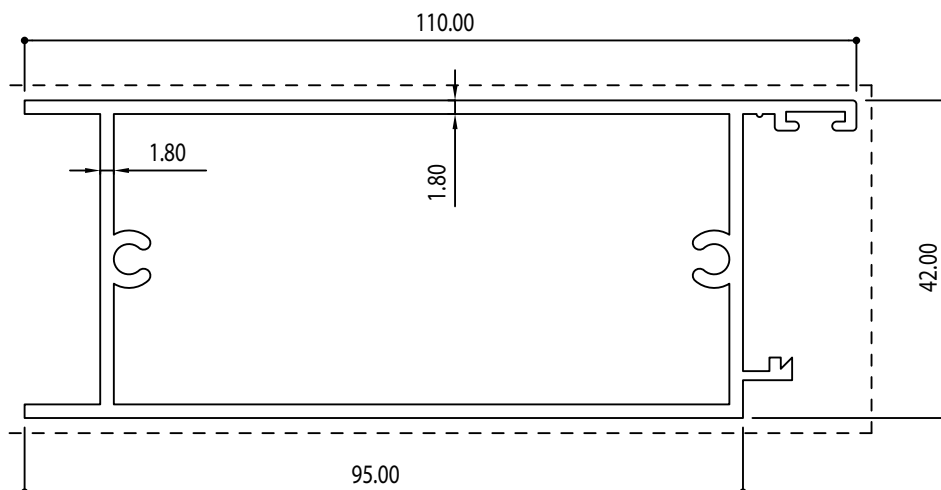
Bottom Profile 42mm



26856
(1.423 Kg/m)



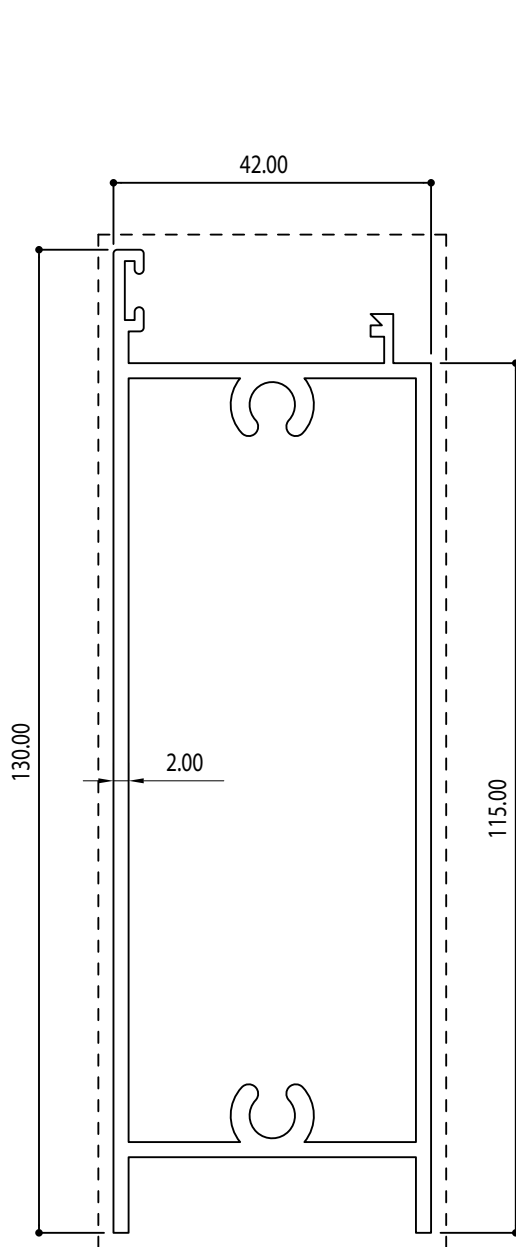
21781
(1.454 Kg/m)



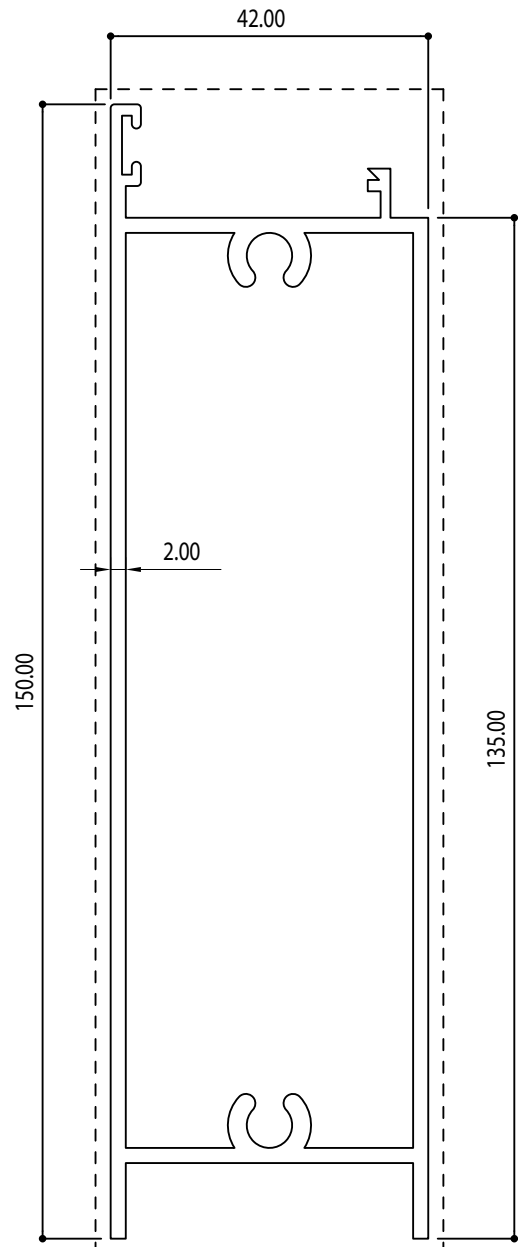
20058
(1.515 Kg/m)

* For export, not recommended for GCC usage

Bottom Profile 42mm



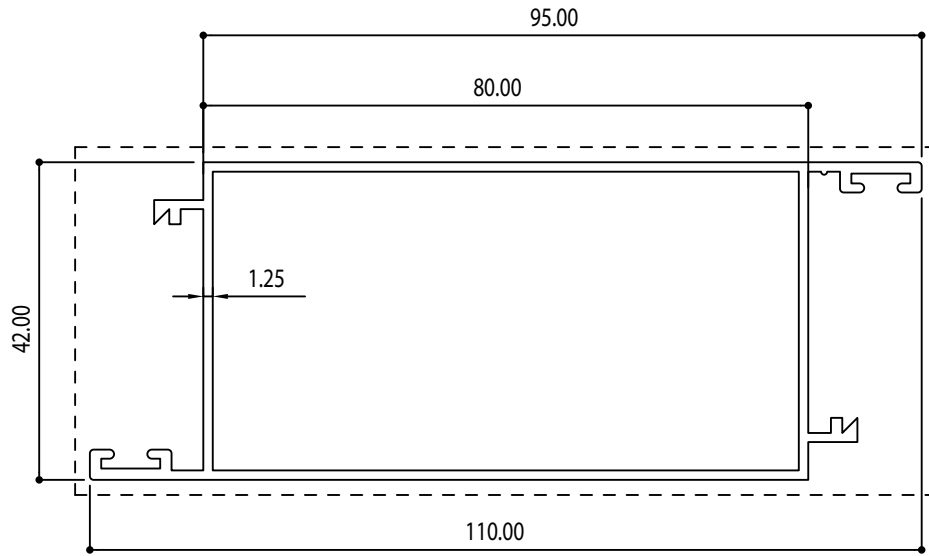
20063
(1.915 Kg/m)



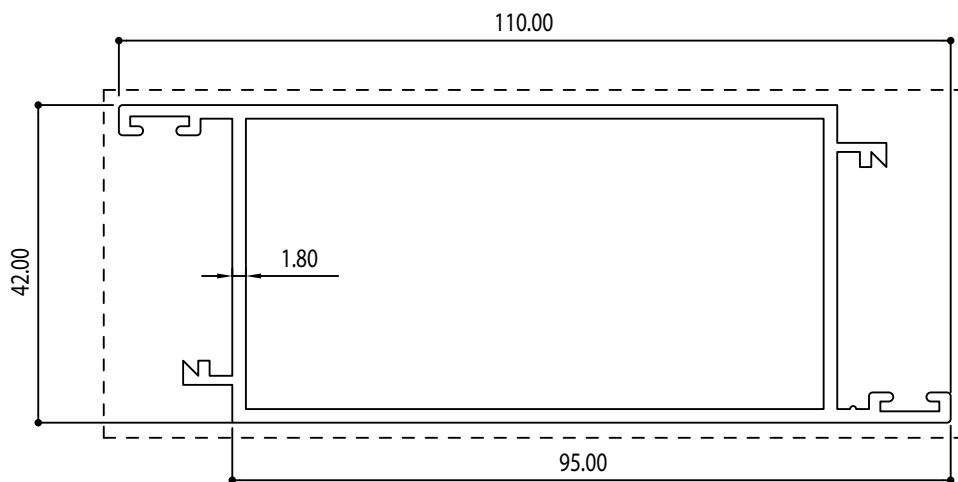
20824
(2.203 Kg/m)

* For export, not recommended for GCC usage

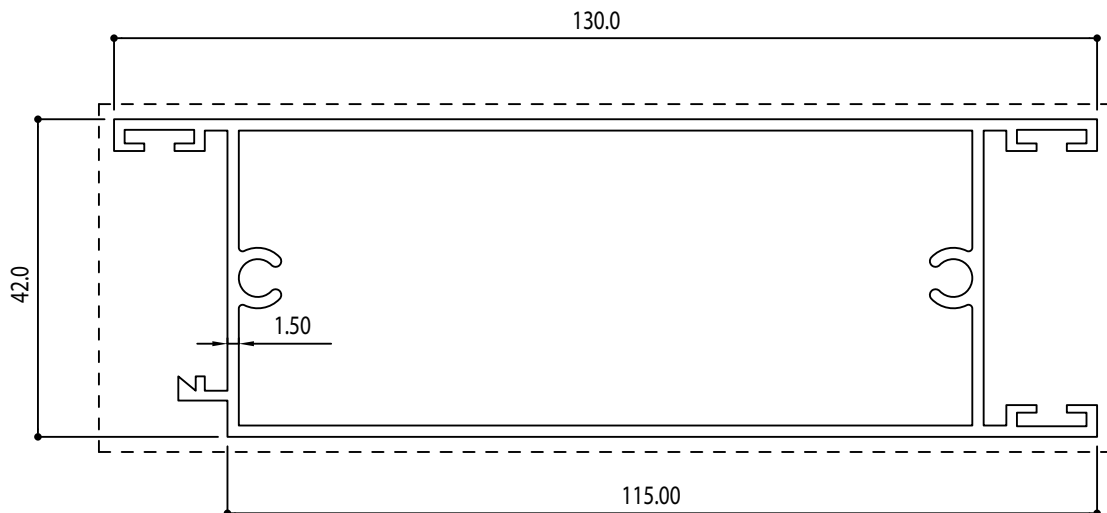
Sash Profiles 42mm



60012
(1.052 Kg/m)



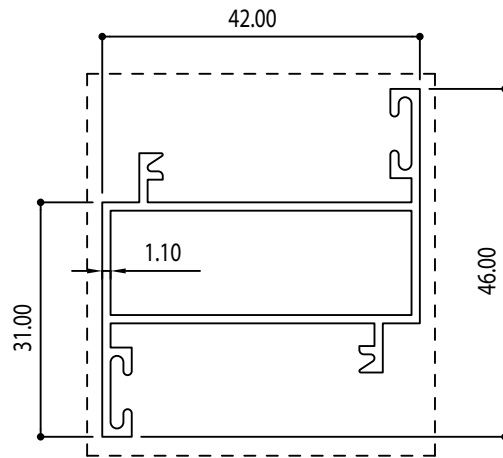
21459
(1.408 Kg/m)



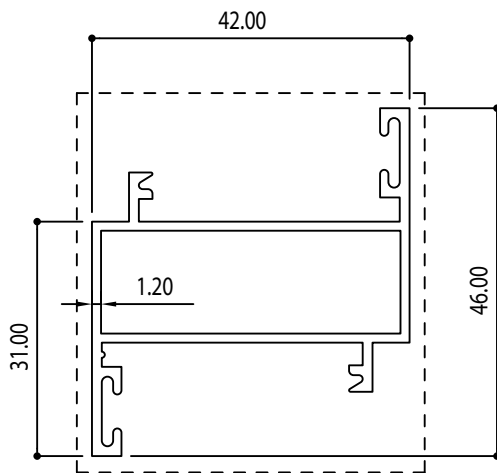
20585
(1.541 Kg/m)

* For export, not recommended for GCC usage

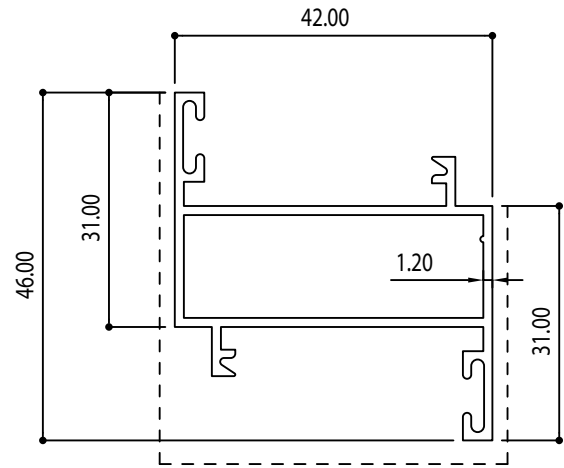
Sash Profiles 42mm



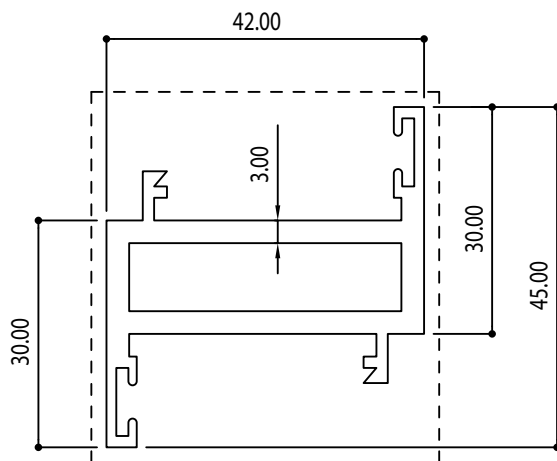
22189*
(0.547 Kg/m)



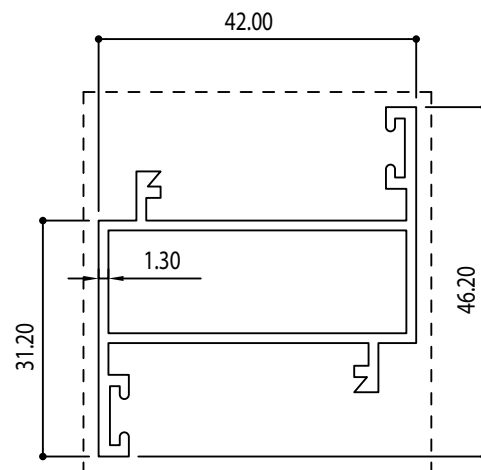
21786
(0.598 Kg/m)



60058
(0.580 Kg/m)



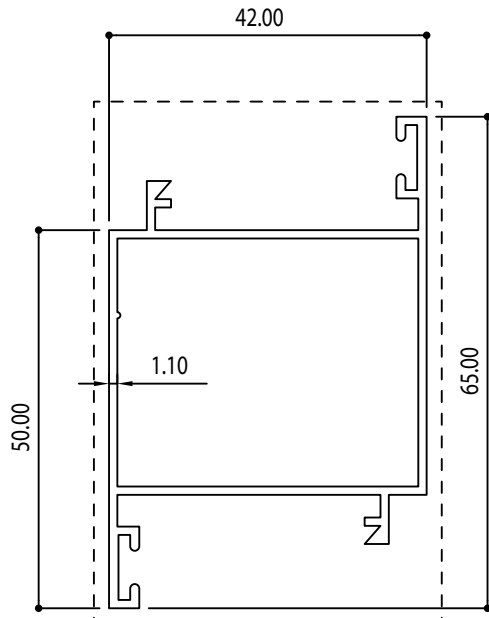
20505
(1.106 Kg/m)



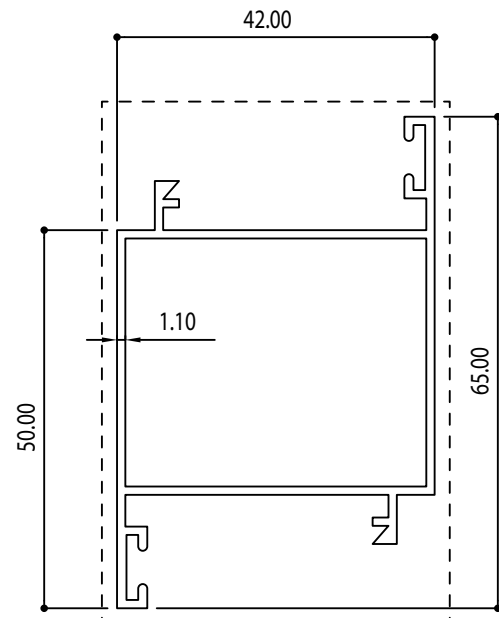
20533
(0.640 Kg/m)

* For export, not recommended for GCC usage

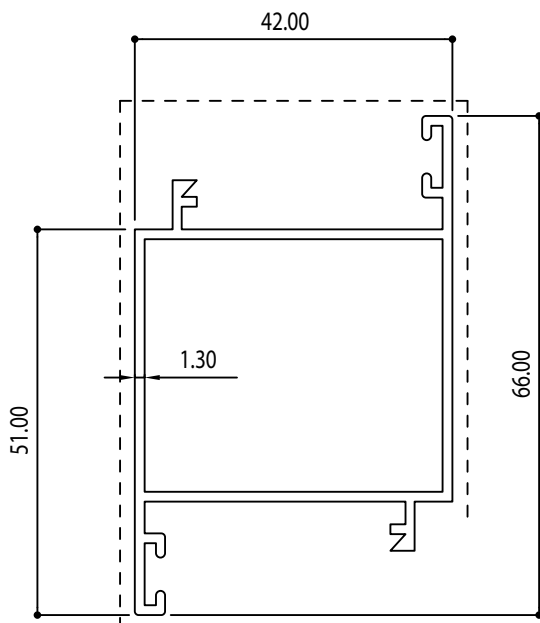
Sash Profiles 42mm



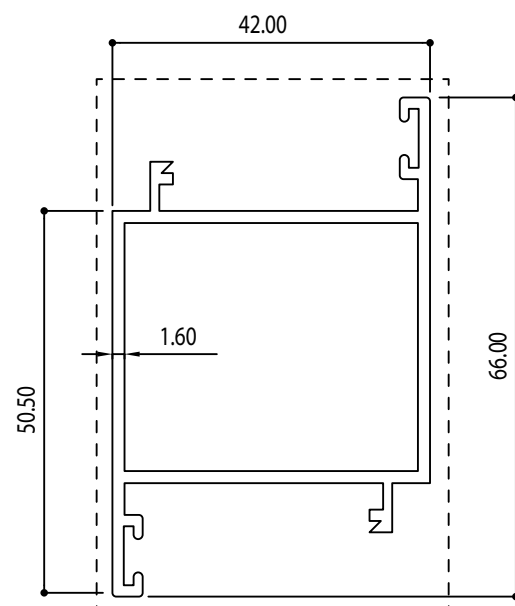
22180*
(0.665 Kg/m)



23556*
(0.665 Kg/m)



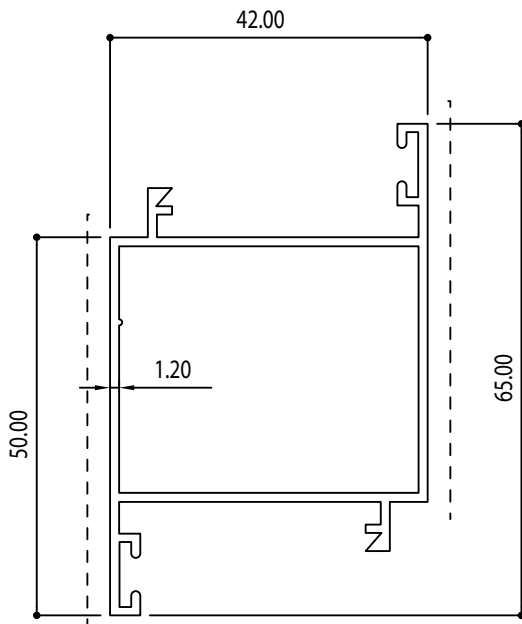
21252
(0.763 Kg/m)



20054
(0.917 Kg/m)

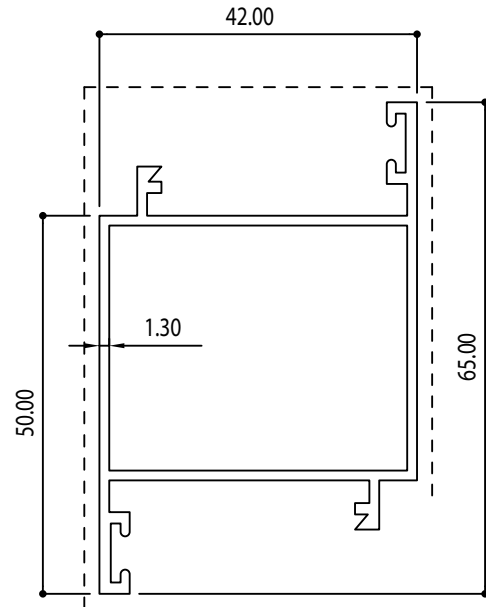
* For export, not recommended for GCC usage

Sash Profiles 42mm



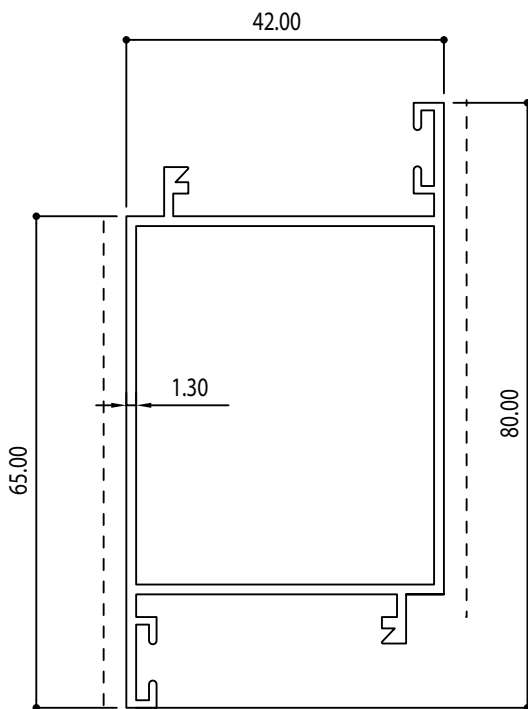
60060

(0.709 Kg/m)



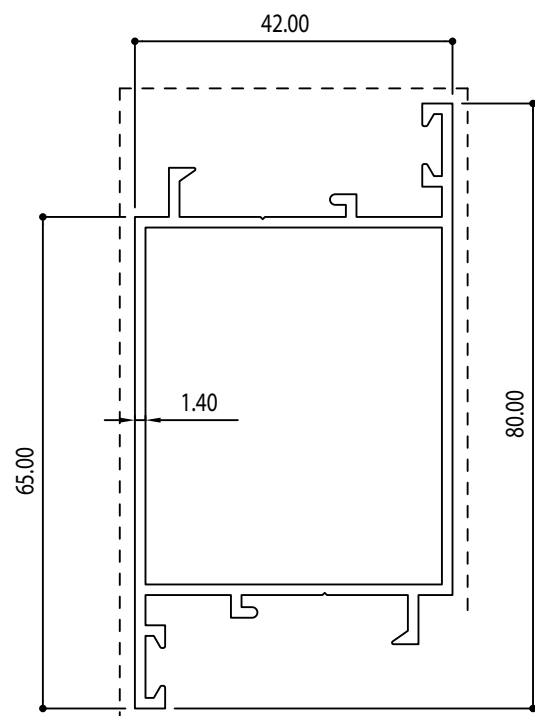
20531

(0.772 Kg/m)



60063

(0.860 Kg/m)

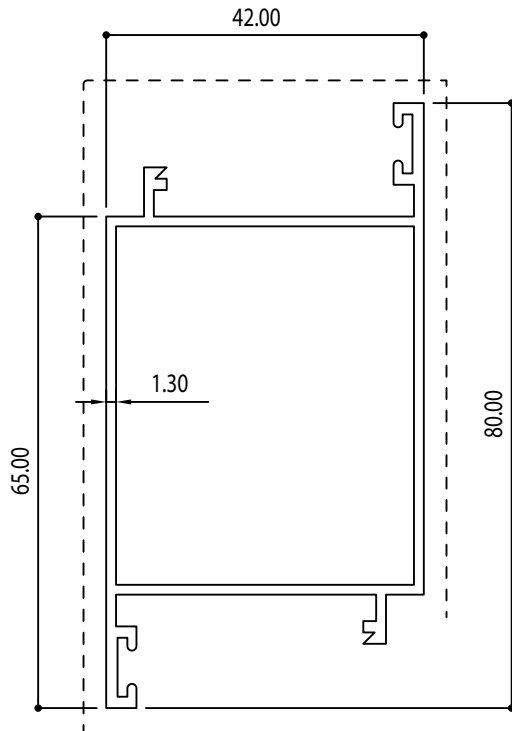


22284

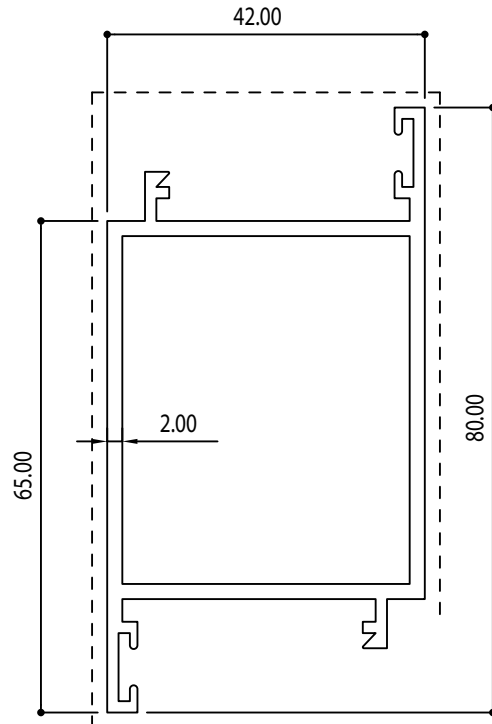
(0.943 Kg/m)

* For export, not recommended for GCC usage

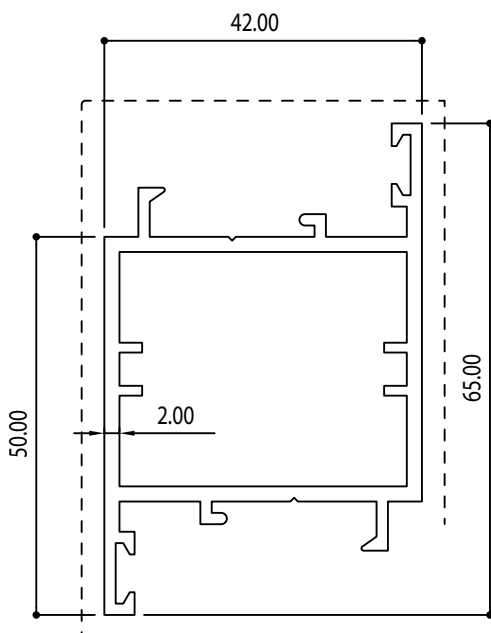
Sash Profiles 42mm



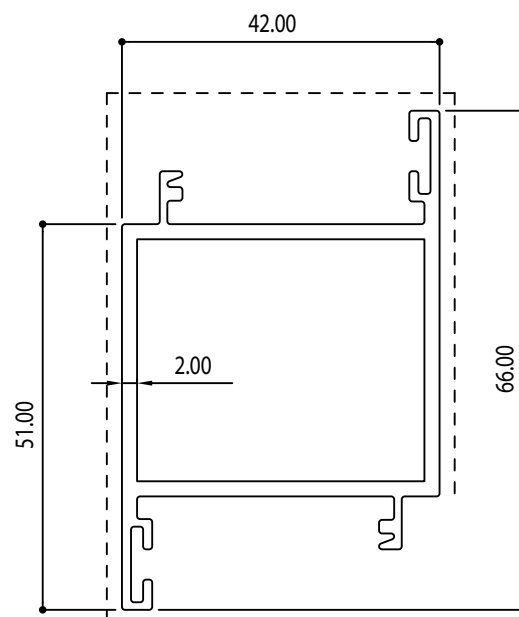
20771
(0.873 Kg/m)



21132
(1.219 Kg/m)



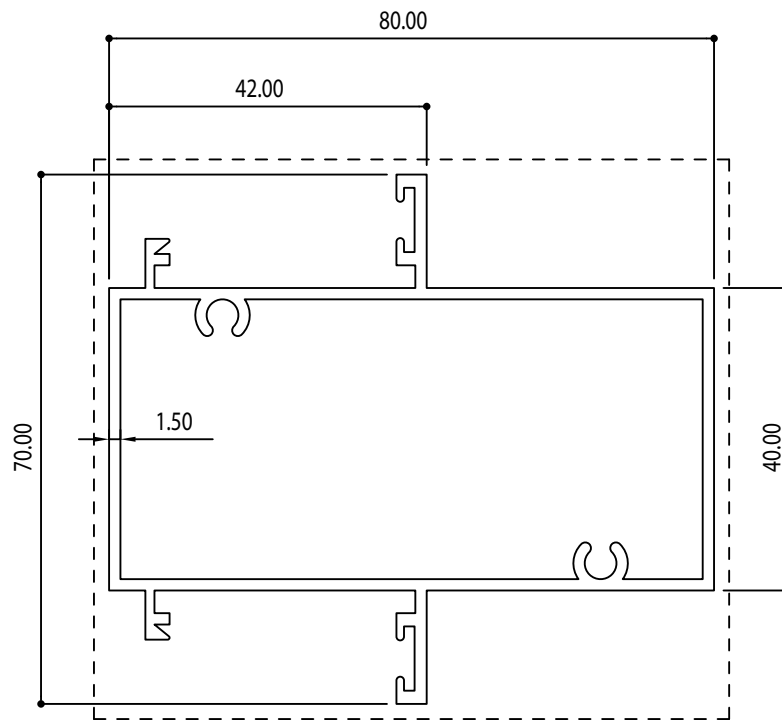
20424
(1.125 Kg/m)



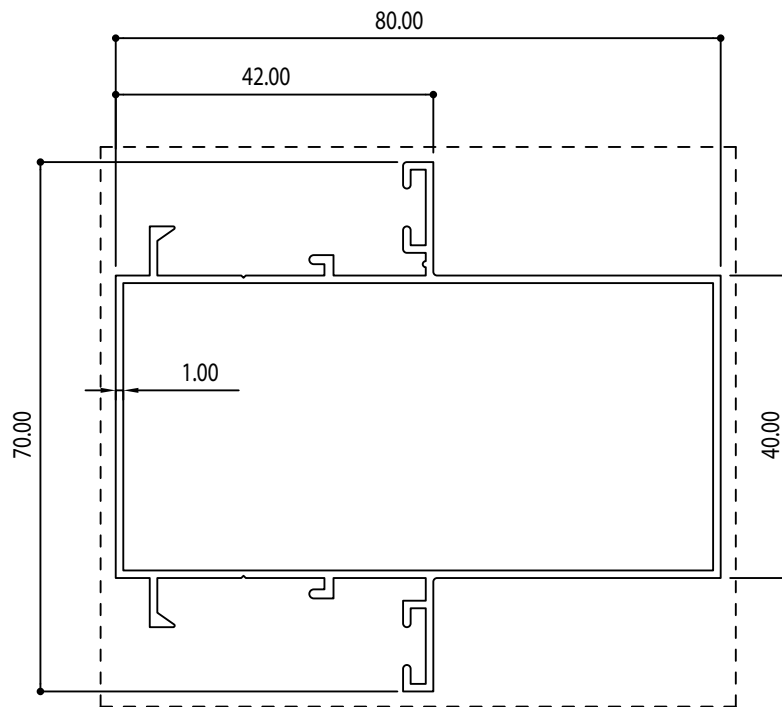
20602
(1.190 Kg/m)

* For export, not recommended for GCC usage

Sash Profiles 42mm



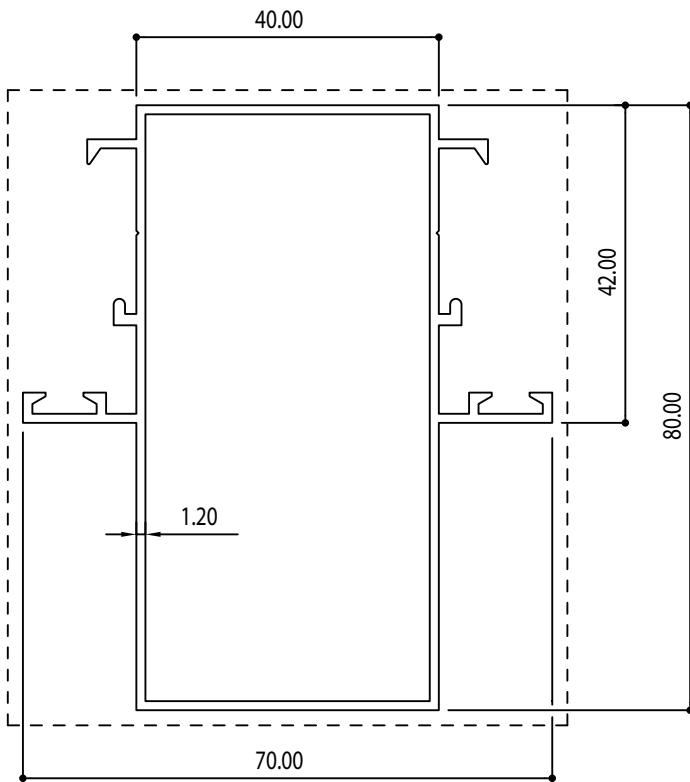
20311
(1.328 Kg/m)



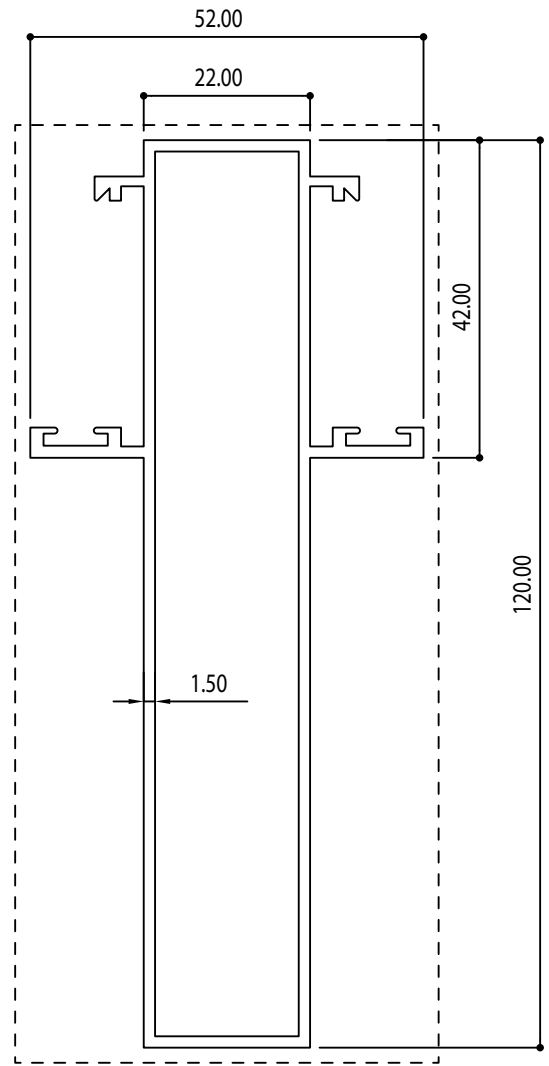
60030*
(0.854 Kg/m)

* For export, not recommended for GCC usage

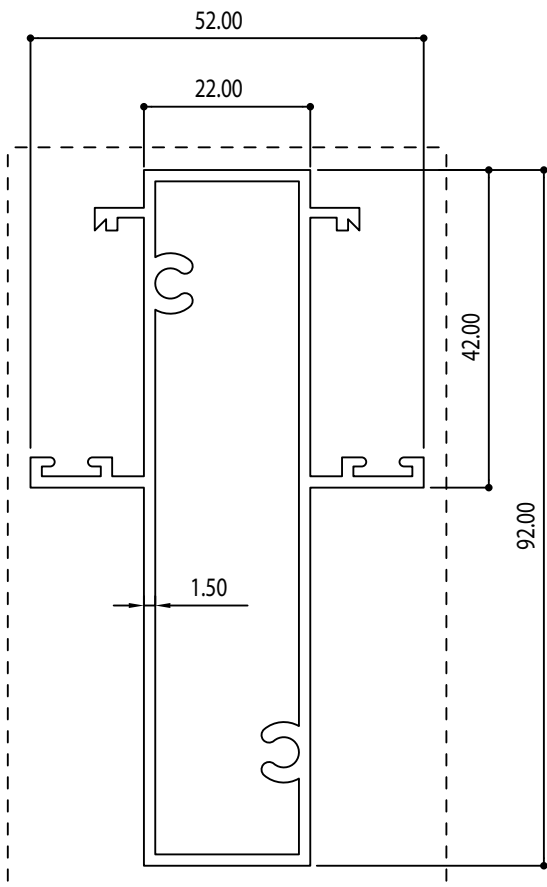
Sash Profiles 42mm



21964
(1.008 Kg/m)



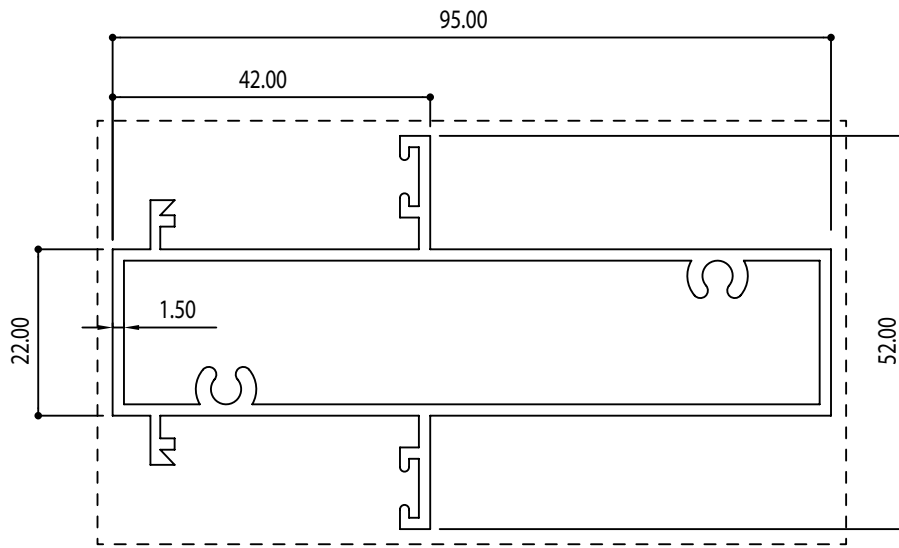
20826
(1.389 Kg/m)



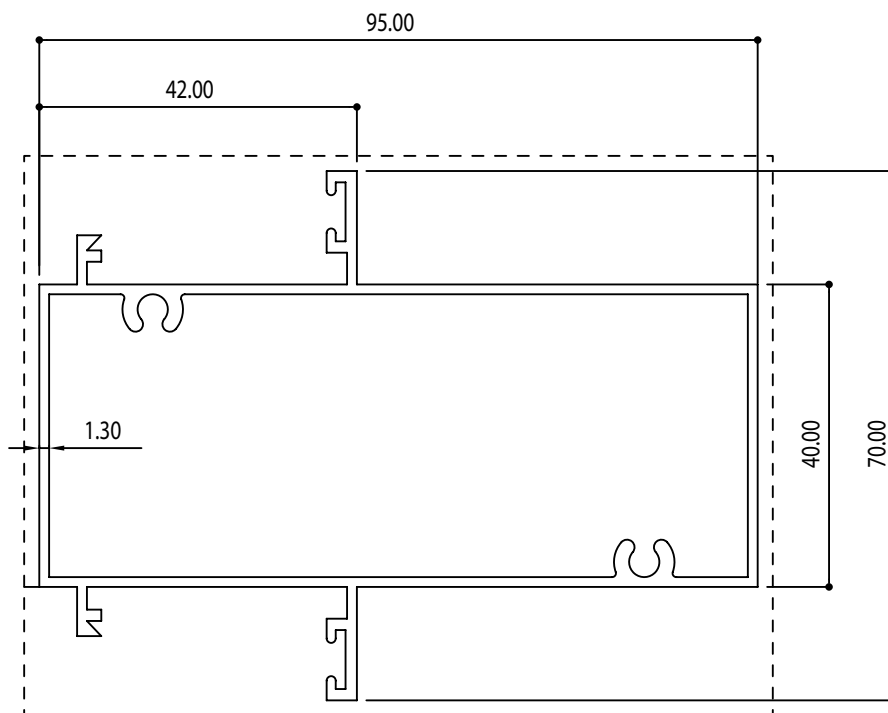
21373
(1.260 Kg/m)

* For export, not recommended for GCC usage

T Profiles 42mm



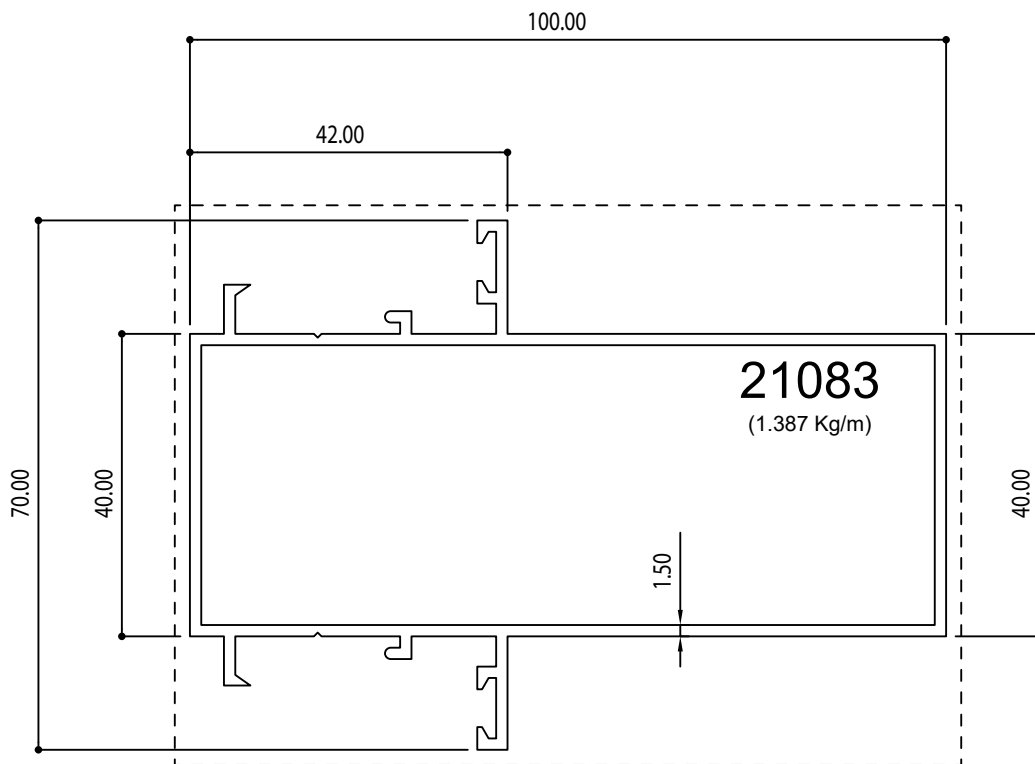
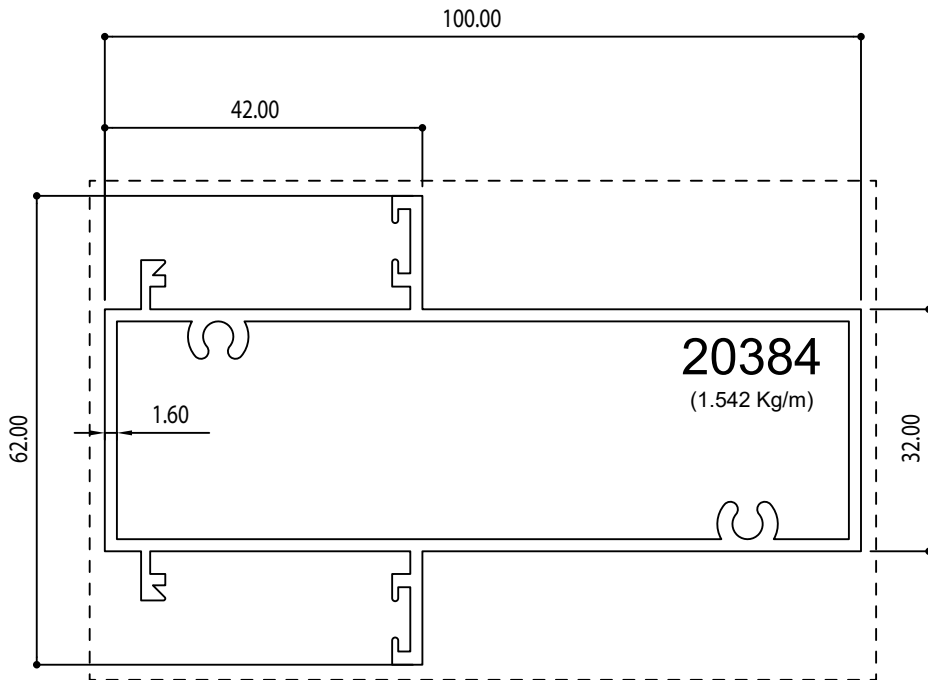
20825
(1.289 Kg/m)



21026
(1.291 Kg/m)

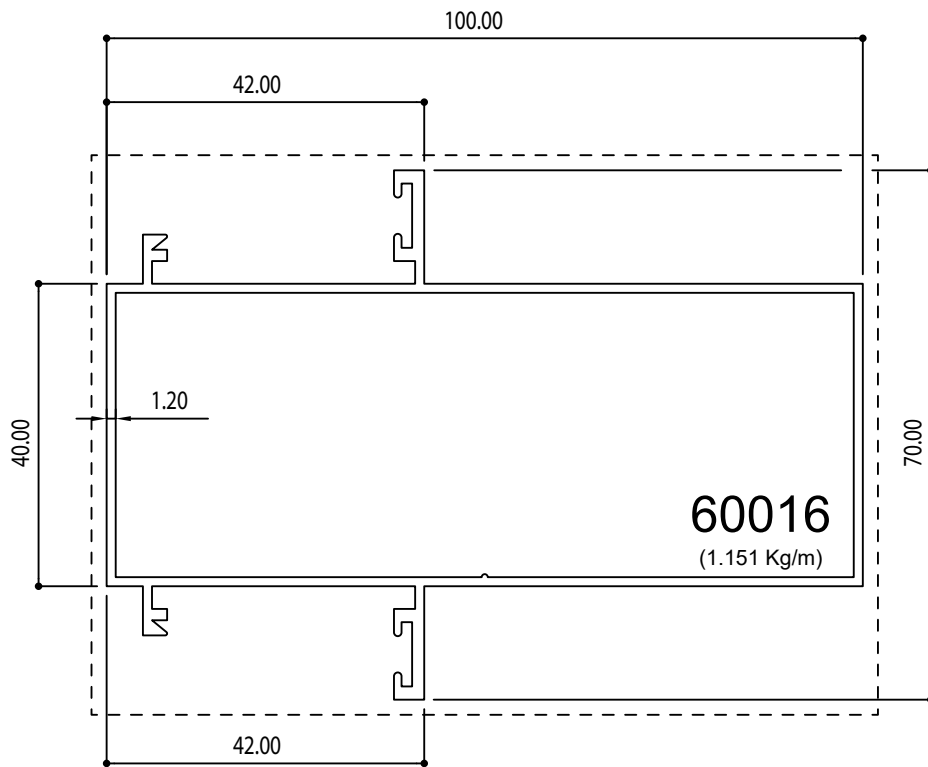
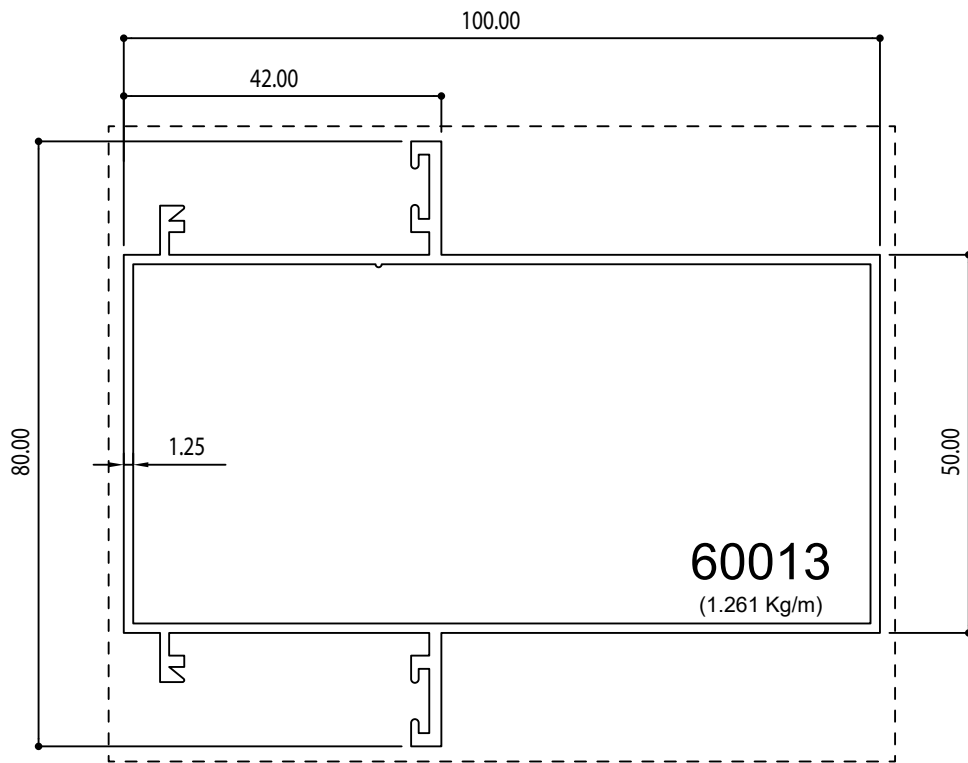
* For export, not recommended for GCC usage

T Profiles 42mm



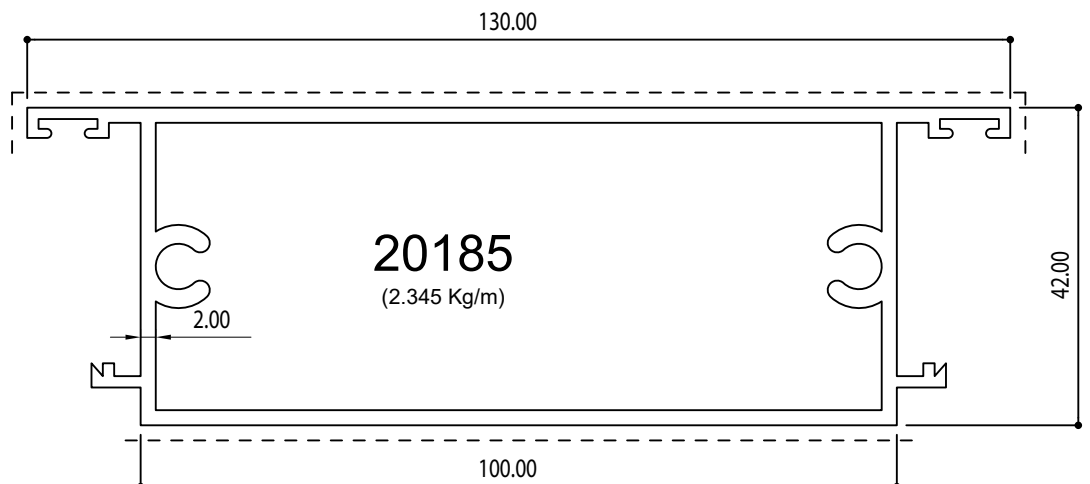
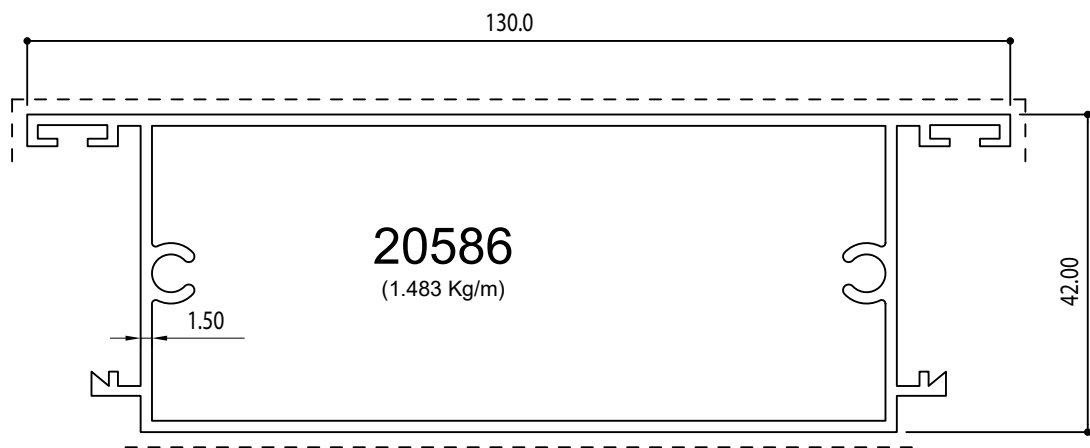
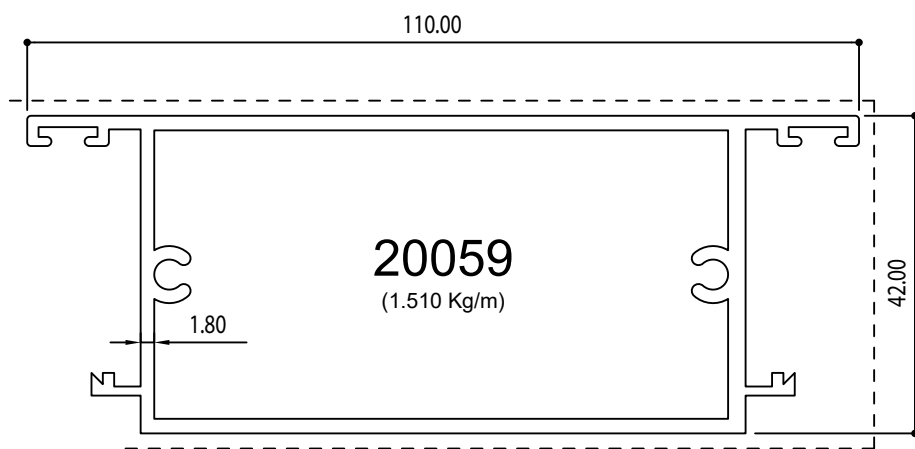
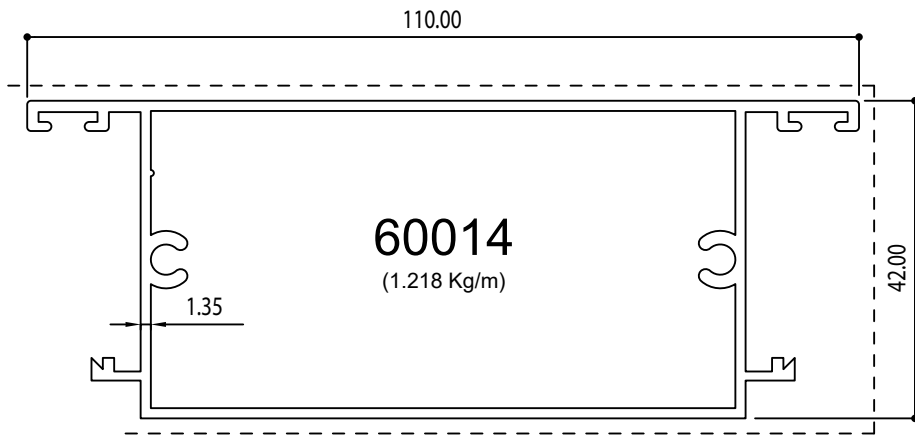
* For export, not recommended for GCC usage

T Profiles 42mm



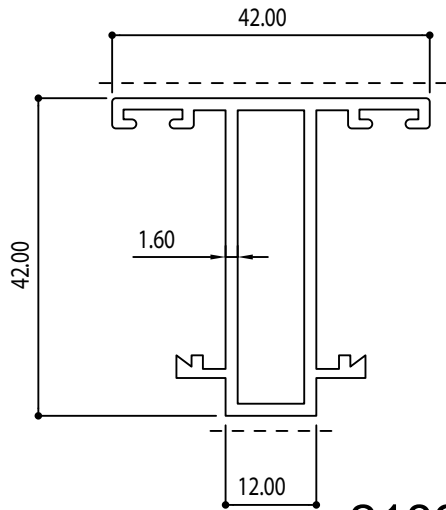
* For export, not recommended for GCC usage

T Profiles 42mm

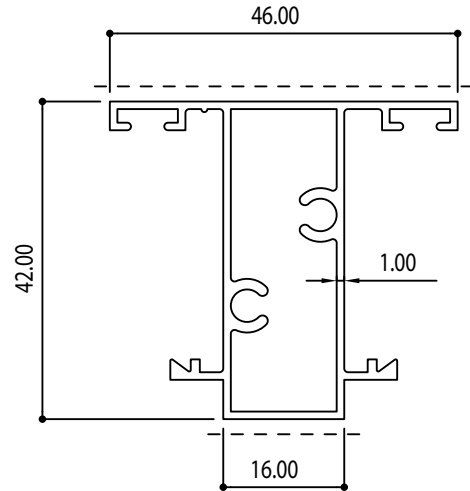


* For export, not recommended for GCC usage

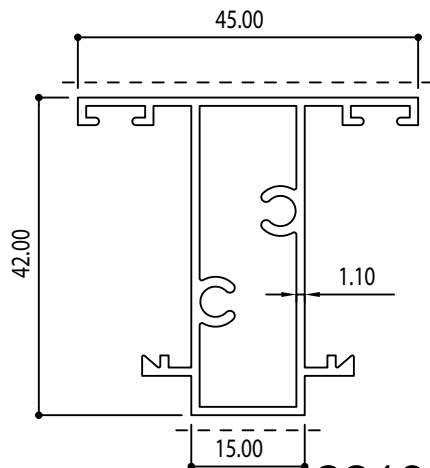
T Profiles 42mm



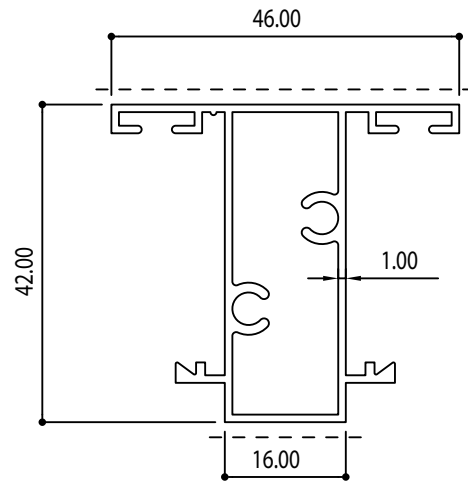
21891
(0.691 Kg/m)



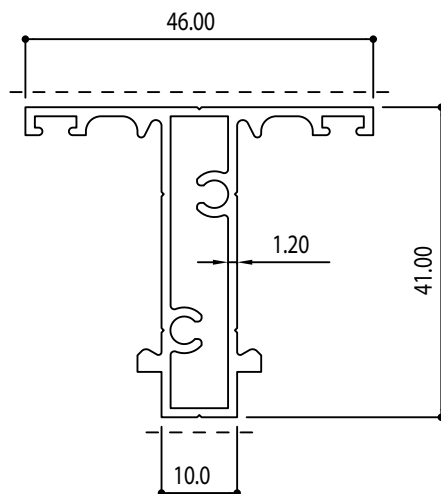
60037*
(0.578 Kg/m)



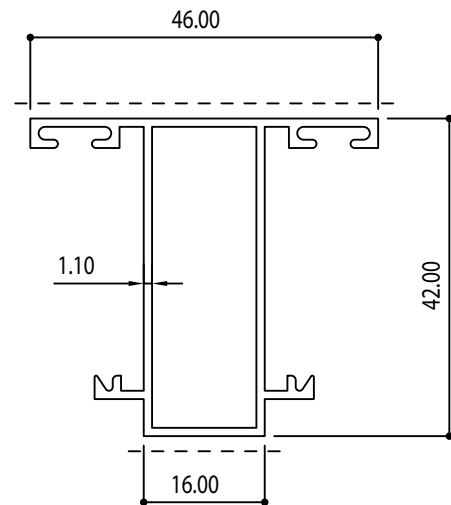
22131*
(0.594 Kg/m)



60025*
(0.581 Kg/m)



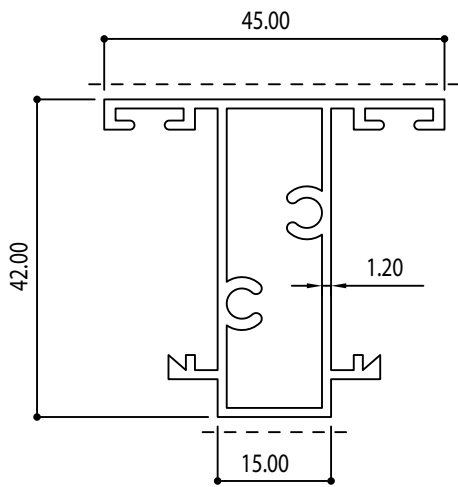
21899
(0.613 Kg/m)



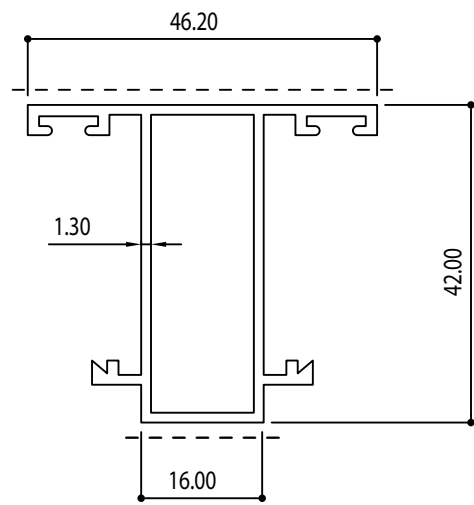
22188*
(0.547 Kg/m)

* For export, not recommended for GCC usage

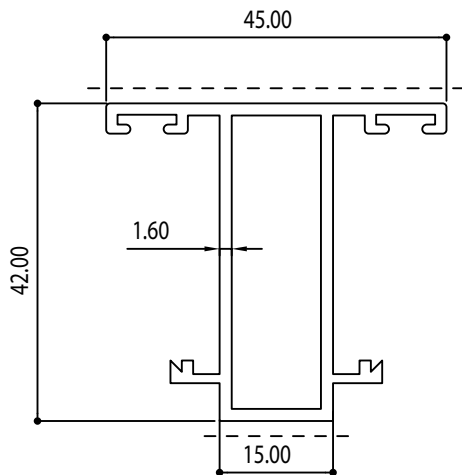
T Profiles 42mm



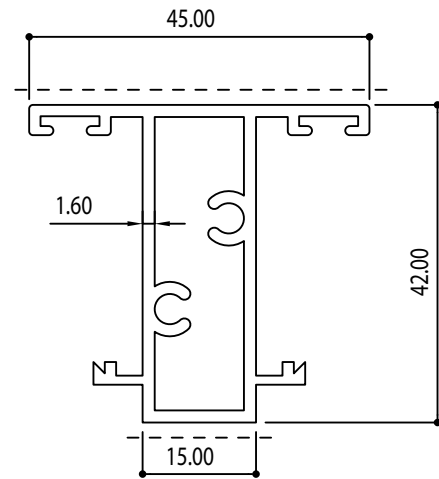
21065
(0.675 Kg/m)



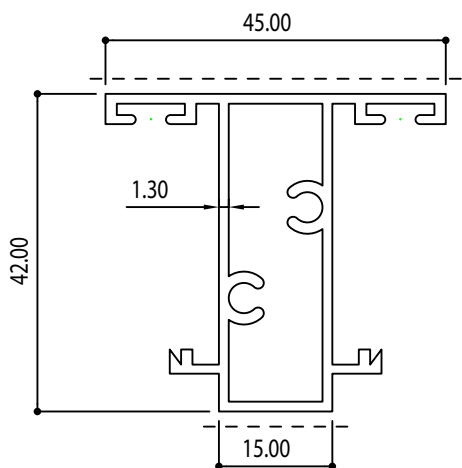
20534
(0.640 Kg/m)



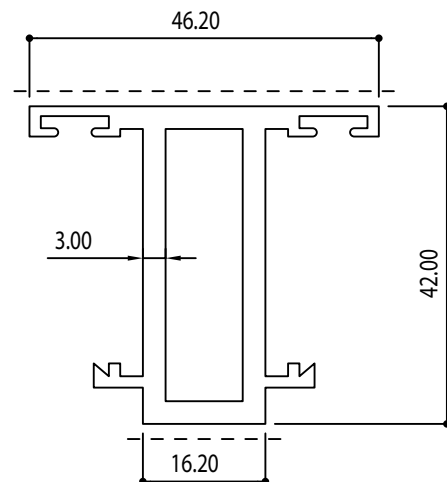
20052
(0.732 Kg/m)



20053
(0.845 Kg/m)



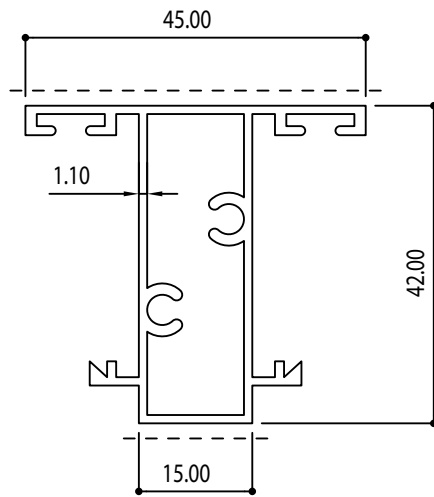
20079
(0.704 Kg/m)



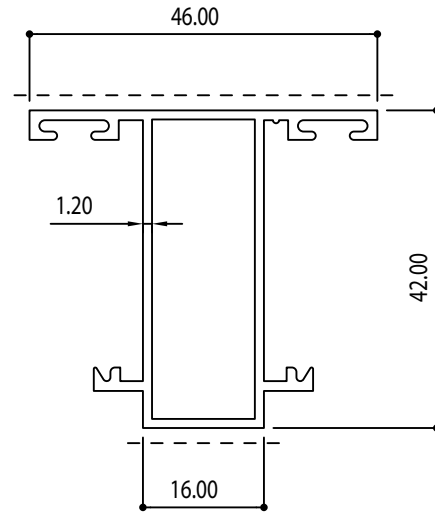
20504
(1.125 Kg/m)

* For export, not recommended for GCC usage

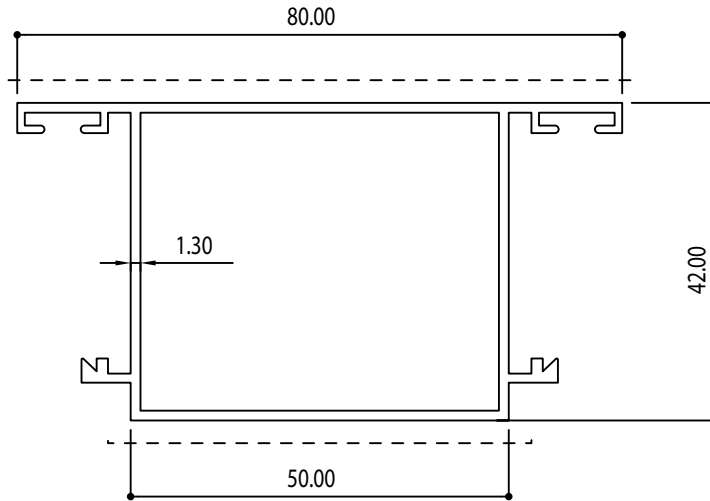
T Profiles 42mm



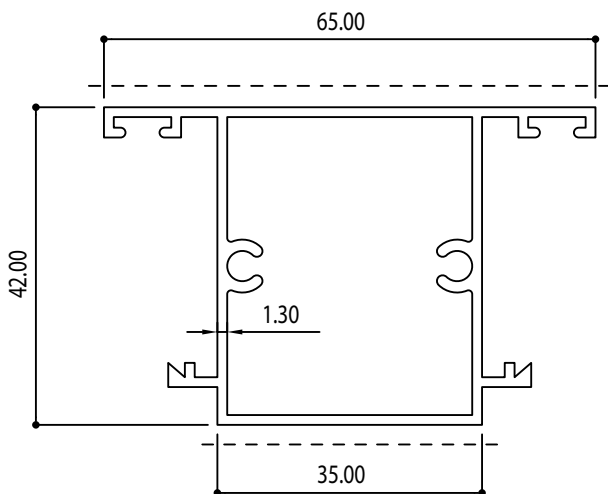
21224*
(0.637 Kg/m)



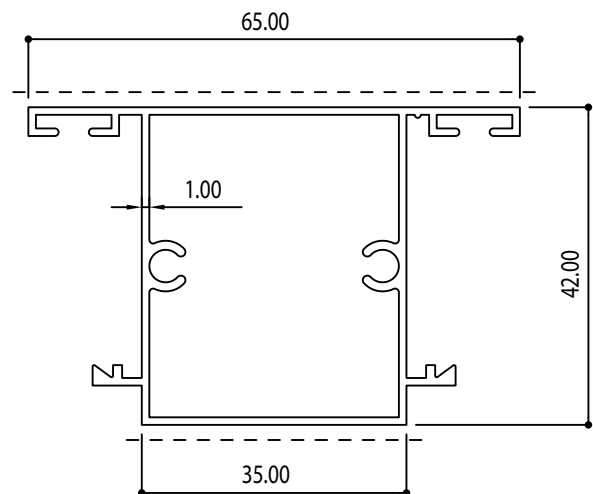
21785
(0.598 Kg/m)



60064
(0.860 Kg/m)



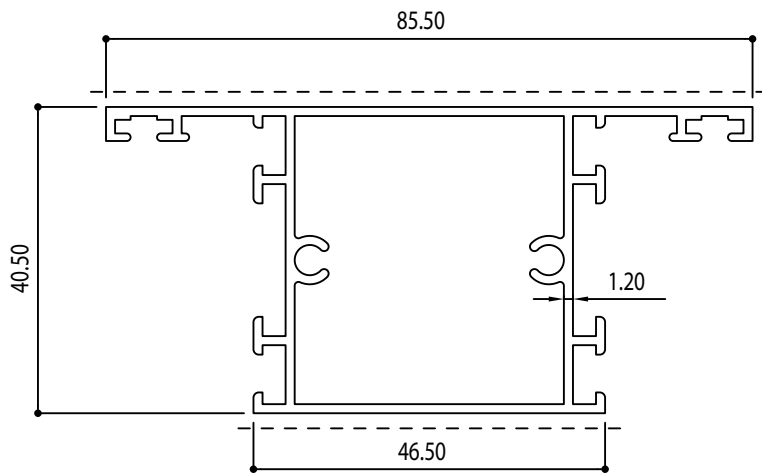
21097
(0.838 Kg/m)



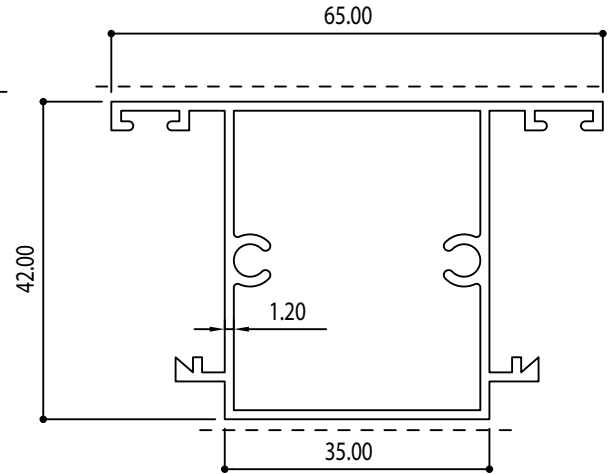
60024
(0.678 Kg/m)

* For export, not recommended for GCC usage

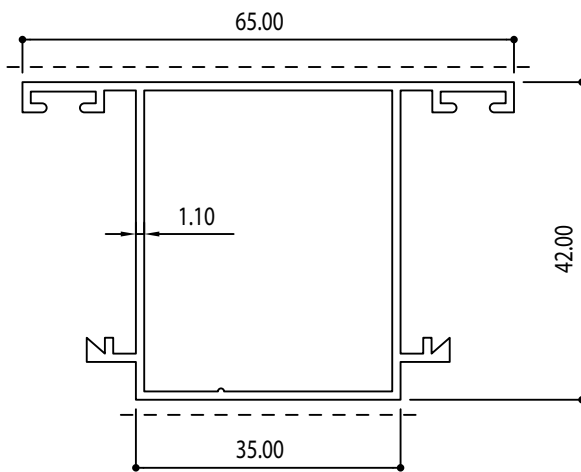
T Profiles 42mm



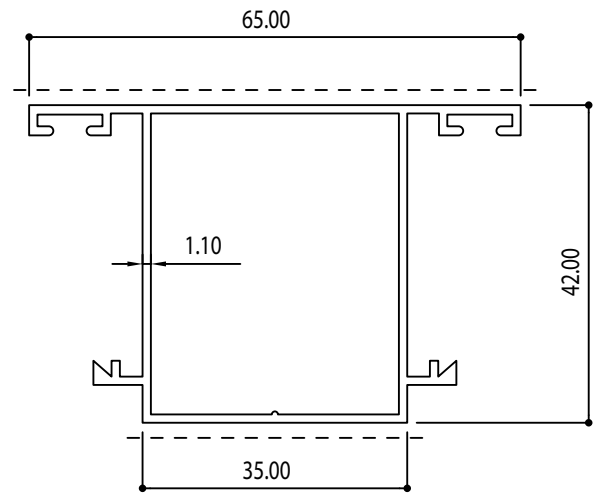
21201
(0.941 Kg/m)



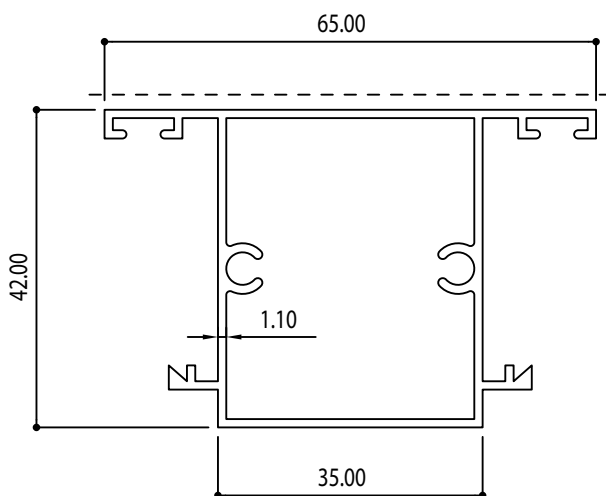
21047
(0.780 Kg/m)



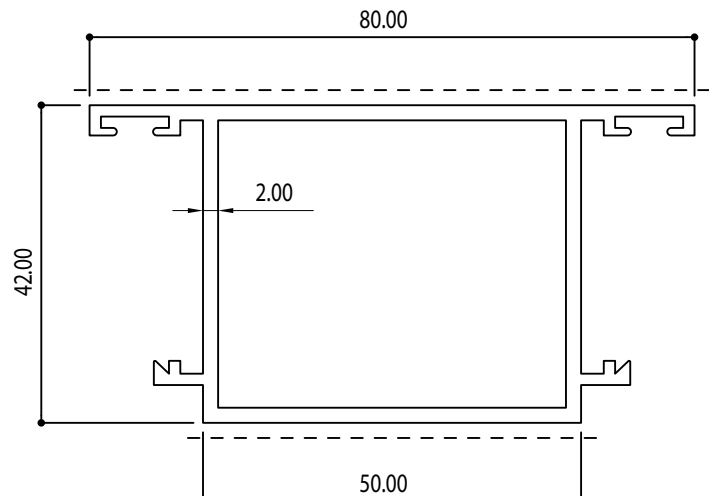
22181*
(0.665 Kg/m)



23557*
(0.665 Kg/m)



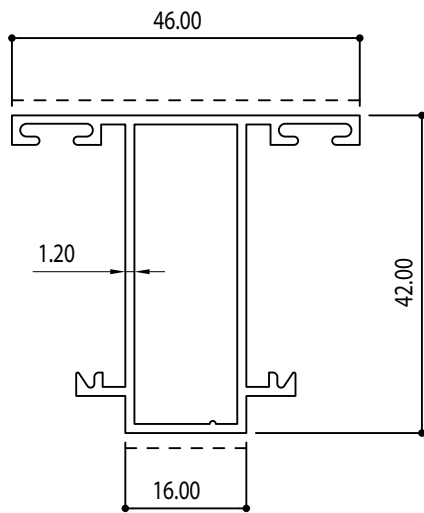
22474*
(0.720 Kg/m)



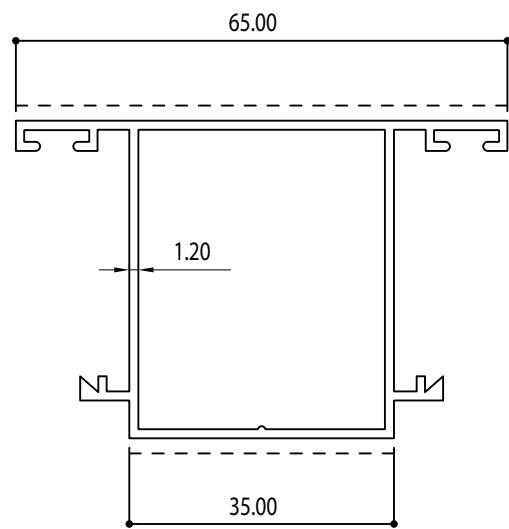
21133
(1.219 Kg/m)

* For export, not recommended for GCC usage

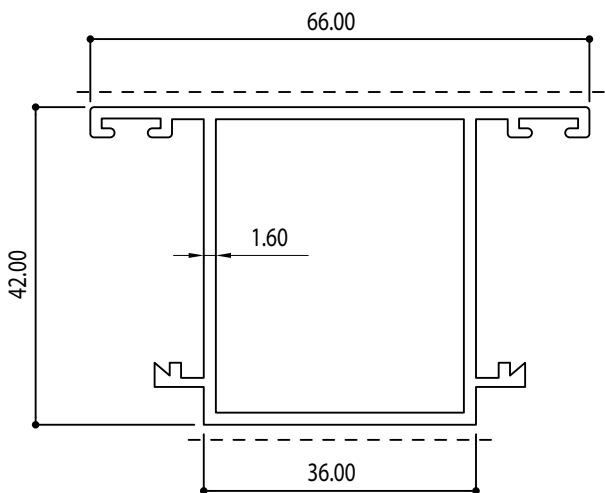
T Profiles 42mm



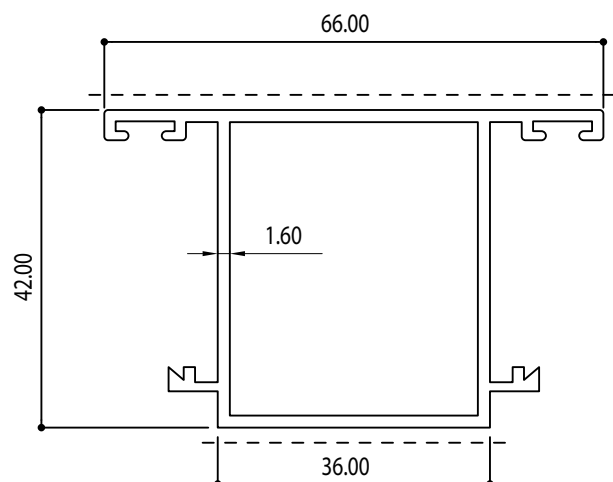
60059
(0.580 Kg/m)



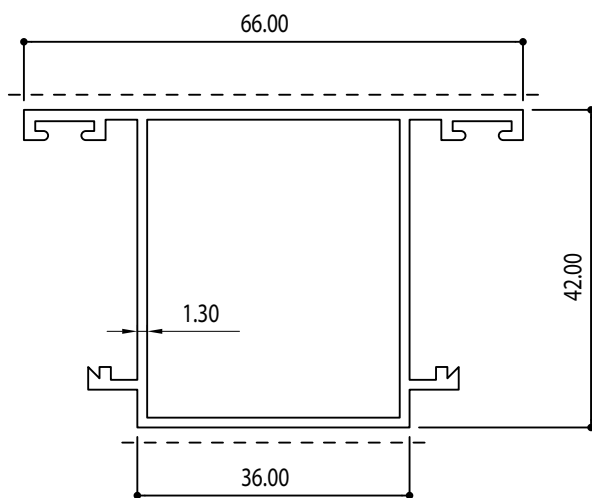
60061
(0.709 Kg/m)



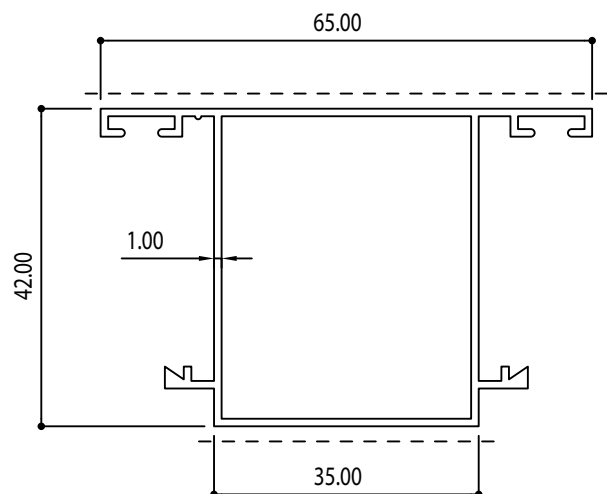
20055
(0.901 Kg/m)



24334
(0.901 Kg/m)



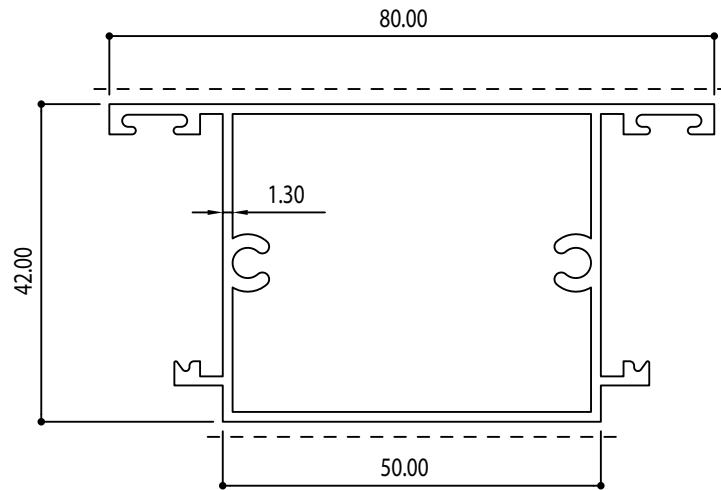
20532
(0.772 Kg/m)



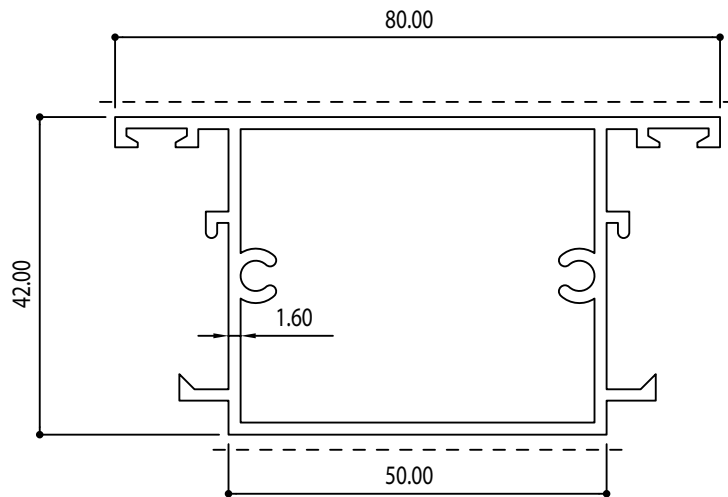
60010*
(0.550 Kg/m)

* For export, not recommended for GCC usage

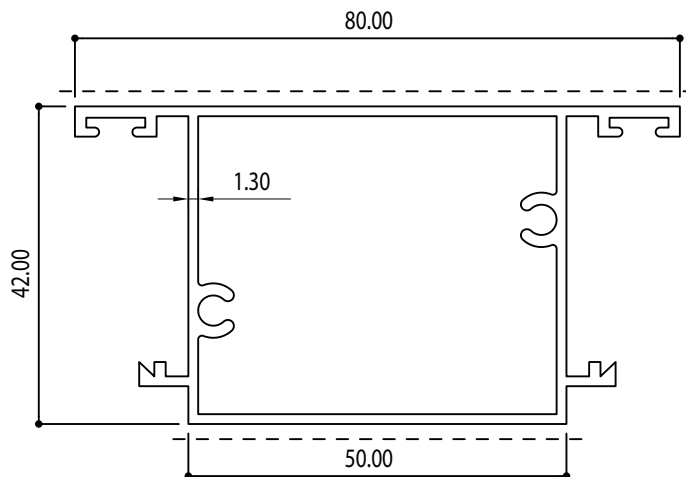
T Profiles 42mm



21281
(0.977 Kg/m)

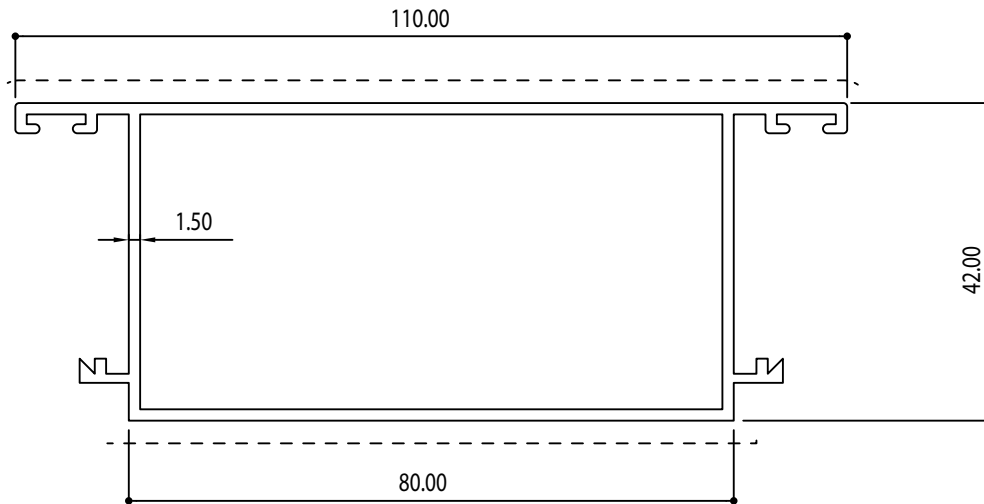


20755
(1.171 Kg/m)

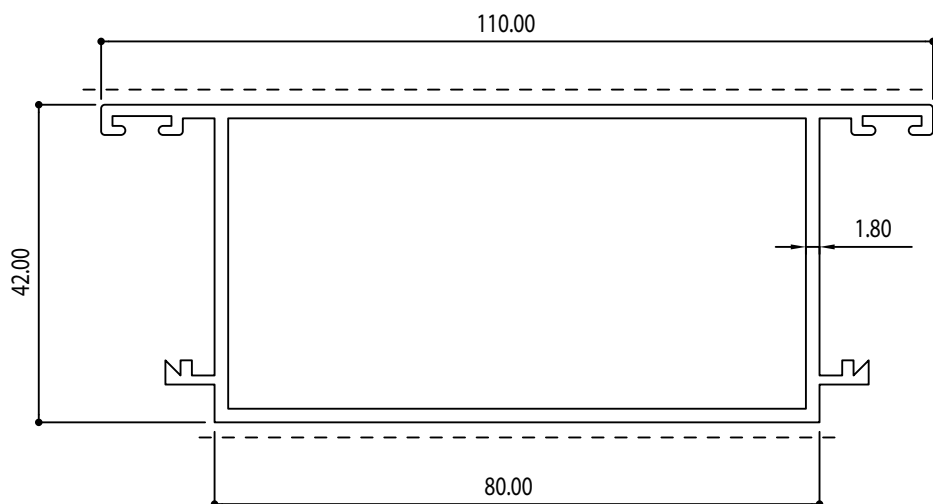


21028
(0.965 Kg/m)

* For export, not recommended for GCC usage



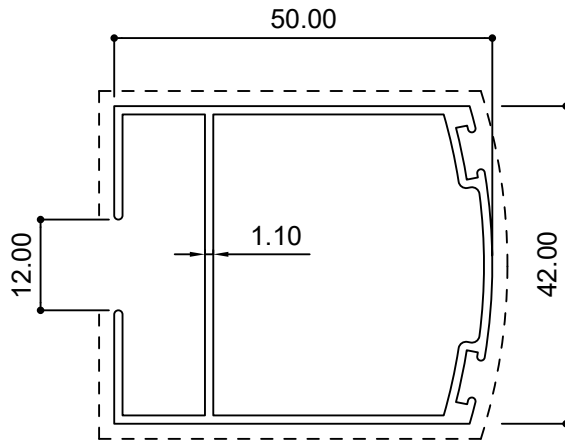
60065
(1.215 Kg/m)



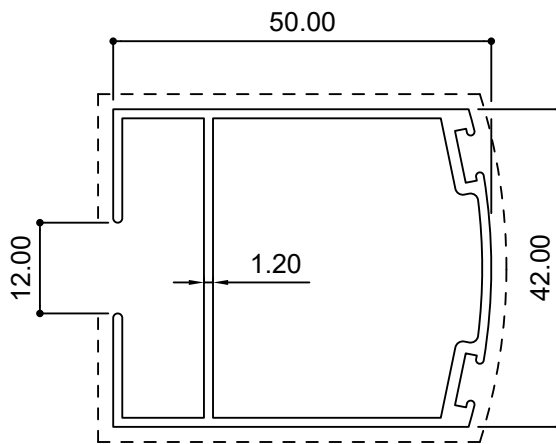
22025
(1.408 Kg/m)

* For export, not recommended for GCC usage

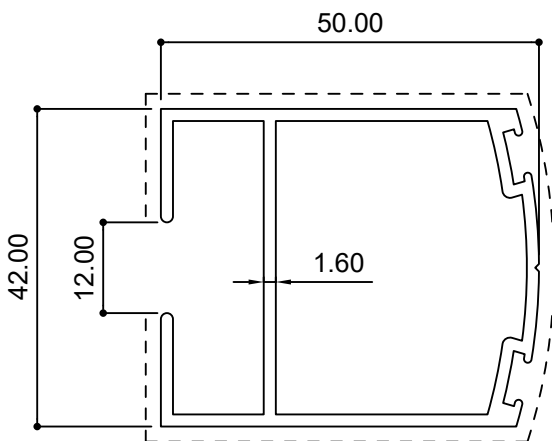
Swing 42mm



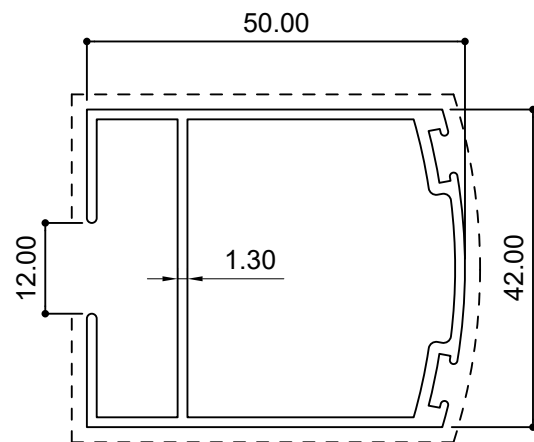
22278*
(0.649 Kg/m)



21061
(0.722 Kg/m)



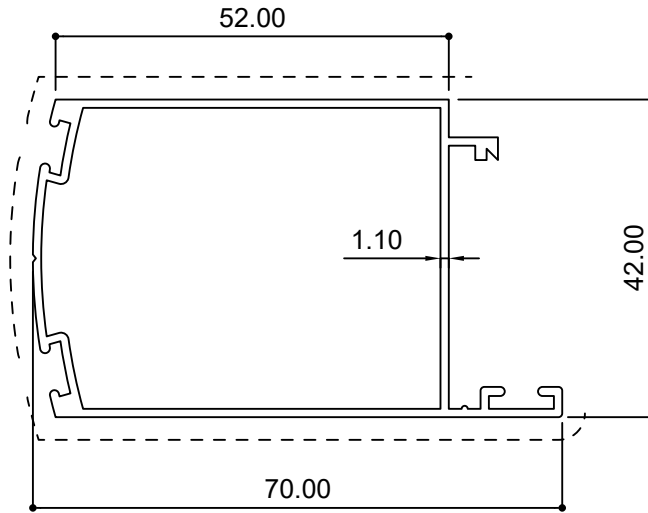
20060
(0.914 Kg/m)



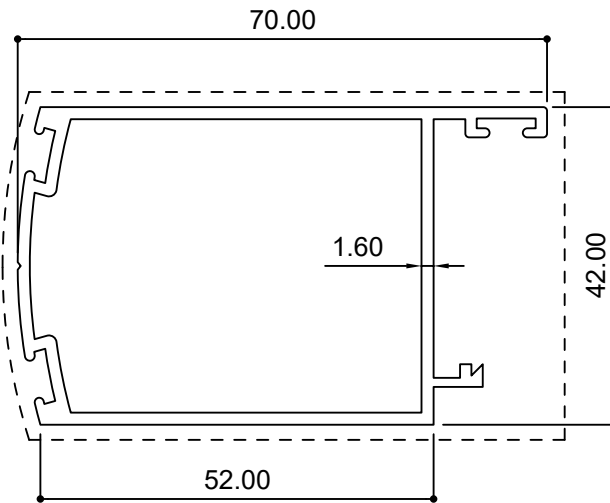
20232
(0.765 Kg/m)

* For export, not recommended for GCC usage

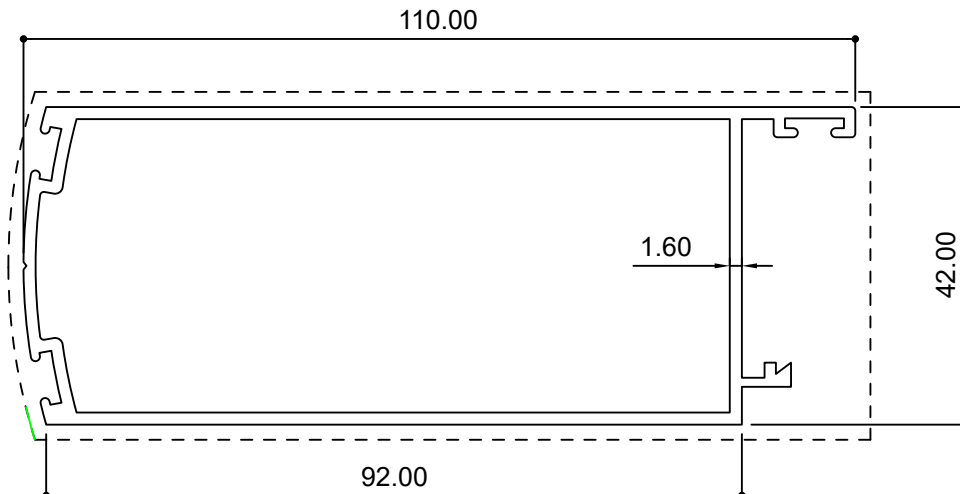
Swing 42mm



27161*
(0.710 Kg/m)



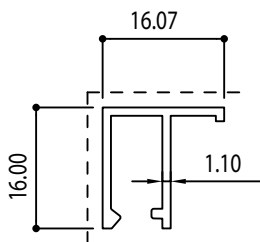
20056
(1.052 Kg/m)



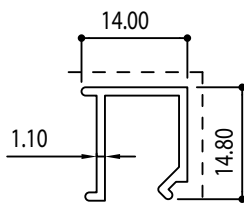
21757
(1.316 Kg/m)

* For export, not recommended for GCC usage

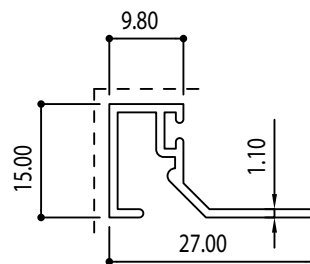
Beadings



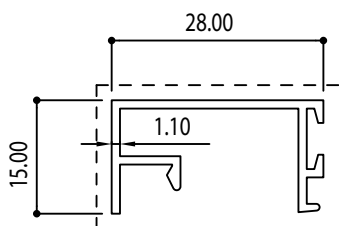
10345*
(0.150 Kg/m)



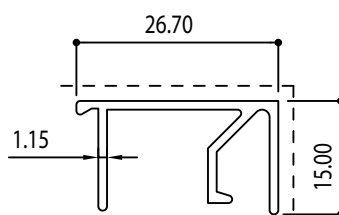
11102*
(0.134 Kg/m)



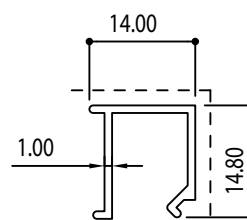
12527*
(0.184 Kg/m)



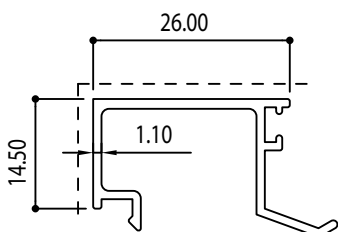
12161*
(0.221 Kg/m)



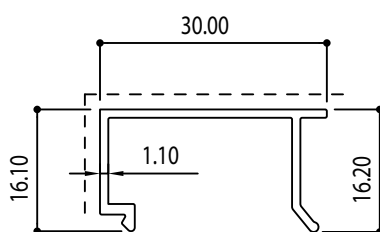
11900*
(0.221 Kg/m)



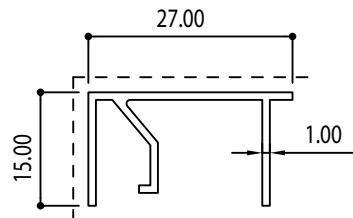
11680*
(0.123 Kg/m)



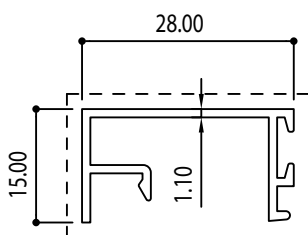
12674*
(0.241 Kg/m)



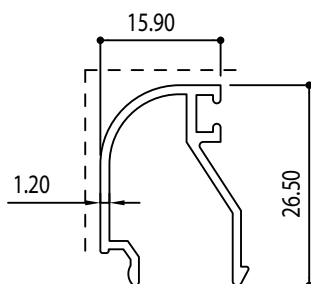
13768*
(0.196 Kg/m)



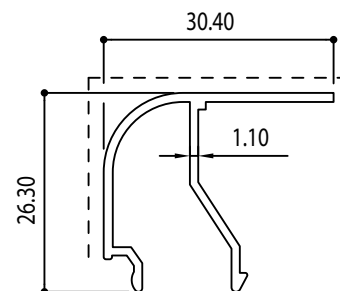
11686*
(0.191 Kg/m)



12526*
(0.220 Kg/m)



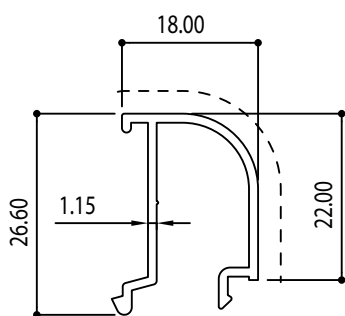
12634*
(0.235 Kg/m)



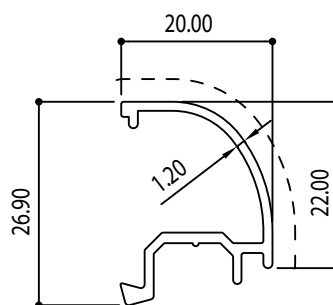
12635*
(0.261 Kg/m)

* For export, not recommended for GCC usage

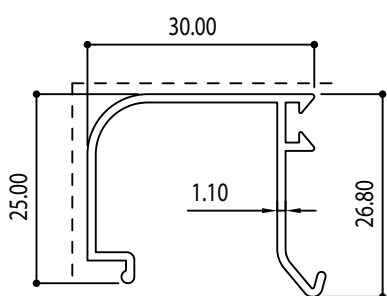
Beadings



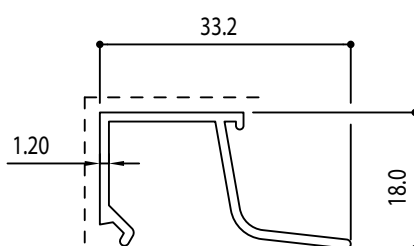
16341
(0.234 Kg/m)



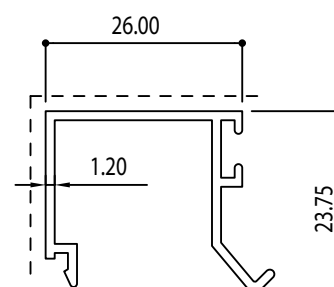
16371
(0.231 Kg/m)



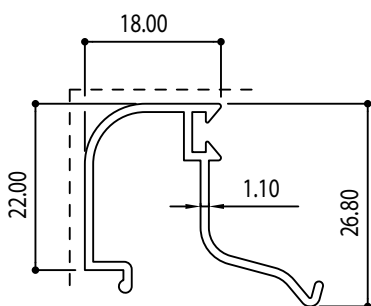
12592*
(0.272 Kg/m)



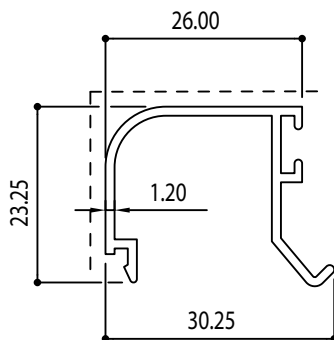
12077
(0.219 Kg/m)



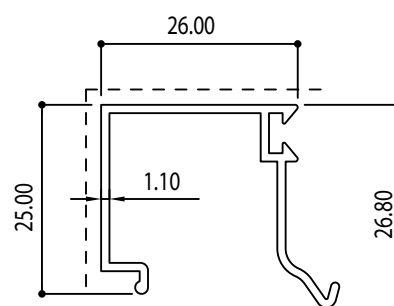
11246
(0.274 Kg/m)



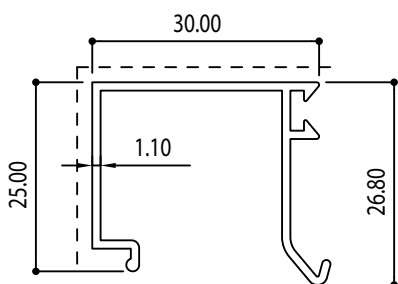
12593*
(0.257 Kg/m)



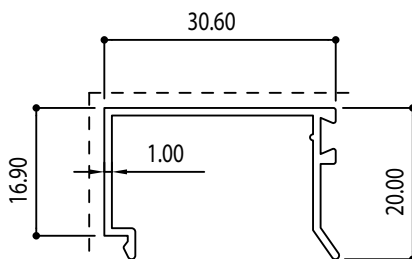
11839
(0.263 Kg/m)



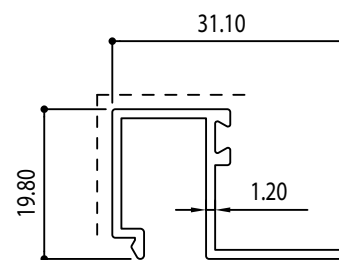
12654*
(0.273 Kg/m)



12655*
(0.282 Kg/m)



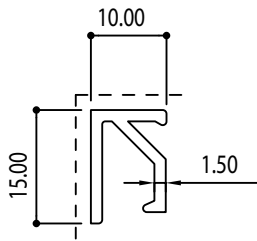
14626*
(0.210 Kg/m)



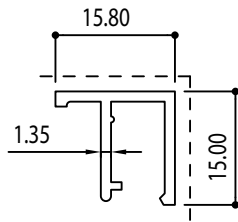
11216
(0.252 Kg/m)

* For export, not recommended for GCC usage

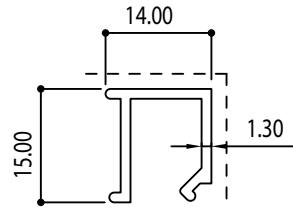
Beadings



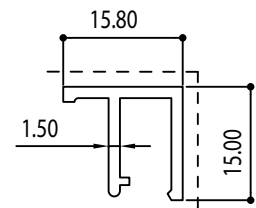
10187
(0.165 Kg/m)



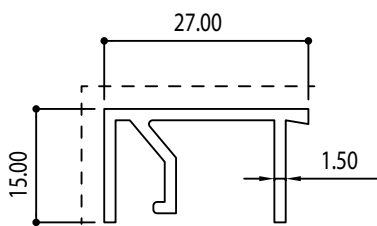
65007
(0.163 Kg/m)



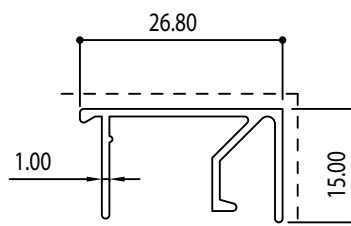
10088
(0.162 Kg/m)



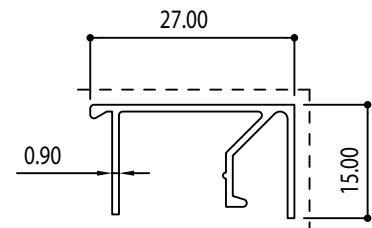
10059
(0.177 Kg/m)



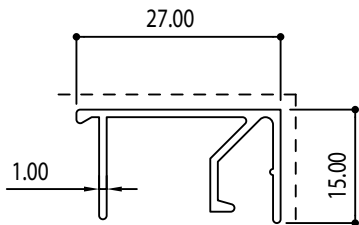
14174
(0.283 Kg/m)



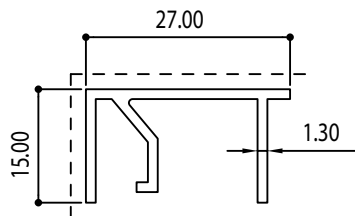
65005*
(0.198 Kg/m)



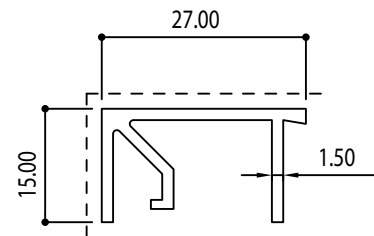
65017*
(0.180 Kg/m)



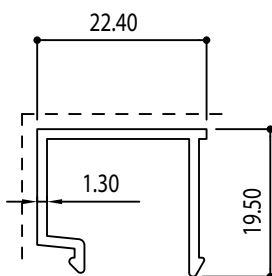
65013*
(0.198 Kg/m)



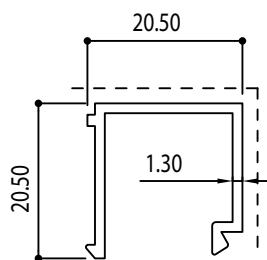
10089
(0.246 Kg/m)



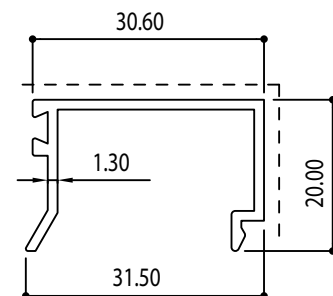
10058
(0.284 Kg/m)



10157
(0.255 Kg/m)



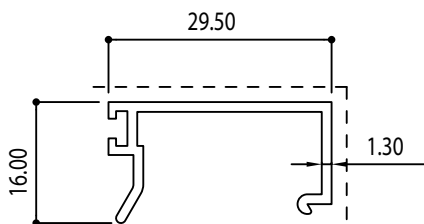
10682
(0.220 Kg/m)



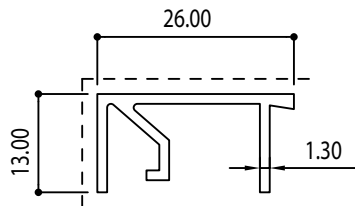
10245
(0.252 Kg/m)

* For export, not recommended for GCC usage

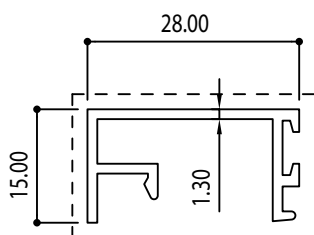
Beadings



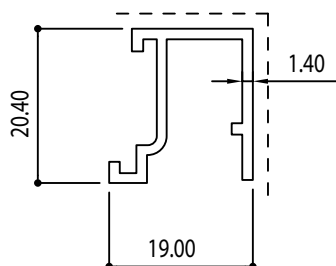
10097
(0.212 Kg/m)



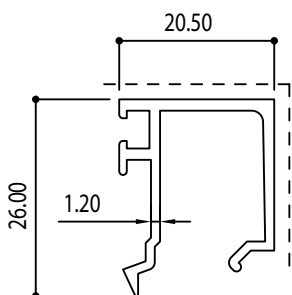
10125
(0.229 Kg/m)



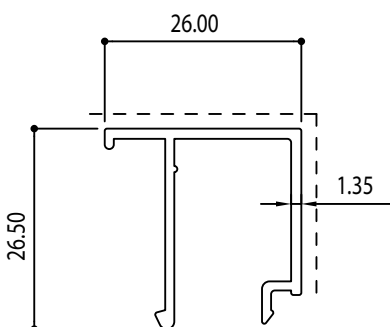
10415
(0.257 Kg/m)



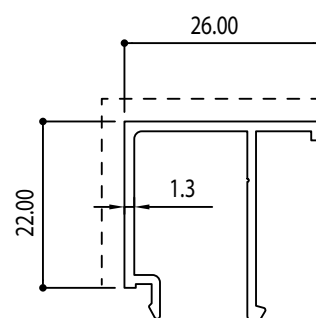
10815
(0.243 Kg/m)



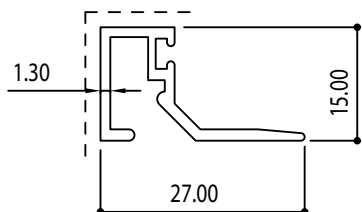
10165
(0.273 Kg/m)



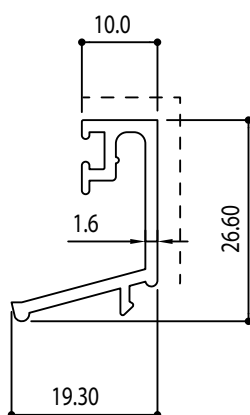
65011
(0.287 Kg/m)



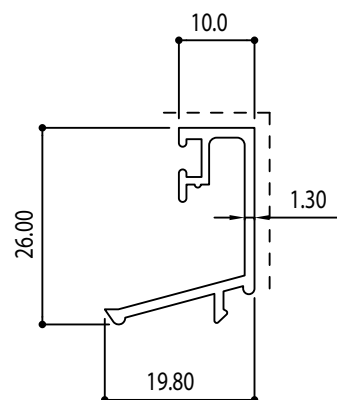
16126
(0.275 Kg/m)



10414
(0.216 Kg/m)



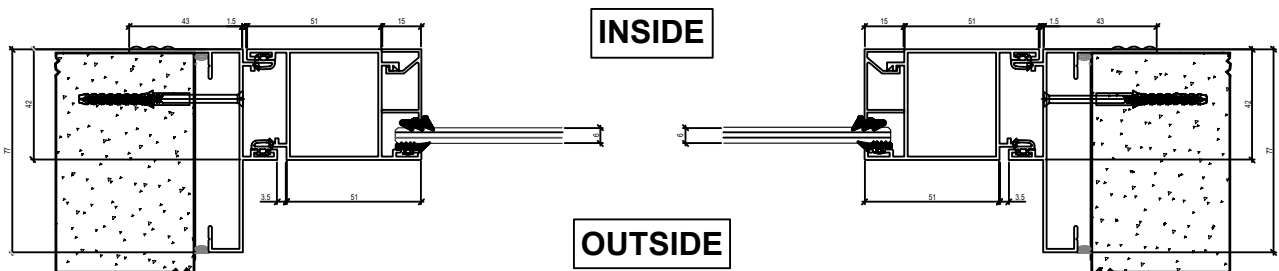
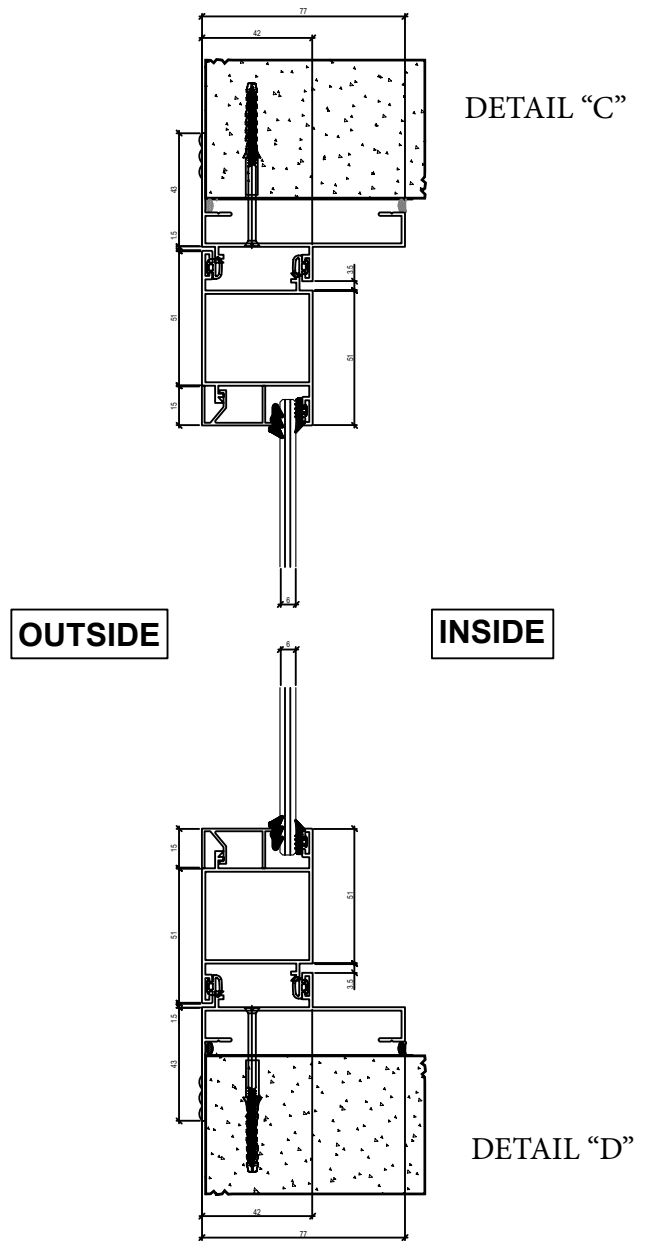
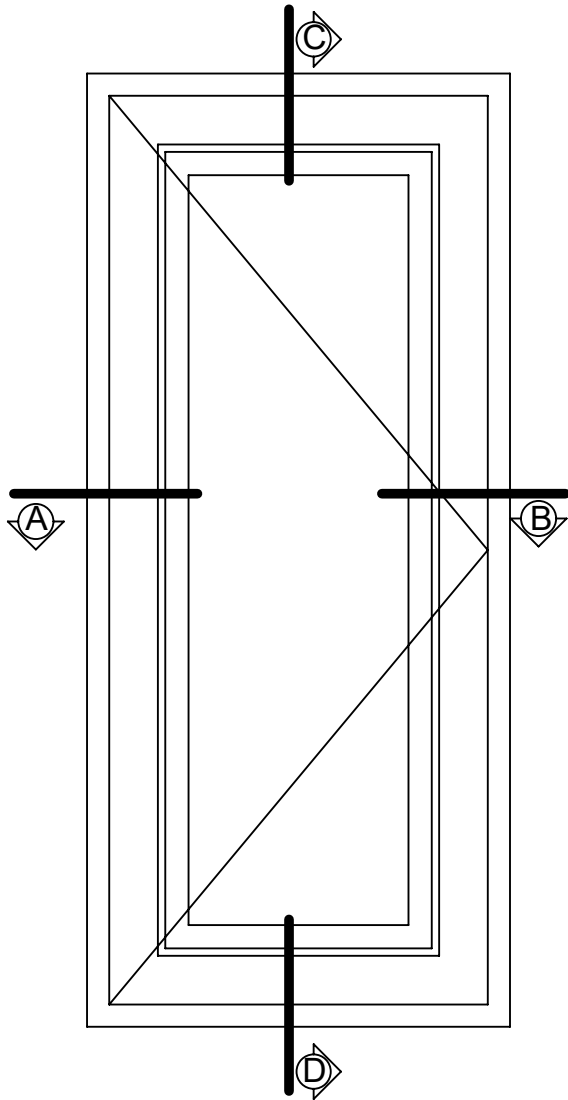
16143
(0.275 Kg/m)



65012
(0.228 Kg/m)

* For export, not recommended for GCC usage

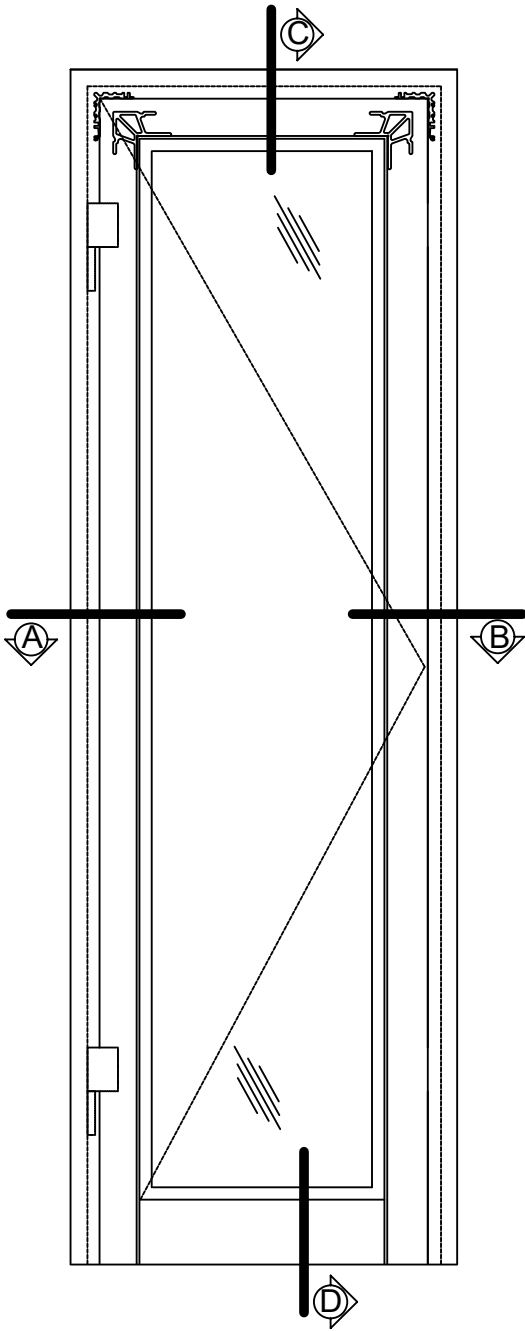
Cross Section



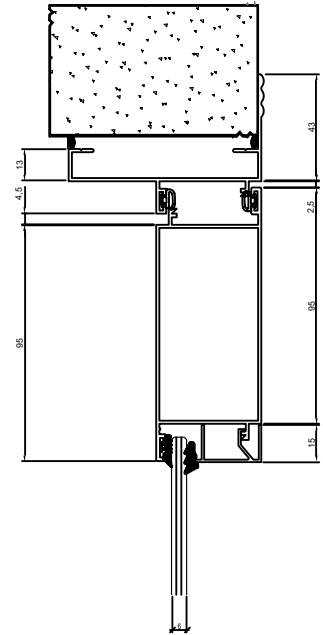
DETAIL "A"

DETAIL "B"

Cross Section



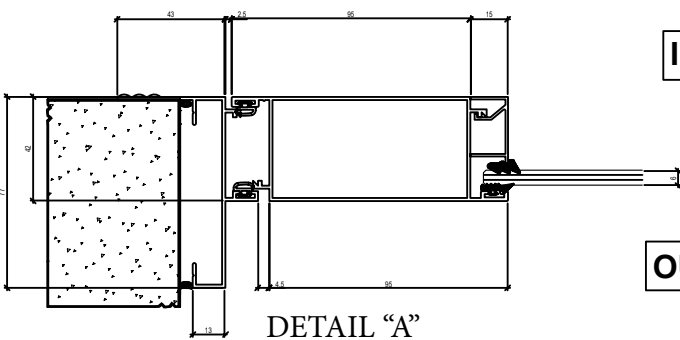
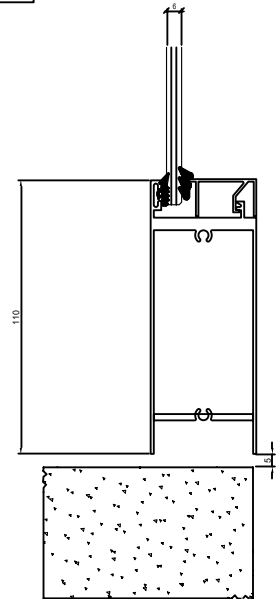
DETAIL "C"



OUTSIDE

INSIDE

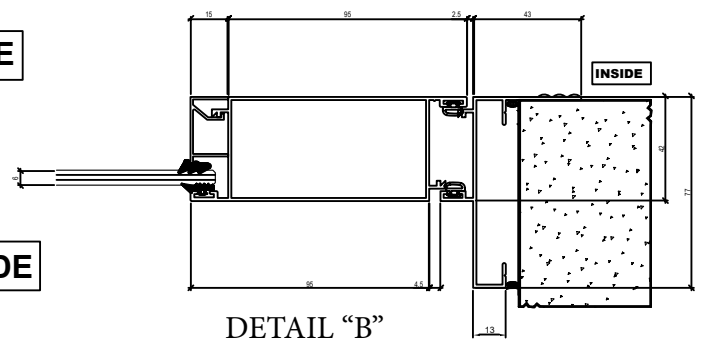
DETAIL "D"



DETAIL "A"

INSIDE

OUTSIDE



DETAIL "B"

Section No	Page No
10058	78
10059	78
10060	23
10061	33
10062	13
10063	10
10064	10
10066	31
10084	10
10088	78
10089	78
10090	11
10097	79
10125	79
10157	78
10165	79
10187	78
10235	33
10244	11
10245	78
10345	76
10367	11
10369	11
10370	20
10376	34
10398	22
10414	79
10415	79
10416	11
10417	25
10419	37
10519	29
10553	19
10682	78
10697	34
10738	30
10797	26
10815	79
11027	12
11053	26

Section No	Page No
11057	18
11071	18
11074	18
11075	10
11084	30
11100	12
11102	76
11109	12
11111	12
11115	50
11141	20
11155	16
11207	22
11213	25
11214	21
11216	77
11246	77
11282	9
11283	9
11292	10
11293	37
11500	26
11548	31
11549	27
11680	76
11686	76
11688	9
11839	77
11874	17
11900	76
11914	36
12077	77
12079	17
12094	17
12161	76
12162	24
12163	22
12211	27
12231	28
12384	50

Section No	Page No
12385	16
12386	16
12388	9
12436	32
12437	9
12497	20
12502	32
12524	12
12526	76
12527	76
12529	19
12566	21
12568	24
12592	77
12593	77
12603	38
12629	21
12634	76
12635	76
12654	77
12655	77
12656	19
12674	76
12882	35
12884	9
13768	76
14173	34
14174	78
14177	13
14476	28
14626	77
16126	79
16143	79
16341	77
16371	77
20052	68
20053	68
20054	58
20055	71
20056	75

Section No	Page No
20057	48
20058	54
20059	66
20060	74
20061	51
20062	51
20063	55
20079	68
20080	48
20081	14
20120	15
20185	66
20231	51
20232	74
20243	51
20308	43
20310	40
20311	61
20312	47
20383	42
20384	64
20424	60
20504	68
20505	57
20530	47
20531	59
20532	71
20533	57
20534	68
20585	56
20586	66
20602	60
20717	48
20755	72
20760	52
20771	60
20824	55
20825	63
20826	62
20992	40

Section No	Page No
21026	63
21027	41
21028	72
21038	14
21045	48
21047	70
21054	15
21061	74
21065	68
21083	64
21084	42
21097	69
21111	47
21132	60
21133	70
21150	14
21151	48
21201	70
21224	69
21252	58
21253	46
21281	72
21373	62
21459	56
21572	46
21605	49
21757	75
21763	14
21773	47
21781	54
21785	69
21786	57
21891	67
21899	67
21914	46
21915	50
21957	13
21963	40
21964	62
22025	73

Section No	Page No
22130	15
22131	67
22180	58
22181	70
22185	53
22188	67
22189	57
22278	74
22283	52
22284	59
22365	47
22377	15
22474	70
22475	50
22498	50
23081	46
23556	58
23557	70
24334	71
26856	54
27161	75
60008	53
60009	46
60010	71
60011	42
60012	56
60013	65
60014	66
60015	53
60016	65
60017	44
60018	43
60019	41
60021	49
60022	44
60023	48
60024	69
60025	67
60026	49
60027	49





**NATIONAL ALUMINIUM
PRODUCTS COMPANY SAOG**

OMAN

Corporate Office and Factory
National Aluminum Products Co.
PO Box 15, Rusayl, PC 124, Sultanate of Oman
Phone: +968 24446450, Fax: +968-24446453
Email: sales@napco.co.om, info@napco.co.om

UAE

National Aluminum Products Co. - Branch Office
PO Box 116912, Dubai,
Office 34, Shuraa Business Center
6C Al Abraj St, Business Bay, 29th floor-Prime Tower-Dubai
Phone: +971 045236200

INDIA

NAPCO Extrusions India LLP
4 , Odyssey IT Park,
Road No. 9, Wagle Industrial Estate,
Thane (West) - 400604.
Phone: +91 2220814444

www.napcooman.com