



NATIONAL ALUMINIUM
PRODUCTS COMPANY SAOG

N105 Catalogue



01-2020-V.03

All rights reserved.

No part of this publication may be reproduced, stored in a retrieval system or transmitted in any form or by any means electronic, mechanical, photocopying, recording or otherwise, without prior permission of NAPCO.



HIS MAJESTY SULTAN QABOOS BIN SAID



Index

Company Profile	05
Technical Information	06
Cloud 105	08
Cross-Sections	34
Accessories List	40
Profile Index	48



About Us

National Aluminium Products Company SAOG (NAPCO) was established in 1984 and is one of the leading extruders of aluminium profiles in the GCC market. Located in the Sultanate of Oman, the manufacturing plant is spread over 65,000 sq meters in the Rusayl Industrial estate.

NAPCO offers a wide range of Aluminium profile extrusions in finishes that suit functional modern design specifications. The company has left its mark on the architectural landscape of the Middle East with its renowned quality products being used in a number of prominent structures.

Our annual production capacity is 42,000 MT with four (4) state of the art presses. The extrusion presses are complemented by one anodizing line and two powder coating lines (vertical & horizontal). NAPCO also houses two wood finish lines and a crimping and bending facility.

NAPCO's commitment to quality has made it the first extrusion company in the Gulf to receive ISO certifications. We are also the only public limited aluminium extrusion company in the entire GCC.

With a consistent focus on innovative production skills and high service standards, we will continue our objective to meet customer demands and expectations.

Technical Information on Aluminium extrusions supplied by NAPCO

A. Equipment & Capacity

Extrusion Press: 4

2000 MT (8') SMS Germany

2800 MT (9') Danieli Breda, Italy

1800 MT (7') Tecalex, Spain

1800 MT (7') Tecalex, Spain

Powder Coating Plant: 2

Horizontal Type, Ercon, UK

Vertical Type, Trasmetal, Italy

Anodizing Line: 1

SAS, Germany

Wood Finish: 2 NATURALL, Italy.

Crimping & Bending Facility.

- **Current Capacity Per Annum**

Extrusion: 42,000

Powder Coating: 27,000

Anodizing: 2,400

Wood Finish: 1,500

B. General Specification

Max profile size CCD 305mm

(*indicative size)

C. Product Range

NAPCO offers a range of over 6000 profiles to suit the architectural and manufacturing industry. NAPCO also develops exclusive dies for customers against their own designs.

- **Aluminium extrusions in:**

Mill Finish

Anodized

Powder Coated and Natural Wood Finish

- **Façade Systems:**

NAPCO is in partnership with world renowned façade system houses in the GCC. Please contact us to discuss your best-fit solution.

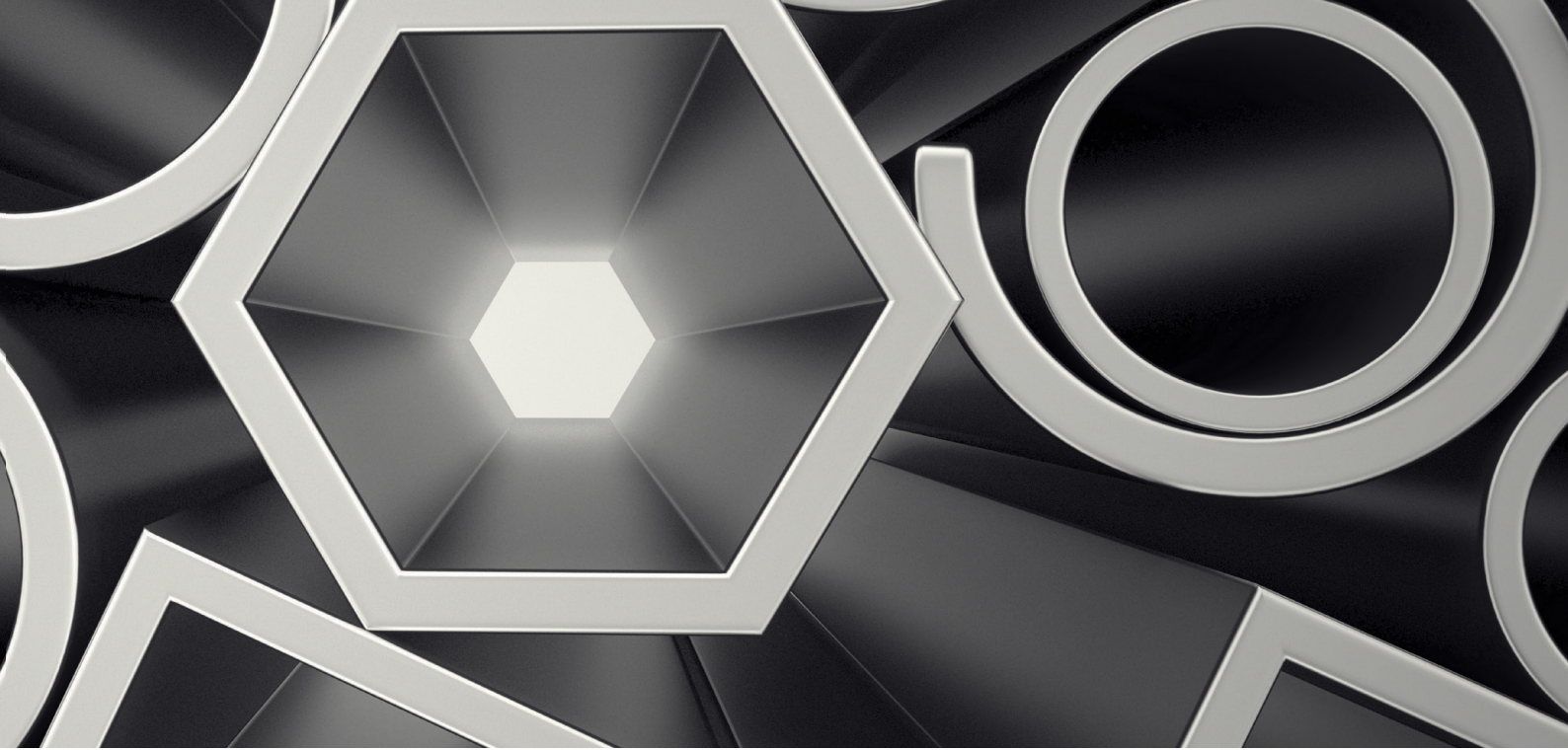
D. Anodizing

NAPCO has one anodizing line employing sulphuric acid anodizing process offering a wide range of colour shades such as Silver, Bronze and Black with scope of development of other shades to suit customer requirements.

Specifications: DC Sulphuric Acid Anodizin

As per EN 1 - 12373 and BS 1991 3987

Qualanod Approved



E: Powder Coating

NAPCO has two powder coating lines (horizontal & Vertical) with IR curing ovens. The colour coat thickness in exposed areas is Around 80-60 microns. The new vertical line is able to accommodate profile lengths up to 8 meters.

Qualicoat Approved.

Natural finish is available in seven combinations of Wood patterns.

Specification: As per 6496

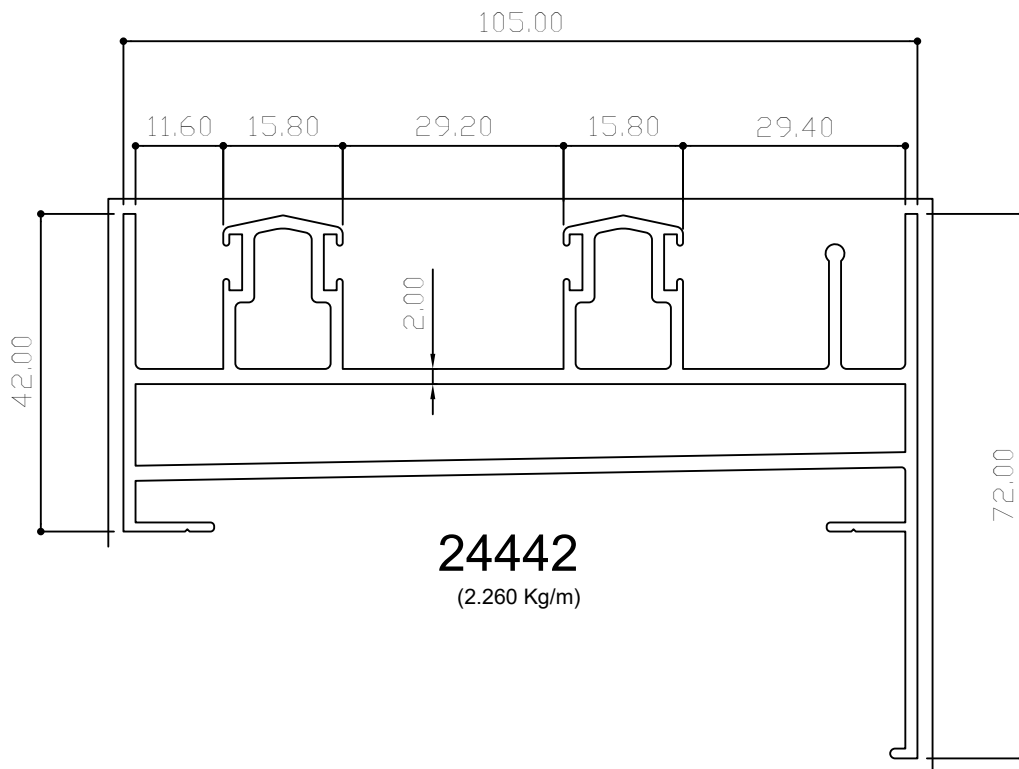
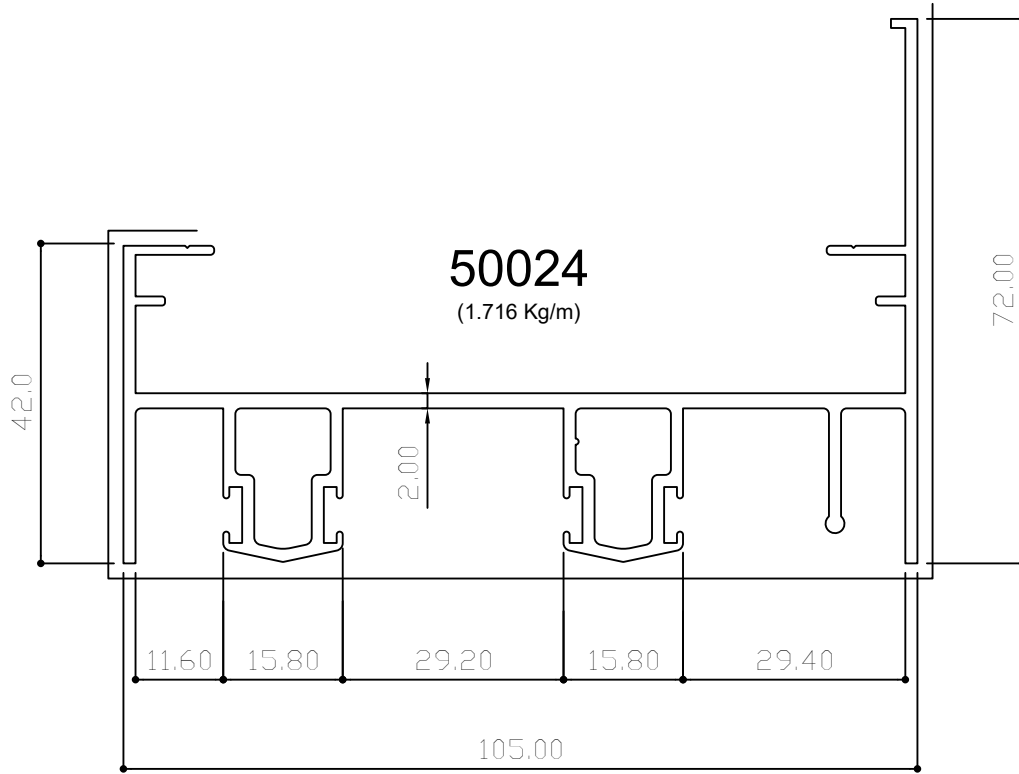
F. Certifications



Sliding - 105mm

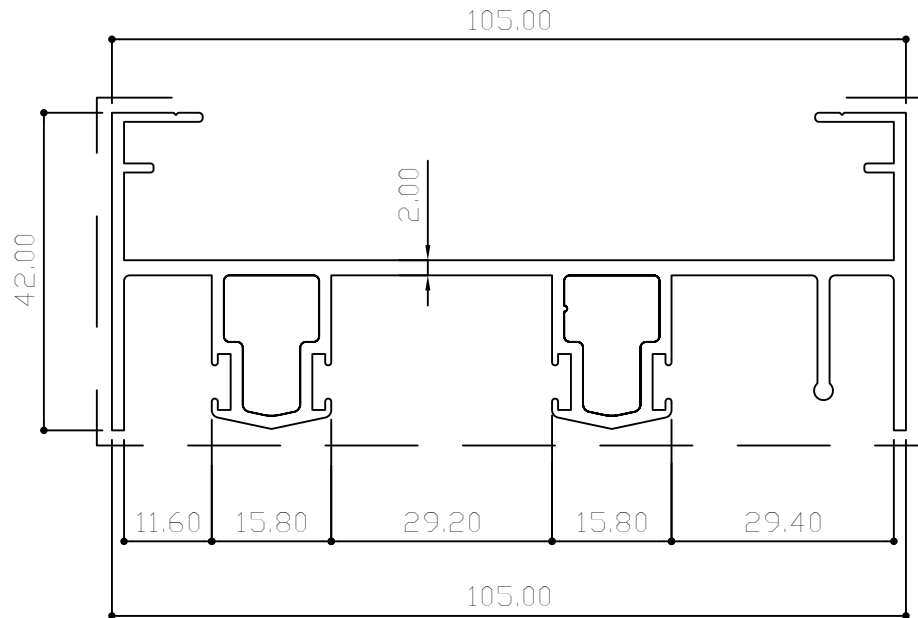


Frame Profile Sliding - 105mm

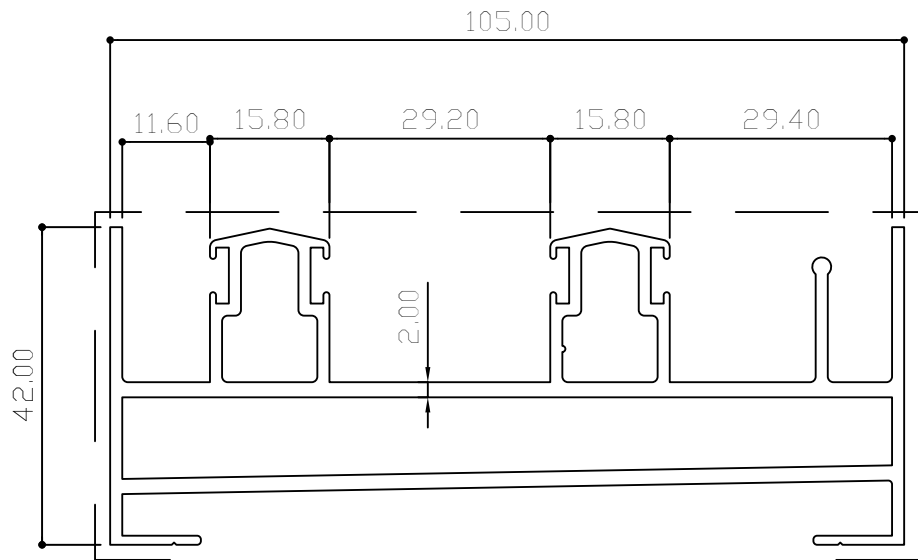


Frame Profile Sliding - 105mm

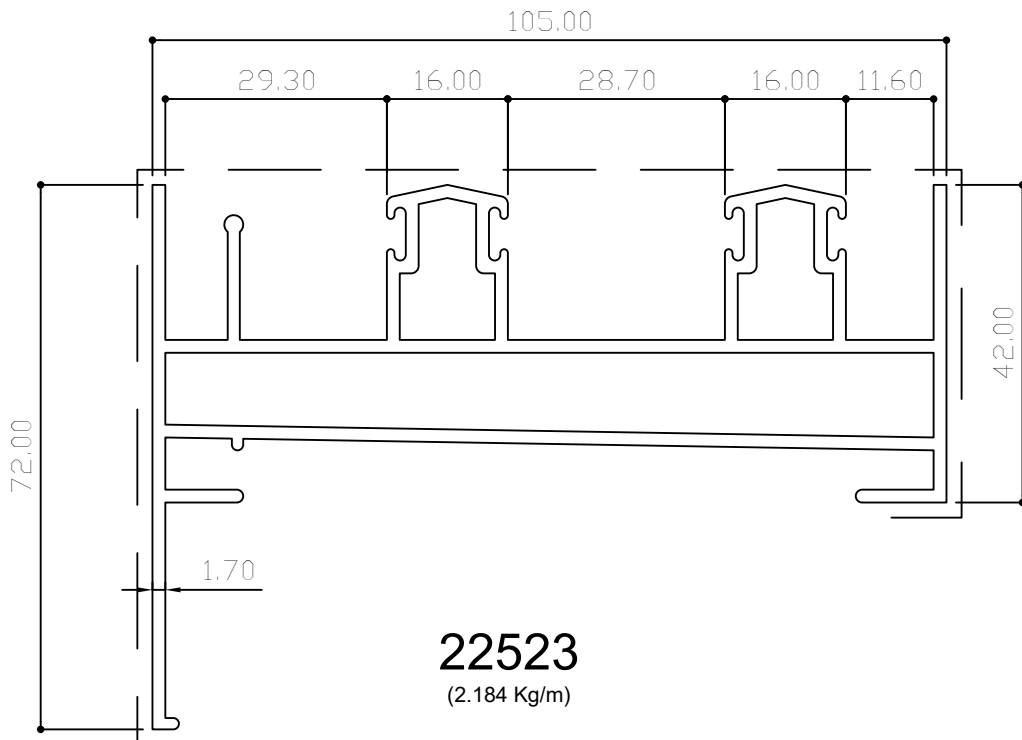
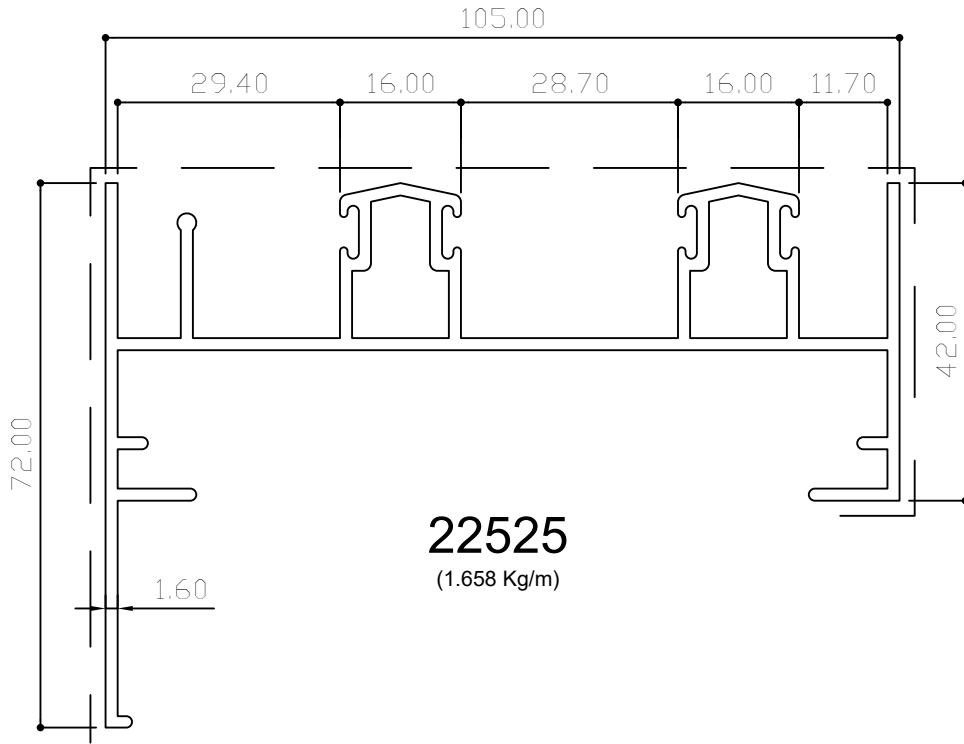
50025
(1.580 Kg/m)



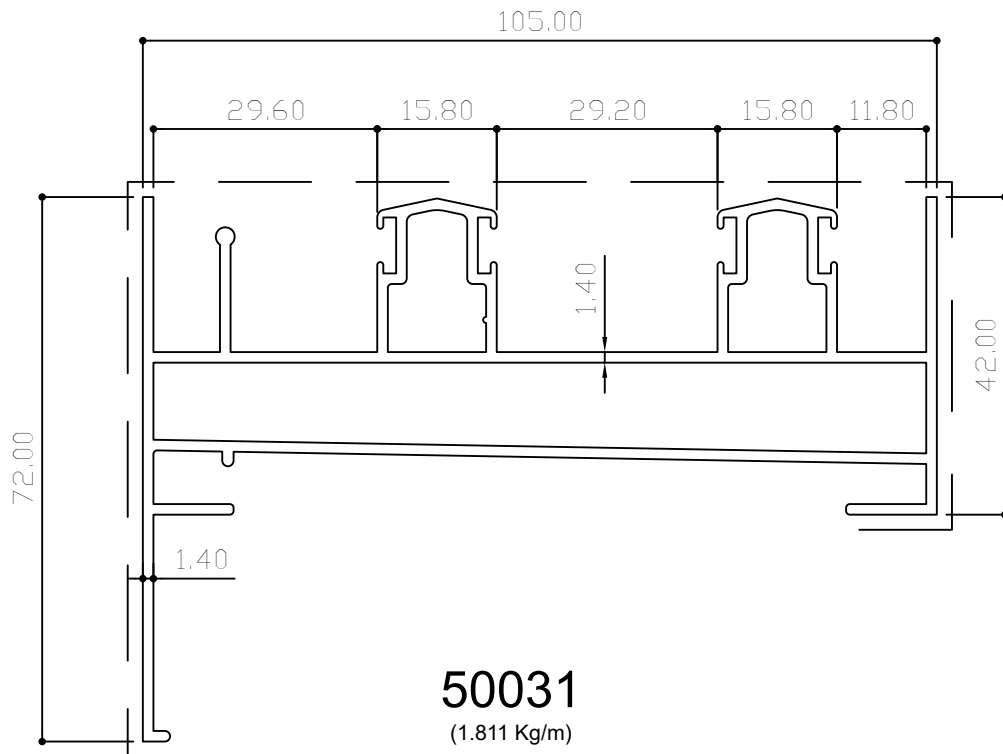
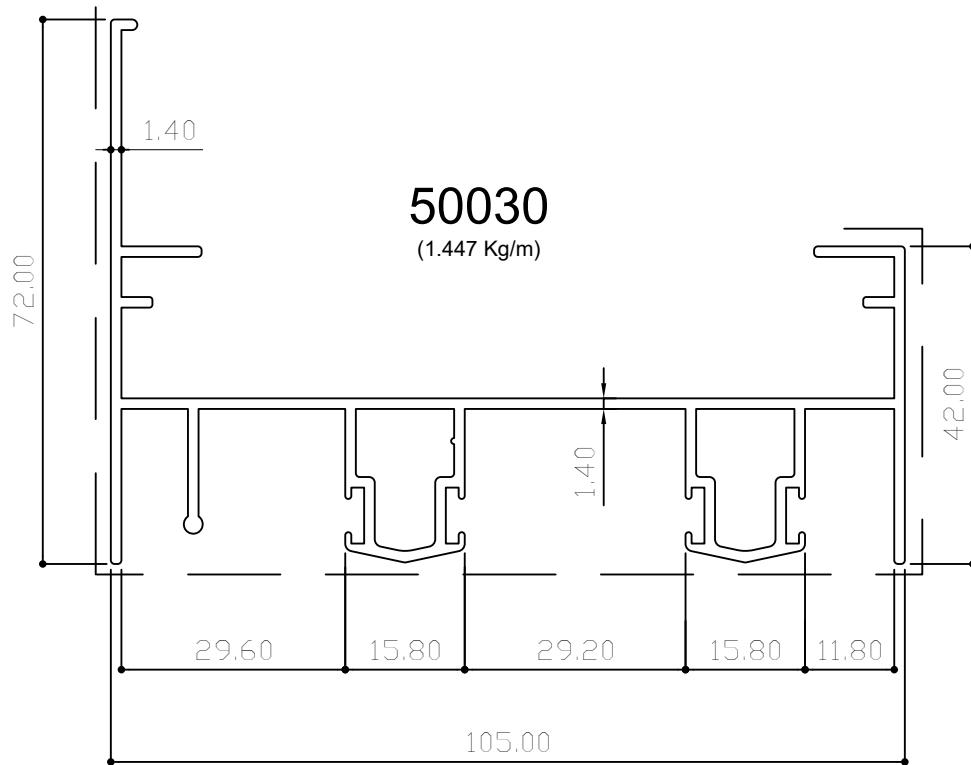
50026
(2.105 Kg/m)



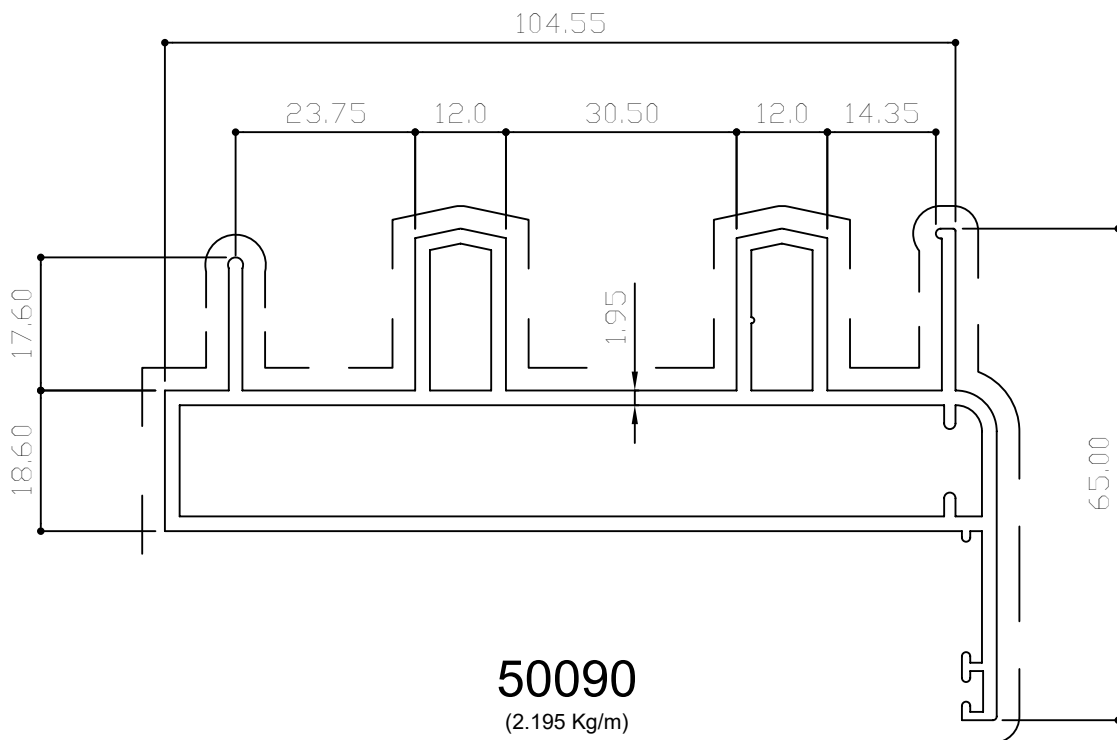
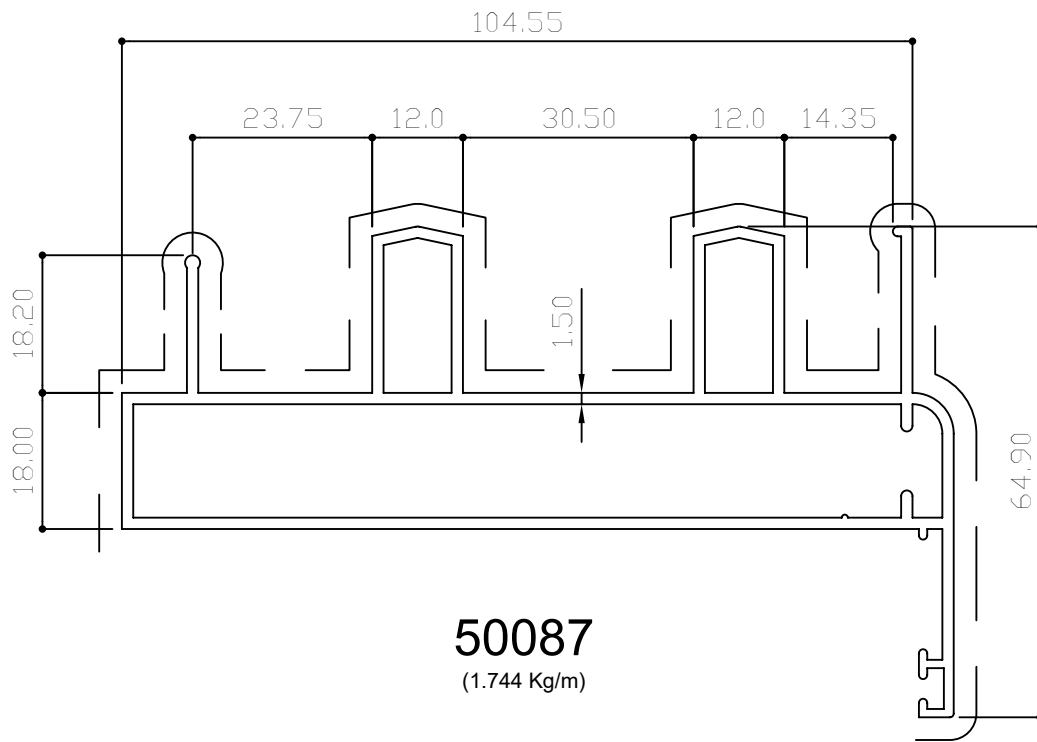
Frame Profile Sliding - 105mm



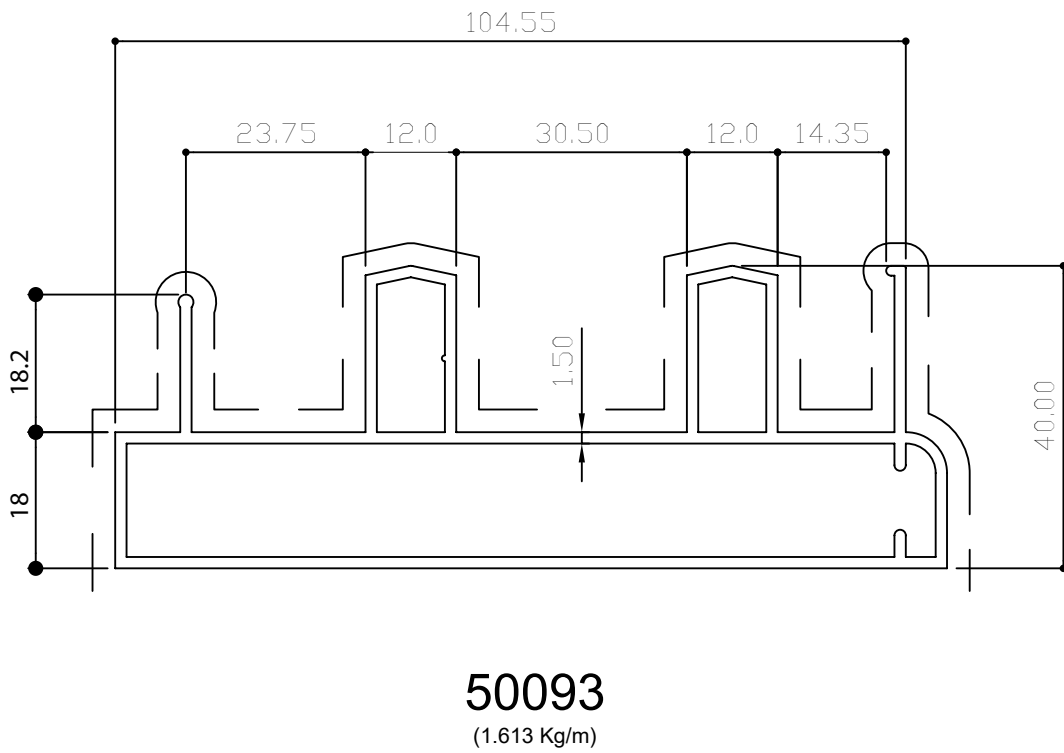
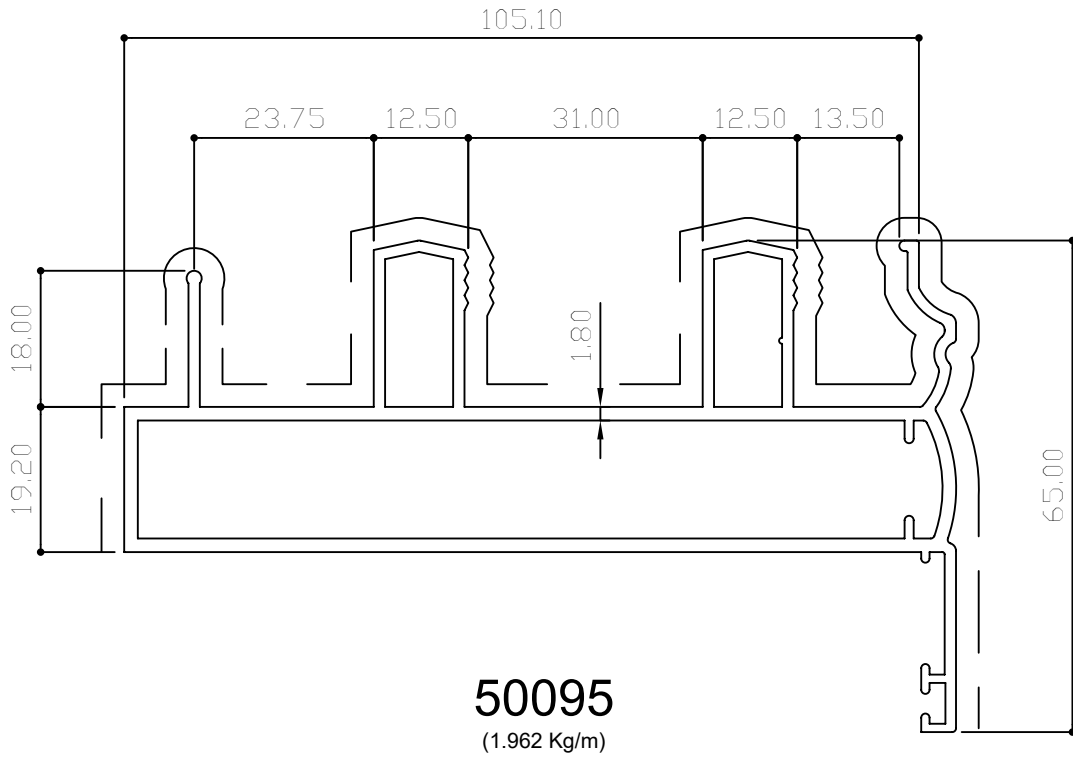
Frame Profile Sliding - 105mm



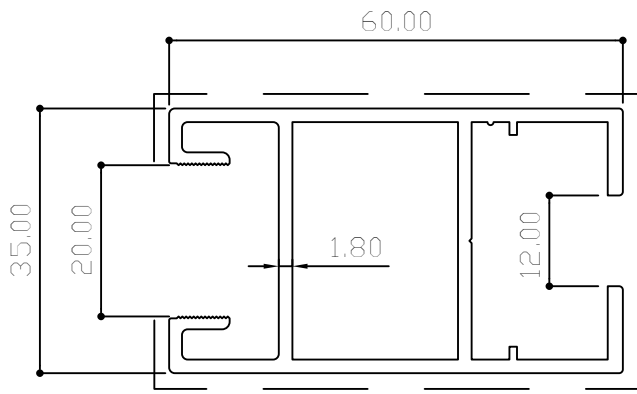
Frame Profile Sliding - 105mm



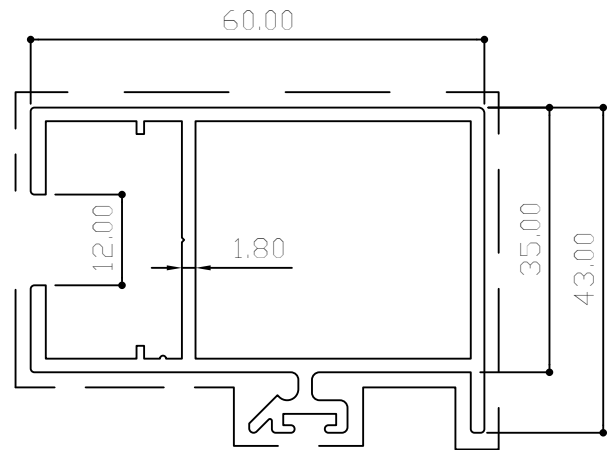
Frame Profile Sliding - 105mm



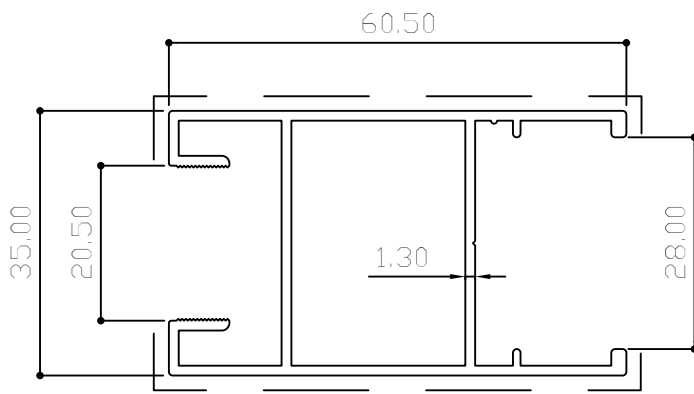
SASH & INTERLOCK



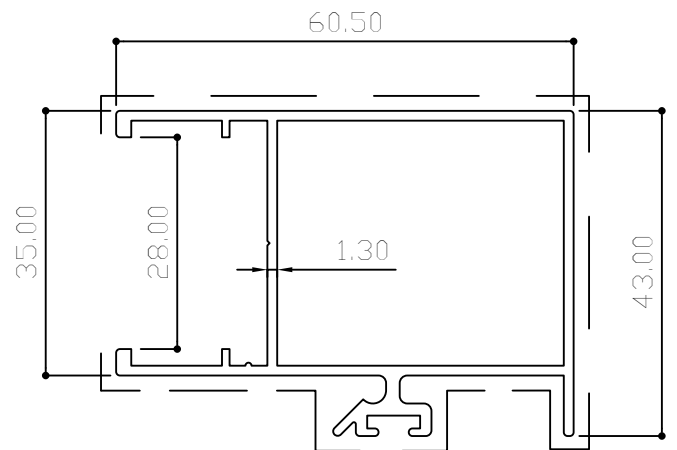
50027
(1.106 Kg/m)



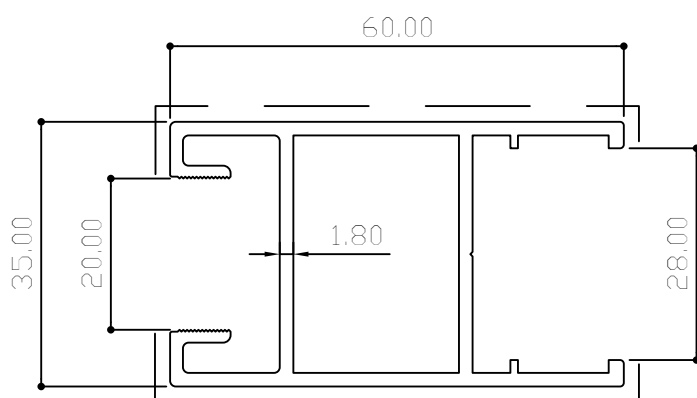
50028
(1.154 Kg/m)



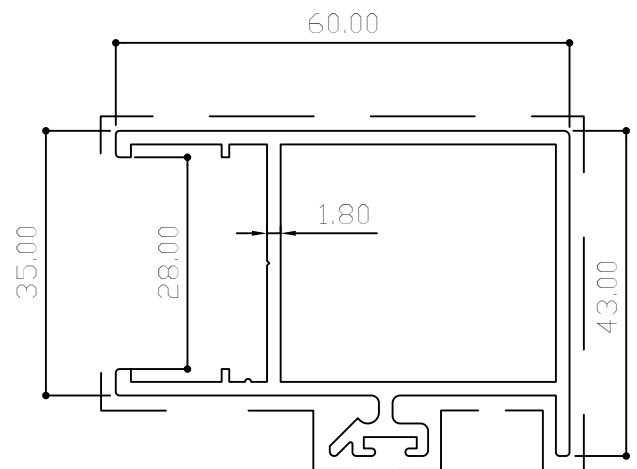
50034
(0.779 Kg/m)



50036
(0.822 Kg/m)

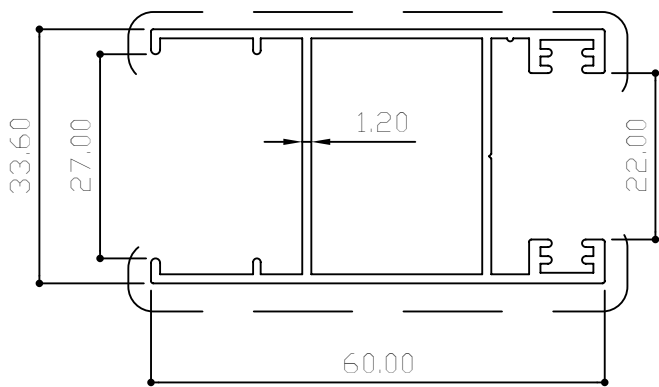


24443
(1.019 Kg/m)

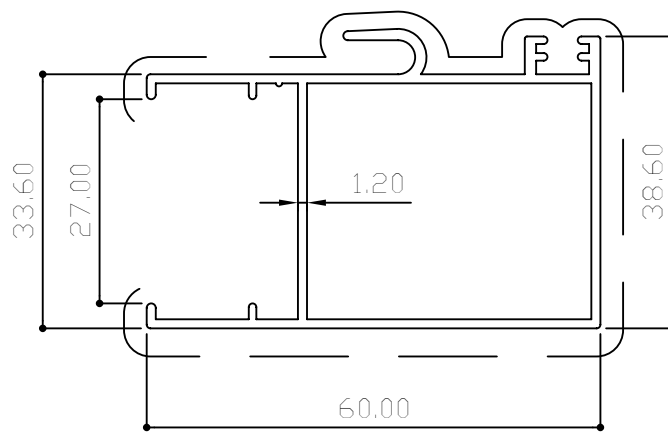


24444
(1.067 Kg/m)

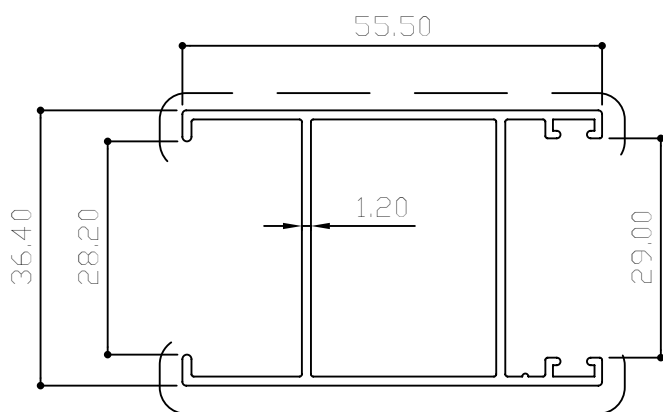
SASH & INTERLOCK



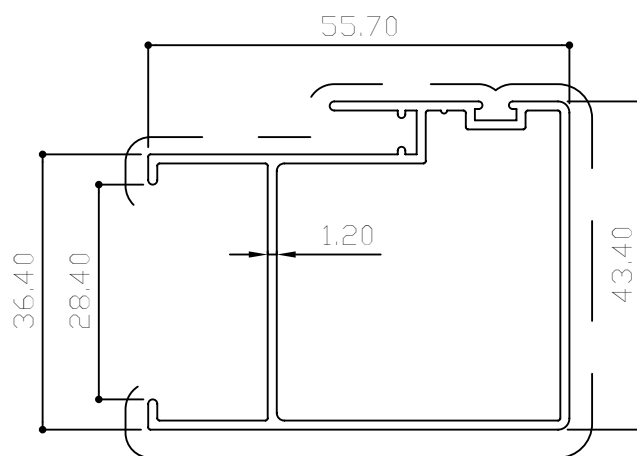
50038
(0.727 Kg/m)



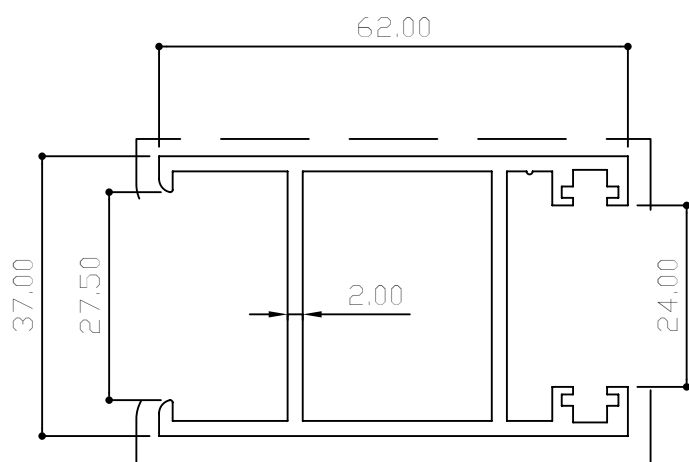
50040
(0.726 Kg/m)



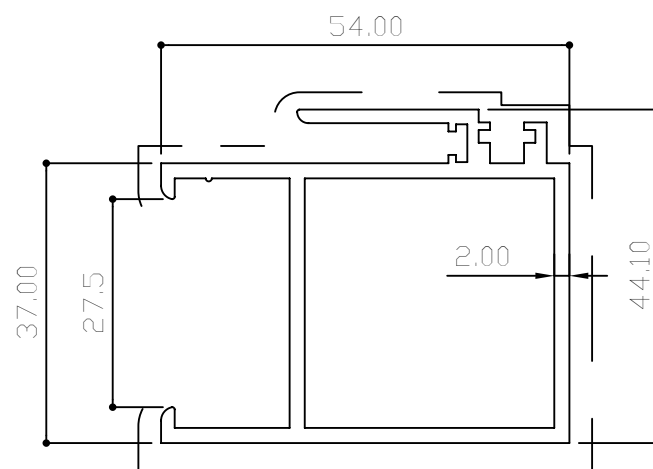
50056
(0.635 Kg/m)



50064
(0.743 Kg/m)

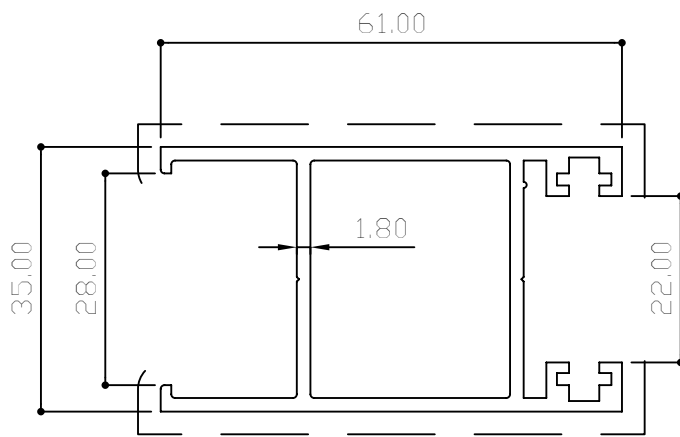


50098
(1.154 Kg/m)

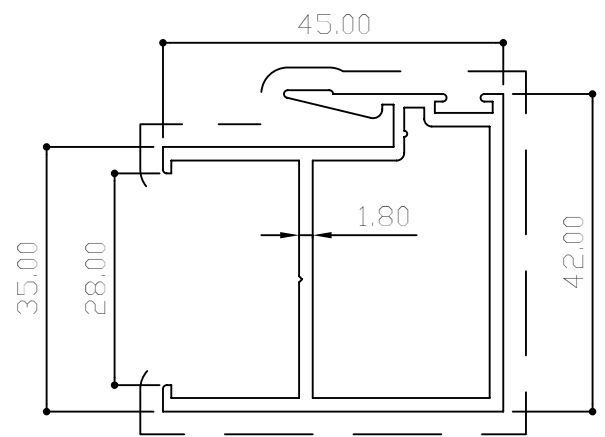


50097
(1.159 Kg/m)

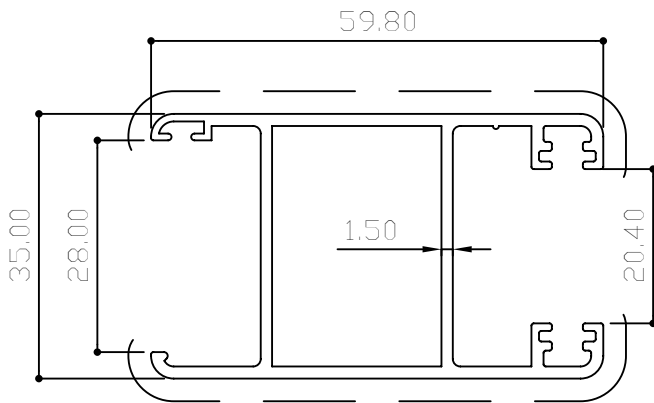
SASH & INTERLOCK



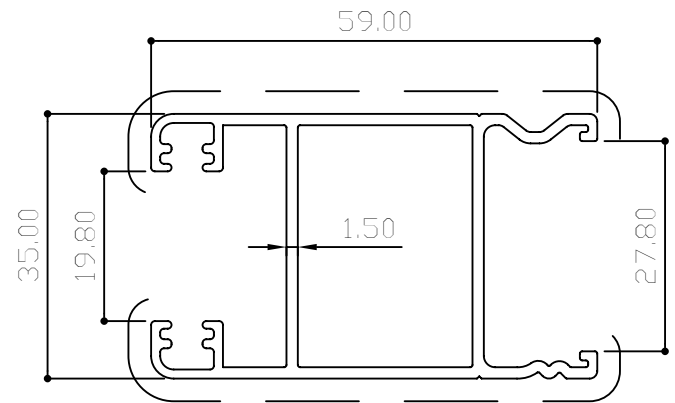
50107
(1.028 Kg/m)



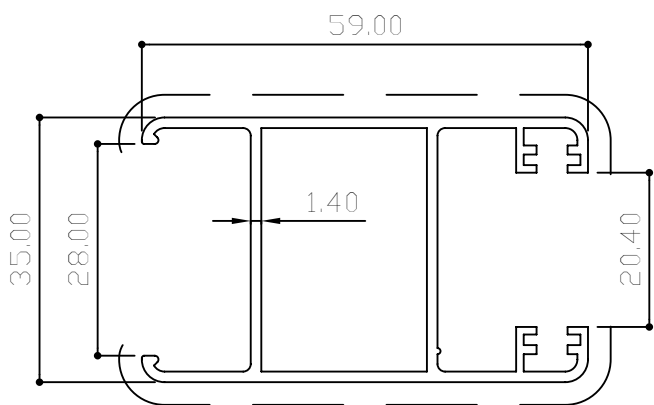
50106
(0.907 Kg/m)



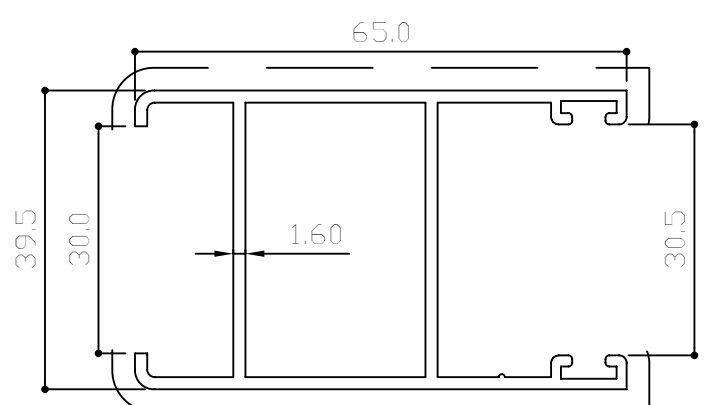
50092
(0.895 Kg/m)



50094
(0.865 Kg/m)

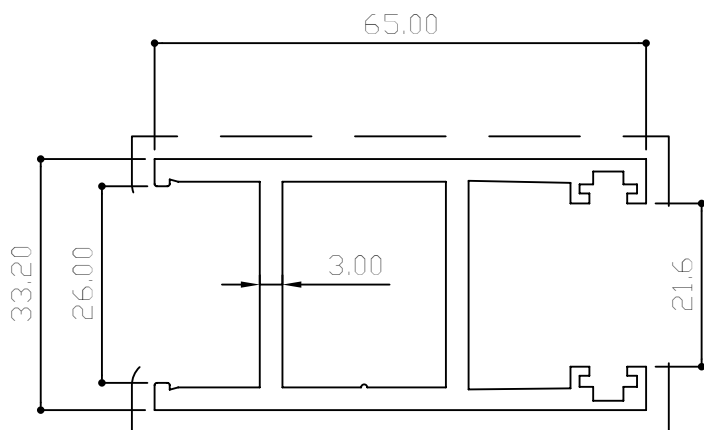


50086
(0.806 Kg/m)

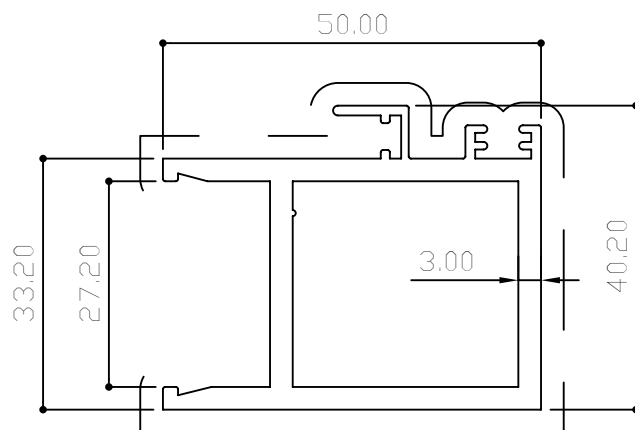


50101
(0.952 Kg/m)

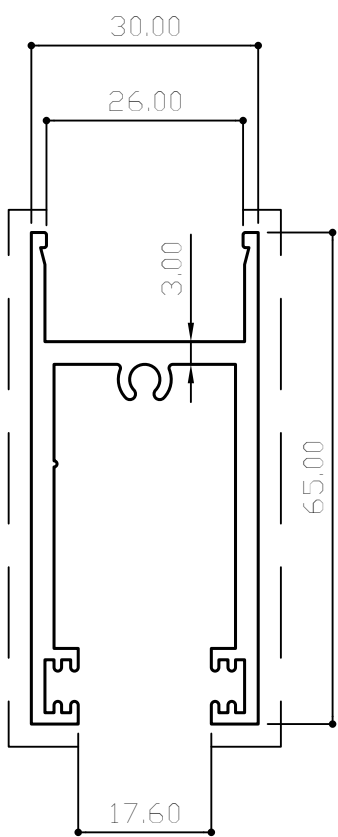
SASH & INTERLOCK



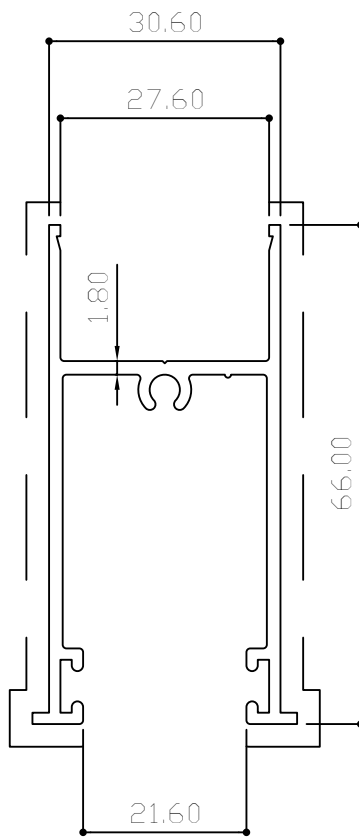
50066
(1.517 Kg/m)



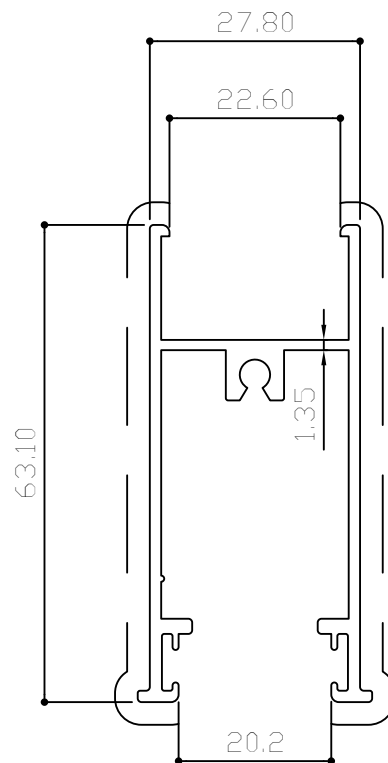
50068
(1.343 Kg/m)



55039
(1.231 Kg/m)

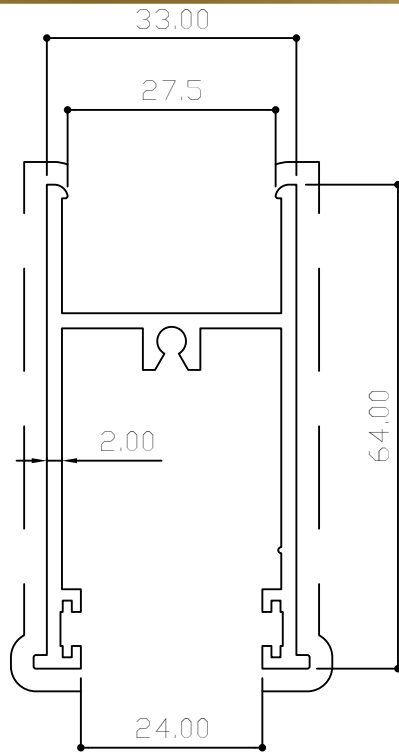


55060
(0.855 Kg/m)

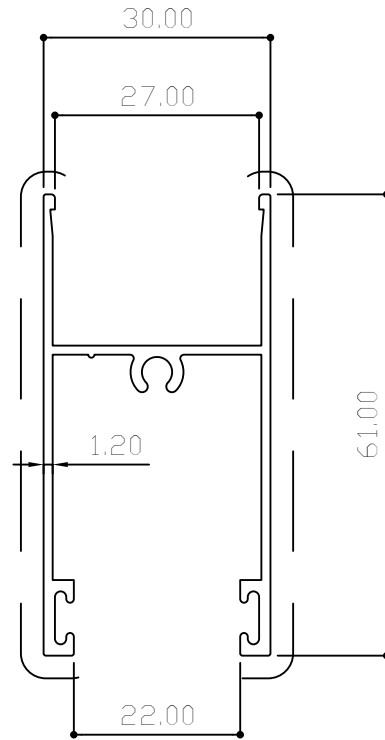


55057
(0.793 Kg/m)

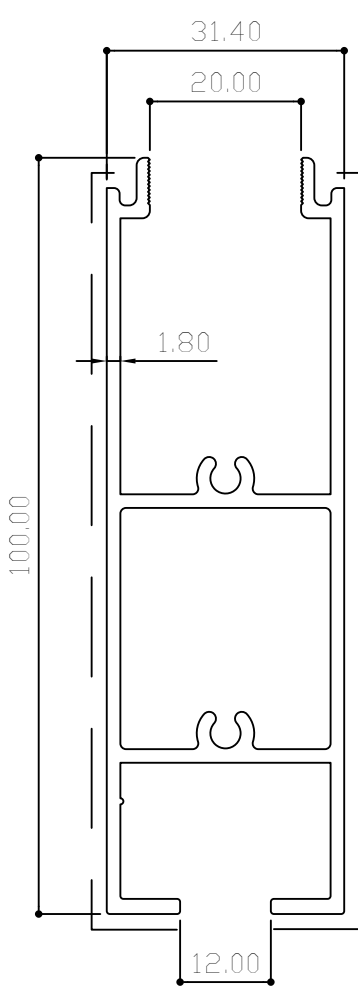
SASH



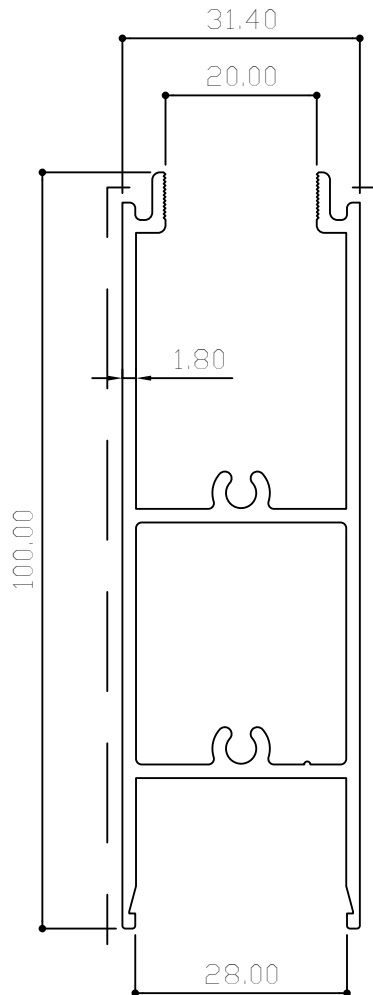
55056
(0.990 Kg/m)



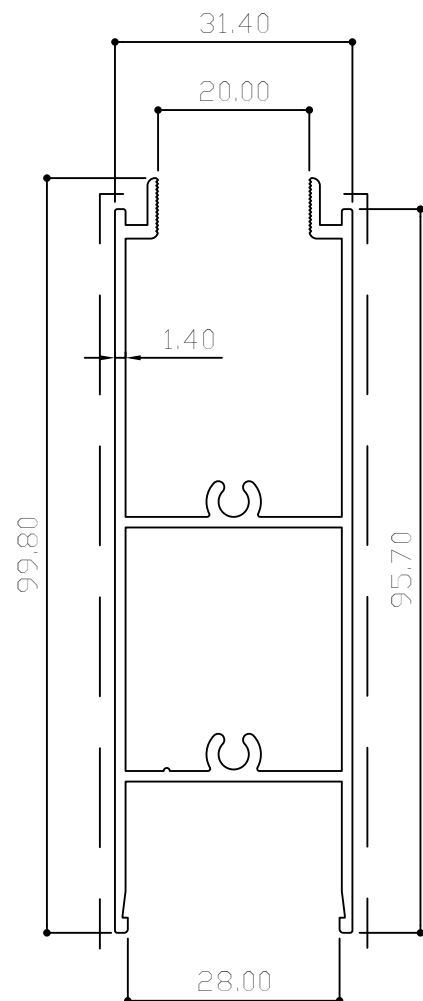
55017
(0.605 Kg/m)



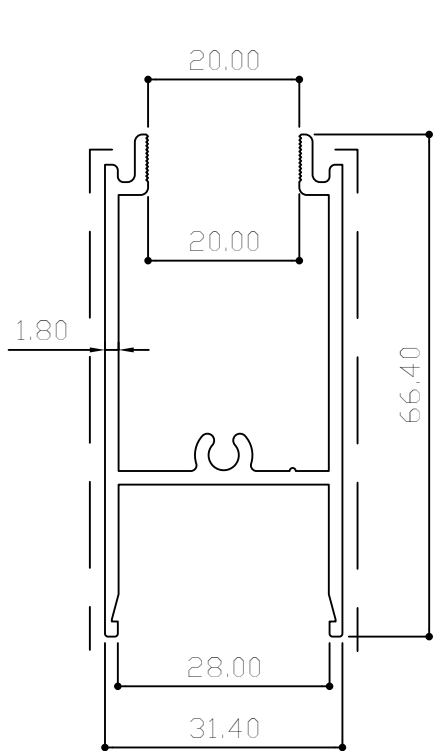
50029
(1.485 Kg/m)



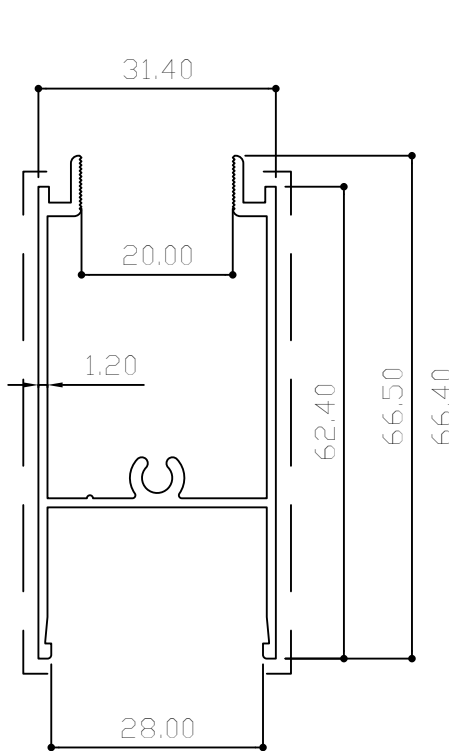
24446
(1.388 Kg/m)



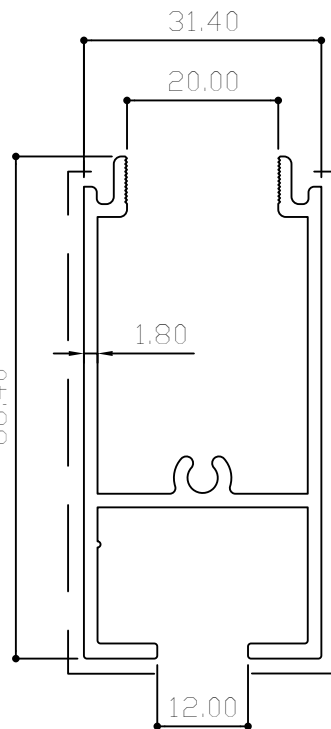
50035
(1.111 Kg/m)



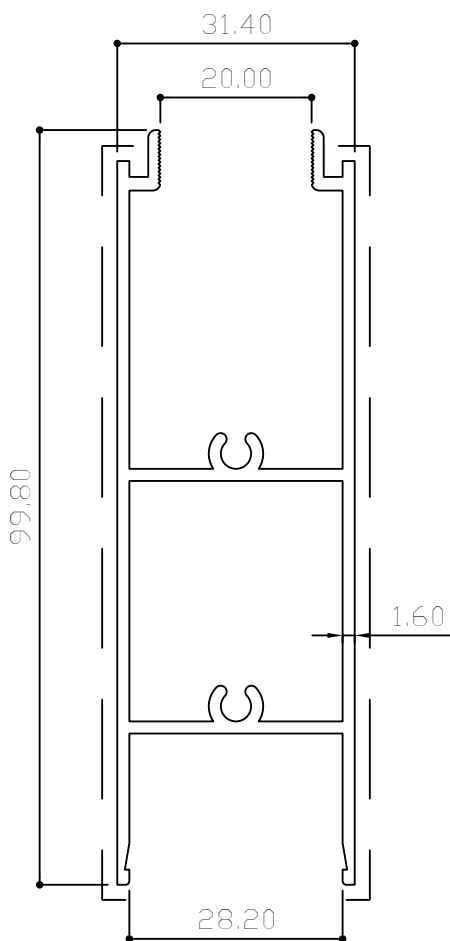
14267
(0.872 Kg/m)



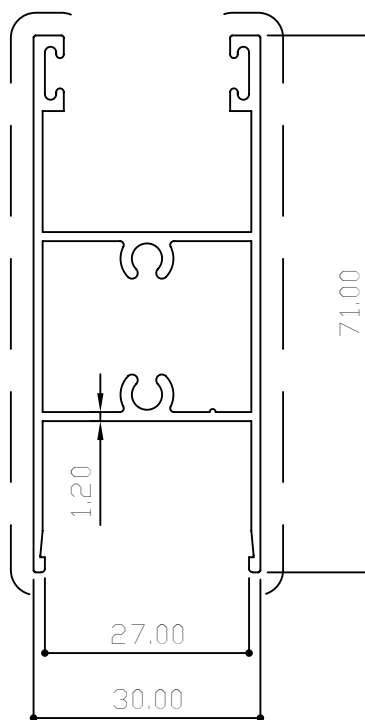
55018
(0.641 Kg/m)



55011
(0.969 Kg/m)

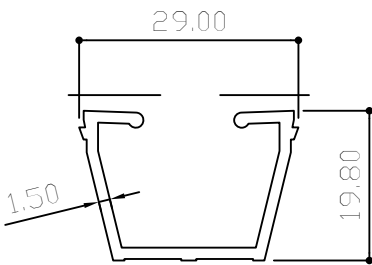


22529
(1.238 Kg/m)

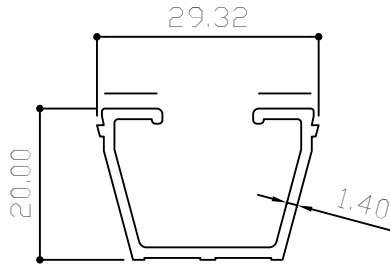


50039
(0.805 Kg/m)

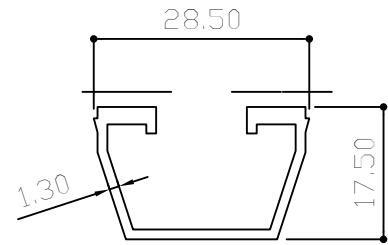
COMPLEMENTARY PROFILES



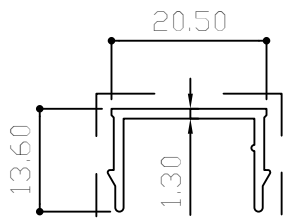
12690
(0.296 Kg/m)



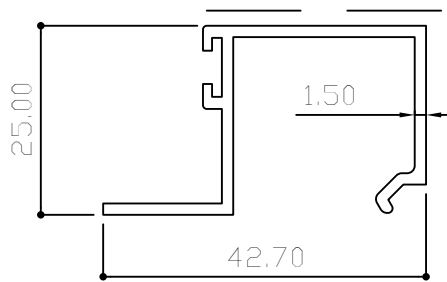
14266
(0.282 Kg/m)



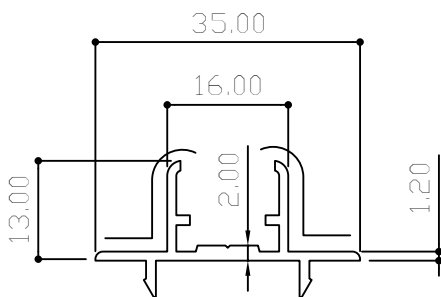
10430
(0.288 Kg/m)



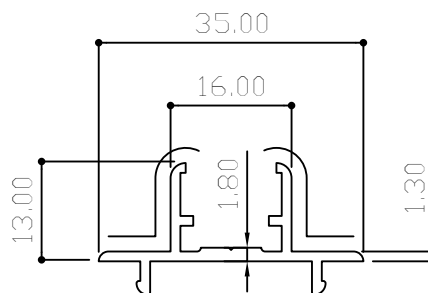
55014
(0.158 Kg/m)



10004
(0.427 Kg/m)

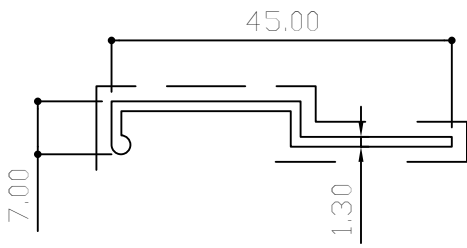


10434
(0.265 Kg/m)

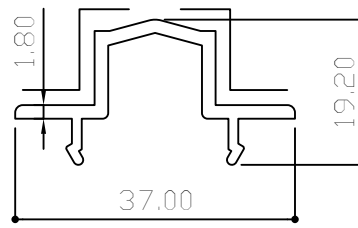


10201
(0.275 Kg/m)

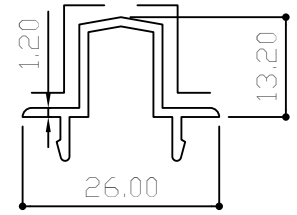
COMPLEMENTARY PROFILES



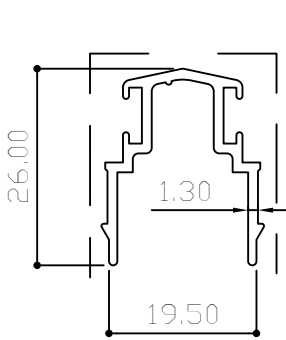
10079
(0.195 Kg/m)



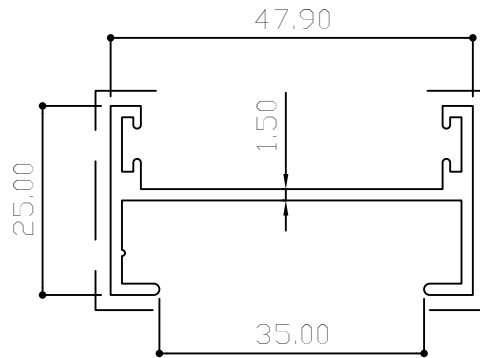
11007
(0.321 Kg/m)



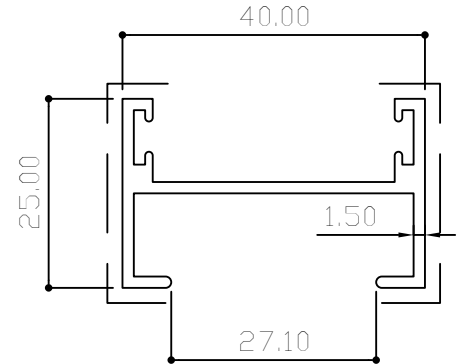
11230
(0.195 Kg/m)



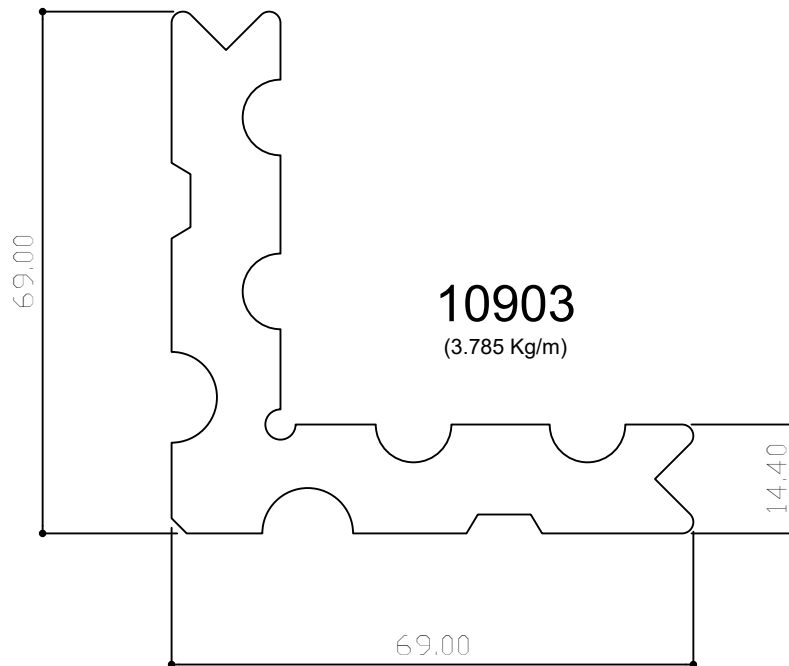
55013
(0.267 Kg/m)



55012
(0.491 Kg/m)

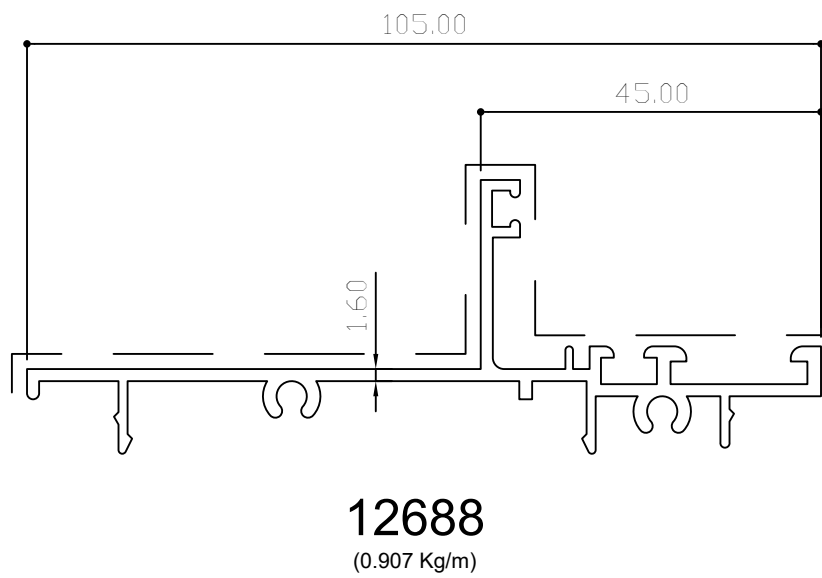
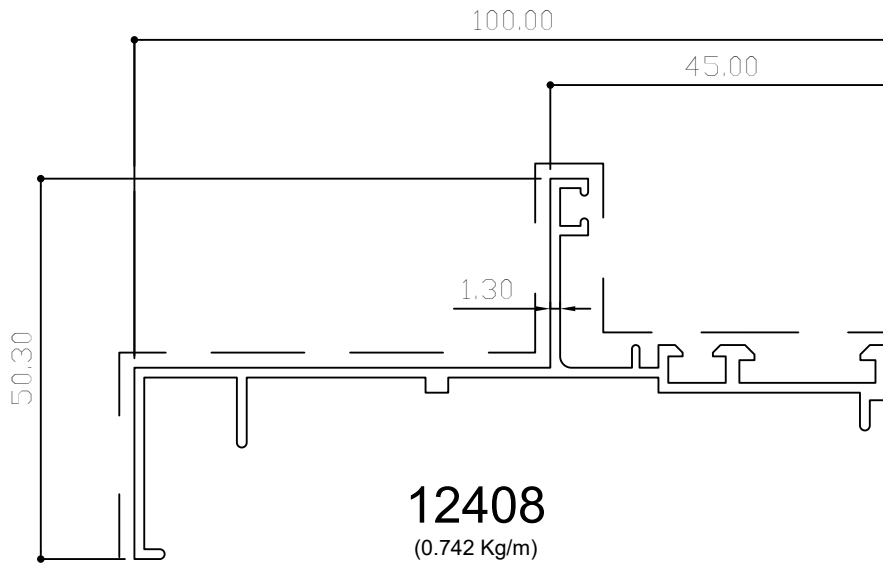


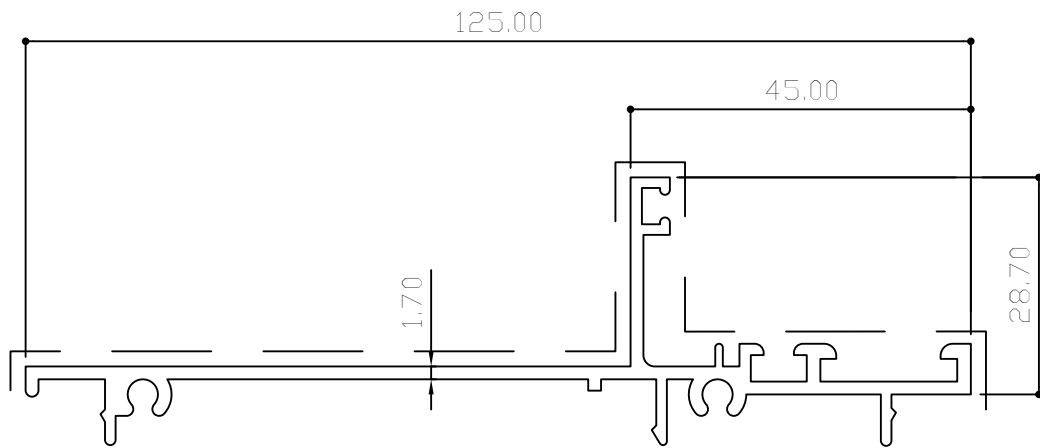
10295
(0.460 Kg/m)



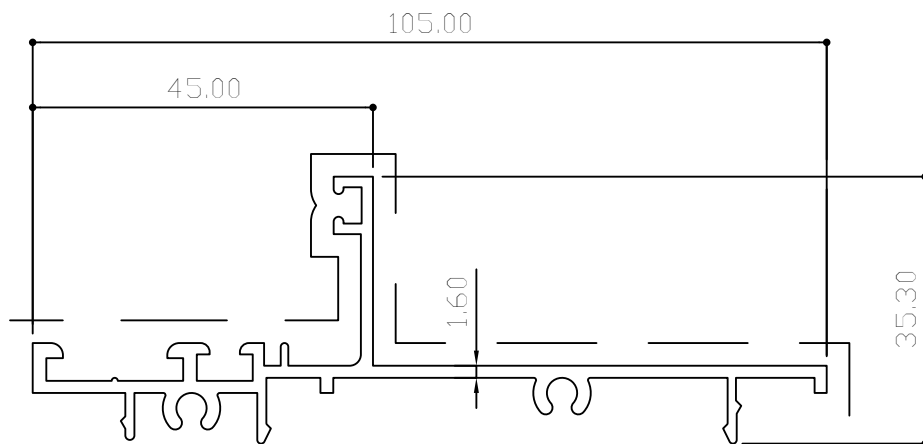
10903
(3.785 Kg/m)

COMPLEMENTARY PROFILES

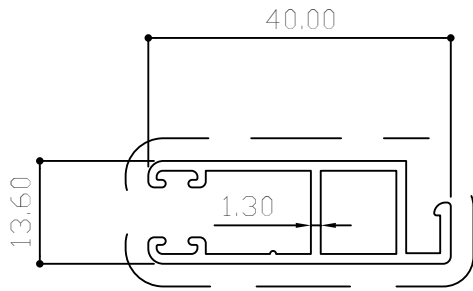




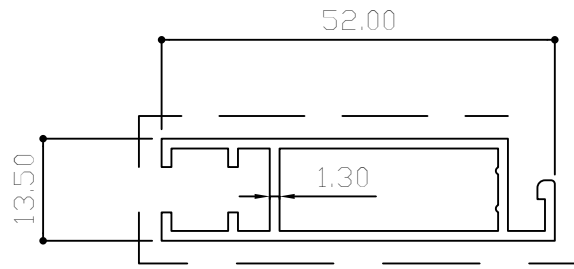
12687
(1.035 Kg/m)



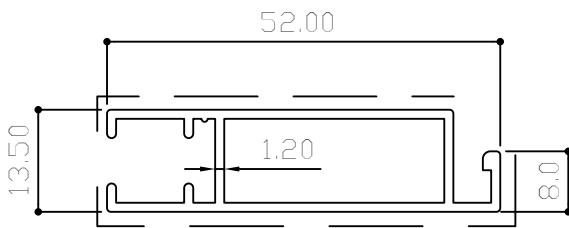
55016
(0.895 Kg/m)



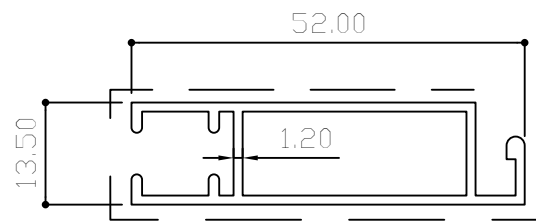
50005
(0.400 Kg/m)



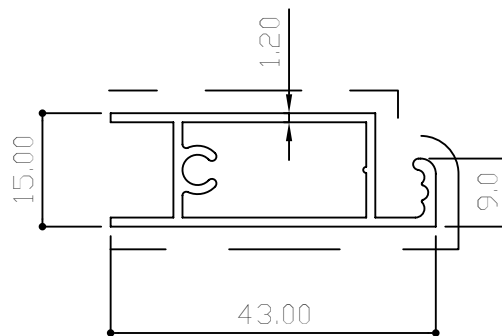
21029
(0.485 Kg/m)



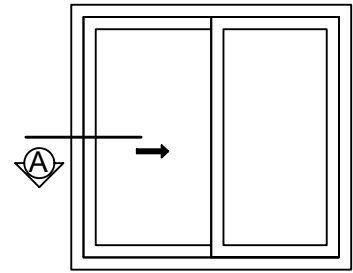
50032
(0.449 Kg/m)



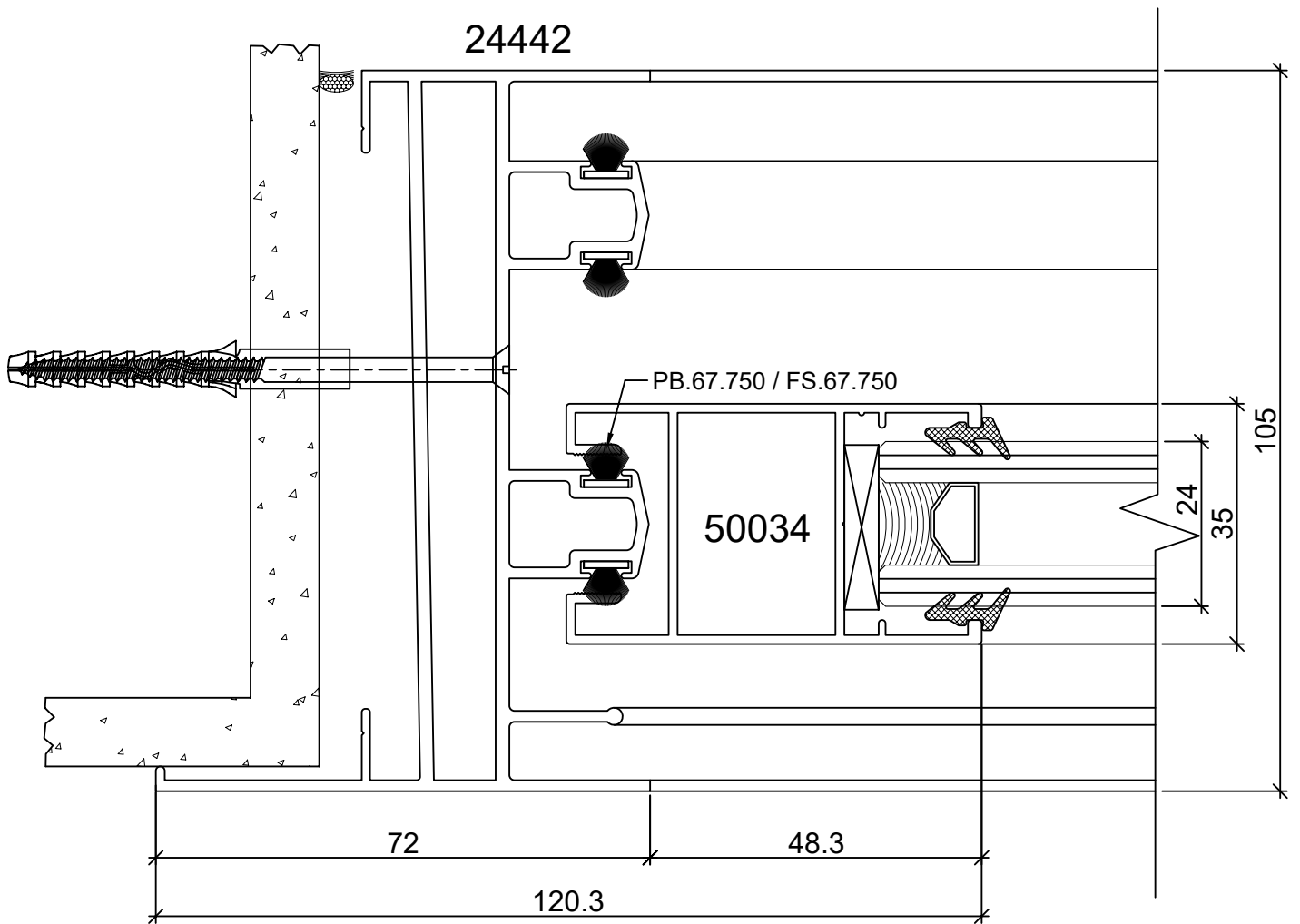
22735
(0.461 Kg/m)



50096
(0.430 Kg/m)

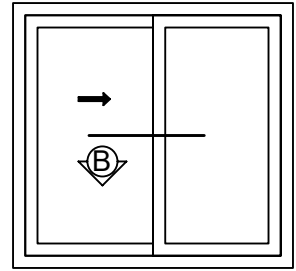


OUTSIDE

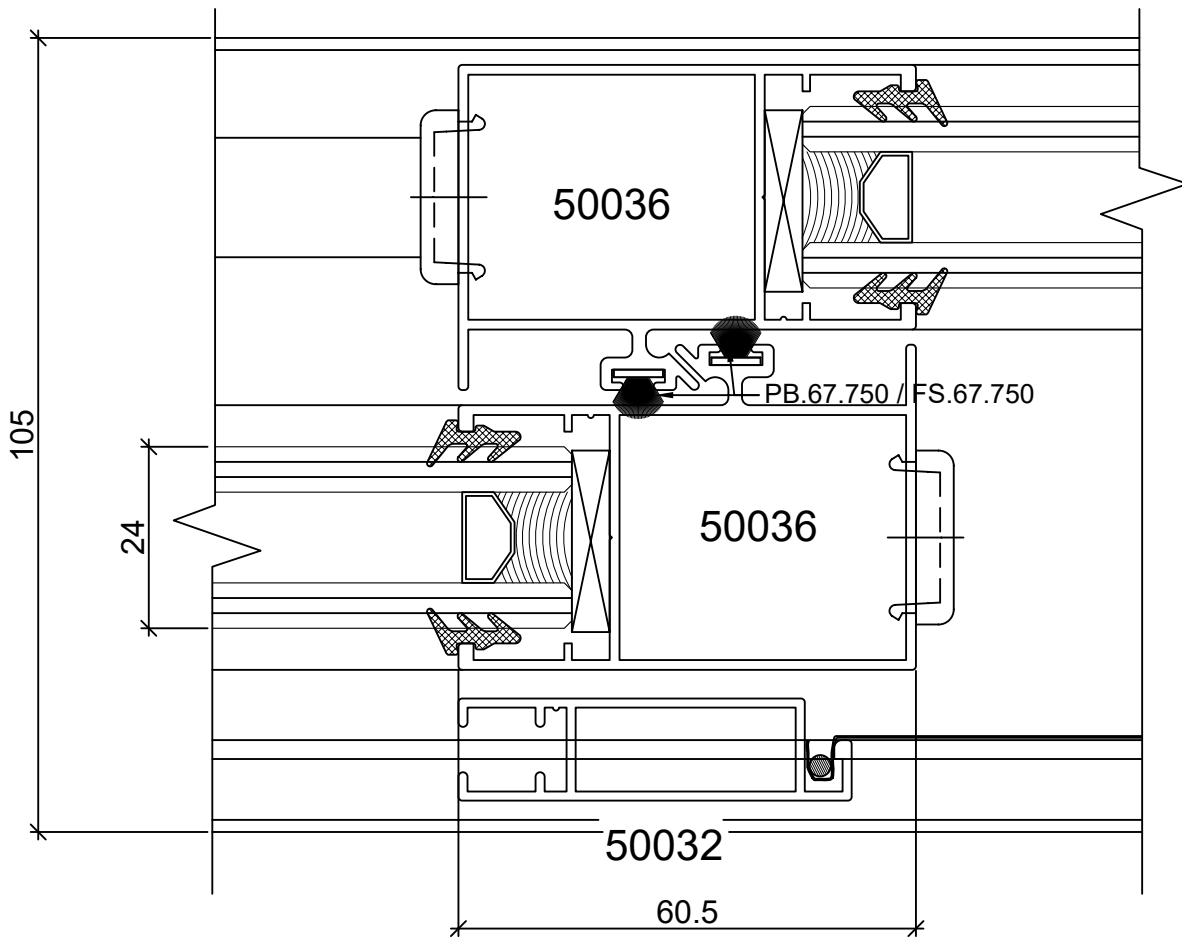


INSIDE

SECTION - A

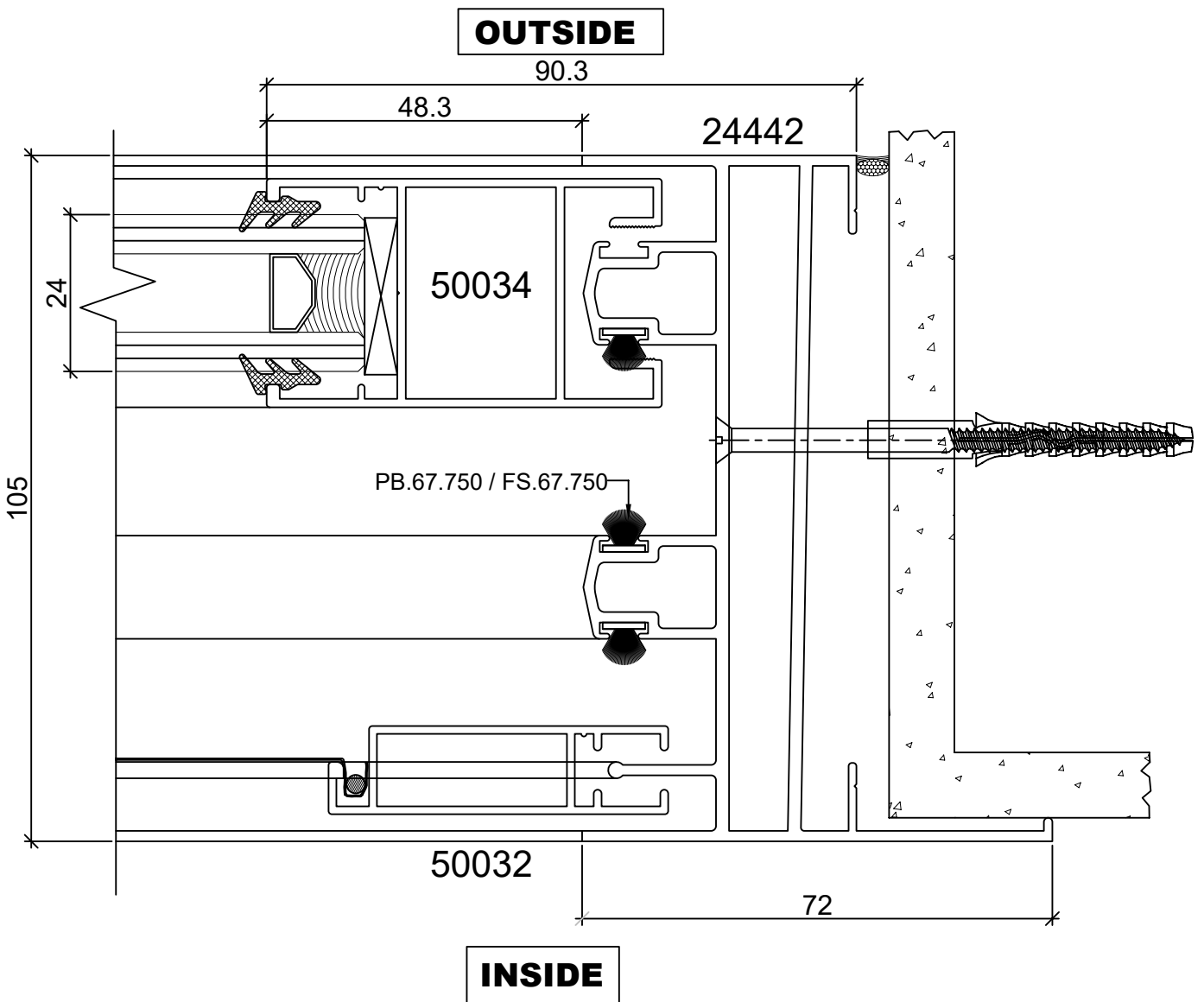
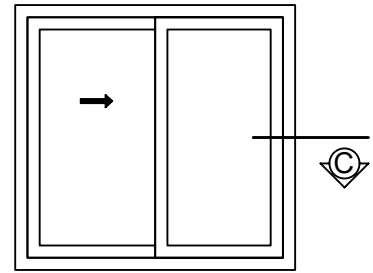


OUTSIDE

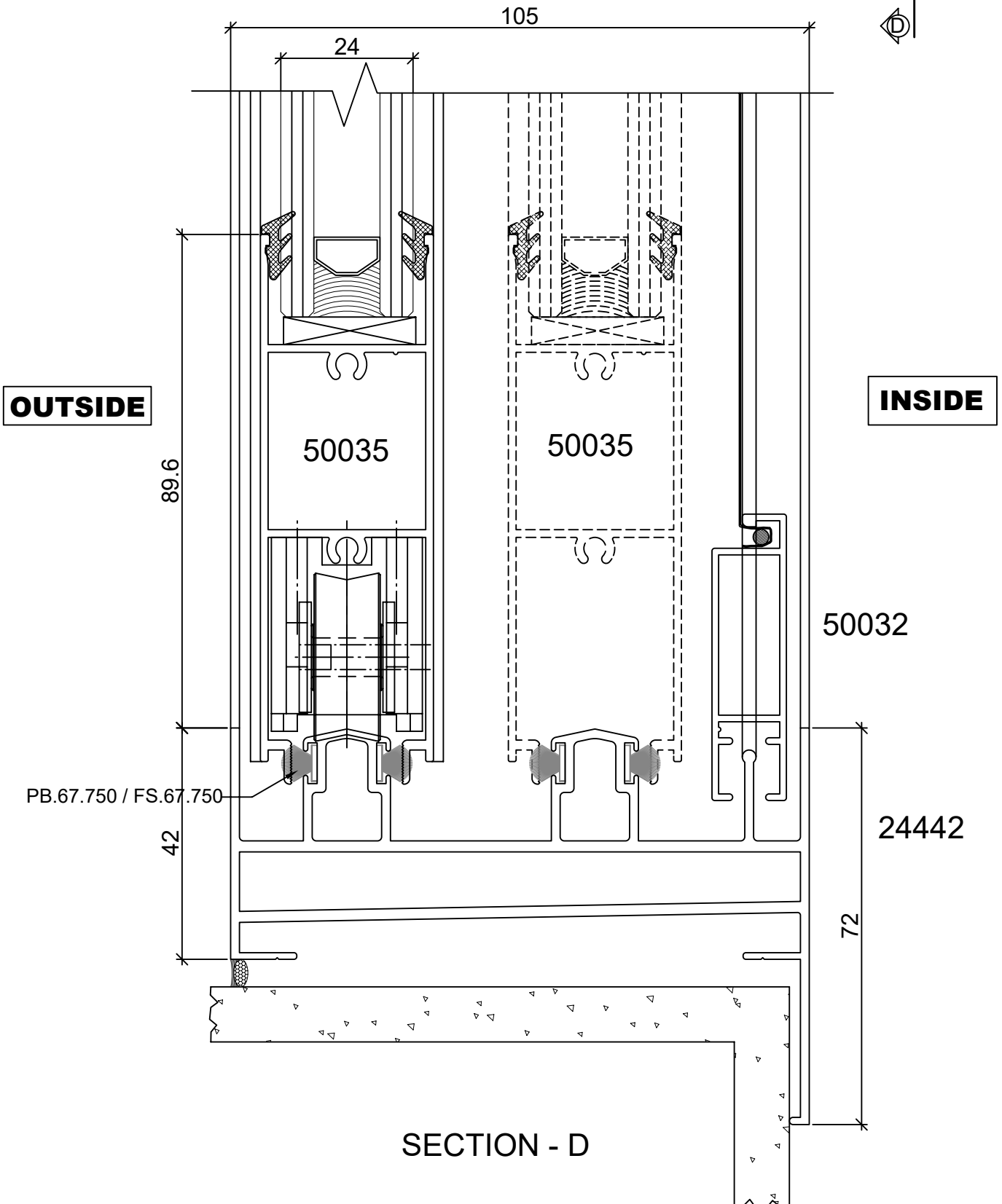


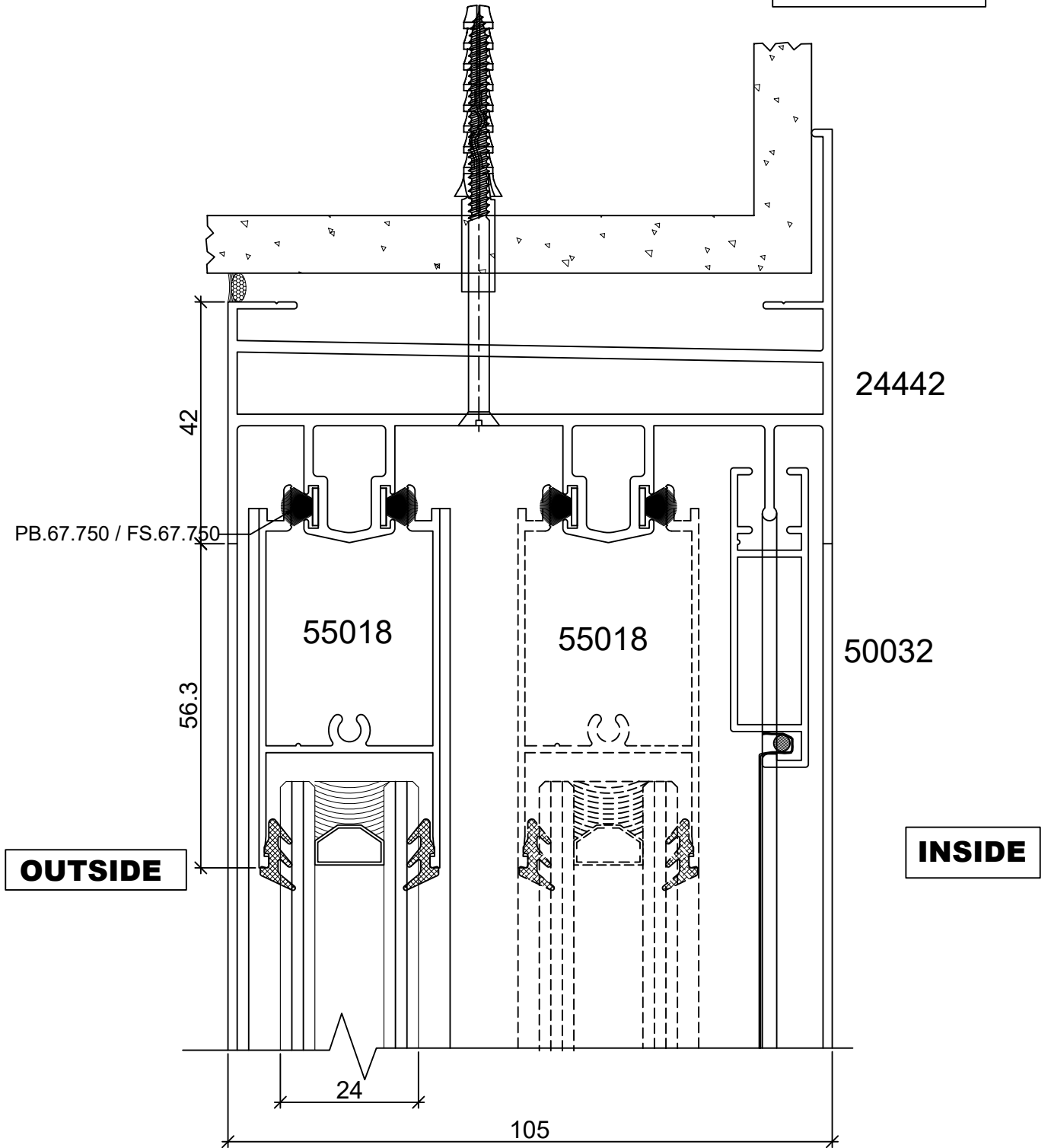
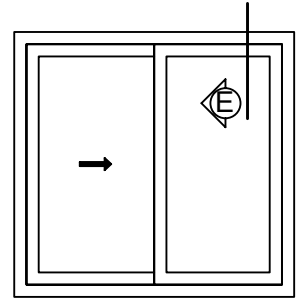
INSIDE

SECTION -B

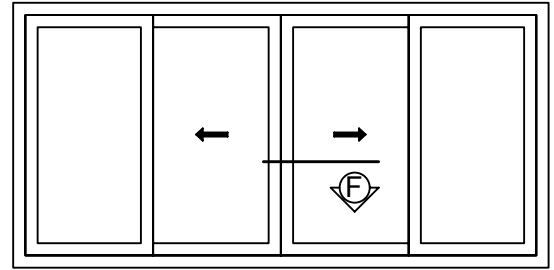


SECTION -C

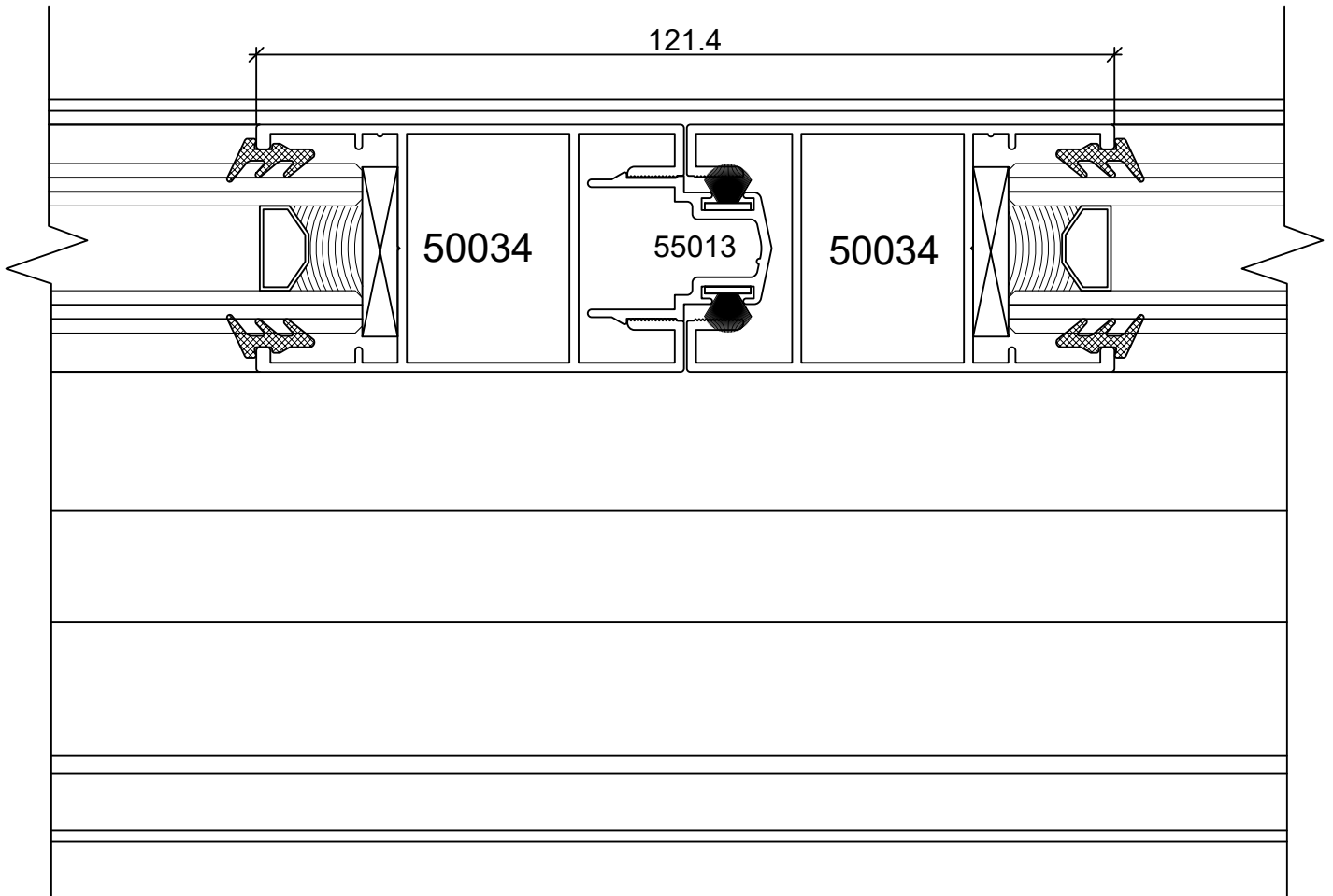




SECTION - F

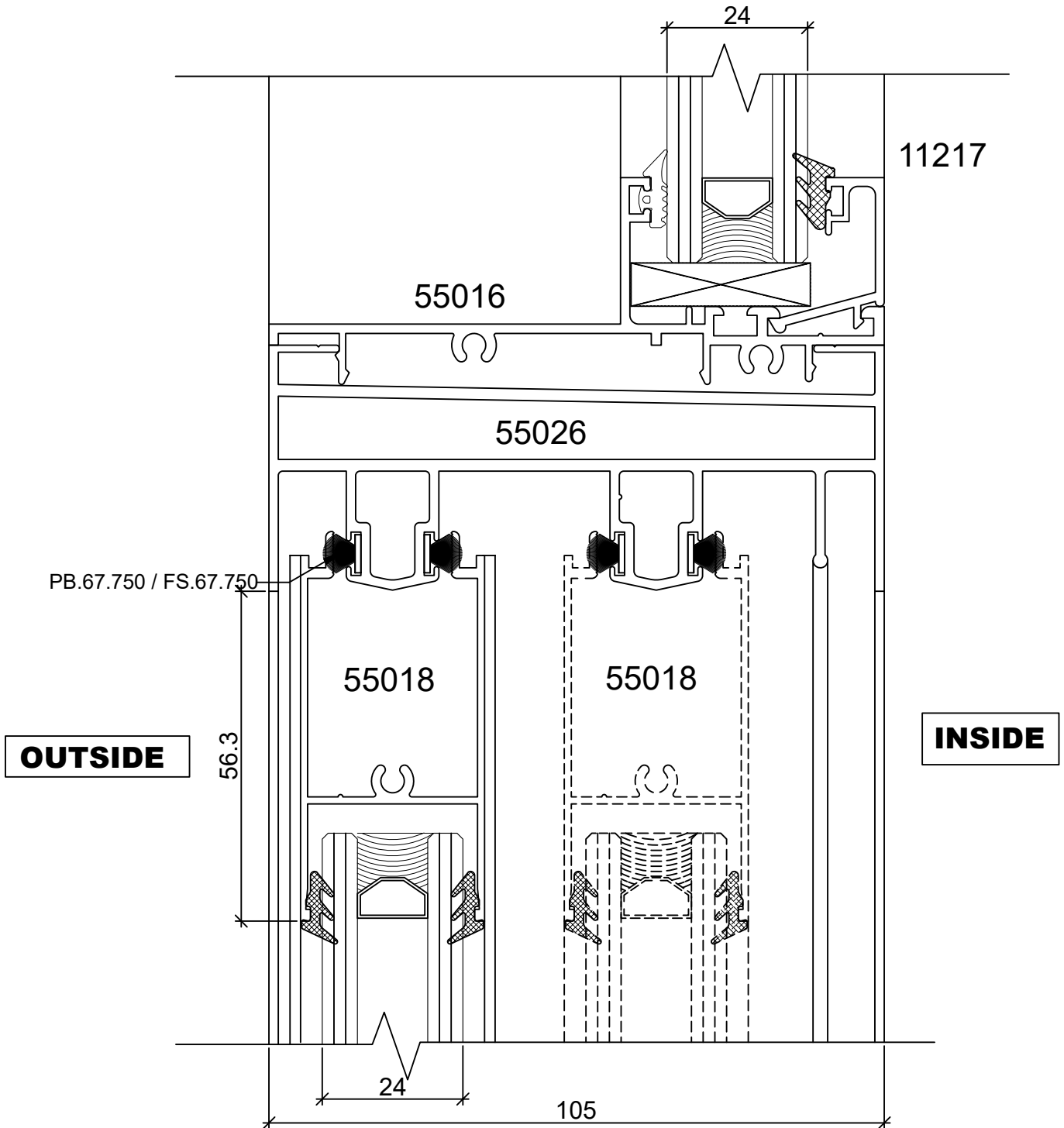
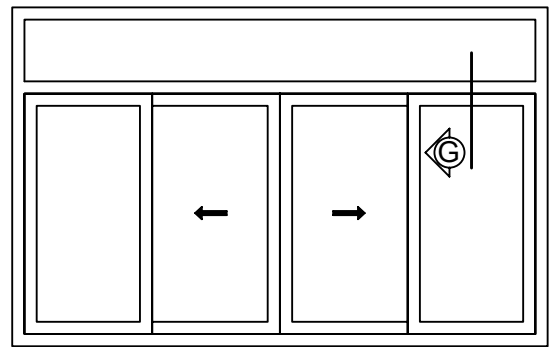


INSIDE

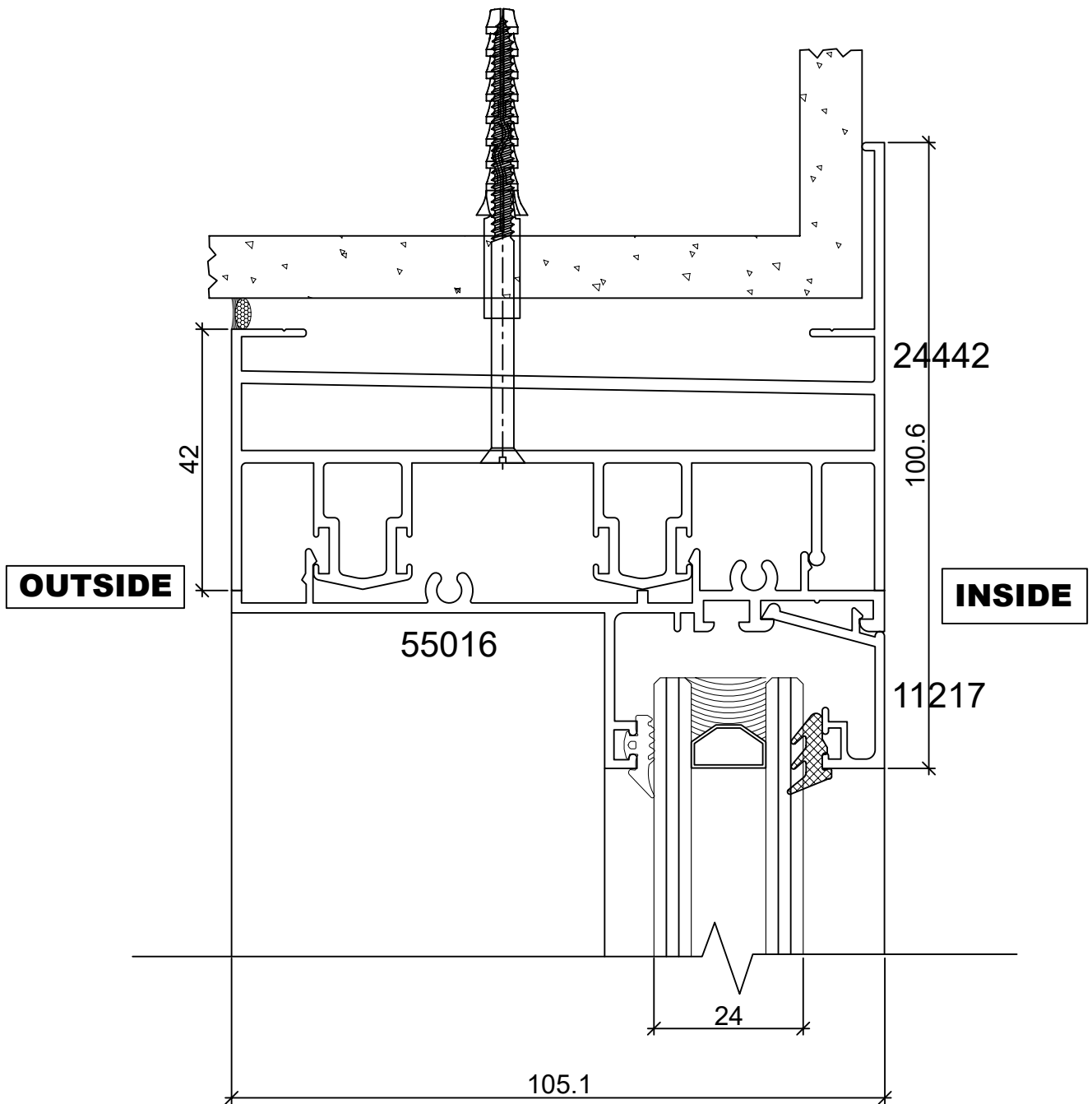
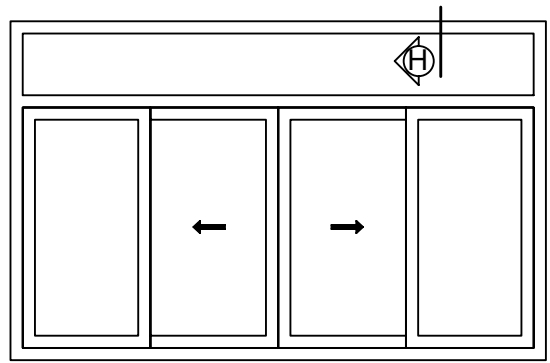


OUTSIDE

SECTION - F

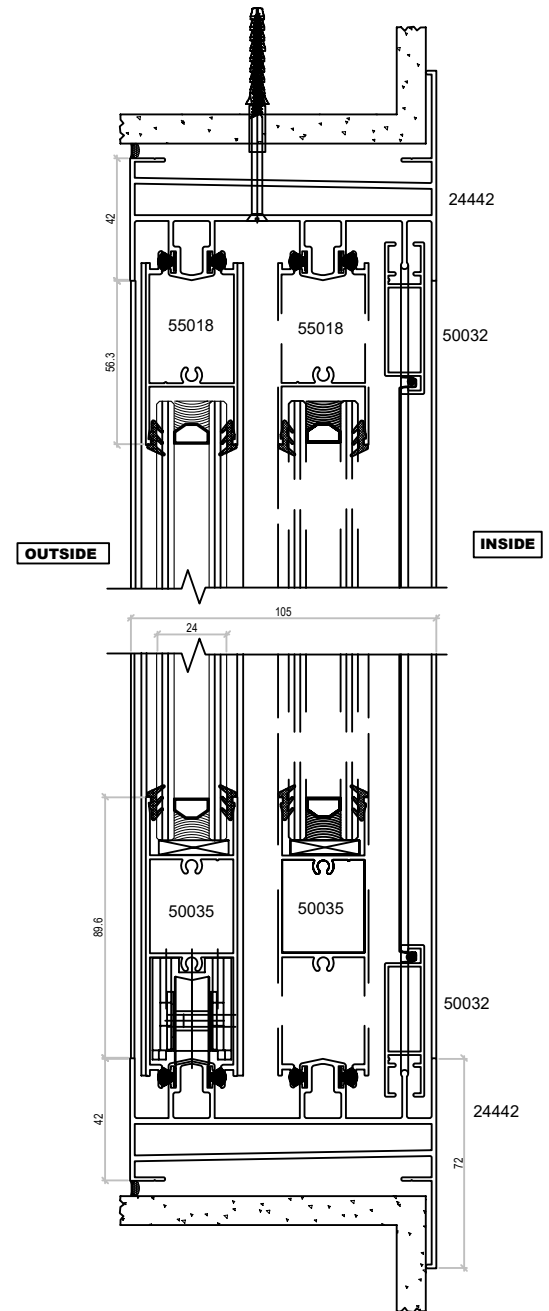
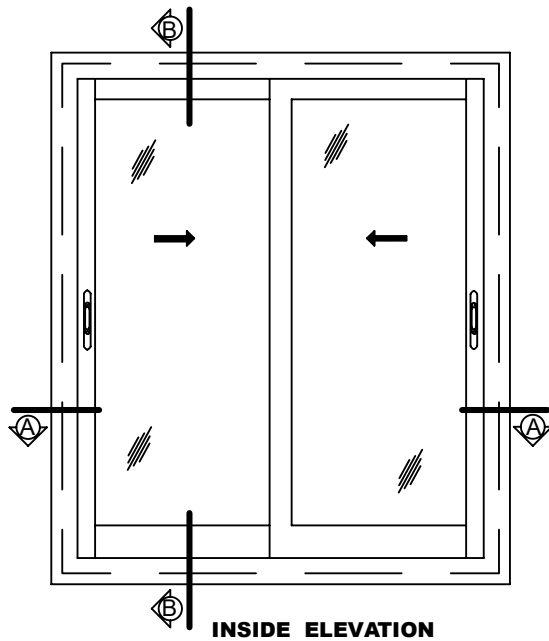


SECTION - G



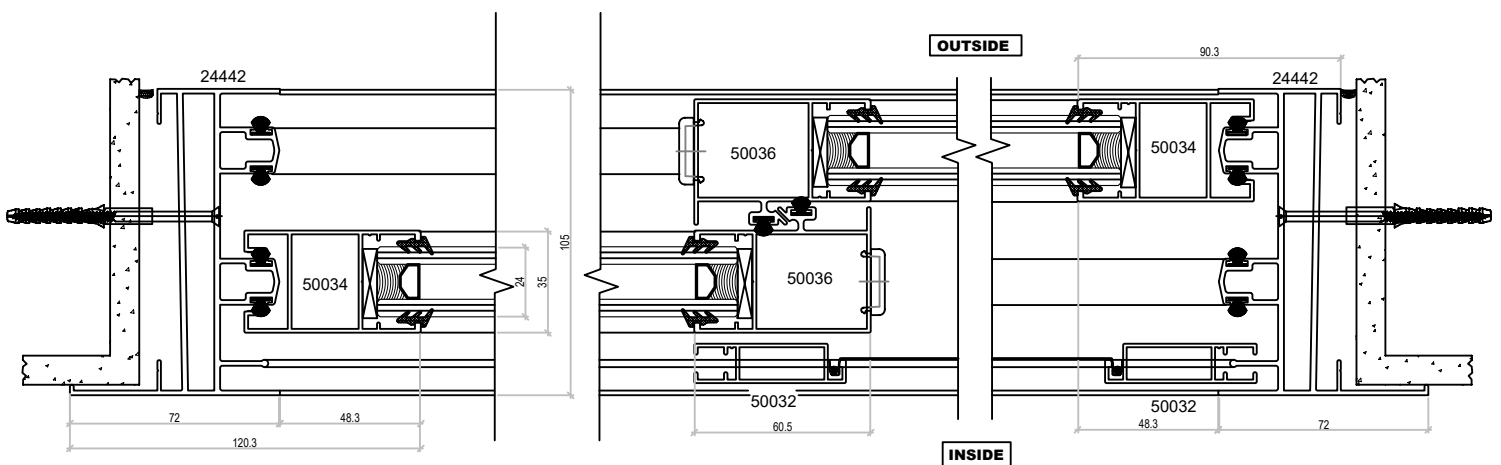
SECTION - H

Two Panelled Sliding Window



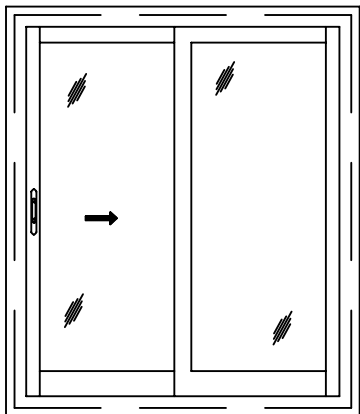
DETAIL SECTION - 'BB'

PROFILES		
Description	Shape	Section No.
Frame		22523
Bottom Sash		50035
Top Sash		55018
Side Sash		50034
Interlock		50036
Fly screen		50032
Corner Cleat1		1523



DETAIL SECTION - 'AA'

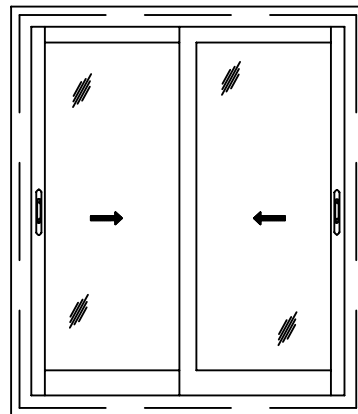
Sliding Window / Door Accessories List Configuration (Giesse)



SINGLE LEAF OPENABLE WINDOW

Mandetroy Accessories

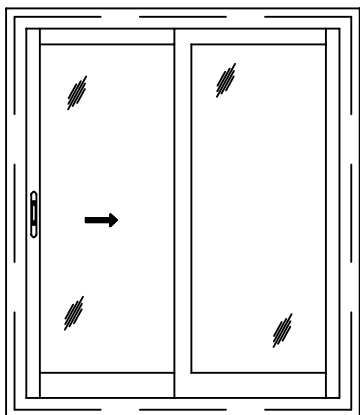
Accessories code	Description	Qty
02988N	Brio Mini Handle	1
04589000	Brio Nib	1
03336000	Counter Plate	1
03151000N	Fixed Pulley	2
03144	Machining Cap	4
02282	Drainage Cap	2
PB.67.750 / FS.67.750	Schlegel Pile (With fin or without fin)	



DOUBLE LEAF OPENABLE WINDOW

Mandetroy Accessories

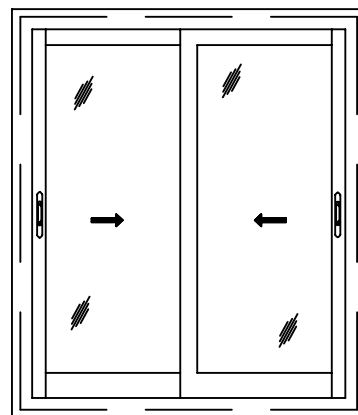
Accessories code	Description	Qty
02988N	Brio Mini Handle	2
04589000	Brio Nib	2
03336000	Counter Plate	2
03151000N	Fixed Pulley	4
03144	Machining Cap	4
02282	Drainage Cap	2
PB.67.750 / FS.67.750	Schlegel Pile (With fin or without fin)	



SINGLE LEAF OPENABLE DOOR

Mandetroy Accessories

Accessories code	Description	Qty
02992N	Brio Handle	1
04589000	Brio Nib	1
03336000	Counter Plate	1
03151000N	Fixed Pulley	2
03144	Machining Cap	4
02282	Drainage Cap	2
02980	Brio Outside Embedded handle	1
PB.67.750 / FS.67.750	Schlegel Pile (With fin or without fin)	



DOUBLE LEAF OPENABLE DOOR

Mandetroy Accessories

Accessories code	Description	Qty
02992N	Brio Handle	2
04589000	Brio Nib	2
03336000	Counter Plate	2
03151000N	Fixed Pulley	4
03144	Machining Cap	4
02282	Drainage Cap	2
02980	Brio Outside Embedded handle	1
PB.67.750 / FS.67.750	Schlegel Pile (With fin or without fin)	

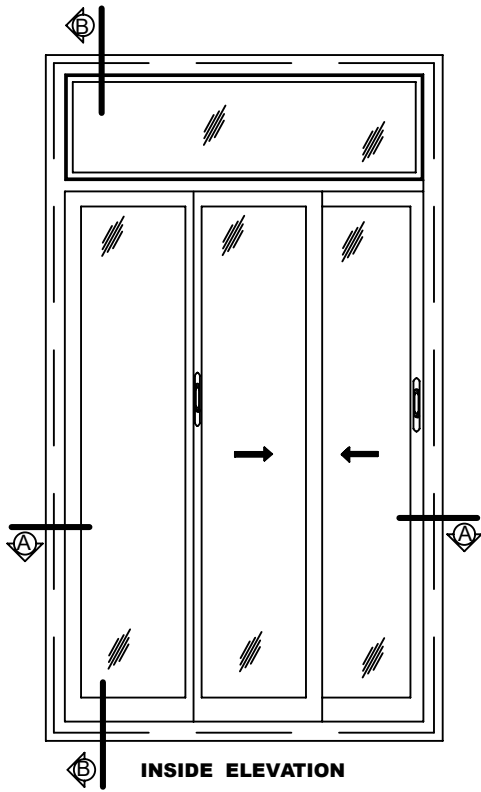
Optional Accessories

02892N	Brio Key Handle	1
02966N	Brio Outside Pull Handle	1
02967V	Brio Key Outside Pull Handle	1
03016	Brio Internal Pull Handle (Centered)	1
02614	Brio Internal Pull Handle (Offset)	1

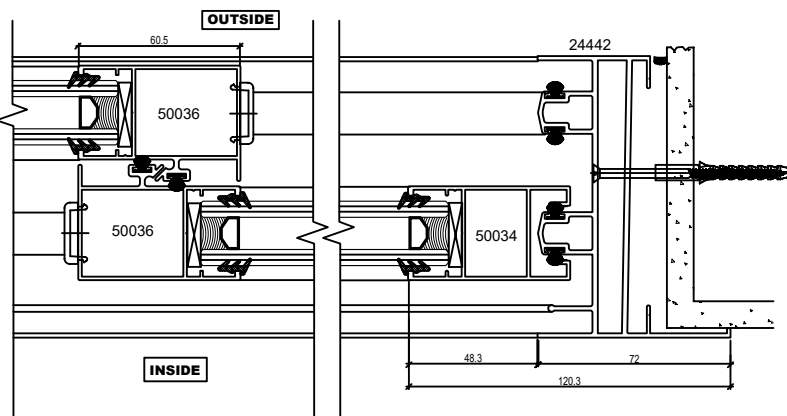
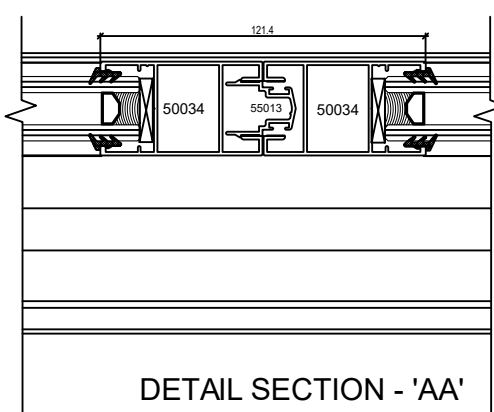
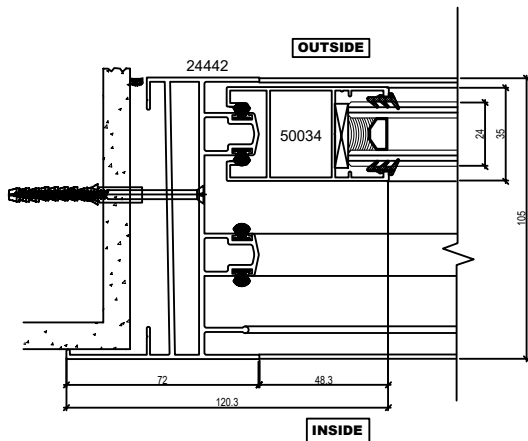
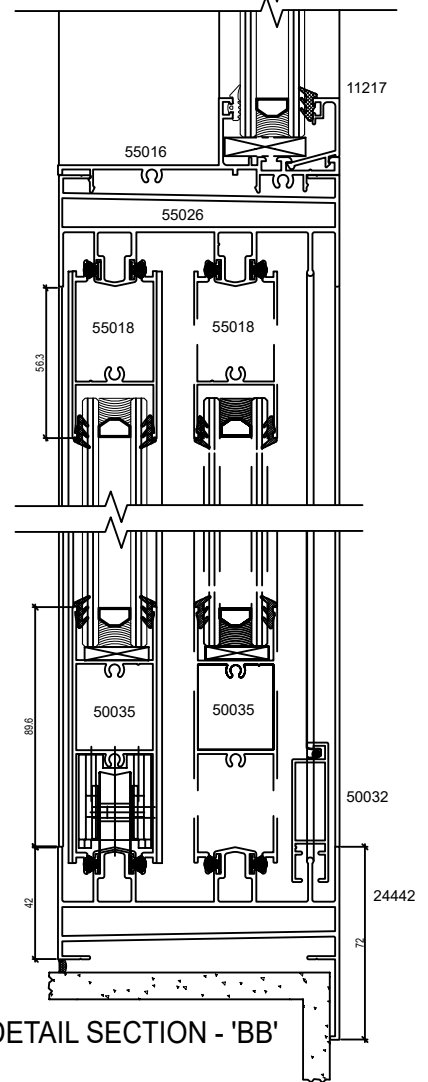
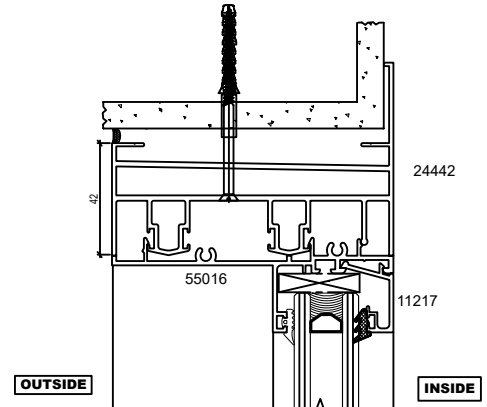
Optional Accessories

02892N	Brio Key Handle	2
02966N	Brio Outside Pull Handle	2
02967V	Brio Key Outside Pull Handle	2
03016	Brio Internal Pull Handle (Centered)	2
02614	Brio Internal Pull Handle (Offset)	2

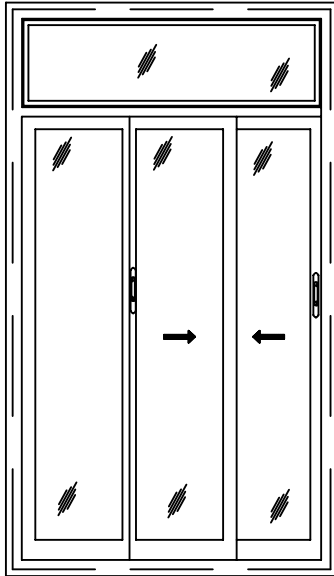
Three Panelled Sliding Window With Top Fix



PROFILES		
Description	Shape	Section No.
Frame		24442
Frame without Architrave		55026
Bottom Sash		50035
Top Sash		55018
Side Sash		50034
Interlock		50036
Adaptor		55016
Adaptor		55013
Glass Bead		11217
Fly screen		50032
Corner Cleat		11523



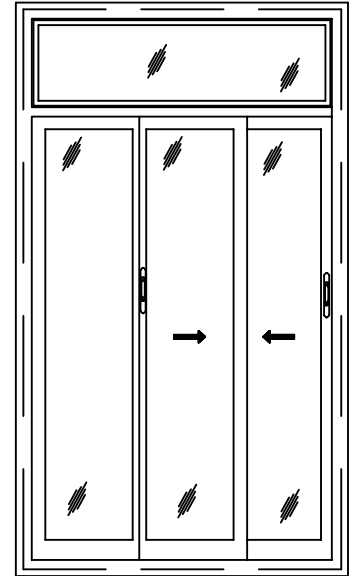
Sliding Window / Door (Three Shutter) Accessories List Configuration (Giesse)



THREE SHUTTER DOUBLE LEAF OPENABLE WINDOW

Mandetrov Accessories

Accessories code	Description	Qty
02988N	Brio Mini Handle	2
04589000	Brio Nib	2
03336000	Counter Plate	2
03151000N	Fixed Pulley	4
03144	Machining Cap	4
02282	Drainage Cap	2
PB.67.750 / FS.67.750	Schlegel Pile (With fin or without fin)	



THREE SHUTTER DOUBLE LEAF OPENABLE DOOR

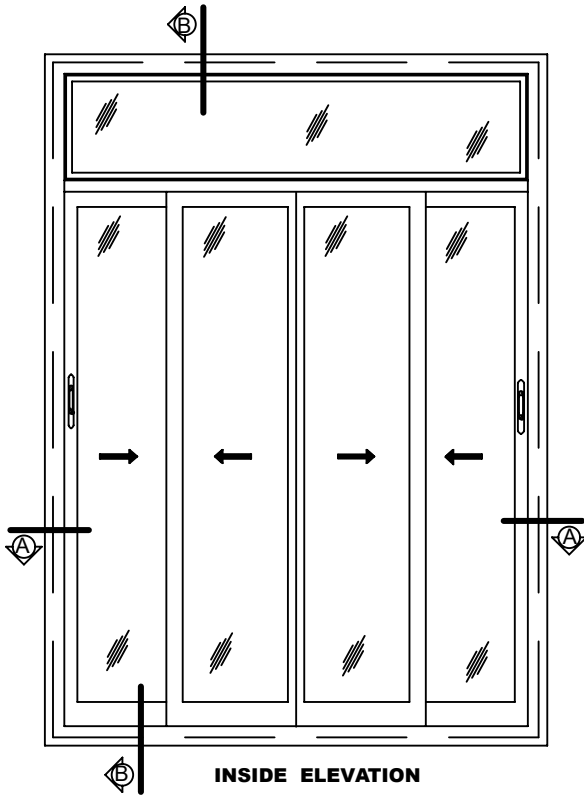
Mandetrov Accessories

Accessories code	Description	Qty
02992N	Brio Handle	2
04589000	Brio Nib	2
03336000	Counter Plate	2
03151000N	Fixed Pulley	4
03144	Machining Cap	4
02282	Drainage Cap	2
02980	Brio Outside Embedded Handle	2
PB.67.750 / FS.67.750	Schlegel Pile (With fin or without fin)	

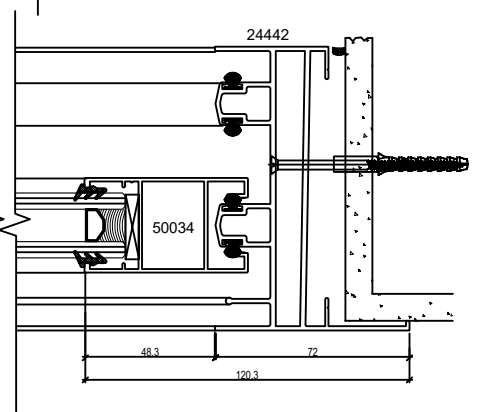
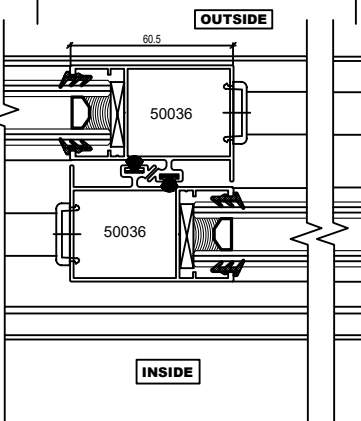
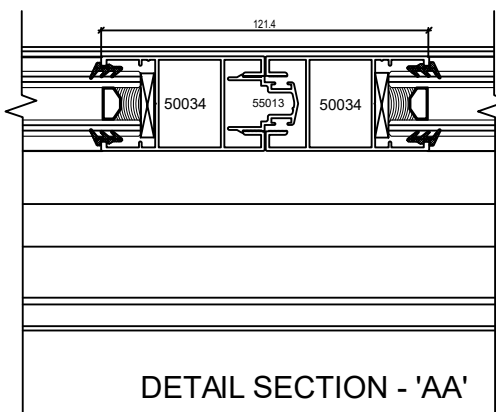
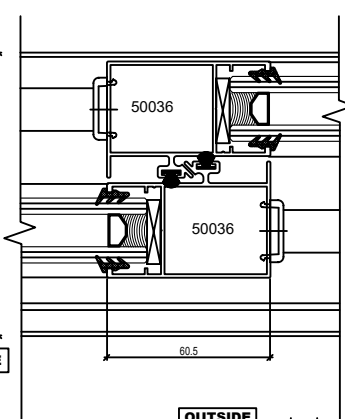
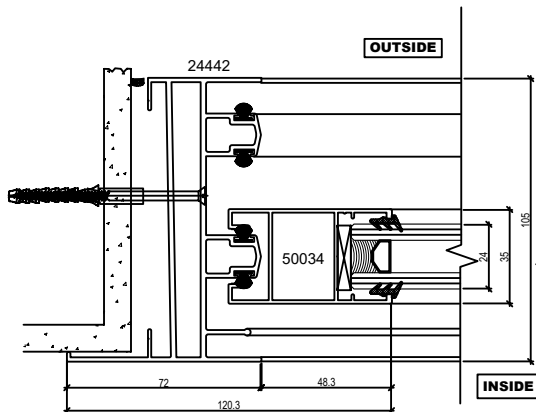
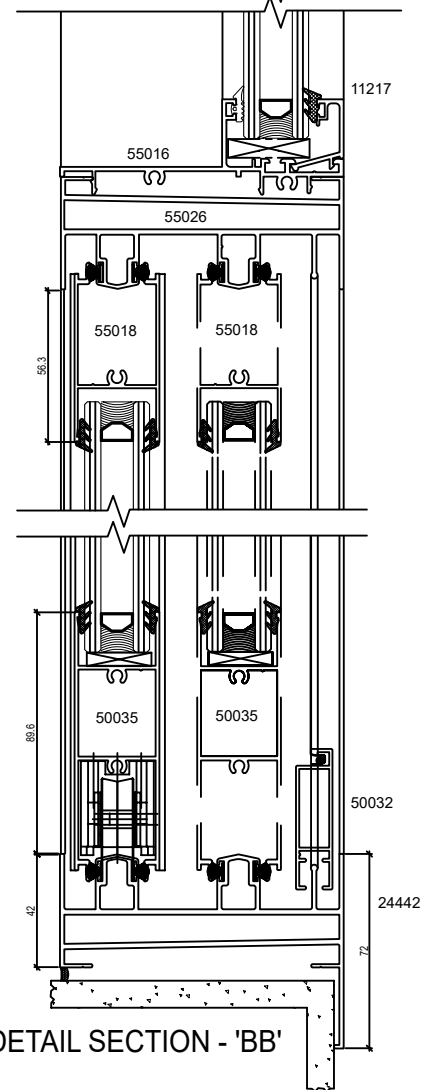
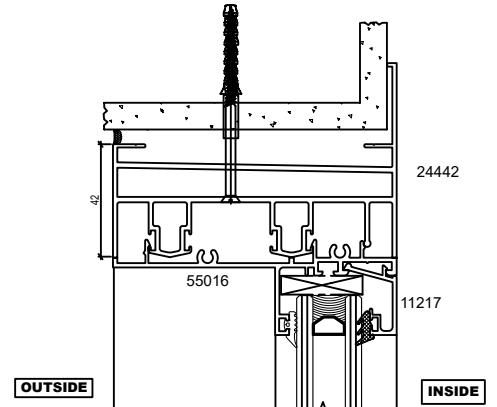
Optional Accessories

02892N	Brio Key Handle	2
02966N	Brio Outside Pull Handle	1
02967V	Brio Key Outside Pull Handle	1
03016	Brio Internal Pull Handle (Centered)	1
02614	Brio Internal Pull Handle (Offset)	1

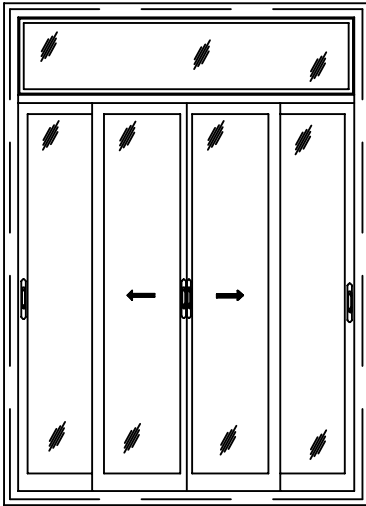
Four Panelled Sliding Window With Top Fix



PROFILES		
Description	Shape	Section No.
Frame		24442
Frame without Architrave		55026
Bottom Sash		50035
Top Sash		55018
Side Sash		50034
Interlock		50036
Adaptor		55016
Adaptor		55013
Glass Bead		11217
Fly screen		50032
Corner Cleat		11523



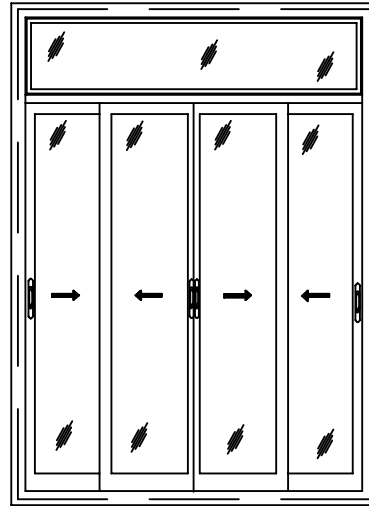
Sliding Window / Door (Four Shutter) Accessories List Configuration (Giesse)



FOUR SHUTTER DOUBLE LEAF OPENABLE WINDOW

Mandetrov Accessories

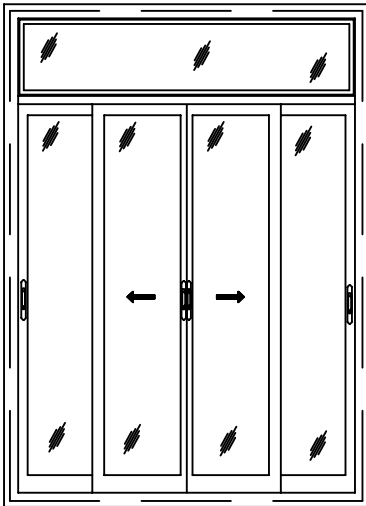
Accessories code	Description	Qty
02988N	Brio Mini Handle	1
04589000	Brio Nib	1
03336000	Counter Plate	1
03151000N	Fixed Pulley	4
03144	Machining Cap	8
02282	Drainage Cap	3
02566	Brio Mini Blind handle (Cieca)	1
PB.67.750 / FS.67.750	Schlegel Pile (With fin or without fin)	



FOUR SHUTTER FOUR LEAF OPENABLE WINDOW

Mandetrov Accessories

Accessories code	Description	Qty
02988N	Brio Mini Handle	3
04589000	Brio Nib	3
03336000	Counter Plate	3
03151000N	Fixed Pulley	8
03144	Machining Cap	8
02282	Drainage Cap	3
02566	Brio Mini Blind handle (Cieca)	1
PB.67.750 / FS.67.750	Schlegel Pile (With fin or without fin)	



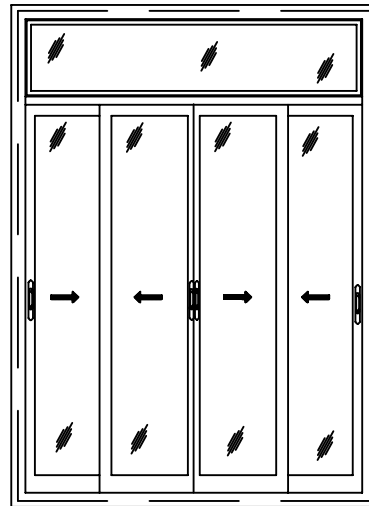
FOUR SHUTTER DOUBLE LEAF OPENABLE DOOR

Mandetrov Accessories

Accessories code	Description	Qty
02992N	Brio Handle	1
04589000	Brio Nib	1
03336000	Counter Plate	1
03151000N	Fixed Pulley	4
03144	Machining Cap	8
02282	Drainage Cap	3
02895	Brio Blind handle (Cieca)	1
02980	Brio Outside Embedded handle	1

Optional Accessories

02892N	Brio Key Handle	1
02966N	Brio Outside Pull Handle	1
02967V	Brio Key Outside Pull Handle	1
03016	Brio Internal Pull Handle (Centered)	1
02614	Brio Internal Pull Handle (Offset)	1
PB.67.750 / FS.67.750	Schlegel Pile (With fin or without fin)	



FOUR SHUTTER FOUR LEAF OPENABLE DOOR

Mandetrov Accessories

Accessories code	Description	Qty
02992N	Brio Mini Handle	3
04589000	Brio Nib	3
03336000	Counter Plate	3
03151000N	Fixed Pulley	8
03144	Machining Cap	8
02282	Drainage Cap	3
02895	Brio Blind handle (Cieca)	1
02980	Brio Outside Embedded handle	1

Optional Accessories

02892N	Brio Key Handle	1
02966N	Brio Outside Pull Handle	1
02967V	Brio Key Outside Pull Handle	1
03016	Brio Internal Pull Handle (Centered)	1
02614	Brio Internal Pull Handle (Offset)	1
PB.67.750 / FS.67.750	Schlegel Pile (With fin or without fin)	



BRIO PLUS SINGLE

02973N

Functions

Reversible recessed handle, with the possibility of manual mode operation (for doors) or automatic operation (for windows), to enable side locking of sliding sashes. The Brio Plus MD Handle allows crossing and overlapping of the two sashes



BRIO MINI 165 - SINGLE TOOTH HANDLE

02978N

Functions

Reversible recessed handle with automatic coupling for side locking and simultaneous overlap of the sashes of an aluminum sliding window



BRIO PLUS MD HANDLE INTERNAL KEY

02873N

Functions

Reversible recessed handle, with manual operation (for doors) enabling side locking of sliding sashes

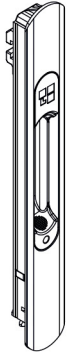


BRIO HANDLE INTERNAL KEY

02882N

Functions

Reversible recessed handle, with manual operation (for doors) enabling side locking of sliding sashes.
The Product allows crossing and overlapping of the two sashes during opening.



BRIO - SINGLE TOOTH

02982N

Functions

Reversible recessed handle, with possibility of manual operation (for doors) or automatic operation (for windows), to enable side locking of sliding sashes. The product allows crossing and overlapping of the two sashes during opening.

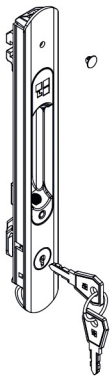


BRIO PLUS HANDLE

02983N

Functions

Reversible recessed handle, with the possibility of manual mode operation (for doors) or automatic operation (for windows), to enable side locking of sliding sashes. The Brio Plus handle allows crossing and overlapping of the two sashes.



BRIO PLUS HANDLE WITH INTERNAL KEY

02883N

Functions

Reversible recessed handle, with manual operation (for doors) enabling side locking of sliding sashes. The product allows crossing and overlapping of the two sashes during opening.



BRIO HANDLE

02992N

Functions

Reversible recessed handle, with possibility of manual operation (for doors) or automatic operation (for windows), to enable side locking of sliding sashes.



BRIO HANDLE INTERNAL KEY

02892N

Functions

Reversible recessed handle, with manual operation (for doors) enabling side locking of sliding sashes.

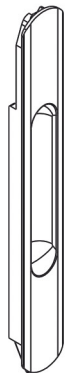


BRIO MINI 165 HANDLE

02988N

Functions

Reversible recessed handle with automatic coupling for side locking and simultaneous overlap of the sashes of an aluminum sliding window.



BRIO EXTERNAL RECESS PULL HANDLE

02980

Functions

The external Brio pull handle, combined with a Brio recessed handle, enables the end user to move the sash of a sliding door easily and effortlessly.



BRIO EXTERNAL PULL HANDLE

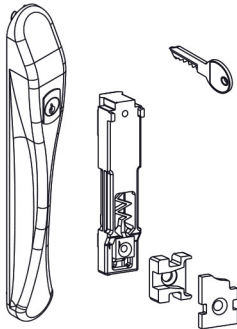
02966N

Functions

The external Brio pull handle, combined with a Brio or Brio MD recessed handle, enables the end user to move the wing of a sliding door with ease.

BRIO KEY EXTERNAL PULL HANDLE

02967V

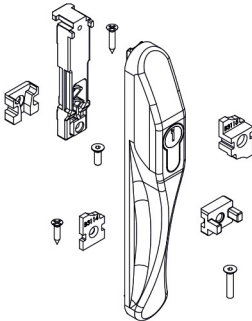


Functions

The external Brio Key drive handle, combined with a Brio Plus or Brio Plus MD recessed handle, enables the end user to open and close a sliding door easily and safely.

EXTERNAL HANDLE WITH BRIO EUROPEAN KEY

02996



Functions

The external Brio Key pull handle, combined with a Brio Plus or Brio Plus MD recessed handle, enables the end user to open and close a sliding door safely and easily.

BLIND BRIO HANDLE

02895

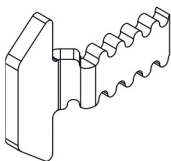


Functions

The Brio Cieca handle performs the simple function of driving a sliding rod in the case of 4-sash fixtures with opposing sashes.

BRIO BIG NIB

04589

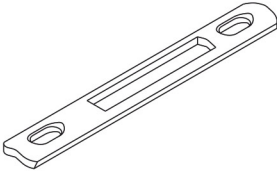


Functions

Brio Big nibs, combined with counterplate, enable making the fastening mechanism of sliding casements. Brio Big nibs can be used in combination with the full Brio range (Plus, Rapid, Mini, City including the Key versions).

FRONT-MOUNTED COUNTERPLATE

03336

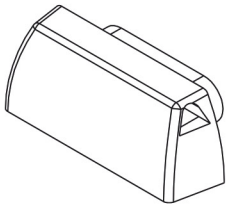


Functions

The front-mounted counterplate combined with a nib for recessed sliding handle creates the fastening mechanism of a sliding sash.

DRAINAGE HOLE CAP

02282

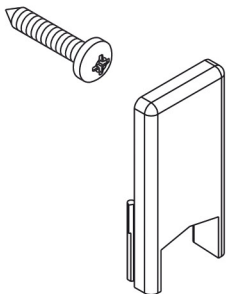


Functions

Cap complete with valve obtained without pre-assembly, which allows draining the water from inside the tubular profile and prevents air flowing from outside.

MACHINING COVERS

03144

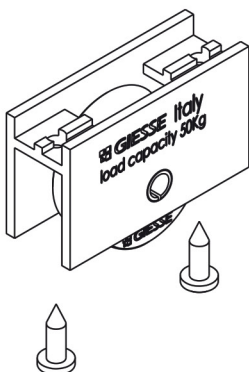


Functions

Cap covering the machining on the central upright of sliding sashes. Fixing is by means of a self-tapping screw.

FIXED 1 WHEEL PULLEY

03151N



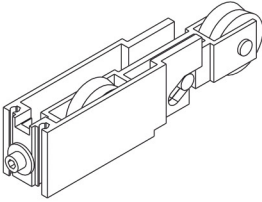
Functions

Extruded aluminum carriage with single wheel for aluminum sliding windows or doors.

Capacities
100 KG with two pulleys

ADJUSTABLE PULLEY

0315201



Functions

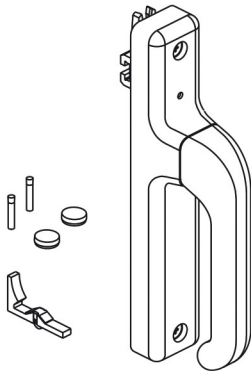
Pulley in extruded aluminum, adjustable, with two wheels, for windows and sliding doors in aluminum.

Capacities

240 KG with 2 pulleys

CITY CREMONE

03360V

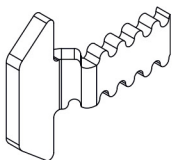


Functions

Reversible cremone handle, for pulling the internal sash of an aluminum sliding door or window

BRIO BIG NIB

04530

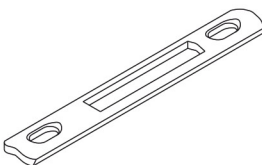


Functions

Brio Big nibs, combined with a counterplate, enable making the fastening mechanism of sliding casements. Brio Big nibs can be used in combination with the full Brio range (Plus, Rapid, Mini, City including the Key versions).

FRONT-Mounted COUNTERPLATE

03336



Functions

The Front-mounted counterplate combined with a nib from a recessed sliding handle creates the fastening mechanism of a sliding sash.

WOVEN BRUSH PILE SEALS

Poly-Bond: PB-67-750



Functions

Soft silicone treated multifilament pile yarn on a woven reinforced translucent backing for all common economy sealing applications. Optional adhesive backing.

WOVEN BRUSH PILE SEALS

Fin-Seal: FS-67-750



Functions

Soft silicone treated multifilament pile yarn on a woven reinforced translucent backing. With 2 welded clear center fins for improved weather sealing of sliding windows and doors. Optional adhesive backing.



BRIO SIDE PULL HANDLE

03016

Functions

It is applied in combination with another Brio recessed handle
Recommended for use on heavy aluminum sliding doors/windows to facilitate handling of the sashes



BRIO SIDE PULL HANDLE

02614

Functions

It is applied in combination with another Brio recessed handle
Recommended for use on heavy aluminum sliding doors/windows to facilitate handling of the sashes



BRIO MINI CIECA HANDLE

02566

Functions

The "Brio mini cieca" handle performs the simple function of driving a sliding rod in case of 4 sash casements with opposing sashes



**NATIONAL ALUMINIUM
PRODUCTS COMPANY SAOG**

OMAN

Corporate Office and Factory
National Aluminum Products Co.
PO Box 15, Rusayl, PC 124, Sultanate of Oman
Phone: +968 24446450, Fax: +968-24446453
Email: sales@napco.co.om, info@napco.co.om

National Aluminum Products Co. - Branch Office
PO Box 116912, Dubai,
Office 34, Shuraa Business Center
6C Al Abraj St, Business Bay, 29th floor-Prime Tower-Dubai
Phone: +971 045236200

NAPCO Extrusions India LLP
4 , Odyssey IT Park,
Road No. 9, Wagle Industrial Estate,
Thane (West) - 400604.
Phone: +91 2220814444

www.napcooman.com