



NATIONAL ALUMINIUM  
PRODUCTS COMPANY SAOG

Casement & Doors Series N45



**05-2023-V.03**

**All rights reserved.**

No part of this publication may be reproduced, stored in a retrieval system or transmitted in any form or by any means electronic, mechanical, photocopying, recording or otherwise, without prior permission of NAPCO.





## Index

Company Profile	5
Technical Information	6
Cloud 60	9
Cross Section	77
Accessories List	100
Certificates	126
Profile Index	128



## About Us

National Aluminium Products Company SAOG (NAPCO) was established in 1984 and is one of the leading extruders of aluminum profiles in the GCC market. Located in the Sultanate of Oman, the manufacturing plant is spread over 65,000 sq. meters in the Rusayl Industrial Estate.

NAPCO offers a wide range of aluminum profile extrusions in finishes that suit functional modern design specifications. The company has left its mark on the architectural landscape of the Middle East, with its renowned quality products being used in several prominent structures.

Our annual production capacity is 42,000 MT, with four (4) state of the art presses. The extrusion presses are complemented by one anodizing line and two powder coating lines (vertical & horizontal). NAPCO also houses two wood finish lines and a crimping and bending facility.

NAPCO's commitment to quality has made it the first extrusion company in the Gulf to receive ISO certifications. We are also the only public limited aluminum extrusion company in the entire GCC. With a consistent focus on innovative production skills and high service standards, we will continue our objective to meet customer demands and expectations.



## Technical Information on Aluminium Extrusions Supplied by NAPCO

### A: Equipment & Capacity

Extrusion Press: 4

2000 MT (8') SMS Germany  
2800 MT (9') Danieli Breda, Italy  
1800 MT (7') Tecalex, Spain  
1800 MT (7') Tecalex, Spain

Powder Coating Plant: 2  
Horizontal Type, Ercon, UK  
Vertical Type: Transmetal, Italy

Anodizing Line: 1  
SAS, Germany

Wood Finish: 2 Naturall, Italy.  
Crimping & Bending Facility.

- **Current Capacity Per Annum**  
Extrusion: 42,000  
Powder Coating: 27,000  
Anodizing: 2,400  
Wood Finish: 1,500

### B: General Specification

Max profile size CCD 305mm  
(\*indicative size)

### C: Product Range

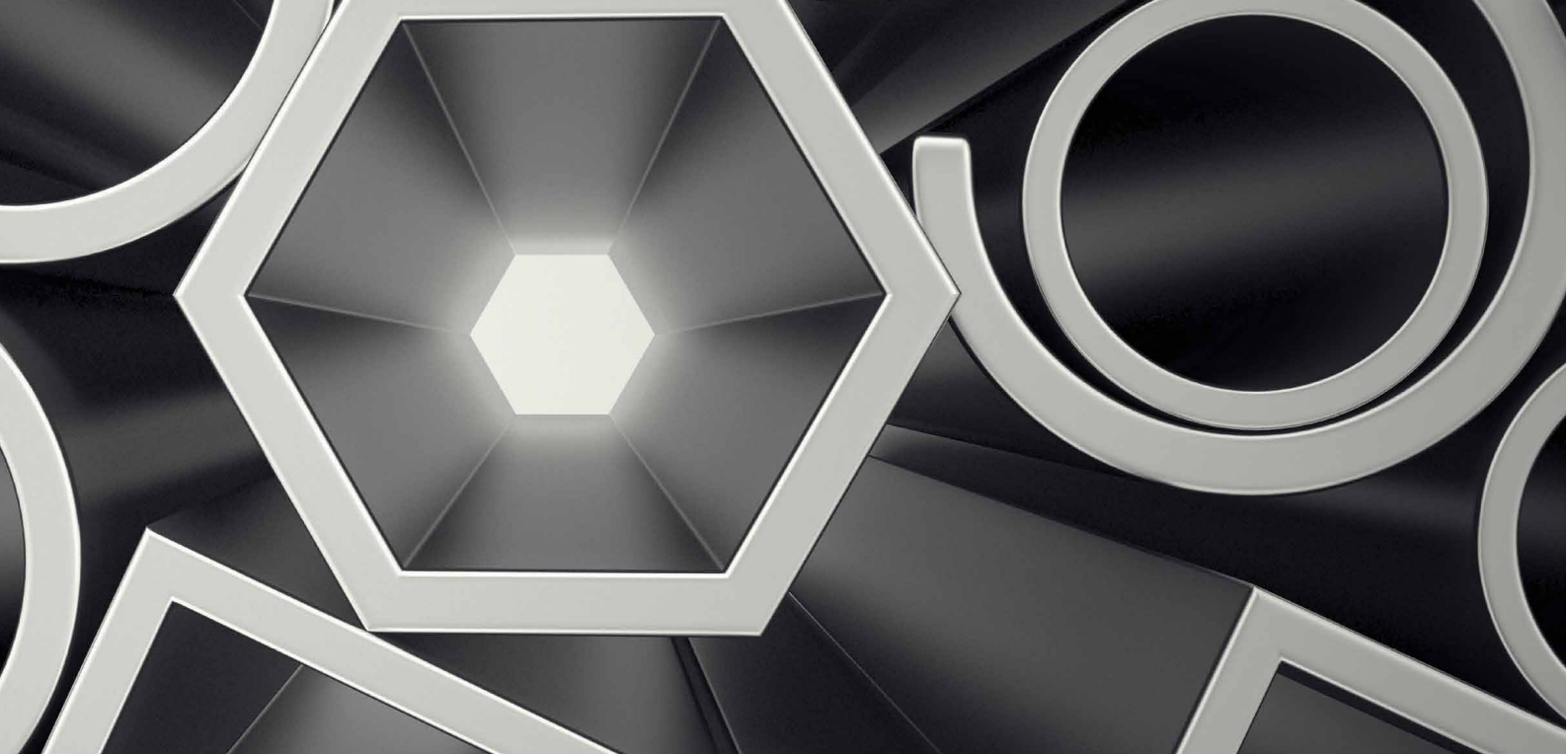
NAPCO offers a range of over 6000 profiles to suit the architectural and manufacturing industry. NAPCO also develops exclusive dies for customers against their own designs.

- **Aluminium extrusions in:**  
Mill Finish  
Anodized  
Powder Coated and Natural Wood Finish
- **Facade Systems:**  
NAPCO is in partnership with world renowned facade system houses in the GCC. Please contact us to discuss your best-fit solution.

### D: Anodizing

NAPCO has one anodizing line employing Sulphuric acid anodizing process offering a wide range of color shades such as Silver, Bronze and Black with scope of developments of other shades to suit customer requirements.

Specifications: DC Sulphuric Acid Anodizing As per EN 1- 12373 and BS 1991 3987  
Qualanod Approved



## E: Powder Coating

NAPCO has two powder coating lines ( Horizontal & Vertical ) with IR curing ovens. the color coat thickness is exposed areas is around 80-60 microns. The new vertical line can accommodate profile length up to 8 meters.

Qualicoat Approved.

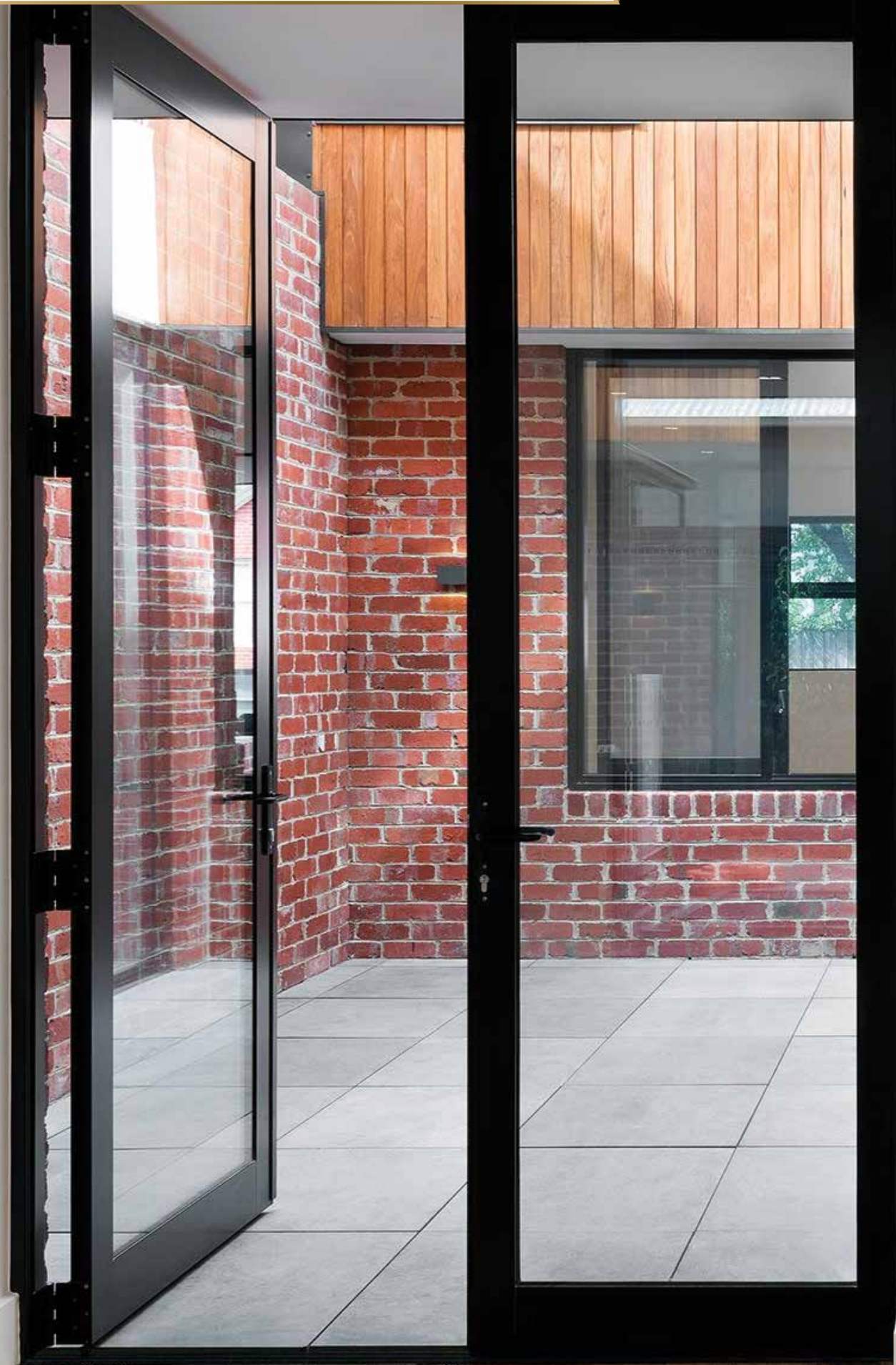
Natural finish is available in seven combinations of wood patterns.

Specification: As per 6496

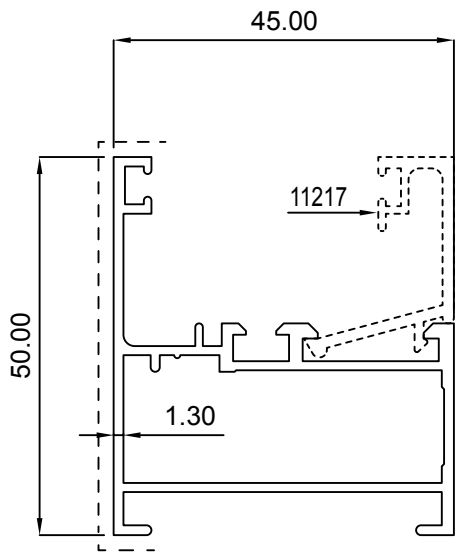
## F: Certifications



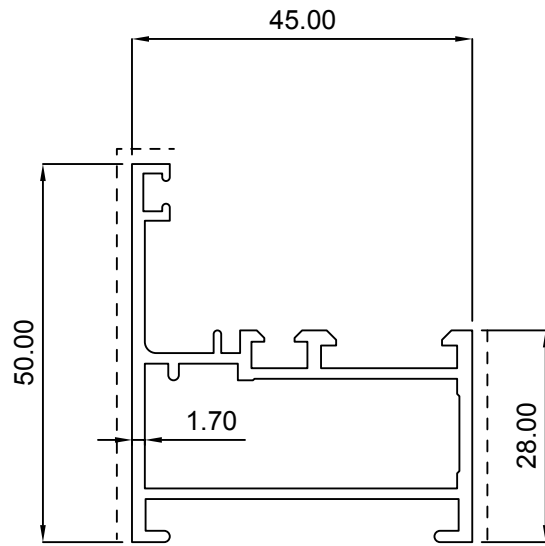
## Casement N45



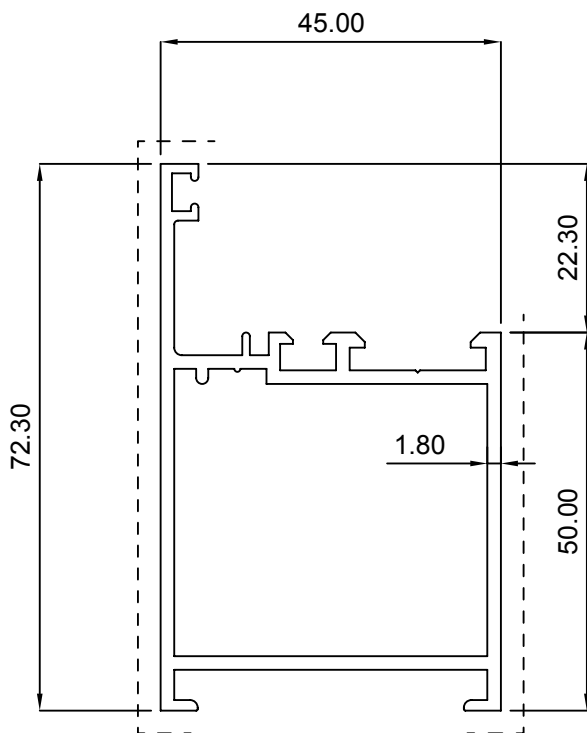
# Casement N45 - Frames



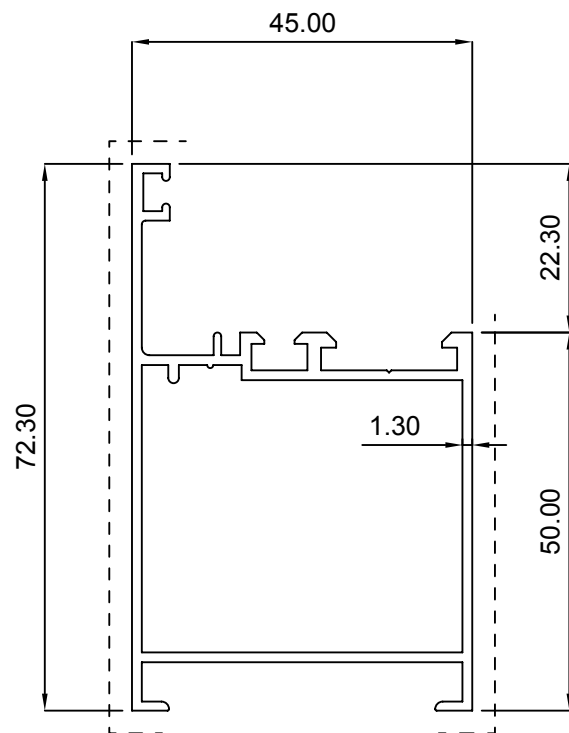
**60040**  
(0.715 Kg/m)



**22336**  
(0.825 Kg/m)

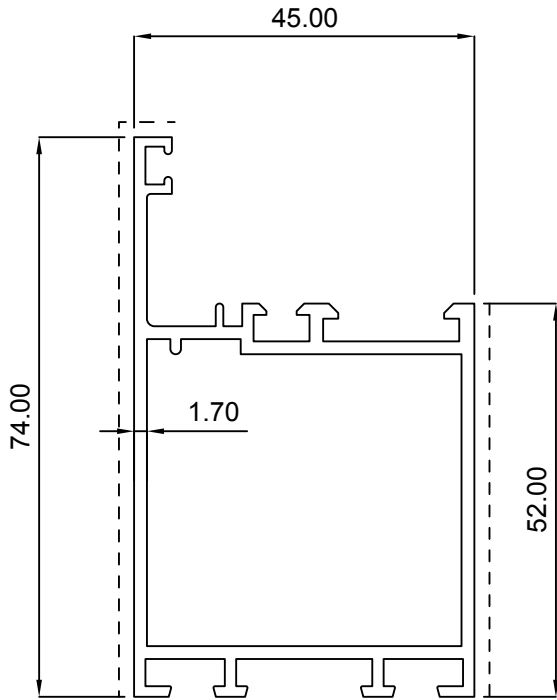


**60144**  
(1.135 Kg/m)

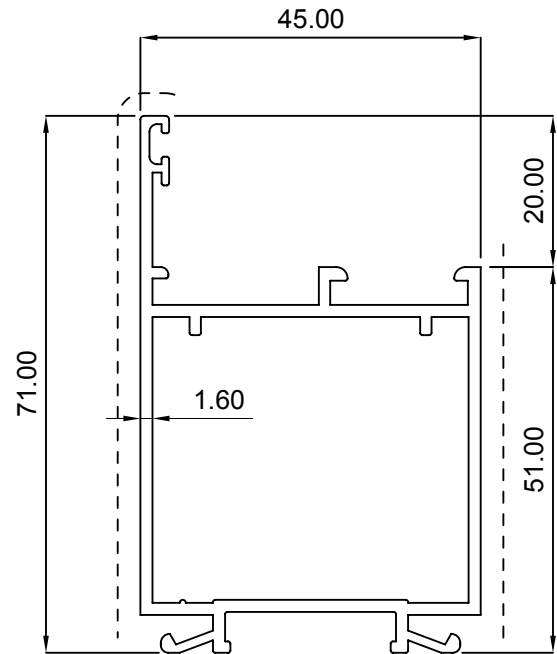


**60145**  
(0.880 Kg/m)

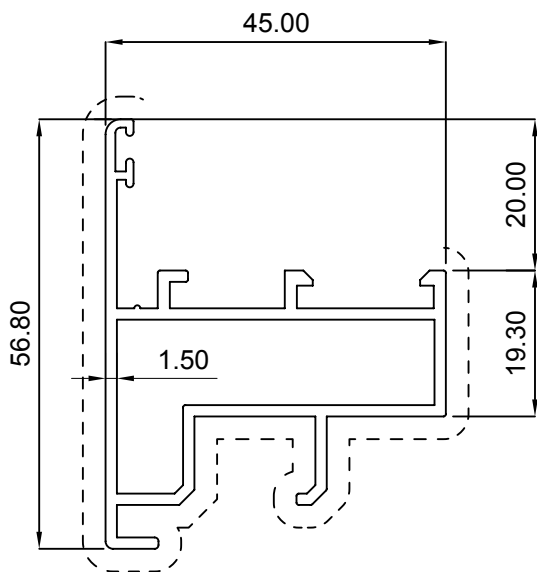
# Casement N45 - Frames



**21988**  
(1.158 Kg/m)

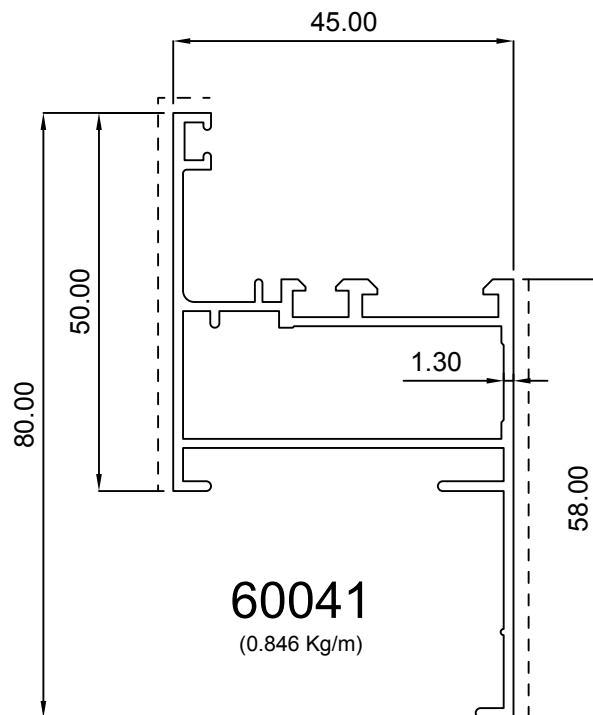
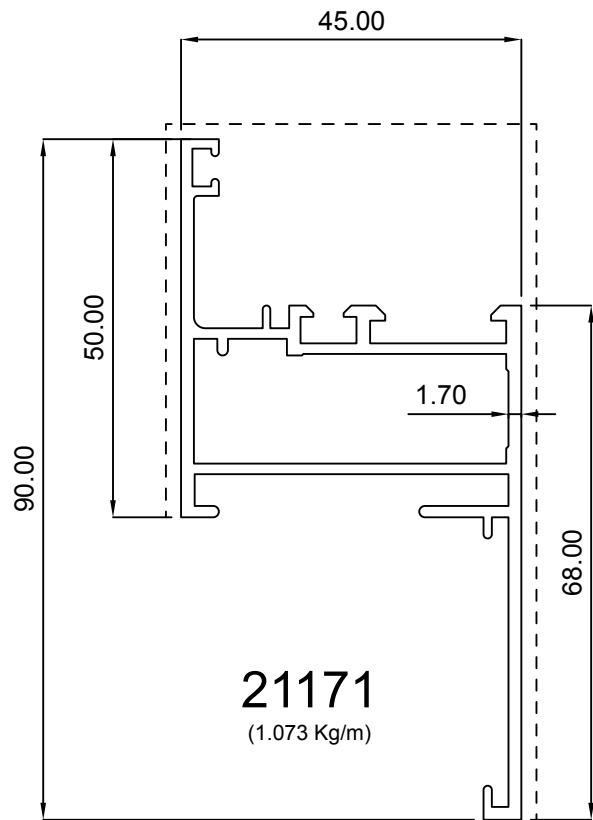
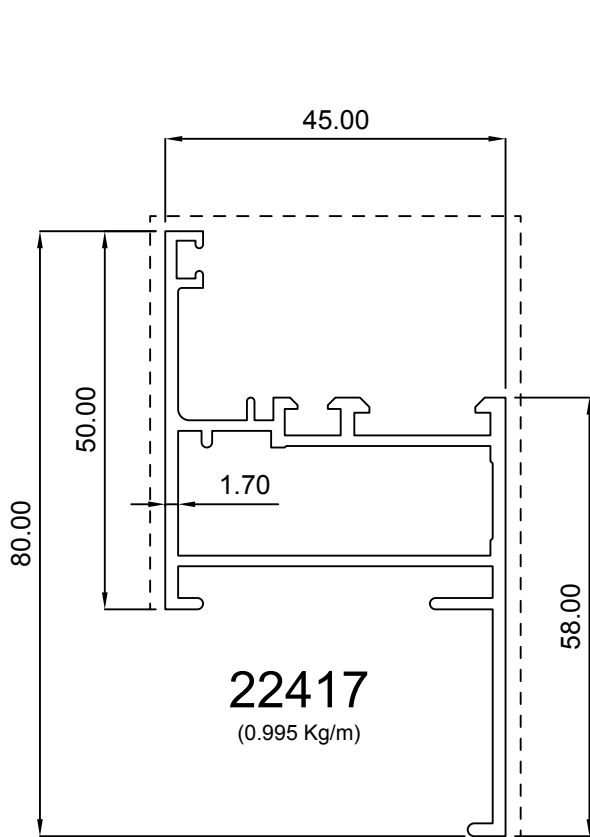


**60129**  
(1.037 Kg/m)

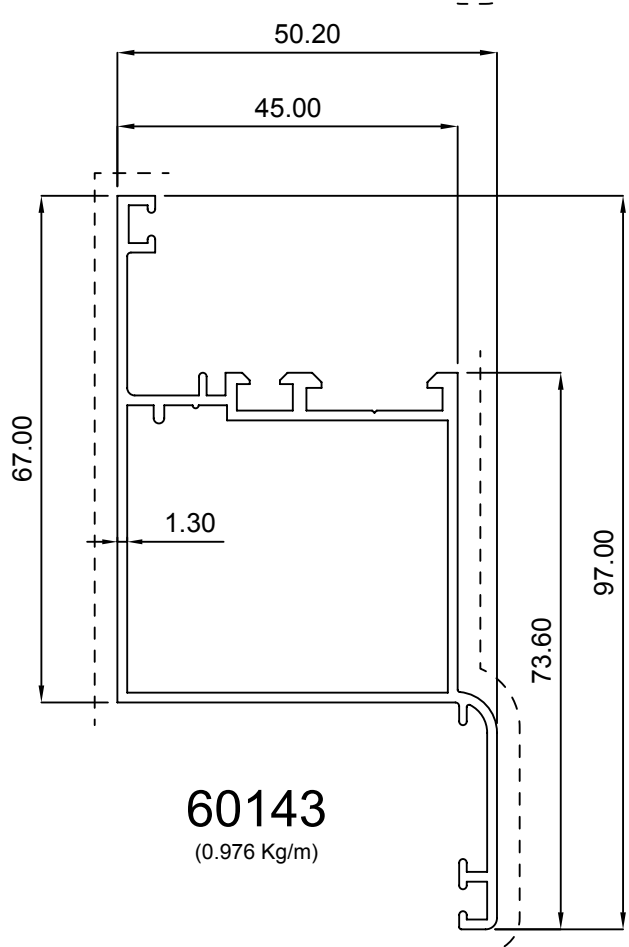
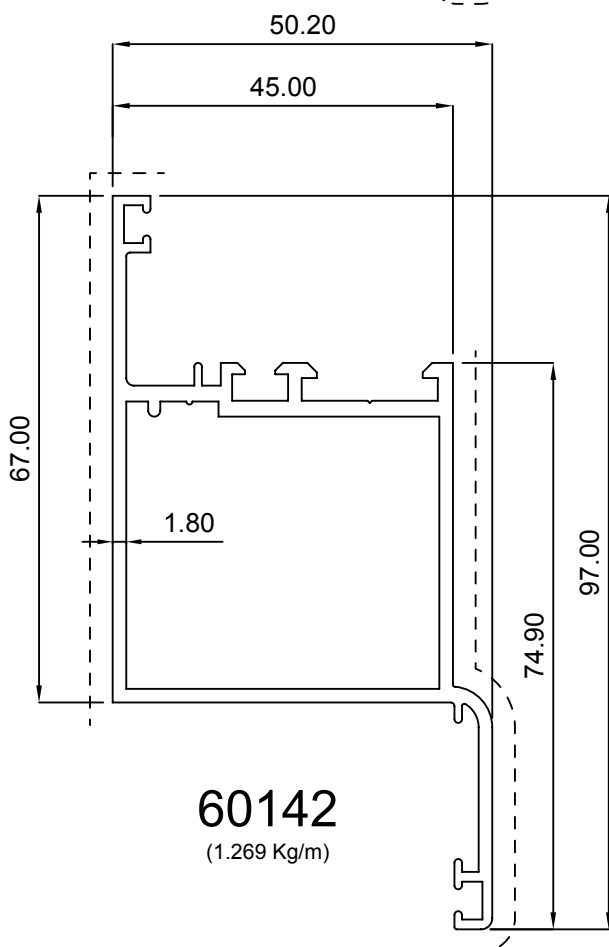
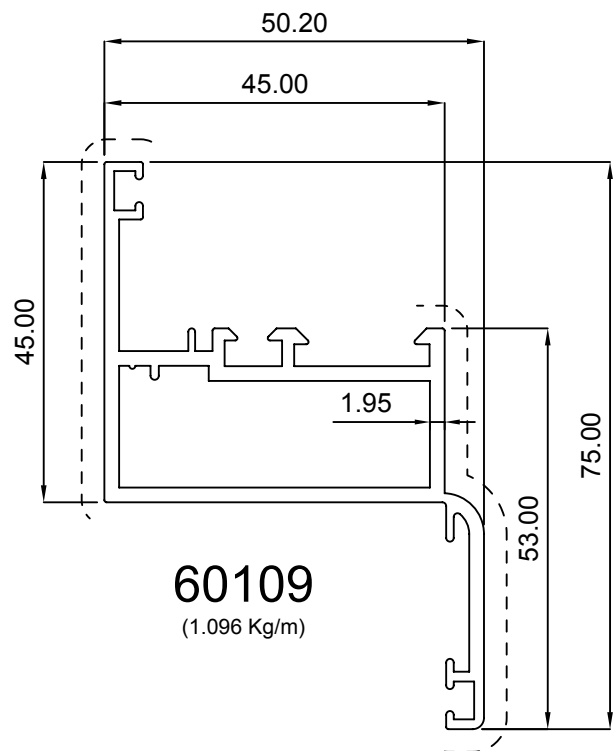
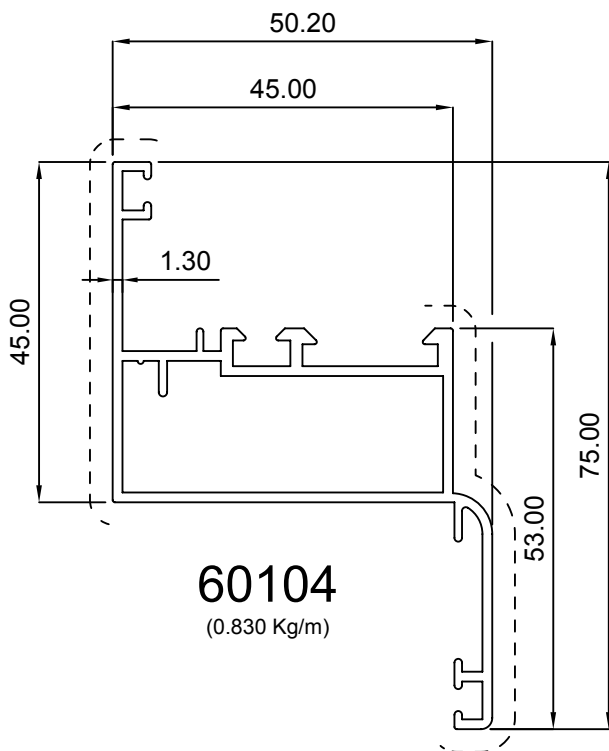


**60130**  
(0.856 Kg/m)

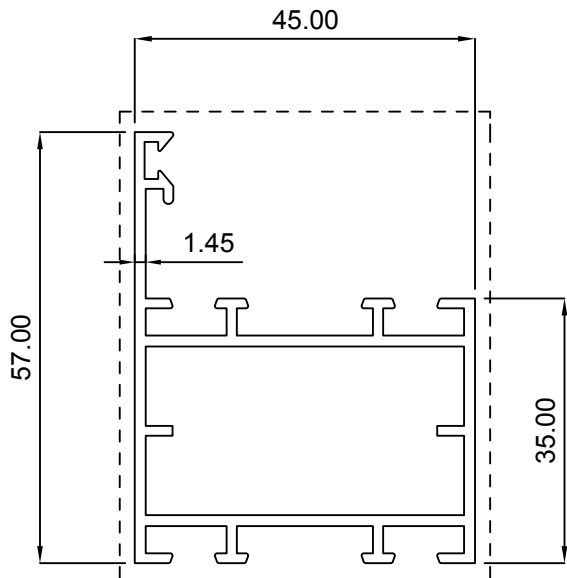
# Casement N45 - Frames



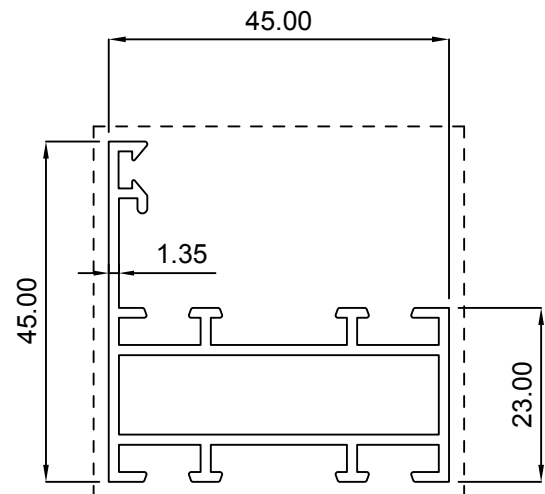
# Casement N45 - Frames



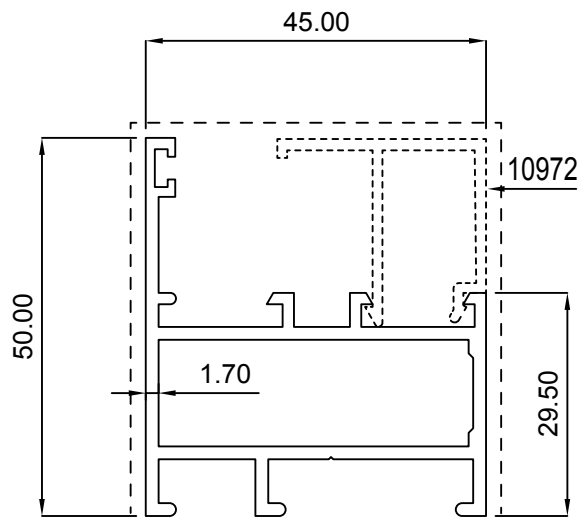
# Casement N45 - Frames



**22408**  
(0.906 Kg/m)

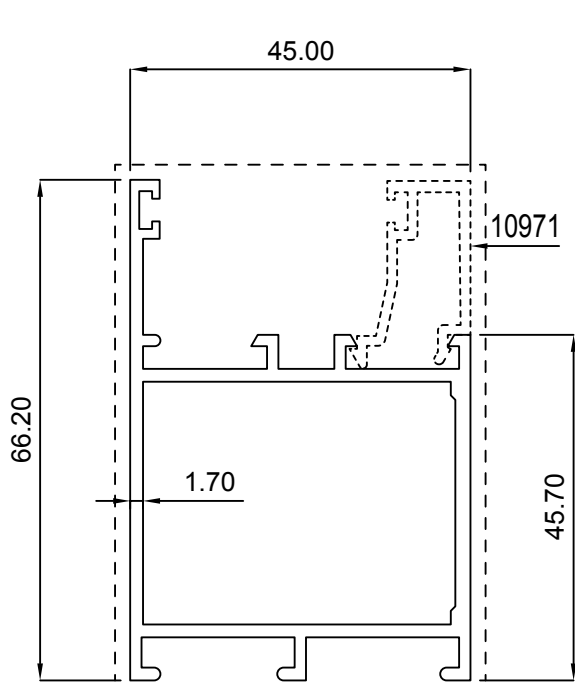


**22406**  
(0.751 Kg/m)

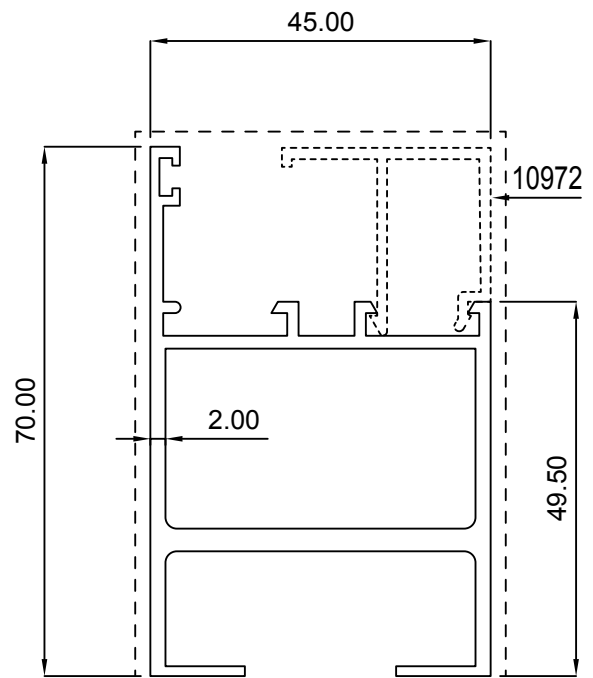


**20962**  
(0.890 Kg/m)

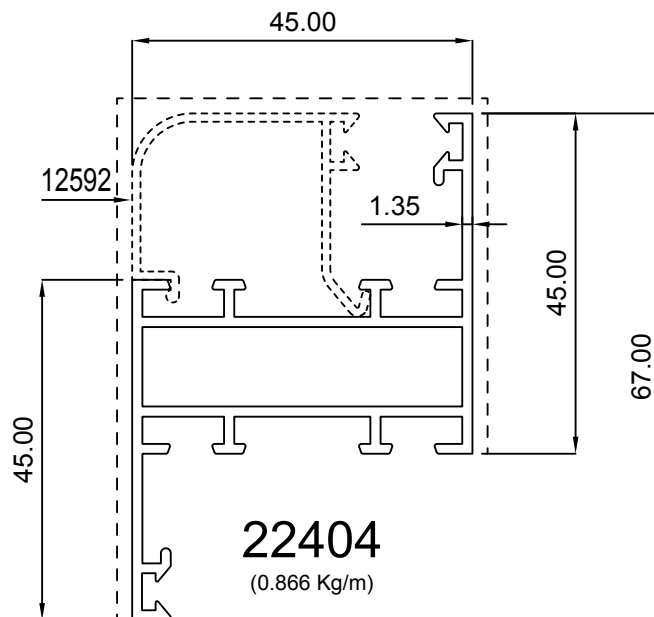
# Casement N45 - Frames



**20963**  
(1.050 Kg/m)

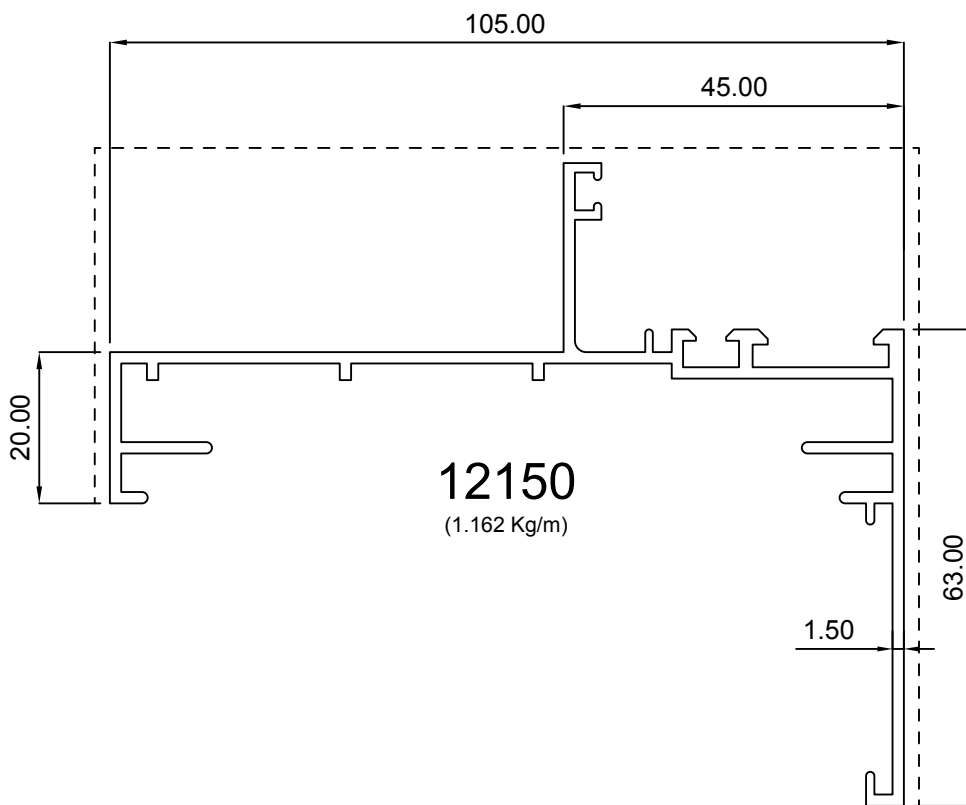
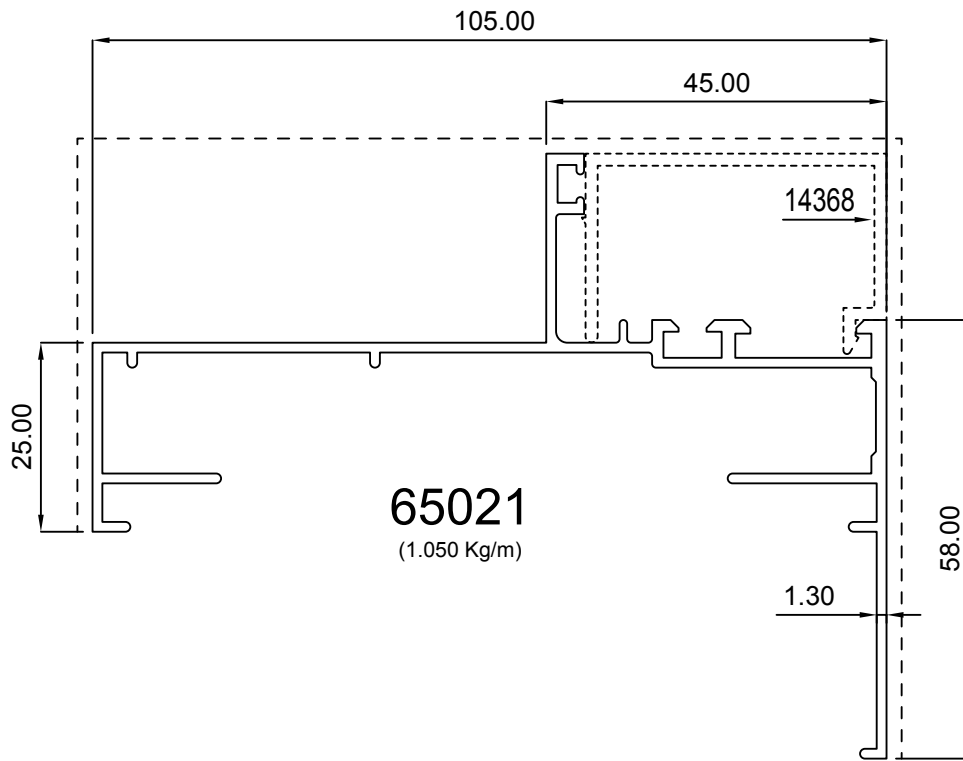


**20966**  
(1.294 Kg/m)

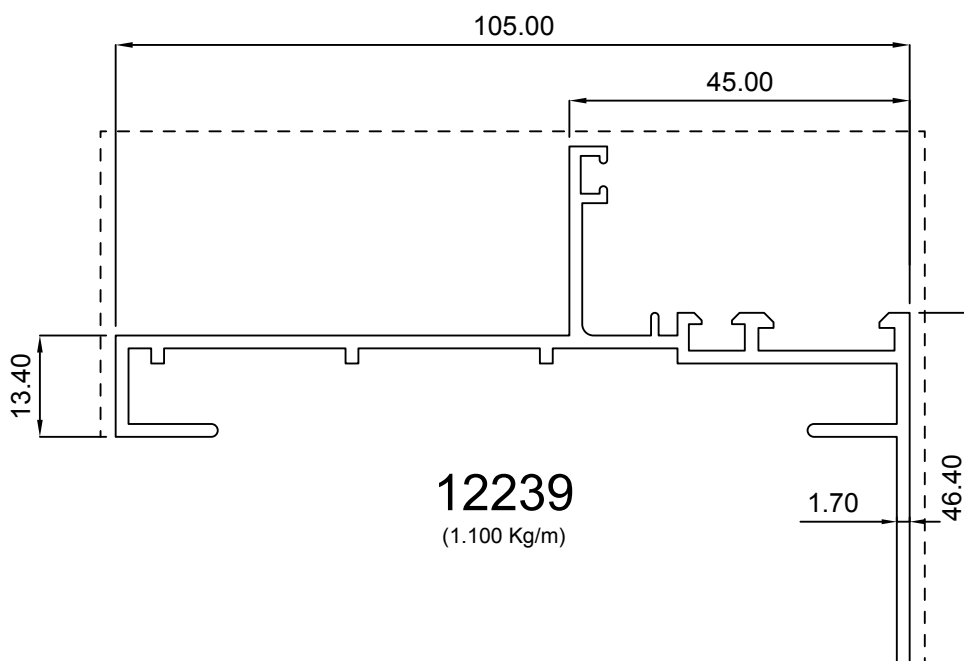
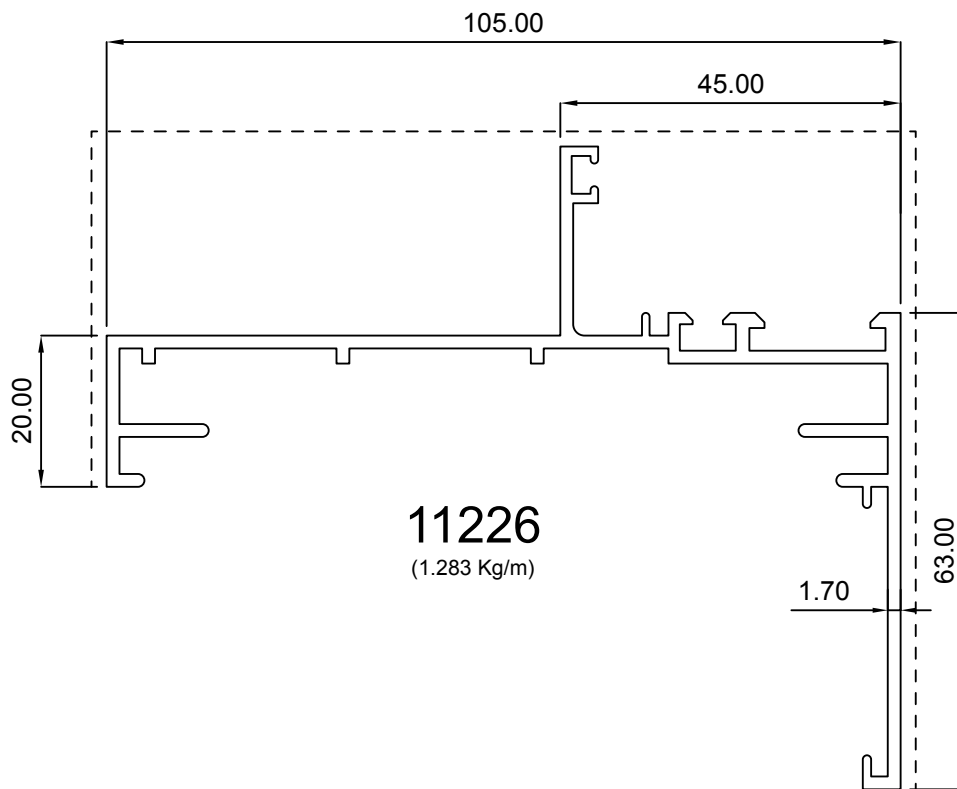


**22404**  
(0.866 Kg/m)

# Casement N45 - Frames

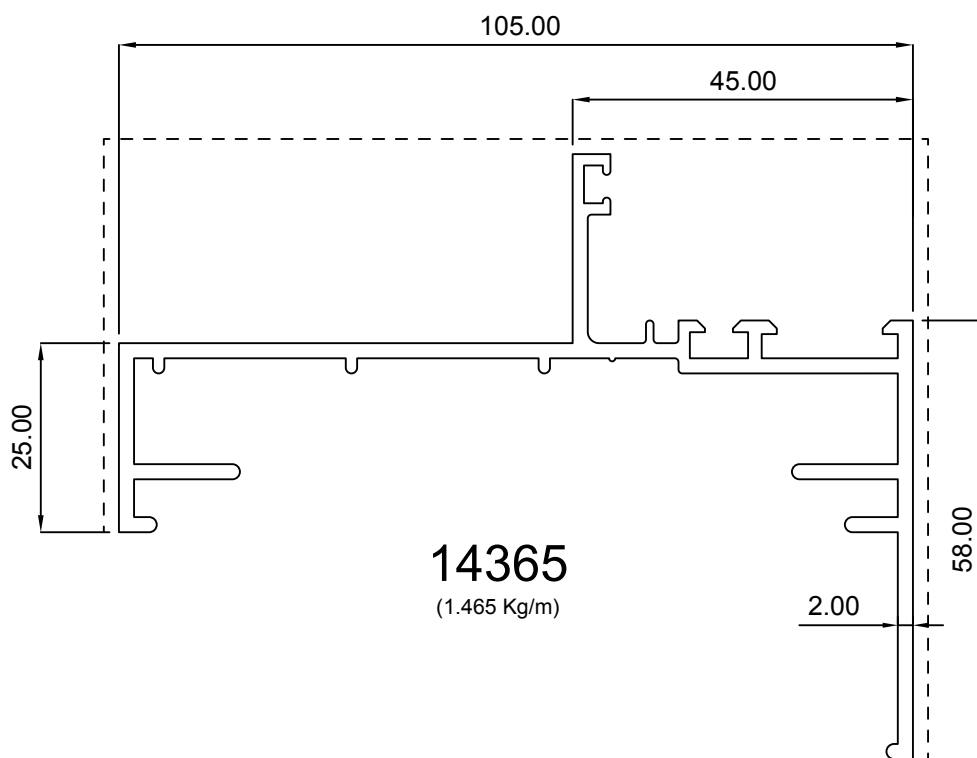


# Casement N45 - Frames

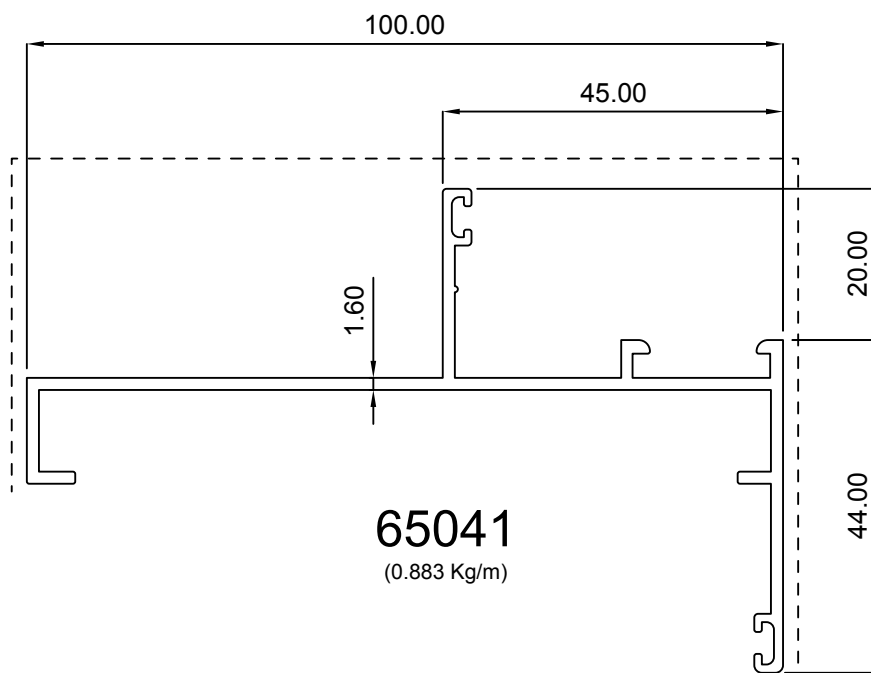
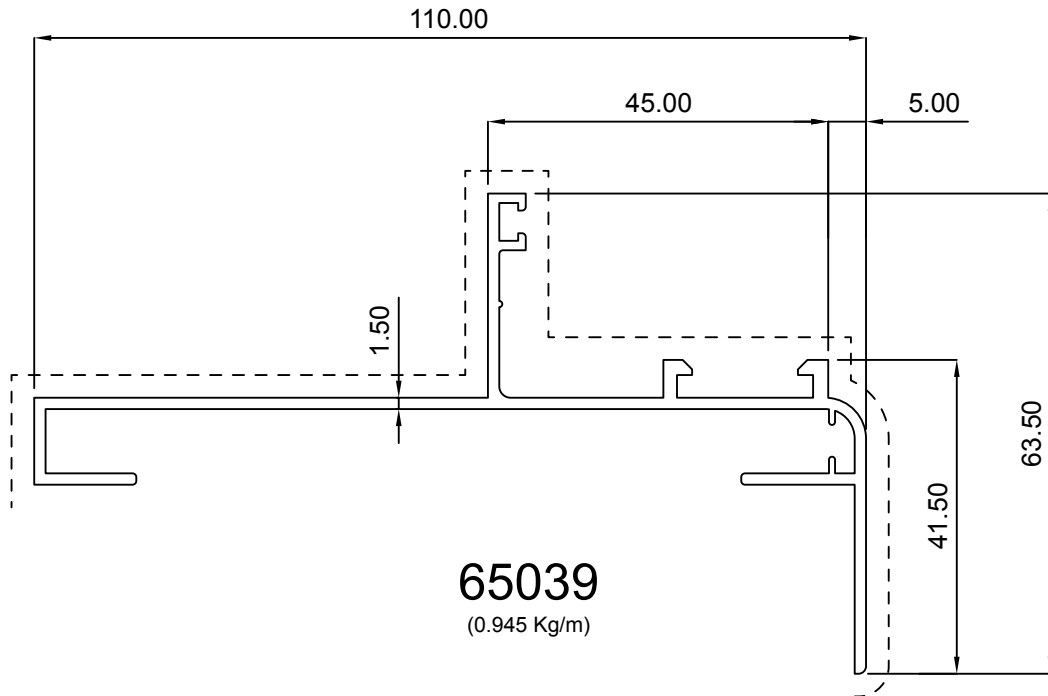


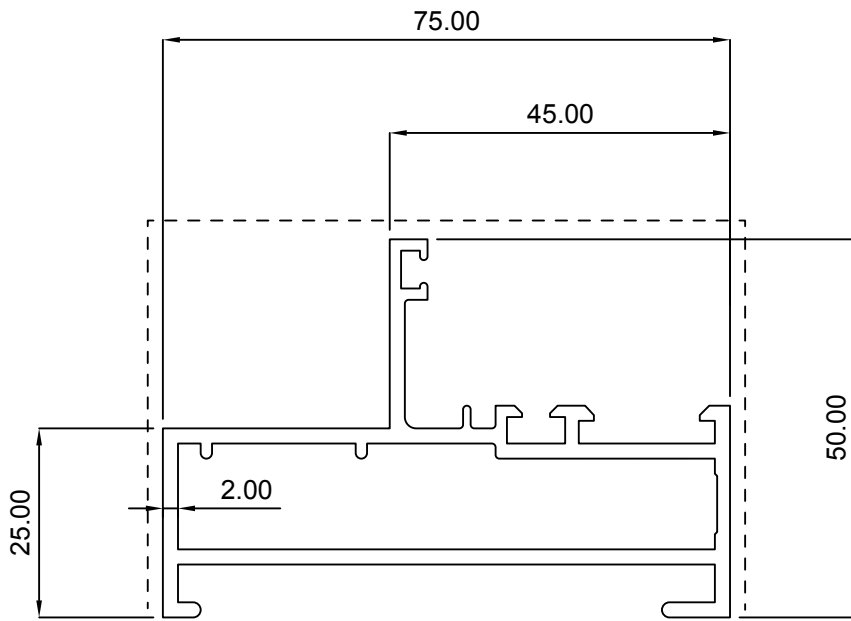
\* For export, not recommended for GCC usage

# Casement N45 - Frames

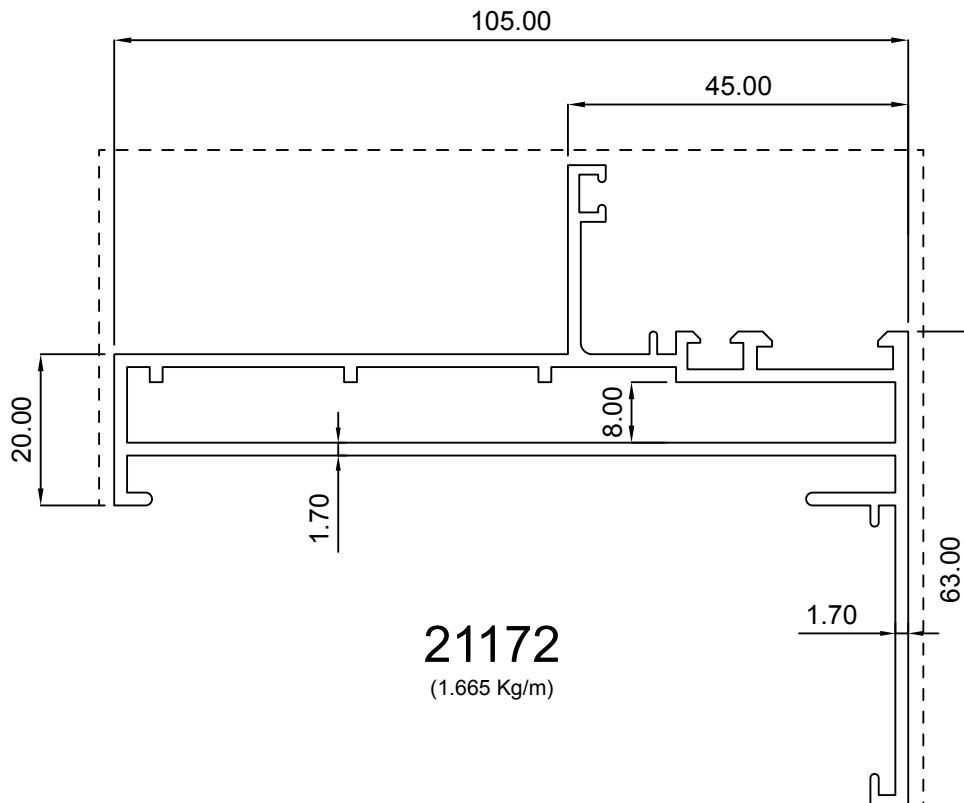


\* For export, not recommended for GCC usage



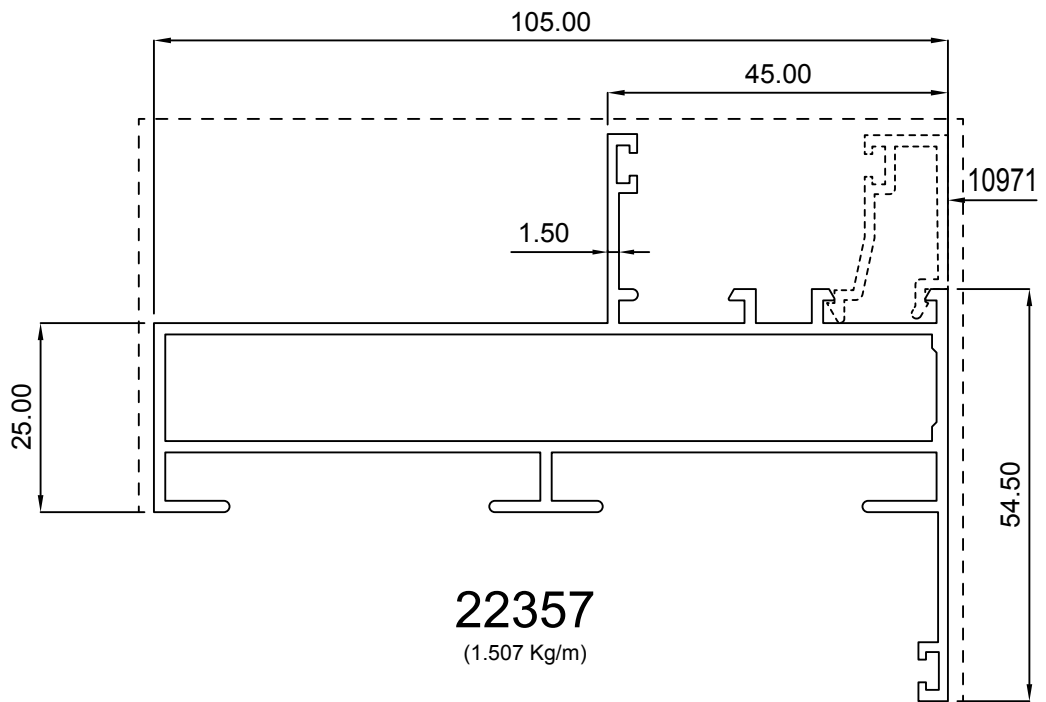
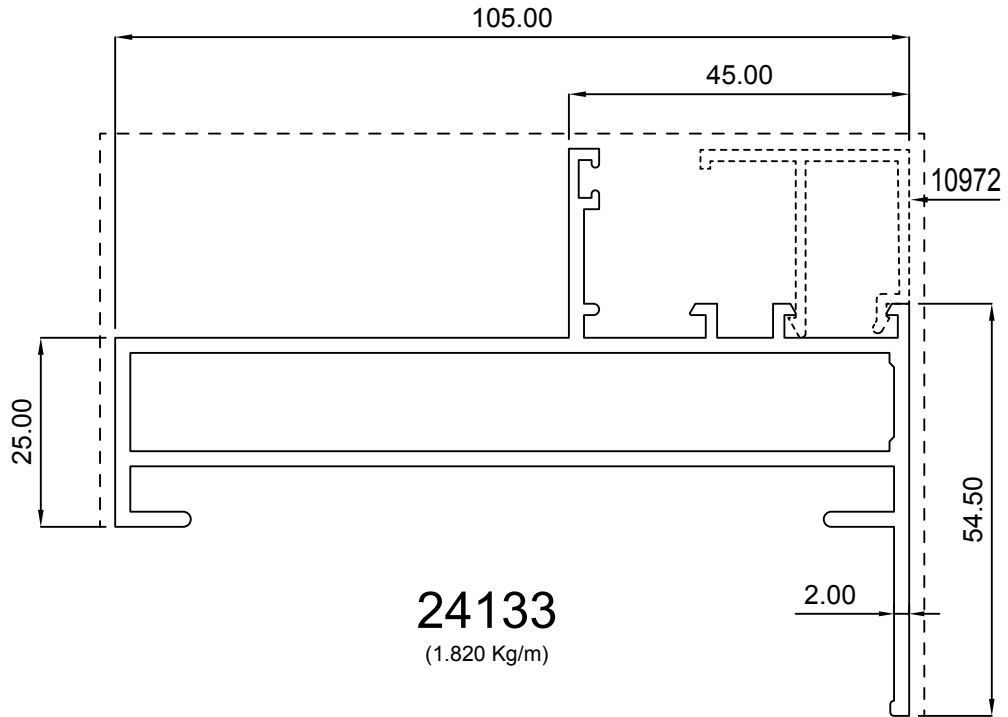


**24490**  
(1.356 Kg/m)

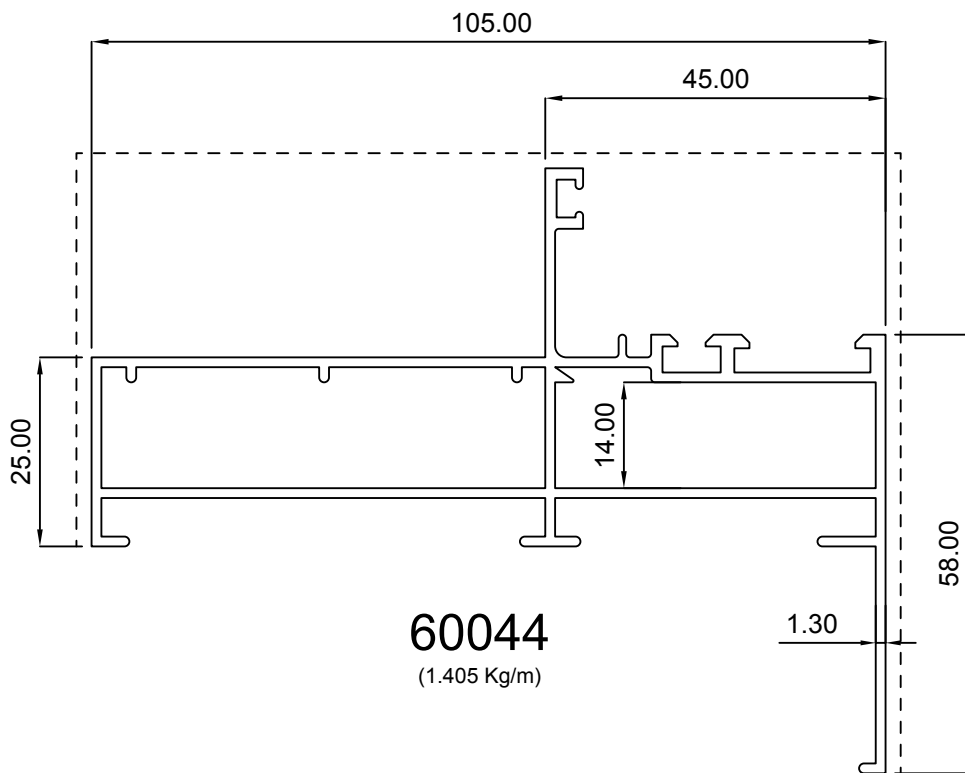
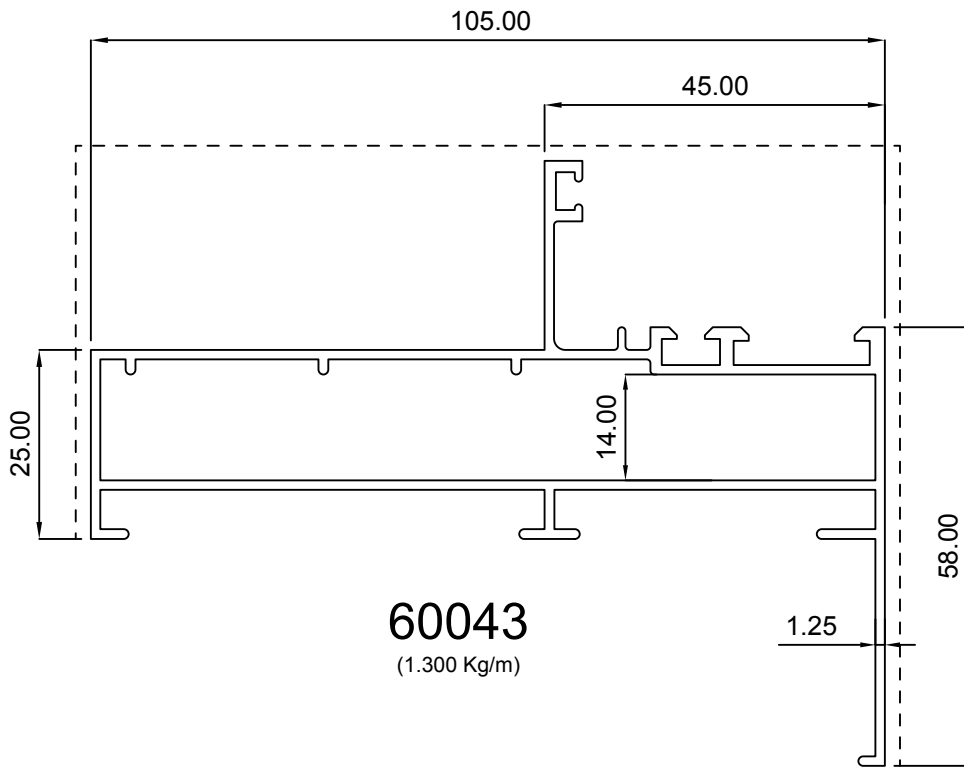


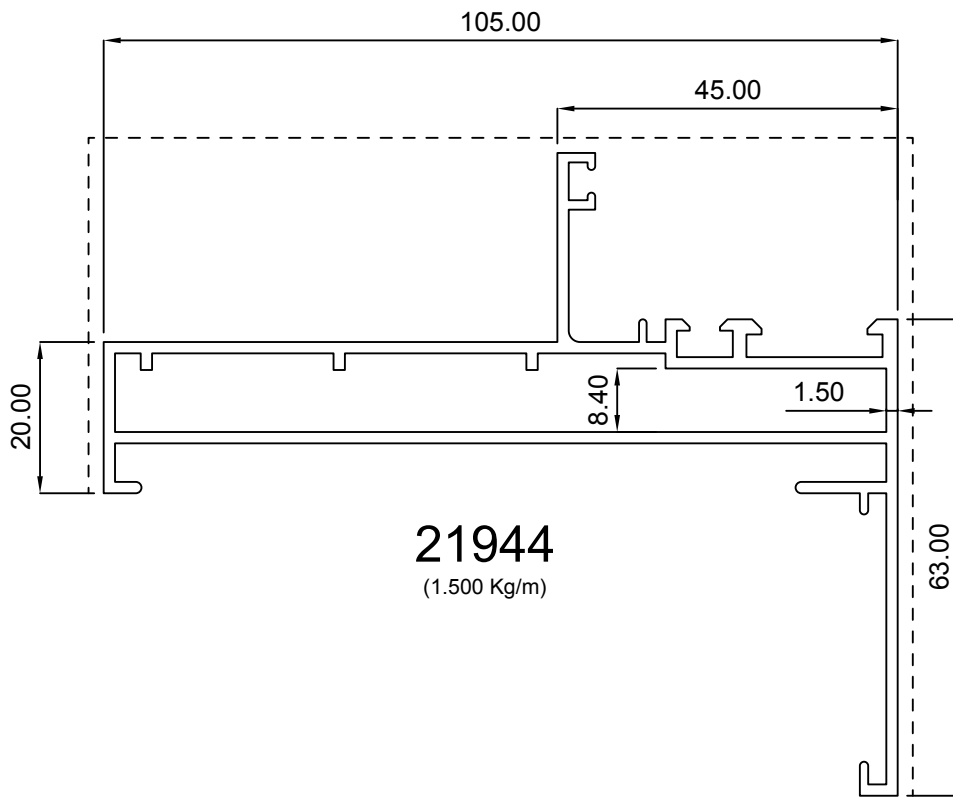
**21172**  
(1.665 Kg/m)

# Casement N45 - Frames

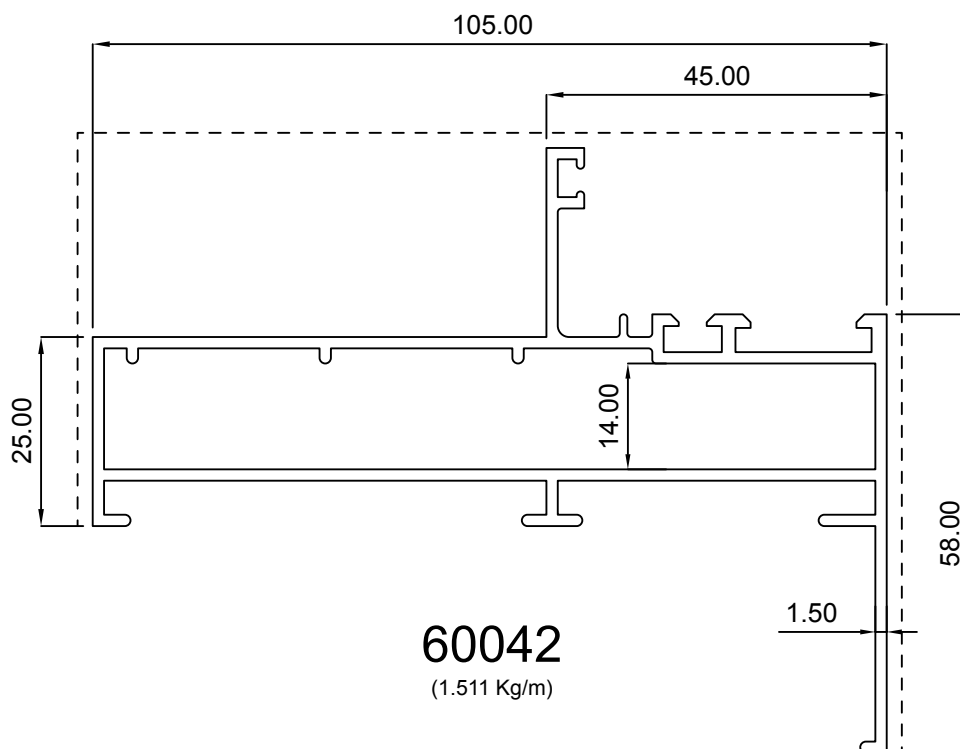


# Casement N45 - Frames



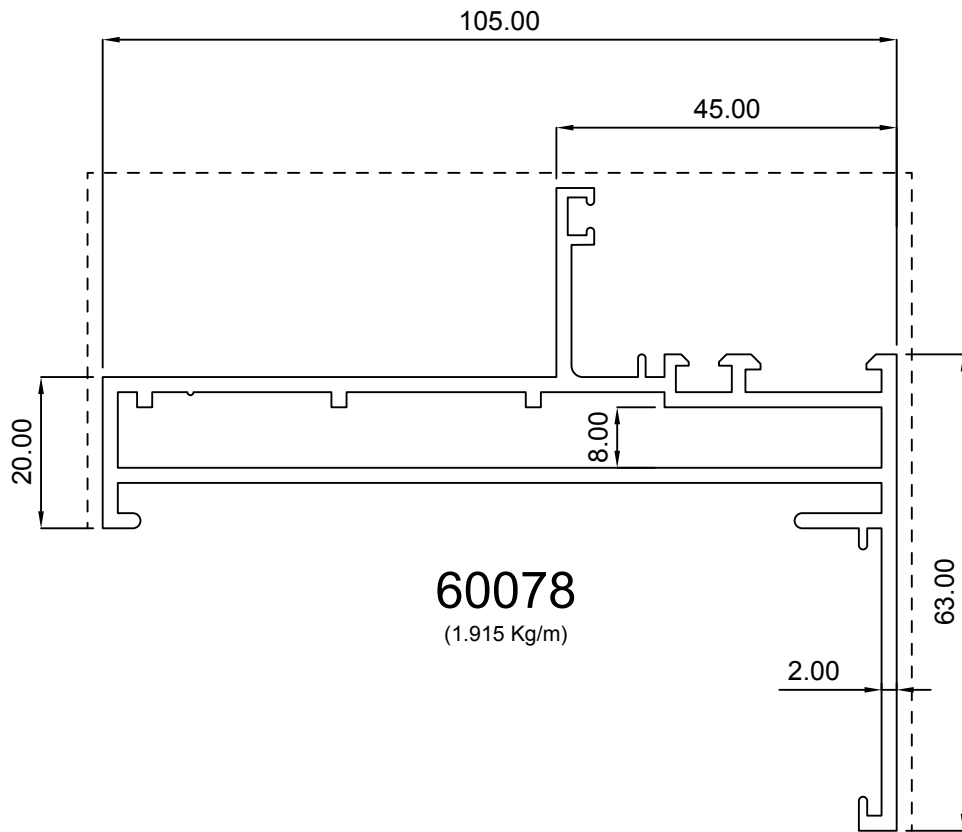
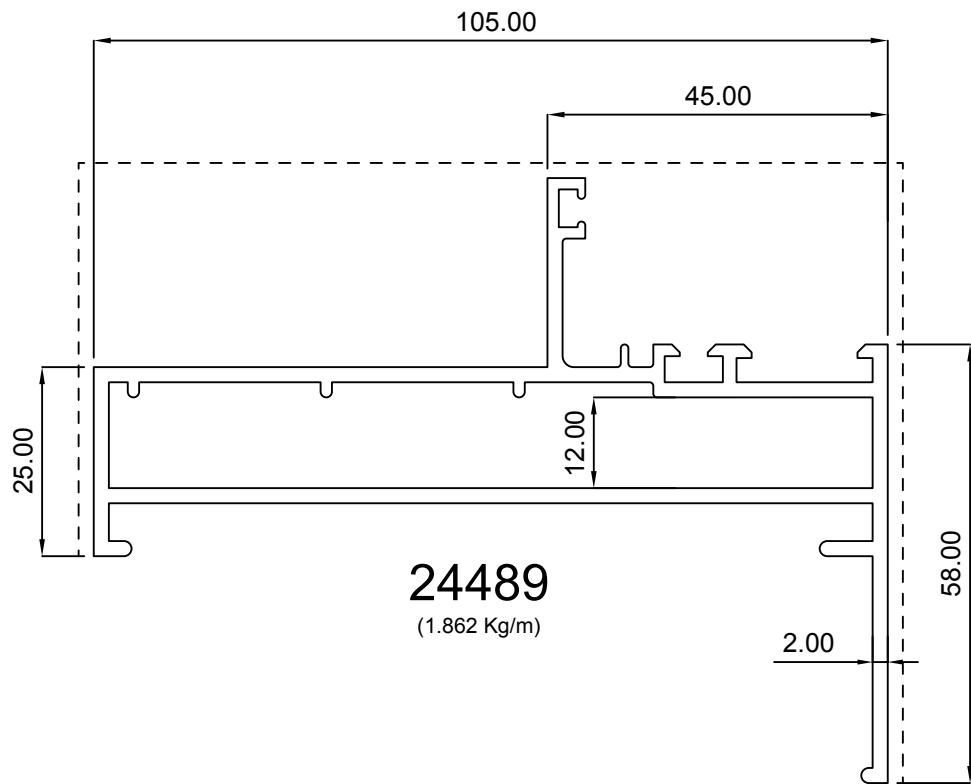


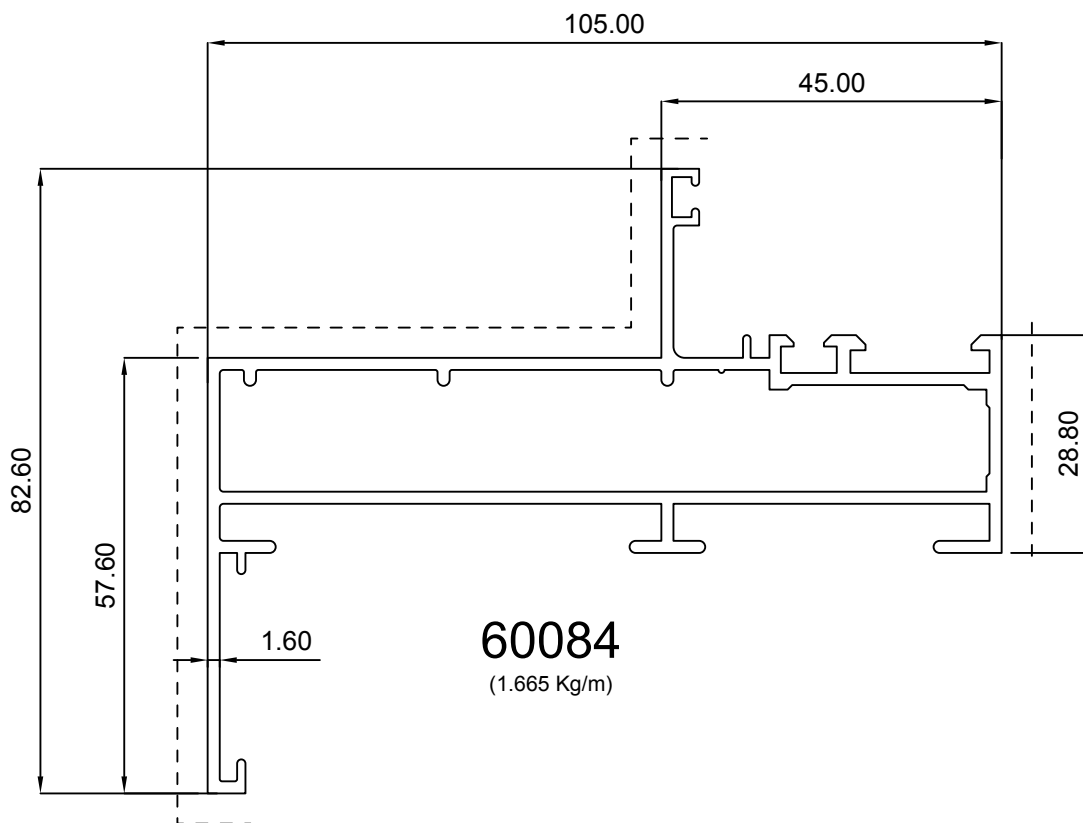
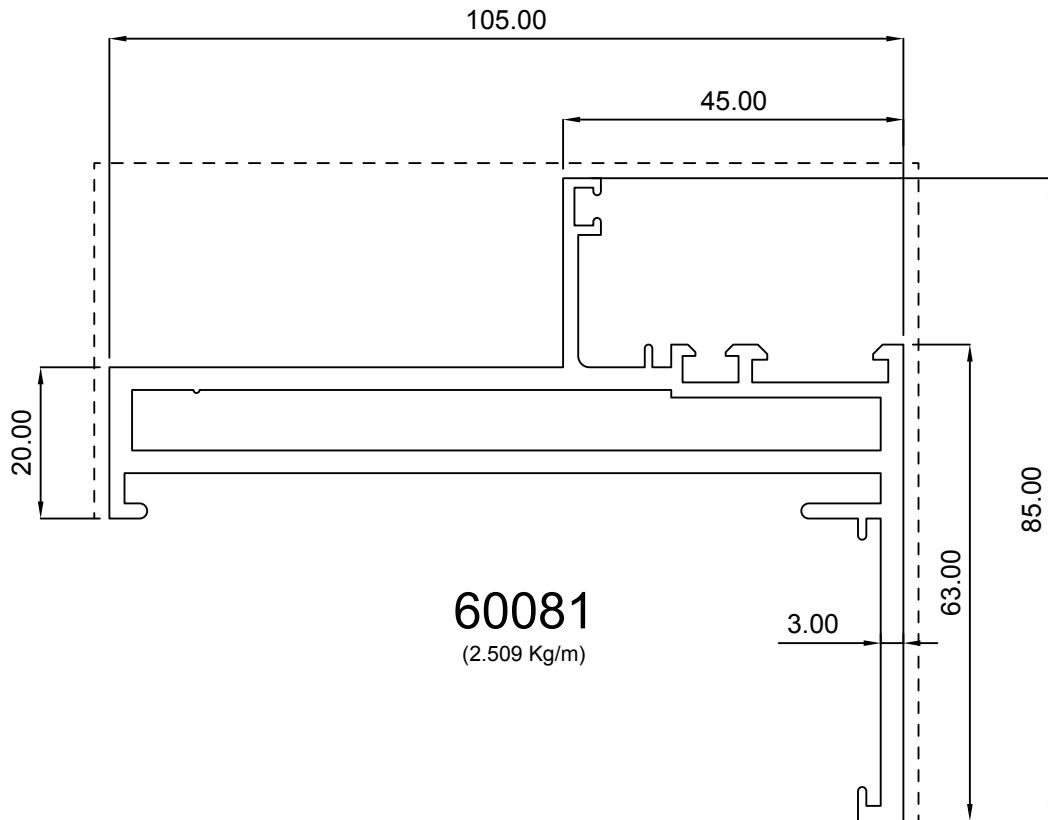
**21944**  
(1.500 Kg/m)

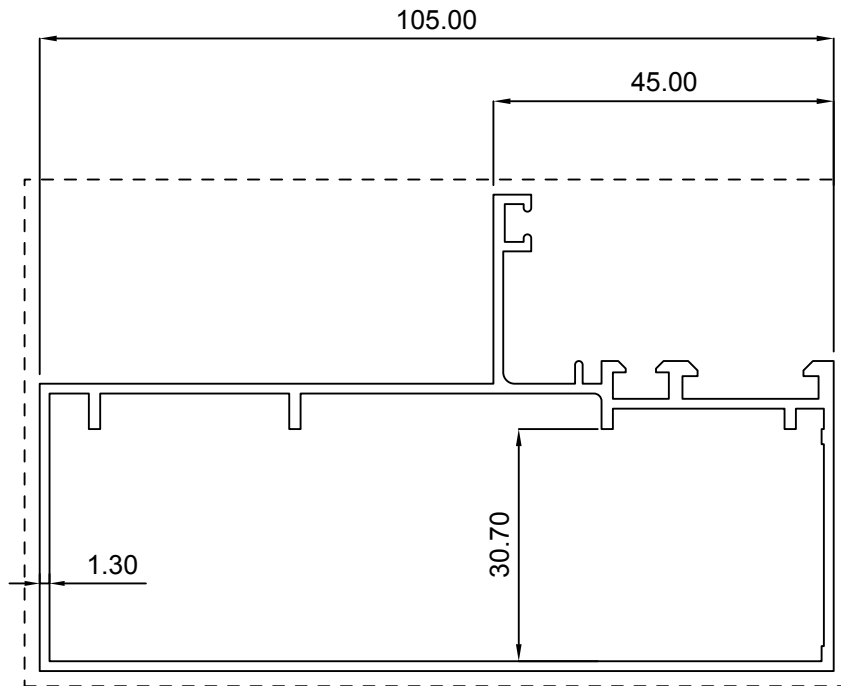


**60042**  
(1.511 Kg/m)

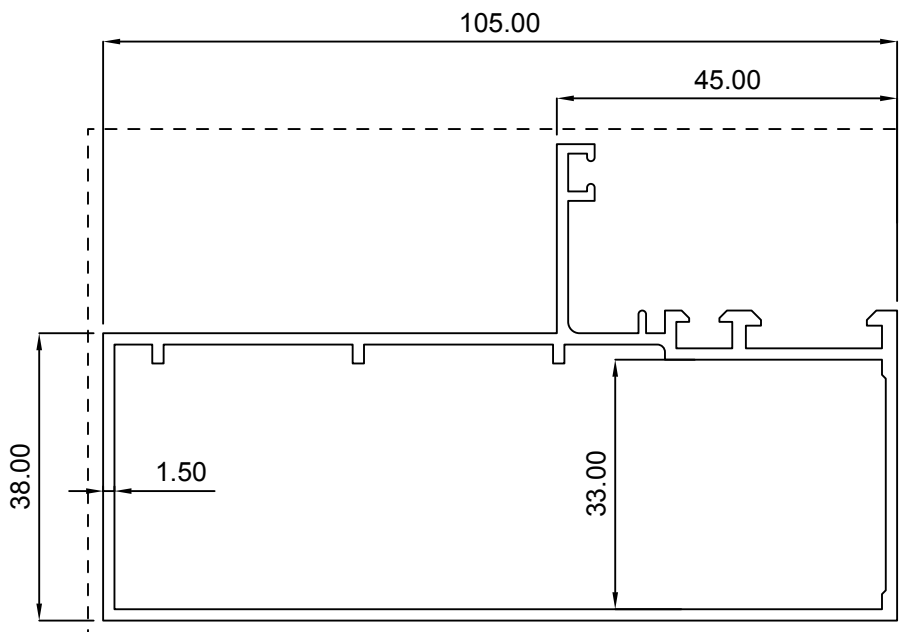
# Casement N45 - Frames



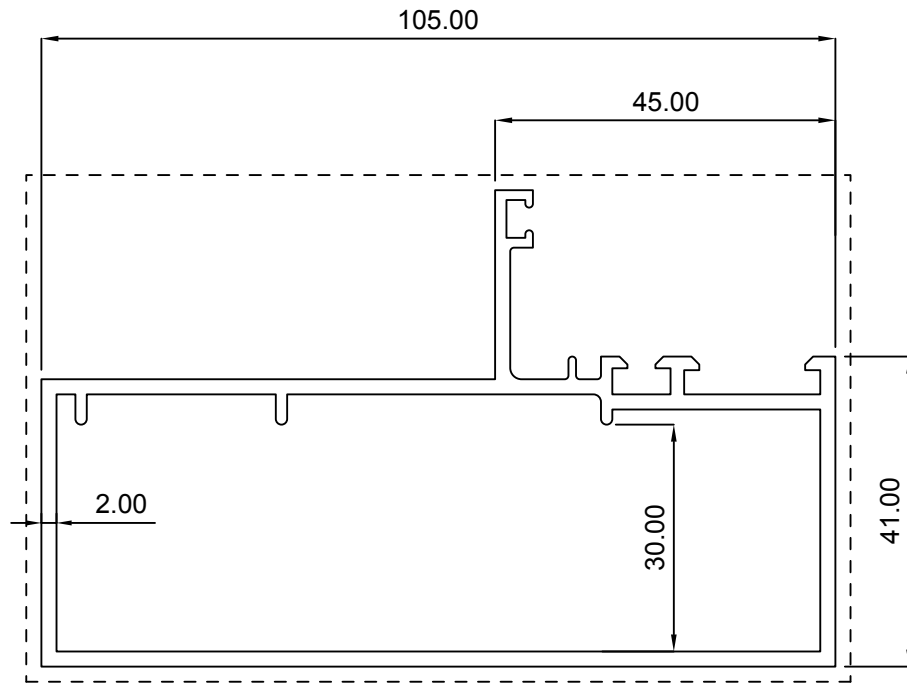




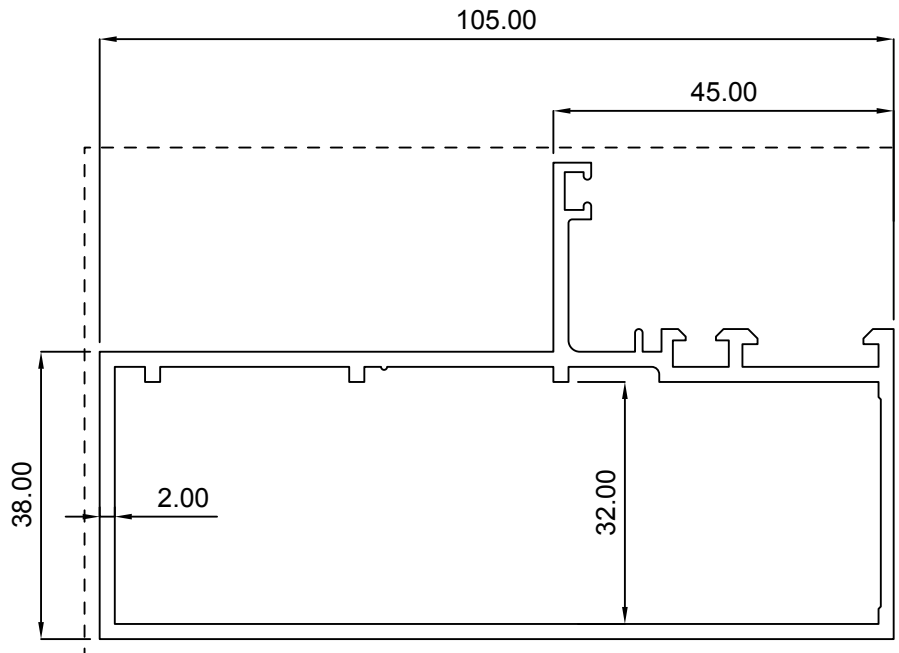
**60047**  
(1.272 Kg/m)



**21945**  
(1.402 Kg/m)

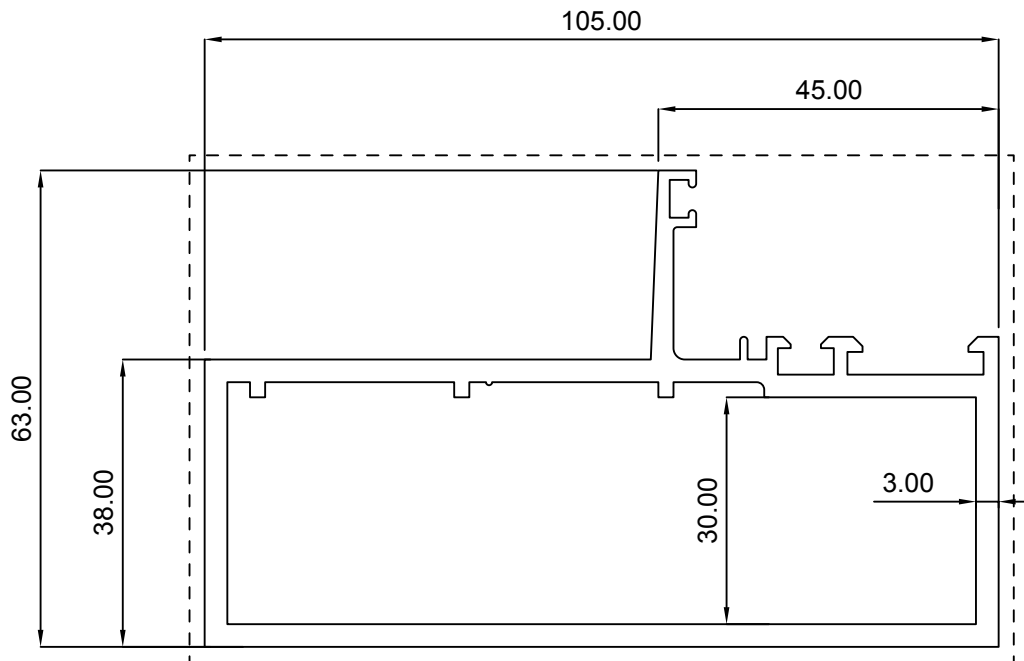


**24491**  
(1.787 Kg/m)

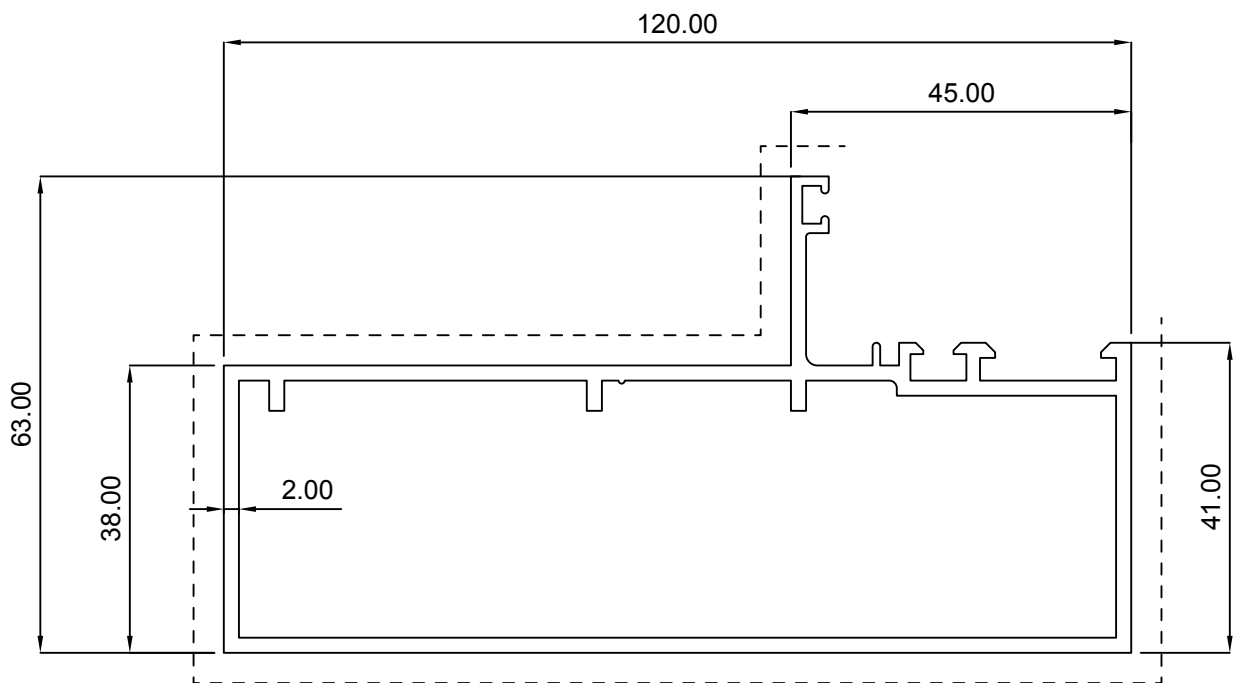


**21174**  
(1.765 Kg/m)

# Casement N45 - Frames

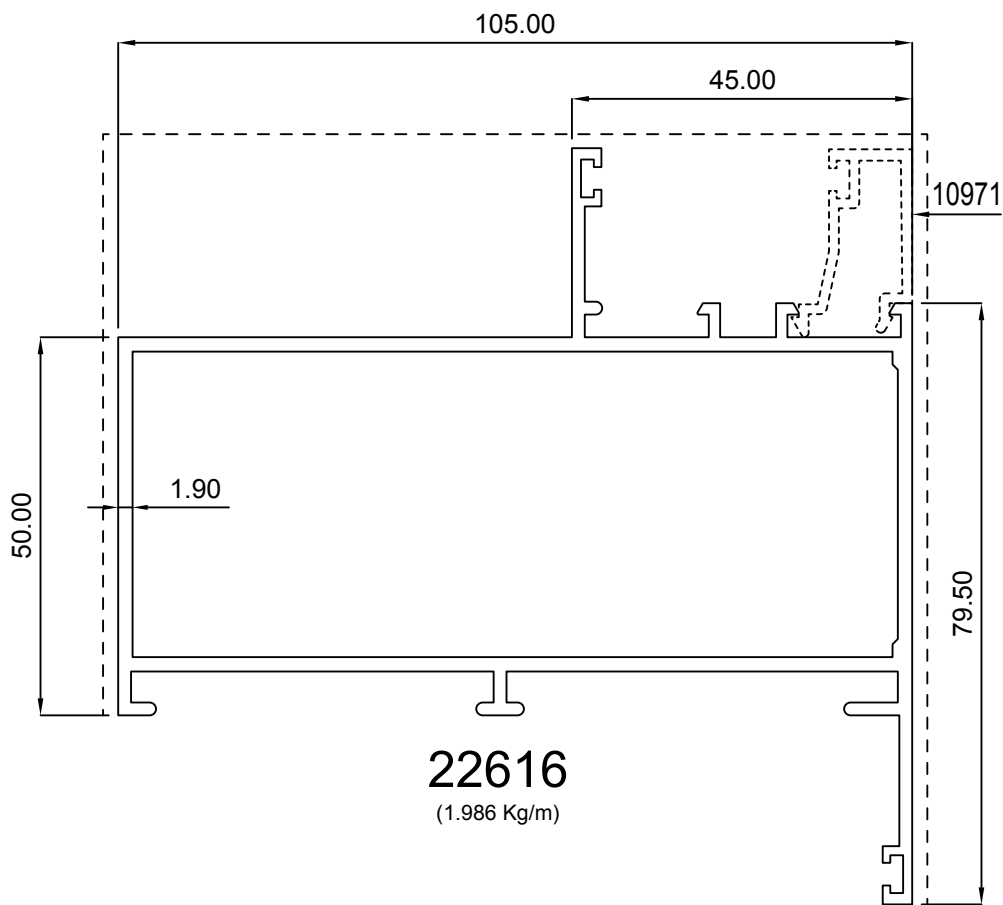
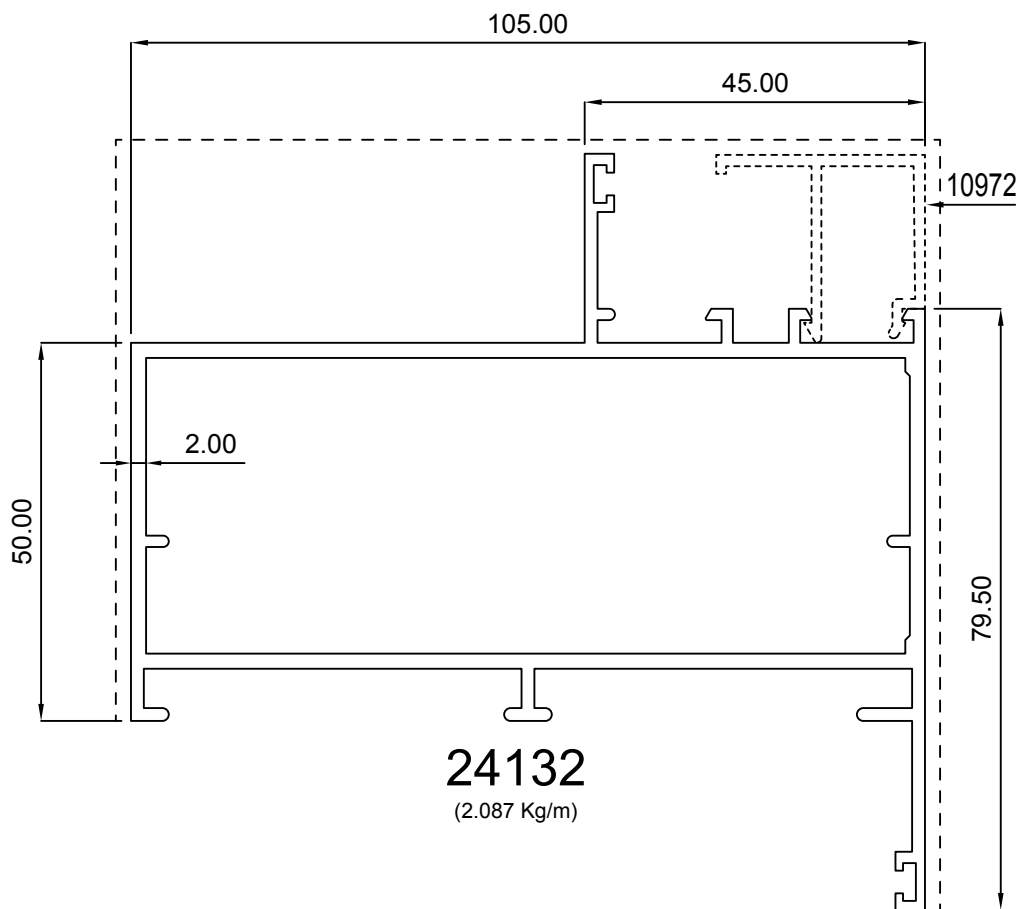


**60079**  
(2.535 Kg/m)

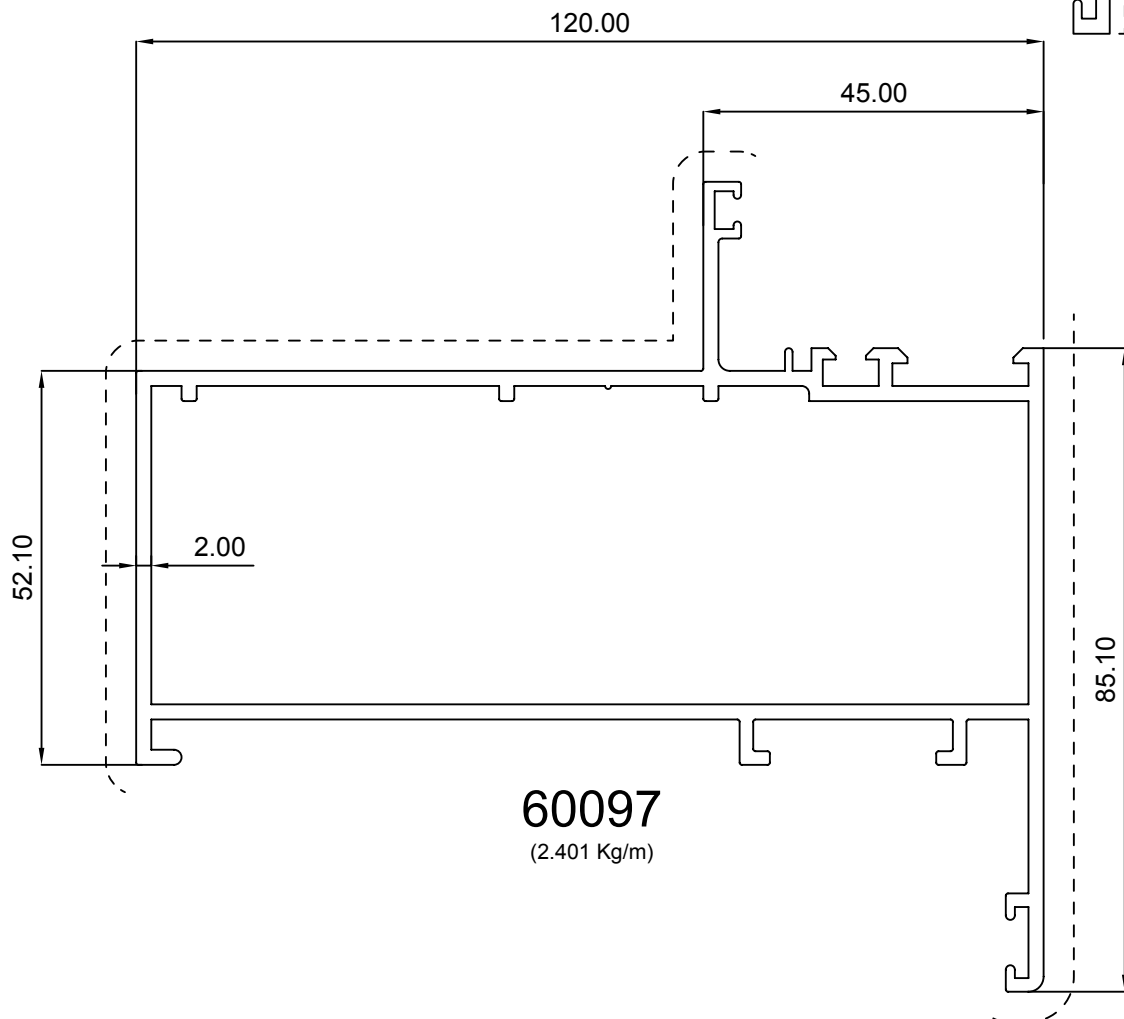
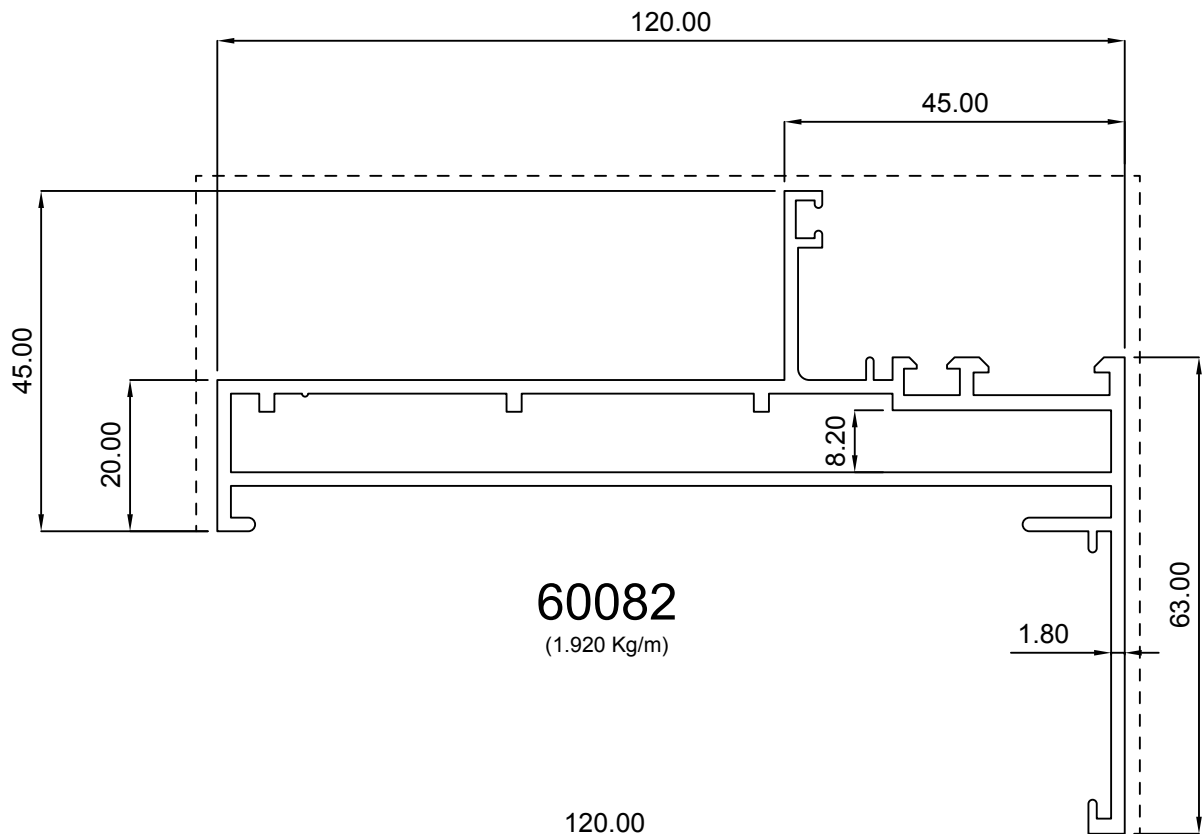


**60086**  
(1.983 Kg/m)

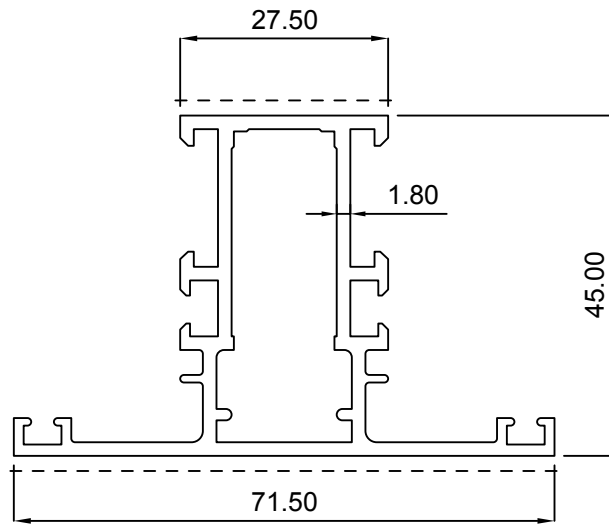
# Casement N45 - Frames



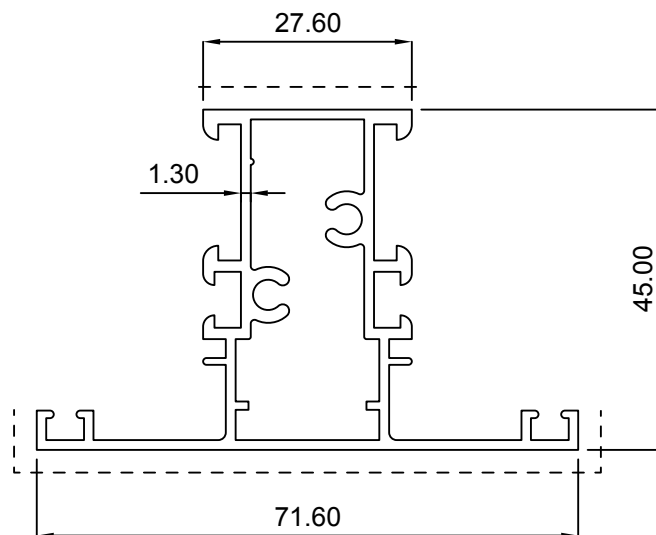
# Casement N45 - Frames



## Casement N45 - T Section

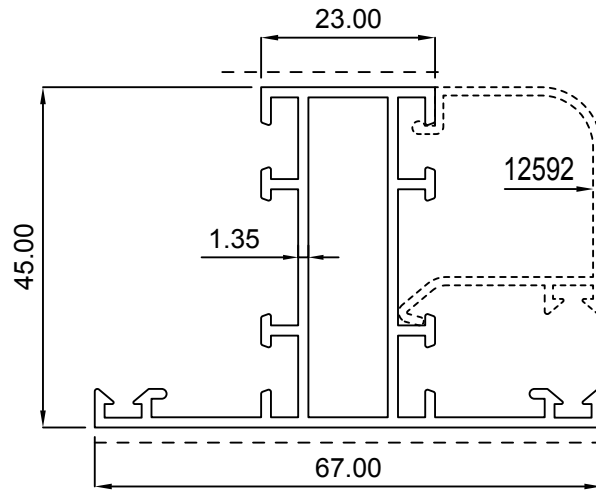


**24485**  
(1.130 Kg/m)

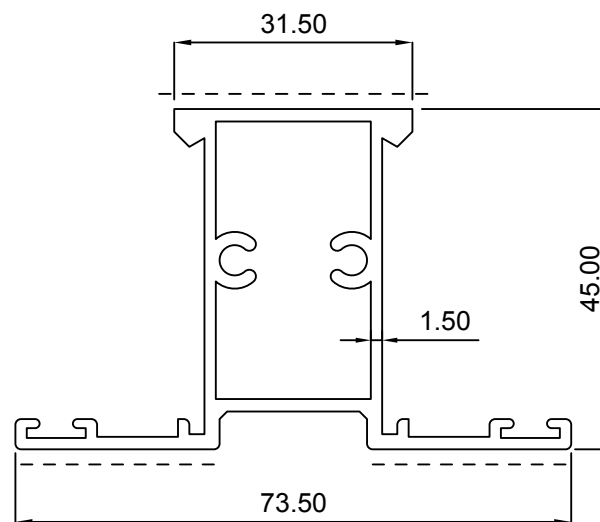


**60105**  
(0.994 Kg/m)

# Casement N45 - T Section

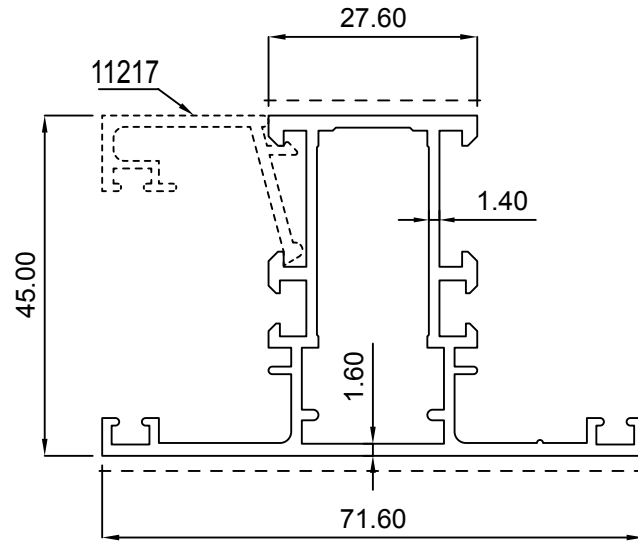


**22405**  
(0.866 Kg/m)

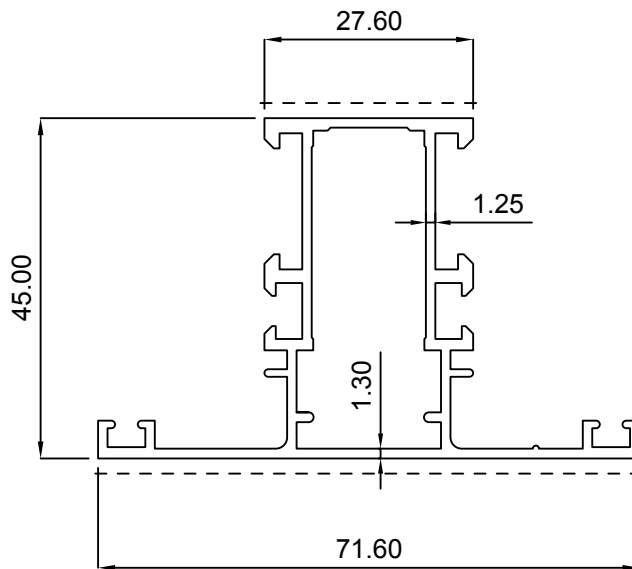


**20009**  
(1.068 Kg/m)

# Casement N45 - T Section

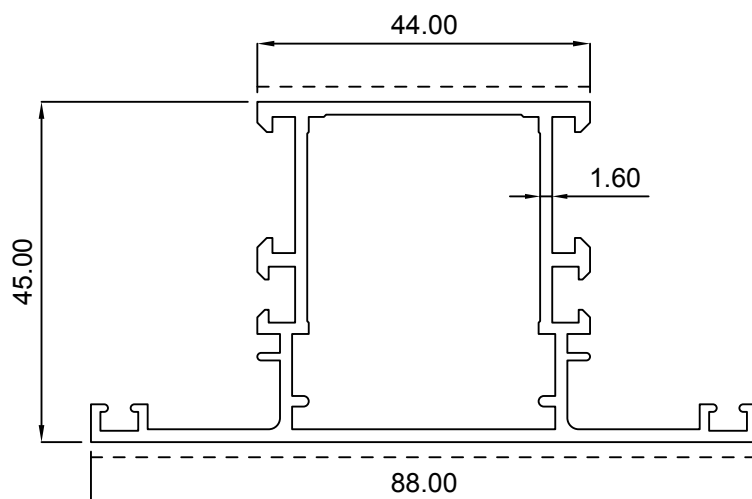


**21179**  
(1.006 Kg/m)

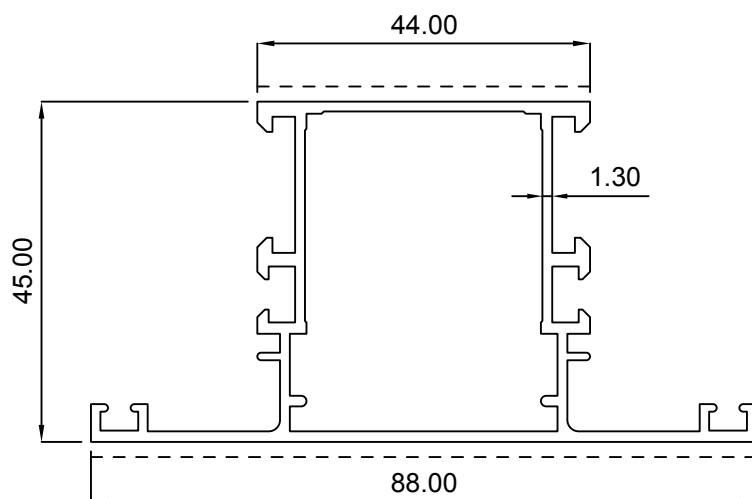


**60048**  
(0.905 Kg/m)

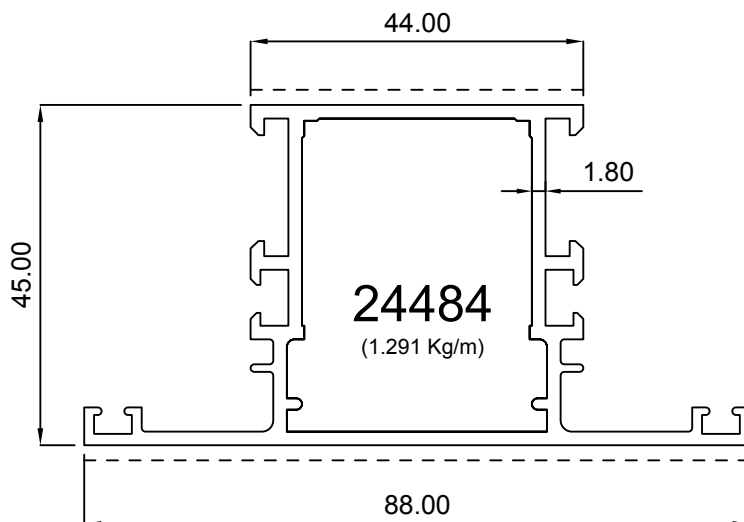
# Casement N45 - T Section



**22409**  
(1.210 Kg/m)

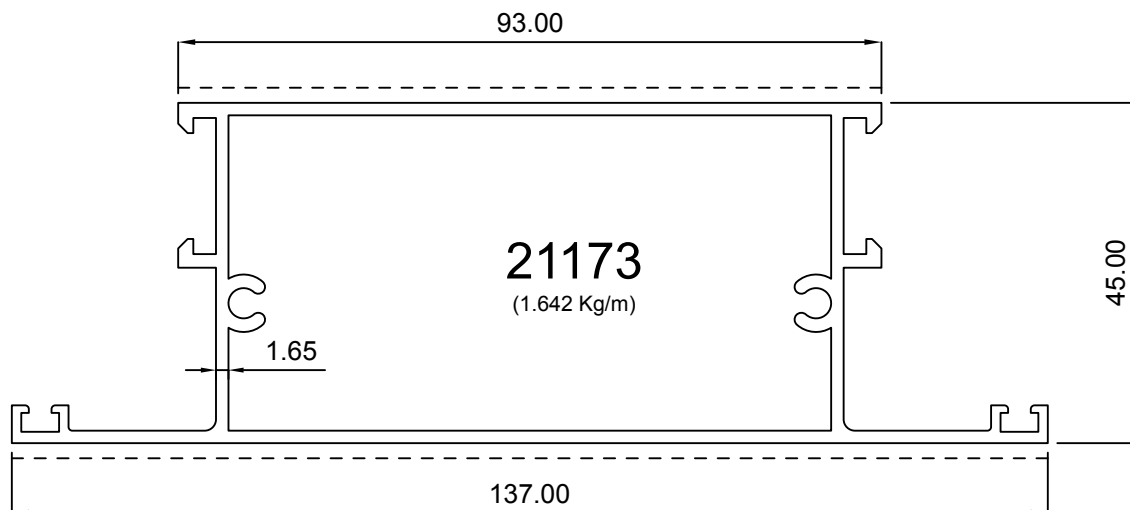
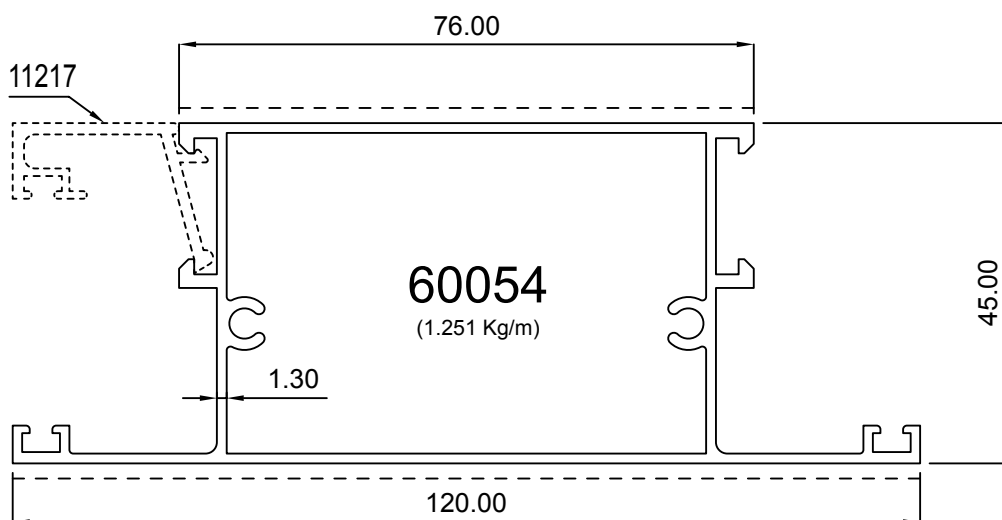
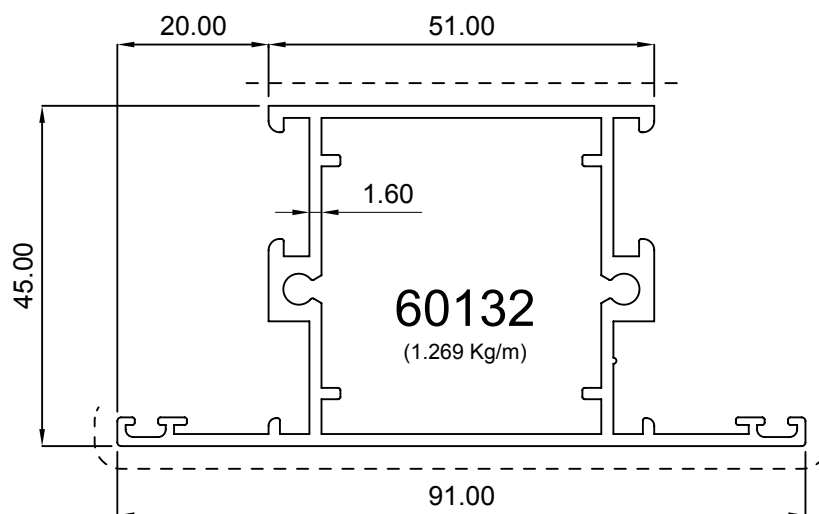


**60049**  
(1.052 Kg/m)

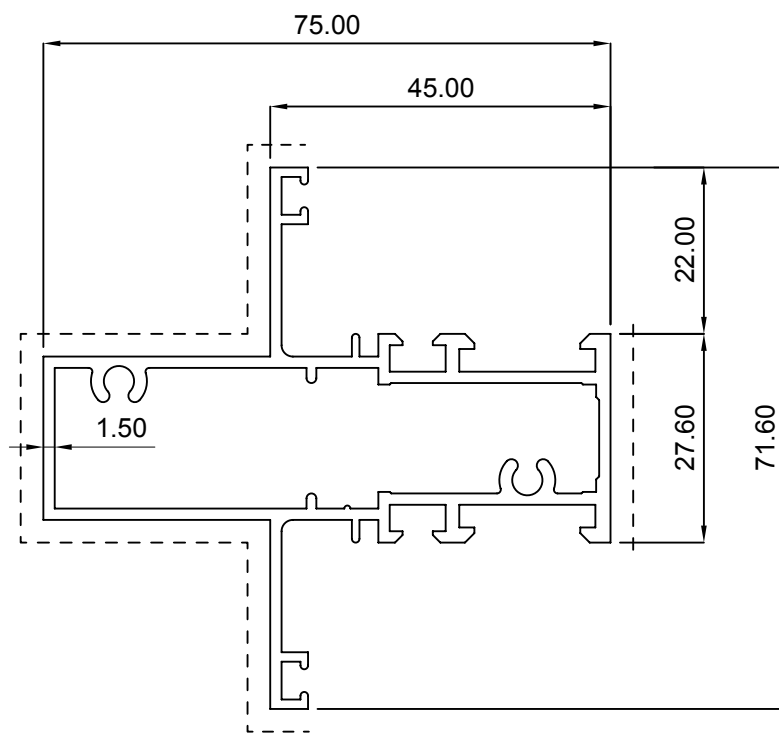


**24484**  
(1.291 Kg/m)

# Casement N45 - T Section

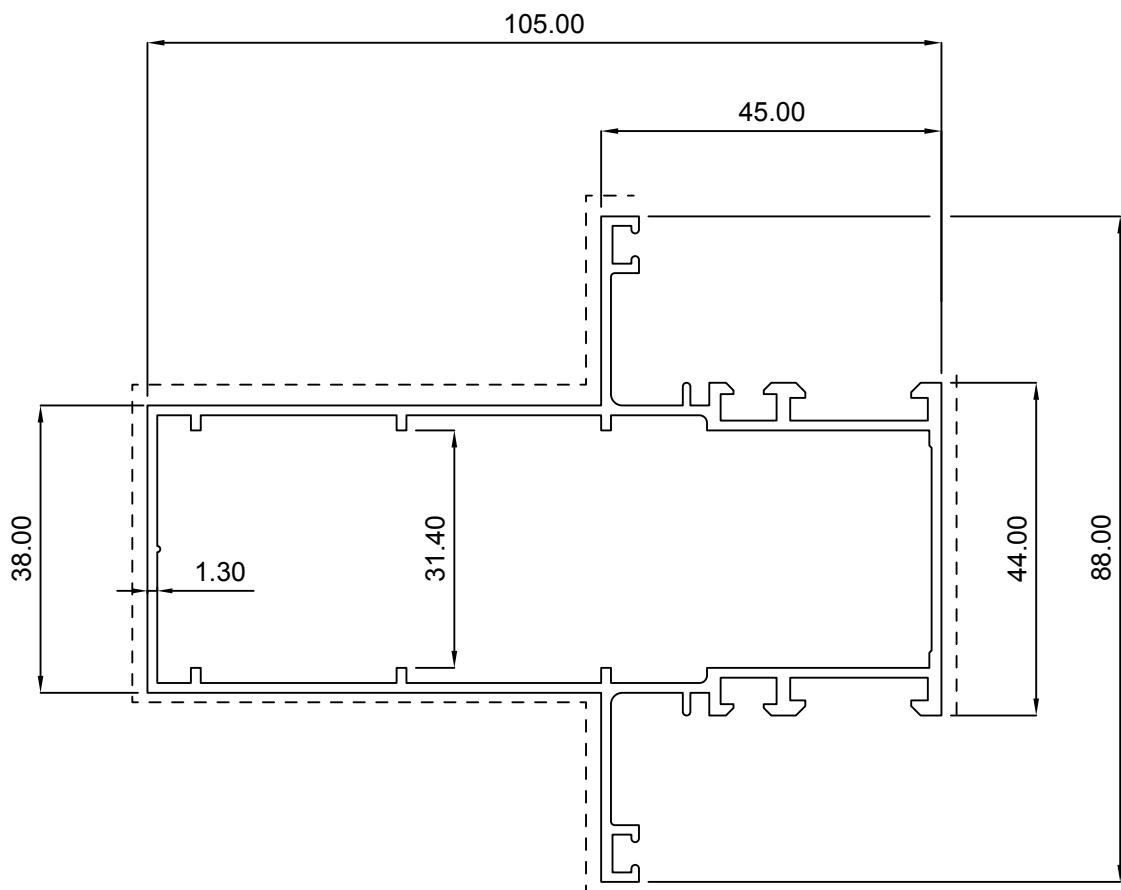


# Casement N45 - T Section



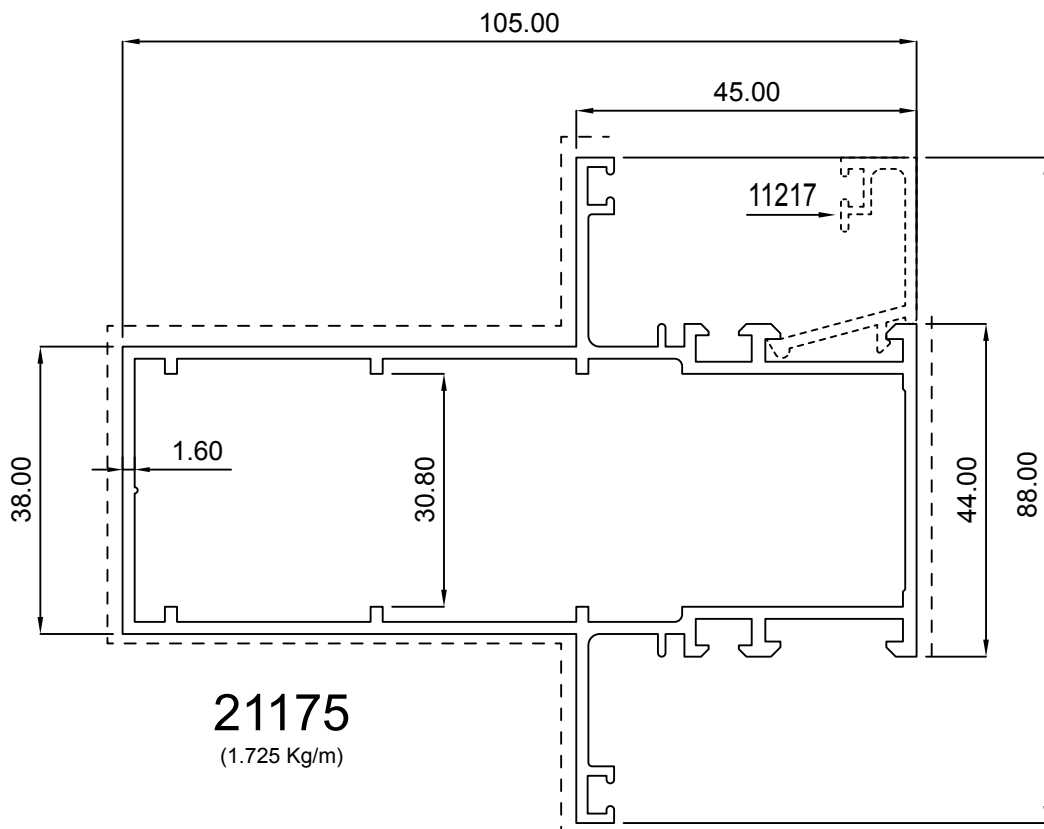
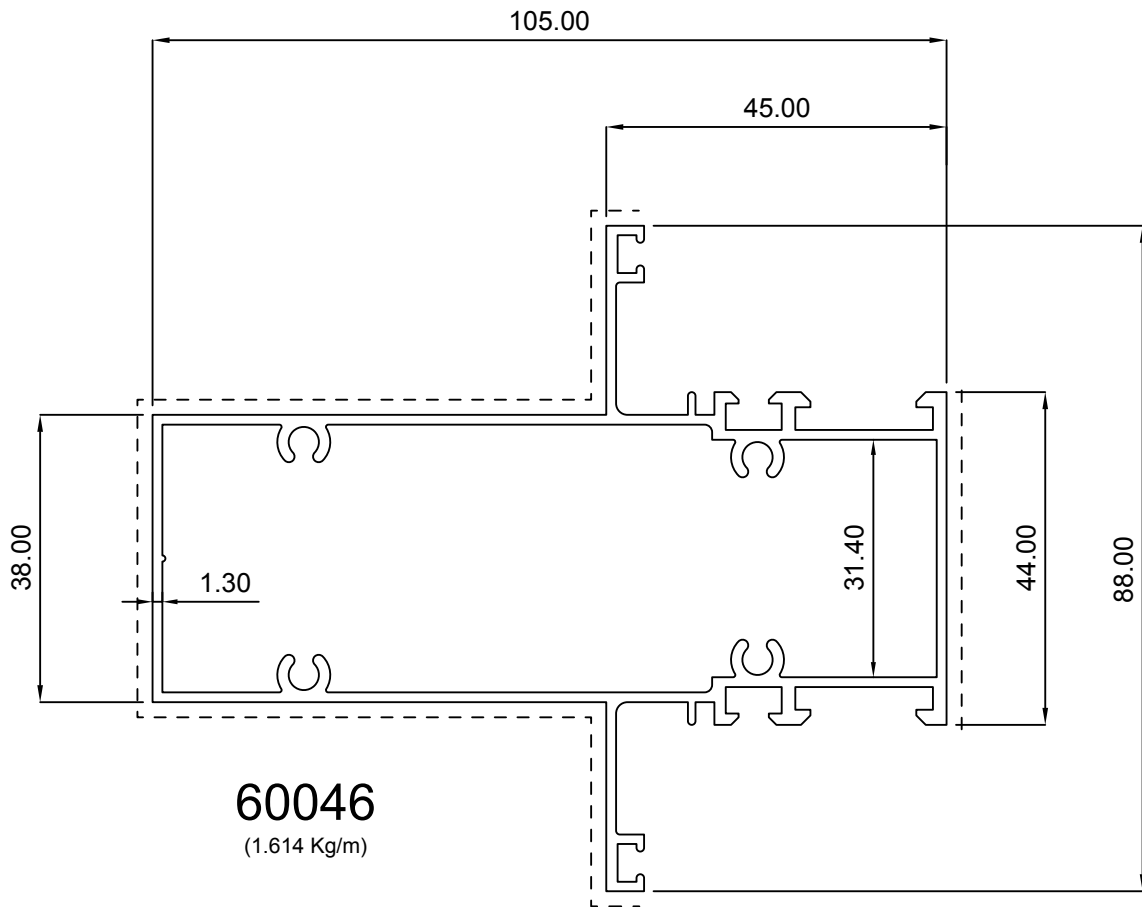
**60154**  
(1.327 Kg/m)

# Casement N45 - T Section

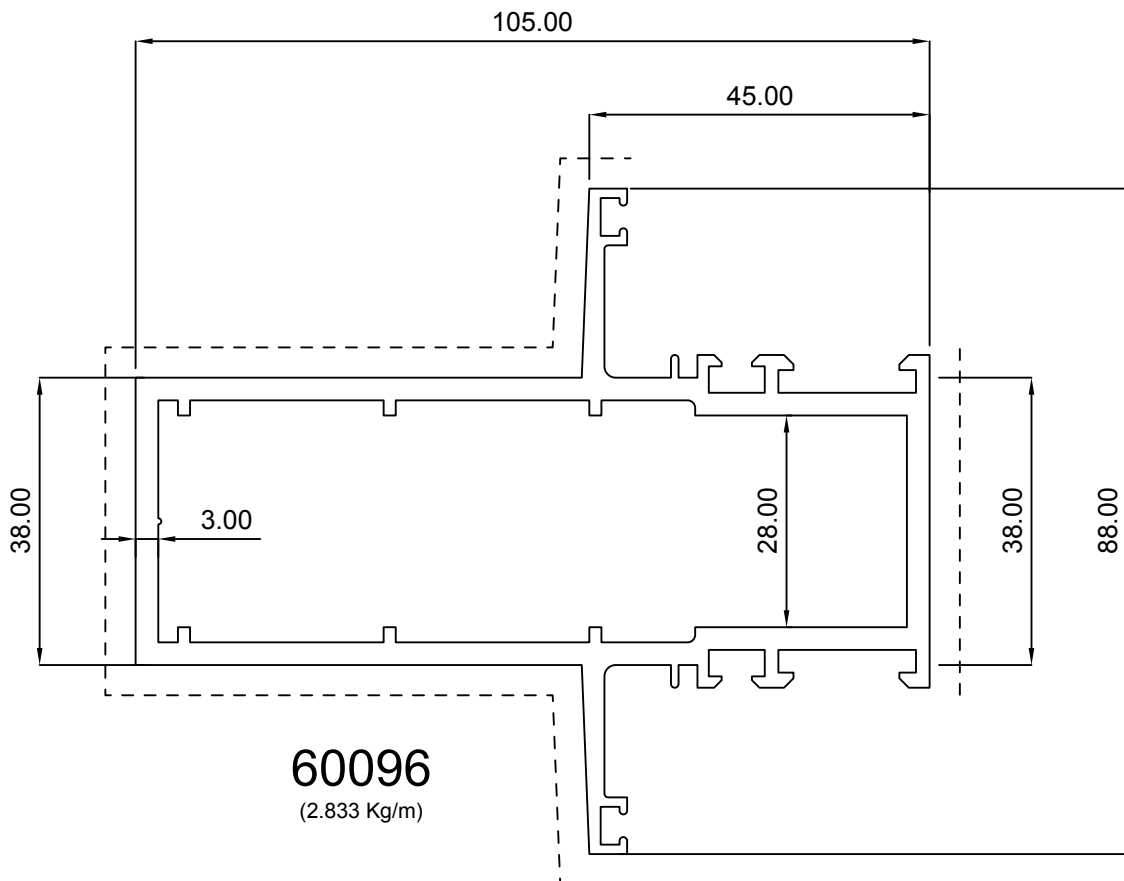
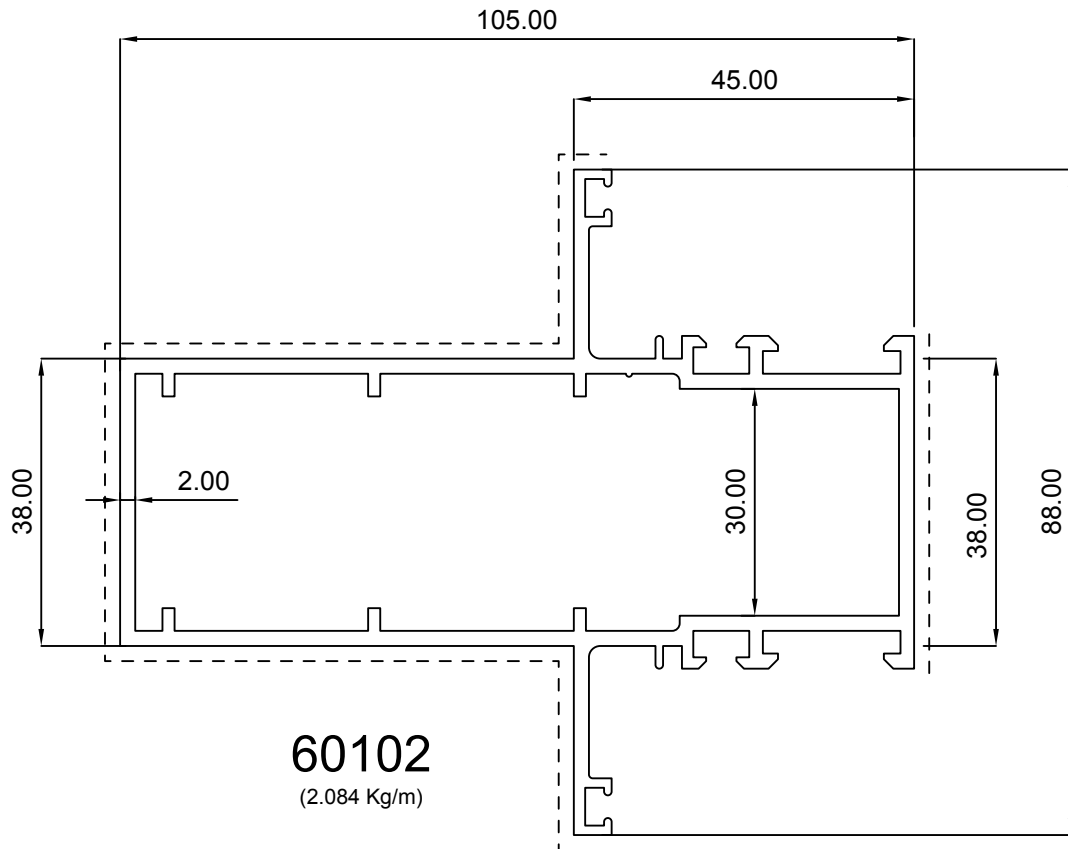


**60045**  
(1.480 Kg/m)

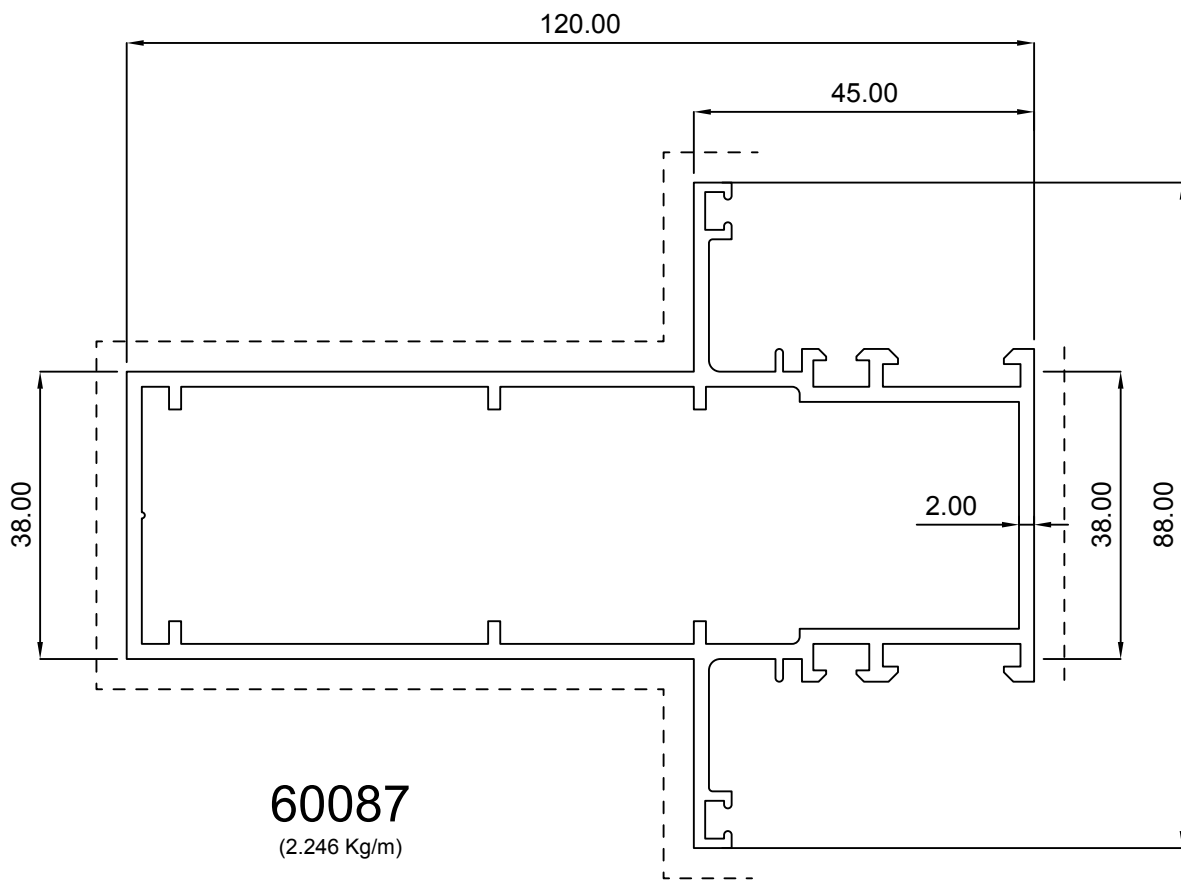
# Casement N45 - T Section



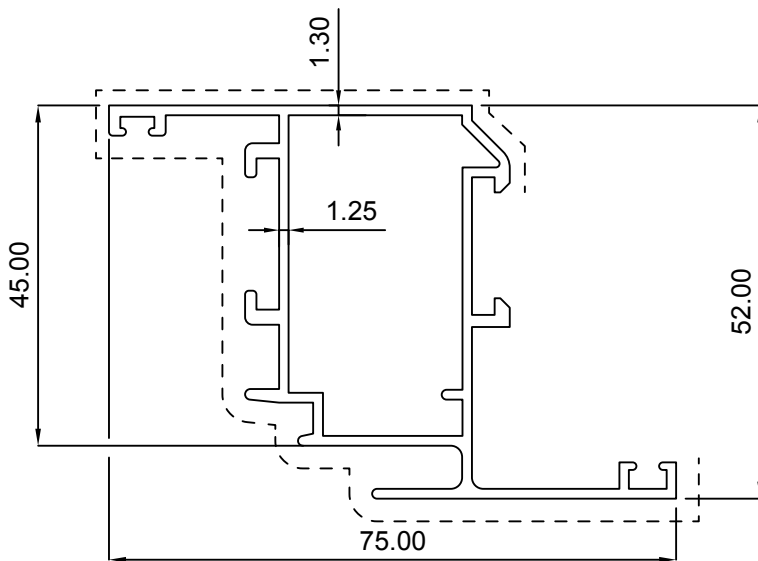
# Casement N45 - T Section



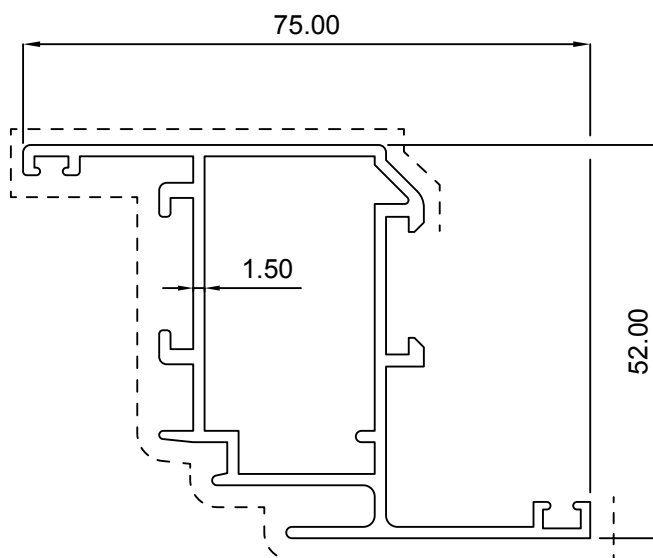
# Casement N45 - T Section



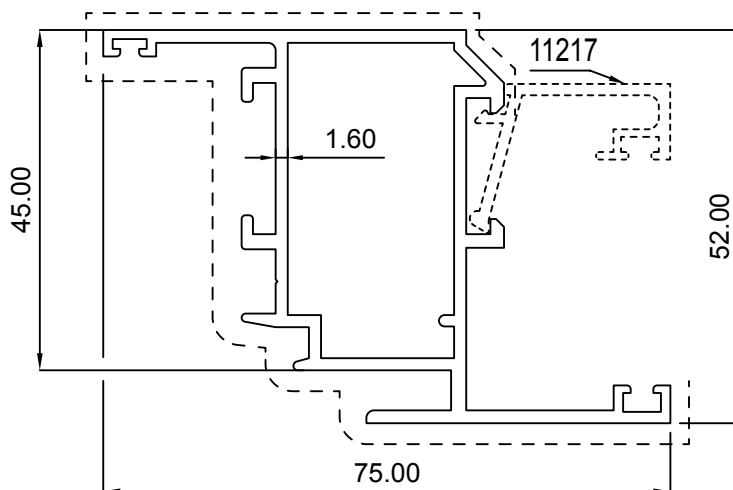
# Casement N45 - Z Section



**60050**  
(0.932 Kg/m)

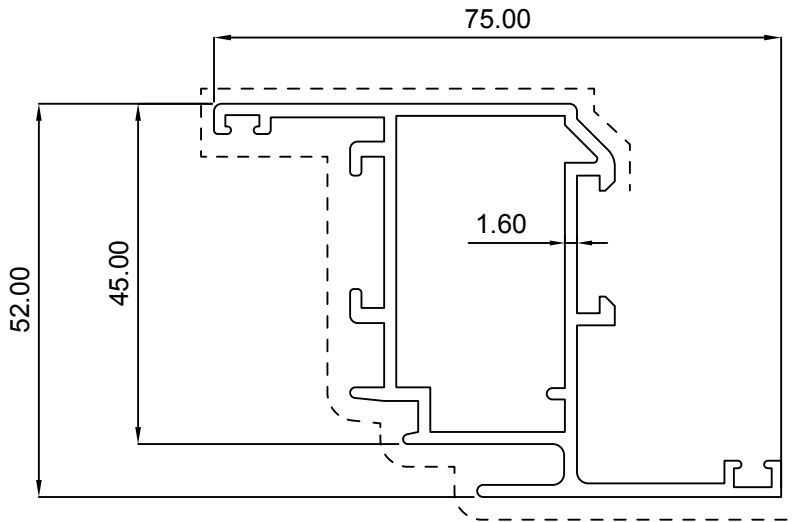


**21946**  
(1.043 Kg/m)

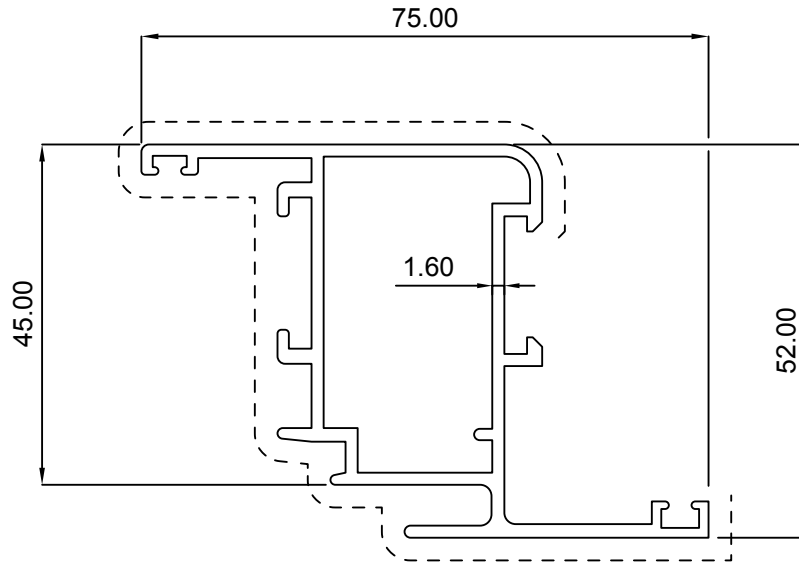


**24487**  
(1.109 Kg/m)

# Casement N45 - Z Section

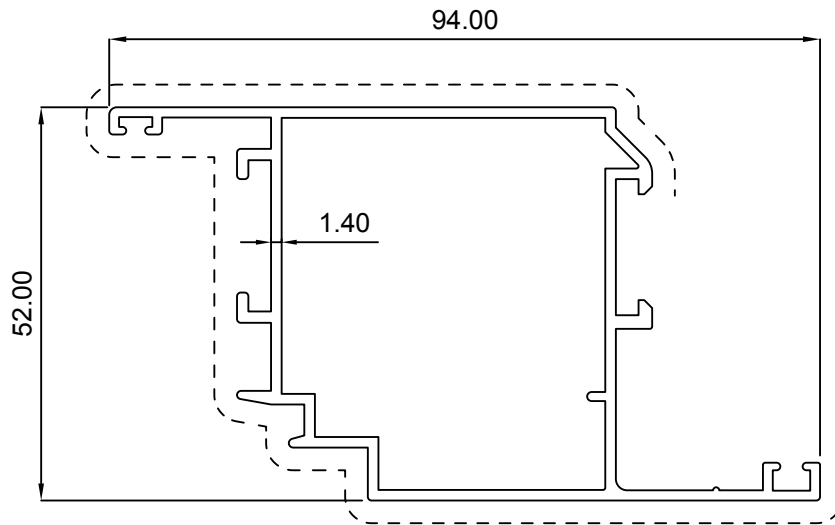


**21178**  
(1.120 Kg/m)

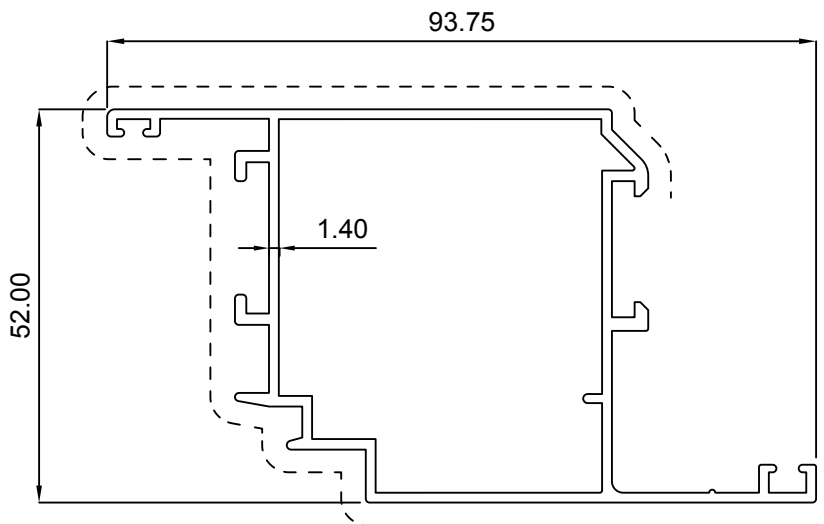


**22014**  
(1.123 Kg/m)

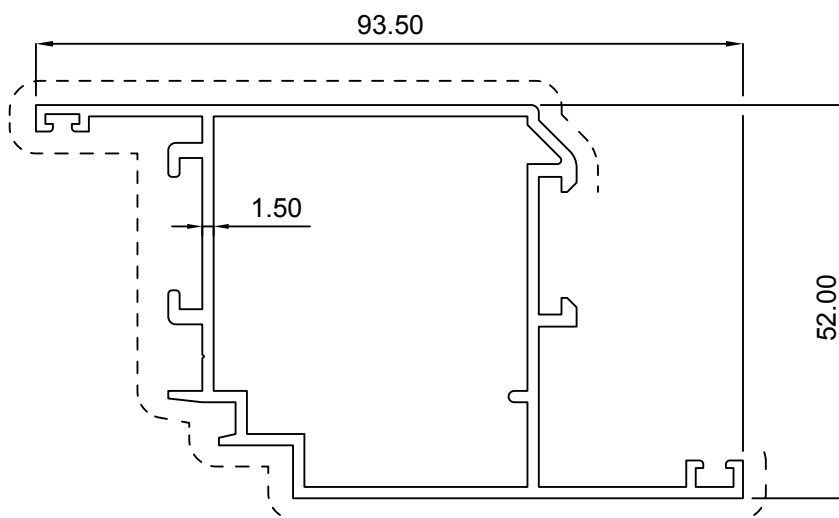
# Casement N45 - Z Section



**60020**  
(1.090 Kg/m)

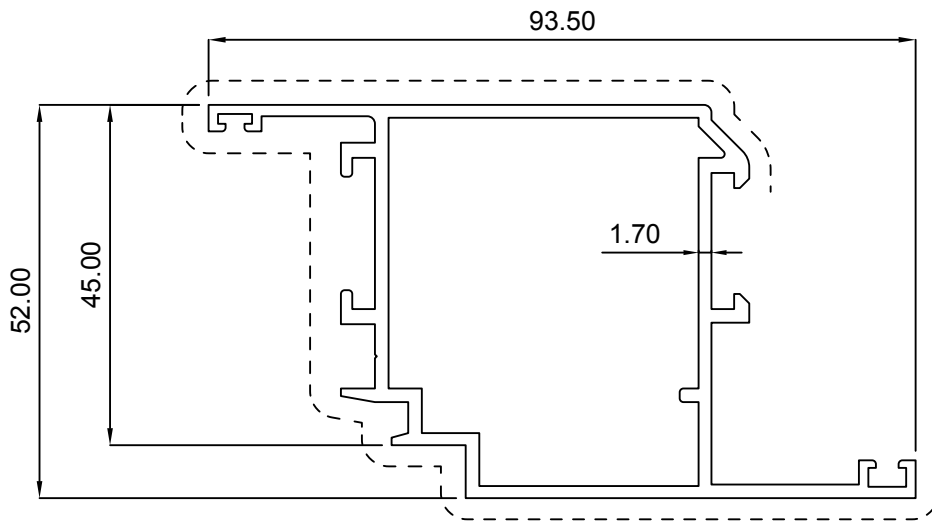


**60051**  
(1.043 Kg/m)

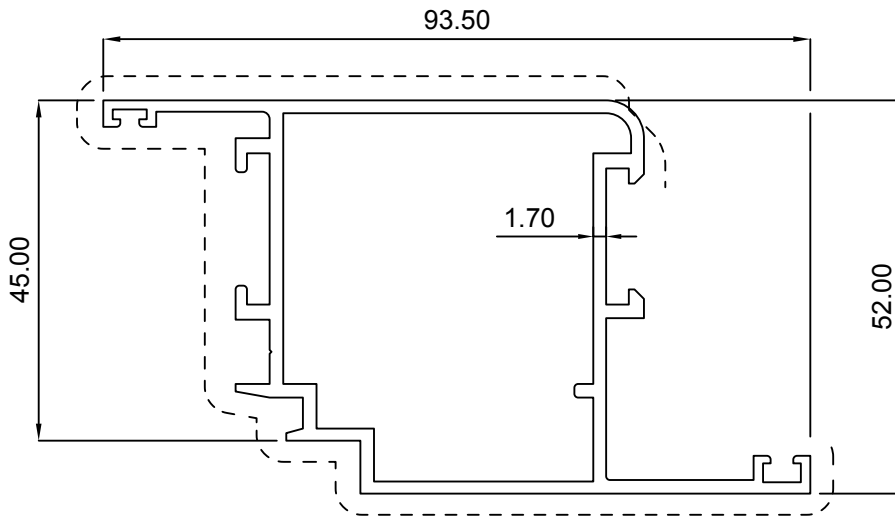


**21947**  
(1.170 Kg/m)

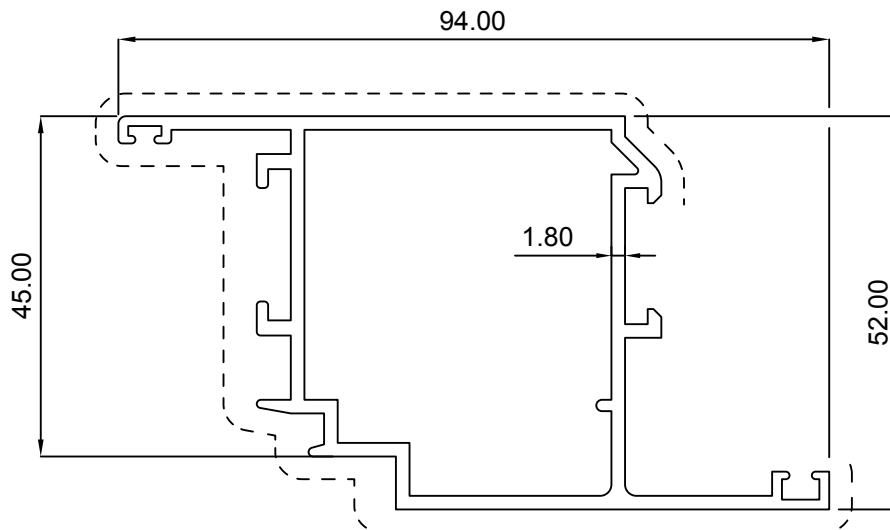
# Casement N45 - Z Section



**21180**  
(1.301 Kg/m)

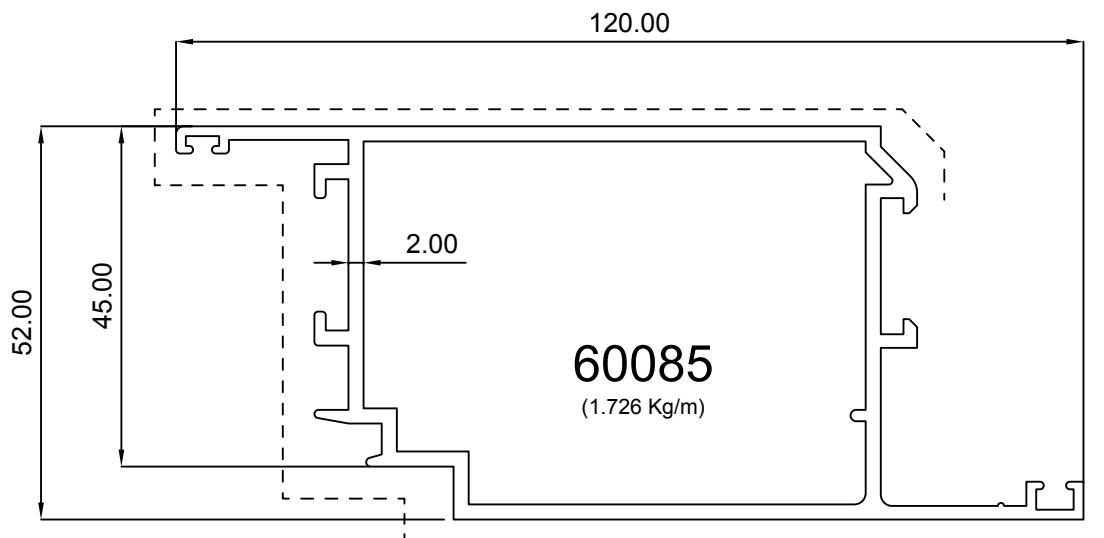
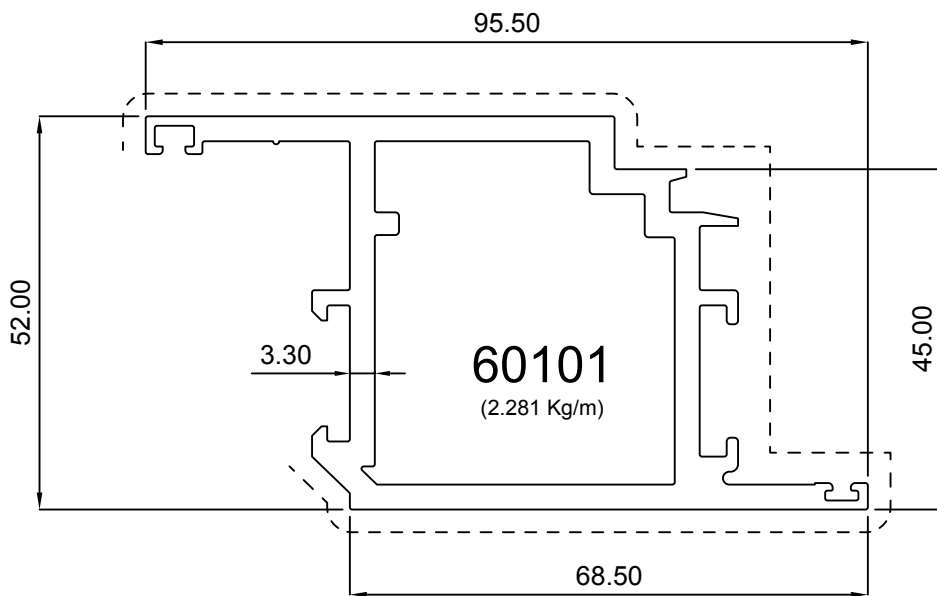
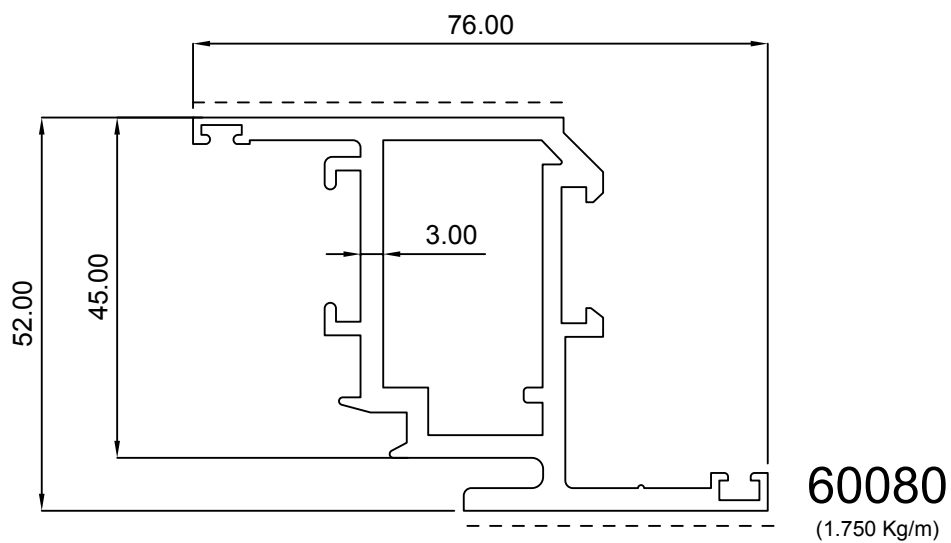


**22013**  
(1.306 Kg/m)

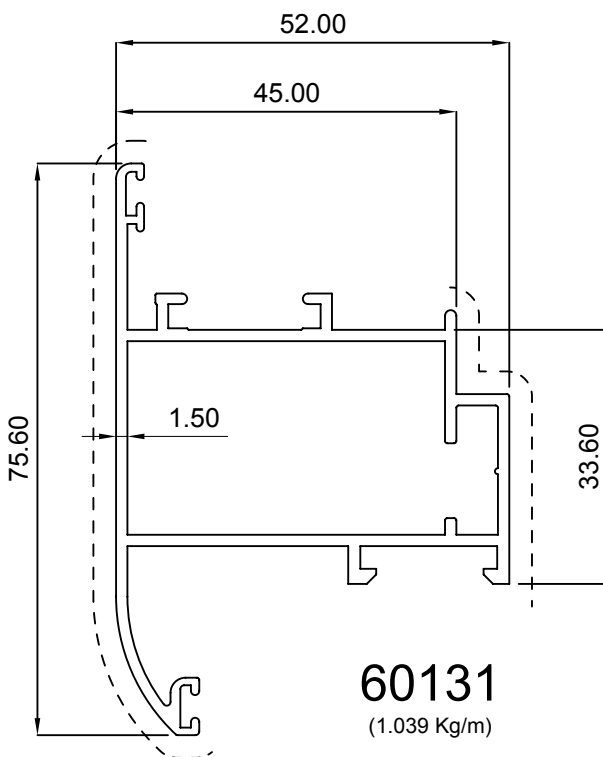
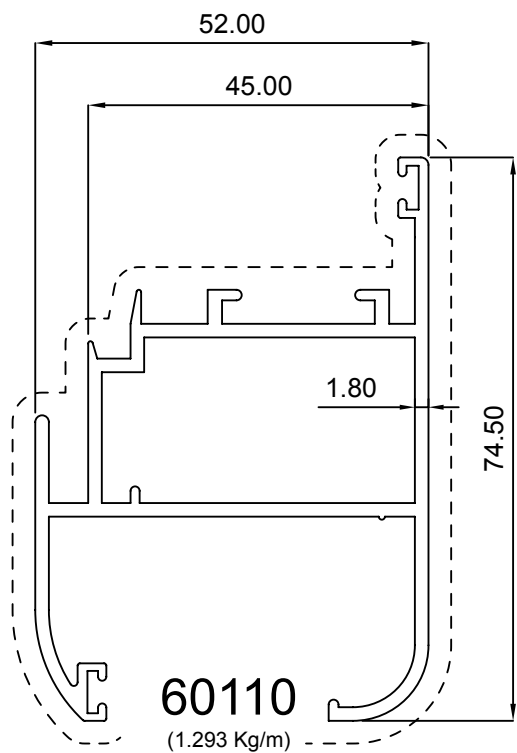
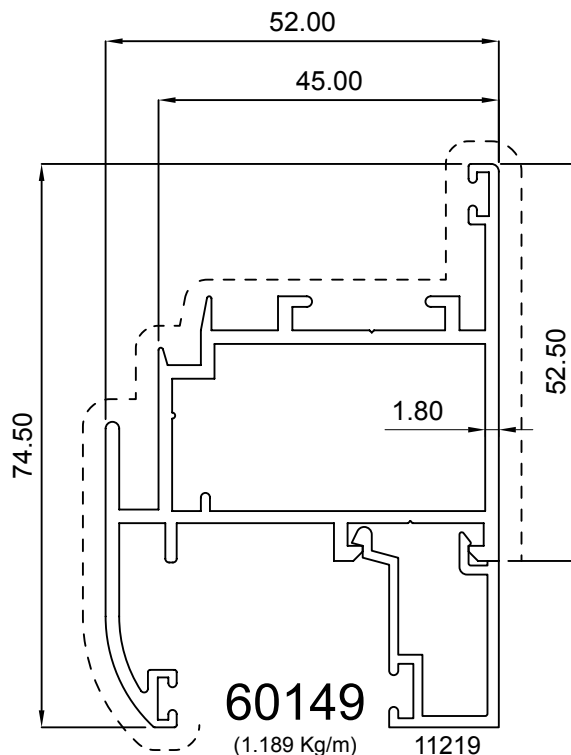
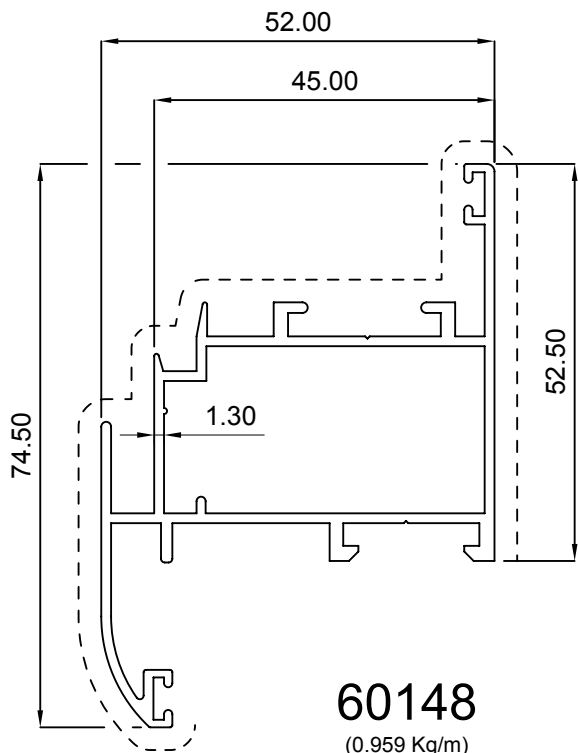


**24486**  
(1.348 Kg/m)

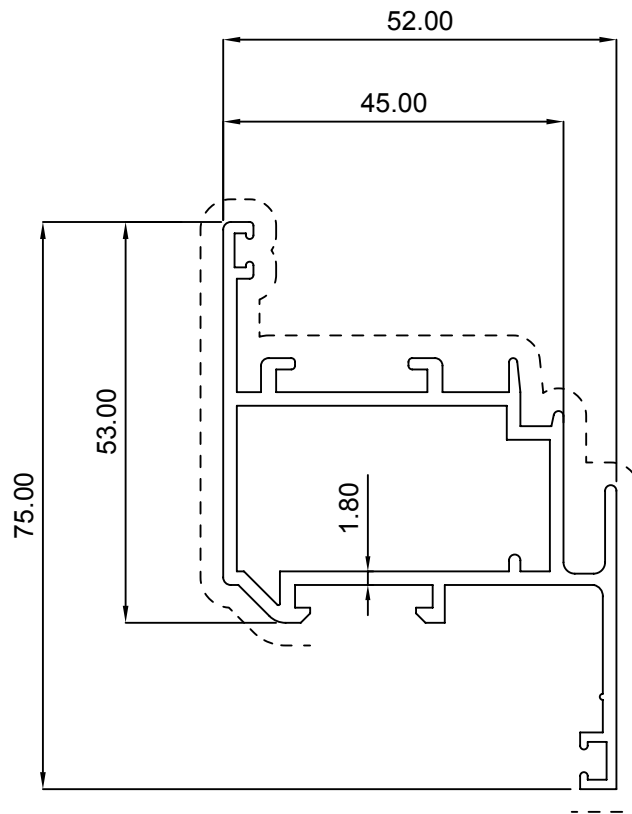
# Casement N45 - Z Section



# Casement N45 - Z Section

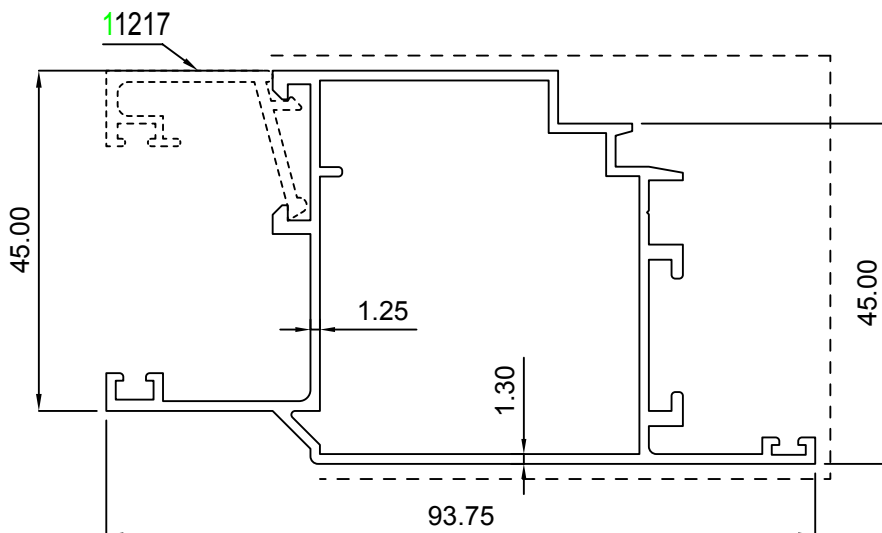


# Casement N45 - Z Section

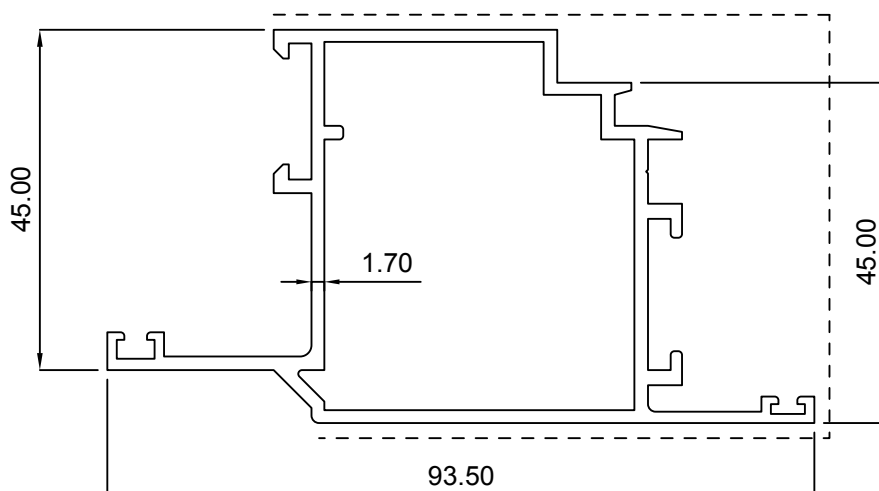


**60124**  
(1.179 Kg/m)

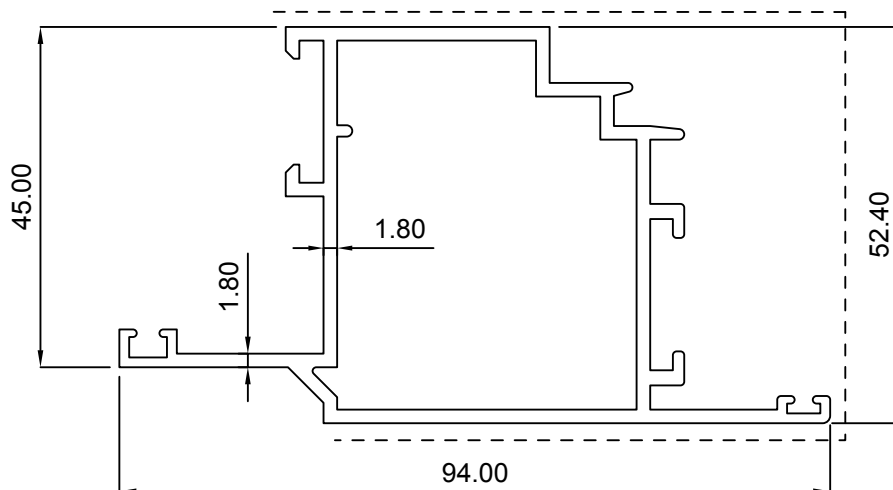
# Casement N45 -T Section



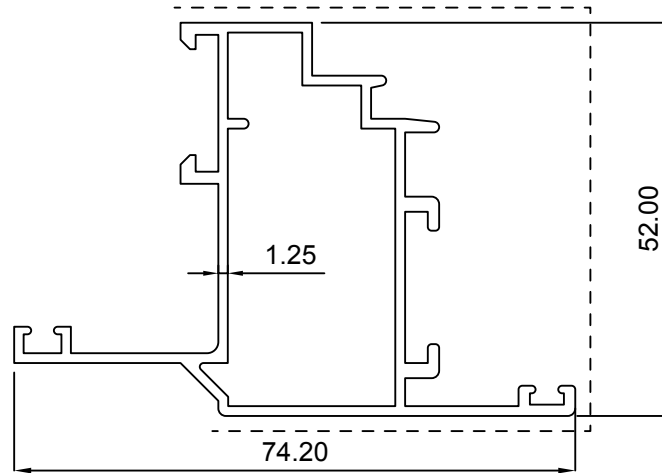
**60052**  
(1.047 Kg/m)



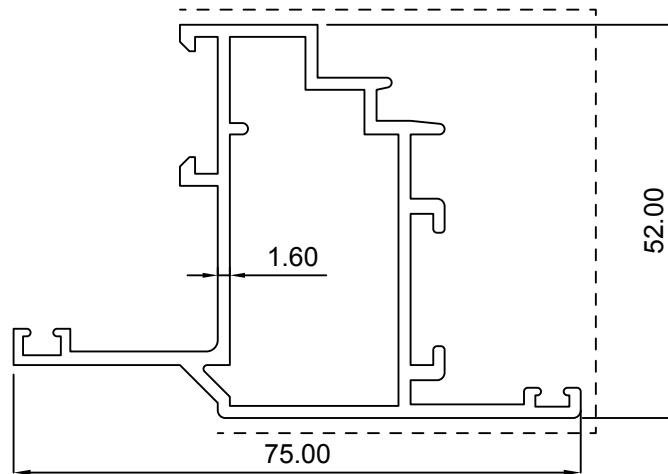
**21865**  
(1.300 Kg/m)



**24488**  
(1.354 Kg/m)

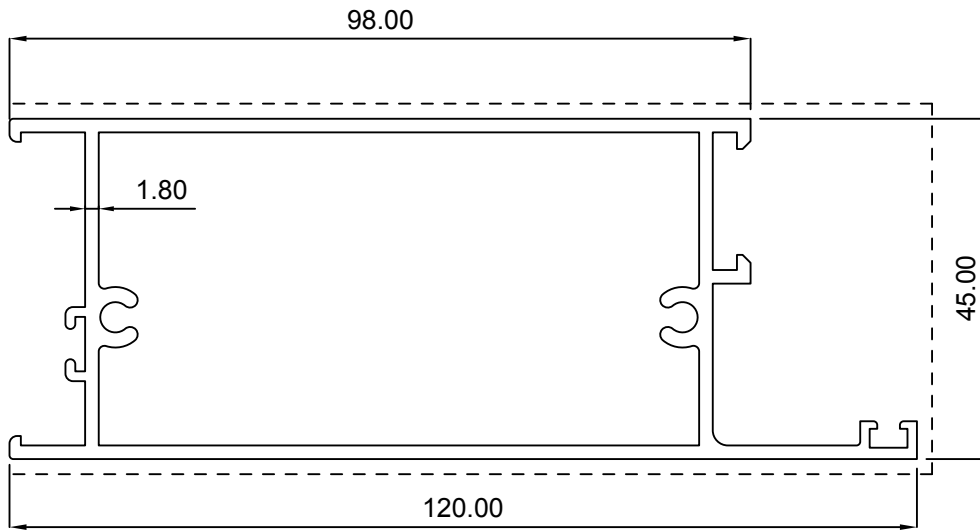


**60053**  
(0.916 Kg/m)

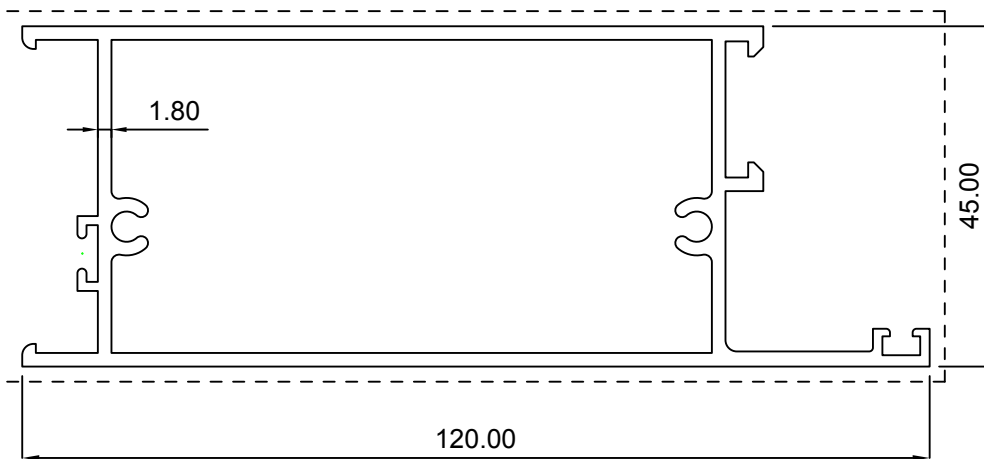


**21924**  
(1.095 Kg/m)

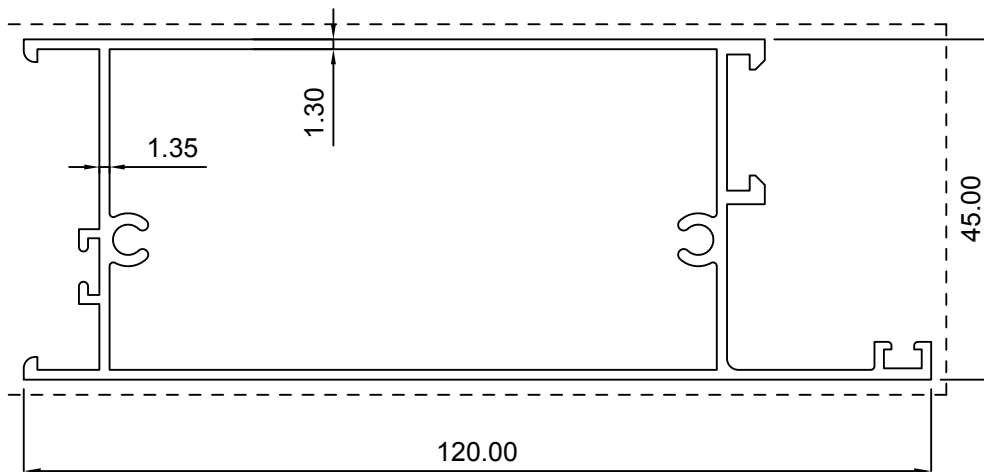
# Casement N45 - Frames



**24492**  
(1.687 Kg/m)

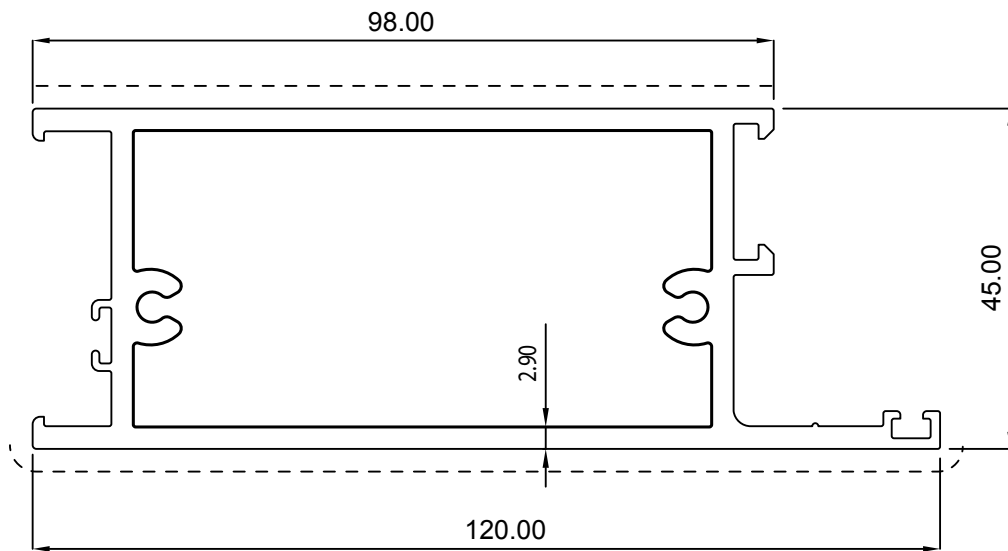


**21181**  
(1.682 Kg/m)

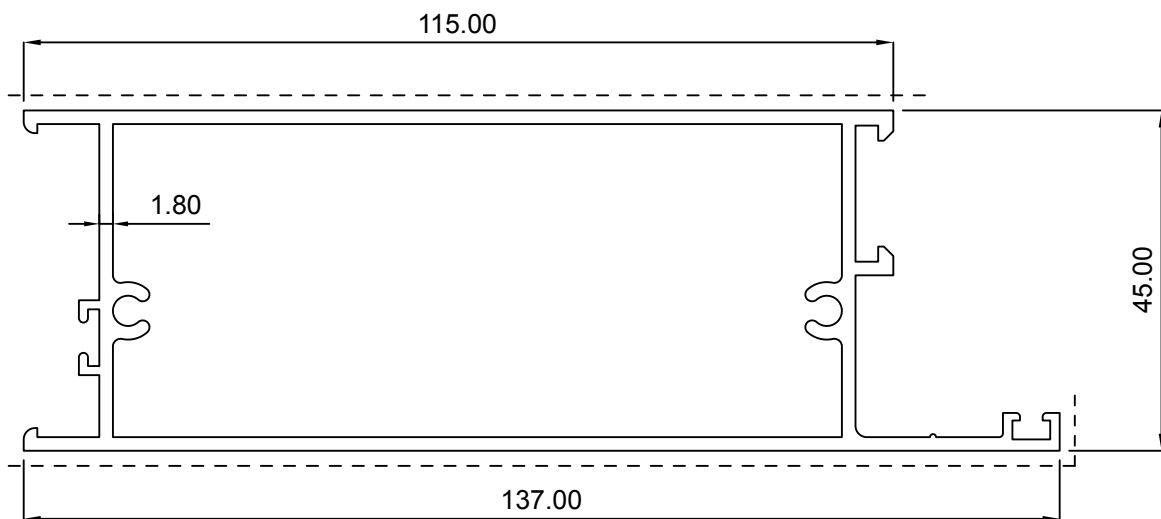


**60055**  
(1.300 Kg/m)

## Casement N45 - Bottom Profile

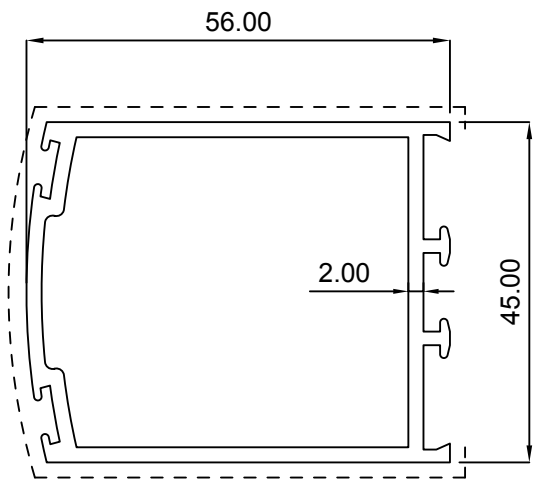


**60100**  
(2.608 Kg/m)

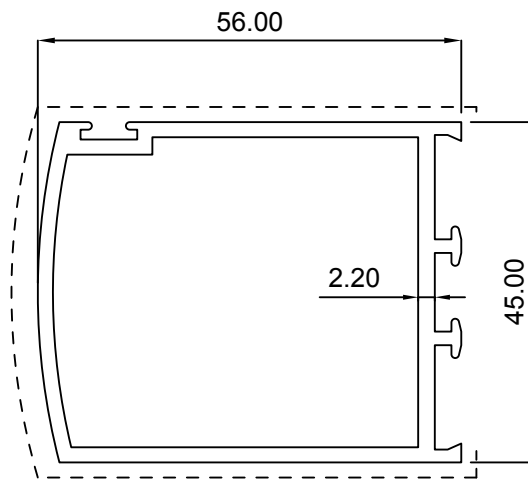


**26434**  
(1.837 Kg/m)

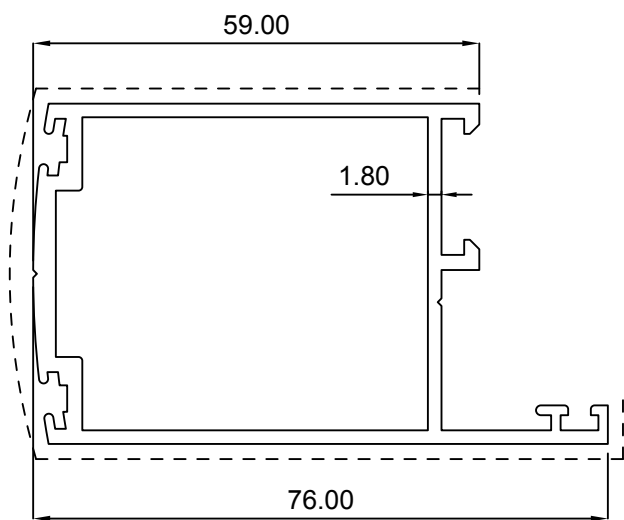
# Casement N45 - Swing Profile



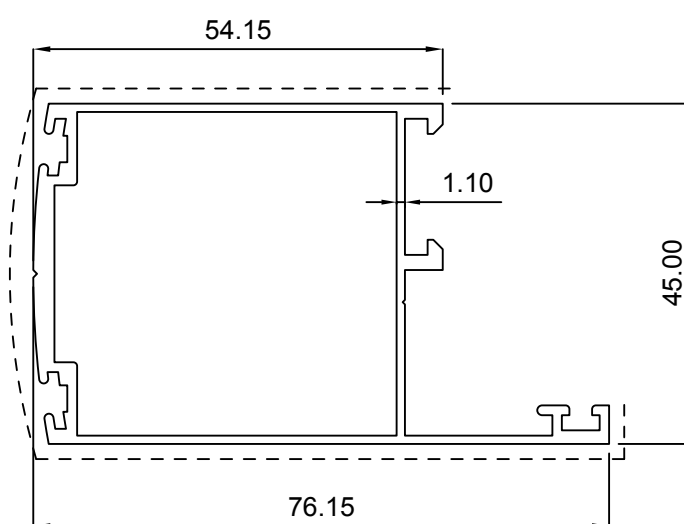
**20901**  
(1.127 Kg/m)



**20894**  
(1.124 Kg/m)

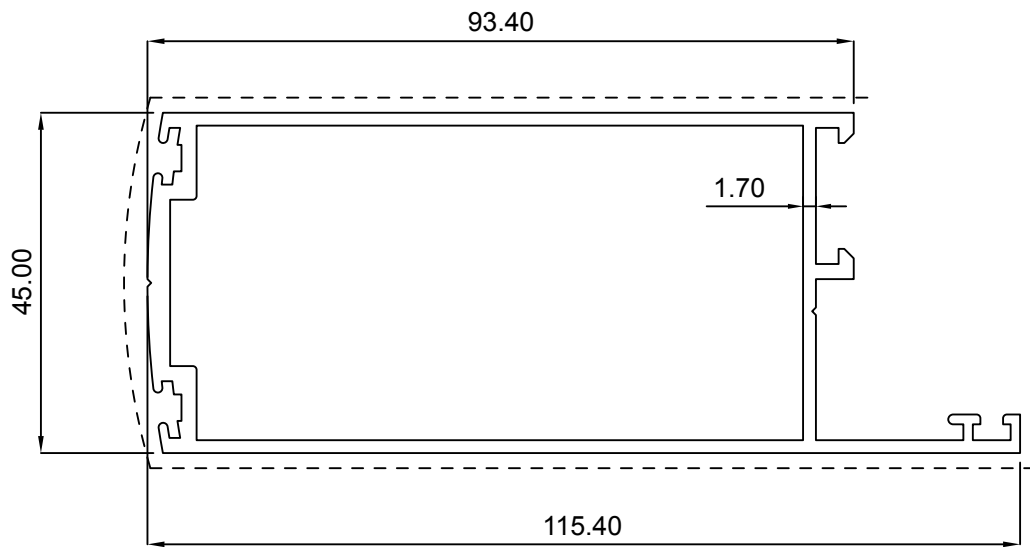


**21177**  
(1.275 Kg/m)

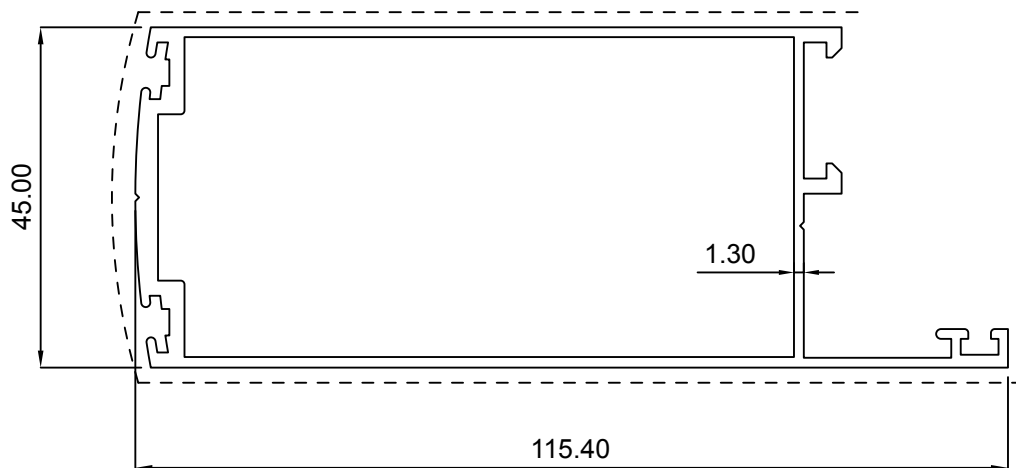


**60056\***  
(0.918 Kg/m)

# Casement N45 - Swing Profile

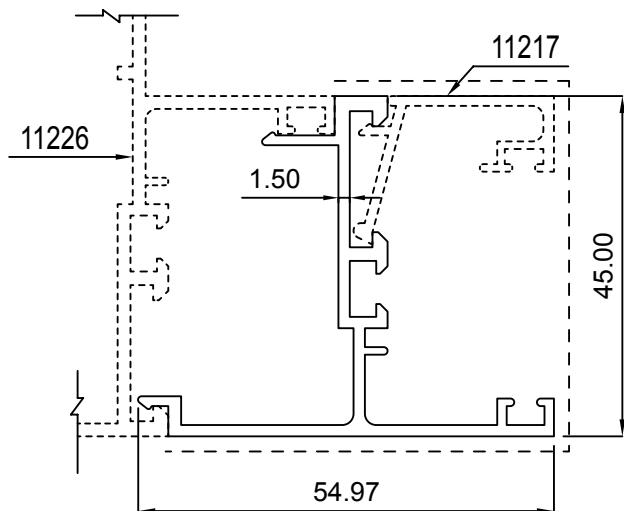


**22012**  
(1.715 Kg/m)

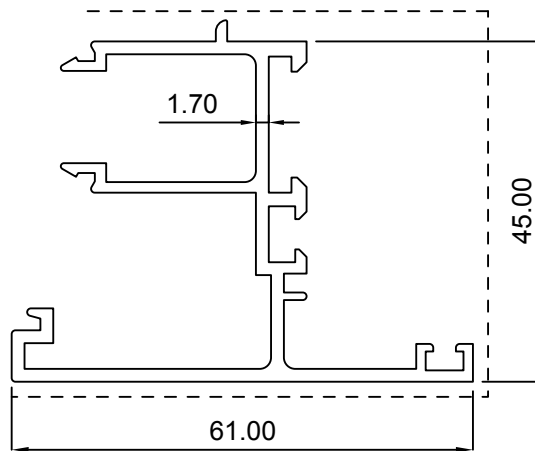


**60057**  
(1.355 Kg/m)

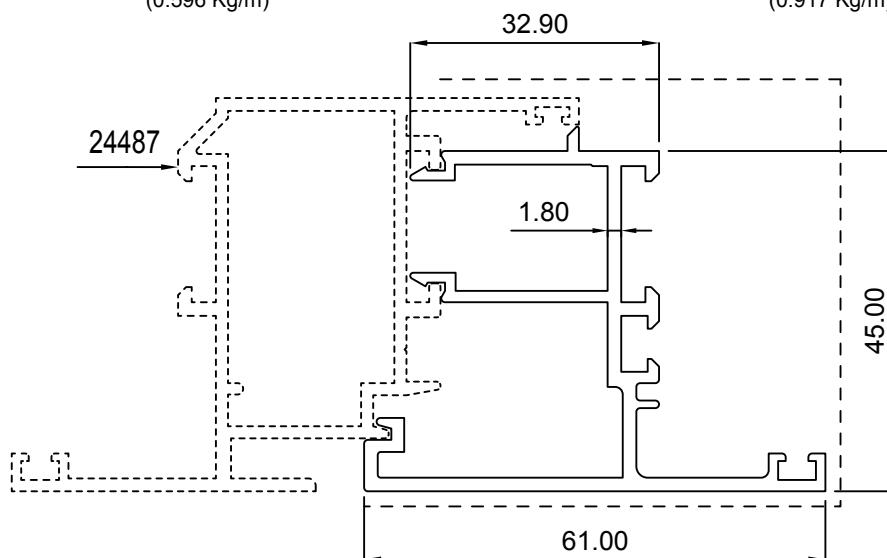
# Casement N45 - Complimentary Profile



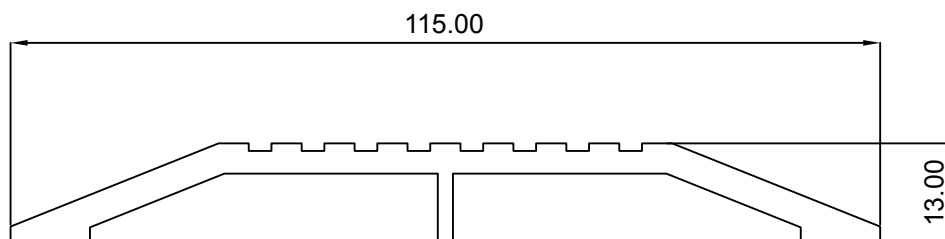
**12165**  
(0.596 Kg/m)



**11223**  
(0.917 Kg/m)

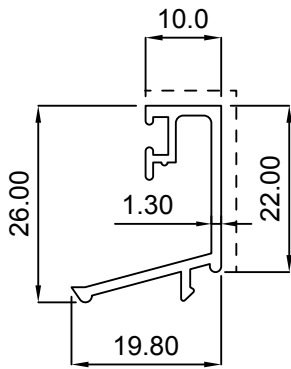


**14364**  
(0.954 Kg/m)

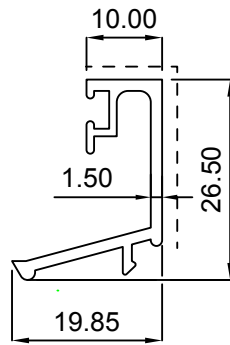


**10139**  
(1.275 Kg/m)

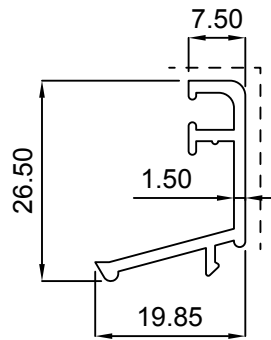
# Casement N45 - Glazing Beads



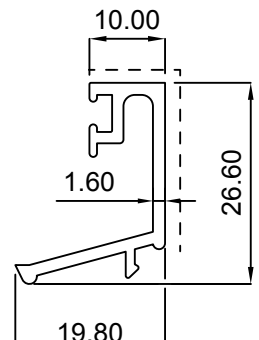
**65012**  
(0.228 Kg/m)



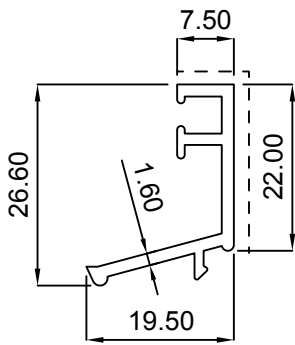
**11217**  
(0.251 Kg/m)



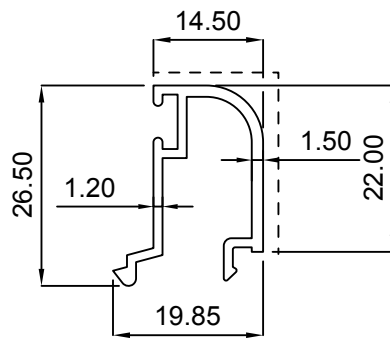
**14970**  
(0.240 Kg/m)



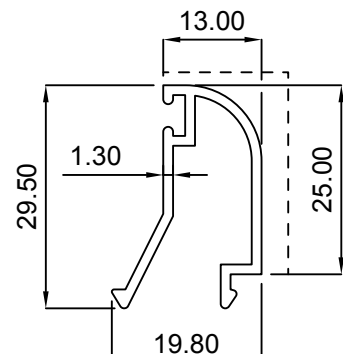
**14367**  
(0.275 Kg/m)



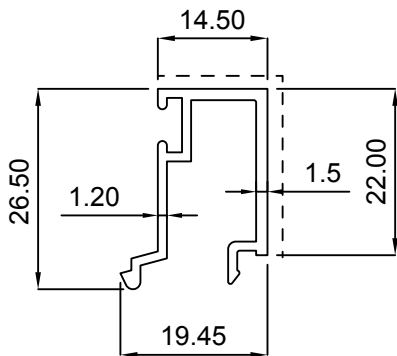
**14366**  
(0.248 Kg/m)



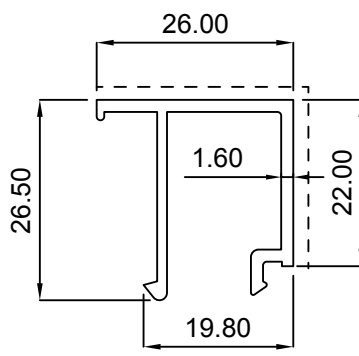
**12214**  
(0.269 Kg/m)



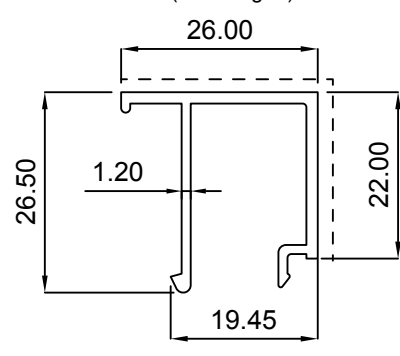
**11975**  
(0.273 Kg/m)



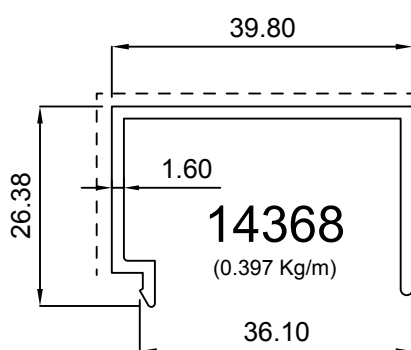
**11219**  
(0.280 Kg/m)



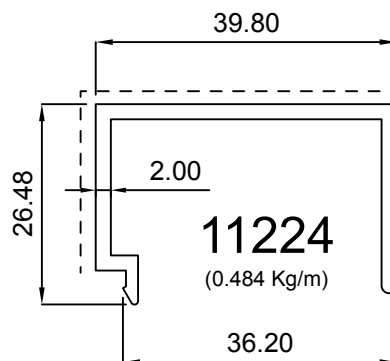
**14369**  
(0.332 Kg/m)



**11218**  
(0.303 Kg/m)

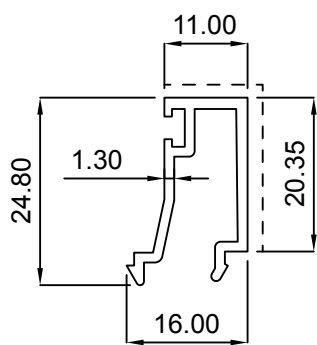


**14368**  
(0.397 Kg/m)

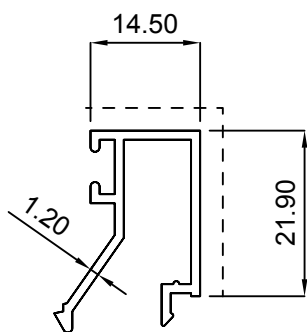


**11224**  
(0.484 Kg/m)

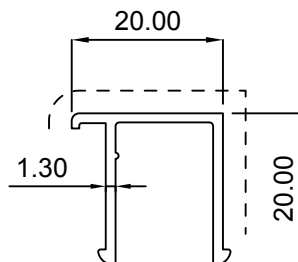
# Casement N45 - Glazing Beads



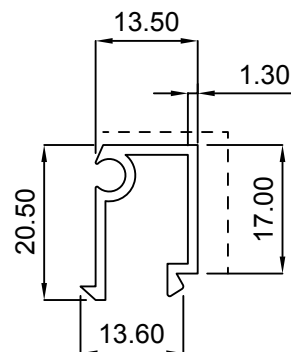
**10971**  
(0.246 Kg/m)



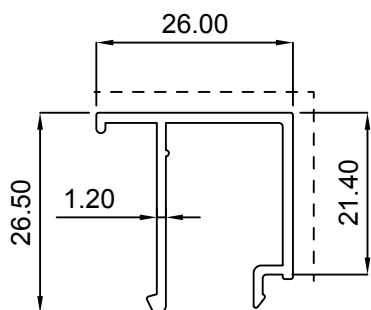
**65032**  
(0.255 Kg/m)



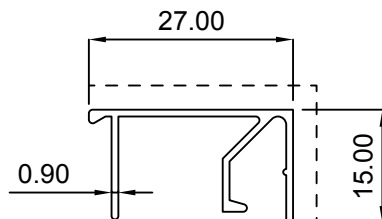
**65037**  
(0.207 Kg/m)



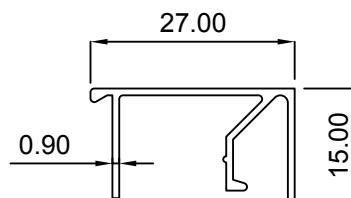
**10806**  
(0.211 Kg/m)



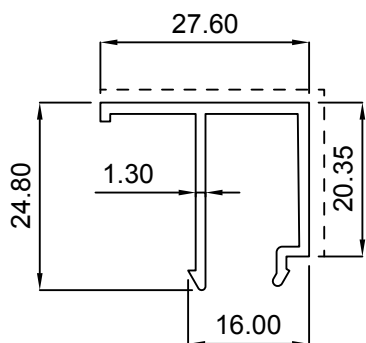
**65011**  
(0.287 Kg/m)



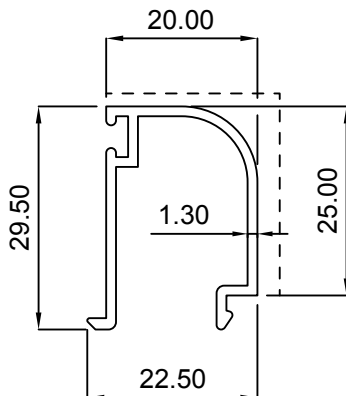
**65026**  
(0.181 Kg/m)



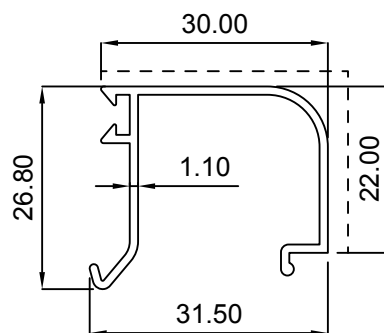
**65017**  
(0.180 Kg/m)



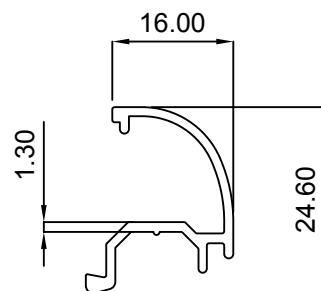
**10972**  
(0.294 Kg/m)



**11976**  
(0.295 Kg/m)

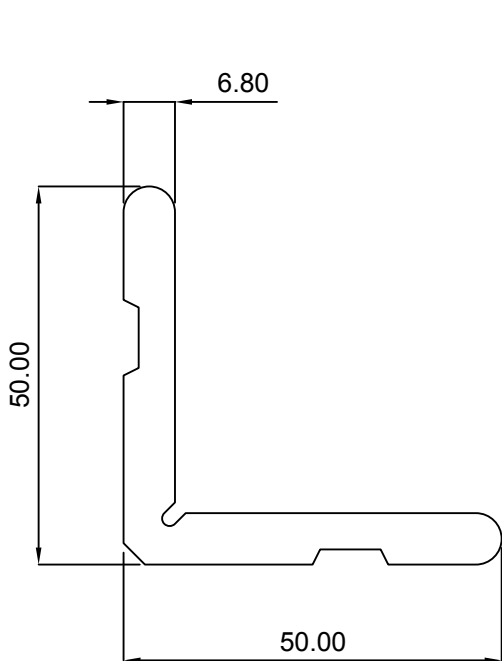


**12592**  
(0.272 Kg/m)

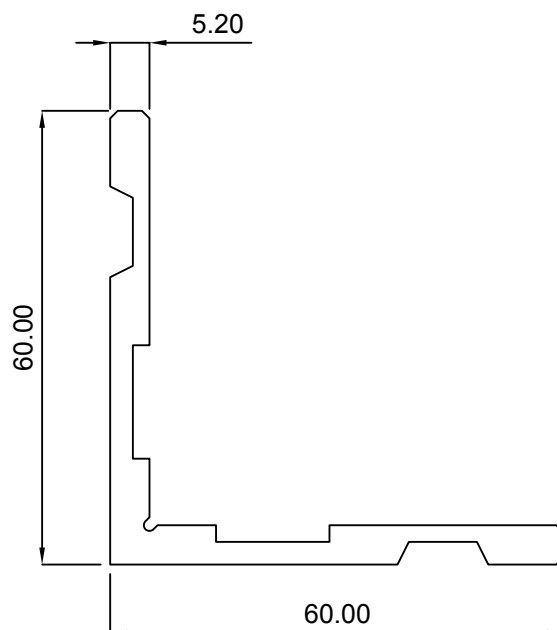


**65040**  
(0.207 Kg/m)

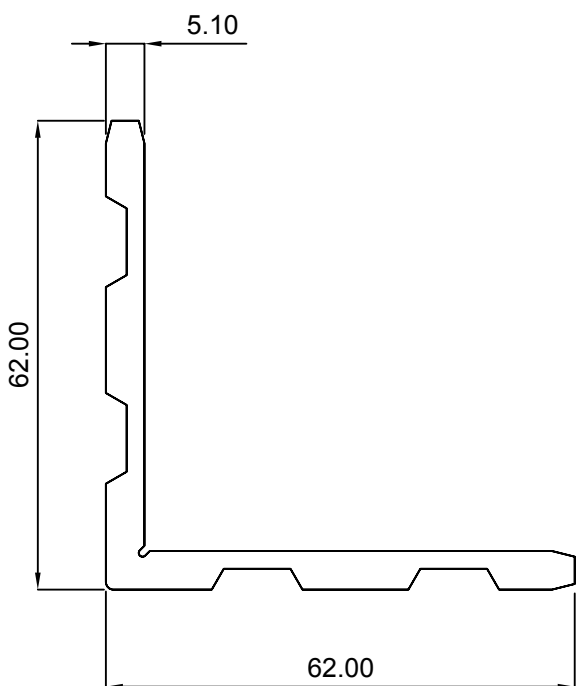
# Casement N45 - Corner Cleats



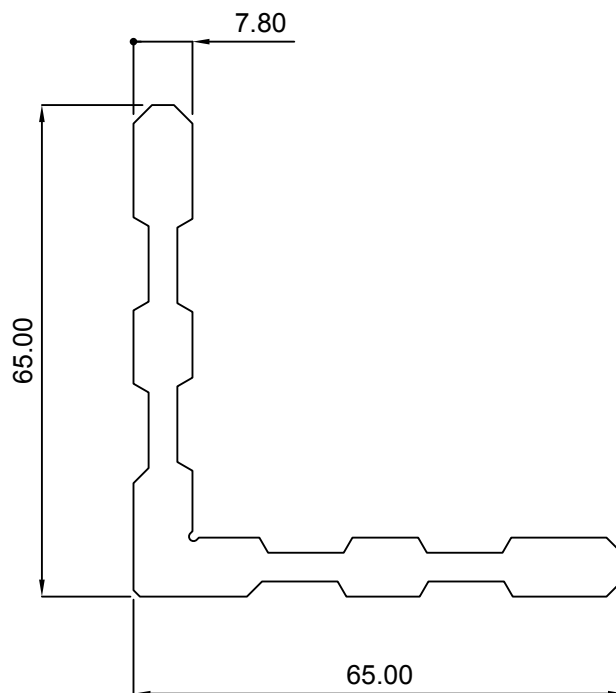
**10751**  
(1.584 Kg/m)



**11051**  
(1.254 Kg/m)

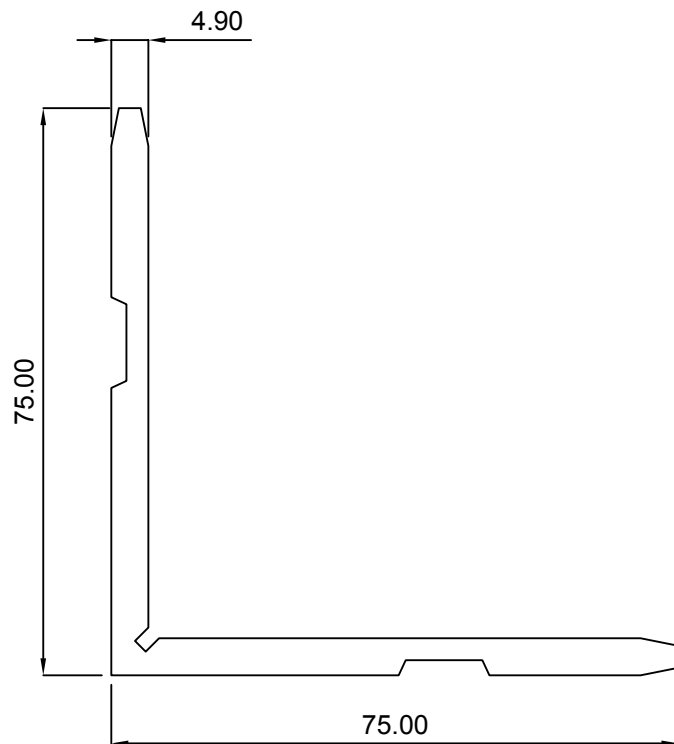


**14372**  
(1.313 Kg/m)

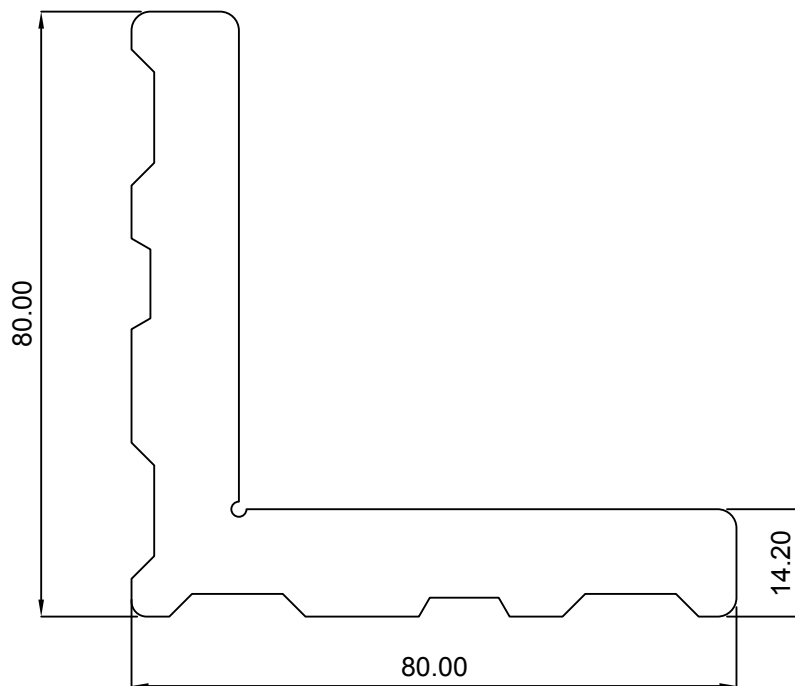


**10288**  
(1.945 Kg/m)

## Casement N45 - Corner Cleats

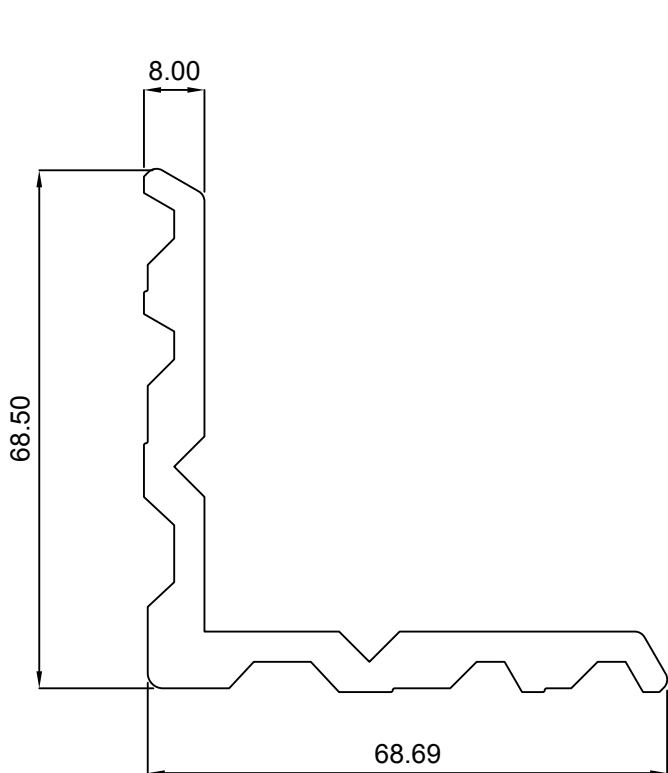


**11745**  
(1.762 Kg/m)

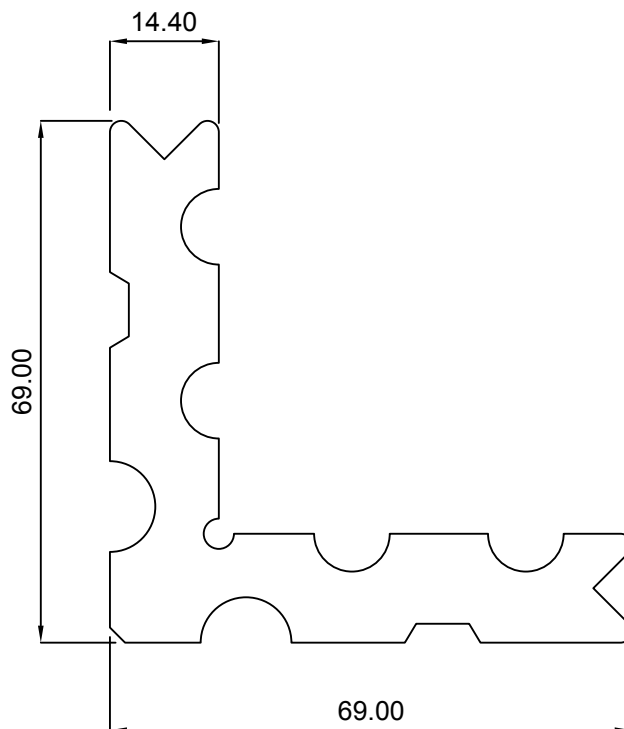


**11744**  
(4.938 Kg/m)

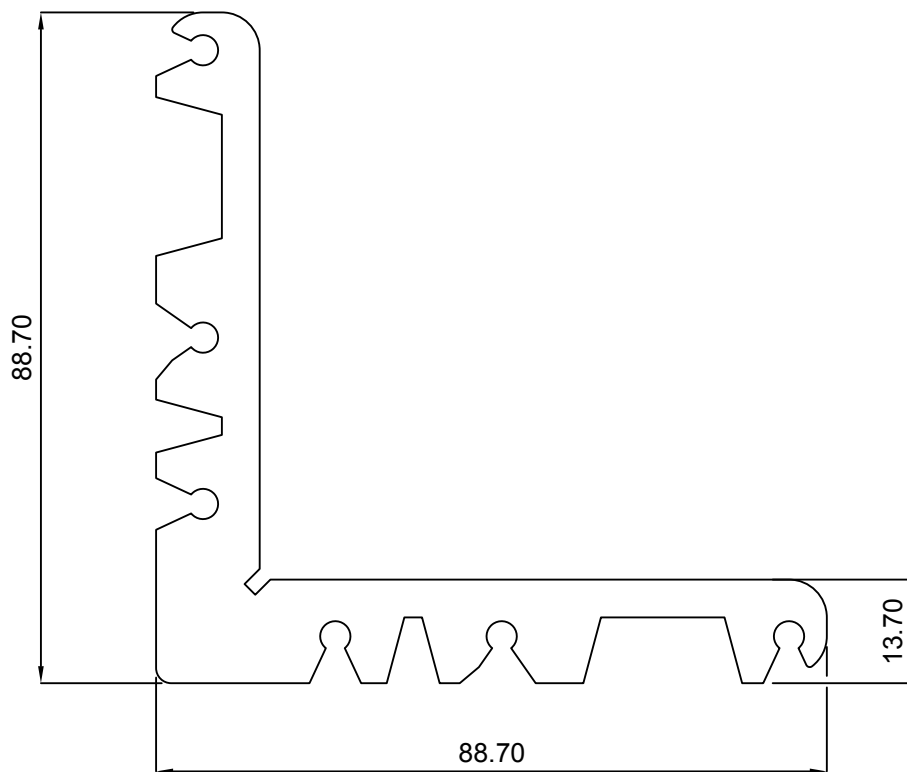
# Casement N45 - Corner Cleats



**11523**  
(2.072 Kg/m)

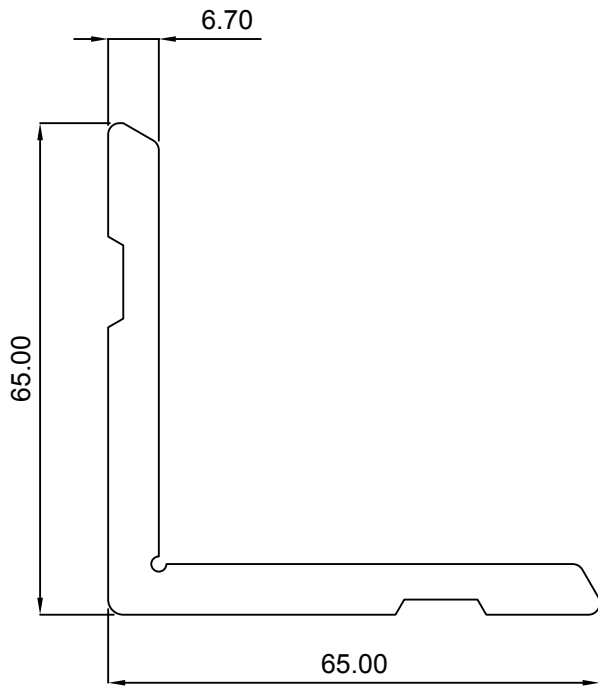


**10903**  
(3.785 Kg/m)

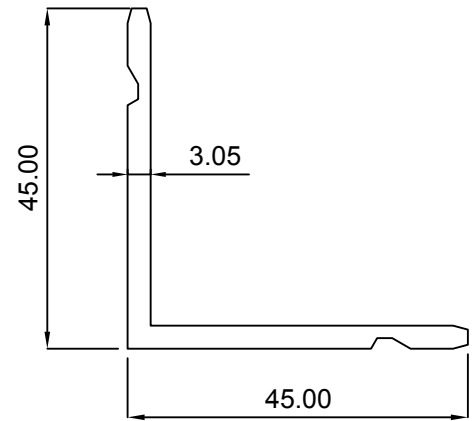


**11221**  
(4.302 Kg/m)

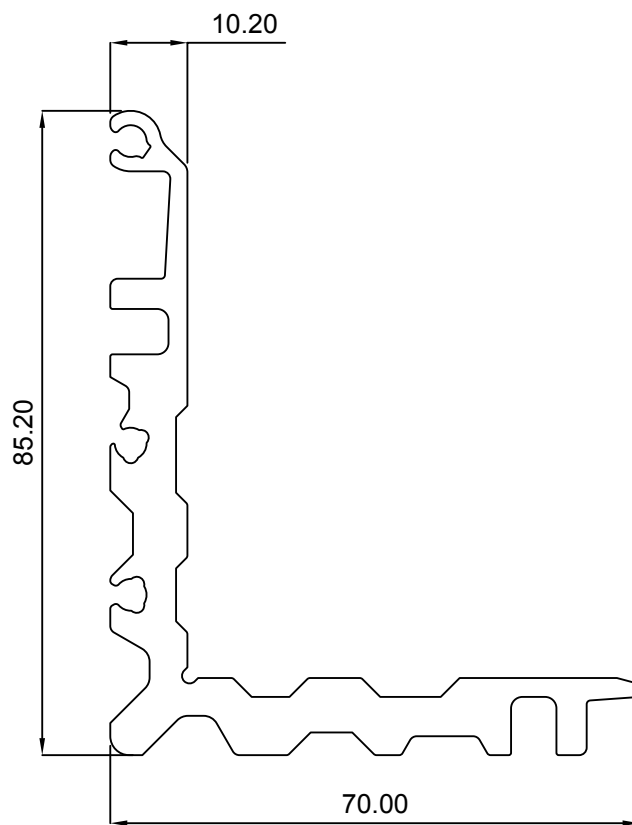
## Casement N45 - Corner Cleats



**11743**  
(2.067 Kg/m)

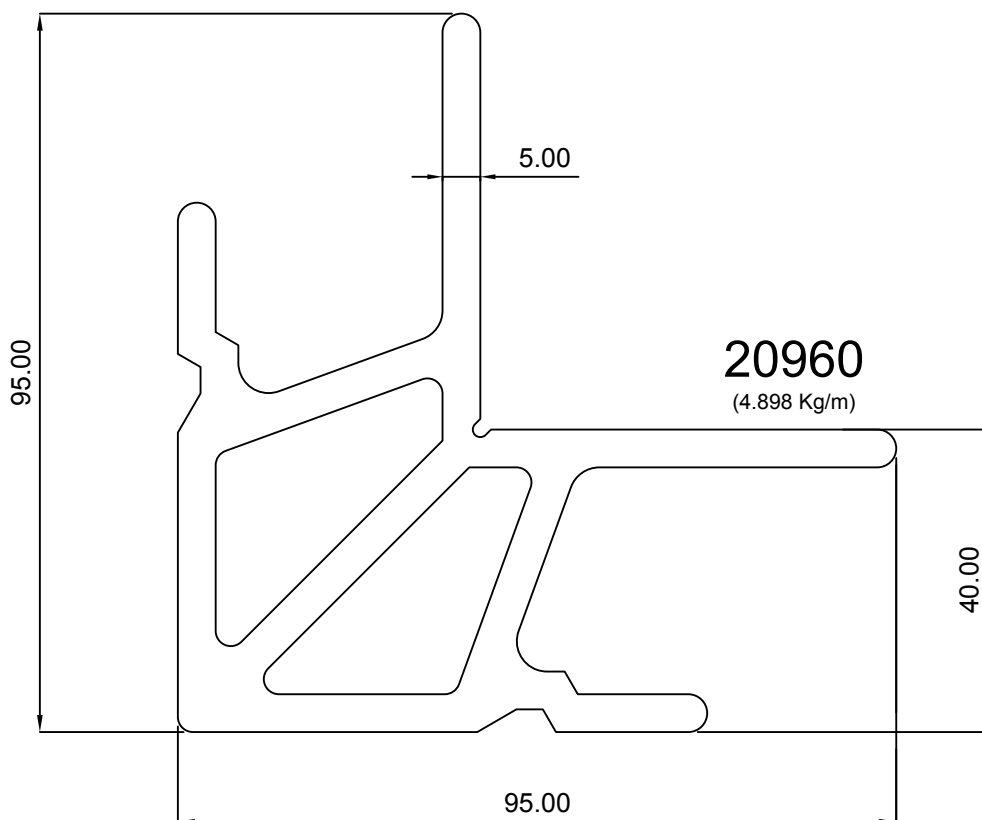
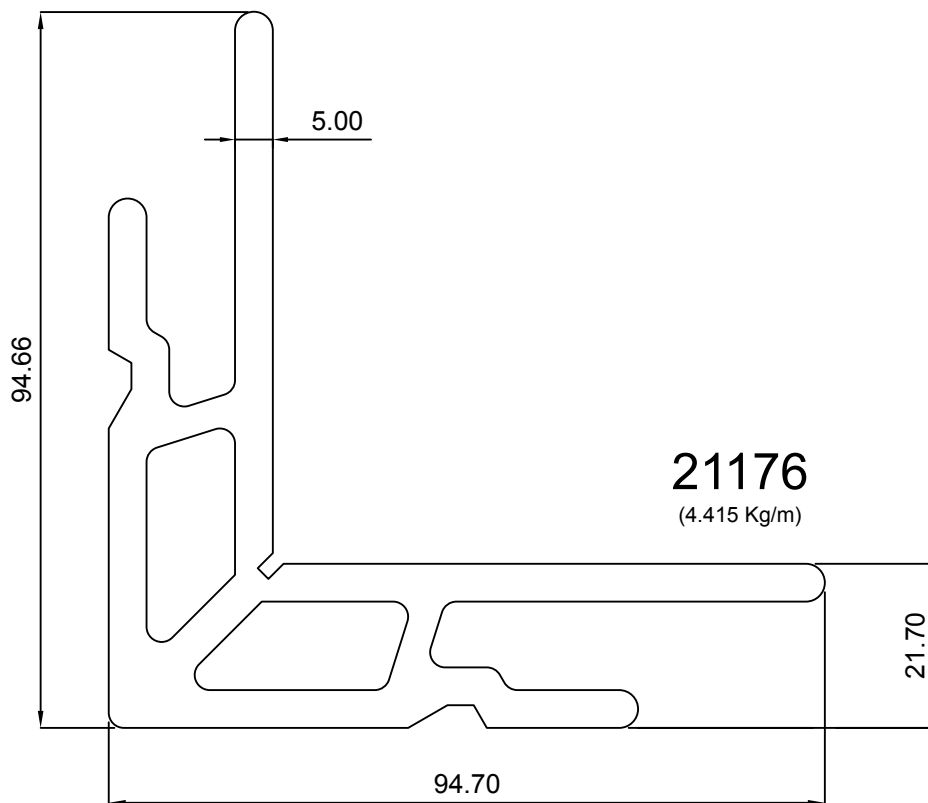


**10054**  
(0.705 Kg/m)

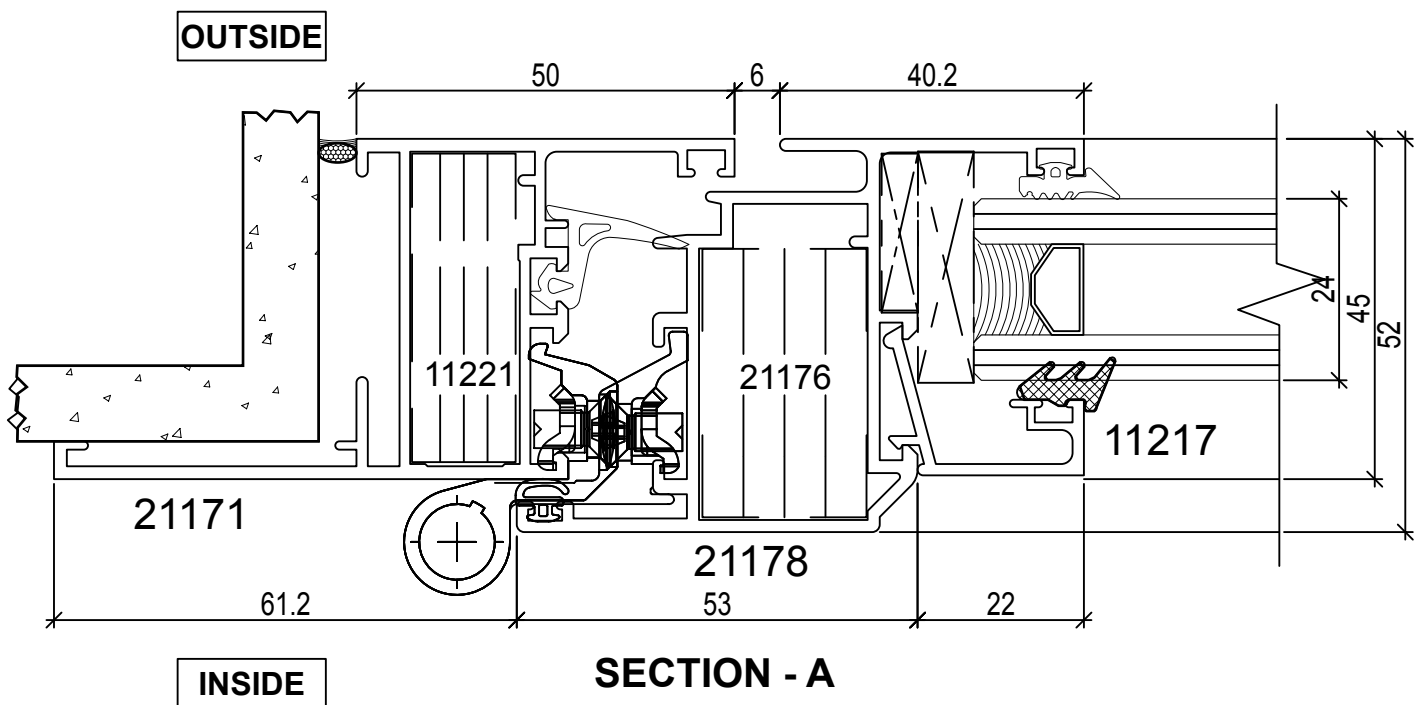
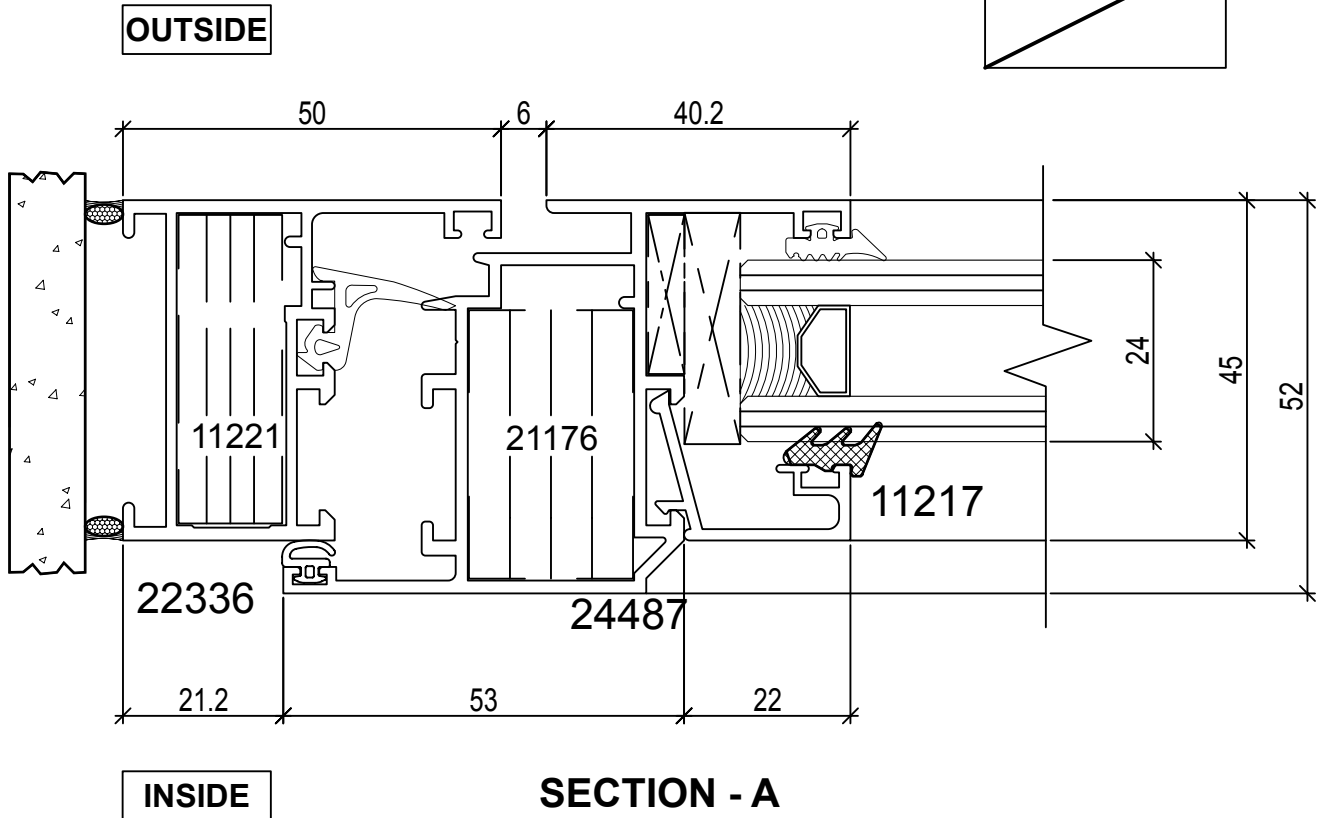
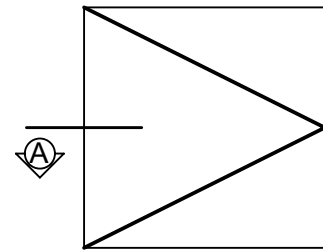


**11746**  
(2.424 Kg/m)

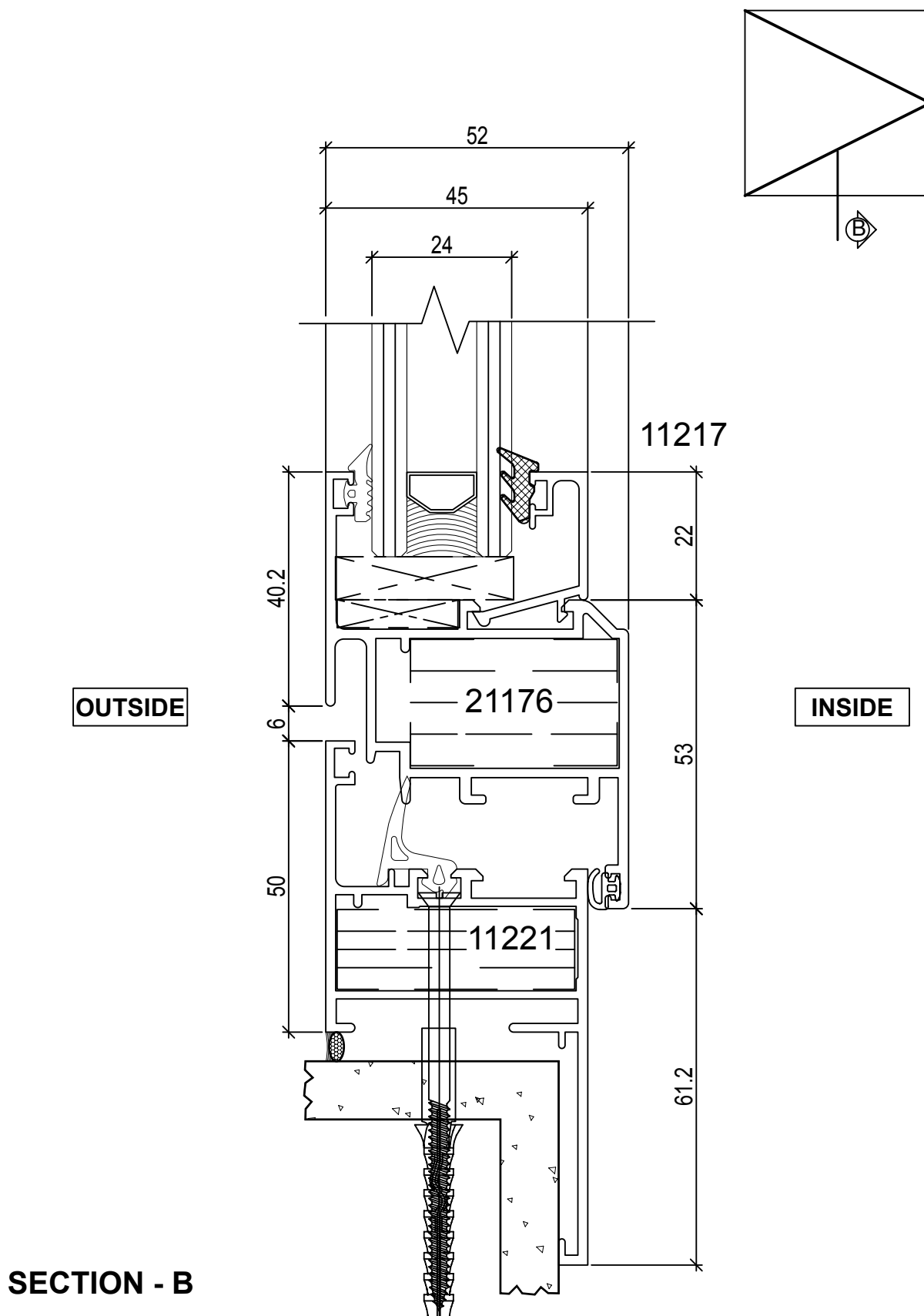
# Casement N45 - Corner Cleats



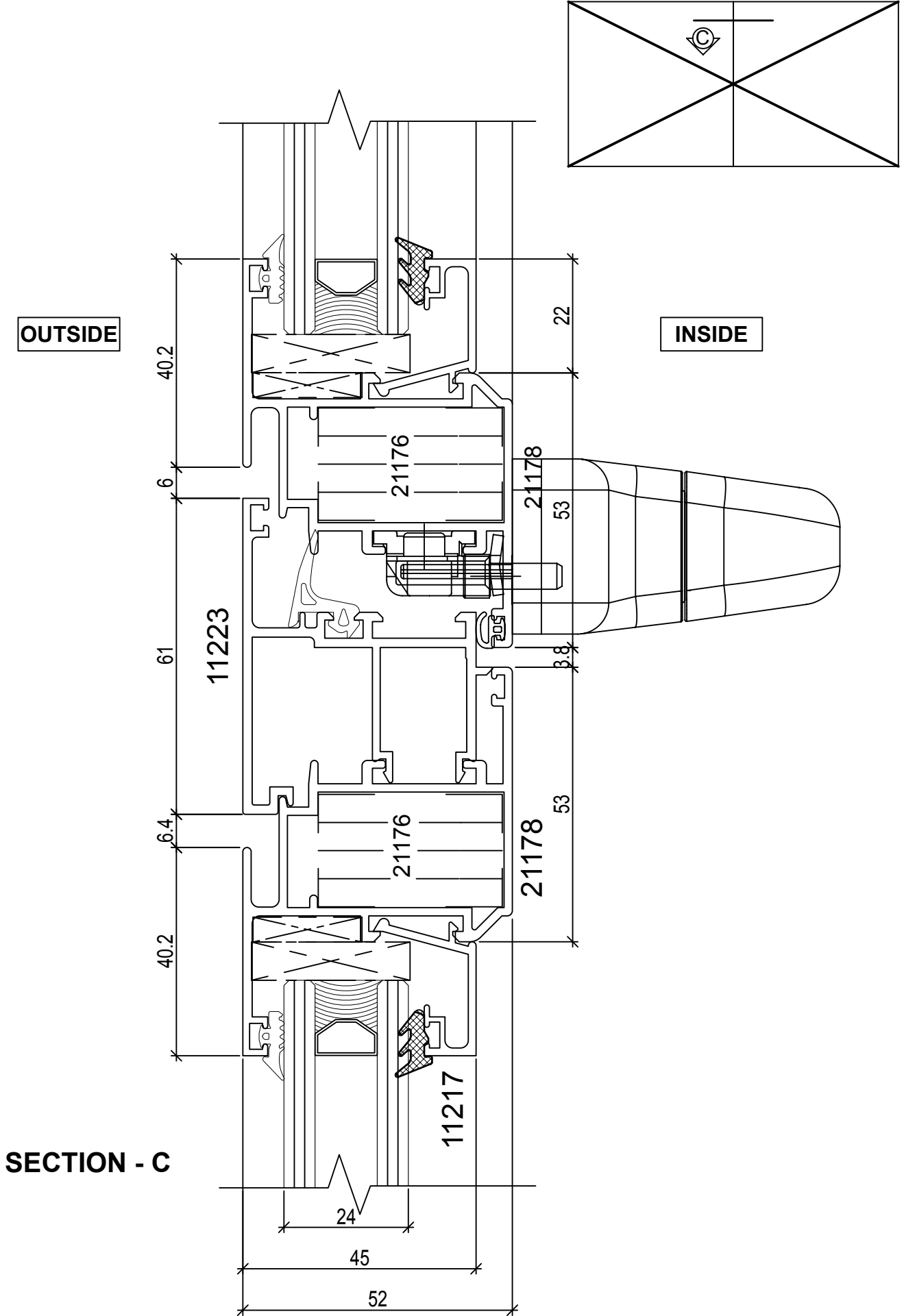
# Casement N45 - Cross Section



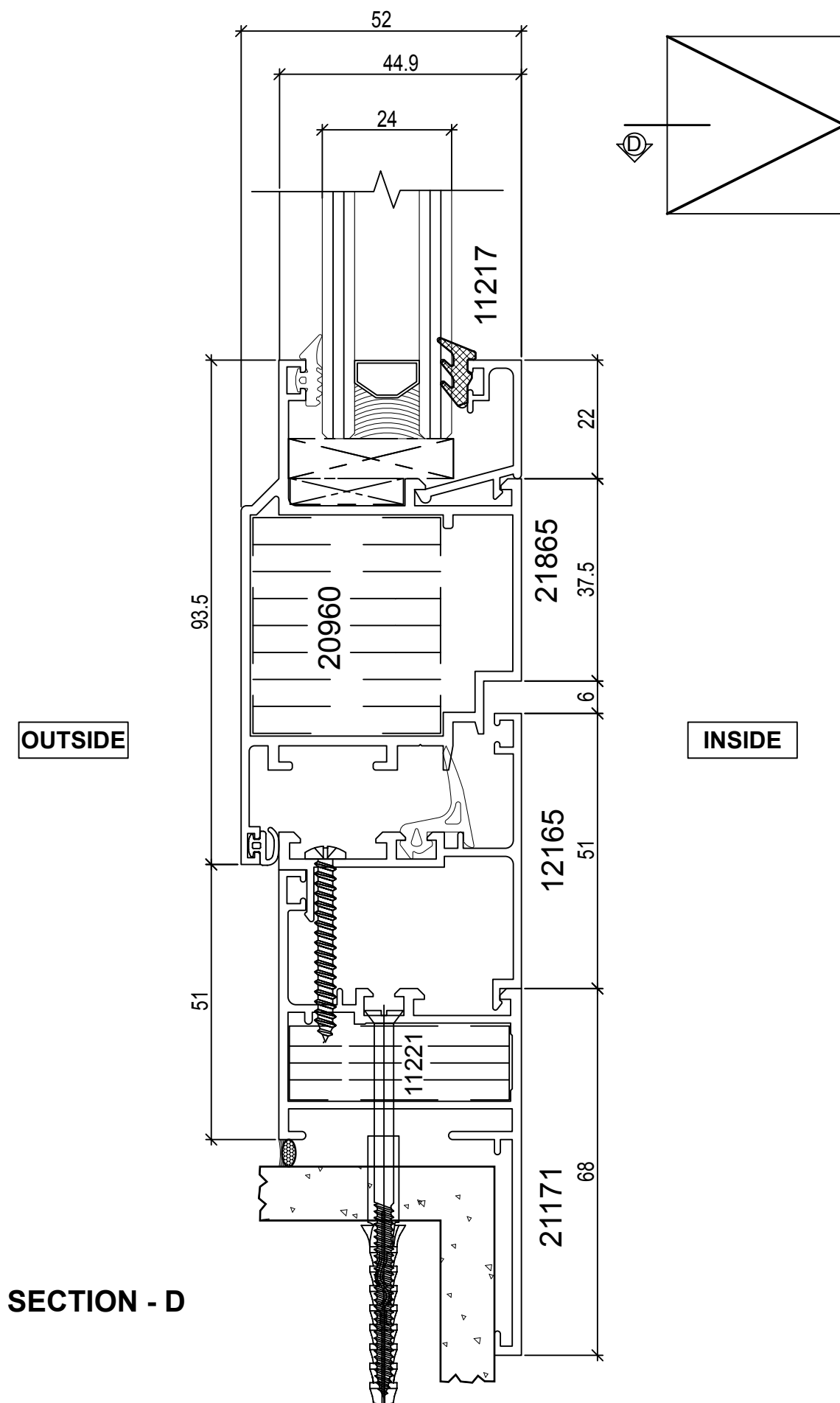
# Casement N45 - Cross Section



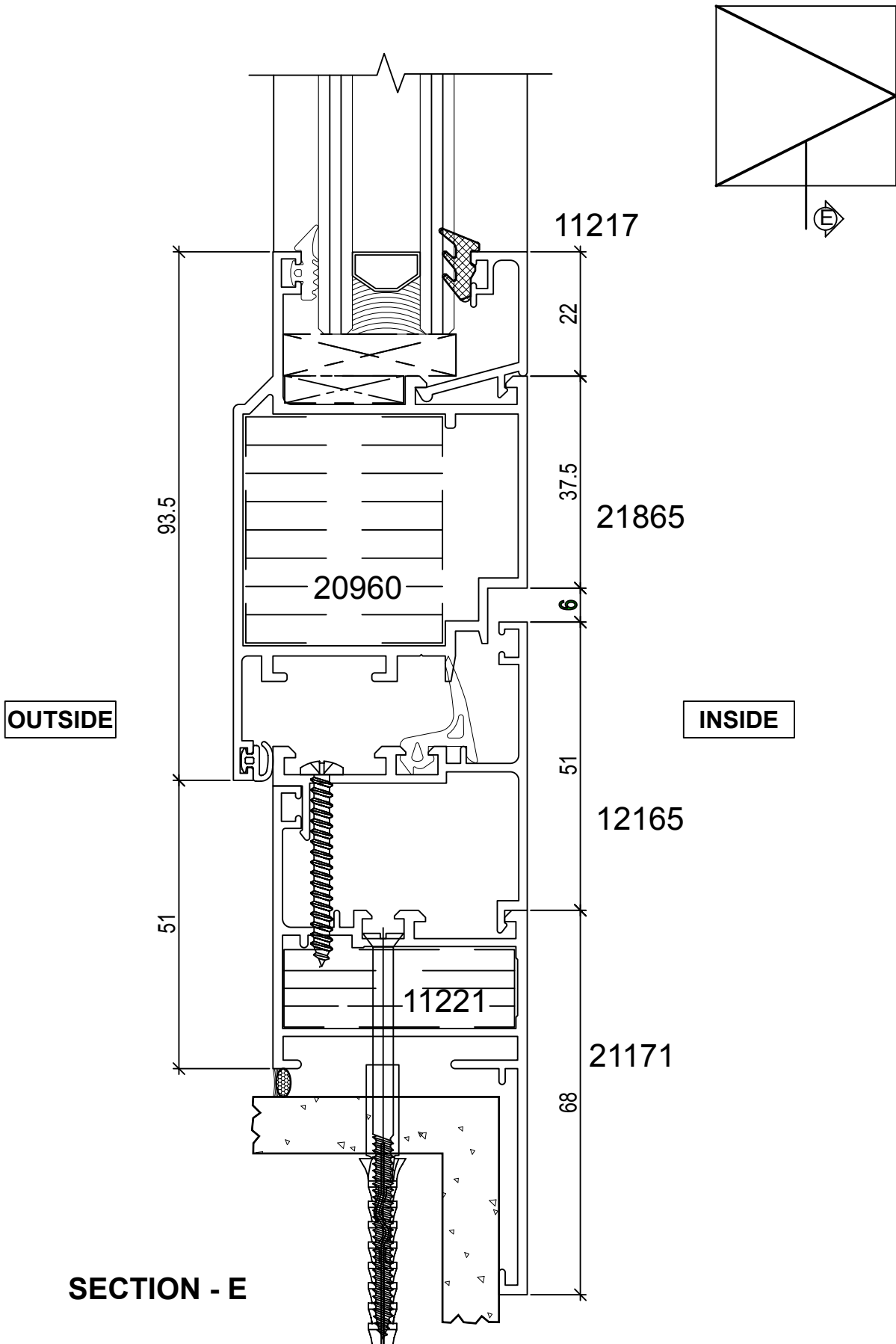
# Casement N45 - Cross Section



# Casement N45 - Cross Section



# Casement N45 - Cross Section

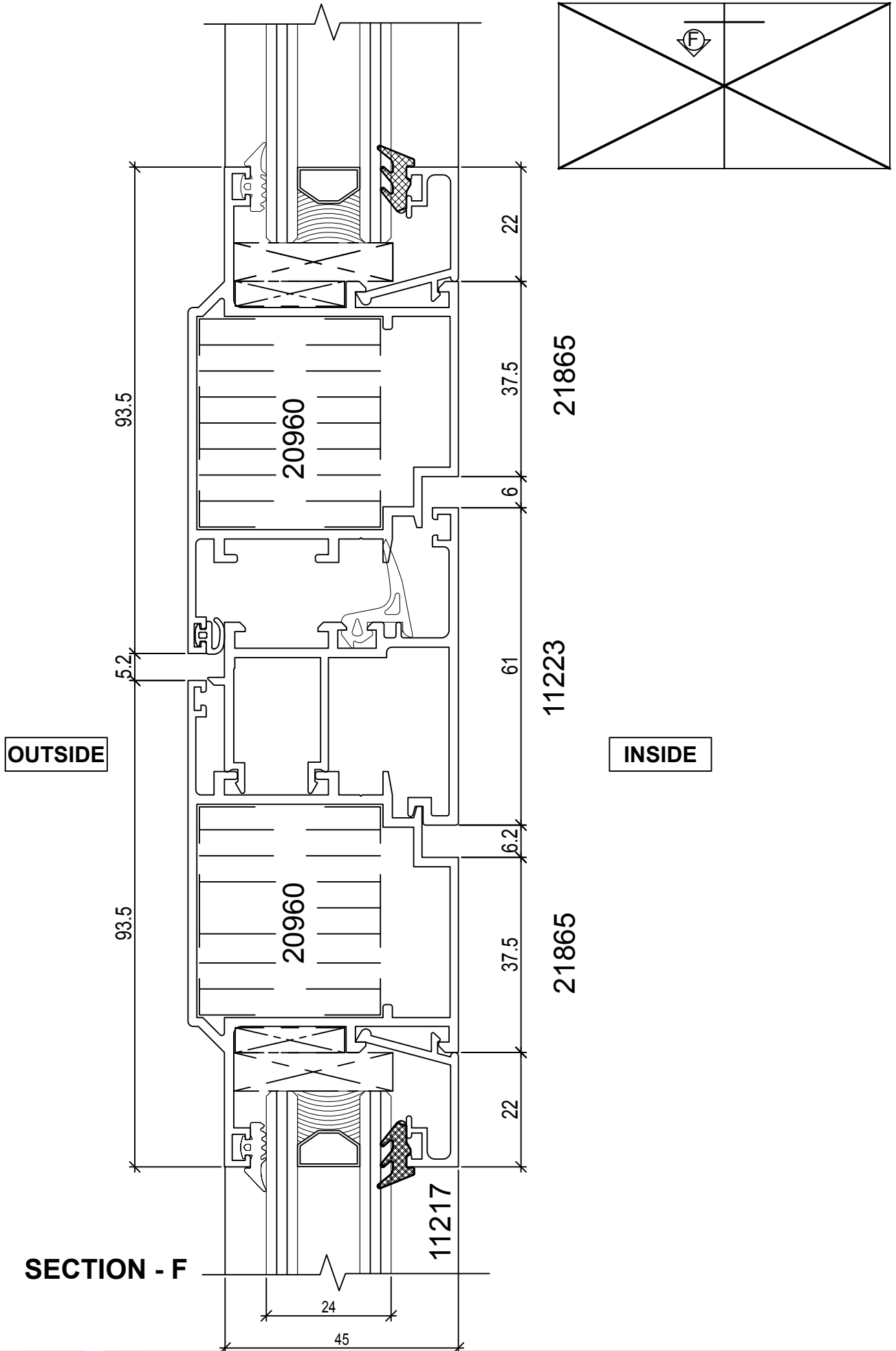


**OUTSIDE**

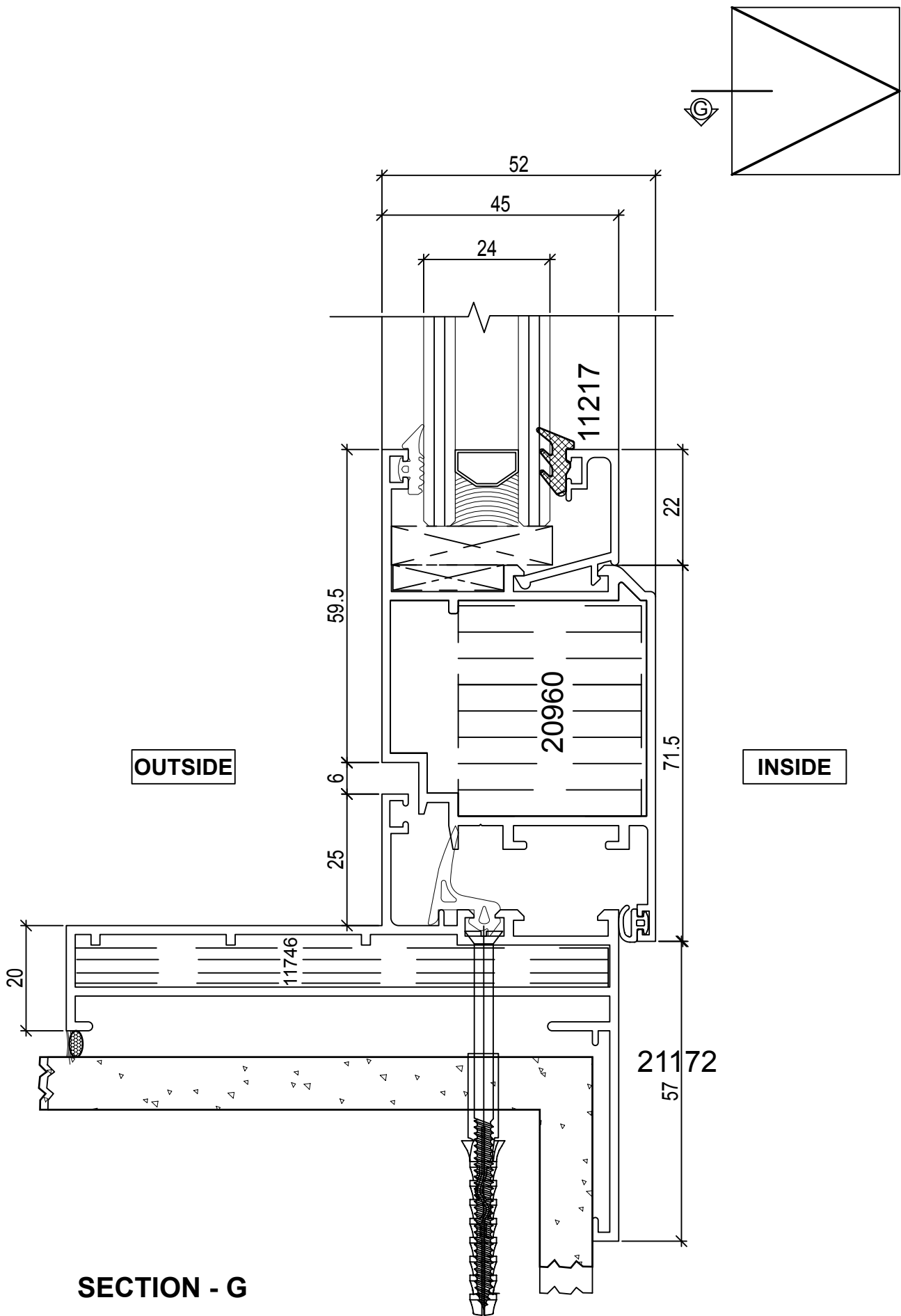
**INSIDE**

**SECTION - E**

# Casement N45 - Cross Section

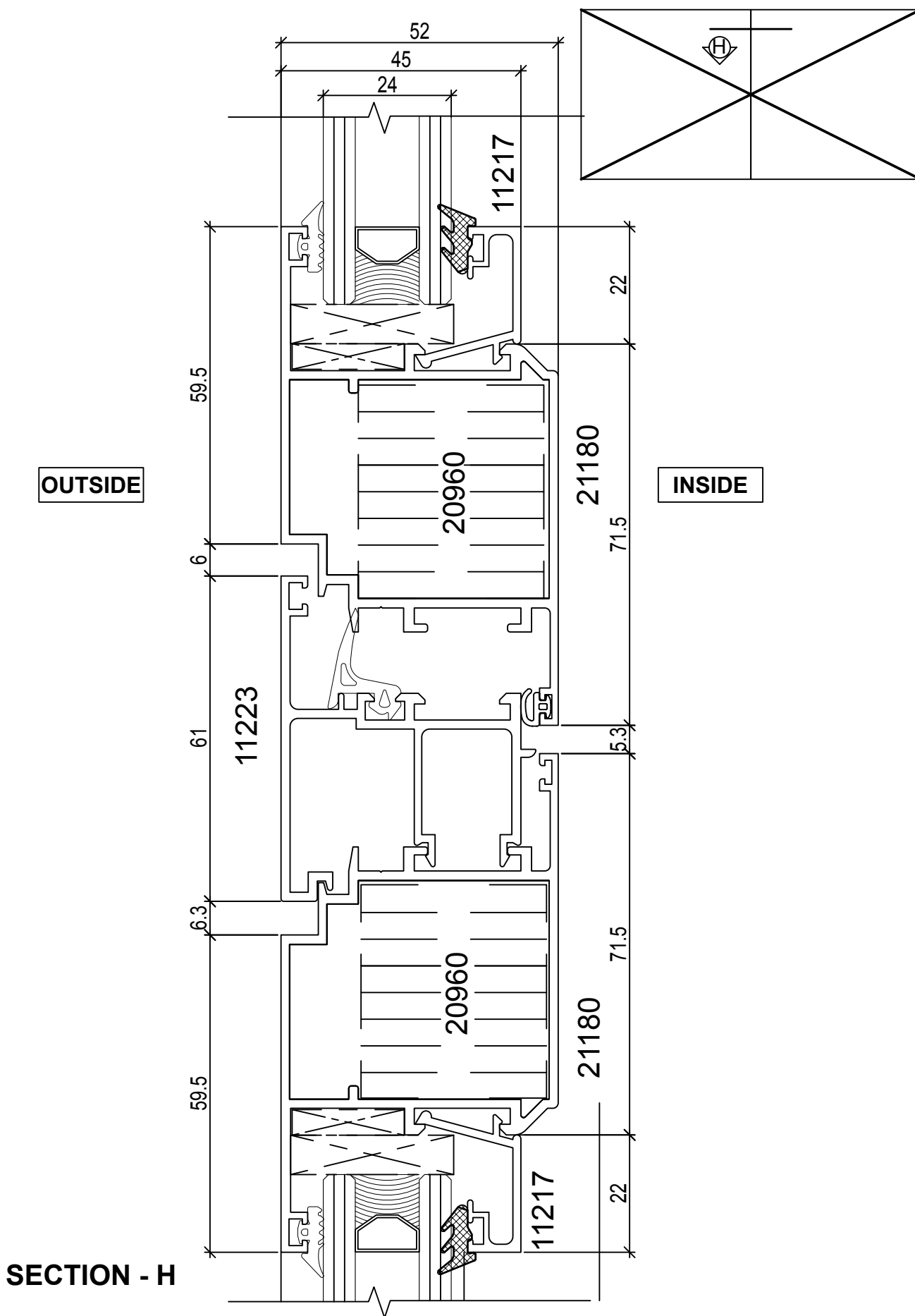


# Casement N45 - Cross Section

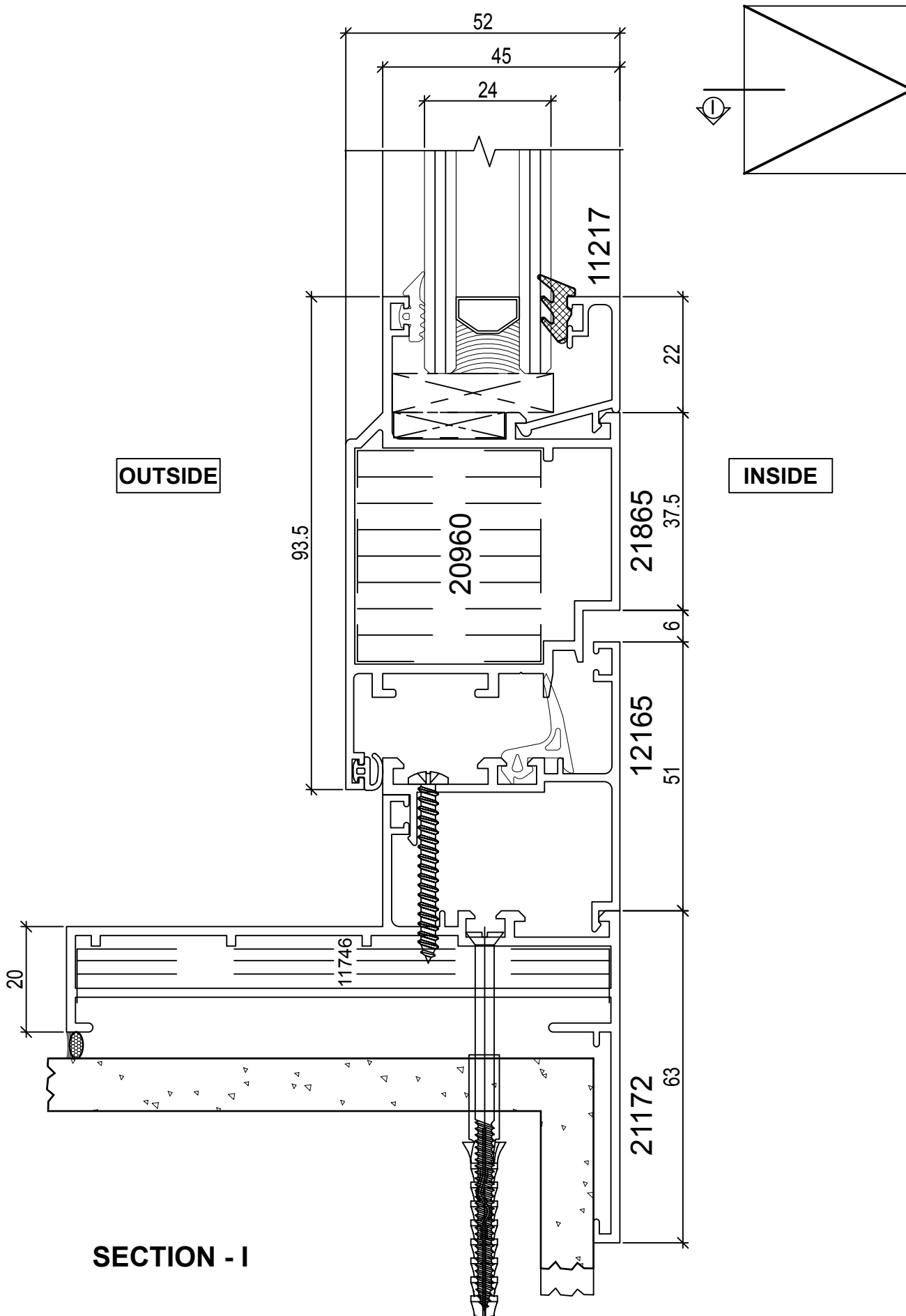


**SECTION - G**

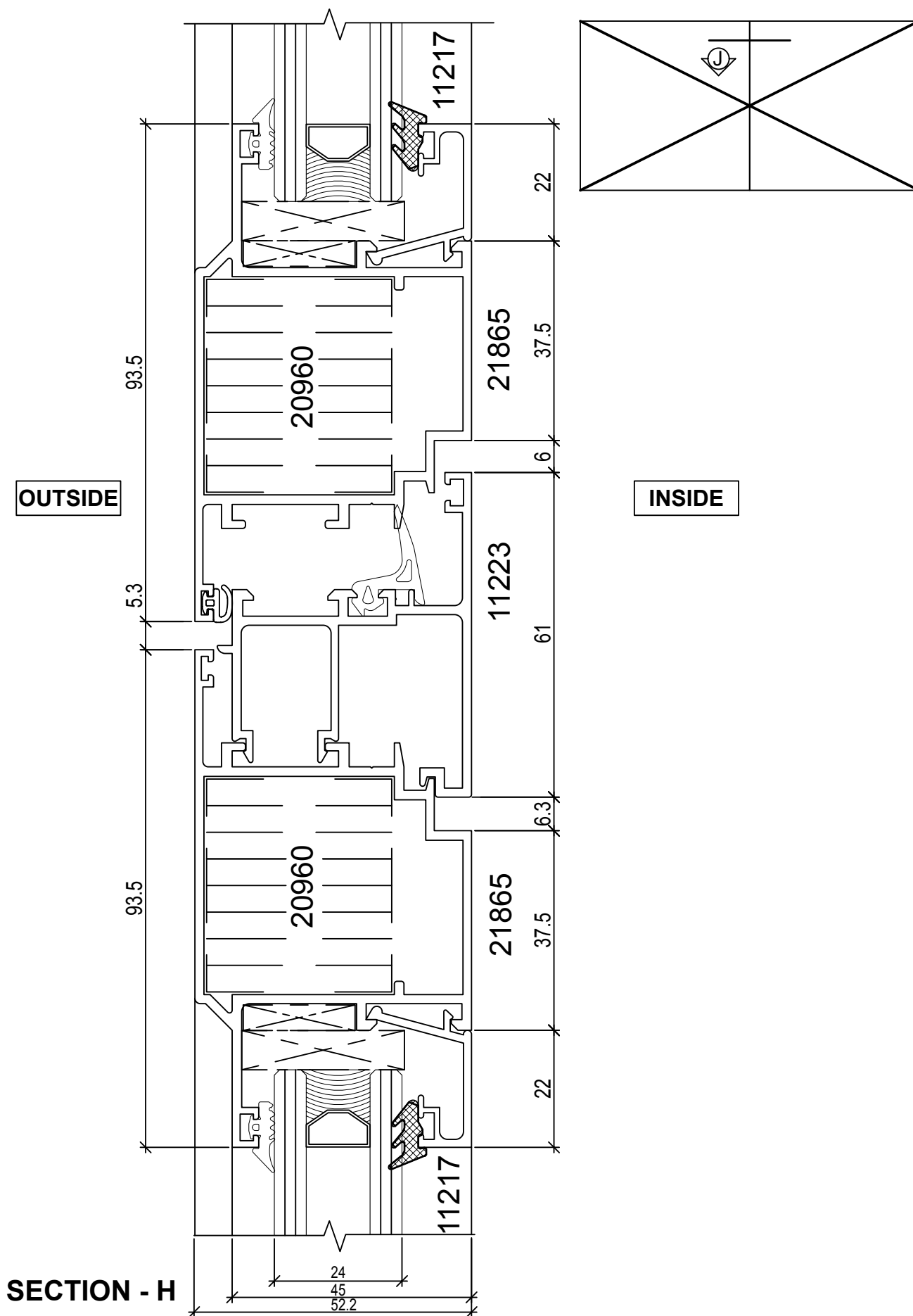
# Casement N45 - Cross Section



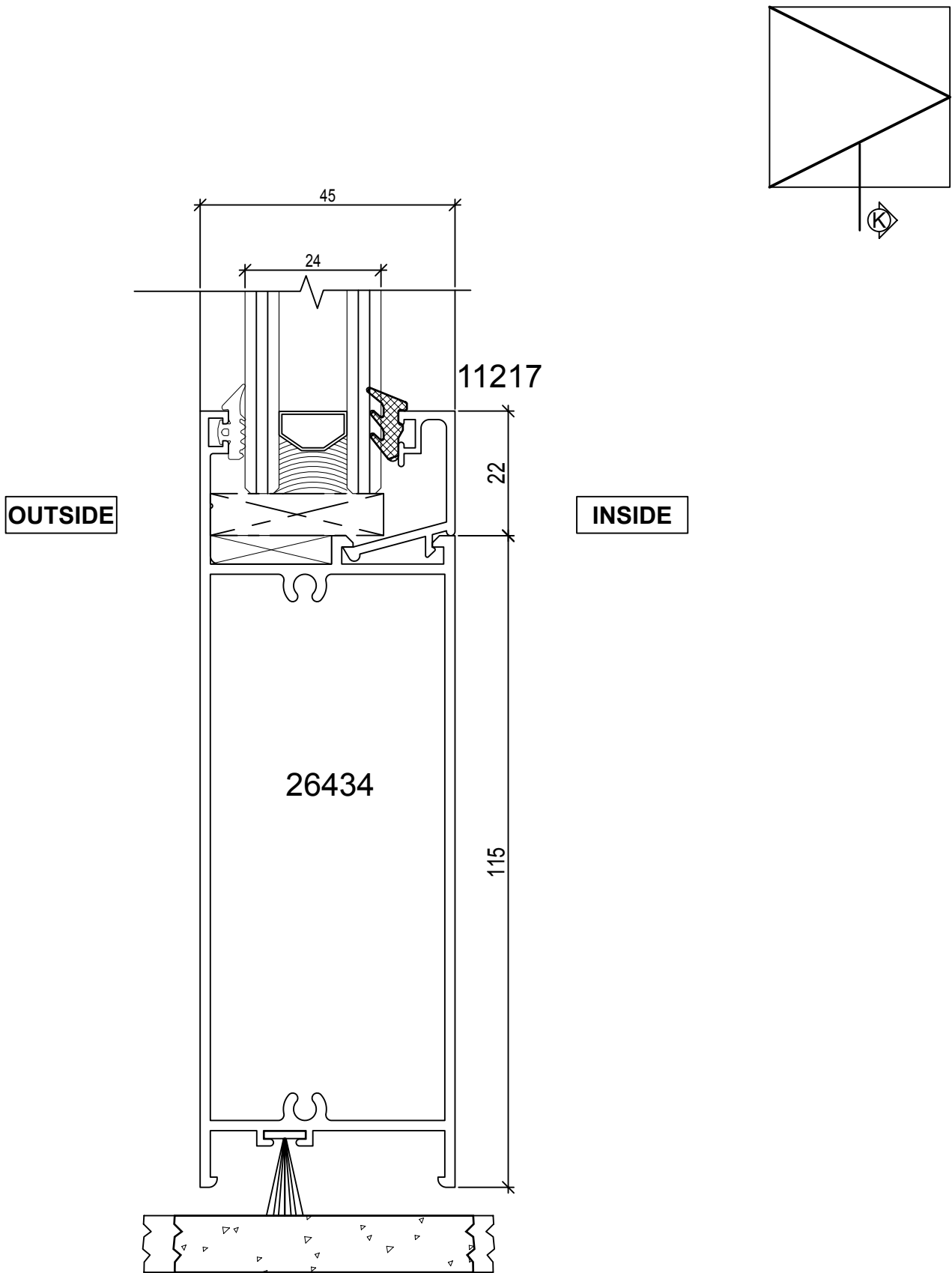
# Casement N45 - Cross Section



# Casement N45 - Cross Section



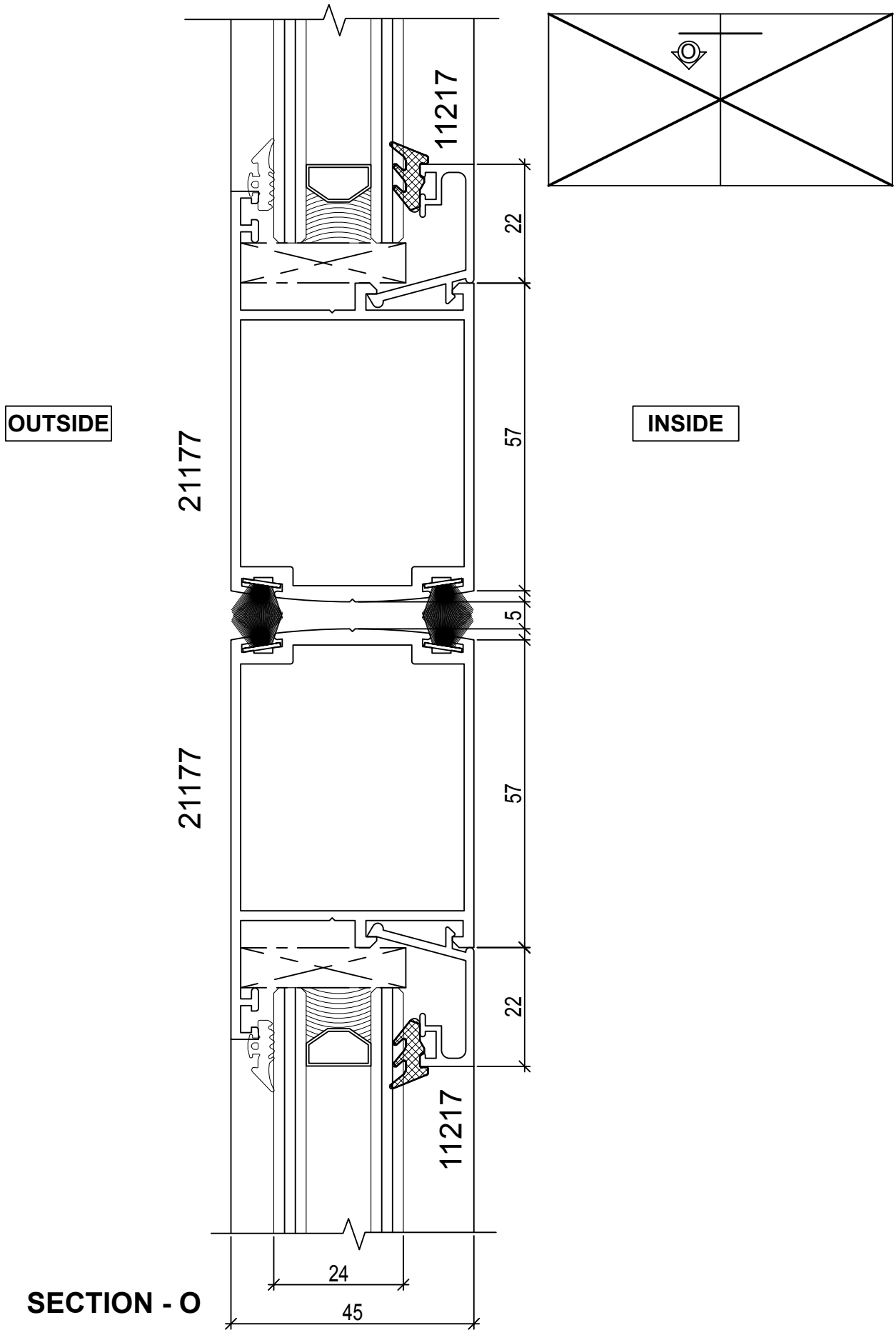
# Casement N45 - Cross Section



## SECTION - K

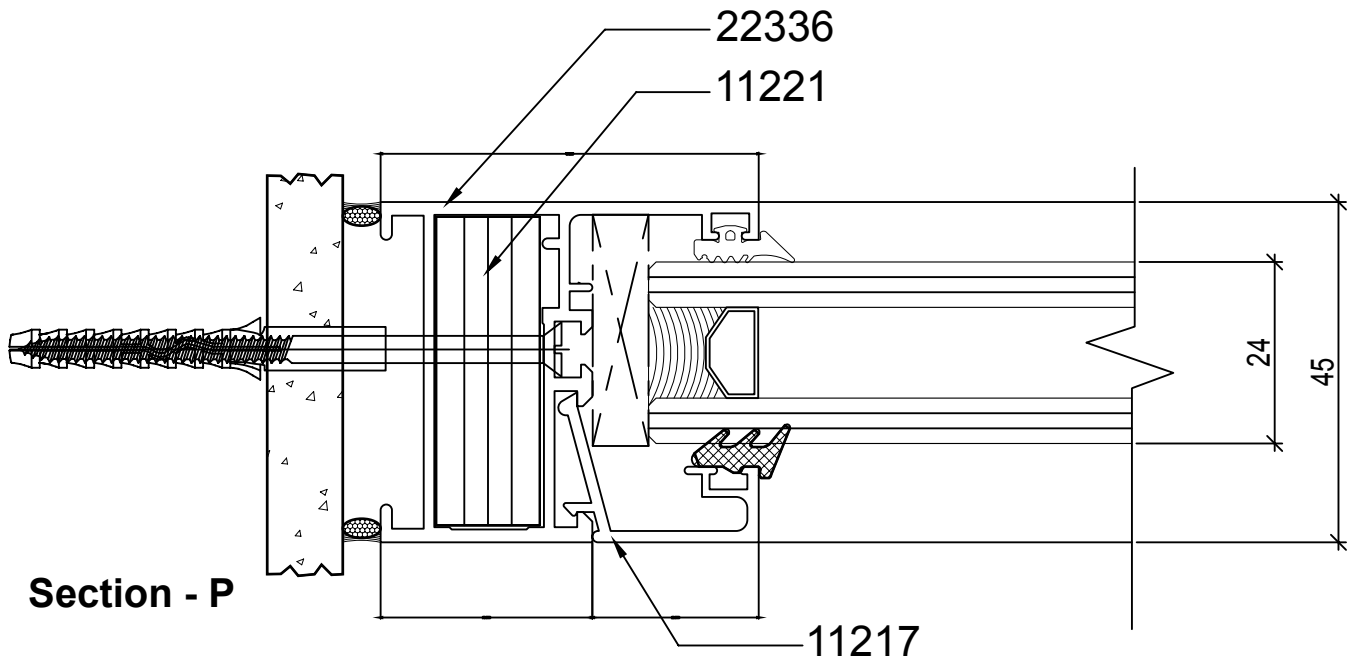
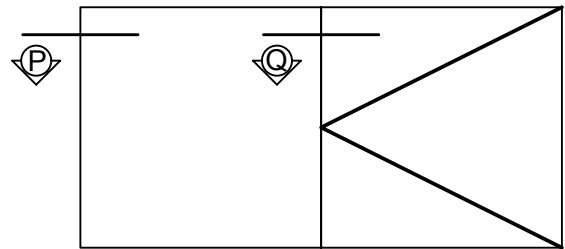


# Casement N45 - Cross Section

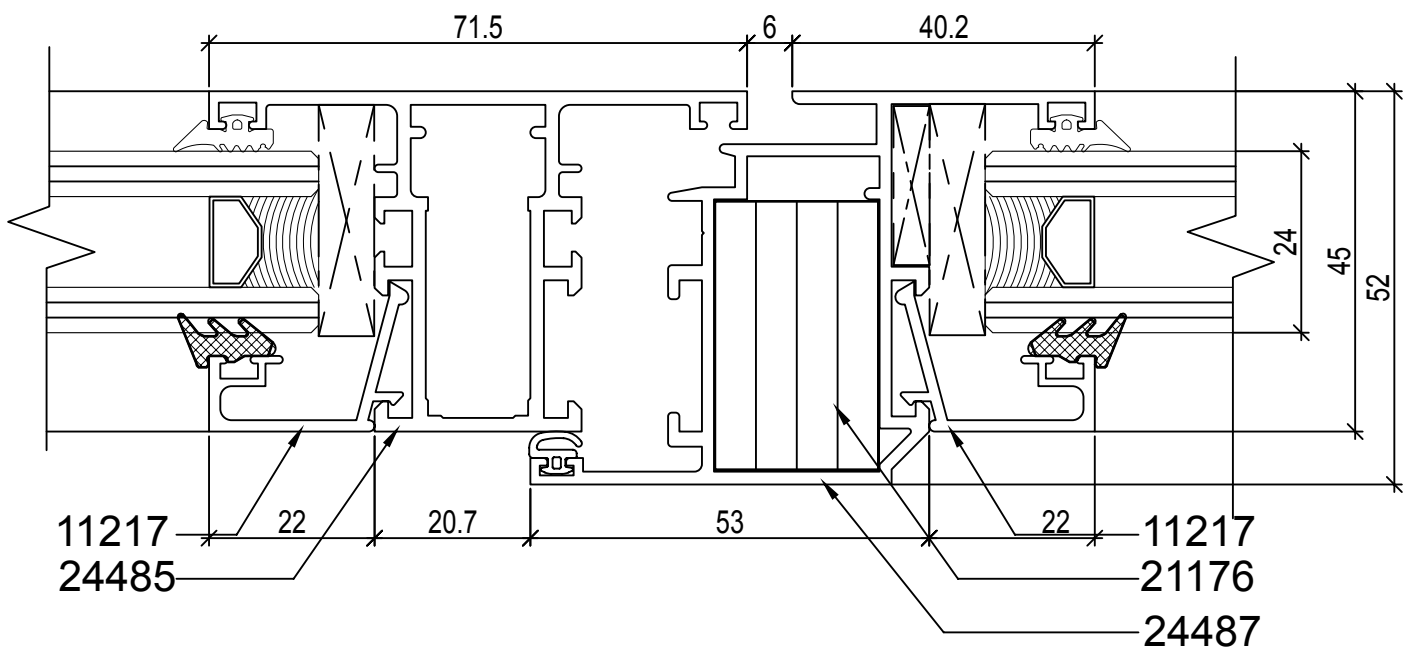


# Casement N45 - Cross Section

## Fix Window

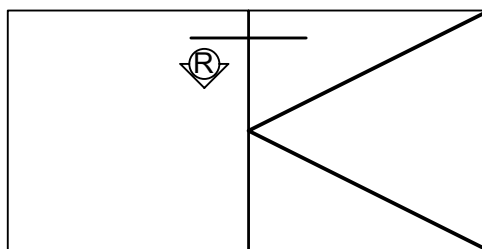
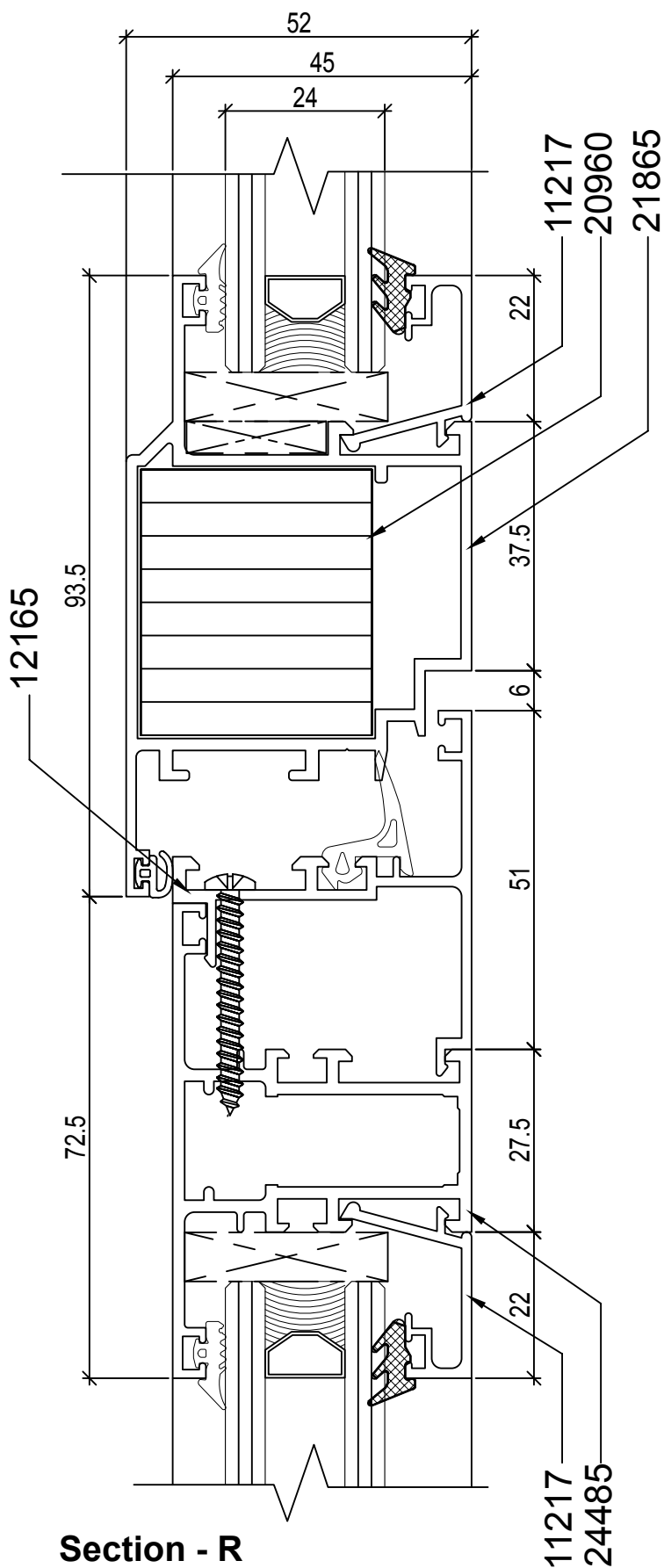


## Internal Opening



## Section - Q

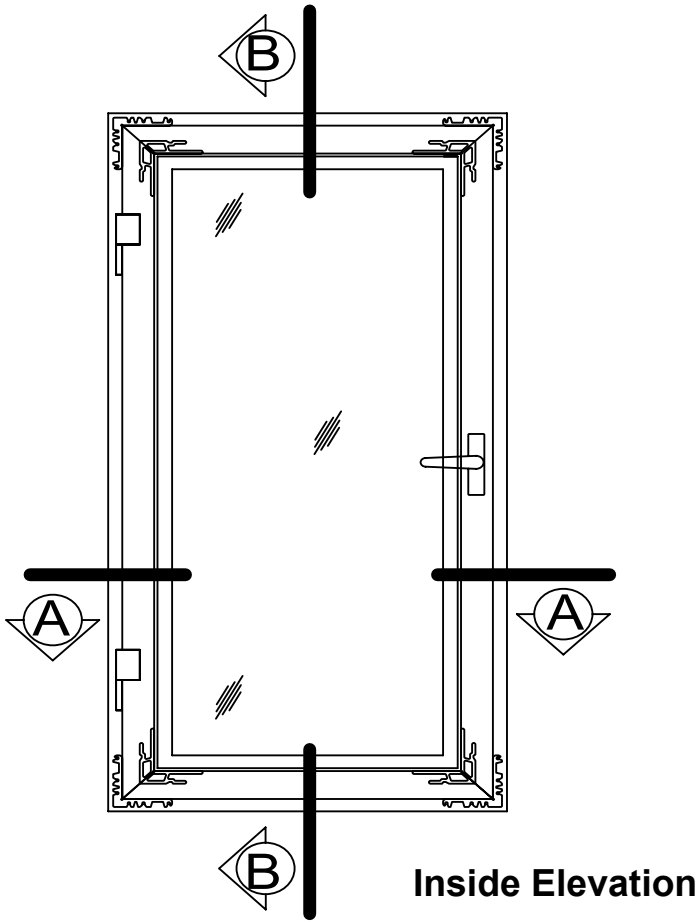
# Casement N45 - Cross Section



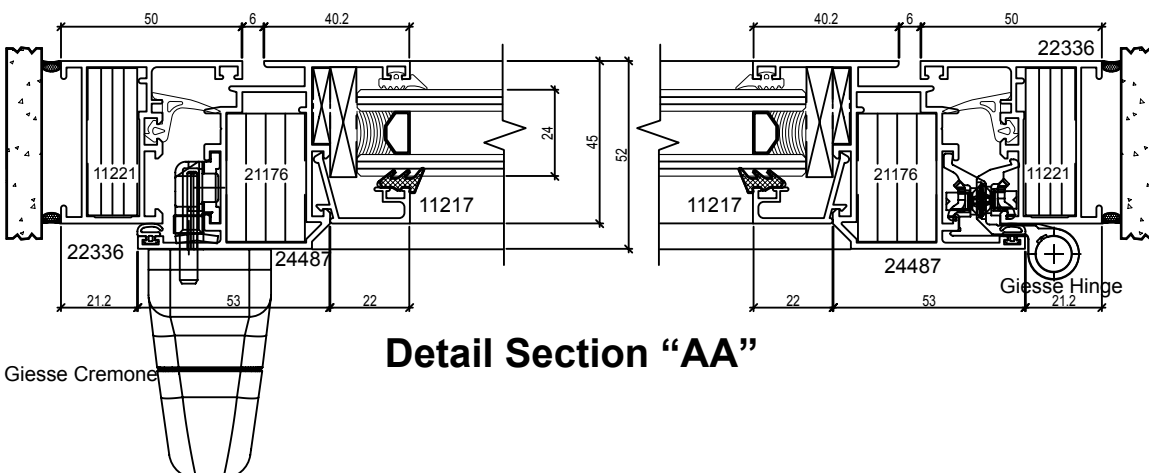
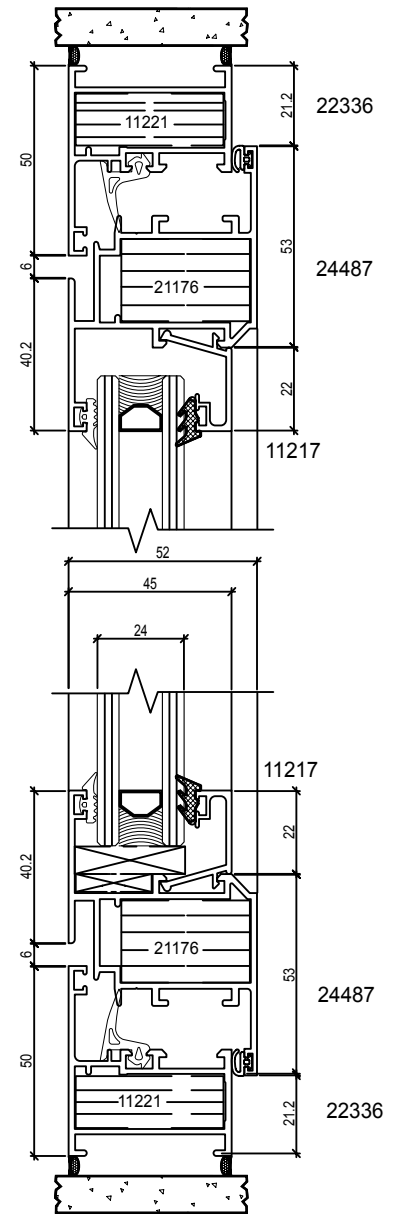
## Casement N45



# Casement N45

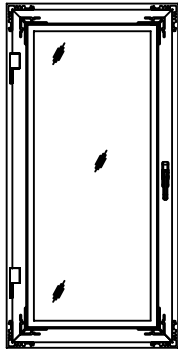


PROFILES		
Description	Shape	Section No.
Frame		22336
Sash		24487
Glazing bead		11217
Corner Cleat		11221
Corner Cleat		21176



Giesse Cremonese

# Casement N45 - Cross Section



Side Hung Window Internal Opening

**Mandatory Accessories**

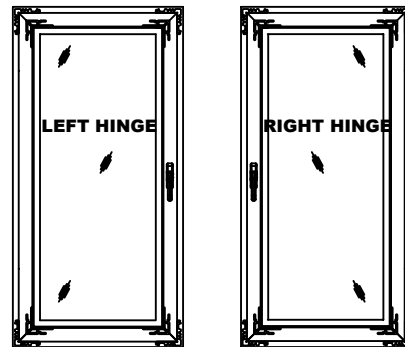
Accessories code	Description	Qty
00120U	Fish base hinge	2
01000U / #	Cremona	1
02270	Internal opening kit	1

**Additional Accessories**

00115U	3 leaf hinge	2
02030K	Friz Limiter arm	1

**Additional Accessories (H > 1200 W > 1000)**

04030K	Adjustable Pawl	4
01343K	Striker	4
04019K	Corner Drive	2



Side Hung Window Internal Opening (Concealed)

**Mandatory Accessories**

Accessories code	Description	Qty
043540001	CHIC hinge (Right)	1
043540002	CHIC hinge (Left)	
01000U / #	Cremona	1
02270	Internal opening kit	1

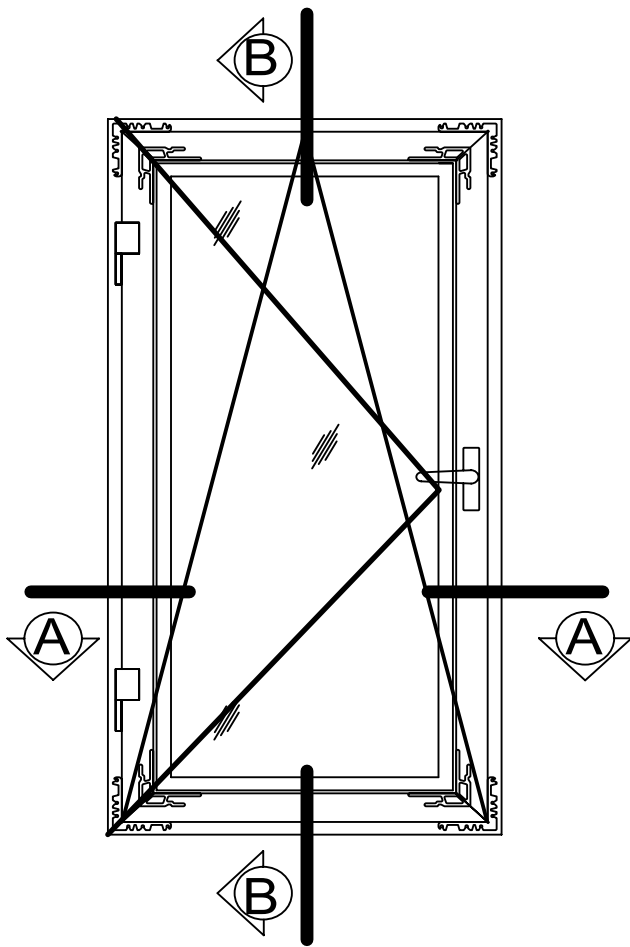
**Additional Accessories**

02030K	Friz Limiter arm	1
--------	------------------	---

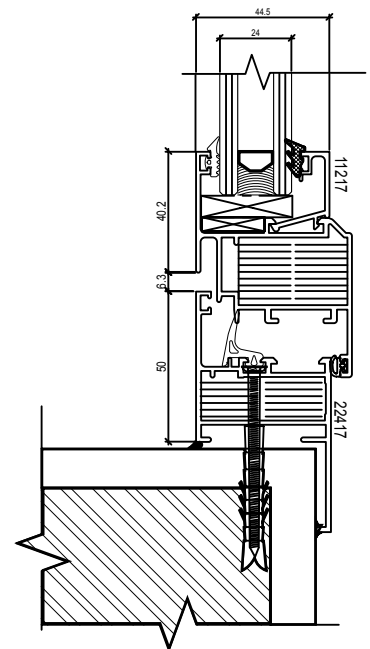
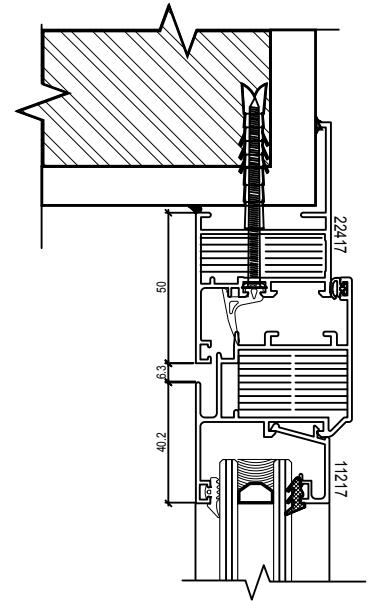
**Additional Accessories (H > 1200 W > 1000)**

04030K	Adjustable Pawl	4
01343K	Striker	4
04019K	Corner Drive	2

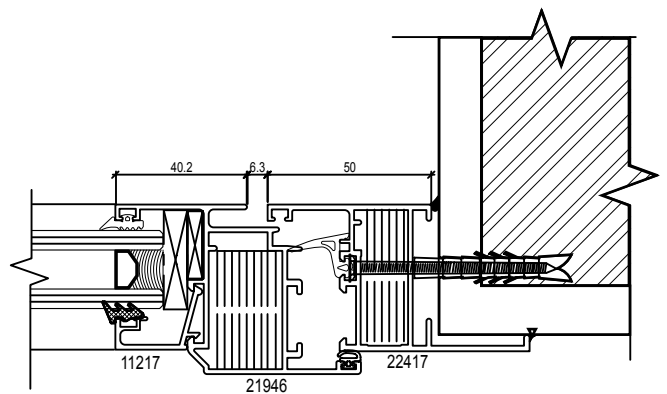
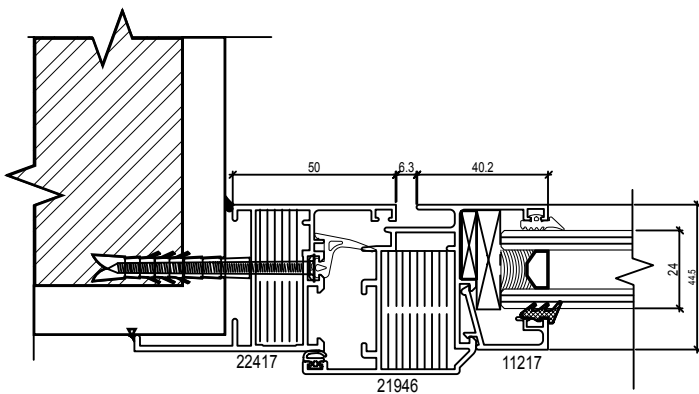
# Casement N45 - Cross Section



PROFILES		
Description	Shape	Section No.
Frame		22417
Sash		21946
Glazing bead		11217
Corner Cleat		11221
Corner Cleat2		20960

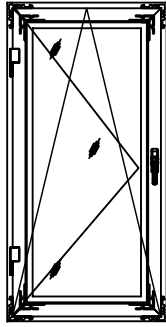


**Detail Section "BB"**



**Detail Section "AA"**

# Casement N45 - Cross Section



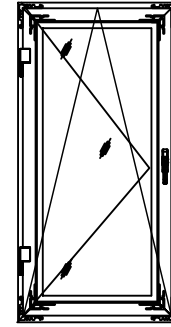
Tilt & Turn Window 130 KG

**Mandatory Accessories**

Accessories code	Description	Qty
04704	T&T mechanism	1
04711	T&T hinge	1
04284 04285	Arm type-1 (410 - 700mm) Arm type-2 (570 - 1800mm)	1
01039 / #	Prima T&T Cremone	1

**Additional Accessories (H > 1200 W > 1000)**

04030K	Adjustable Pawl	2
01343K	Striker	2
04770K	Additional closing kit (H >1200 W >1000)	1 / 2
04301K	Additional arm (W >1000)	1
02030K	Friz Limiter arm	1



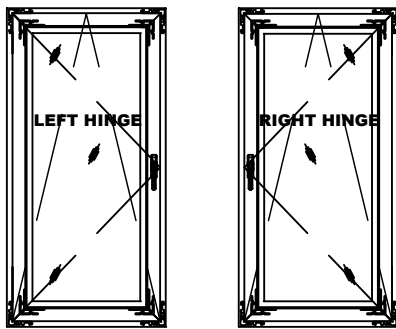
Tilt & Turn Window 80 KG ( Classic 80 )

**Mandatory Accessories**

Accessories code	Description	Qty
04704	T&T mechanism	1
04739	T&T hinge	1
04339 04340	Arm type-1 (410 - 1300mm) Arm type-2 (570 - 1700mm)	1
01039 / #	Prima T&T Cremone	1

**Additional Accessories (H > 1200 W > 1000)**

04030K	Adjustable Pawl	2
01343K	Striker	2
04770K	Additional closing kit (H >1200 W >1000)	1 / 2
04301K	Additional arm (W >1000)	1
02030K	Friz Limiter arm	1



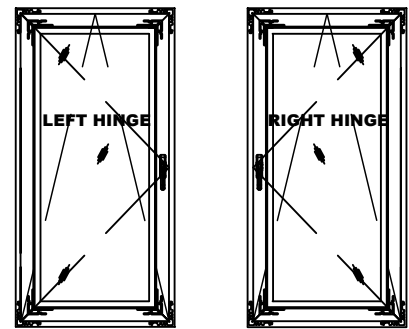
Tilt & Turn Window Chic & NP Supra ( Arm Type-1 )

**Mandatory Accessories**

Accessories code	Description	Qty
03955000	NP SUPRA T&T mechanism	1
043550001 043550002	CHIC T&T hinge Kit + T1 arm (Right) - 445 to 700mm CHIC T&T hinge Kit + T1 arm (Left) - 445 to 700mm	1
03962FFF 039623FFF	NP SUPRA Prima Line NP SUPRA Asia Line	1

**Additional Accessories (H > 1200 W > 1000)**

04030K	Adjustable Pawl	2
01343K	Striker	2
04770K	Additional closing kit (H >1200 W >1000)	1 / 2
04301K	Additional arm (W >1000)	1
02030K	Friz Limiter arm	1



Tilt & Turn Window Chic & NP Supra ( Arm Type-2 )

**Mandatory Accessories**

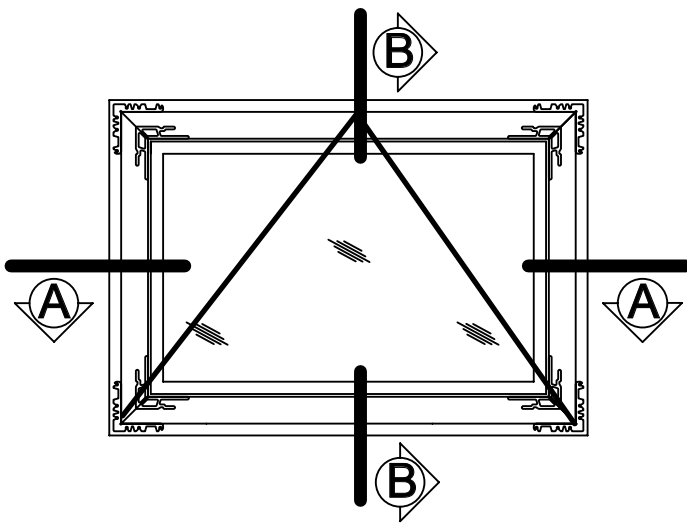
Accessories code	Description	Qty
03955000	NP SUPRA T&T mechanism	1
043560001 043560002	CHIC T&T hinge Kit + T2 arm (Right) - 445 to 700mm CHIC T&T hinge Kit + T2 arm (Left) - 445 to 700mm	1
03962FFF 039623FFF	NP SUPRA Prima Line NP SUPRA Asia Line	1

**Additional Accessories (H > 1200 W > 1000)**

04030K	Adjustable Pawl	2
01343K	Striker	2
04770K	Additional closing kit (H >1200 W >1000)	1 / 2
04301K	Additional arm (W >1000)	1
02030K	Friz Limiter arm	1

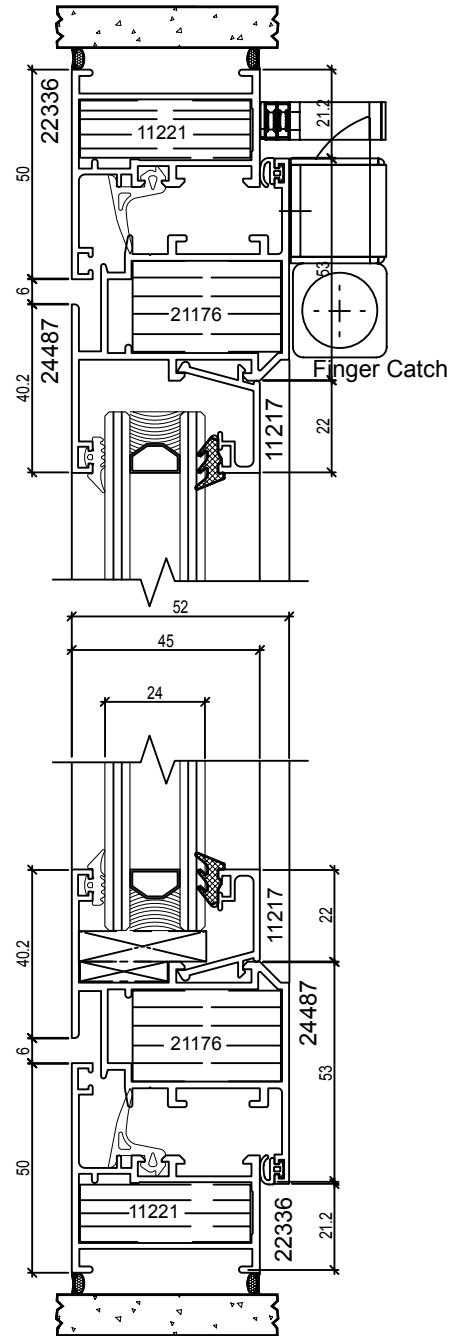
# - Additional cremone design can be selected from main Accessories list (Page ---)

# Casement N45 - Cross Section

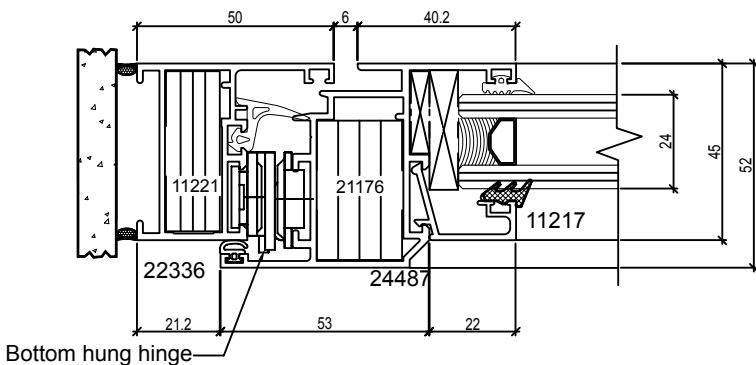


Inside Elevation

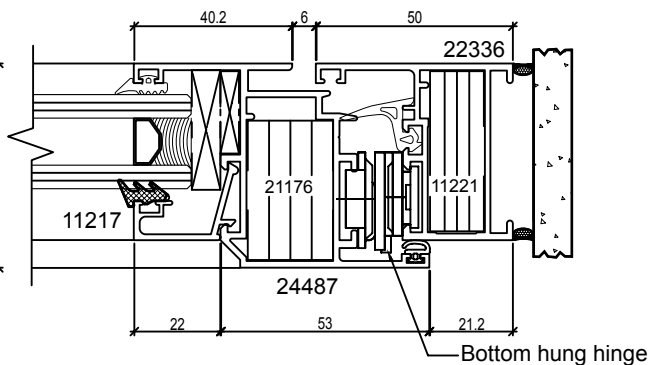
PROFILES		
Description	Shape	Section No.
Frame		22336
Sash		24487
Glazing bead		11217
Corner Cleat		11221
Corner Cleat		21176



Detail Section "BB"



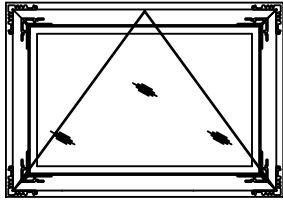
Bottom hung hinge



Bottom hung hinge

Detail Section "AA"

# Casement N45 - Cross Section



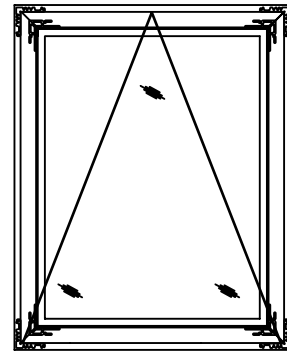
Bottom Hung Window ( Max 20 KG )

### Mandatory Accessories

Accessories code	Description	Qty
02051	Bottom hung hinge - Max. Height 700mm & Weight 20kg	1
01701N	Grisbi finger catch	1

### Optional Accessories

01704	Twin Catch	1
-------	------------	---



Bottom Hung Window ( Max 80 KG )

### Mandatory Accessories

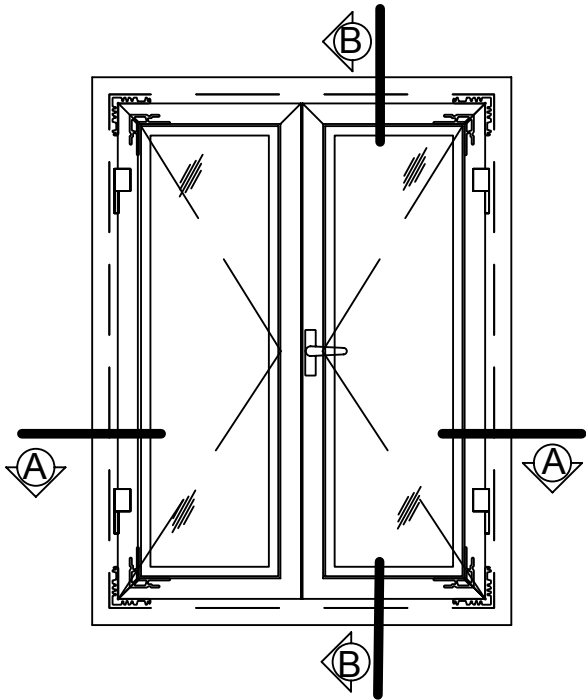
Accessories code	Description	Qty
00600N	Bridge hinge	2
02040	Long Rallenty Arm (W2500 x H2500)	1
01701N	Grisbi finger catch	1

### Optional Accessories

01704	Twin Catch	1
02041	Short Rallenty Arm (W2500 x H1500) Max. 50kg	1

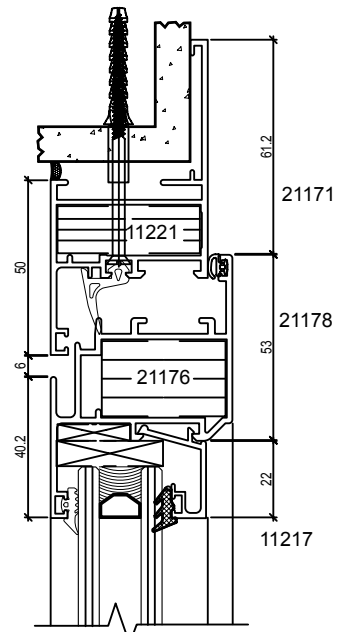
# - Additional cremone design can be selected from main Accessories list (Page ---)

# Casement N45 - Cross Section



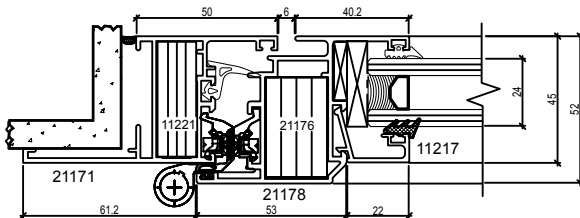
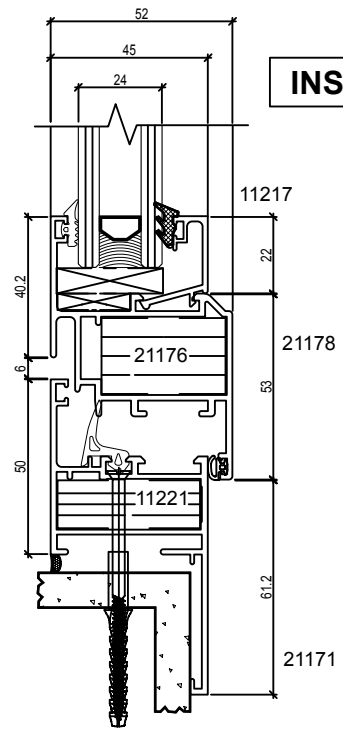
**Inside Elevation**

PROFILES		
Description	Shape	Section No.
Frame		21171
Sash		21178
Glazing bead		11217
Adaptor		11223
Corner Cleat		11221
Corner Cleat		21176

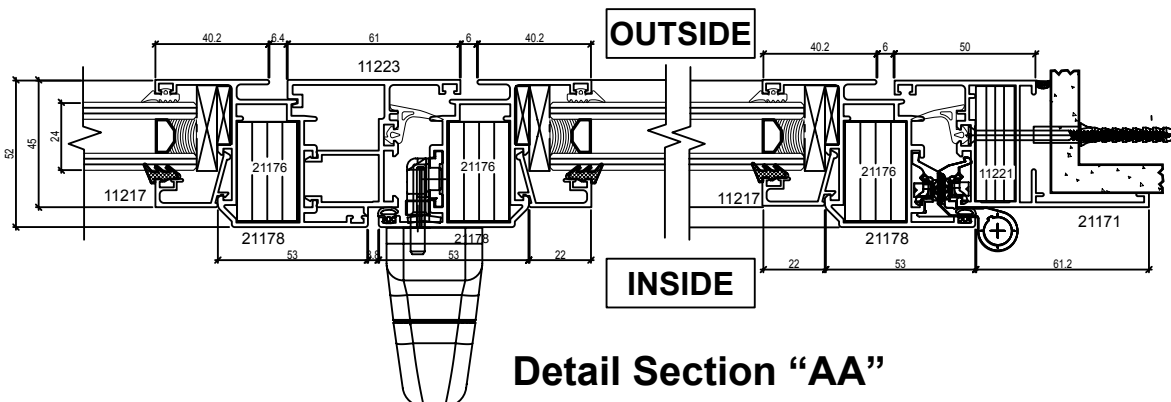


**OUTSIDE**

**INSIDE**

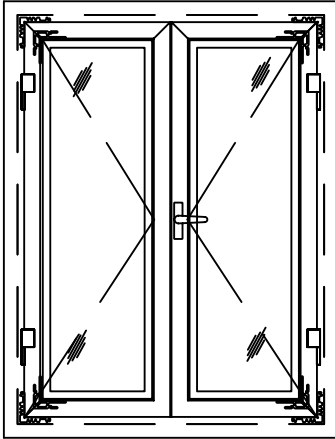


**Detail Section "BB"**

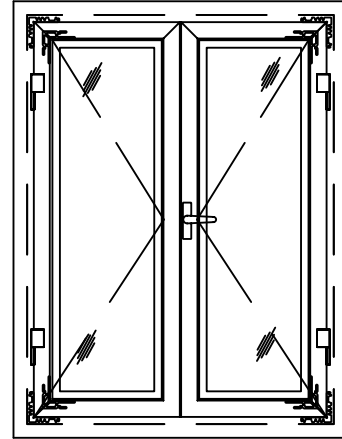


**Detail Section "AA"**

## Casement N45 - Cross Section



Side Hung Window Internal Opening



Side Hung Window Internal Opening ( Concealed )

### Mandatory Accessories

Accessories code	Description	Qty
00120U	Fish base hinge	4
01000U / #	Prima Cremona	1
02387K	Connection block	1
02114K	Rod Terminal	2
01339K	Double Striker	2
02125K	Giap Bolt	2

### Additional Accessories ( H > 1200 W > 1000 )

04030K	Adjustable Pawl	4
01343K	Striker	4
04019K	Corner Drive	2

### Optional Accessories

00115	3 leaf hinge	4
02030K	Friz Limiter arm	1

### Mandatory Accessories

Accessories code	Description	Qty
043540001	CHIC hinge (Right)	1
043540002	CHIC hinge (Left)	1
01000U / #	Prima Cremona	1
02387K	Connection block	1
02114K	Rod Terminal	2
01339K	Double Striker	2
02125K	Giap Bolt	2

### Additional Accessories ( H > 1200 W > 1000 )

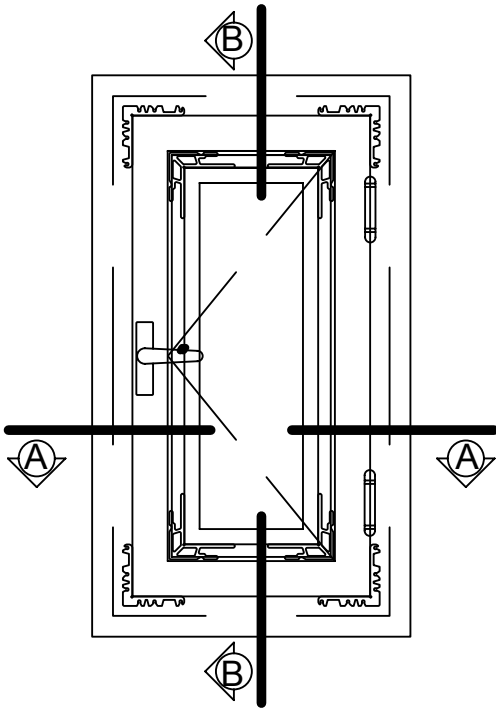
04030K	Adjustable Pawl	4
01343K	Striker	4
04019K	Corner Drive	2

### Optional Accessories

02030K	Friz Limiter arm	1
--------	------------------	---

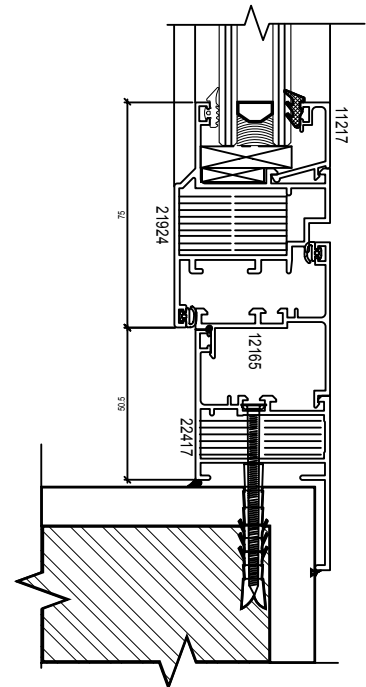
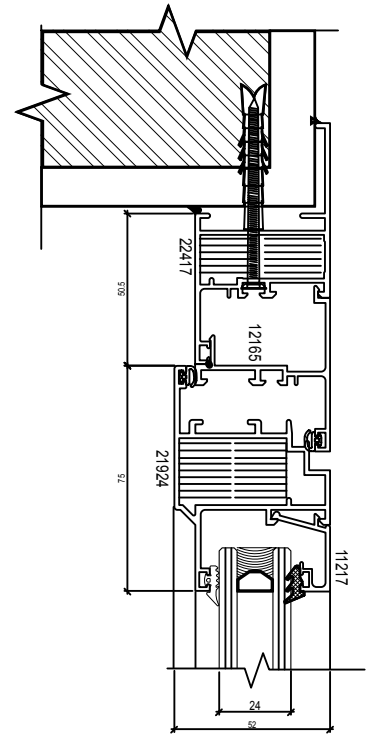
# - Additional cremone design can be selected from main Accessories list (Page ---)

# Casement N45 - Cross Section

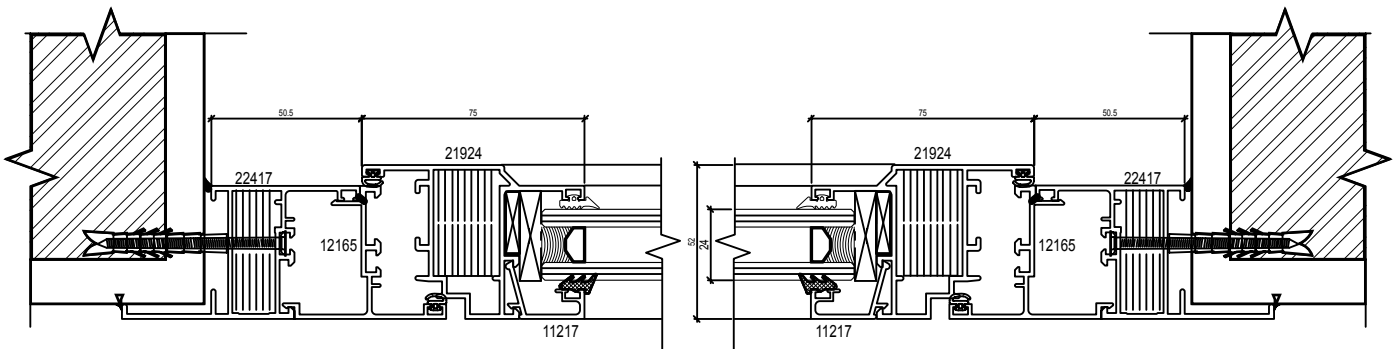


**Inside Elevation**

PROFILES		
Description	Shape	Section No.
Frame		22417
Sash		21924
Reverse		12165
Glazing bead		11217
Corner Cleat		11221
Corner Cleat		20960

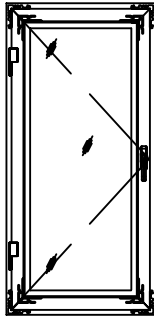


**Detail Section "BB"**



**Detail Section "AA"**

# Casement N45 - Cross Section

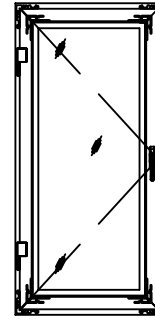


Side Hung Window External Opening With Bridge Hinge

**Mandatory Accessories**

Accessories code	Description	Qty
00600X - #	Bridge hinge	2
01150	Unica Cremona	1
02409	45mm Fork	1
04099	Motion Transmission Element	1
04019K	Corner Drive	2
04030K	Adjustable Pawl	4
01343K	Striker	4
02030K	Friz Limiter arm	1

# - Check With Giesse Team before suggest the hinged for multi story building



Side Hung Window External Opening With Euro Groove Arm

**Mandatory Accessories**

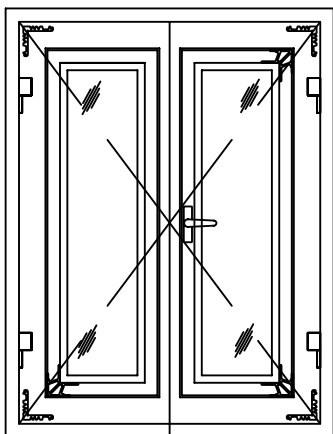
Accessories code	Description	Qty
08349 - #	GS HD Type Euro Groove 650 x 1500	1
08350 - #	GS HD Type Euro Groove 700 x 1600	1
01150	Unica Cremona	1
02409	45mm Fork	1
04099	Motion Transmission Element	1
04019K	Corner Drive	2
04030K	Adjustable Pawl	4
01343K	Striker	4
02030K	Friz Limiter arm	1

# - Check With Giesse Team before suggest the hinged for multi story building

# - Additional cremone design can be selected from main Accessories list (Page ---)



## Casement N45 - Cross Section

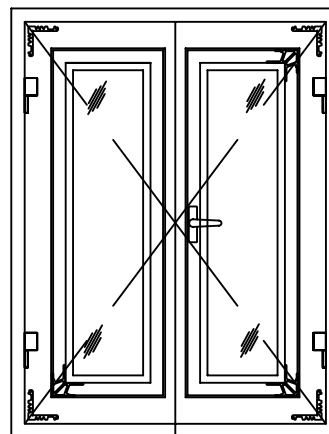


Side Hung Window External Opening With Bridge Hinge

### Mandatory Accessories

Accessories code	Description	Qty
00600X - #	Bridge hinge	4
01150	Unica Cremone	1
02409	45mm Fork	1
04099	Motion Transmition Element	1
04019K	Corner Drive	2
04030K	Adjustable Pawl	4
01343K	Striker	4
02030K	Friz Limiter arm	1
01339K	Double Striker	2
02125K	Giap Bolt	2

# - Check With Giesse Team before suggest the hinged for multi story building



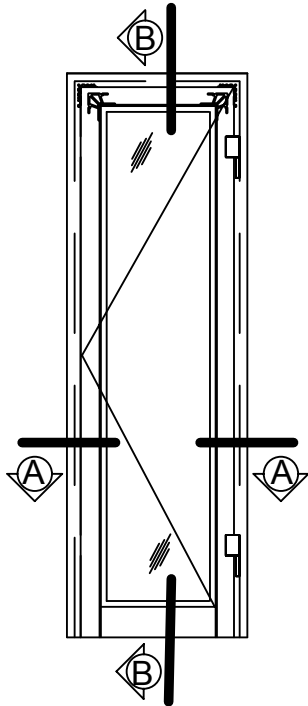
Side Hung Window External Opening With Bridge Hinge

### Mandatory Accessories

Accessories code	Description	Qty
08349 - #	GS HD Type Euro Groove 10" - 650 x 1500	1
08350 - #	GS HD Type Euro Groove 16" - 700 x 1600	
01150	Unica Cremone	1
02409	45mm Fork	1
04099	Motion Transmition Element	1
04019K	Corner Drive	2
04030K	Adjustable Pawl	4
01343K	Striker	4
02030K	Friz Limiter arm	1
01339K	Double Striker	2
02125K	Giap Bolt	2

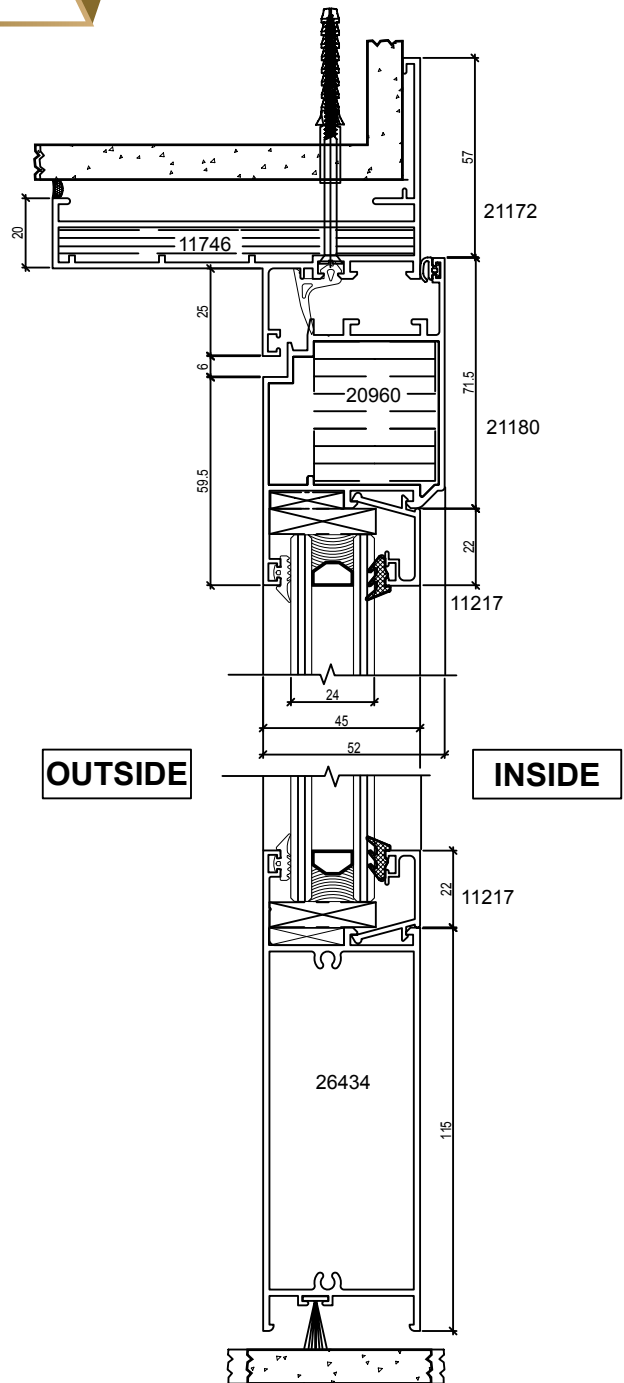
# - Check With Giesse Team before suggest the hinged for multi story building

# Casement N45 - Cross Section

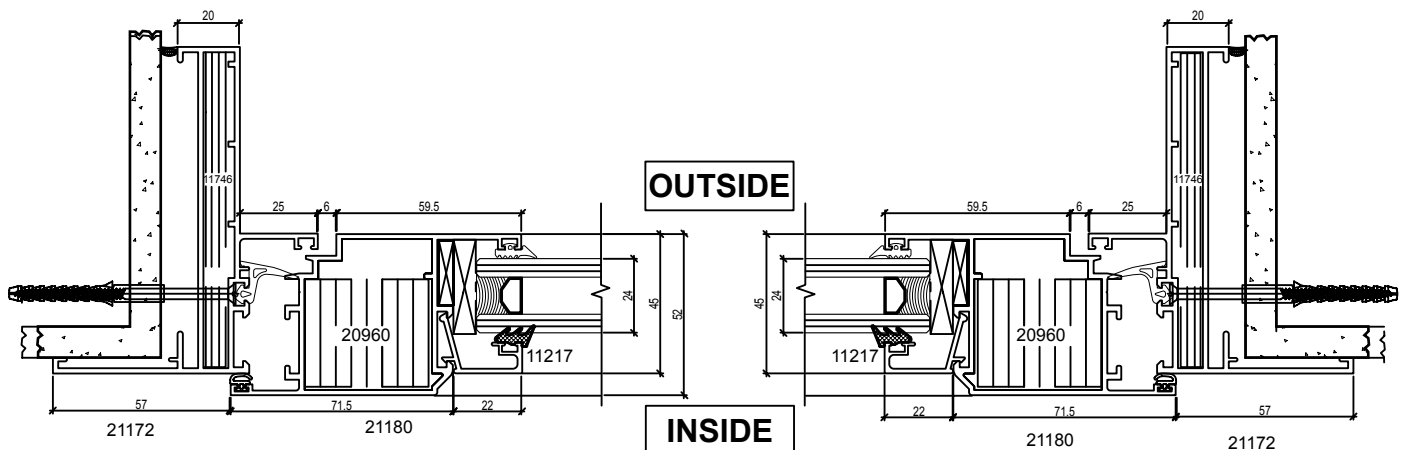


**Inside Elevation**

PROFILES		
Description	Shape	Section No.
Frame		21172
Sash		21180
Glazing bead		11217
Door Bottom		26434
Adaptor		11223
Corner Cleat		11746
Corner Cleat		20960

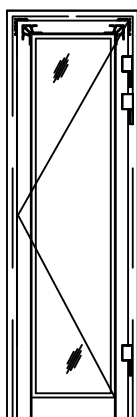


**Detail Section "BB"**



**Detail Section "AA"**

# Casement N45 - Cross Section



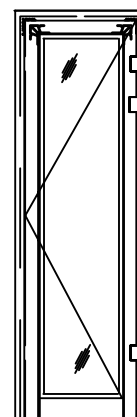
Elevation ( Max 100 KG )

### Mandatory Accessories

Accessories code	Description	Qty
00600X	Bridge hinge (Max: W1500 x H2500)	3
02792	Prima Plus Door handle	1
04628	35mm Door lock	1
04492N	Cylinder 30 / 45	1
02430N	Cover for Cylinder	1
04630	Counter plate	1

### Optional Accessories

02414	Asia Door handle	1
02563	KORA Door handle	1
02422	Master Plus Door handle	1



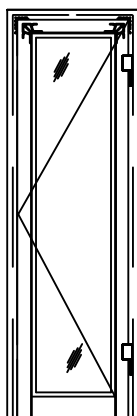
Elevation ( Max 120 KG )

### Mandatory Accessories

Accessories code	Description	Qty
00535V	Flash XL hinge (Max: W1800 x H3000)	3
02792	Prima Plus Door handle	1
04628	35mm Door lock	1
04492N	Cylinder 30 / 45	1
02430N	Cover for Cylinder	1
04630	Counter plate	1

### Optional Accessories

02414	Asia Door handle	1
02563	KORA Door handle	1
02422	Master Plus Door handle	1



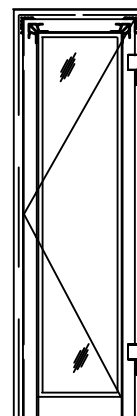
Elevation ( Max 120 KG )

### Mandatory Accessories

Accessories code	Description	Qty
00568	Linea 3D hinge (Max: W1800 x H3000)	2
00589	Linea 3D hinge Cover	2
02792	Prima Plus Door handle	1
04628	35mm Door lock	1
04492N	Cylinder 30 / 45	1
02430N	Cover for Cylinder	1
04630	Counter plate	1

### Optional Accessories

02414	Asia Door handle	1
02563	KORA Door handle	1
02422	Master Plus Door handle	1



Elevation ( Max 160 KG )

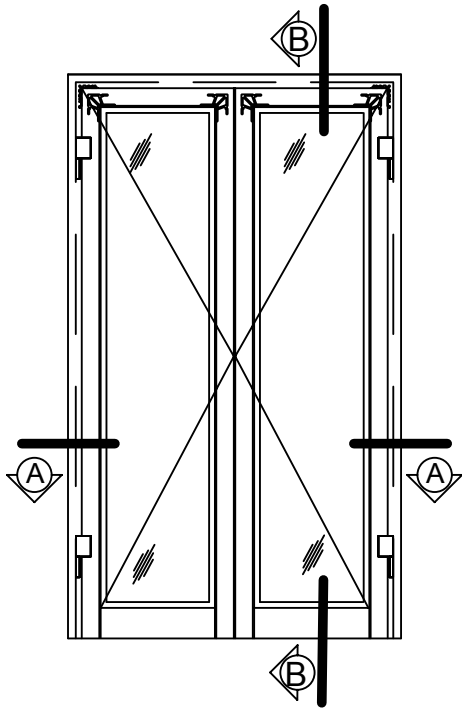
### Mandatory Accessories

Accessories code	Description	Qty
00598	Flash XXL hinge (Max: W1800 x H3000)	2
00599	Flash XXL hinge Cover	2
02792	Prima Plus Door handle	1
04628	35mm Door lock	1
04492N	Cylinder 30 / 45	1
02430N	Cover for Cylinder	1
04630	Counter plate	1

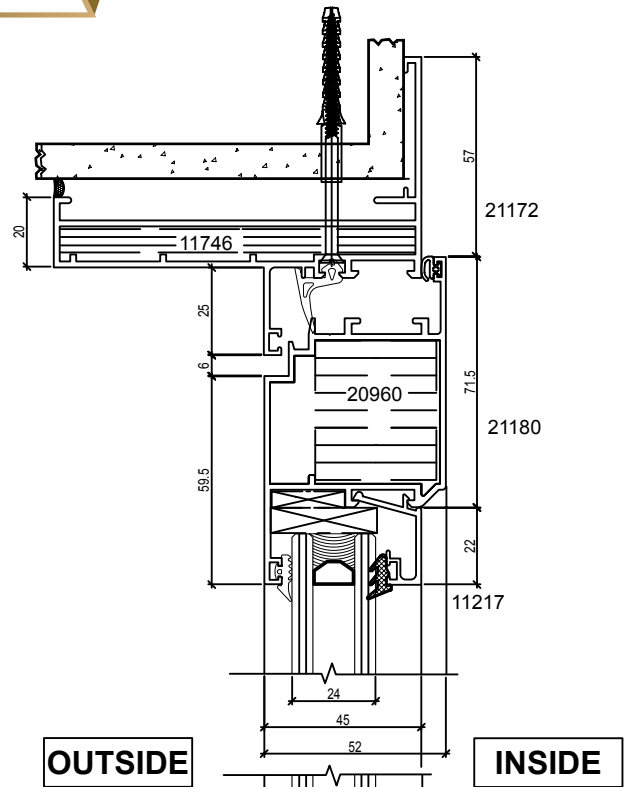
### Optional Accessories

02414	Asia Door handle	1
02563	KORA Door handle	1
02422	Master Plus Door handle	1

# Casement N45 - Cross Section



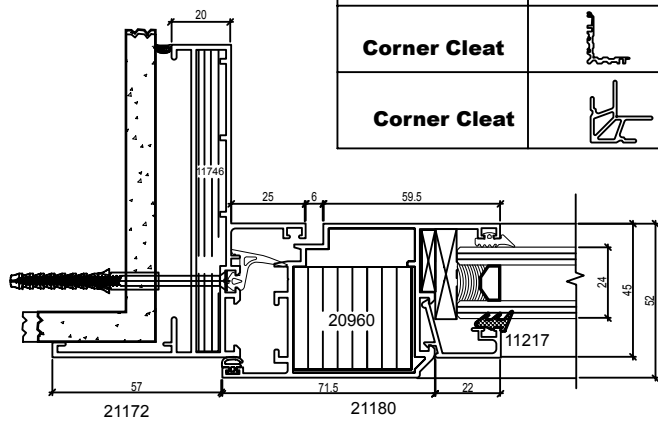
**Inside Elevation**



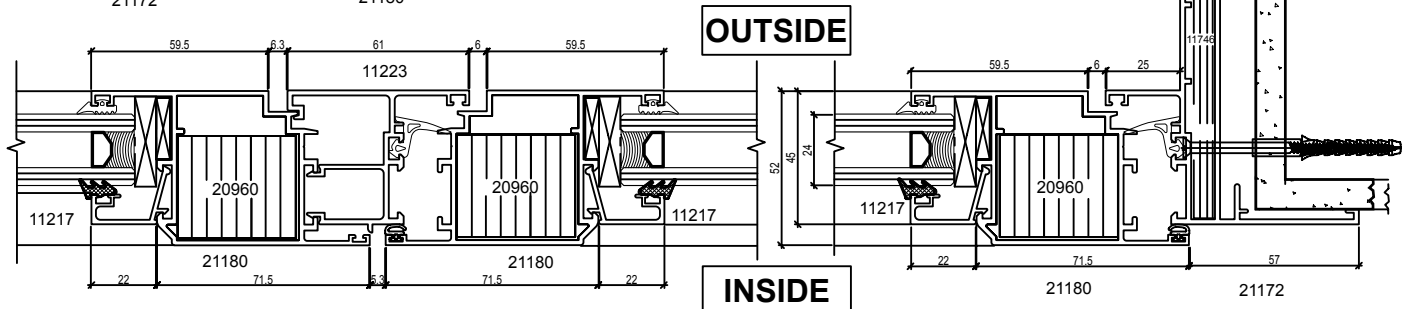
**OUTSIDE**

**INSIDE**

PROFILES		
Description	Shape	Section No.
Frame		21172
Sash		21180
Glazing bead		11217
Door Bottom		26434
Adaptor		11223
Corner Cleat		11746
Corner Cleat		20960



**Detail Section "BB"**

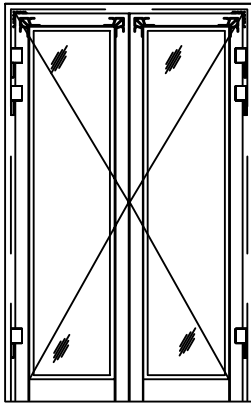


**OUTSIDE**

**INSIDE**

**Detail Section "AA"**

## Casement N45 - Cross Section



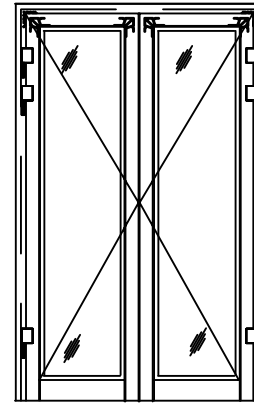
Elevation ( Max 100 KG )

### Mandatory Accessories

Accessories code	Description	Qty
00600X	Bridge hinge (Max: W1500 x H2500)	6
02792	Prima Plus Door handle	1
04628	35mm Door lock	1
04492N	Cylinder 30 / 45	1
02430N	Cover for Cylinder	1
04630	Counter plate	1
02074	Totem Bolt	2
02144	Threshold bushing	1
01314	Rod Striker	1

### Optional Accessories

02414	Asia Door handle	1
02563	KORA Door handle	1
02422	Master Plus Door handle	1



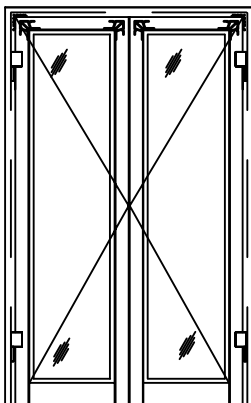
Elevation ( Max 120 KG )

### Mandatory Accessories

Accessories code	Description	Qty
00535V	Flash XL hinge (Max: W1800 x H3000)	6
02792	Prima Plus Door handle	1
04628	35mm Door lock	1
04492N	Cylinder 30 / 45	1
02430N	Cover for Cylinder	1
04630	Counter plate	1
02074	Totem Bolt	2
02144	Threshold bushing	1
01314	Rod Striker	1

### Optional Accessories

02414	Asia Door handle	1
02563	KORA Door handle	1
02422	Master Plus Door handle	1



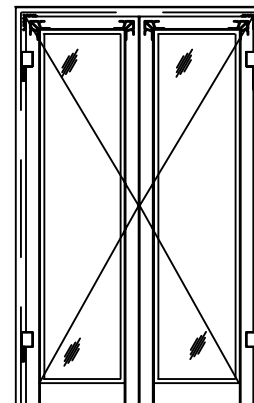
Elevation ( Max 120 KG )

### Mandatory Accessories

Accessories code	Description	Qty
00568	Linea 3D hinge (Max: W1800 x H3000)	4
00589	Linea 3D hinge Cover	4
02792	Prima Plus Door handle	1
04628	35mm Door lock	1
04492N	Cylinder 30 / 45	1
02430N	Cover for Cylinder	1
04630	Counter plate	1
02074	Totem Bolt	2
02144	Threshold bushing	1
01314	Rod Striker	1

### Optional Accessories

02414	Asia Door handle	1
02563	KORA Door handle	1
02422	Master Plus Door handle	1



Elevation ( Max 160 KG )

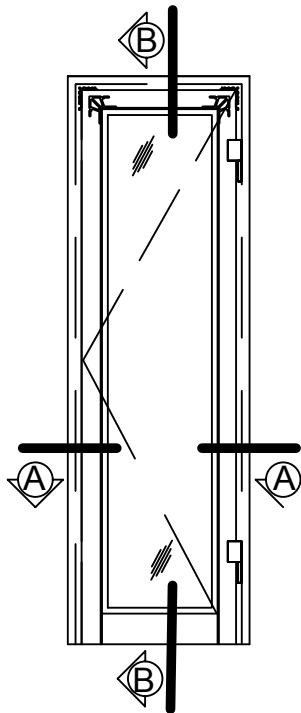
### Mandatory Accessories

Accessories code	Description	Qty
00598	Flash XXL hinge (Max: W1800 x H3000)	4
00599	Flash XXL hinge Cover	4
02792	Prima Plus Door handle	1
04628	35mm Door lock	1
04492N	Cylinder 30 / 45	1
02430N	Cover for Cylinder	1
04630	Counter plate	1
02074	Totem Bolt	2
02144	Threshold bushing	1
01314	Rod Striker	1

### Optional Accessories

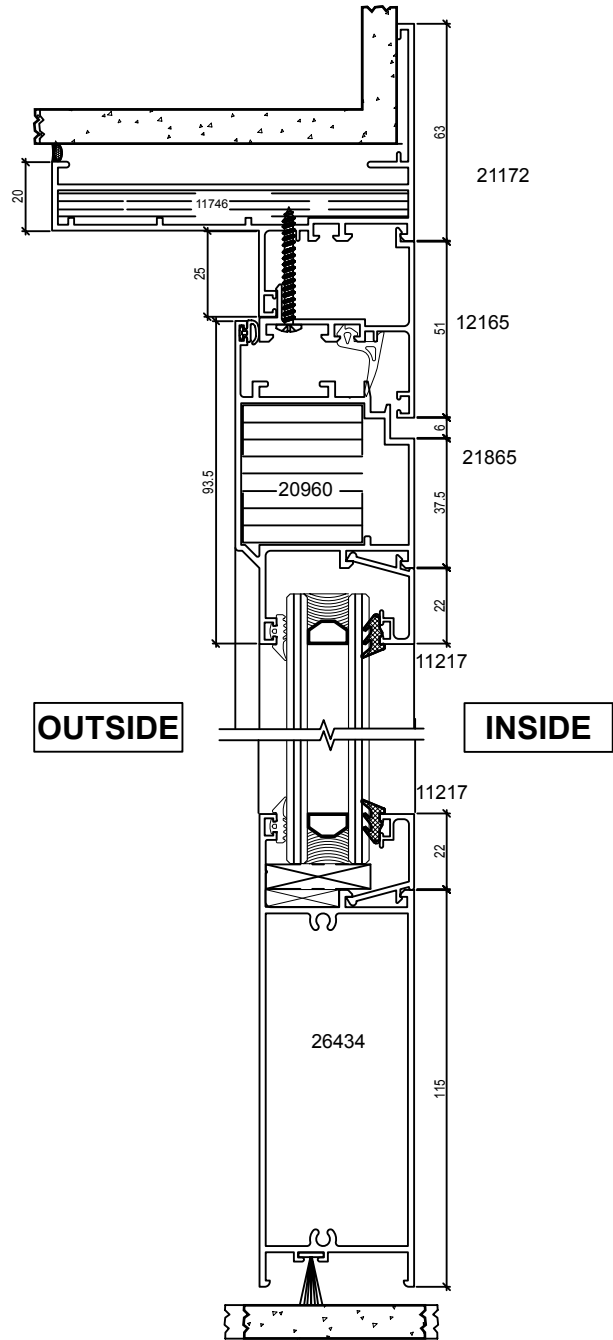
02414	Asia Door handle	1
02563	KORA Door handle	1
02422	Master Plus Door handle	1

# Casement N45 - Cross Section

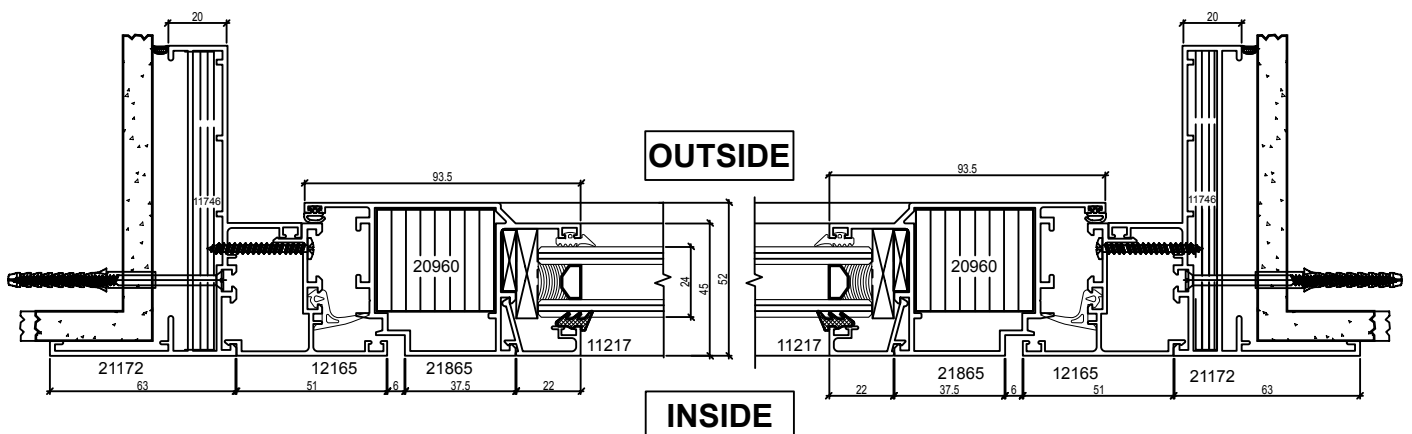


Inside Elevation

PROFILES		
Description	Shape	Section No.
Frame		21172
Sash		21865
Glazing bead		11217
Door Bottom		26434
Adaptor		11223
Adaptor		12165
Corner Cleat		11746
Corner Cleat		20960

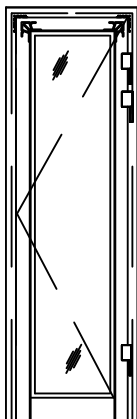


Detail Section "BB"



Detail Section "AA"

## Casement N45 - Cross Section



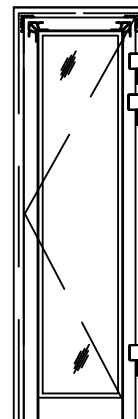
Elevation ( Max 100 KG )

### Mandatory Accessories

Accessories code	Description	Qty
00600X	Bridge hinge (Max: W1500 x H2500)	3
02792	Prima Plus Door handle	1
04628	35mm Door lock	1
04492N	Cylinder 30 / 45	1
02430N	Cover for Cylinder	1
04630	Counter plate	1

### Optional Accessories

02414	Asia Door handle	1
02563	KORA Door handle	1
02422	Master Plus Door handle	1



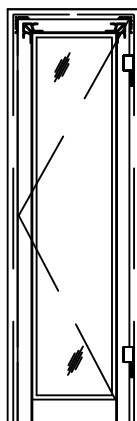
Elevation ( Max 120 KG )

### Mandatory Accessories

Accessories code	Description	Qty
00535V	Flash XL hinge (Max: W1800 x H3000)	3
02792	Prima Plus Door handle	1
04628	35mm Door lock	1
04492N	Cylinder 30 / 45	1
02430N	Cover for Cylinder	1
04630	Counter plate	1

### Optional Accessories

02414	Asia Door handle	1
02563	KORA Door handle	1
02422	Master Plus Door handle	1



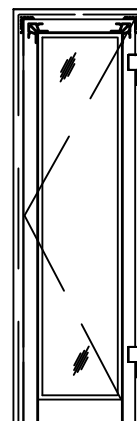
Elevation ( Max 120 KG )

### Mandatory Accessories

Accessories code	Description	Qty
00568	Linea 3D hinge (Max: W1800 x H3000)	2
00589	Linea 3D hinge Cover	2
02792	Prima Plus Door handle	1
04628	35mm Door lock	1
04492N	Cylinder 30 / 45	1
02430N	Cover for Cylinder	1
04630	Counter plate	1

### Optional Accessories

02414	Asia Door handle	1
02563	KORA Door handle	1
02422	Master Plus Door handle	1



Elevation ( Max 160 KG )

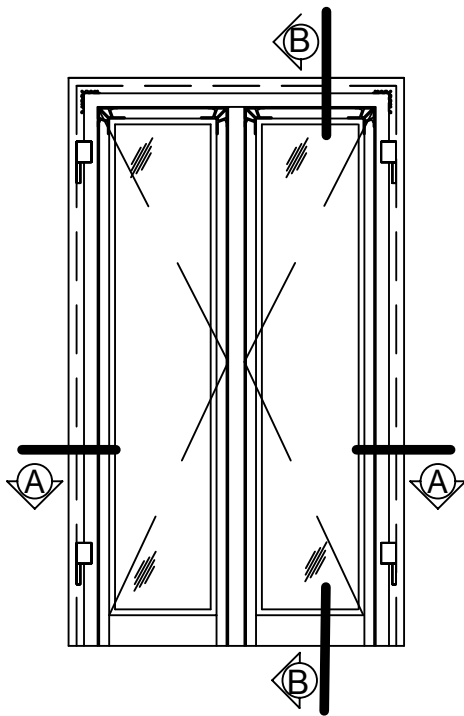
### Mandatory Accessories

Accessories code	Description	Qty
00598	Flash XXL hinge (Max: W1800 x H3000)	2
00599	Flash XXL hinge Cover	2
02792	Prima Plus Door handle	1
04628	35mm Door lock	1
04492N	Cylinder 30 / 45	1
02430N	Cover for Cylinder	1
04630	Counter plate	1

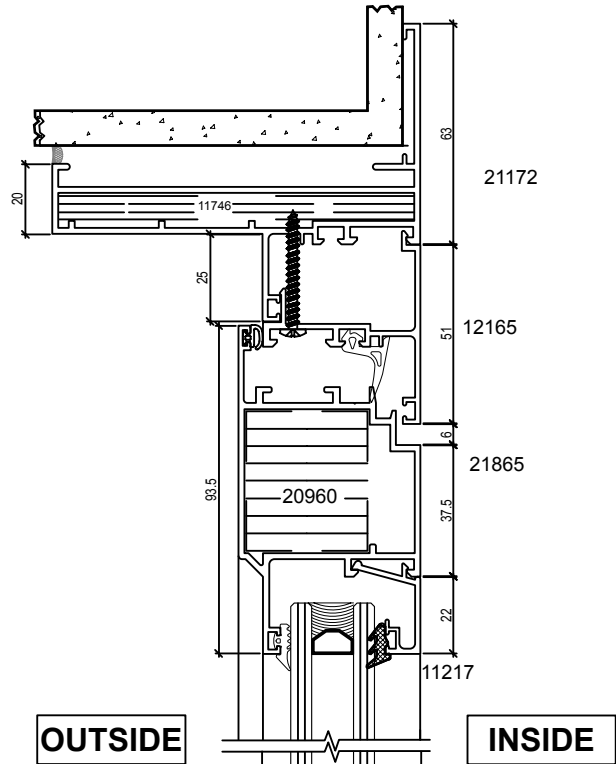
### Optional Accessories

02414	Asia Door handle	1
02563	KORA Door handle	1
02422	Master Plus Door handle	1

# Casement N45 - Cross Section



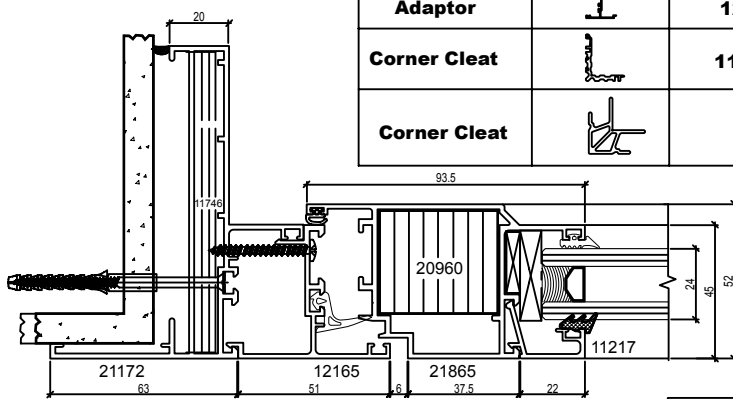
**Inside Elevation**



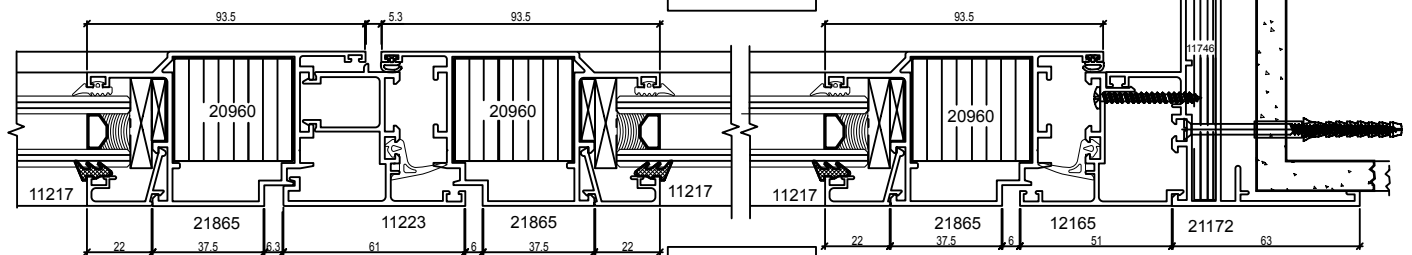
**OUTSIDE**

**INSIDE**

PROFILES		
Description	Shape	Section No.
Frame		21172
Sash		21865
Glazing bead		11217
Door Bottom		26434
Adaptor		11223
Adaptor		12165
Corner Cleat		11746
Corner Cleat		20960



**OUTSIDE**

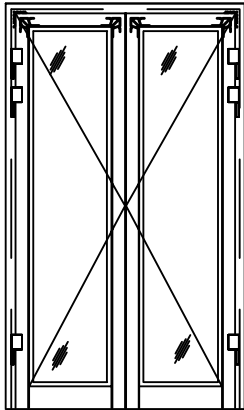


**INSIDE**

**Detail Section "BB"**

**Detail Section "AA"**

## Casement N45 - Cross Section



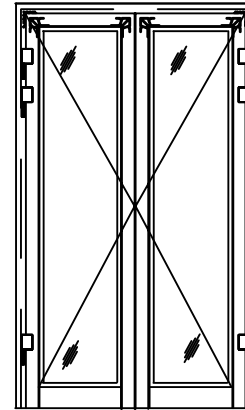
Elevation ( Max 100 KG )

### Mandatory Accessories

Accessories code	Description	Qty
00600X	Bridge hinge (Max: W1500 x H2500)	6
02792	Prima Plus Door handle	1
04628	35mm Door lock	1
04492N	Cylinder 30 / 45	1
02430N	Cover for Cylinder	1
04630	Counter plate	1
02074	Totem Bolt	2
02144	Threshold bushing	1
01314	Rod Striker	1

### Optional Accessories

02414	Asia Door handle	1
02563	KORA Door handle	1
02422	Master Plus Door handle	1



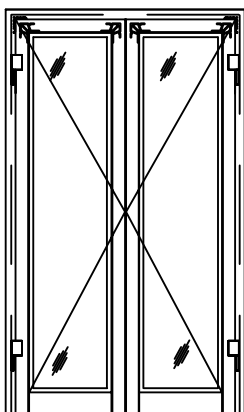
Elevation ( Max 120 KG )

### Mandatory Accessories

Accessories code	Description	Qty
00535V	Flash XL hinge (Max: W1800 x H3000)	6
02792	Prima Plus Door handle	1
04628	35mm Door lock	1
04492N	Cylinder 30 / 45	1
02430N	Cover for Cylinder	1
04630	Counter plate	1
02074	Totem Bolt	2
02144	Threshold bushing	1
01314	Rod Striker	1

### Optional Accessories

02414	Asia Door handle	1
02563	KORA Door handle	1
02422	Master Plus Door handle	1



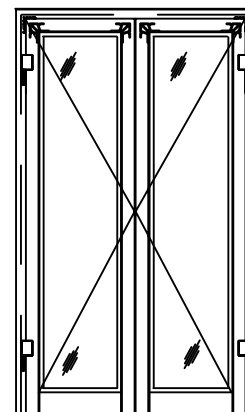
Elevation ( Max 120 KG )

### Mandatory Accessories

Accessories code	Description	Qty
00568	Linea 3D hinge (Max: W1800 x H3000)	4
00589	Linea 3D hinge Cover	4
02792	Prima Plus Door handle	1
04628	35mm Door lock	1
04492N	Cylinder 30 / 45	1
02430N	Cover for Cylinder	1
04630	Counter plate	1
02074	Totem Bolt	2
02144	Threshold bushing	1
01314	Rod Striker	1

### Optional Accessories

02414	Asia Door handle	1
02563	KORA Door handle	1
02422	Master Plus Door handle	1



Elevation ( Max 160 KG )

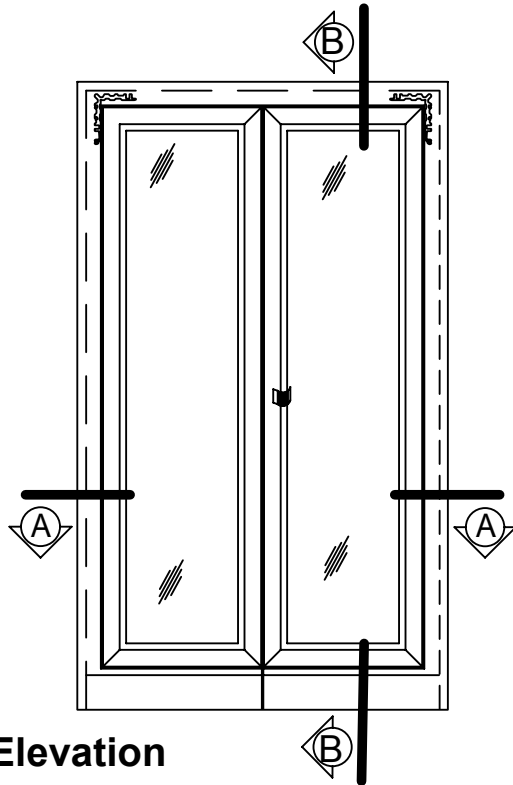
### Mandatory Accessories

Accessories code	Description	Qty
00598	Flash XXL hinge (Max: W1800 x H3000)	4
00599	Flash XXL hinge Cover	4
02792	Prima Plus Door handle	1
04628	35mm Door lock	1
04492N	Cylinder 30 / 45	1
02430N	Cover for Cylinder	1
04630	Counter plate	1
02074	Totem Bolt	2
02144	Threshold bushing	1
01314	Rod Striker	1

### Optional Accessories

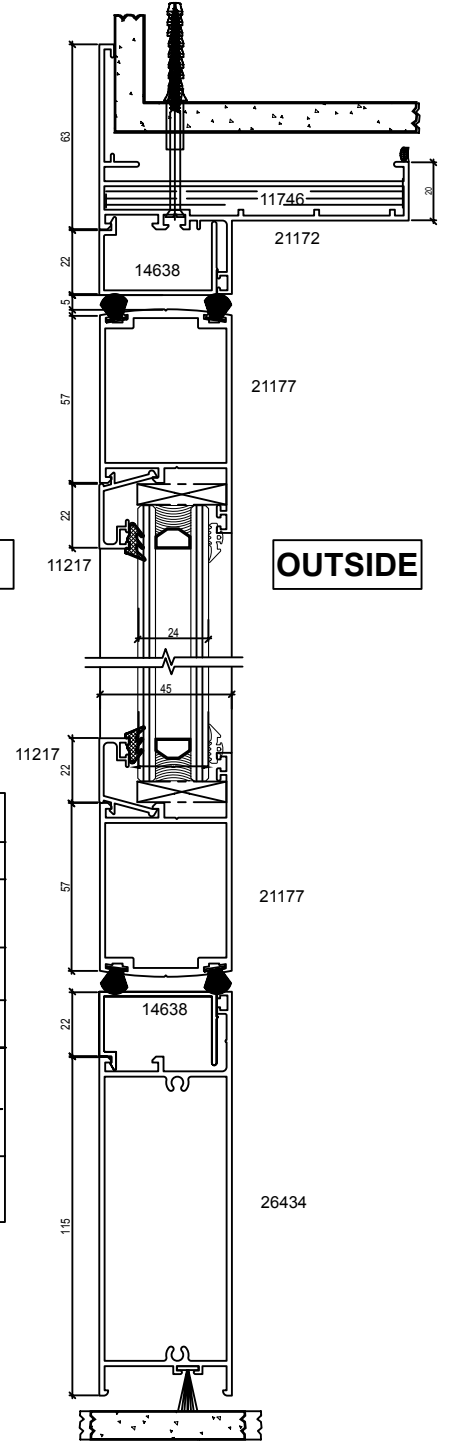
02414	Asia Door handle	1
02563	KORA Door handle	1
02422	Master Plus Door handle	1

# Casement N45 - Cross Section



Inside Elevation

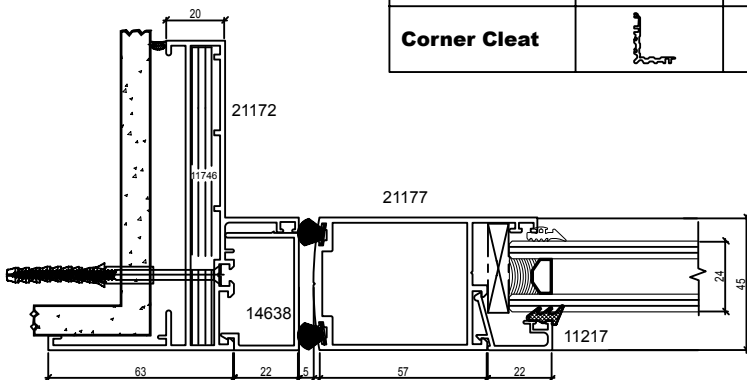
INSIDE



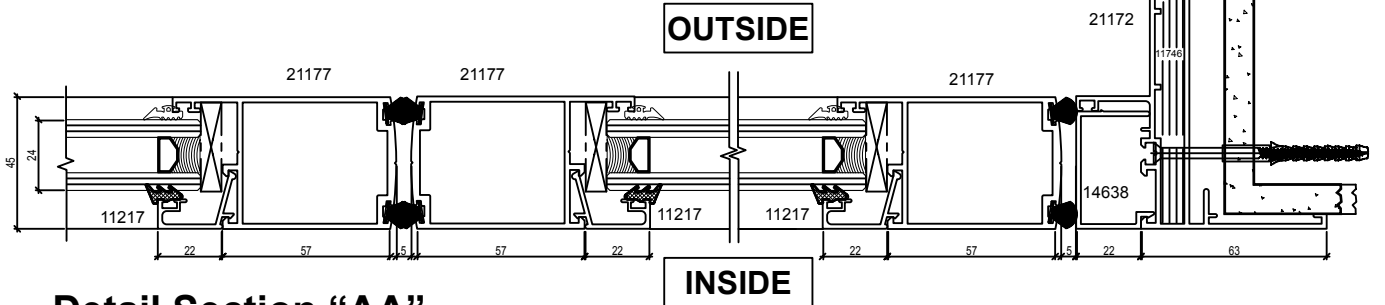
OUTSIDE

Detail Section "BB"

PROFILES		
Description	Shape	Section No.
Frame		21172
Sash		21177
Glazing bead		11217
Door Bottom		26434
Adaptor		14638
Corner Cleat		11746



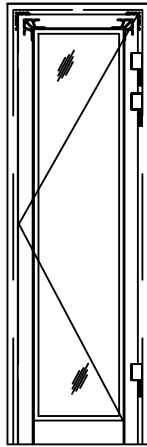
OUTSIDE



INSIDE

Detail Section "AA"

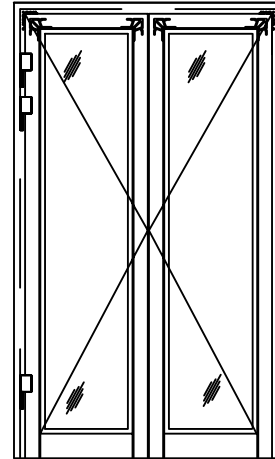
## Casement N45 - Cross Section



Elevation Single Leaf

### Mandatory Accessories

Accessories code	Description	Qty
02603	Bike Double Curved Polyamide Handle	2
02668	Bike Handle fixing Kit	1
04618	35mm Door lock Roller Latch	1
07682	Cylinder 35 / 35	1
07058N	Cover for Cylinder	1
04859	Counter plate	1

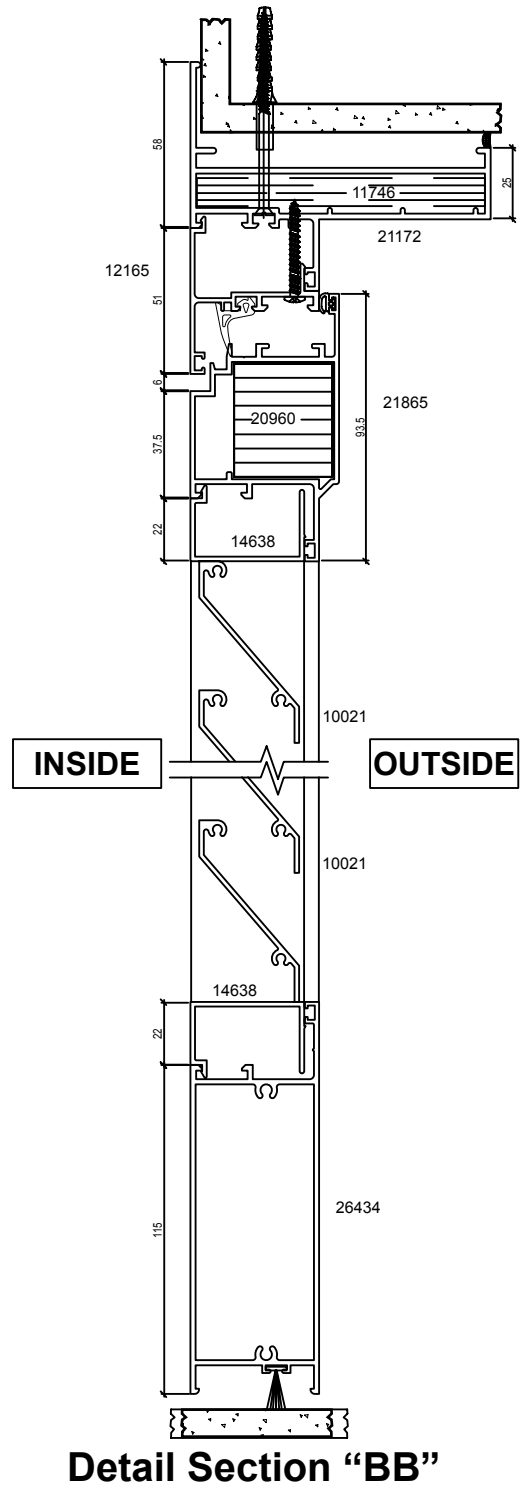
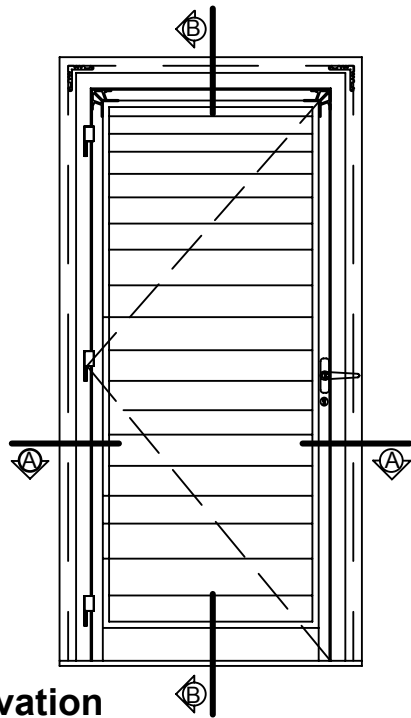


Elevation Double Leaf

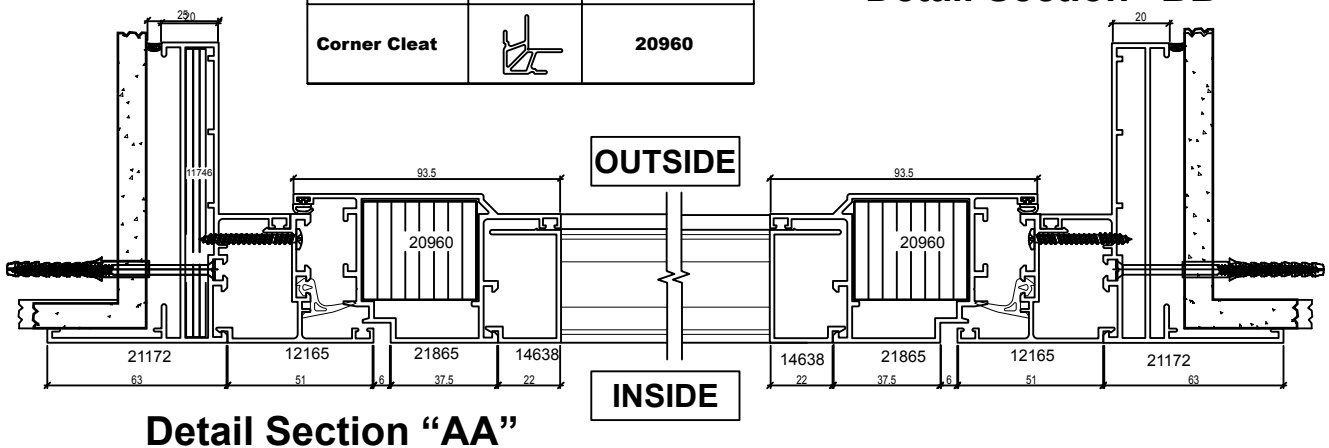
### Mandatory Accessories

Accessories code	Description	Qty
02603	Bike Double Curved Polyamide Handle	4
02668	Bike Handle fixing Kit	2
04618	35mm Door lock Roller latch	1
07682	Cylinder 35 / 35	1
07058N	Cover for Cylinder	1
04859	Counter plate	1
02150	Pesos Bolt	2
02144	Threshold bushing	1

# Casement N45 - Cross Section

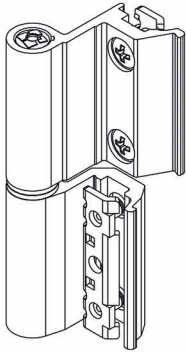


PROFILES		
Description	Shape	Section No.
Frame		21172
Sash		21865
Bottom		26434
Interlock		12165
Glazing bead		14366
Louver		10021
Used with the louver		14638
Corner Cleat		11221
Corner Cleat		20960



### FLASH BASE HINGE

00120U



#### Functions

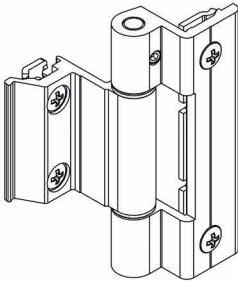
Reversible-hinge for aluminum casement window and door fixtures with central gasket seal. Has the same reliability and precision requirements as conventional GIESSE hinges and can be fitted very quickly to the window, even when it is already assembled.

#### Capacities

With 2 Flash Base Hinges: 75 KG  
With 3 Flash Base Hinges: 85 KG  
Assuming Fixtures of 2000mm Height and 1000mm Width

### BRIDGE 2 HINGE

00600N



#### Functions

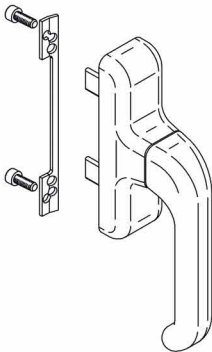
Clamp hinge for lightweight windows and door fixtures made with channel profile.

#### Capacities

90 KG with 2 hinges  
100 KG with 3 hinges

### EURO CREMONE

01000U

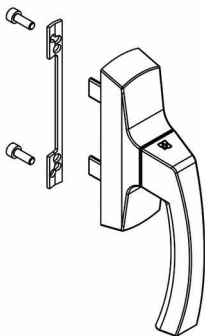


#### Functions

Reversible cremone handle for central gasket systems, with 90° rotation and opening / closing positioning notch.

### ASIA CREMONE FOR SASH

01076

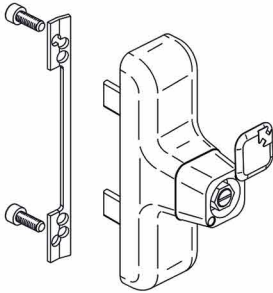


#### Functions

Reversible cremone for operation GIESSE Sash mechanisms.

## EURO AWAY CREMONE

01001

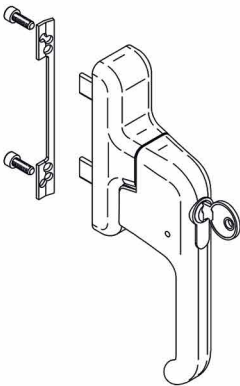


### Functions

Reversible cremone handle for central gasket systems, with rotation 90° and opening / closing positioning notch. Allows the operation of doors and windows and removal of the handle for security reasons.

## EURO KEY CREMONE

01002

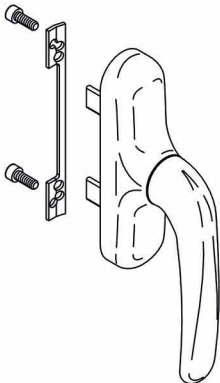


### Functions

Reversible cremone with key lockable handle, produced for central gasket systems, with 90° rotation and opening / closing positioning notch.

## PRIMA CREMONE

01024U

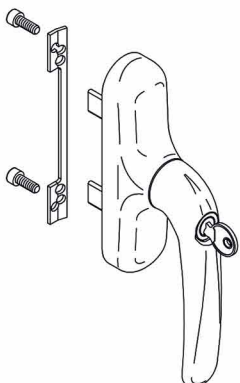


### Functions

Reversible cremone handle for central gasket systems, with 90° handle rotation and opening / closing positioning notch.

## PRIMA KEY CREMONE

01012

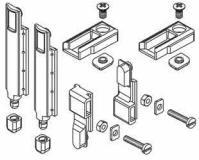


### Functions

Reversible cremone with key lockable handle, produced for central gasket systems, with 90° rotation opening / closing positioning notch. Maintains the functional characteristics of the EURO cremone handle with a different styling line.

## SASH FASTENING SYSTEM

02270

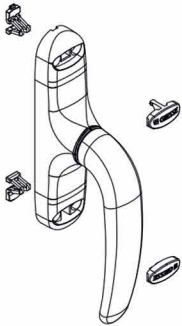


### Functions

Connection kit and fastening mechanism for sash, to be combined with EURO (art. 01000) and NOVA (art. 01004) cremone handles

## UNICA SYSTEM CREMONE

01150001

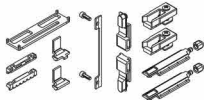


### Functions

Cremone with no internal components.  
Depending on need, it can be transformed into a Cremone for inward opening, outward opening casement or tilt & turn by using the specific kits (also supplied complete with the lock points).

## KIT FOR OUTWARD OPENING UNICA SYSTEM

04070

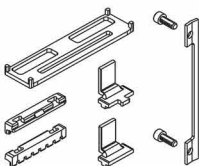


### Functions

Kit to combine with UNICA (art. 01150) and UNICA KEY (art. 01151) cremone handles.  
Composed of all necessary components to make the sash fastening mechanism.

## KIT FOR OUTWARD OPENING UNICA SYSTEM

04080

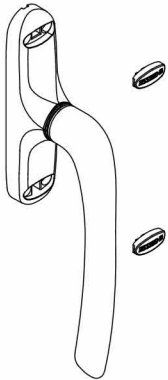


### Functions

Kit to combine with UNICA (art. 01150) and UNICA KEY (art. 01151) cremone handles.  
Specifically designed for inward opening.

## UNICA SYSTEM CREMONE WITH 172mm HANDLE

**01125001**

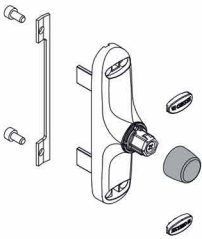


### Functions

Cremone with no internal components.  
Depending on need, it can be transformed into a Cremone for inward opening, outward opening casement or tilt & turn by using the specific kits (also supplied complete with the lock points).

## UNICA INWARD-OPENING CREMONE-AWAY

**01138**

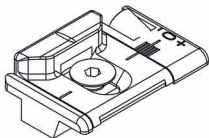


### Functions

Reversible cremone handle, with removable pull handle supplied separately, for operating the Giesse mechanisms. Ideal for hospitals, schools and all other locations in which operation of the casements is not to be left to the discretion of the end user.

## FUTURA AD JUSTABLE STRIKER

**01353K**

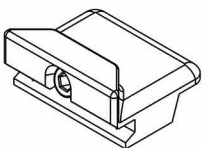


### Functions

Strike specifically designed for use with fixed (art. 04027K) or adjustable (art.04030K) fastener pawl

## STRIKER FOR ADJUSTABLE FASTENER PAWL

**01343K**



### Functions

Striker specifically designed for use with adjustable fastener pawl (art. 04030K)

## FUTURA FIXED PAWL

04027K

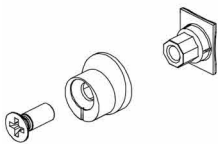


### Functions

Fixed pawl, to be combined with adjustable striker, required to create supplementary locking points in addition to those already supplied with the basic mechanism.

## ADJUSTABLE LOCKING PAWL

04030K

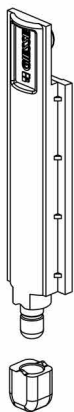


### Functions

Closing element to be fitted directly on the rods in the series.

## FUTURA TERMINAL FOR RODS

02114K



### Functions

Polyamide terminal for rods with pin for fixing sashes to the frame cross-beams

## GIAP BOLT

02125K

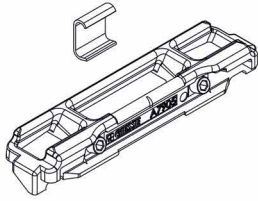


### Functions

Polyamide bolt composed of an actuator and terminal with pin for direct fixing to the floor. Ideal for side-hung doors and windows in aluminum with central gasket.

### FUTURA ZAMAK DOUBLE STRIKER

01349K

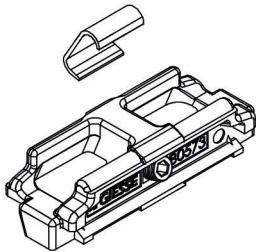


#### Functions

Component produced for application to the top and bottom part of the frame of fixtures with one or more sashes, having the function of accommodation GIESSE bolt tips and terminals, or appropriately machined operation rods (prepared on Giesse automatic machines).

### FUTURA SINGLE STRIKER

01348K

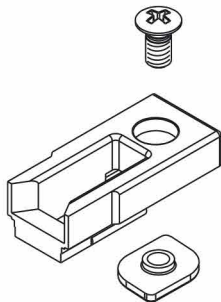


#### Functions

Component produced for application to the top and bottom part of the frame of fixtures with one or more sashes, having the function of accommodating GIESSE bolt tips and terminals, or appropriately machined operating rods.

### FUTURA AD JUSTABLE STRIKER

01353K

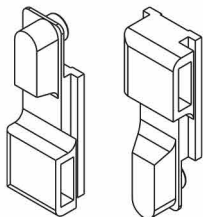


#### Functions

Component produced for application to the top and bottom part of the frame of fixtures with one or more sashes, having the function of accommodating GIESSE bolt tips and terminals, or appropriately machined operating rods.

### 3RD FASTENING MECHANISM AND DOUBLE STRIKER

01322K

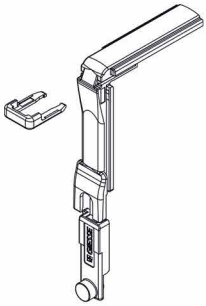


#### Functions

Polyamide reversible components for the connection between the cremones and the rods of the profile of the central gasket aluminum sash window.

## CORNER DIRVE GROOVE 15/20 FUTURA

04019K



### Functions

Component for moving the hardware from the cremone side to the upper and / or lower cross beam

## FUTURA CORNER DRIVE

04020K



### Functions

Corner drive allowing the transfer of the movement from the upright to the cross-beam of the fixture and vice versa.

## FRIZ STAY LIMITATION ARM

02030K

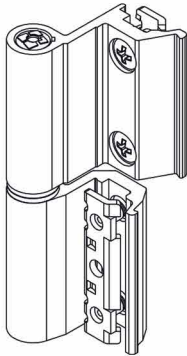


### Functions

Accessory utilised to limit opening of the sash when movement of the sash is restricted by obstacles such as uprights or walls.

## FLASH BASE HINGE

**00120U**



### Functions

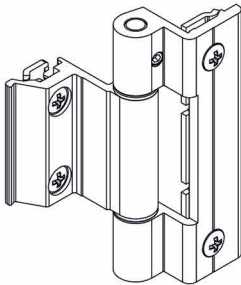
Reversible-hinge for aluminium casement window and door fixtures with central gasket seal. Has the same reliability and precision requirements as conventional GIESSE hinges and can be fitted very quickly to the window, even when it is already assembled.

### Capacities

With 2 FLASH BASE hinges: 75 KG  
With 3 FLASH BASE hinges: 85 KG  
assuming fixtures of 2000mm height and 1000mm width.

## BRIDGE 2 HINGE

**00600N**



### Functions

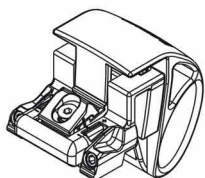
Clamp hinge for lightweight windows and door fixtures made with channel profile.

### Capacities

90KG with 2 hinges  
100KG with 3 hinges

## TWIN CATCH

**01704**

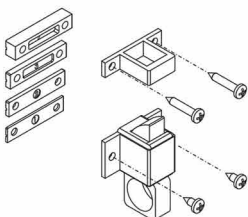


### Functions

Device for closing bottom-hung windows for front mounting, it requires no machining on the profile.

## BRISBI CATCH

**01701N**



### Functions

Fastening mechanism of bottom-hung windows for external application, made of extruded aluminium with polyamide internal guide.

## FRIZ STAY LIMITATION ARM

02030K

### Functions

Accessory utilised to limit opening of the sash when movement of the sash is restricted by obstacles such as uprights or walls.

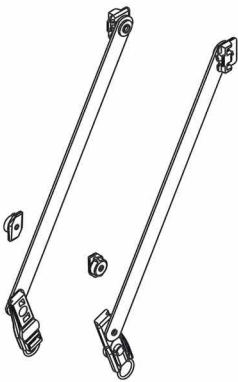


## BOTTOM-HUNG WINDOWS RALLENTY

02040K

### Functions

The arm delimits the opening of a bottom-hung aluminum window slowing its stroke in the stopping phase. Long type arm (250mm), for bottom-hung window with standard height.

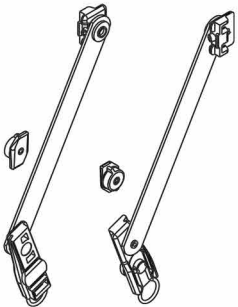


## RALLENTY SHORT ARM

02041K

### Functions

The arm delimits the opening of a bottom-hung aluminum window slowing its stroke in the stopping phase. Short type arm (150mm), for bottom-hung window with standard height.

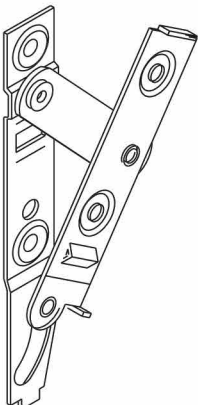


## HINGE FOR BOTTOM HUNG WINDOW

02051

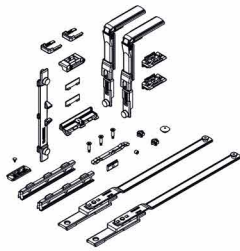
### Functions

Hinge for bottom-hung windows, fast assembly and secure fixing. Enables opening a bottom-hung window without and hinges being exposed to view.



## FUTURA HORIZONTAL SECURITY SASH MECHANISM

01175K



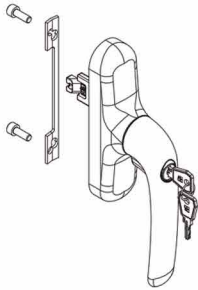
### Functions

Hardware kit for making two different types of casement:

- Side-hung security sash (with cremone at 0° sash closed, at 90° partly open and at 180° fully open) with the arms positioned on the beams.
- Heavy bottom-hung window with load capacity up to 250KG and perimetral closing.

## PRIMA KEY CAPTURE CREMONE

01192



### Functions

Reversible cremone handle, with key lockable pull handle, with 90° rotation (side-hung window) or 90° and 180° (tilt & turn window) and opening / closing positioning notch.



## CHIC - T1 ARM T&T KIT

**043551**

### Functions

Set of hinges (top and bottom), completely pre-assembled and ready to be installed on the profile.

### Capacities

Up to 100KG



## CHICH T1 ARM T&T KIT

**043552**

### Functions

Set of hinges (top and bottom), completely pre-assembled and ready to be installed on the profile.

### Capacities

Up to 100KG



## CHICH T2 ARM T&T KIT

**043561**

### Functions

Set of hinges (top and bottom), completely pre-assembled and ready to be installed on the profile.

### Capacities

Up to 100KG



## CHICH T2 ARM T&T KIT

**043562**

### Functions

Set of hinges (top and bottom), completely pre-assembled and ready to be installed on the profile.

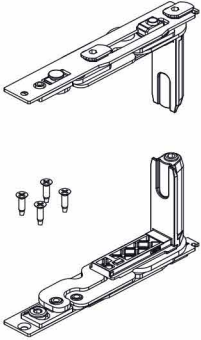
### Capacities

Up to 100KG

Giesse Accessories Have Been Incorporated and Tested In NAPCO Systems Can Be Warranted Only Using The Accessories Listed In This Official Catalogue

## CHICH - SASH HINGE SET

043541



**Functions**

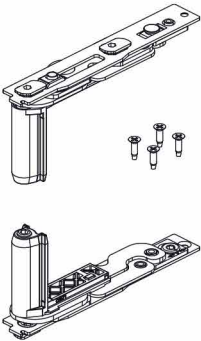
Set of Hinges (top and bottom) for side-hung or secondary sash with tilt & turn CHIC 3D 100.

**Capcities**

Up to 100KG

## CHICH - SASH HINGE SET

043542

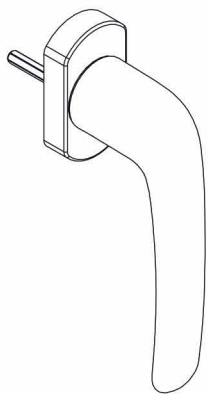


**Functions**

Set of Hinges (top and bottom) for side-hung or secondary sash with tilt & turn CHIC 3D 100.

**Capcities**

Up to 100KG

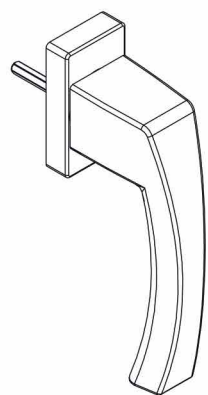


## NP SUPRA - PRIMA WINDOW HANDLE

**03962**

### Functions

Reversible window handle for operating Sash and Tilt & Turn NP SUPRA window handles.

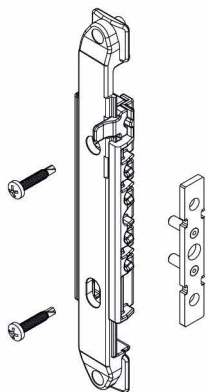


## NP SUPRA - ASIA WINDOW HANDLE

**03963**

### Functions

Reversible window handle for operating Sash and Tilt & Turn NP SUPRA window handles.

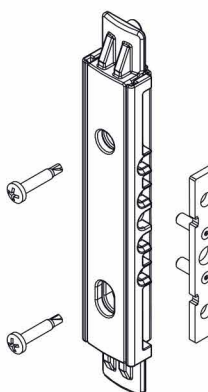


## NP SUPRA - T&T HARDWARE

**0395301**

### Functions

One-way window handle, can be operated with the NP SUPRA window handle, for operating Tilt & Turn fastening window handles.



## NP SUPRA - SASH HARDWARE

**03954**

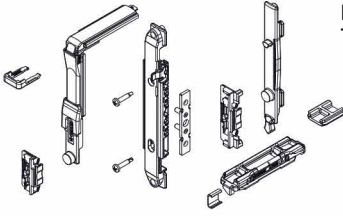
### Functions

Two-way window handle, can be operated with the NP SUPRA window handle, for operating Sash fastening window handles.

Giesse Accessories Have Been Incorporated and Tested In NAPCO Systems Can Be Warranted Only Using The Accessories Listed In This Official Catalogue

## NP SUPRA - T&T MECHANISM

0395501



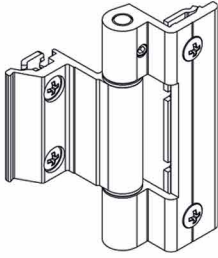
### Functions

Tilt & turn window fastening mechanisms for NP SUPRA window handle, available in Base and Logica versions.

Giesse Accessories Have Been Incorporated and Tested In NAPCO Systems Can Be Warranted Only Using The Accessories Listed In This Official Catalogue

## BRIDGE 2 HINGE

00600N



### Functions

Clamp hinge for lightweight windows and door fixtures made with channel profile.

## GS HD ARM-TS HUNG 10"-TYPE EGR.

08349



### Functions

Pair of arms (RH and LG) suitable for Top and Side Hung outward opening aluminium windows. The arms are fitted extremely quickly to the window, even when it is already assembled.

## GS HD ARM-TS HUNG 16"-TYPE EGR.

08350



### Functions

Pair of arms (RH/LG) for outward opening (side hung) or top hung aluminium windows. The arms are fitted extremely quickly to the window, even when it is already assembled.

## GS HD ARM-TOP HUNG 22"-TYPE EGR.

08351



### Functions

Pair of arms (RH/LH) for outward opening (side hung) or top hung aluminium windows. The arms are fitted extremely quickly to the window, even when it is already assembled.



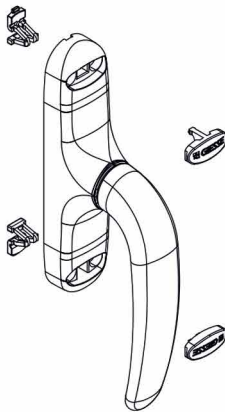
## GS HD ARM-TOP HUNG 28''-TYPE EGR.

**08352**

### Functions

Pair of arms (RH/LG) for outward opening (side hung) or top hung aluminium windows.

The arms are fitted extremely quickly to the window, even when it is already assembled.



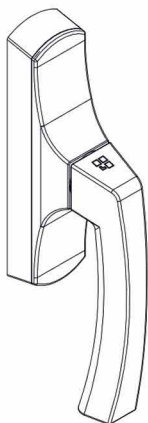
## UNICA SYSTEM CREMONE

**01150001**

### Functions

Cremone with no internal components.

Depending on need, it can be transformed into a Cremone for inward opening, outward opening casement or tilt & turn by using the specific kits (also supplied complete with the lock points).



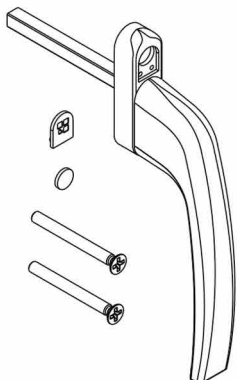
## ASIA OUTWARD 0-180° CREMONE

**01063**

### Functions

Cremone with no internal components.

Depending on need, it can be transformed into a Cremone for inward opening, outward opening casement or tilt & turn by using the specific kits (also supplied complete with the lock points)



## BAS WINDOW HANDLE

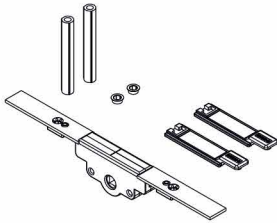
**02491**

### Functions

The Bas window handle is ideal for operating mechanisms with rotors designed to be actuated by the 7mm square pin, such as the Champion Plus multilock or the M90 or M180 internal mechanisms.

## GHIBO OUT 32" ONE-WAY MECHANISM

04084

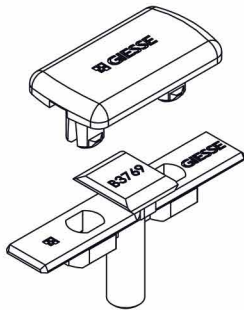


### Functions

The one-way Ghibo out internal mechanism is housed in the hollow section of the profile and, via a window handle, moves the rods and locking points of outward-opening side-hung windows.

## ROD PULL DEVICE

04099001

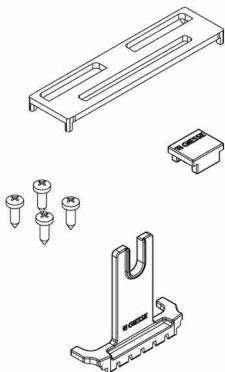


### Functions

Component for connection Unica one-way cremones with rods of an aluminum window profile.

## KIT FOR OUTWARD OPENING UNICA SYSTEM

02409

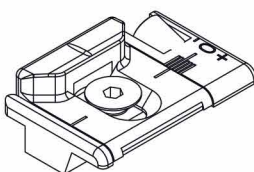


### Functions

Components that, added to the Unica Cremone without internal components, make it possible to transform it into a finished product.

## FUTURA ADJUSTABLE STRIKER

02491

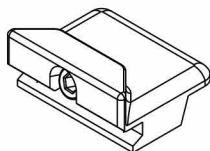


### Functions

Striker specifically designed for use with fixed (art. 04027K) or adjustable (art. 04030K) fastener pawl.

### STRIKER FOR ADJUSTABLE FASTENER PAWL

01343K



**Functions**

Striker specifically designed for use with adjustable pastener pawl (art. 04030K)

### FUTURA FIXED PAWL

04027K

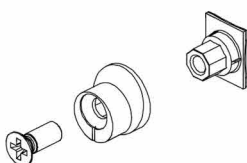


**Functions**

Fixed pawl, to be combined with the adjustable striker, required to create supplementary locking points in addition to those already supplied with the basic mechanism.

### ADJUSTABLE LOCKING PAWL

04030K

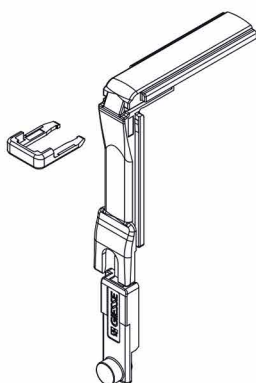


**Functions**

Closing element to be fitted directly on the rods in the series.

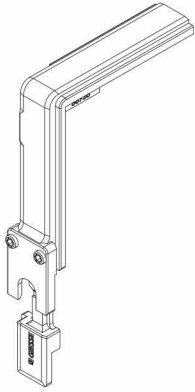
### CORNER DRIVE GROOVE 15/20 FUTURA

04019K



**Functions**

Component for moving the hardware from the cremone side to the upper and / or lower corss-beam



## FUTURA CORNER DIRVE

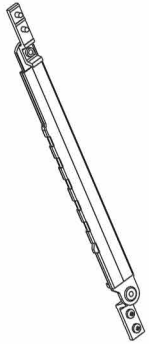
04020K

### Functions

Corner drive allowing the transfer of the movement from the upright to the corss-beam of the fixture and vice versa

## LASET TELESCOPIC UNIT

01954

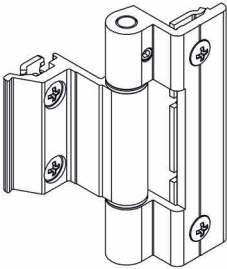


### Functions

Mechanism to use to construct top-hung windows. Allows opening of windows in 5 different positions.

## BRIDGE 2 HINGE

**00600N**

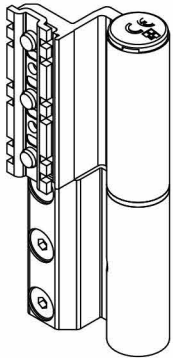


### Functions

Clamp hinge for lightweight windows and do or fixtures made with channel profile.

## FLASH XL HINGE

**00535V**

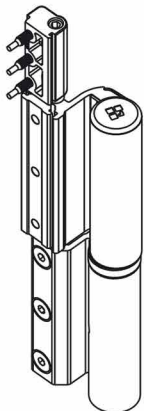


### Functions

Clamp door hinge for profile with channel  
Adjustable in tow directions with door installed.

## FLASH XXL HINGE

**00598N**

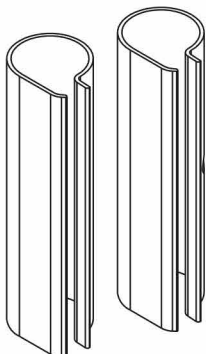


### Functions

Hinge for heavy doors mad with window profile  
Fixing to the profile is achieved by means of slip-on plates, as for traditional window hinges

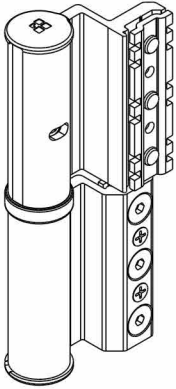
## COVER, FLASH XXXL HINGE

**00599**



### Functions

Cover for FLASH XXL hinges for heavy doors for customization of the hinge, in compliance with the customer;s requirements.  
Application of the cover once the window has been installed prevents damage to exposed parts of the hinge during the operations of assembly, transport and installation

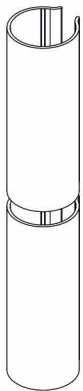


## LINEA 3D HINGE

**00568N**

### Functions

Clamp door hinge for profile with channel, adjustable in three directions with door installed. The hinge bodies remain aligned in whatever side adjustable position is selected. For combination with paintable aluminium covers purchased separately from the hinge.



## COVER, LINEA 3D HINGE

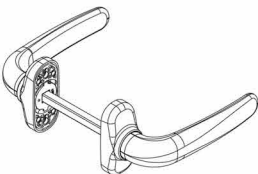
**00589**

### Functions

Cover for LINEA 3D door hinge for customization of the hinge, in compliance with the customer's requirements. Application of the cover once the window has been installed prevents damage to exposed parts of the hinge during the operations of assembly, transport and installation

## PRIMA PLUS HANDLE

**02792**

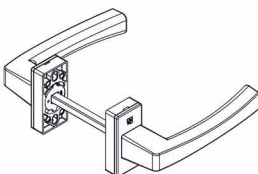


### Functions

Double aluminium handle reversible with stop, for fitting on the upright or centre rail of the door.

## ASIA DOOR HANDLES

**02414**

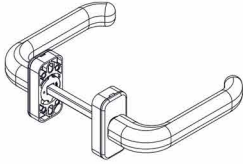


### Functions

Pair of aluminium handles, reversible with stop, for fitting on the upright or centre rail of the door.

### MASTER PLUS HANDLE

02422

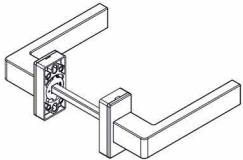


#### Functions

Pair of aluminium handles, reversible with stop, for fitting on the upright or centre rail of the door

### KORA DOOR HANDLE

02563

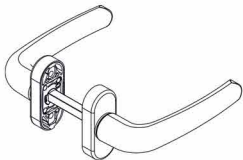


#### Functions

Pair of aluminum handles, reversible with stop, for fitting on the upright or centre rail of the door

### QUICK-FIT PRIMA HANDLE

02424N

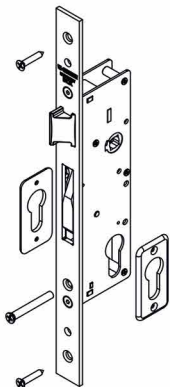


#### Functions

Pair of handles, with quick-fit fixing system, for fitting on the upright or centre rail.

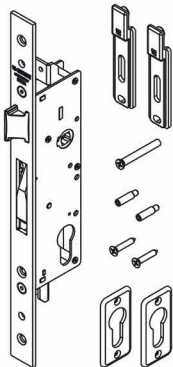
### SPRING LATCH AND BOLT LOCK

0461501



#### Functions

Central lock with front closing, slip-on version for aluminium uprights, with adjustable spring latch and tilting bolt.



## LOCK FOR DOORS

**0462801**

### Functions

Central lock, slip-on version for aluminium stiles, with adjustable spring latch and tilting bolt, ready for rod connection for top/bottom fastening mechanism.



## COUNTERPLATE FOR DOOR LOCKS

**04630**

### Functions

Adjustable stainless steel counterplates to be combined with the door locks.



## BALCONY DOOR LOCK - BOLT

**04646**

### Functions

Central lock, slip on version for aluminium uprights, with two-way movement via rotation of the handle. 35mm backset.



## BALCONY DOOR LOCK COUNTERPLATE

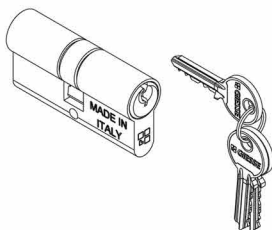
**04655**

### Functions

Adjustable stainless steel counterplates to be combined with the door locks.

### DOUBLE CYLINDER EUROPEAN PROFILE

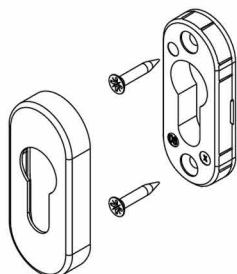
04492N



**Functions**  
European profile double cylinder.

### CYLINDER COVER PLATE

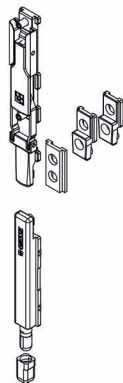
02430



**Functions**  
Cylinder cover plate with European profile.

### CHANNEL TOTEM BOLT

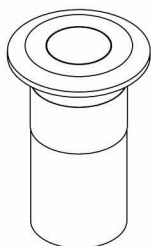
02074



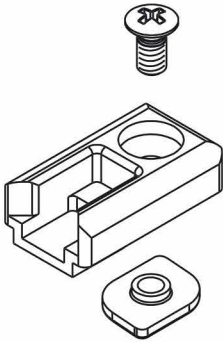
**Functions**  
One-way lever bolt to mount in a channel, indicated in doors made with window profile.

### TRESHOLD BUSH WITH SHITTER

02144



**Functions**  
Floor bush, for doors or windows without counter-frame, where it is necessary to use the threshold as account-er-frame.



## 3RD FASTENING MACHANISM AND RODS STRIKER

01314K

### Functions

Component produced for application to the top and bottom part of the frame of fixtures with one or more sashes, having the function of accommodation GIESSE bolt tips and terminals, or appropriately machined operating rods.





**IRCCOS S.r.l.**

Istituto di Ricerca e Certificazione per le Costruzioni Sostenibili

Notified Body No. 1994 in accordance with Regulation CPR (UE) No. 305/2011

## TEST REPORT

*Number:*

**1994-CPR-RP1695**

*Issuing date:*

**2018-07-02**

*Applicant:*

**National Aluminium Products Company Saog  
P.O. Box 15 Rusayl, PC 124  
Sultanate of Oman**

*Tested product:*

**Casement window 45mm  
with trade name given by the applicant  
“N 45”**

*(cf. description)*

*Executed tests:*

**Air permeability  
Watertightness  
Resistance to wind load**

*Normative references:*

**EN 14351-1:2006+A2:2016  
EN 1026:2016    EN 12207:2017  
EN 1027:2016    EN12208:1999  
EN 12211:2016    EN 12210:2016**

*The report is done up of 26 pages, including any annex, and can be reproduced only integrally, any partial reproduction must be authorized in writing by IRCCOS.*

*The results included in the Test Report refer exclusively to the tested objects, identified in the present Test Report.*

- 9 Resume of classes assigned on the basis of the results of the tested sample of a Casement Window 45mm, with trade name given by the applicant “N 45”, according to TR No 1994-CPR-RP1695, issued on 2018/07/02 to National Aluminium Products Company Saog, wholly referred to.

Test	Test standard	Classification standard	Obtained Class
Air permeability	EN1026:2016	EN 12207:2017	class 4
Water tightness	EN1027:2016	EN 12208:1999	class 9A
Resistance to wind load	EN12211:2016	EN 12210:2016	class C5

## 10 Retention of samples

The test sample has to be retained at least until the Test Report emission.

**Technical Operator**

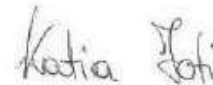
*Andria Cadei*



IRCCOS S.r.l.  
Istituto di Ricerca e Certificazioni  
per le Costruzioni Sostenibili  
via Grandi n° 17, 21017 Samarate  
C.F./P.IVA 05159630960

**Laboratory Manager**

*Katia Foti*



-----End of the Test Report No. 1994-CPR-RP1695-----

Section No	Page No
10054	59
10139	53
10288	56
10751	56
10806	55
10903	58
10971	55
10972	55
11051	56
11217	54
11218	54
11219	54
11221	58
11223	53
11224	54
11226	16
11523	58
11743	59
11744	57
11745	57
11746	59
11975	54
11976	55
12150	15
12165	53
12214	54
12239	16
12592	55
14364	53
14365	17
14366	54
14367	54
14368	54
14369	54
14372	56
14970	54
20009	31
20894	51
20901	51
20960	60
20962	13

Section No	Page No
20963	14
20966	14
21171	11
21172	19
21173	34
21174	26
21175	37
21176	60
21177	51
21178	41
21179	32
21180	43
21181	49
21865	47
21924	48
21944	22
21945	25
21946	40
21947	42
21988	10
22012	52
22013	43
22014	41
22336	9
22357	20
22404	14
22406	13
22408	13
22409	33
22417	11
22616	28
24132	28
24133	20
24405	31
24484	33
24485	30
24486	43
24487	40
24488	47
24489	23
24490	19

Section No	Page No
24491	26
24492	49
26434	50
60020	42
60040	9
60041	11
60042	22
60043	21
60044	21
60045	36
60046	37
60047	25
60048	32
60049	33
60050	40
60051	42
60052	47
60053	48
60054	34
60055	49
60056	51
60057	52
60078	23
60079	27
60080	44
60081	24
60082	29
60084	24
60085	44
60086	27
60087	39
60096	38
60097	29
60100	50
60101	44
60102	38
60104	12
60105	30
60109	12
60110	45
60124	46







**NATIONAL ALUMINIUM  
PRODUCTS COMPANY SAOG**

**OMAN**

Corporate Office and Factory  
National Aluminum Products Co.  
PO Box 15, Rusayl, PC 124, Sultanate of Oman  
Phone: +968 24446450, Fax: +968-24446453  
Email: sales@napco.co.om, info@napco.co.om

**UAE**

National Aluminum Products Co. - Branch Office  
PO Box 116912, Dubai,  
Office 34, Shuraa Business Center  
6C Al Abraj St, Business Bay, 29th floor-Prime Tower-Dubai  
Phone: +971 045236200

**INDIA**

NAPCO Extrusions India LLP  
4 , Odyssey IT Park,  
Road No. 9, Wagle Industrial Estate,  
Thane ( West ) - 400604.  
Phone: +91 2220814444

**[www.napcooman.com](http://www.napcooman.com)**